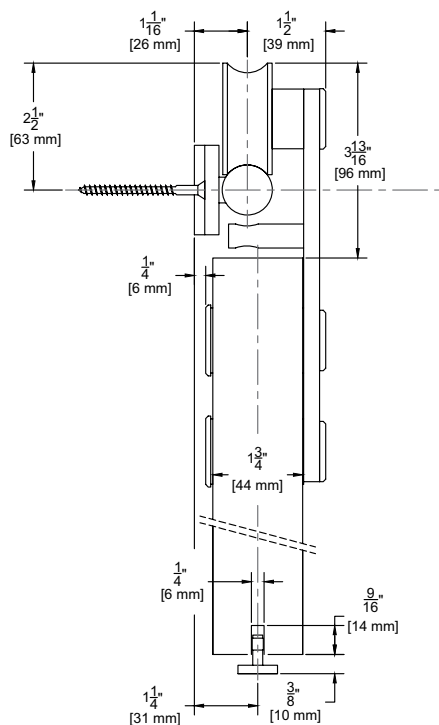


Stainless Steel Sliding Track Hardware System

W100 Series for Wood Doors

For Sliding Panels up to 198 lbs.



Configurations:

- Single
- Bi-parting

Installations:

- Side Wall Mount (only)

Features:

- Made of 304 stainless steel
- Nylon coated stainless steel wheel for smooth operation
- 198 lb. panel capacity
- 5 year warranty

Finishes:

- Brushed Stainless Steel (W100)
- Dark Bronze Stainless Steel (W100D)
- Polished Stainless Steel (W100P)

Kits Include:

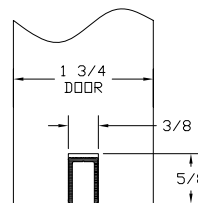
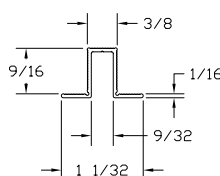
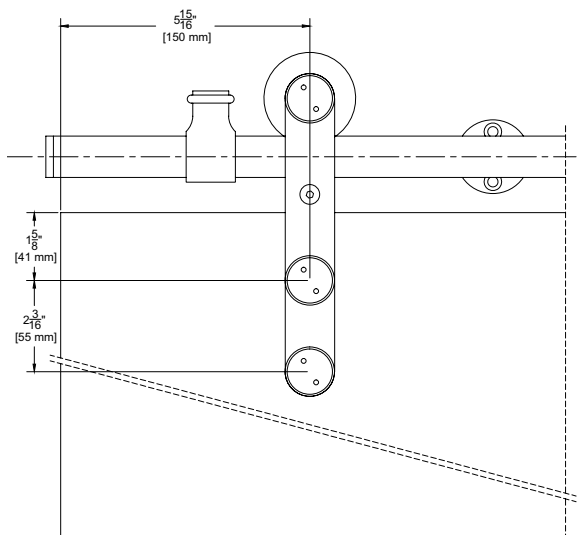
- 1 ea **BAR/_** Stainless Steel Track
- **BRACKET2** Stainless Steel Wall Brackets
- 2 ea **111** Stainless Steel Hangers
- 1 ea **WOODGUIDE** Stainless Steel Guide
- 2 ea **STOP2** Stainless Steel Stops Mounting Hardware

Note: If ordering individual parts in the optional Dark Bronze or Polished finishes, be sure to include a prefix "D" for Dark Bronze or "P" for Polished Stainless

Standard Kit Sizes			
Part Number	Material	Track Length	Door Width
W100/6	304 Stainless Steel	78 ³ / ₄ "	36"
W100/8	304 Stainless Steel	98 ⁷ / ₁₆ "	48"
W100D/6	304 Dark Bronze Stainless Steel	78 ³ / ₄ "	36"
W100D/8	304 Dark Bronze Stainless Steel	98 ⁷ / ₁₆ "	48"
W100P/6	304 Polished Stainless Steel	78 ³ / ₄ "	36"
W100P/8	304 Polished Stainless Steel	98 ⁷ / ₁₆ "	48"

Options: See page SF-37

- Bottom Channel **94A**
- Roller Guide **106R/94**
- Mortise Guides **102N**
- Polypropylene Guide Rail **EPD3BL**



NOTE: Alternate route dimension when using optional EPD3BL

ASSA ABLOY

The global leader in door opening solutions