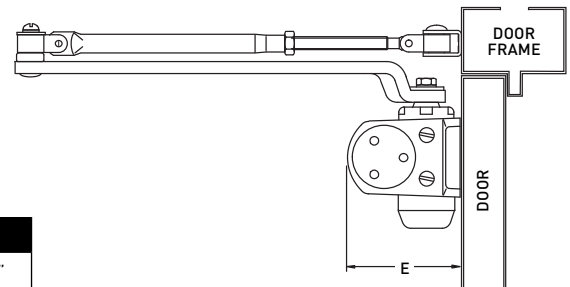
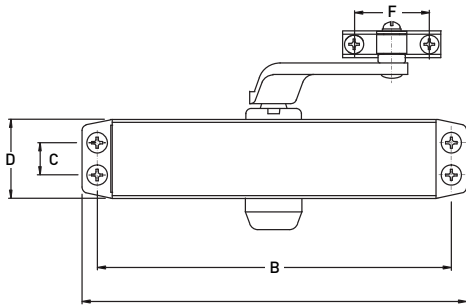


DOOR CLOSERS

600/620 SERIES

GRADE 3

BUILDER PACK



	A	B	C	D	E	F
14-602AL	7-15/16" (186mm)	6-5/8" (168mm)	3/4" (19mm)	1-23/32" (44.5mm)	2-5/8" (67mm)	1-17/32" (39mm)
14-603AL	8-3/4" (223mm)	8-1/8" (206mm)	3/4" (19mm)	1-3/4" (44.5mm)	2-7/8" (72mm)	1-17/32" (39mm)
14-604AL	9-3/4" (248mm)	9-1/16" (230mm)	3/4" (19mm)	1-3/4" (44.5mm)	2-7/8" (72mm)	1-17/32" (39mm)
14-623AL	7-15/16" (186mm)	6-5/8" (168mm)	3/4" (19mm)	1-3/4" (44.5mm)	2-5/8" (67mm)	1-17/32" (39mm)

SIZE	MAXIMUM RECOMMENDED DOOR SIZE & WEIGHT	ALUMINUM	CASE PACK
2	36" x 84" - (90cm x 210cm) 55-100 lbs / (25-45 kg)	14-602AL	10
3	38" x 84" - (95cm x 210cm) 88-144 lbs / (40-64 kg)	14-603AL	10
		14-1623C26 (POLISHED CHROME FINISH ON COVER & ARM)	
4	42" x 96" - (105cm x 240cm) 132-187 lbs / (60-84 kg)	14-604AL	10

SIZE	MAXIMUM RECOMMENDED DOOR SIZE & WEIGHT	ALUMINUM	CASE PACK
3	38" x 84" - (95cm x 210cm) 88-144 lbs / (40-64 kg)	14-623AL	10

FEATURES

- MEETS OR EXCEEDS THE REQUIREMENTS OF BHMA/ANSI 156.4 GRADE 3
- UL AND c-UL LISTED COMPLIANT UL10C FOR POSITIVE PRESSURE
- HIGH STRENGTH ALUMINUM ALLOY BODY
- NON-HANDED
- TWO INDEPENDENT ADJUSTABLE VALVES CONTROL SWEEPING AND LATCHING SPEED
- UNIVERSAL MOUNTING (REGULAR AND PARALLEL BRACKETS INCLUDED)
- SUPPLIED WITH BOTH MACHINE AND WOOD SCREWS
- 5 YEAR WARRANTY