

SIMONSWERK

TECTUS®

TE 640 3D

for unrebated high performance heavy-duty doors

hinge up to 200 kg

Technical Details

Load capacity	200,0 kg
Length (door/frame)	240,0/240,0 mm
Width (door/frame)	32,0/32,0 mm
Cutter diameter	24,0 mm

Descriptive Text

SIMONSWERK TECTUS TE 640 3D Hinge Completely concealed for unrebated, heavy-duty doors with timber, steel and aluminium frames. UL-certified, with comfortable 3D adjustment, load capacity 200 kg, opening angle up to 180°, overall length 240 mm, right hand and left hand applicable, maintenance-free slide bearings, three-dimensionally adjustable: side +/- 3 mm, height +/- 3 mm, compression +/- 1 mm. Finish ...

Note

Finger protection due to a small gap between door and frame

Functional areas

soundproof, burglar resistance und Fire resistance, Smoke resistance

Quality Marks

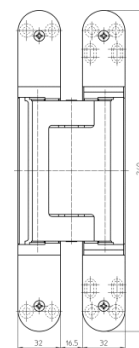


Combination

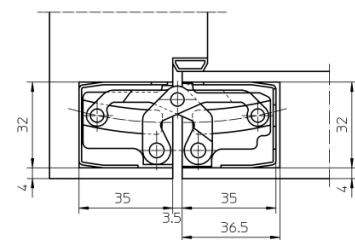
Receiver	casing frame	TE 640 3D FZ/1
	steel frame	TE 640 3D SZ

Installation aids

universal milling frame	
Template No. 5 250659 5	step 1
Template No. 5 250689 5	step 2



front view



block frame

SIMONSWERK

TECTUS®

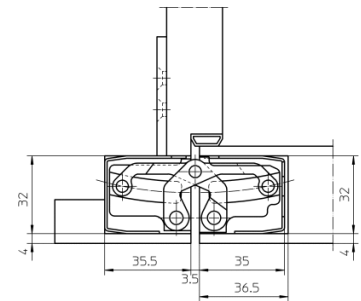
TE 640 3D

for unrebated high performance heavy-duty doors

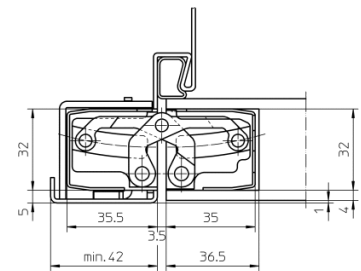
hinge up to 200 kg

Items (DIN direction: DIN right and left hand applicable)

finish(es)	polished brassed
Packing unit	Pack of 2
Item number	5 400582 0 03002
finish(es)	polished nickelled
Packing unit	Pack of 2
Item number	5 400582 0 03802
finish(es)	powder coated
Packing unit	EUR pallet
Item number	5 400582 0 07975
finish(es)	F1 powder coated
Packing unit	Pack of 2
Item number	5 400582 0 12402
finish(es)	F2 powder coated
Packing unit	Pack of 2
Item number	5 400582 0 12502
finish(es)	stainless steel look
Packing unit	Pack of 2
Item number	5 400582 0 12602



casing frame



steel frame