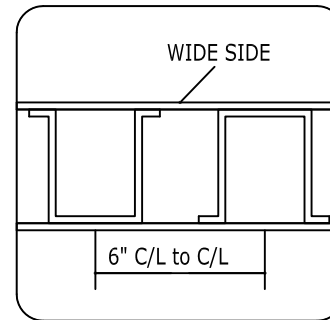
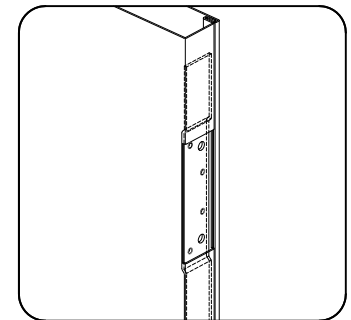


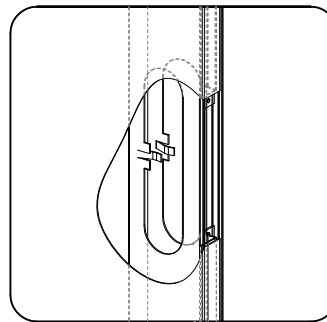
A. CLOSER REINFORCEMENT / TOP CHANNEL
14 ga. closer reinforcement, fitted to 16 ga. inverted top channel



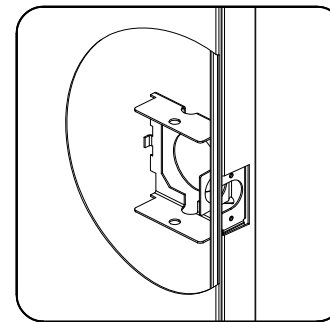
B. Laminated 20 GA. stiffeners
voids filled with fiberglass



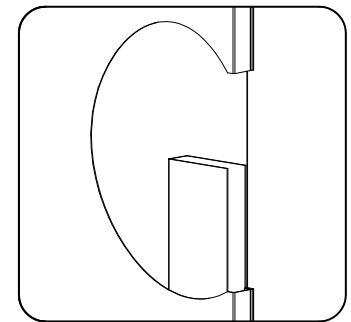
C. HINGE REINFORCEMENT
10 GA. (20GA DOOR)
7 GA. (18, 16GA DOOR) universal for standard or heavy weight 4.5" high template butt hinges



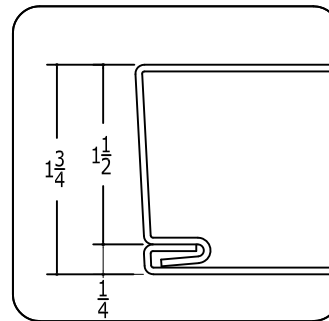
D. ANSI A115.1 #86 MORTISE LOCK REINFORCEMENT
14 ga. reinforcement with lock guide
D & T for #12-24 screw



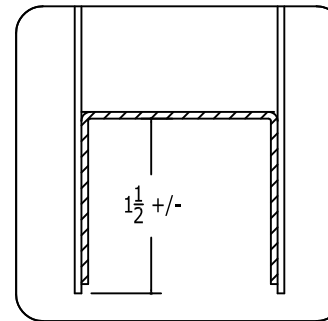
*D. ANSI A115.2 #161 LOCK REINFORCEMENT (SHOWN)
14 ga. reinforcement, 2-3/4" backset
D & T for #8-32 screw



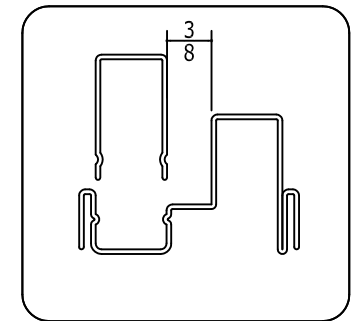
D. RIM PANIC REINFORCEMENT
14 ga. reinforcement
(includes reinforcement for surface vertical rod or surface bolts)



E. BEVELLED EDGES
LOCK SEAM DESIGN
1/8" IN 2"



F. BOTTOM CHANNEL
16 gauge inverted bottom channel



G. WHI LISTED DOOR GLAZING KIT (Snap in bead)
* GLASS BY OTHERS

TECHNICAL SPECIFICATION:

Material:
A40 Galvanneal
18 Gauge
16 Gauge

Options include:
* Continuously welded edge seam
* Seamless edges (tack weld and body filler)
* Urethane insulation

Drawing No. D5

Date: 06/05/2014

STEEL STIFFENED DOOR

Drawn by: LX

PROJECT:

DAYBAR

SHEET:

○ OF ○