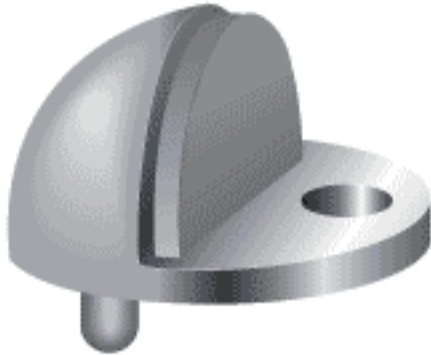


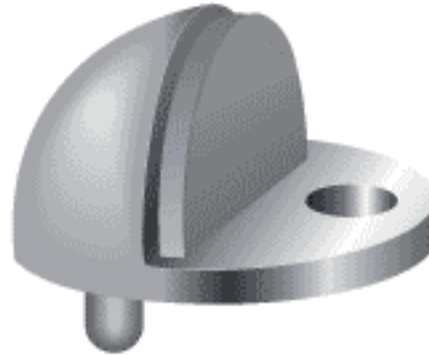


# FLOOR STOPS S SERIES

**S100** DOME DOOR STOP



**S101** HEAVY DUTY DOME DOOR STOP



**DOME DOOR STOP**

**S100**

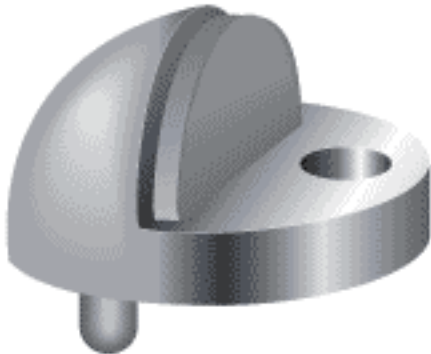
- 1.875" (47.625) DIAM. x 1" (25.4) HIGH x 0.25" (6.35) RISE
- 1 PIECE ZINC DIE CAST CONSTRUCTION
- 0.125 LBS. EACH (0.056KG.)
- SUPPLIED WITH SCREWS & SHIELDS
- STANDARD FINISHES

**HEAVY DUTY DOME DOOR STOP**

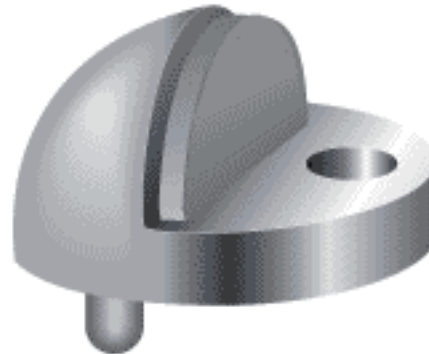
**S101**

- 1.875" (47.625) DIAM. x 1" (25.4) HIGH x 0.25" (6.35) RISE
- SOLID 1 PIECE BRASS OR BRONZE CASTING
- 0.25 LBS. EACH (0.126KG.)
- SUPPLIED WITH SCREWS & SHIELDS
- STANDARD FINISHES

**S102** DOME DOOR STOP



**S103** HEAVY DUTY DOME DOOR STOP



**DOME DOOR STOP**

**S102**

- 1.875" (47.625) DIAM. x 1.312" (33.34) HIGH x 0.5" (12.7) RISE
- 1 PIECE ZINC DIE CAST CONSTRUCTION
- 0.187 LBS. EACH (0.085KG.)
- SUPPLIED WITH SCREWS & SHIELDS
- STANDARD FINISHES

**HEAVY DUTY DOME DOOR STOP**

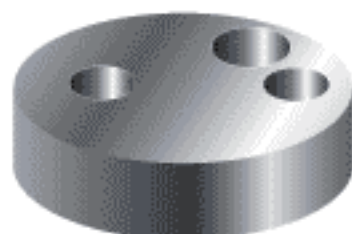
**S103**

- 1.875" (47.625) DIAM. x 1.312" (33.34) HIGH x 0.5" (12.7) RISE
- SOLID 1 PIECE BRASS OR BRONZE CASTING
- 0.375 LBS. EACH (0.176KG.)
- SUPPLIED WITH SCREWS & SHIELDS
- STANDARD FINISHES

**S104** 0.25" (6.35) DOME DOOR STOP RISERS

**S105** 0.5" (12.7) DOME DOOR STOP RISERS

**S106** 0.75" (19.05) DOME DOOR STOP RISERS



**DOOR STOP RISER**

**S104 - 106**

- ZINC DIE CAST CONSTRUCTION
- SUPPLIED WITH SCREWS & SHIELDS
- STANDARD FINISHES



# FLOOR STOPS S SERIES

**S107** HEAVY DUTY FLOOR STOP



**S108** HEAVY DUTY FLOOR STOP



**HEAVY DUTY FLOOR STOP**

**S107**

- 2.375" (60.325) HIGH x 2" (50.8) DIAM. BASE
- SOLID BRASS OR BRONZE CAST
- STANDARD FINISHES
- SUPPLIED WITH WOOD SCREWS

**HEAVY DUTY FLOOR STOP**

**S108**

- 3" (76.2) HIGH x 2" (50.8) DIAM. BASE
- SOLID BRASS OR BRONZE CAST
- STANDARD FINISHES
- SUPPLIED WITH WOOD SCREWS

**S109** HEAVY DUTY FLOOR STOP



**S110** HEAVY DUTY FLOOR STOP



**HEAVY DUTY FLOOR STOP**

**S109**

- 3" (76.2) HIGH x 2.25" (57.15) DIAM. BASE
- SOLID BRASS CASTING
- C3 OR 26D ONLY
- SUPPLIED WITH WOOD SCREWS

**HEAVY DUTY FLOOR STOP**

**S110**

- 2.75" (69.85) HIGH x
- 2.625" (6.67) DIAM. BASE
- STANDARD FINISHES
- SUPPLIED WITH MACHINE BOLT AND SHIELD.

**S111** DOOR HOLDER



**S112** DOOR HOLDER



**HEAVY DUTY DOOR HOLDER**

**S111**

- 5" (127.0) HIGH
- BRASS CASTING
- STANDARD FINISHES

**DOOR HOLDER**

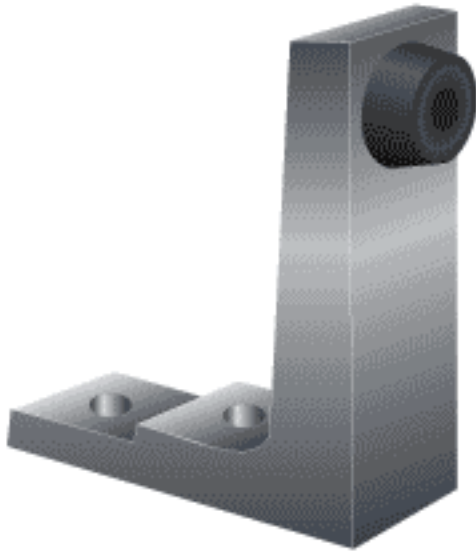
**S112**

- 5" (127.0) HIGH x
- ZINC DIE CAST
- 26D ONLY

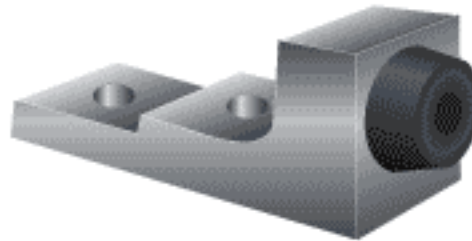


# FLOOR STOPS S SERIES

**S113** HEAVY DUTY FLOOR STOP



**S114** HEAVY DUTY FLOOR STOP



**HEAVY DUTY FLOOR STOP**

**S113**

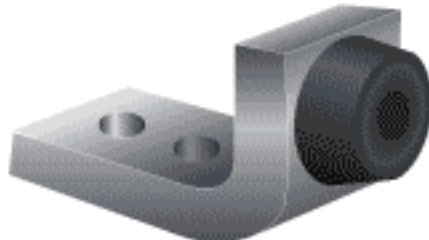
- 3.5" (88.9) HIGH x 3.375" (85.725) LENGTH x 1.25" (31.75) WIDTH
- CAST BRASS OR BRONZE
- STANDARD FINISHES
- SUPPLIED WITH LAG BOLTS AND SHIELDS

**HEAVY DUTY FLOOR STOP**

**S114**

- 1.5" (38.1) HIGH x 3.75" (85.725) LENGTH x 1.25" (31.75) WIDTH
- CAST BRASS OR BRONZE
- STANDARD FINISHES
- SUPPLIED WITH LAG BOLTS AND SHIELDS

**S115** HEAVY DUTY FLOOR STOP



**HEAVY DUTY FLOOR STOP**

**S115**

- 1.5" (38.1) HIGH x 2" (50.8) LENGTH x 1" (25.4) WIDTH
- SOLID ALUMINUM, BRASS OR ST. STEEL
- STANDARD FINISHES
- SUPPLIED WITH SCREWS AND SHIELD

**S116** HEAVY DUTY FLOOR STOP



**HEAVY DUTY FLOOR STOP**

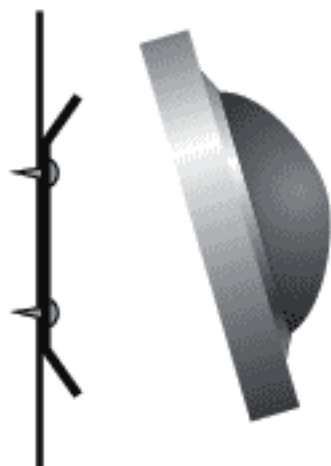
**S116**

- 1" (25.4) HIGH x 1" (25.4) DIAM.
- SOLID ALUMINUM, BRONZE, BRASS OR ST. STEEL
- STANDARD FINISHES
- SUPPLIED WITH HANGER BOLT AND SHIELD
-



# WALL STOPS S SERIES

## FOR A POSITIVE SECURE INSTALLATION

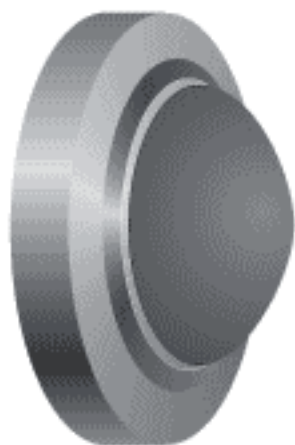


METAL BACKPLATE SECURES TO WALL WITH SCREWS AND SHIELDS

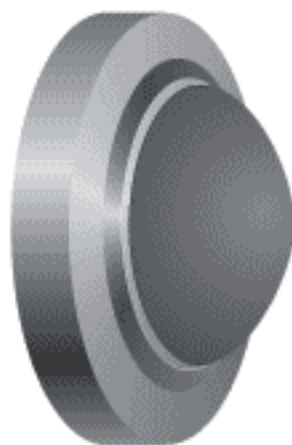


HOUSING AND RUBBER FITS OVER BACKPLATE AND SECURED WITH SET SCREW

**S120** CONVEX WALL STOP



**S121** HEAVY DUTY CONVEX WALL STOP



### CONVEX WALL STOP

**S120**

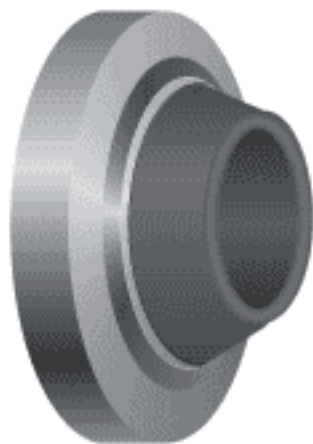
- 2.375" (60.325) DIAM. x 1" (25.4) PROJECTION
- ZINC DIE CAST
- 0.187 LBS EACH (0.085 KG.)
- COMPLETE WITH SCREWS AND SHIELDS
- ALL STANDARD FINISHES

### HEAVY DUTY CONVEX WALL STOP

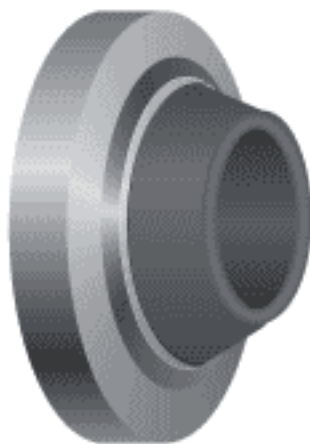
**S121**

- 2.375" (60.325) DIAM. x 1" (25.4) PROJECTION
- SOLID CAST BRASS OR BRONZE
- 0.375 LBS EACH (0.17 KG.)
- COMPLETE WITH SCREWS AND SHIELDS
- ALL STANDARD FINISHES

**S122** CONCAVE WALL STOP



**S123** HEAVY DUTY CONCAVE WALL STOP



### CONCAVE WALL STOP

**S122**

- 2.375" (60.325) DIAM. x 1" (25.4) PROJECTION
- ZINC DIE CAST
- 0.187 LBS EACH (0.085 KG.)
- COMPLETE WITH SCREWS AND SHIELDS
- ALL STANDARD FINISHES

### HEAVY DUTY CONCAVE WALL STOP

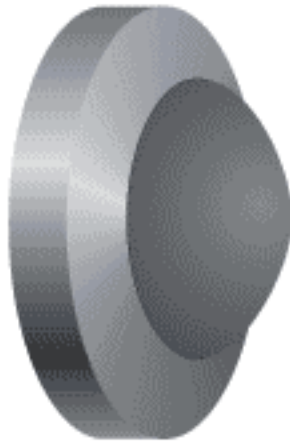
**S123**

- 2.375" (60.325) DIAM. x 1" (25.4) PROJECTION
- SOLID CAST BRASS OR BRONZE
- 0.375 LBS EACH (0.17 KG.)
- COMPLETE WITH SCREWS AND SHIELDS
- ALL STANDARD FINISHES

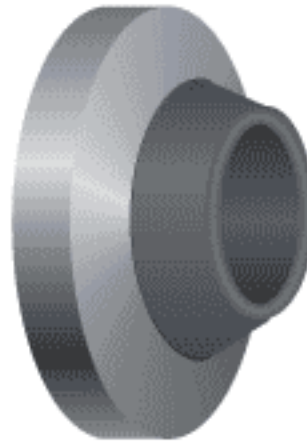


# WALL STOPS S SERIES

**S124** CONVEX WALL STOP



**S125** CONCAVE WALL STOP



### CONVEX WALL STOP

**S124**

- 2" (50.8) DIAM. x 1" (25.4) PROJECTION
- WROUGHT STAINLESS STEEL
- THROUGH THE RUBBER MOUNTING
- 32D FINISH

### CONCAVE WALL STOP

**S125**

- 2" (50.8) DIAM. x 1" (25.4) PROJECTION
- WROUGHT STAINLESS STEEL
- THROUGH THE RUBBER MOUNTING
- 32D FINISH

**S126** BUTTON PUSH-IN DOOR BUMPER



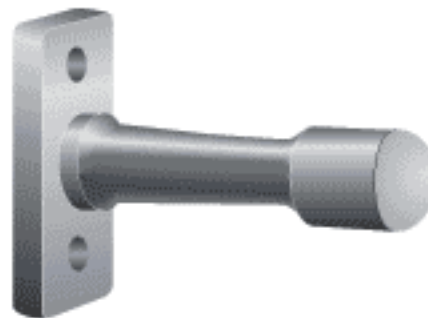
**S127** TAPED BACK RUBBER BUMPER



**S128** TAPED BACK RUBBER BUMPER



**S129** HEAVY DUTY BASEBOARD STOP



### BUTTON PUSH-IN DOOR BUMPER

**S126**

- 1" (25.4) DIAM. x 0.5" (12.9) PROJECTION
- WROUGHT BRASS
- BLACK RUBBER WITH FUSED PIN AND TAPE BACKING. SECURED BY PIN AND TAPE

### TAPED BACK RUBBER BUMPER

**S127**

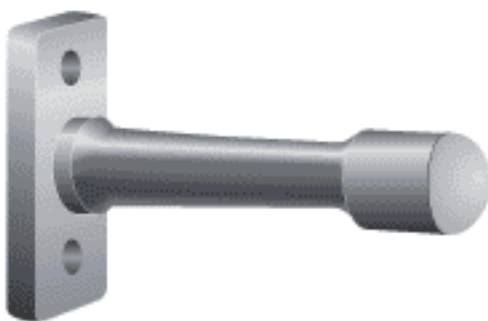
- 1.75" (50.8) DIAM. x 0.937" (23.8) PROJECTION
- GRAY RUBBER

### TAPED BACK RUBBER BUMPER

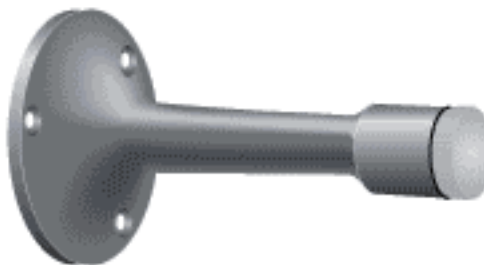
**S128**

- 1.5" (31.8) DIAM. x 0.937" (23.8) PROJECTION
- GRAY RUBBER

**S130** HEAVY DUTY BASEBOARD STOP



**S131** HEAVY DUTY BASEBOARD STOP



### HEAVY DUTY BASEBOARD STOPS

**S129**

- 2.75" (69.85) PROJECTION
- 1.25" (31.75) x 2.25" (57.15) BASE
- SOLID BRASS AND BRONZE CASTING
- STANDARD FINISHES
- SUPPLIED WITH WOOD SCREWS

**S130**

- 3.5" (88.9) PROJECTION
- 1.25" (31.75) x 2.25" (57.15) BASE
- SOLID BRASS AND BRONZE CASTING
- STANDARD FINISHES
- SUPPLIED WITH WOOD SCREWS

**S131**

- 3.5" (88.9) PROJECTION x 2.25" (57.15) DIAM.
- SOLID BRASS CASTING
- C3 AND 26D
- SUPPLIED WITH WOOD SCREWS