

Mullions: Aluminum, Steel and Electrified

80 Series

Aluminum Mullions			
Product Designation	650A	980	L980
Description	Removable	Removable	Lockable
Material	Aluminum	Aluminum	Aluminum
Standard Finish	US28/Satin Anodized Aluminum	Prime Coat	Aluminum Prime Coat
Options	Specify "650A x 10B" for 313AN to match 10B	Specify "980A" for Anodized US28/ Satin Aluminum	Specify: "L980A" Anodized Aluminum Specify: "L980A x 10B" for 313AN to match 10B
Stk Size	96"	96"	96"
Max Stk Height	120"	120"	120"
Pre-prepped	658 Strikes Included	No	No
Cylinder Size	Not Required	Not Required	#41
Shape	1-1/2" x 2-1/2"	T Shaped 2-1/2" x 3"	T Shaped 2-1/2" x 3"
Misc. Information and Accessories	Includes 651 Stabilizers and imbedded Weather Stripping Top Retainer 94-2050 Bottom Retainer 94-2051	Top Retainer - 511 Bottom Retainer - 502 Adapter for narrow transom: 507 - Aluminum Prime Coated 507A - Anodized Aluminum	All Cylinder Options Available Wall Mount Kit 98-2578 Top Ret Pack 98-2526 Bottom Ret Pack 98-2525 Cylinder Kit 980C1*

Electrified
EL980
Electrical Lockable
Steel
Gray Paint
Wall Mounting Kit: 98-2580 Top Ret Pack :98-2559
96"
120"
No
#46 Only
Rectangular 2" x 3"
For use with Electric Strikes and Monitoring, Quick Connect Wiring Supplied Cylinder Kit 980C2*

*Note: Cylinder Kits must be ordered separately

Steel Mullions					
Product Designations	HC980	980S	L980S	HCL980	12-HD980
Description	Hurricane Code	Standard Mullion	Lockable	Lockable Hurricane Code	Heavy Duty
Material	Steel	Steel	Steel	Steel	Steel
Fire Rated	Specify 12-HC980	Specify 12-980	Specify 12-L980	Specify 12-HCL980	Specify 12-HC980
Fire Rated Max Height	96"	96"	96"	96"	120"
Finish	Gray Paint	Gray Paint	Gray Paint	Gray Paint	Gray Paint
Stk Size	96"	96"	96"	96"	120"
Max Stk Height	96"	120"	120"	96"	120"
Pre-prepped	No	No	No	No	No
Cylinder Size	Not Required	Not Required	#41 Std (#42 & #43 available)	#41 Std (#42 & #43 available)	Not Required
Shape	Rectangular 2" x 3"	Rectangular 2" x 3"	Rectangular 2" x 3"	Rectangular 2" x 3"	Rectangular 2" x 3"
Misc. Information	Designed for severe wind load conditions due to hurricanes or windstorms. Tested to Dade County Protocols & ASTM Standards	For 12-8800 - Channel Iron & Malleable iron top & bottom retainers.	Fire rated for 8'0" x 8'0" paired openings	See Notes Below	12-HD980 is for pair of doors over 8'0" to 10'0" for use with 12-8800 Rim Exits includes two piece strikes
Accessories	Top Ret Pack - 98-2599 Bottom Ret Pack - 98-2600 Top Retainer Shim Kit - 601	Top Ret Pack - 98-2190 Bottom Ret Pack - 98-2191 Top Retainer Shim Kit - 601	Wall Mounting Kit - 98-2579 Top Ret Pack - 98-2559 Bottom Ret Pack - 98-2556 Top Retainer Shim Kit - 601 Cylinder Kit - 980C1*	- Top Retainer Pack: 98-2593 - Bottom Retainer Pack: 98-2594 - Top Retainer Shim Kit - 601 Cylinder Kit - 980C1*	Top Ret Pack - 98-2599 Bottom Ret Pack - 98-2600 Top Retainer Shim Kit - 601

*Note: Cylinder Kits must be ordered separately

Note for HC980/12-HC980 Mullions:

- Designed for severe wind load conditions due to hurricanes or tornadoes
- Tested to Dade County protocols and ANSI 250.13 ASTM Standards and FEMA 361
- 12- Fire labeled version
- Replacement lock kits are available for lockable mullions Part numbers for each model are listed in the price book

HCL980 Mullion Information

- Model 12-HC-L980 may be supplied for doors UL fire rated up to and including 3 hrs not exceeding 8 ft in width and height
- Meets the following standards: ANSI 250.13, ASTM E330, ASTM 1886, ASTM 1996, TAS 201, TAS 202 & TAS 203
- Designed for use with UL Classified HC8810, HC8800 and 12-HC8800 rim exit devices

Mullion Accessories and Stabilizers

80 Series

Mullion Accessories

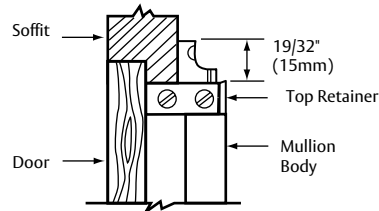
RK980

Latchbolt assembly retrofit kit with top and bottom retainers for 980 aluminum mullion



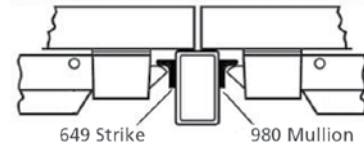
507 Narrow Transom Bars Adapter

- Available with 980 and 980A
- Required when soffit is 1-1/4" (32mm) to 2" (51mm) wide
- Order as a: 507 for 980 mullion or 507A for 980A mullion

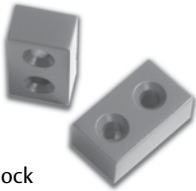


980S Mullion Application

- All steel mullions are 2" x 3"

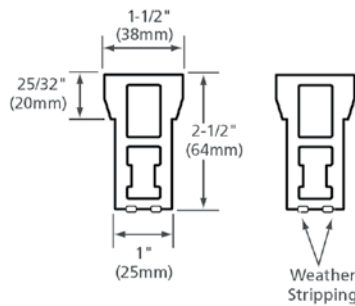


651 Mullion Stabilizer Kit

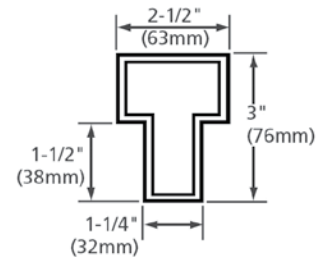


- Stabilizer block
- Furnished standard w/650A Mullion
- Order as a 651 Kit

650A Mullion



980 Mullion & L980 Lockable Mullion

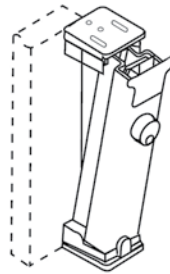


980C1 Cylinder Mullion Kit



- Lockable mullions only
- Aluminum and steel
- Includes cylinder and collar
- Available in 26D & 10B finish

Lockable Mullion



Lockable Mullion Cylinder Kit Options*

L980, L980A, L980S & HC-L980 mullions are available with these options: 10, 10-21-, 10-UL-, 10-63-, 11-, 11-21-, 11-60, 11-63-, 11-64-, 11-72-7P-, 11-65-73-7P-, 11-73-7P-, 21-, 22-, 60-, 63-, 64-, 70, 72-, 73-, 65-73-, 65-73-7P-, 73-7P-, 81-, 82-, F1-82-, 83-, F1-83-, 84-, SC- & SE-.

EL980 mullion is available with these options:

10, 10-21-, 10-UL-, 10-63-, 11-, 11-21-, 11-60, 11-63-, 11-64-, 11-72-7P-, 11-65-73-7P-, 11-73-7P-, 21-, 22-, 60-, 63-, 64-, 70, 72-, 73-, 65-73-, 65-73-7P-, 73-7P-, 81-, 82- & F1-82-.

*Lockable mullions are shipped without cylinders. Order Cylinder Mullion Kit separately.

980C2 Cylinder Mullion Kit



- Lockable mullions
- Electrified only
- Includes cylinder and collar
- Available in 26D finish only

Mullion Weights & Packaging

Product	Avg Wt	Case
Exit Device with Trim	15 lbs	1 ea
980 Mullion	18 lbs	1 ea
12-980 Mullion	40 lbs	1 ea
650A Mullion	18 lbs	1 ea