

**SARGENT®**

**ASSA ABLOY**

---

---

# 80 Series

---



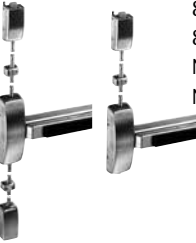



---

Exit Device



# Table of Contents

## 80 Series

<b>Features and Innovations</b> .....	2
<b>UL Fire Door Ratings and Opening Sizes</b> .....	3
<b>Windstorm Certifications</b> .....	4
<b>Rim Exit Device for Wide Stile Doors (Panic &amp; Fire Rated)</b>	
 8888/8810 Multi-Function Rim Exit Devices & Trims .....	5-6
8800 Rim Exit Devices .....	7
8800 Functions & Trims .....	8
<b>Mortise Lock Exit Device for Wide Stile Doors (Panic &amp; Fire Rated)</b>	
 8900 Mortise Exit Devices .....	9
8900 Functions & Trims .....	10
<b>Surface Vertical Rod Exit Device for Wide Stile Doors (Panic &amp; Fire Rated)</b>	
 8700 SVR Exit Devices .....	11
8700 Functions & Trims .....	12
NB8700 Less Bottom Rod SVR Exit Devices .....	13
NB8700 Functions & Trims .....	14
<b>Concealed Vertical Rod Exit Device for Wide Stile Doors (Panic &amp; Fire Rated)</b>	
 MD8600 (Windstorm Rated) & NB-MD8600 Concealed Vertical Rod Exit Device for Metal Doors .....	15
MD8600 & NB-MD8600 Functions & Trims .....	16
AD8600 & NB-AD8600 CVR Devices for Aluminum Doors .....	17
AD8600 & NB-AD8600 Functions & Trims .....	18
WD8600 & NB-WD8600 CVR Devices for Wood Doors .....	19
WD8600 & NB-WD8600 Functions & Trims .....	20
<b>Narrow Design Rim Exit Device for Wide &amp; Narrow Door Stiles (Panic &amp; Fire Rated)</b>	
 8500 Rim Exit Devices .....	21
8500 Functions & Trims .....	22
AD8500 Narrow Design Rim Exit Device for Aluminum Doors .....	23
AD8500 Functions & Trims .....	24
<b>Narrow Design Mortise Lock Exit Device for Wide Door Stiles (Panic &amp; Fire Rated)</b>	
 8300 Mortise Exit Devices .....	25
8300 Functions & Trims .....	26
<b>Narrow Design Concealed Vertical Rod Exit Device for Wide &amp; Narrow Stiles (Panic &amp; Fire Rated)</b>	
 MD8400 & NB-MD8400 Narrow Stile CVR Devices for Metal Doors .....	27
MD8400 & NB-MD8400 Functions & Trims .....	28
AD8400 & NB-AD8400 Narrow Stile CVR Devices for Aluminum Doors .....	29
AD8400 & NB-AD8400 Functions & Trims for Aluminum Doors .....	30

# Table of Contents

## 80 Series

### Center & Top Latching Surface Vertical Rod Devices (Panic & Fire Rated)



PP8700 and PR8700 Center & Top Latching Exit Devices for Pairs of Doors.....	31
PP8700 and PR8700 Functions & Trims for Pairs of Doors .....	32
SP8700 Center and Top Latching Vertical Rod for Single Door Applications.....	33
SP8700 Functions & Trims for Single Doors .....	34

### Center & Top Latching Concealed Vertical Rod Exit Device (Panic & Fire Rated)



PP8600 and PR8600 Center & Top Latching Exit Devices for Pairs of Doors.....	35
PP8600 and PR8600 Functions & Trims for Pairs of Doors .....	36
SP8600 Center and Top Latching Vertical Rod for Single Door Applications.....	37
SP8600 Functions & Trims for Single Doors .....	38

### Low Profile Center & Top Latching Vertical Rod Exit Device (Panic & Fire Rated)



LP8600 & LR8600 Center & Top Latching Exit Devices for Pairs of Doors .....	39
LP8600/LR8600 Functions & Trims.....	40
LS8600 Center and Top Latching Vertical Rod for Single Door Applications.....	41
LS8600 Functions & Trims for Single Doors .....	42

### UL Listed Hurricane-Resistant Products



HC8600 and WS8600 Concealed Vertical Rod Exit Devices: UL Hurricane-Resistant.....	43-44
HC8800 Rim Exit Devices: UL Listed Hurricane-Resistant .....	45-46
WS8800 Rim Exit Devices: UL Listed Hurricane-Resistant .....	47-48
WS8900 Mortise Exit Device: UL Listed Hurricane-Resistant .....	49-50
HC4-8700 SVR Exit Devices: UL Listed Hurricane-Resistant (up to 150 psf).....	51-52
HC8700 SVR Exit Devices: UL Listed Hurricane-Resistant (up to 65 psf).....	53-54
FM8700 2-Point SVR Exit Device: UL Listed Hurricane-Resistant (FEMA361/ICC500).....	55-56

### Electrical Options

ElectroLynx® Information & Option Compatibility Chart .....	57
Security Shim Kit and Beacon™ Option .....	58
SARGuide PL- & TL- Options & Latch Bolt Monitoring Option (53-) .....	59
Alarm (AL-) Option & Request-to-Exit (55-) Option .....	60
Electric Latch Retraction Option (56-) .....	61
Electric Latch Retraction Motor Kits & Push Rail Kits.....	62
Delayed Egress Option (57-) & Electro-Magnets.....	63-64
Electric Dogging (58-).....	65
ElectroGuard Delayed Egress Option (59-).....	66
Electrified & Monitored (54-) ET Trims & Power Supplies.....	67

### Lever and Trim Designs

ET Trim, Levers and Pulls.....	68
Coastal Series Levers & Thumb Piece Pulls .....	69
Studio Collection Levers.....	70
Ordering Gramercy Series Levers .....	71
Anti-Vandal Trim, 988 Surface Bolt, ET Plates & Dummy Rails.....	72

### Miscellaneous

Cylinder Information .....	73
Mullions: Aluminum, Steel & Electrified.....	74
Mullion Accessories and Stabilizers.....	75
Through-bolt Kits, Rod Extensions and Shim Kits.....	76
Door Coordinators, End Caps and Cylinder Dogging Kits .....	77
Rail Sizes and How to Order ET Trim .....	78
Mechanical Options & Descriptions .....	79
Cylinder Options & Descriptions.....	80
How to Order .....	81
Finishes & Finish Care .....	82
Architectural Specifications .....	83

## Features and Innovations

### 80 Series

SARGENT manufactures a full line of exit devices including vertical rod, rim and mortise for both standard and narrow stile doors. These devices provide the best combination of simplicity, strength, durability, aesthetics and innovation and are perfect for applications such as commercial office buildings, medical and educational institutions.

#### Simplicity

- Easy installation and maintenance-free design
- “True” architectural hardware finishes consistent with BHMA/ANSI standards
- Few moving parts – less wear
- Modular construction

#### Hurricane-Resistant Products and Certifications

- UL Certified Latching Hardware and Assemblies (ZHEM & ZHLL)
- Product-specific detailed certifications and listings
- Available with Rim, Mortise, SVR & CVR devices

#### Security

- Double cylinder functions available
- Torx® and spanner screws
- Anti-vandal trim options
- Master keying with SARGENT Security Key systems available (Signature, Keso F1, Keso and XC)

#### Strength & Durability

- Made of finest component materials
- Heavy duty mounting construction
- Built to withstand abusive conditions
- 5 Year warranty

#### Innovation

- Beacon™, a next generation exit device that creates a clearer pathway to safety during an emergency, is a combination of audible and visible alerts built into the exit device
- Broad offering of electro-mechanical solutions for the most demanding access/egress control applications
- **MicroShield®** anti-microbial finish coating offers a new level of protection
- **SARGuide™** exit device contains an electroluminescent touchpad to enhance the visibility of exit locations in dark or smoke-filled passages and effectively improve the safety of any public building
- CTL (Center and Top Latching) Vertical Rod Devices offer less bottom rod convenience with true center latching for added security



#### MicroShield™ Microshield® Coating

- This revolutionary finish coating available on all SARGENT product lines, utilizes a silver-based antimicrobial compound from Agion® Technologies
- The MicroShield protection is now available integrated within the 80 Series touch pad as well as the finish coating. MicroShield lasts for the life of the finish
- MicroShield coating permanently suppresses the growth of bacteria, algae, fungus, mold and mildew. It is effective against a broad spectrum of bacteria
- Non-toxic and completely safe. The Agion antimicrobial compound is EPA and NSF approved and FDA listed for use in medical and food preparation equipment
- Applications: Anywhere there is need for a clean environment (hospitals, laboratories, schools, medical centers, daycare, food processing etc.)

#### MicroShield®

As part of their promise to provide innovative solutions to their customers, certain ASSA ABLOY Group brands offer the MicroShield® technology, a silver-based antimicrobial coating designed to inhibit the growth of bacteria.

MicroShield® is a registered trademark of Yale Security Inc., an ASSA ABLOY Group company.



Agion has achieved:



*Agion's silver antimicrobial has been certified for its material content, recyclability, and manufacturing characteristics. Cradle To Cradle Certified™ products meet established standards for human health, environmental health and recyclability.*

*Cradle To Cradle Certified™ is a certification mark of MBDC.*



The TL- SARGuide Electroluminescent exit device increases visibility of exit locations in dark or smoke-filled passages, supplementing existing codes for egress lighting

- SARGuide utilizes state-of-the-art FLATLITE electroluminescent lighting from E-Lite Technologies Inc.
- Can be wired in conjunction with Fire Alarm system or can be wired for continuous operation
- UL Listed for use on panic (UL 305) and fire-rated (UL10C) exit devices

The PL- SARGuide Photoluminescent Exit Device is a non electrical option which produces visible EXIT signage in darkness or low lit areas.

- Approved for use in New York City in accordance with RS 6-1 and RS 6-1A
- Recharges from ambient light
- No wiring or maintenance needed



### Maximum Door Opening-Fire Doors

Type	Exit Device	Door Material	Single Door	Double Door Applications						
				with 12-HC980 or 12-980 or 12-L980 or 12-HCL980 Mullion	with 12-HD980 Mullion	VR/VR Doors Swing Same Direction	SVR/Mortise Doors Swing Same Direction	CVR/Mortise MD Doors Swing Same Direction	CVR/Mortise WD Doors Swing Same Direction	VR/VR Double Egress
Rim	12-8800	Metal	3 Hour 4' x 10'	3 Hour 8' x 8'	3 Hour 8' x 10'	—	—	—	—	—
	12-8800	Wood	3 Hour 4' x 10'	3 Hour 8' x 8'	3 Hour 8' x 10'	—	—	—	—	—
	12-8500	Metal	3 Hour 4' x 8'	3 Hour 8' x 8'	3 Hour 8' x 8'	—	—	—	—	—
	12-8500	Wood	3 Hour 4' x 8'	3 Hour 8' x 8'	3 Hour 8' x 8'	—	—	—	—	—
Mortise Lock	12-8900	Metal	3 Hour 4' x 10'	—	—	—	3 Hour 8' x 8'	3 Hour 8' x 10'	—	—
	12-8900	Wood	3 Hour 4' x 10'	—	—	—	3 Hour 8' x 8'	—	3 Hour 8' x 9'	—
	12-8300	Metal	3 Hour 4' x 10'	—	—	—	—	3 Hour 8' x 10'	—	—
	12-8300	Wood	3 Hour 4' x 10'	—	—	—	—	—	3 Hour 8' x 9'	—
SVR	12-FM8700	Metal	3 Hour 4' x 8'	—	—	3 Hour 8' x 8'	—	—	—	—
	12-8700	Metal	—	—	—	3 Hour 8' x 8'	3 Hour 8' x 8'	—	—	3 Hour 8' x 8'
	12-8700	Wood	—	—	—	3 Hour 8' x 8'	3 Hour 8' x 8'	—	—	3 Hour 8' x 8'
	12-NB8700	Metal	—	—	—	3 Hour 8' x 10'	—	—	—	3 Hour 8' x 10'
	12-NB8700	Wood	—	—	—	3 Hour 8' x 10'	—	—	—	3 Hour 8' x 10'
SVR/Mortise	12-SP8700	Metal	90 Min 4' x 10'	—	—	—	—	—	—	—
	12-SP8700	Wood	90 Min 4' x 9'	—	—	—	—	—	—	—
	12-PP8700 & 12-PR8700	Metal	—	—	—	3 Hour 8' x 10'	—	—	—	3 Hour 8' x 10'
	12-PP8700 & 12-PR8700	Wood	—	—	—	3 Hour 8' x 8'	—	—	—	3 Hour 8' x 8'
CVR	12-MD8600	Metal	—	—	—	3 Hour 8' x 10'	—	3 Hour 8' x 10'	—	3 Hour 8' x 10'
	12-NB-MD8600	Metal	—	—	—	3 Hour 8' x 10'	—	—	—	3 Hour 8' x 10'
	12-WD8600	Wood	—	—	—	90 Min 8' x 9'	—	—	3 Hour 8' x 9'	3 Hour 8' x 9'
	12-NB-WD8600	Wood	—	—	—	90 Min 8' x 9'	—	—	—	3 Hour 8' x 9'
	12-MD8400	Metal	—	—	—	3 Hour 8' x 10'	—	3 Hour 8' x 10'	—	3 Hour 8' x 10'
	12-NB-MD8400	Metal	—	—	—	3 Hour 8' x 10'	—	—	—	3 Hour 8' x 10'
CVR/Mortise	12-SP8600	Metal	3 Hour 4' x 10'	—	—	—	—	—	—	—
	12-SP8600	Wood	45 Min 4' x 9'	—	—	—	—	—	—	—
	12-PP8600 & 12-PR8600	Metal	—	—	—	3 Hour 8' x 10'	—	—	—	3 Hour 8' x 10'
	12-PP8600 & 12-PR8600	Wood	—	—	—	90 Min 8' x 8'	—	—	—	45 Min 8' x 8'
	12-LS8600	Metal	3 Hour 4' x 10'	—	—	—	—	—	—	—
	12-LP8600 & 12-LR8600	Metal	—	—	—	3 Hour 8' x 10'	—	—	—	3 Hour 8' x 10'

Any retrofit or other field modification to a fire rated opening can potentially impact the fire rating of the opening, and Sargent Manufacturing Company makes no representations or warranties concerning what such impact may be in any specific situation. When retrofitting any portion of an existing fire rated opening, or specifying and installing a new fire-rated opening, please consult with a code specialist or local code official (Authority Having Jurisdiction) to ensure compliance with all applicable codes and ratings.

**Note:** Please contact door manufacturer for specifications regarding fire door construction

# Windstorm Certifications

## 80 Series

**SARGENT**<sup>®</sup>

**ASSA ABLOY**

### Windstorm Certifications: Florida Building Codes & UL Listings

SARGENT Manufacturing's products meet building codes that require hurricane, windstorm and FEMA certifications, including some of the most stringent building codes as specified in the Florida Building Code, Miami Dade Code and the International Building Code. Listed below are certifications and standards met by the 80 Series lock.

#### Florida Building Code: FL2998

#### UL Certification Directory: ZHEM.R21744 – Latching Hardware

ANSI/SDI-BHMA A250.13	"Testing and Rating of Severe Windstorm Resistant Components for Swinging Door Assemblies"
ANSI/ASTM E330	"Standard Test Method for Structural Performance of Exterior Windows, Doors, Skylights and Curtain Walls by Uniform Static Air Pressure Difference"
ANSI/ASTM E1886	"Standard Test Method for Performance of Exterior Windows, Curtain Walls, Doors, and Impact Protective Systems Impacted by Missile(s) and Exposed to Cyclic Pressure Differentials"
ASTM E1996	"Standard Specification for Performance of Exterior Windows, Curtain Walls, Doors and Impact Protective Systems Impacted by Windborne Debris in Hurricanes"
(TAS) 201	"Impact Test Procedures"*
(TAS) 202	"Standard Test Method for Structural Performance of Exterior Windows, Doors, Skylights and Curtain Walls by Uniform Static Air Pressure Difference"
(TAS) 203	"Criteria for Testing Products Subject to Cyclic Wind Pressure Loading"*

\* Published in the "Florida Building Code"

#### UL Certification Directory: ZHLL.R21744 – Products for Use in Windstorm-rated Assemblies

Certifications to meet assembly requirements are done in conjunction with doors from ASSA ABLOY Group companies CECO DOOR and CURRIES.

ASTM E330	"Standard Test Method for Structural Performance of Exterior Windows, Doors, Skylights and Curtain Walls by Uniform Static Air Pressure Difference"
ANSI/ASTM E1886	"Standard Test Method for Performance of Exterior Windows, Curtain Walls, Doors, and Impact Protective Systems Impacted by Missile(s) and Exposed to Cyclic Pressure Differentials"
ASTM E1996	"Standard Specification for Performance of Exterior Windows, Curtain Walls, Doors and Impact Protective Systems Impacted by Windborne Debris in Hurricanes"
AAMA/WDMA/CSA 101/1.S.2/A440	"Standard/Specification for Windows, Doors, and Unit Skylights"
FEMA Publication 320	"Taking Shelter From the Storm: Building a Safe Room for Your Home or Small Business", investigated with respect to impact and pressure requirements only.
FEMA Publication 361	"Design and Construction Guidance for Community Safe Rooms", investigated with respect to impact and pressure requirements only.
ICC 500	"ICC/NSSA Standard for the Design and Construction of Storm Shelters", investigated with respect to impact and pressure testing. Minimum missile impact speeds vary with the design wind speed desired for a particular product. The information below correlates design wind speed to the minimum missile speeds as discussed in Table 305.1.1 of ICC 500.

Copyright © 1998-2014, Sargent Manufacturing Company, an ASSA ABLOY Group company. All rights reserved. Reproduction in whole or in part without the express written permission of Sargent Manufacturing Company is prohibited.

# 8888/8810 Multi-Function Rim Exit Device & Trim

80 Series

**SARGENT®**

**ASSA ABLOY**



## The 8888/8810 Rim Exit Device

- Devices are ANSI A156.3
- UL Fire and Panic listed
- Device is non-handed
- ANSI/BHMA architectural finishes
- Four standard sizes available

To Order: Specify options, 8888 or 8810, Rail Size and Finish  
Example: 12-19-8888F x 32D

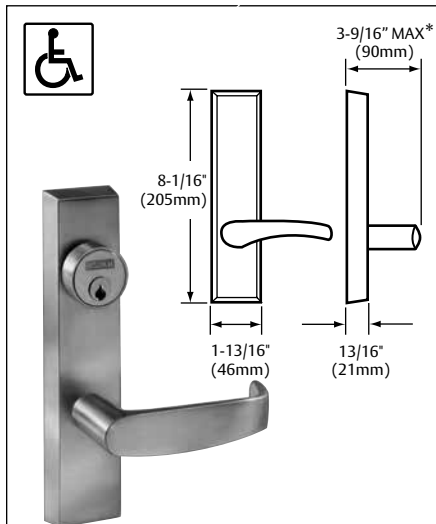
## 8888/8810 Multi-Function exit device and trim

- Device & trim sold separately; easy to mix and match
- Designed for standard width stile applications on wood and metal doors
- 7 functions available as determined by the trim function
- 3 trim designs available:
  - 700 ET Controls
  - 88 Lever & Rose trim
  - Pull trims
- Single and double door applications with a mullion

## Specifications

For Doors	Wood or metal, 1-3/4" (44 mm) minimum thickness. For doors over 1-3/4" to 2-1/4" thick, specify thickness and order as 31- option
Mounting	Supplied standard with wood and machine screws Available with through-bolts and mortise nuts
Chassis Cover	Cold drawn stainless steel, brass or bronze with ANSI/BHMA Finishes
Chassis	Nonferrous alloy (Panic) Ferrous alloy (Fire Rated)
Rails	Roll Formed Stainless Steel, Brass or Bronze with ANSI/BHMA Finishes
Hand	Non-handed
Dogging Feature (Non 12- only)	Hex key dogging standard on non fired rated devices; specify 16- for cylinder dogging (#41 cylinder supplied)
Latchbolt	Stainless steel, 3/4" (19mm) throw
Strike	649 Strike supplied standard for panic & fire rated openings
Fire Exit Hardware	See chart - Page 3

## 700 Series ET Control



The 700 Series ET Control is sold separately from the exit device and can be used with 8888 & 8810 Exit Device. The trim is non handed and is through-bolted to the chassis for greater security and durability. Available in 7 functions and SARGENT Studio, Coastal and standard lever designs to accommodate most requirements.


- ANSI/BHMA Finishes
- Easy operating lever handle allows convenient one hand operation
- ET trim is not available in 32 or 32D
- Stainless steel levers are available

## Rail Chart


- Rails are available in 4 sizes, use door width to determine size needed.
- Rails will be factory cut to size if door width is supplied or can be cut in the field

Stock Size	Door Widths	Remarks
E	24" to 32" (61cm to 81cm)	No cutting required for 32" (81cm) door
F	33" to 36" (84cm to 91cm)	No cutting required for 36" (91cm) door
J	37" to 42" (94cm to 107cm)	No cutting required for 42" (107cm) door
G	43" to 48" (110cm to 122cm)	No cutting required for 48" (122cm) door

## 88 Lever and Rose Trim



LB  
ROSE: L  
LEVER: B



- The 88 Lever and Rose Trim is sold separately from the exit device and can be used with 8888 & 8810 Exit Device.
- The trim is non handed and is through-bolted to the chassis for greater security and durability. Available in 4 functions and 4 lever designs to accommodate most requirements.

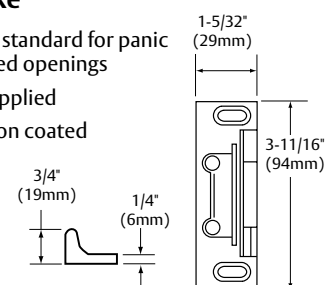
## 688 Trim Retrofit Kit



- 688 Trim Retrofit kit allows an 8810/8888 rim exit with an ET to replace Von Duprin's 98/99 series exit with trim with minimal door prep.
- Order as: 688 Kit

## 649 Strike

- Supplied standard for panic & fire rated openings
- Surface applied
- Black nylon coated



# 8888/8810 Multi-Function Rim Exit Device & Trim

## 80 Series



### How to order 8888/8810 Multi-Function Exit Devices:

Specify the following:

Options	Series	Rail	Finish
16-	8888 or 8810	F	32D

- All trims and functions listed on this page, work with 8888 & 8810 Exit Devices
- Available options listed at the right
- 8888 & 8810 are identical products and are non-handed
- Exit devices are not available in 14, 15, 26 and 26D finishes

### How to order trim for 8888 & 8810 Exit Devices:

Specify the following:

Options	Trim Designation	Hand	Finish
10-	713-8 ET_*	RHR	26D
10-	88-CL_*	Non-Handed	10B
60-	814-MSL	RHR	04

\*Specify lever design  
Available Options listed at the right

### Options

Exit	Trim
12-	10-
*16-	**10-UL-
19-	11-
43-	11-70-
GL-	11-72-7P-
CPC-	11-73-7P-
LC-	21-
LD-	22-
PL-	60-
	63-
	64-
	+70-
	+72-
	+73-
	+73-7P-
	+65-73-
	+65-73-7P-
	BR-
	LC-
	SC-
	SE-
	++SF-
	SG-

\* Supplied with standard 41 cylinder, for cylinder options, see trim options

\*\* Double asterisk options are not available with 88 Lever & Rose Trim

+ Single crossed options are not available with 88 Lever & Rose Trim with J Lever

++ Double Cross options are only available with 88 Lever & Rose Trim

### 700 Series ET Trim



SARGENT Function Numbers	ANSI Function Numbers	Description & Cylinder Info (1-3/4" Door)	Trim Designations
04	03	Night Latch Key Retracts Latch #34 Cylinder Supplied	704 ET_ x Hand & Finish
10	02	No outside operation (No Cylinder) ET Control is used as Pull Only	710 ET_ x Hand & Finish
13	08	Key Outside Unlocks/Locks Trim #41 Cylinder Supplied	713-8 ET_ x Hand & Finish
15	14	Passage Only (No cylinder)	715-8 ET_ x Hand & Finish
40	02	Freewheeling Trim - No outside operation (No Cylinder) Dummy Trim	740 ET_ x Hand & Finish
43	08	Key Outside Unlocks/Locks Trim #41 Cylinder Supplied	743-8 ET_ x Hand & Finish
44	03	Freewheeling Trim - Key Retracts Latch #34 Cylinder Supplied	744 ET_ x Hand & Finish

Note: ET trim is not available in 32 (629) or 32D (630)

### 700 Series ET Controls

To order: Specify options followed by trim designation, lever design, hand and finish (as shown to the right).

Example: 11-SG-713-8 x RHR x 10B

### Freewheeling Trim

The lever rotates when the door is locked preventing excessive force from being applied to the horizontal lever

### 88 Lever and Rose Trim

To order: Specify options followed by trim designation, lever design and finish (as shown to the right).

Example: 10-SG-88-CLP x 26D



ANSI Function Numbers	Description	Trim Designations
03	Key Retracts Latch Cylinder Supplied	88-KL_ x Finish
02	No outside operation (No Cylinder) Dummy Trim	88-DL_ x Finish
08	Key Outside Unlocks/locks Trim Cylinder Supplied	88-CL_ x Finish
14	Passage Only (No cylinder)	88-LL_ x Finish

Lever Designs available for 88 Lever & Rose Trim are L, B, J & P

Note: For 88 Lever & Rose trim, the 1st letter is the function, the 2nd is the "L" Rose Design & the 3rd is the lever design specified

### Keyed & Non Keyed Pull Trim for 8888 & 8810 Devices

Use the six digit designation (Ex "866-MAL") when ordering trim without an Exit Device, always specify options, designation, finish & hand

Example: 10-SG-814-FSW x 04 x RHR

SARGENT Function #'s	ANSI	Description & Cylinder Info. (1-3/4" Door)	Trim Designations				
04	03	Key Retracts Latch #34 Cylinder Supplied	814-FSL*	814-FSW*	814-MSL*	814-PSB*	814-ST5
10	02	No O/S Operation or Cylinder (Pull Only)	810-FLL	810-FLW	810-MAL	810-PTB	810-ST5

Note: FSW, FLW, 88 Lever & Rose trim & ET's are not available in 32(629) or 32D(630)

\* FSL, FSW, MSL and PSB trims are used with (HC-& 12-) 8888 and 8804 only and are the same as FLL, FLW, MAL and PTB pulls, except for cylinder hole located 3/8" (9mm) lower.

### Available Finishes

SARGENT Finishes	BHMA Finishes
03	605
04	606
09	611
10	612
10B	613
10BE	613E
10BL	614
14	618
15	619
20D	624
26	625
26D	626
32	629
32D	630

Copyright © 1998-2014, Sargent Manufacturing Company, an ASSA ABLOY Group company. All rights reserved. Reproduction in whole or in part without the express written permission of Sargent Manufacturing Company is prohibited.

90641P6/1/14



## 8800 Rim Exit Device

80 Series

### 8800 Series Rim Exit Device



### 8800 Features

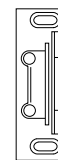
- Designed for standard width stile applications on wood and metal doors
- Also available as an HC8800 or WS8800 for hurricane-resistant applications, see Hurricane-Resistant section of this catalog
- Most functions are non-handed
- Single point rim latching device
- Single door & double door applications with mullions
- Quiet operation and solid security
- Devices are ANSI A156.3
- UL Fire and Panic listed

### Specifications

### 8800 Series Rim Exit Device

Door Types	Wood or metal 1-3/4" (44 mm) minimum thickness. For doors over 1-3/4" to 2-1/4" thick, specify thickness and order as 31- Option
Rail sizes as determined by door width	Rails are available in 4 sizes, use door width to determine size needed. Rails will be factory cut to size, if door width is supplied <ul style="list-style-type: none"> <li>• E Rail for 24" to 32" door widths, No cutting required for 32" door</li> <li>• F Rail for 33" to 36" door widths, No cutting required for 36" door</li> <li>• J Rail for 37" to 42" door widths, No cutting required for 42" door</li> <li>• G Rail for 43" to 48" door widths, No cutting required for 48" door</li> </ul>
Strike	649 Standard Black Nylon Coated
Optional Strikes	642, 644 and 613
Dogging Feature	Hex key dogging standard on non fired rated devices; specify 16- for cylinder dogging (#41 cylinder supplied)
Electric Options	AL- Alarm BT- Beacon™ PL- SARGuide Photoluminescent Coated TL- SARGuide Illuminated Touchpad 53- LX Latchbolt Monitor 54- Outside Lever Monitoring 55- Request-to-Exit Signal - Rail Monitoring 56- Remote Latch Retraction 57- Delay Egress & Electromagnets 58- Electric Dogging 59- Electroguard – Self Contained Delayed Egress
Mounting Fasteners	Supplied standard with wood and machine screws Available with through-bolts and mortise (sex) nuts
Latch Bolt	Stainless steel, 3/4" (19mm) throw
Device Centerline from Finished Floor	41" (1041 mm) for Standard Applications
Center Case Dimensions	8-3/8" (213mm) x 2-5/8" (67mm)
Projection	Pushbar Neutral – 3" (76 mm) Pushbar Depressed – 2-1/8" (54 mm)
Fire Exit Hardware	See Chart – Page 3

### 649 Strike



- Supplied standard for panic & fire rated openings
- Surface applied
- Black nylon coated

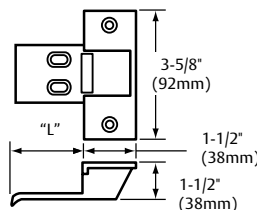
### 688 Trim Retrofit Kit



- 688 Trim Retrofit kit allows an 8800\* Series rim exit with an ET to replace Von Duprin's 98/99 Series exit with trim with minimal door prep.
- \* Except for 16 function
- Order as: 688 Kit

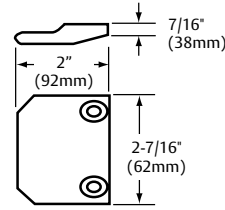
### Alternate Strikes For 8800 Rim Devices

#### 642 Strike



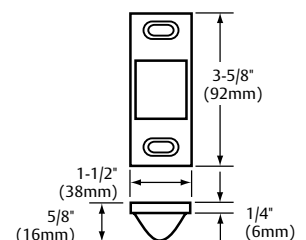
- Mortised. Dimension "L" equals door thickness plus 1/2" (13mm). Black nylon coated on lip only.

#### 644 Strike



- Surface applied. For use on pairs of doors without mullion. Ductile Iron. Black nylon coated.


#### 613 Strike



- Half mortised. Black nylon coated.

## 8800 Functions & Trims

### 80 Series

Options	Series	Function	Rail Lgth	Trim	Hand	Outside Finish	Inside Finish	Door Width	Options
F1-83-56	88	13	F	ETL	RHR	26D	32D	36"	8800
<b>700 Series ET Trim</b>  Exits with ET Trim, specify lever design after the ET designation (e.g., ETL) <b>Lever Designs for ET Controls</b> A, B, E, F, J, L, P, W Also available with Coastal Series & Studio Collection Levers <b>ET Designation with Suffix (Used to order ET without device)</b> 8800 Series: 704, 706-8, 710, 713-8, 715-8, 716, 740, 743-8, 744, 746-8, 773-8, 774-8, 775-8 & 776-8 <b>Freewheeling Trim</b> The lever rotates when the door is locked preventing excessive force from being applied to the horizontal lever <b>Electrified ET Trim</b> Voltage must be specified for the following functions: 73, 74, 75 and 76. Specify: 12VDC or 24VDC									<b>Mechanical Options:</b> 12- 16- 19- 31- 36- 37- 43- 53- 54- 55- 56- 56-HK- 57- 58- 59- BC-59- 76- 85- 86- 87- AL- BT- CPC- GL- LD- PL- SG- TB- TL- <b>Cylinder Options:</b> 10- 10-21- 10UL- 10-63- 11- 11-21- 11-60- 11-63- 11-64- 11-70-7P- 11-72-7P- 11-73-7P- 11-65-73-7P- 21- 22- 51- 52- 60- 63- 64- 70- 72- 73- 65-73- 65-73-7P- 73-7P- 81- 82- F1-82- 83- F1-83- 84- BR- LC- *SC- *SE-
SARGENT Function Numbers	ANSI Function Numbers	Description & Cylinder Info (1-3/4" Door)	ANSI Type 1 8800 Panic & Fire						
04	03	Night Latch Key Retracts Latch #34 Cylinder Supplied	8804 x ET_						
06	09	Key unlocks Trim, Trim retracts latch/ Trim relocks when key is removed #41 Cylinder Supplied	8806 x ET_						
10	01	No outside operation (No Cylinder)	8810						
10	02	No outside operation (No Cylinder) ET Control is used as Pull Only	8810 x ET_						
13	08	Key Outside Unlocks/locks Trim #41 Cylinder Supplied	8813 x ET_						
15	14	Passage Only (No cylinder)	8815 x ET_						
16	10	Key Outside Retracts Latch; Key Inside Unlocks/Locks O/S Trim O/S #34 Cylinder & I/S #44 Cylinder Supplied	8816 x ET_						
40	02	Freewheeling Trim - No outside operation (No Cylinder) Dummy Trim	8840 x ET_						
43	08	Freewheeling Trim - Key Outside Unlocks/locks Trim #41 Cylinder Supplied	8843 x ET_						
44	03	Freewheeling Trim - Key Retracts Latch #34 Cylinder Supplied	8844 x ET_						
46	09	Freewheeling Trim - Key unlocks Trim, Trim retracts latch/ Trim relocks when key is removed #41 Cylinder Supplied	8846 x ET_						
73		Electrified ET Trim - Fail Safe Power Off, Unlocks Lever (No Cylinder)	8873 x ET_						
74		Electrified ET Trim - Fail Secure Power Off, Locks Lever (No Cylinder)	8874 x ET_						
75		Electrified ET Trim - Fail Safe Power Off, Unlocks Lever, Key Retracts Latch #34 Cylinder Supplied	8875 x ET_						
76		Electrified ET Trim - Fail Secure Power Off, Locks Lever, Key Retracts Latch #34 Cylinder Supplied	8876 x ET_						

**Note:** Exit devices are available in all standard finishes, except 14, 15, 26 & 26D. With these finishes, exit devices are supplied in 32 or 32D to match accordingly. 26 or 26D is automatically supplied when 32 or 32D is specified. For nickel finishes, specify 14/32 or 15/32D to receive nickel finished trims and stainless exit devices.

### Pull & Thumb Piece Trim Section

### Trim Designations

### Series

- Use three letter designations (Ex "PTB") when ordering the Exit Device with trim
- Use the six digit designation (Ex "866-MAL") when ordering trim without an Exit Device, always specify finish

SARGENT Function Numbers	ANSI Function Numbers	Description & Cylinder Info. (1-3/4" Door)	814-FSL*	814-FSW*	814-MSL*	814-PSB*	814-ST5	862 Pull	8800 Panic & Fire
04	03	Night Latch Key Retracts Latch #34 Cylinder Supplied	814-FSL*	814-FSW*	814-MSL*	814-PSB*	814-ST5	862 Pull	8804 x Trim Designation
10	02	No O/S Operation or Cylinder (Pull Only)	810-FLL	810-FLW	810-MAL	810-PTB	810-ST5	862 Pull	8810 x Trim Designation
28	15	Passage Only (No cylinder)	828-FLL	828-FLW	828-MAL	828-PTB	828-ST5	N/A	8828 x Trim Designation
63	05	Key Outside Unlocks/ Locks Trim #34 Cylinder Supplied	866-FLL	866-FLW	866-MAL	866-PTB	866-ST5	N/A	8863 x Trim Designation
66	07	Key Outside Retracts Latch; Key Inside Unlocks/Locks O/S Trim O/S #34 & I/S #44	866-FLL	866-FLW	866-MAL	866-PTB	866-ST5	N/A	8866 x Trim Designation

\* FSL, FSW, MSL and PSB trims are used with (HC-& 12-) 8888 and 8804 only and are the same as FLL, FLW, MAL and PTB pulls except for cylinder hole located 3/8" (9mm) lower.  
**Note:** Thumb piece trims for 63 and 66 function devices are identical and are identified as 66 function when trim is ordered separately.  
**Note:** FLW & FSW trims are not available in 32(629) or 32D(630)

\* Options are not available with 8816

### Available Finishes

SARGENT Finishes	BHMA Finishes
03	605
04	606
09	611
10	612
10B	613
10BE	613E
10BL	614
14	618
15	619
20D	624
26	625
26D	626
32	629
32D	630

# 8900 Mortise Lock Exit Device

80 Series



**SARGENT**

**ASSA ABLOY**

## 8900 Series Mortise Lock Exit Device



### 8900 Features

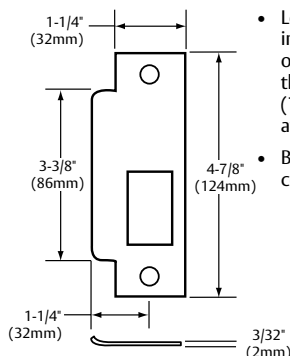
- Designed for standard width stile applications on wood and metal doors
- Concealed single point guarded latching for additional security
- Also available as a WS8900 for additional certifications and listings, see Hurricane-Resistant section of this catalog
- Single door applications
- Double door applications with Vertical Rod
- Devices are ANSI A156.3
- UL Fire and Panic listed

### Specifications for 8900 Mortise Lock Exit

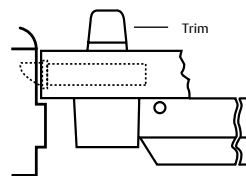
Door Types	Wood or metal 1-3/4" (44 mm) minimum thickness. For doors over 1-3/4" to 2-1/4" thick, specify thickness and order as 31- Option 4-1/2" (114mm) minimum stile
Rail sizes as determined by door width	Rails are available in 4 sizes, use door width to determine size needed. Rails will be factory cut to size, if door width is supplied <ul style="list-style-type: none"> <li>• E Rail for 24" to 32" door widths, No cutting required for 32" door</li> <li>• F Rail for 33" to 36" door widths, No cutting required for 36" door</li> <li>• J Rail for 37" to 42" door widths, No cutting required for 42" door</li> <li>• G Rail for 43" to 48" door widths, No cutting required for 48" door</li> </ul>
Strike	C908 Standard Black Nylon Coated – ANSI Prep A115.1 Optional Strikes – 815 Open Back Strike or 908 Flat Lipped Strike with Black Nylon
Dogging Feature	Hex key dogging standard on non fired rated devices; specify 16- for cylinder dogging (#41 cylinder supplied)
Electric Options	AL- Alarm BT- Beacon™ PL- SARGuide Photoluminescent Coated TL- SARGuide Illuminated Touchpad 53- LX Latchbolt Monitor 54- Outside Lever Monitoring 55- Request-to-Exit Signal - Rail Monitoring 56- Remote Latch Retraction 57- Delay Egress & Electromagnets 58- Electric Dogging 59- Electroguard – Self Contained Delayed Egress
Mounting Fasteners	Supplied standard with wood and machine screws Available with through-bolts and mortise (sex) nuts
Latch Bolt	Brass Nickel Plated, 3/4" (19mm) throw, anti-friction
Guarded/DeadLatch	Brass Nickel Plated, sliding type
Device Centerline from Finished Floor	41" (1041mm) for Standard Applications
Center Case Dimensions	8-3/8" (213mm) x 2-5/8" (67mm)
Projection	Pushbar Neutral – 3" (76mm) Pushbar Depressed – 2-1/8" (54mm)
Fire Exit Hardware	See Chart – Page 3

### C908 Standard Strike

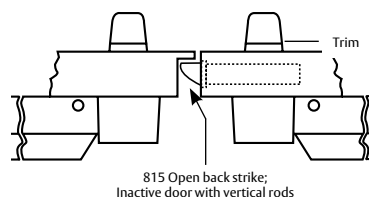
- Curved lip ANSI A-115.1
- Handed. 1-1/4" (32mm) lip standard
- Longer lips in increments of 1/4" (6mm) through 2-7/8" (73mm) available
- Black nylon coated



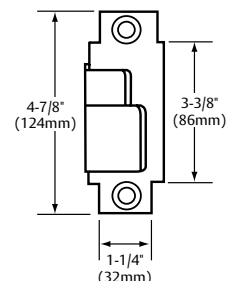
### Single Door



### Pair of Doors



### 815 Open Back Strike



- ANSI A-115.14 Open Back
- Beveled 1/8" (3mm) in 2" (51mm)
- Specify hand of active door
- Black nylon coat
- "B" label

# 8900 Functions & Trims

## 80 Series



**SARGENT**  
**ASSA ABLOY**

**How to order:** Options F1-83- Series 89 Function 13 Rail Lgth F Trim ETL Hand RHR Outside Finish 26 Inside Finish 32 Door Width 36"

### 700 Series ET Trim



Exits with ET Trim, specify lever design after the ET designation (e.g., ETL)

### Lever Designs for ET Controls

A, B, E, F, J, L, P, W  
Also available with Coastal Series & Studio Collection Levers

### ET Designation with Suffix (Used to order ET without device)

8900 Series: 704, 706, 710, 713, 715, 716, 740, 743, 744, 773, 774, 775 & 776

### Freewheeling Trim

The lever rotates when the door is locked preventing excessive force from being applied to the horizontal lever

### Electrified ET Trim and Electrified Mortise Locks

Voltage must be specified for the following functions: 73, 74, 75 and 76. Specify: 12VDC or 24VDC

SARGENT Function Numbers	ANSI Function Numbers	Description & Cylinder Info (1-3/4" Door)	ANSI Type 3 8900 Panic & Fire
04	03	Night Latch Key Retracts Latch #46 Cylinder Supplied	8904 x ET_
06	09	Key unlocks Trim, Trim retracts Latch/ Trim relocks when key is removed #41 Cylinder Supplied	8906 x ET_
10	01	No outside operation (No Cylinder)	8910
10	02	No outside operation (No Cylinder) ET Control is used as Pull Only	8910 x ET_
13	08	Key Outside Unlocks/locks Trim #41 Cylinder Supplied	8913 x ET_
15	14	Passage Only (No cylinder)	8915 x ET_
16	10	Key Outside Retracts Latch; Key Inside Unlocks/Locks O/S Trim O/S #46 & I/S #34 Cylinder Supplied	8916 x ET_
40	02	Freewheeling Trim - No outside Operation (No Cylinder) Dummy Trim	8940 x ET_
43	08	Freewheeling Trim - Key Outside Unlocks/locks Trim #41 Cylinder Supplied	8943 x ET_
44	03	Freewheeling Trim - Key Retracts Latch For 1-3/4" Door #46 Cylinder Supplied	8944 x ET_
75++		Electrified ET Trim - Fail Safe Power Off, Unlocks Lever, Key Retracts Latch For 1-3/4" Door #46 Cylinder Supplied	8975 x ET_
76**		Electrified ET Trim - Fail Secure Power Off, Locks Lever, Key Retracts Latch For 1-3/4" Door #46 Cylinder Supplied	8976 x ET_

**Note:** Exit devices are available in all standard finishes, except 14, 15, 26 & 26D. With these finishes, exit devices are supplied in 32 or 32D to match accordingly. 26 or 26D is automatically supplied when 32 or 32D is specified. For nickel finishes, specify 14/32 or 15/32D to receive nickel finished trims and stainless exit devices.

++ 75 Function without cylinder is available as a 73 Function  
\*\* 76 Function without cylinder is available as a 74 Function

### Options

#### 8900

#### Mechanical Options:

- 12-
- 16-
- 19-
- 23-
- 31-
- 36-
- 37-
- 43-
- 53-
- 54-
- 55-
- 56-
- 56-HK-
- 57-
- 58-
- 59-
- BC-59-
- 76-
- 85-
- 86-
- 87-
- AL-
- BT-
- CPC-
- LD-
- PL-
- SG-
- TL-

#### Cylinder Options:

- 10-
- 10-21-
- 10UL-
- 10-63-
- 11-
- 11-21-
- 11-60-
- 11-63-
- 11-64-
- 11-70-7P-
- 11-72-7P-
- 11-73-7P-
- 11-65-73-7P-
- 21-
- 22-
- 51-
- 52-
- 60-
- 63-
- 64-
- 70-
- 72-
- 73-
- 65-73-
- 65-73-7P-
- 73-7P-
- 81-
- 82-
- F1-82-
- 83-
- F1-83-
- 84-
- BR-
- LC-
- \*SC-
- \*SE-

\* Options are not available with the following functions: 04 x ET, 16, 44, 75 & 76

### Pull & Thumb Piece Trim Section

### Trim Designations

- Use three letter designations (Ex "PTB") when ordering the Exit Device with trim
- Use the six digit designation (Ex "866-MAL") when ordering trim without an Exit Device, always specify finish & hand

### Series

SARGENT Function Numbers	ANSI Function Numbers	Description & Cylinder Info. (1-3/4" Door)	814-FLL	814-FLW	814-MAL	814-PTB	814-ST5	8900 Panic & Fire
04	03	Night Latch-Key Retracts Latch #41 Cylinder Supplied	814-FLL	814-FLW	814-MAL	814-PTB	814-ST5	8904 x Trim Designation
10	02	No O/S Operation or Cylinder (Pull Only)	810-FLL	810-FLW	810-MAL	810-PTB	810-ST5	8910 x Trim Designation
28	15	Passage Only (No cylinder)	828-FLL	828-FLW	828-MAL	828-PTB	828-ST5	8928 x Trim Designation
63	05	Key Outside Unlocks/locks Trim #41 Cylinder Supplied	866-FLL	866-FLW	866-MAL	866-PTB	866-ST5	8963 x Trim Designation
66	07	Key Outside Retracts Latch; Key Inside Unlocks/Locks Trim; O/S #34 & I/S #41 Cylinder Supplied	866-FLL	866-FLW	866-MAL	866-PTB	866-ST5	8966 x Trim Designation

### Available Finishes

SARGENT Finishes	BHMA Finishes
03	605
04	606
09	611
10	612
10B	613
10BE	613E
10BL	614
14	618
15	619
20D	624
26	625
26D	626
32	629
32D	630

**Note:** Thumb piece trims for 63 and 66 function devices are identical and are identified as 66 function when trim is ordered separately.

**Note:** FLW trim is not available in 32(629) or 32D(630)

**Note:** Thumb piece trims used with 8900 mortise lock exit devices are handed.

Copyright © 1998-2014, Sargent Manufacturing Company, an ASSA ABLOY Group company. All rights reserved. Reproduction in whole or in part without the express written permission of Sargent Manufacturing Company is prohibited.

90641-P/6/1/14

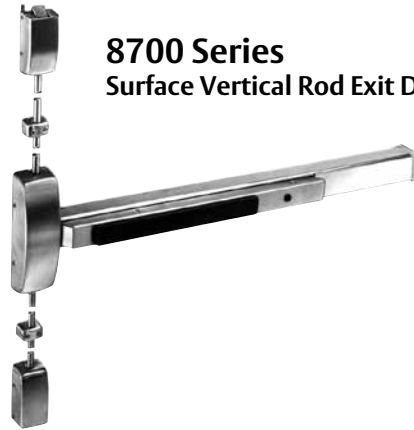
**10**

1-800-727-5477 • www.sargentlock.com

ASSA ABLOY, the global leader in door opening solutions

## 8700 Surface Vertical Rod Exit Device

80 Series



**8700 Series**  
Surface Vertical Rod Exit Device

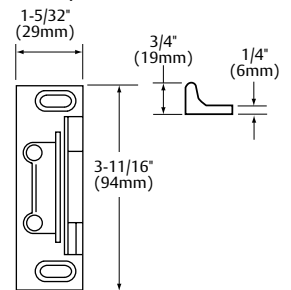
### Features

- Two point latching (top & bottom with adjustability through center case)
- Standard bottom latch compatible with latch track thresholds (by others)
- Single and double door applications
- Devices are ANSI A156.3
- UL Fire and Panic listed
- Also available as an HC8700 or FM8700 for hurricane-resistant applications, see Hurricane-Resistant section of this catalog
- Rods are 1/2" (13mm) brass, bronze or stainless steel

**Note:** The 8700 Exit Device can not be used less bottom rod. If less bottom rod is desired, specify NB8700 Series Exit Device.

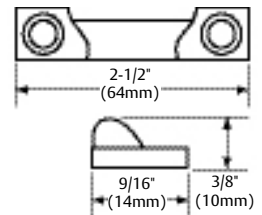
### 646 Top Strike

- Standard for both Panic & Fire (12-) Hardware
- Surface applied to frame
- Black nylon coated
- Replaces 629 Strike



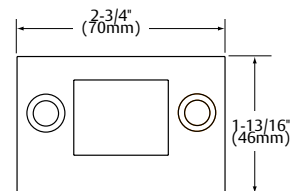
### 624 Bottom Strike

- Standard for 8700
- Applied to surface of floor or to a flat threshold
- Black nylon coated



### 655 Bottom Strike

- Standard for 12-8700 and 14-8700
- Stainless steel
- Black nylon coated
- Replaces 647 Strike



### Specifications for 8700 Series Exit

Door Types	Wood or metal 1 3/4" (44mm) minimum thickness. For doors over 1-3/4" to 2-1/4" thick, specify thickness and order as 31- Option 4-1/2" (114mm) minimum stile with trim and 3-1/2" (44mm) minimum stile without trim.
Rail sizes as determined by door width	Rails are available in 4 sizes, use door width to determine size needed. Rails will be factory cut to size, if door width is supplied <ul style="list-style-type: none"> <li>• E Rail for 24" to 32" door widths, No cutting required for 32" door</li> <li>• F Rail for 33" to 36" door widths, No cutting required for 36" door</li> <li>• J Rail for 37" to 42" door widths, No cutting required for 42" door</li> <li>• G Rail for 43" to 48" door widths, No cutting required for 48" door</li> </ul>
Strike	646 Top Strike (Panic and Fire Rated) 624 Bottom Strike; 655 Fire Rated Bottom Strike
Dogging Feature	Hex key dogging standard on non fired rated devices; specify 16- for cylinder dogging (#41 cylinder supplied)
Electric Options	AL- Alarm BT- Beacon™ PL- SARGuide Photoluminescent Coated TL- SARGuide Illuminated Touchpad 53- LX Latchbolt Monitor 54- Outside Lever Monitoring 55- Request-to-Exit Signal - Rail Monitoring 56- ELR Remote Latch Retraction 57- Delay Egress & Electromagnets 58- Electric Dogging 59- Electroguard – Self Contained Delayed Egress
Mounting Fasteners	Supplied standard with wood and machine screws Available with through-bolts and mortise (sex) nuts
Top & Bottom Bolt	Brass, Stainless steel
Device Centerline from	41" (1041 mm) for Standard Applications; 38" (965mm) for elementary schools and to meet local accessibility standards when a 300 Series Auxiliary Control is used
Door/Opening Height	<b>Must be specified</b> - 120" (3048mm) Max Door Opening
Center Case Dimensions	8-3/8" (213mm) x 2-5/8" (67mm)
Projection	Pushbar Neutral – 3" (76mm) Pushbar Depressed – 2-1/8" (54mm)
Fire Exit Hardware	See Chart – Page 3

### Inside Lever Assembly for 300 Series Aux Control

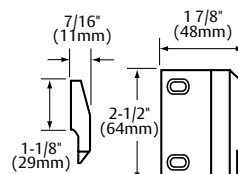


Attaches to top rod and engages with 300 Series Auxiliary Control. Packed standard with 306 and 313 Auxiliary Controls  
Part # 97-2378

### 648 & 653 Strikes (Alternate Strikes for 8700 SVR Devices)

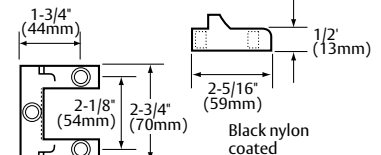
#### 648 Strike

For doors having transom panel applications  
Black nylon coated



#### 653 Strike

Alternate for 12-8700



## 8700 Functions & Trims

### 80 Series

<b>How to order:</b>	<b>Options</b> F1-83-	<b>Series</b> 87	<b>Function</b> 13	<b>Rail Lgth</b> F	<b>Trim</b> ETL	<b>Hand</b> RHR	<b>Outside Finish</b> 32D	<b>Inside Finish</b> 10B	<b>Door Width</b> 36"	<b>Door Height</b> 84"	<b>AFF</b> 41"
----------------------	--------------------------	---------------------	-----------------------	-----------------------	--------------------	--------------------	------------------------------	-----------------------------	--------------------------	---------------------------	-------------------

#### 700 Series ET Trim



Exits with ET Trim, specify lever design after the ET designation (e.g., ETL)

#### Lever Designs for ET Controls

A, B, E, F, J, L, P, W  
Also available with Coastal Series & Studio Collection Levers

#### ET Designation with Suffix (Used to order ET without device)

8700 Series: 706, 710, 713, 715, 740, 743, 744, 746, 773 & 774

#### Freewheeling Trim

The lever rotates when the door is locked preventing excessive force from being applied to the horizontal lever

#### Electrified ET Trim

Voltage must be specified for the following functions: 73 and 74.  
Specify: 12VDC or 24VDC

SARGENT Function Numbers	ANSI Function Numbers	Description & Cylinder Info. (1-3/4" Door)	ANSI Type 2 8700 Panic & Fire
06	09	Key unlocks Trim, Trim retracts latch/ Trim relocks when key is removed #41 Cylinder Supplied	8706 x ET_
10	01	No outside operation (No Cylinder)**	8710
10	02	No outside operation (No Cylinder)** ET Control is used as Pull Only	8710 x ET_
13	08	Key Outside Unlocks/locks Trim #41 Cylinder Supplied	8713 x ET_
15	14	Passage Only (No cylinder)	8715 x ET_
40	02	Freewheeling Trim - No outside Operation (No Cylinder)** Dummy Trim	8740 x ET_
43	08	Freewheeling Trim - Key Outside Unlocks/locks Trim #41 Cylinder Supplied	8743 x ET_
46	09	Freewheeling Trim - Key unlocks Trim, Trim retracts latch/ relocks when key is removed #41 Cylinder Supplied	8746 x ET_
73		Electrified ET Trim - Fail Safe Power Off, Unlocks Lever (No Cylinder)**	8773 x ET_
74		Electrified ET Trim - Fail Secure Power Off, Locks Lever (No Cylinder)**	8774 x ET_

**Note:** Exit devices are available in all standard finishes, except 14, 15, 26 & 26D. With these finishes, exit devices are supplied in 32 or 32D to match accordingly. 26 or 26D is automatically supplied when 32 or 32D is specified. For nickel finishes, specify 14/32 or 15/32D to receive nickel finished trims and stainless exit devices.

**Note:** AFF means Above Finished Floor, center line of rail Above Finished Floor

\*\* Cylinder Override is available with a 306 Aux Control

Example Order: 8773F 12V x ETMG x 306 x RHR x 32D x 36" w x 84" h

#### Options

##### 8700

#### Mechanical Options:

- 12-
- 14-
- 16-
- 19-
- 31-
- 36-
- 37-
- 43-
- 53-
- 54-
- 55-
- 56-
- 56-HK-
- 57-
- 58-
- 59-
- BC-59-
- 76-
- 85-
- 86-
- 87-
- AL-
- BT-
- CPC-
- LD-
- PL-
- SC-
- TB-
- TL-

#### Cylinder Options:

- 10-
- 10-21-
- 10UL-
- 10-63-
- 11-
- 11-21-
- 11-60-
- 11-63-
- 11-64-
- 11-70-7P-
- 11-72-7P-
- 11-73-7P-
- 11-65-73-7P-
- 21-
- 22-
- 51-
- 52-
- 60-
- 63-
- 64-
- 70-
- 72-
- 73-
- 65-73-
- 65-73-7P-
- 73-7P-
- 81-
- 82-
- 83-
- F1-83-
- 84-
- BR-
- LC-
- SC-
- SE-

#### 300 Series++

#### Auxiliary Control & 862 Pull



300 Series  
Aux. Control



862 Pull

SARGENT Function Numbers	ANSI Function Numbers	Description & Cylinder Info. (1-3/4" Door)	8700 Panic & Fire
06	12	Key unlocks Turn; Turn retracts latch/ Turn relocks when key is removed #41 Cylinder Supplied	8710 x 306
10	02	862 Pull Only (Optional Pulls: 863 & 864)	8710 x 862
13	11	Key Outside Unlocks/locks Turn #41 Cylinder Supplied	8710 x 313

**Note:** When ordering 8700 Series Exit Device x 300 Series Aux. Control, specify 10 Function for the exit. Example: 8710F x 306 x RHR x 32D x 42" x 90"

**++ Note:** Exit Devices must be mounted 38" AFF when used with a 300 Series Auxiliary Controls to meet ICC/ANSI A117.1-2003 Accessible & Usable Buildings and Facilities Code

#### Pull & Thumb Piece Trim Section

#### Trim Designations

- Use three letter designations (Ex "PTB") when ordering the Exit Device with trim
- Use the six digit designation (Ex "866-MAL") when ordering trim without an Exit Device, always specify finish

SARGENT Function Numbers	ANSI Function Numbers	Description & Cylinder Info. (1-3/4" Door)	8700 Panic & Fire
10	02	Pull Only (No Cylinder)**	8710 x Trim Designation
28	15	Passage Only (No cylinder)	8728 x Trim Designation
62	06	Key unlocks Trim, Trim retracts latch/ Trim relocks when key is removed #34 Cylinder Supplied	8762 x Trim Designation
63	05	Key Outside Unlocks/locks Trim #34 Cylinder Supplied	8763 x Trim Designation

\*\*\* Cylinder Override is available with a 306 Aux Control

**Note:** Thumb piece trims for 62 and 63 function devices are identical and are identified as 66 function when trim is ordered separately.

**Note:** FLW trim is not available in 32(629) or 32D(630)

#### Available Finishes

SARGENT Finishes	BHMA Finishes
03	605
04	606
09	611
10	612
10B	613
10BE	613E
10BL	614
14	618
15	619
20D	624
26	625
26D	626
32	629
32D	630

# NB-8700 Top Latch Surface Vertical Rod Exit Device

80 Series

**SARGENT®**

**ASSA ABLOY**



## Features

- Single point top latching
- Top latchbolt projection adjustable through center case
- Devices are ANSI A156.3
- UL Fire and Panic listed
- Tripping potential removed - no bottom strike
- Rods are 1/2" (13mm) brass, bronze or stainless steel

## Specifications for NB-8700 Series Exit

Door Types	Wood or metal 1-3/4" (44mm) minimum thickness. For doors over 1-3/4" to 2-1/4" thick, specify thickness and order as 31- Option 4-1/2" (114mm) minimum stile with trim and 3-1/2" (44mm) minimum stile without trim.
Rail sizes as determined by door width	Rails are available in 4 sizes, use door width to determine size needed. Rails will be factory cut to size, if door width is supplied <ul style="list-style-type: none"> <li>• E Rail for 24" to 32" door widths, No cutting required for 32" door</li> <li>• F Rail for 33" to 36" door widths, No cutting required for 36" door</li> <li>• J Rail for 37" to 42" door widths, No cutting required for 42" door</li> <li>• G Rail for 43" to 48" door widths, No cutting required for 48" door</li> </ul>
Strike	646 Top Strike (Panic and Fire Rated)
Dogging Feature	Hex key dogging standard on non fired rated devices; specify 16- for cylinder dogging (#41 cylinder supplied)
Electric Options	AL- Alarm BT- Beacon™ PL- SARGuide Photoluminescent Coated TL- SARGuide Illuminated Touchpad 53- LX Latchbolt Monitor 54- Outside Lever Monitoring 55- Request-to-Exit Signal - Rail Monitoring 56- Remote Latch Retraction 57- Delay Egress & Electromagnets 58- Electric Dogging
Mounting Fasteners	Supplied standard with wood and machine screws Available with through-bolts and mortise (sex) nuts
Top Bolt	Stainless steel
Device Centerline from Finished Floor	41" (1041mm) for Standard Applications
Door/Opening Height	<b>Must be specified</b> - 120" (3048mm) Max Door Opening
Center Case Dimensions	8-3/8" (213mm) x 2-5/8" (67mm)
Projection	Pushbar Neutral - 3" (76 mm) Pushbar Depressed - 2-1/8" (54 mm)
Fire Exit Hardware	See Chart - Page 3

## NB-300 Series Aux Control

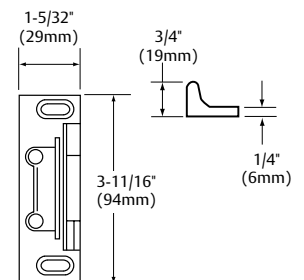
- Available as an 06 or 13 function
- Supplied with SARGENT #41 Mortise Cylinder
- NB-300 is mounted in-line with the exit chassis



**Note:** NB 300 Series Controls only work with NB8710 Devices

## 646 Top Strike

- Standard for both Panic & Fire (12-) Hardware
- Surface applied
- Fire Rated
- Black nylon coated



## NB-8700 Functions & Trims

### 80 Series

<b>How to order:</b>	<b>Options</b>	<b>Series</b>	<b>Function</b>	<b>Rail Lgth</b>	<b>Trim</b>	<b>Hand</b>	<b>Outside Finish</b>	<b>Inside Finish</b>	<b>Door Width</b>	<b>Door Height</b>	<b>AFF</b>
	12-	NB-87	13	F	ETL	RHR	26D	32D	36"	84"	41"

#### 700 Series ET Trim



Exits with ET Trim, specify lever design after the ET designation (e.g., ETL)

#### Lever Designs for ET Controls

A, B, E, F, J, L, P, W  
Also available with Coastal Series & Studio Collection Levers

#### ET Designation with Suffix (Used to order ET without device)

NB-8700 Series: 706-8, 710, 713-8, 715-8, 740, 743-8, 746-8, 773-8 & 774-8

#### Freewheeling Trim

The lever rotates when the door is locked preventing excessive force from being applied to the horizontal lever


#### Electrified ET Trim

Voltage must be specified for the following functions: 73 and 74.  
Specify: 12VDC or 24VDC

SARGENT Function Numbers	ANSI Function Numbers	Description & Cylinder Info (1-3/4" Door)	ANSI Type 2 NB-8700 (Panic & Fire)
06	09	Key unlocks Trim, Trim retracts latch/ Trim relocks when key is removed #41 Cylinder Supplied	NB-8706 x ET_
10	01	No outside operation (No Cylinder)	NB-8710
10	02	No outside operation (No Cylinder) ET Control is used as Pull Only	NB-8710 x ET_
13	08	Key Outside unlocks/locks trim #41 Cylinder Supplied	NB-8713 x ET_
15	14	Passage Only (No cylinder)	NB-8715 x ET_
40	02	Freewheeling Trim - No outside operation (No Cylinder) Dummy Trim	NB-8740 x ET_
43	08	Freewheeling Trim - Key Outside Unlocks/locks Trim #41 Cylinder Supplied	NB-8743 x ET_
46	09	Freewheeling Trim - Key unlocks Trim, Trim retracts latch/ relocks when key is removed #41 Cylinder Supplied	NB-8746 x ET_
73		Electrified ET Trim - Fail Safe Power Off, Unlocks Lever (No Cylinder)***	NB-8773 x ET_
74		Electrified ET Trim - Fail Secure Power Off, Locks Lever (No Cylinder)***	NB-8774 x ET_

**Note:** Exit devices are available in all standard finishes, except 14, 15, 26 & 26D. With these finishes, exit devices are supplied in 32 or 32D to match accordingly. 26 or 26D is automatically supplied when 32 or 32D is specified. For nickel finishes, specify 14/32 or 15/32D to receive nickel finished trims and stainless exit devices.  
**Note:** AFF means Above Finished Floor, center line of rail Above Finished Floor  
\*\*\* Cylinder override is not available with NB-8700 Series Devices



NB-300 Series Auxiliary Control	SARGENT Function Numbers	ANSI Function Numbers	Description & Cylinder Info (1-3/4" Door)	NB-8700 Panic & Fire
 NB300 Series Aux. Control	06	12	Key unlocks Turn, Turn retracts latch/ Turn relocks when key is removed #41 Cylinder Supplied	NB-8710 x 306
	13	11	Key Outside Unlocks/locks Turn #41 Cylinder Supplied	NB-8710 x 313

**Note:** When ordering NB-8700 Series Exit Device x 300 Series Aux. Control, specify 10 Function for the exit.  
Example: NB-8710F x NB-306 x RHR x 32D x 42" x 90"

**Note:** NB-300 Series auxiliary controls are only used with NB-8710 Devices.  
Auxiliary controls, ordered less hardware, for use with NB-8710 are specified as a NB-306 or NB-313 x finish.

#### Options

##### NB-8700

##### Mechanical Options:

12-  
16-  
19-  
31-  
36-  
37-  
43-  
53-  
54-  
55-  
56-  
56-HK-  
57-  
58-  
76-  
85-  
86-  
87-  
AL-  
BT-  
CPC-  
LD-  
PL-  
SG-  
TB-  
TL-

##### Cylinder Options:

10-  
10-21-  
10UL-  
10-63-  
11-  
11-21-  
11-60-  
11-63-  
11-64-  
11-70-7P-  
11-72-7P-  
11-73-7P-  
11-65-73-7P-  
21-  
22-  
51-  
52-  
60-  
63-  
64-  
70-  
72-  
73-  
65-73-  
65-73-7P-  
73-7P-  
81-  
82-  
F1-82-  
83-  
F1-83-  
84-  
BR-  
LC-  
SC-  
SE-

#### Available Finishes

SARGENT Finishes	BHMA Finishes
03	605
04	606
09	611
10	612
10B	613
10BE	613E
10BL	614
14	618
15	619
20D	624
26	625
26D	626
32	629
32D	630



# MD8600 & NB-MD8600 Concealed Vertical Rod Exit Device for Metal Doors

80 Series

**SARGENT®**  
**ASSA ABLOY**

## MD8600 Series Concealed Vertical Rod Exit Device for Metal Doors



### Features

- Designed for standard width stile applications on hollow metal doors
- Concealed rods for security and aesthetics
- Single and double door applications
- Specify NB- for less bottom rod
  - NB not available with HC and WS options
- Devices are ANSI A156.3
- UL Fire and Panic listed

### Specifications for MD8600 & NB-MD8600 Series Exit

Door Types	Metal Doors, 1-3/4" (44mm) minimum thickness. For doors over 1-3/4" to 2-1/4" thick, specify thickness and order as 31- Option 4-1/2" (114mm) minimum stile width
Rail sizes as determined by door width	Rails are available in 4 sizes, use door width to determine size needed. Rails will be factory cut to size, if door width is supplied <ul style="list-style-type: none"> <li>• E Rail for 24" to 32" door widths, No cutting required for 32" door</li> <li>• F Rail for 33" to 36" door widths, No cutting required for 36" door</li> <li>• J Rail for 37" to 42" door widths, No cutting required for 42" door</li> <li>• G Rail for 43" to 48" door widths, No cutting required for 48" door</li> </ul>
Strike	650 Top Strike & 606 Bottom Strike (Panic and Fire Rated)
Dogging Feature	Hex key dogging standard on non fired rated devices; specify 16- for cylinder dogging (#41 cylinder supplied)
Electric Options	AL- Alarm BT- Beacon™ PL- SARGuide Photoluminescent Coated TL- SARGuide Illuminated Touchpad 53- LX Latchbolt Monitor 54- Outside Lever Monitoring 55- Request-to-Exit Signal - Rail Monitoring 56- Remote Latch Retraction 57- Delay Egress & Electromagnets 58- Electric Dogging 59- Electroguard – Self Contained Delayed Egress (NB- Excluded)
Mounting Fasteners	Supplied standard with machine screws
Top Bolt	Stainless steel
Device Centerline from Finished Floor	41" (1041mm) for Standard Applications 38" (965mm) for elementary schools and to meet local accessibility standards when a 100 Series Auxiliary Control is used
Door/Opening Height	<b>Must be specified</b> - 120" (3048mm) Max Door Opening 96" max door height for HC and WS options
Center Case Dimensions	8-3/8" (213mm) x 2-5/8" (67mm)
Projection	Pushbar Neutral – 3" (76mm) Pushbar Depressed – 2-1/8" (54mm)
Fire Exit Hardware	See Chart – Page 3

**Note:** MD8600 & 12-MD8600 can be used as NB- Device by simply not installing the bottom rod/bolt.

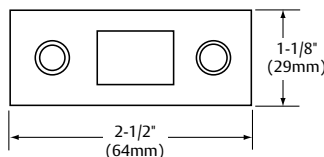
**Note:** 12-NB Applications require thermal pin. Thermal Pin supplied when ordered as a 12-NB Device

### 100 Series Aux Control

- Available as an 06 or 13 function
- Supplied with a SARGENT #41 Mortise Cylinder
- Can be used with any SARGENT Mortise Key System

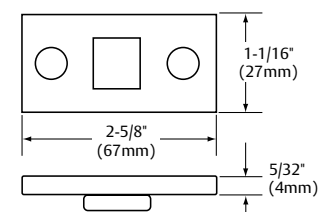


### 650 Top Strike



- For application in hollow metal frames
- Stainless steel nylon coated

### 606 Bottom Strike



- Furnished with expansion shields
- Mortised into floor
- Stainless steel

# MD8600 & NB-MD8600 Functions & Trims for Metal Doors

## 80 Series

# SARGENT®

# ASSA ABLOY

<b>How to order:</b>	<b>Options</b> 57-NB-	<b>Series</b> MD86	<b>Function</b> 13	<b>Rail Lgth</b> F	<b>Trim</b> ETL	<b>Hand</b> RHR	<b>Outside Finish</b> 03	<b>Inside Finish</b> 03	<b>Door Width</b> 36"	<b>Door Height</b> 84"	<b>AFF</b> 41"	<b>Options</b> MD8600
----------------------	--------------------------	-----------------------	-----------------------	-----------------------	--------------------	--------------------	-----------------------------	----------------------------	--------------------------	---------------------------	-------------------	--------------------------

### 700 Series ET Trim



Exits with ET Trim, specify lever design after the ET designation (e.g., ETL)

SARGENT Function Numbers	ANSI Function Numbers	Description & Cylinder Info (1-3/4" Door)	ANSI Type 8 MD8600 Panic & Fire
06	09	Key unlocks Trim, Trim retracts latch/ Trim relocks when key is removed #41 Cylinder Supplied	MD8606 x ET_
10	01	No outside operation (No Cylinder)**	MD8610
10	02	No outside operation (No Cylinder)** ET Control is used as Pull Only	MD8610 x ET_
13	08	Key Outside Unlocks/locks Trim #41 Cylinder Supplied	MD8613 x ET_
15	14	Passage Only (No cylinder)	MD8615 x ET_
40	02	Freewheeling Trim - No outside Operation (No Cylinder)** Dummy Trim	MD8640 x ET_
43	08	Freewheeling Trim - Key Outside Unlocks/locks Trim #41 Cylinder Supplied	MD8643 x ET_
46	09	Freewheeling Trim - Key unlocks Trim, Trim retracts latch/ Trim relocks when key is removed #41 Cylinder Supplied	MD8646 x ET_
73		Electrified ET Trim - Fail Safe Power Off, Unlocks Lever (No Cylinder)**	MD8673 x ET_
74		Electrified ET Trim - Fail Secure Power Off, Locks Lever (No Cylinder)**	MD8674 x ET_

### Lever Designs for ET Controls

A, B, E, F, J, L, P, W  
Also available with Coastal Series & Studio Collection Levers

### ET Designation with Suffix (Used to order ET without device)

MD8600 & NB-MD8600 Series:  
706-4, 710-4, 713-4, 715-4, 740-4, 743-4, 746-4, 773-4, & 774-4

### Freewheeling Trim

The lever rotates when the door is locked preventing excessive force from being applied to the horizontal lever

### Electrified ET Trim

Voltage must be specified for the following functions: 73 and 74.  
Specify: 12VDC or 24VDC

**Note:** Exit devices are available in all standard finishes, except 14, 15, 26 & 26D. With these finishes, exit devices are supplied in 32 or 32D to match accordingly. 26 or 26D is automatically supplied when 32 or 32D is specified. For nickel finishes, specify 14/32 or 15/32D to receive nickel finished trims and stainless exit devices.  
**Note:** AFF means Above Finished Floor, center line of rail Above Finished Floor  
\*\* Cylinder Override is available with a 106 Aux Control  
Example Order: MD8673F 12V x ETMG x 106 x RHR x 32D x 36" w x 84" h

### 100 Series Auxiliary Control++ & 862 Pull



100 Series Aux. Control



862 Pull

SARGENT Function Numbers	ANSI Function Numbers	Description & Cylinder Info (1-3/4" Door)	MD8600 Panic & Fire
06	12	Key unlocks Turn, Turn retracts latch/ Turn relocks when key is removed #41 Cylinder Supplied	MD8610 x 106
10	02	862 Pull Only (Optional Pulls: 863 & 864)	MD8610 x 862 Pull
13	11	Key Outside Unlocks/locks Turn #41 Cylinder Supplied	MD8610 x 113

**Note:** When ordering MD8600/NB-MD8600 Series Exit Device x 100 Series Aux. Control, specify 10 Function for the exit.  
Example: MD8610F x 106 x RHR x 32D x 42" x 90"

++ **Note:** Exit Devices must be mounted 38" AFF when used with a 100 Series Auxiliary Controls to meet ICC/ANSI A117.1-2003 Accessible & Usable Buildings and Facilities Code

### Mechanical Options:

- 12-
- 16-
- 19-
- 31-
- 36-
- 37-
- 43-
- 53-
- 54-
- 55-
- 56-
- 56-HK-
- 57-
- 58-
- 59-
- BC-59-
- 76-
- 85-
- 86-
- 87-
- AL-
- BT-
- CPC-
- HC-
- LD-
- NB-
- PL-
- SG-
- TL-
- WS-

### Cylinder Options:

- 10-
- 10-21-
- 10UL-
- 10-63-
- 11-
- 11-21-
- 11-60-
- 11-63-
- 11-64-
- 11-70-7P-
- 11-72-7P-
- 11-73-7P-
- 11-65-73-7P-
- 21-
- 22-
- 51-
- 52-
- 60-
- 63-
- 64-
- 70-
- 72-
- 73-
- 65-73-
- 65-73-7P-
- 73-7P-
- 81-
- 82-
- F1-82-
- F1-83-
- 84-
- BR-
- LC-
- SC-
- SE-

### Available Finishes

SARGENT Finishes	BHMA Finishes
03	605
04	606
09	611
10	612
10B	613
10BE	613E
10BL	614
14	618
15	619
20D	624
26	625
26D	626
32	629
32D	630

Copyright © 1998-2014, Sargent Manufacturing Company, an ASSA ABLOY Group company. All rights reserved. Reproduction in whole or in part without the express written permission of Sargent Manufacturing Company is prohibited.

90641-P/6/1/14

# AD8600 & NB-AD8600 Concealed Vertical Rod Exit Device for Aluminum Doors

80 Series

**SARGENT®**  
**ASSA ABLOY**

## AD8600 Series

Concealed Vertical Rod Exit Device  
for Aluminum Doors



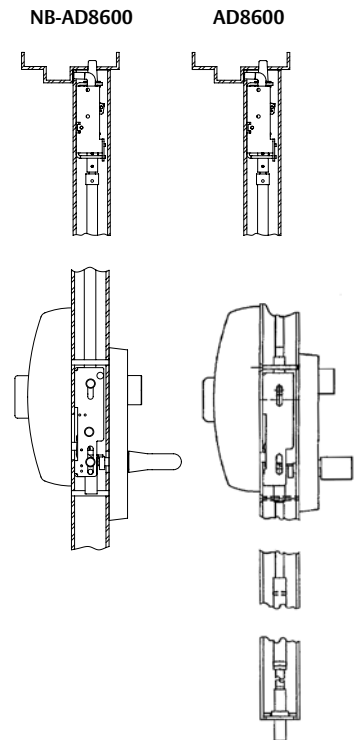
### Features

- Designed for standard width stile applications on aluminum doors
- Concealed rods for security and aesthetics
- Single and double door applications
- Specify NB- for less bottom rod
- Devices are ANSI A156.3
- UL Panic listed only

### Specifications for AD8600 & NB-AD8600 Series Exit

Door Types	Aluminum, 1-3/4" (44mm) minimum thickness. For doors over 1-3/4" to 2-1/4" thick, specify thickness and order as 31- Option 4-1/2" (114mm) minimum stile width
Rail sizes as determined by door width	Rails are available in 4 sizes, use door width to determine size needed. Rails will be factory cut to size, if door width is supplied <ul style="list-style-type: none"> <li>• E Rail for 24" to 32" door widths, No cutting required for 32" door</li> <li>• F Rail for 33" to 36" door widths, No cutting required for 36" door</li> <li>• J Rail for 37" to 42" door widths, No cutting required for 42" door</li> <li>• G Rail for 43" to 48" door widths, No cutting required for 48" door</li> </ul>
Strike	640 Strikes for Top & Bottom Strike
Dogging Feature	Hex key dogging standard on non fired rated devices; specify 16- for cylinder dogging (#41 cylinder supplied)
Electric Options	AL- Alarm BT- Beacon™ PL- SARGuide Photoluminescent Coated TL- SARGuide Illuminated Touchpad 53- LX Latchbolt Monitor 54- Outside Lever Monitoring 55- Request-to-Exit Signal - Rail Monitoring 56- Remote Latch Retraction 57- Delay Egress & Electromagnets 58- Electric Dogging 59- Electroguard – Self Contained Delayed Egress (NB- Excluded)
Mounting Fasteners	Supplied standard with machine screws
Top Bolt	Stainless steel
Device Centerline from Finished Floor	41" (1041mm) for Standard Applications 38" (965mm) for elementary schools and to meet local accessibility standards when a 100 Series Auxiliary Control is used
Door/Opening Height	Must be specified - 120" (3048mm) Max Door Opening
Center Case Dimensions	8-3/8" (213mm) x 2-5/8" (67mm)
Projection	Pushbar Neutral – 3" (76mm) Pushbar Depressed – 2-1/8" (54mm)
Fire Exit Hardware	Not Available

Note: AD8600 can be used as NB- Device by simply not installing the bottom rod/bolt.



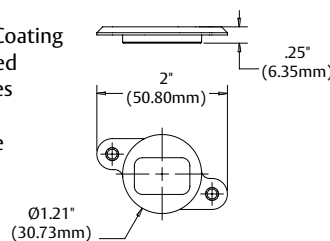
### 100 Series Aux Control

- Available as an 06 or 13 function
- Supplied with a SARGENT #41 Mortise Cylinder
- Can be used with any SARGENT Mortise Key System



### 639/640 Strike Kits

- Steel with Black Nylon Coating
- Machine Screws Supplied
- 640 Kit contains 2 strikes (Top & Bottom)
- 639 Kit contains 1 strike (Top Only)



# AD8600 & NB-AD8600

## Functions & Trims for Aluminum Doors

### 80 Series

# SARGENT®

# ASSA ABLOY

**How to order:** Options 56-NB- Series AD86 Function 13 Rail Lgth F Trim ETL Hand RHR Outside Finish 15 Inside Finish 32D Door Width 36" Door Height 84" AFF 41"

#### 700 Series ET Trim



Exits with ET Trim, specify lever design after the ET designation (e.g., ETL)

SARGENT Function Numbers	ANSI Function Numbers	Description & Cylinder Info (1-3/4" Door)	ANSI Type 8 AD8600 Panic
06	09	Key unlocks Trim, Trim retracts latch/ Trim relocks when key is removed #41 Cylinder Supplied	AD8606 x ET_
10	01	No outside operation (No Cylinder)**	AD8610
10	02	No outside operation (No Cylinder)** ET Control is used as Pull Only	AD8610 x ET_
13	08	Key Outside Unlocks/locks Trim #41 Cylinder Supplied	AD8613 x ET_
15	14	Passage Only (No cylinder)	AD8615 x ET_
40	02	Freewheeling Trim - No outside operation (No Cylinder)** Dummy Trim	AD8640 x ET_
43	08	Freewheeling Trim - Key Outside Unlocks/locks Trim #41 Cylinder Supplied	AD8643 x ET_
46	09	Freewheeling Trim - Key unlocks Trim, Trim retracts latch/ Trim relocks when key is removed #41 Cylinder Supplied	AD8646 x ET_
73		Electrified ET Trim - Fail Safe Power Off, Unlocks Lever (No Cylinder)**	AD8673 x ET_
74		Electrified ET Trim - Fail Secure Power Off, Locks Lever (No Cylinder)**	AD8674 x ET_

#### Lever Designs for ET Controls

A, B, E, F, J, L, P, W  
Also available with Coastal Series & Studio Collection Levers

#### ET Designation with Suffix (Used to order ET without device)

AD8600 & NB-AD8600 Series:  
706-4, 710-4, 713-4, 715-4, 740-4, 743-4, 746-4, 773-4, & 774-4

#### Freewheeling Trim

The lever rotates when the door is locked preventing excessive force from being applied to the horizontal lever

#### Electrified ET Trim

Voltage must be specified for the following functions: 73 and 74.  
Specify: 12VDC or 24VDC

**Note:** Exit devices are available in all standard finishes, except 14, 15, 26 & 26D. With these finishes, exit devices are supplied in 32 or 32D to match accordingly. 26 or 26D is automatically supplied when 32 or 32D is specified. For nickel finishes, specify 14/32 or 15/32D to receive nickel finished trims and stainless exit devices.  
**Note:** AFF means Above Finished Floor, center line of rail Above Finished Floor  
\*\* Cylinder Override is available with a 106 Aux Control  
Example Order: AD8673F 12V x ETMG x 106 x RHR x 32D x 36" w x 84" h

#### 100 Series Auxiliary Control++ & 862 Pull



SARGENT Function Numbers	ANSI Function Numbers	Description & Cylinder Info (1-3/4" Door)	AD8600 Panic
06	12	Key unlocks Turn, Turn retracts latch/ Turn relocks when key is removed #41 Cylinder Supplied	AD8610 x 106
10	02	862 Pull Only (Optional Pulls: 863 & 864)	AD8610 x 862 Pull
13	11	Key Outside Unlocks/locks Turn #41 Cylinder Supplied	AD8610 x 113

**Note:** When ordering AD8600/NB-AD8600 Series Exit Device x 100 Series Aux. Control, specify 10 Function for the exit.  
Example: AD8610F x 106 x RHR x 32D x 42" x 90"

++ **Note:** Exit Devices must be mounted 38" AFF when used with a 100 Series Auxiliary Controls to meet ICC/ANSI A117.1-2003 Accessible & Usable Buildings and Facilities Code

#### Options

AD8600

#### Mechanical Options:

- 16-
- 19-
- 31-
- 36-
- 37-
- 43-
- 53-
- 54-
- 55-
- 56-
- 56-HK-
- 57-
- 58-
- 59-
- BC-59-
- 76-
- 85-
- 86-
- 87-
- AL-
- BT-
- CPC-
- LD-
- NB-
- PL-
- SG-
- TL-

#### Cylinder Options:

- 10-
- 10-21-
- 10UL-
- 10-63-
- 11-
- 11-21-
- 11-60-
- 11-63-
- 11-64-
- 11-70-7P-
- 11-72-7P-
- 11-73-7P-
- 11-65-73-7P-
- 21-
- 22-
- 51-
- 52-
- 60-
- 63-
- 64-
- 70-
- 72-
- 73-
- 65-73-
- 65-73-7P-
- 73-7P-
- 81-
- 82-
- F1-82-
- 83-
- F1-83-
- 84-
- BR-
- LC-
- SC-
- SE-

#### Available Finishes

SARGENT Finishes	BHMA Finishes
03	605
04	606
09	611
10	612
10B	613
10BE	613E
10BL	614
14	618
15	619
20D	624
26	625
26D	626
32	629
32D	630

Copyright © 1998-2014, Sargent Manufacturing Company, an ASSA ABLOY Group company. All rights reserved. Reproduction in whole or in part without the express written permission of Sargent Manufacturing Company is prohibited.

90641-P/6/1/14

# WD8600 & NB-WD8600 Concealed Vertical Rod Exit Device for Wood Doors

80 Series

**SARGENT®**  
**ASSA ABLOY**



**WD8600 Series**  
**Concealed Vertical Rod Exit Device  
for Wood Doors**

## Features

- Designed for standard width stile applications on wood doors
- Concealed rods offer security
- Single and double door applications
- Specify NB- for less bottom rod
- Devices are ANSI A156.3
- UL Fire and Panic listed

## Specifications for WD8600 & NB-WD8600 Series Exit

Door Types	Wood, 1-3/4" (44mm) minimum thickness. For doors over 1-3/4" to 2-1/4" thick, specify thickness and order as 31-Option 4-1/2" (114mm) minimum stile width
Rail sizes as determined by door width	Rails are available in 4 sizes, use door width to determine size needed. Rails will be factory cut to size, if door width is supplied <ul style="list-style-type: none"> <li>• E Rail for 24" to 32" door widths, No cutting required for 32" door</li> <li>• F Rail for 33" to 36" door widths, No cutting required for 36" door</li> <li>• J Rail for 37" to 42" door widths, No cutting required for 42" door</li> <li>• G Rail for 43" to 48" door widths, No cutting required for 48" door</li> </ul>
Strike	650 Top Strike & 606 Bottom Strike (Panic and Fire Rated)
Dogging Feature	Hex key dogging standard on non fired rated devices; specify 16- for cylinder dogging (#41 cylinder supplied)
Electric Options	AL- Alarm BT- Beacon™ PL- SARGuide Photoluminescent Coated TL- SARGuide Illuminated Touchpad 53- LX Latchbolt Monitor 54- Outside Lever Monitoring 55- Request-to-Exit Signal - Rail Monitoring 56- Remote Latch Retraction 57- Delay Egress & Electromagnets 58- Electric Dogging 59- Electroguard – Self Contained Delayed Egress (NB- Excluded)
Mounting Fasteners	Supplied standard with wood screws
Top Bolt	Stainless steel
Device Centerline from Finished Floor	41" (1041mm) for Standard Applications 38" (965mm) for elementary schools and to meet local accessibility standards when a 100 Series Auxiliary Control is used
Door/Opening Height	<b>Must be specified</b> - 108" (2743mm) Max Door Opening
Center Case Dimensions	8-3/8" (213mm) x 2-5/8" (67mm)
Projection	Pushbar Neutral – 3" (76mm) Pushbar Depressed – 2-1/8" (54mm)
Fire Exit Hardware	See Chart – Page 3

**Note:** WD8600 & 12-WD8600 can be used as NB- Device by simply not installing the bottom rod/bolt.

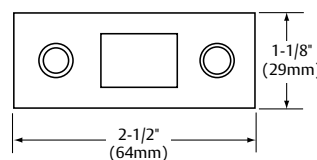
**Note:** 12-NB applications require thermal pin. Thermal pin supplied when ordered as a 12-NB device

## 100 Series Aux Control

- Available as an 06 or 13 function
- Supplied with a SARGENT #41 Mortise Cylinder
- Can be used with any SARGENT Mortise Key System

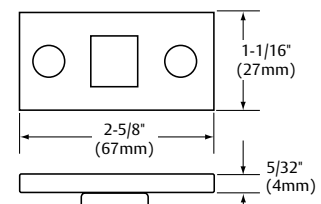


## 650 Top Strike



- For application in hollow metal frames
- Stainless steel

## 606 Bottom Strike



- Furnished with expansion shields
- Mortised into floor
- Stainless steel

# WD8600 & NB-WD8600

## Functions & Trims for Wood Doors

### 80 Series

# SARGENT®

# ASSA ABLOY

How to order:	Options	Series	Function	Rail Lgth	Trim	Hand	Outside Finish	Inside Finish	Door Width	Door Height	AFF
	58-NB-	WD86	13	F	ETL	RHR	26D	32D	36"	84"	41"

#### 700 Series ET Trim



Exits with ET Trim, specify lever design after the ET designation (e.g., ETL)

#### Lever Designs for ET Controls

A, B, E, F, J, L, P, W  
Also available with Coastal Series & Studio Collection Levers

#### ET Designation with Suffix (Used to order ET without device)

MD8600 & NB-MD8600 Series:  
706-4, 710-4, 713-4, 715-4, 740-4,  
743-4, 746-4, 773-4, & 774-4

#### Freewheeling Trim

The lever rotates when the door is locked preventing excessive force from being applied to the horizontal lever

#### Electrified ET Trim

Voltage must be specified for the following functions: 73 and 74.  
Specify: 12VDC or 24VDC

SARGENT Function Numbers	ANSI Function Numbers	Description & Cylinder Info (1-3/4" Door)	ANSI Type 7 WD8600 Panic & Fire
06	09	Key unlocks Trim, Trim retracts latch/ Trim relocks when key is removed #41 Cylinder Supplied	WD8606 x ET_
10	01	No outside operation (No Cylinder)**	WD8610
10	02	No outside operation (No Cylinder)** ET Control is used as Pull Only	WD8610 x ET_
13	08	Key Outside Unlocks/locks Trim #41 Cylinder Supplied	WD8613 x ET_
15	14	Passage Only (No cylinder)	WD8615 x ET_
40	02	Freewheeling Trim - No outside operation (No Cylinder)** Dummy Trim	WD8640 x ET_
43	08	Freewheeling Trim - Key Outside Unlocks/locks Trim #41 Cylinder Supplied	WD8643 x ET_
46	09	Freewheeling Trim - Key unlocks Trim, Trim retracts latch/ Trim relocks when key is removed #41 Cylinder Supplied	WD8646 x ET_
73		Electrified ET Trim - Fail Safe Power Off, Unlocks Lever (No Cylinder)**	WD8673 x ET_
74		Electrified ET Trim - Fail Secure Power Off, Locks Lever (No Cylinder)**	WD8674 x ET_

**Note:** Exit devices are available in all standard finishes, except 14, 15, 26 & 26D. With these finishes, exit devices are supplied in 32 or 32D to match accordingly. 26 or 26D is automatically supplied when 32 or 32D is specified. For nickel finishes, specify 14/32 or 15/32D to receive nickel finished trims and stainless exit devices.

**Note:** AFF means Above Finished Floor, center line of rail Above Finished Floor

\*\* Cylinder Override is available with a 106 Aux Control

Example Order: WD8673F 12V x ETMG x 106 x RHR x 32D x 36" w x 84" h

#### 100 Series Auxiliary Control++ & 862 Pull



100 Series Aux.  
Control



862 Pull

SARGENT Function Numbers	ANSI Function Numbers	Description & Cylinder Info (1-3/4" Door)	WD8600 Panic & Fire
06	12	Key unlocks Turn, Turn retracts latch/ Turn relocks when key is removed #41 Cylinder Supplied	WD8610 x 106
10	02	862 Pull Only (Optional Pulls: 863 & 864)	WD8610 x 862 Pull
13	11	Key Outside Unlocks/locks Turn #41 Cylinder Supplied	WD8610 x 113

**Note:** When ordering WD8600/NB-WD8600 Series Exit Device x 100 Series Aux. Control, specify 10 Function for the exit.  
Example: WD8610F x 106 x RHR x 32D x 42" x 90"

++ **Note:** Exit Devices must be mounted 38" AFF when used with a 300 Series Auxiliary Controls to meet ICC/ANSI A117.1-2003 Accessible & Usable Buildings and Facilities Code

#### Options

WD8600

#### Mechanical Options:

12-  
16-  
19-  
31-  
36-  
37-  
43-  
53-  
54-  
55-  
56-  
56-HK-  
57-  
58-  
59-  
BC-59-  
76-  
85-  
86-  
87-  
AL-  
BT-  
CPC-  
LD-  
NB-  
PL-  
SG-  
TL-

#### Cylinder Options:

10-  
10-21-  
10UL-  
10-63-  
11-  
11-21-  
11-60-  
11-63-  
11-64-  
11-70-7P-  
11-72-7P-  
11-73-7P-  
11-65-73-7P-  
21-  
22-  
51-  
52-  
60-  
63-  
64-  
70-  
72-  
73-  
65-73-  
65-73-7P-  
73-7P-  
81-  
82-  
F1-82-  
83-  
F1-83-  
84-  
BR-  
LC-  
SC-  
SE-

#### Available Finishes

SARGENT Finishes	BHMA Finishes
03	605
04	606
09	611
10	612
10B	613
10BE	613E
10BL	614
14	618
15	619
20D	624
26	625
26D	626
32	629
32D	630

## 8500 Narrow Design Rim Exit Device

80 Series



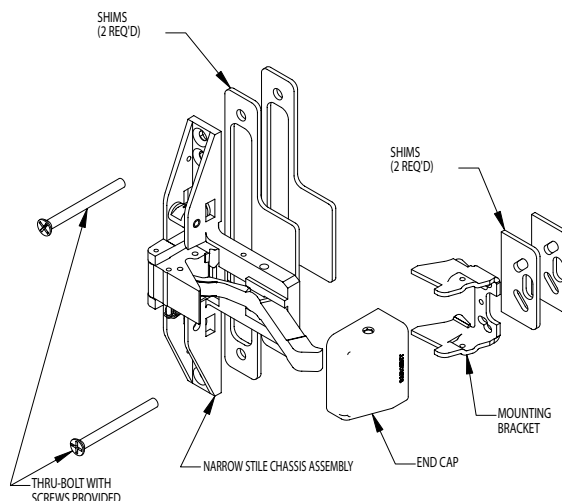
**8500 Series**  
Narrow Design Rim Exit Device

### Specifications for 8500 Series Exit

Door Types	Wood or metal 1-3/4" (44mm) minimum thickness. For doors over 1-3/4" to 2-1/4" thick, specify thickness and order as 31- option. 2" (114mm) minimum stile (Less Trim)
Rail sizes as determined by door width	Rails are available in 4 sizes, use door width to determine size needed. Rails will be factory cut to size, if door width is supplied <ul style="list-style-type: none"> <li>• E Rail for 24" to 32" door widths</li> <li>• F Rail for 33" to 36" door widths</li> <li>• J Rail for 37" to 42" door widths</li> <li>• G Rail for 43" to 48" door widths</li> </ul>
Strike	657 Strike, Supplied standard for panic devices 656 Strike, Supplied standard for panic devices 649 Strike, Supplied standard for fired rated devices Optional Strikes – 649, 658 Standard with 650A Mullion
Dogging Feature	Hex key dogging standard on non fired rated devices; specify 16- for cylinder dogging (#41 cylinder supplied)
Electric Options	AL- Alarm BT- Beacon™ PL- SARGuide Photoluminescent Coated TL- SARGuide Illuminated Touchpad 53- LX Latchbolt Monitor 54- Outside Lever Monitoring 55- Request-to-Exit Signal - Rail Monitoring 56- Remote Latch Retraction 57- Delay Egress & Electromagnets 58- Electric Dogging 59- Electroguard – Self Contained Delayed Egress
Mounting Fasteners	Supplied standard with wood and machine screws Available with through-bolts and mortise (sex) nuts
Latch Bolt	Stainless steel, 3/4" (19mm) throw
Device Centerline from Finished Floor	41" (1041 mm) for Standard Applications
Center Case Dimensions	8-5/16" (211mm) x 1-1/16" (27mm)
Projection	Pushbar Neutral – 3" (77mm) Pushbar Depressed – 2-1/8" (54mm)
Fire Exit Hardware	See Chart – Page 3

### 668 Shim Kits for 8500

- Two Chassis Shims and Two End Cap Shims
- Shims are 1/8" for a total height of 1/4"

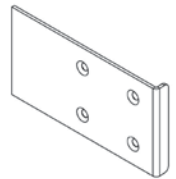


### 8500 Features

- Designed for narrow stile applications (e.g., aluminum frame full glass doors)
- Single and double doors with mullion
- Single point rim latching device
- Quiet operation and solid security
- Devices are ANSI A156.3
- UL Fire and Panic listed

### 604 Wear Plate Kit

- Designed for use with narrow stile aluminum doors
- Field cut to accommodate all door frame face sizes



### 649 Standard Strike for 12-8500



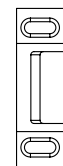
- Surface applied
- Black nylon coated

### 651 Mullion Stabilizer Kit

- Stabilizer block
- Furnished standard w/650A Mullion
- Order as a 651 Kit

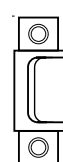


### 656 Mullion Strike



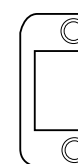
- Surface applied
- Use with 980 mullions
- Black nylon coated

### 657 Standard Strike for 8500



- Surface applied or mortised
- For use on frames with blade stop or integral stop
- Black nylon coated

### 658 Strike alternative for 8500



- Packed standard with 650A mullion
- Can be ordered separately for surface application to frames
- Black nylon coated

## 8500 Narrow Design Rim Exit Device

### 80 Series

<b>How to order:</b>	<b>Options</b> F1-83-56	<b>Series</b> 85	<b>Function</b> 13	<b>Rail Lgth</b> F	<b>Trim</b> ETL	<b>Hand</b> RHR	<b>Outside Finish</b> 15	<b>Inside Finish</b> 32D	<b>Door Width</b> 36"
----------------------	----------------------------	---------------------	-----------------------	-----------------------	--------------------	--------------------	-----------------------------	-----------------------------	--------------------------

#### 700 Series ET Trim



Exits with ET Trim, specify lever design after the ET designation (e.g., ETL)

#### Lever Designs for ET Controls

A, B, E, F, J, L, P, W

Also available with Coastal Series & Studio Collection Levers

#### ET Designation with Suffix (Used to order ET without device)

8500 Series: 704, 706-8, 710, 713-8, 715-8, 740, 743-8, 744, 746-8, 773-8 & 774-8

#### Freewheeling Trim

The lever rotates when the door is locked preventing excessive force from being applied to the horizontal lever

#### Electrified ET Trim

Voltage must be specified for the following functions: 73 and 74.  
Specify: 12VDC or 24VDC

SARGENT Function Numbers	ANSI Function Numbers	Description & Cylinder Info. (1-3/4" Door)	ANSI Type 4 8500 Panic
04	03	Night Latch Key Retracts Latch #34 Cylinder Supplied	8504 x ET_
06	09	Key unlocks Trim, Trim retracts latch/ Trim relocks when key is removed #41 Cylinder Supplied	8506 x ET_
10	01	No outside operation (No Cylinder)	8510
10	02	No outside operation (No Cylinder) ET Control is used as Pull Only	8510 x ET_
13	08	Key Outside Unlocks/locks Trim #41 Cylinder Supplied	8513 x ET_
15	14	Passage Only (No cylinder)	8515 x ET_
40	02	Freewheeling Trim - No outside operation (No Cylinder) Dummy Trim	8540 x ET_
43	08	Freewheeling Trim - Key Outside Unlocks/locks Trim #41 Cylinder Supplied	8543 x ET_
44	03	Freewheeling Trim - Key Retracts Latch #34 Cylinder Supplied	8544 x ET_
46	09	Freewheeling Trim - Key unlocks Trim, Trim retracts latch/ Trim relocks when key is removed #41 Cylinder Supplied	8546 x ET_
73		Electrified ET Trim - Fail Safe Power Off, Unlocks Lever (No Cylinder)***	8573 x ET_
74		Electrified ET Trim - Fail Secure Power Off, Locks Lever (No Cylinder)***	8574 x ET_

**Note:** Exit devices are available in all standard finishes, except 14, 15, 26 & 26D. With these finishes, exit devices are supplied in 32 or 32D to match accordingly. 26 or 26D is automatically supplied when 32 or 32D is specified. For nickel finishes, specify 14/32 or 15/32D to receive nickel finished trims and stainless exit devices.

\*\*\* Cylinder override is not available with 8500 Series Devices

#### Options

##### 8500

#### Mechanical Options:

16-  
19-  
31-  
36-  
37-  
43-  
53-  
54-  
55-  
56-  
56-HK-  
57-  
58-  
59-  
BC-59-  
76-  
85-  
86-  
87-  
AL-  
BT-  
CPC-  
GL-  
LD-  
PL-  
SG-  
TL-

#### Cylinder Options:

10-  
10-21-  
10UL-  
10-63-  
11-  
11-21-  
11-60-  
11-63-  
11-64-  
11-70-7P-  
11-72-7P-  
11-73-7P-  
11-65-73-7P-  
21-  
22-  
51-  
52-  
60-  
63-  
64-  
70-  
72-  
73-  
65-73-  
65-73-7P-  
73-7P-  
81-  
82-  
F1-82-  
83-  
F1-83-  
84-  
BR-  
LC-  
SC-  
SE-

#### Trim designations

Pull Trim Section	SARGENT Function Numbers	ANSI Function Numbers	Description & Cylinder Info. (1-3/4" Door)	Series 8500 Panic
 862 Pull	04	03	Night Latch Key Retracts Latch #34 Cylinder Supplied	8504 x 862 Pull only
	10	02	862 Pull Only (Optional Pulls: 863 & 864)	8510 x 862 Pull only



#### Available Finishes

SARGENT Finishes	BHMA Finishes
03	605
04	606
09	611
10	612
10B	613
10BE	613E
10BL	614
14	618
15	619
20D	624
26	625
26D	626
32	629
32D	630



# AD8500 Narrow Design Rim Exit Device for Aluminum Doors

80 Series

**SARGENT®**

**ASSA ABLOY**



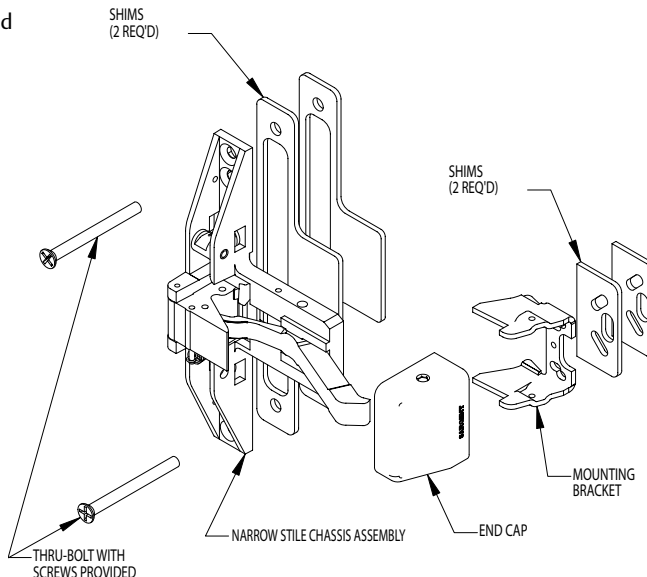
**AD8500 Series  
Narrow Design Rim Exit Device**

## Specifications for AD8500 Series Exit

Door Types	Aluminum 1-3/4" (44mm) minimum thickness. For doors over 1-3/4" to 2-1/4" thick, specify thickness and order as 31- option. 2" (14mm) minimum stile (Less trim)
Rail sizes as determined by door width	Rails are available in 4 sizes, use door width to determine size needed. Rails will be factory cut to size, if door width is supplied <ul style="list-style-type: none"> <li>• E Rail for 24" to 32" door widths</li> <li>• F Rail for 33" to 36" door widths</li> <li>• J Rail for 37" to 42" door widths</li> <li>• G Rail for 43" to 48" door widths</li> </ul>
Strike	657 Strike, Supplied standard for panic devices 656 Strike, Supplied standard for panic devices 649 Strike, Supplied standard for fired rated devices Optional Strikes – 649, 658 Standard with 650A Mullion
Dogging Feature	Hex key dogging standard; specify 16- for cylinder dogging (#41 cylinder supplied)
Electric Options	AL- Alarm BT- Beacon™ PL- SARGuide Photoluminescent Coated TL- SARGuide Illuminated Touchpad 53- LX Latchbolt Monitor 54- Outside Lever Monitoring 55- Request-to-Exit Signal - Rail Monitoring 56- Remote Latch Retraction 57- Delay Egress & Electromagnets 58- Electric Dogging 59- Electroguard – Self Contained Delayed Egress
Mounting Fasteners	Supplied standard with wood and machine screws Available with through-bolts and mortise (sex) nuts
Latch Bolt	Stainless steel, 3/4" (19mm) throw
Device Centerline from Finished Floor	41" (1041 mm) for Standard Applications
Center Case Dimensions	8-5/16" (211mm) x 1-1/16" (27mm)
Projection	Pushbar Neutral – 3" (77mm) Pushbar Depressed – 2-1/8" (54mm)

## 535 Kit for Windstorm Applications (WS-AD8500)

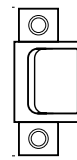
- Two Chassis Shims and Two End Cap Shims
- Shims are 1/8" for a total height of 1/4"
- 649 Strike Pack
- 651 Stabilizer Kit



## AD8500 Features

- Designed for narrow stile applications (e.g., aluminum frame full glass doors)
- Single and double doors with mullion
- Single point rim latching device
- Quiet operation and solid security
- Devices are ANSI A156.3
- Available Windstorm-rated; order WS-

## 657 Standard Strike for 8500



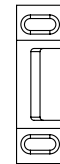
- Surface applied or mortised
- For use on frames with blade stop or integral stop
- Black nylon coated

## 651 Mullion Stabilizer Kit



- Stabilizer block
- Furnished standard w/650A Mullion
- Order as a 651 Kit

## 656 Mullion Strike



- Surface applied
- Use with 980 mullions
- Black nylon coated

## 604 Wear Plate Kit



- Surface applied
- Accommodates all sizes of door frame face

## AD8500 Narrow Design Rim Exit Device

### 80 Series

<b>How to order:</b>	<b>Options</b> F1-83-56	<b>Series</b> AD85	<b>Function</b> 13	<b>Rail Lgth</b> F	<b>Trim</b> ETL	<b>Hand</b> RHR	<b>Outside Finish</b> 15	<b>Inside Finish</b> 32D	<b>Door Width</b> 36"
----------------------	----------------------------	-----------------------	-----------------------	-----------------------	--------------------	--------------------	-----------------------------	-----------------------------	--------------------------

#### 700 Series ET Trim



Exits with ET Trim, specify lever design after the ET designation (e.g., ETL)

#### Lever Designs for ET Controls

A, B, E, F, J, L, P, W

Also available with Coastal Series & Studio Collection Levers

#### ET Designation with Suffix (Used to order ET without device)

AD8500 Series: 704, 706-8, 710, 713-8, 715-8, 740, 743-8, 744, 746-8, 773-8 & 774-8

#### Freewheeling Trim

The lever rotates when the door is locked preventing excessive force from being applied to the horizontal lever

#### Electrified ET Trim

Voltage must be specified for the following functions: 73 and 74.  
Specify: 12VDC or 24VDC

SARGENT Function Numbers	ANSI Function Numbers	Description & Cylinder Info. (1-3/4" Door)	ANSI Type 4 AD8500 Panic
04	03	Night Latch Key Retracts Latch #34 Cylinder Supplied	AD8504 x ET_
06	09	Key unlocks Trim, Trim retracts latch/ Trim relocks when key is removed #41 Cylinder Supplied	AD8506 x ET_
10	01	No outside operation (No Cylinder)	AD8510
10	02	No outside operation (No Cylinder) ET Control is used as Pull Only	AD8510 x ET_
13	08	Key Outside Unlocks/locks Trim #41 Cylinder Supplied	AD8513 x ET_
15	14	Passage Only (No cylinder)	AD8515 x ET_
40	02	Freewheeling Trim - No outside operation (No Cylinder) Dummy Trim	AD8540 x ET_
43	08	Freewheeling Trim - Key Outside Unlocks/locks Trim #41 Cylinder Supplied	AD8543 x ET_
44	03	Freewheeling Trim - Key Retracts Latch #34 Cylinder Supplied	AD8544 x ET_
46	09	Freewheeling Trim - Key unlocks Trim, Trim retracts latch/ Trim relocks when key is removed #41 Cylinder Supplied	AD8546 x ET_
73		Electrified ET Trim - Fail Safe Power Off, Unlocks Lever (No Cylinder)***	AD8573 x ET_
74		Electrified ET Trim - Fail Secure Power Off, Locks Lever (No Cylinder)***	AD8574 x ET_

**Note:** Exit devices are available in all standard finishes, except 14, 15, 26 & 26D. With these finishes, exit devices are supplied in 32 or 32D to match accordingly. 26 or 26D is automatically supplied when 32 or 32D is specified. For nickel finishes, specify 14/32 or 15/32D to receive nickel finished trims and stainless exit devices.

\*\*\* Cylinder override is not available with AD8500 Series Devices

#### Options

##### AD8500

##### Mechanical Options:

16-  
19-  
31-  
36-  
37-  
43-  
53-  
54-  
55-  
56-  
56-HK-  
57-  
58-  
59-  
BC-59-  
76-  
85-  
86-  
87-  
AL-  
BT-  
CPC-  
GL-  
LD-  
PL-  
SG-  
TL-  
WS-

##### Cylinder Options:

10-  
10-21-  
10UL-  
10-63-  
11-  
11-21-  
11-60-  
11-63-  
11-64-  
11-70-7P-  
11-72-7P-  
11-73-7P-  
11-65-73-7P-  
21-  
22-  
51-  
52-  
60-  
63-  
64-  
70-  
72-  
73-  
65-73-  
65-73-7P-  
73-7P-  
81-  
82-  
F1-82-  
83-  
F1-83-  
84-  
BR-  
LC-  
SC-  
SE-

#### Trim designations

Pull Trim Section	SARGENT Function Numbers	ANSI Function Numbers	Description & Cylinder Info. (1-3/4" Door)	Series
 862 Pull	04	03	Night Latch Key Retracts Latch #34 Cylinder Supplied	 AD8500 Panic
	10	02	862 Pull Only (Optional Pulls: 863 & 864)	

#### Available Finishes

SARGENT Finishes	BHMA Finishes
03	605
04	606
09	611
10	612
10B	613
10BE	613E
10BL	614
14	618
15	619
20D	624
26	625
26D	626
32	629
32D	630

# 8300 Narrow Design Mortise Lock Exit Device

80 Series

**SARGENT®**

**ASSA ABLOY**



**8300 Series  
Narrow Design Mortise Lock Exit Device**

### 8300 Features

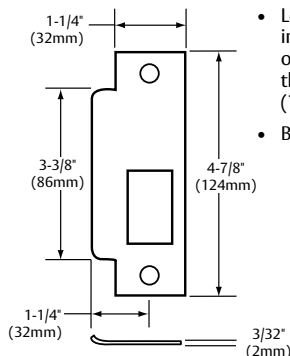
- Designed for standard width stiles with a narrow design look
- Through-bolted trim for quiet operation and security
- Single door applications
- Double door applications with Mortise Lock x Vertical Rod Device
- UL Fire and Panic listed

### Specifications for 8300 Mortise Lock Exit

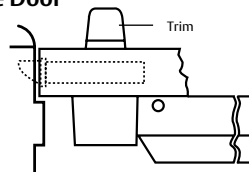
Door Types	Wood or metal 1 3/4" (44mm) minimum thickness. For doors over 1-3/4" to 2-1/4" thick, specify thickness and order as 31-Option 4-1/2" (114mm) minimum stile
Rail sizes as determined by door width	Rails are available in 4 sizes, use door width to determine size needed. Rails will be factory cut to size, if door width is supplied <ul style="list-style-type: none"> <li>• E Rail for 24" to 32" door widths, No cutting required for 32" door</li> <li>• F Rail for 33" to 36" door widths, No cutting required for 36" door</li> <li>• J Rail for 37" to 42" door widths, No cutting required for 42" door</li> <li>• G Rail for 43" to 48" door widths, No cutting required for 48" door</li> </ul>
Strike	C908 Standard Black Nylon Coated – ANSI Prep A115.1 Optional Strikes – 815 Open Back Strike or 908 Flat Lipped Strike with Black Nylon
Dogging Feature	Hex key dogging standard on non fired rated devices; specify 16- for cylinder dogging (#41 cylinder supplied)
Electric Options	AL- Alarm BT- Beacon™ PL- SARGuide Photoluminescent Coated TL- SARGuide Illuminated Touchpad 53- LX Latchbolt Monitor 54- Outside Lever Monitoring 55- Request-to-Exit Signal - Rail Monitoring 56- Remote Latch Retraction 57- Delay Egress & Electromagnets 58- Electric Dogging 59- Electroguard – Self Contained Delayed Egress
Mounting Fasteners	Supplied standard with wood and machine screws Available with through-bolts and mortise(sex) nuts
Latch Bolt	Brass Nickel Plated, 3/4" (19mm) throw, anti-friction
Guarded/Deadlatch	Brass, sliding type
Device Centerline from Finished Floor	41" (1041 mm) for Standard Applications
Center Case Dimensions	8-5/16" (211mm) x 1-1/16" (27mm)
Projection	Pushbar Neutral – 3" (76mm) Pushbar Depressed – 2-1/8" (54mm)
Fire Exit Hardware	See Chart – Page 3

### C908 Standard Strike

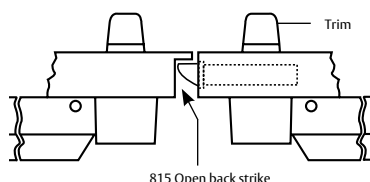
- Curved lip ANSI A-115.1
- Handed. 1-1/4" (32mm) lip standard
- Longer lips in increments of 1/4" (6mm) through 2-7/8" (73mm) available
- Black nylon coated



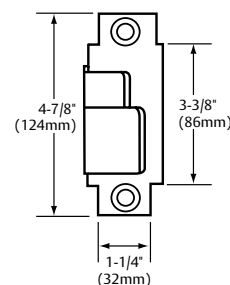
### Single Door



### Pair of Doors



### 815 Open Back Strike



- ANSI A-115.14 Open Back
- Beveled 1/8" (3mm) in 2" (51mm)
- Specify hand of active door
- Black nylon coat
- "B" label

# 8300 Narrow Design Mortise Lock Exit Device

80 Series

**SARGENT®**

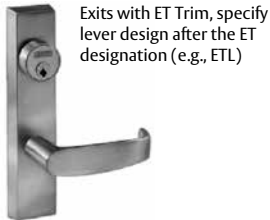
**ASSA ABLOY**

**How to order:** Options 11- Series 83 Function 13 Rail Lgth F Trim ETL Hand RHR Outside Finish 26D Inside Finish 32D Door Width 36"

**Options**

**8300**

### 700 Series ET Trim



Exits with ET Trim, specify lever design after the ET designation (e.g., ETL)

### Lever Designs for ET Controls

A, B, E, F, J, L, P, W  
Also available with Coastal Series & Studio Collection Levers

### ET Designation with Suffix (Used to order ET without device)

8300 Series: 704, 710, 713, 715, 740, 743, 744, 773, 774, 775 & 776

### Freewheeling Trim

The lever rotates when the door is locked preventing excessive force from being applied to the horizontal lever

### Electrified ET Trim and Electrified Mortise Locks

Voltage must be specified for the following functions: 73, 74, 75 and 76. Specify: 12VDC or 24VDC

SARGENT Function Numbers	ANSI Function Numbers	Description & Cylinder Info (1-3/4" Door)	ANSI Type 10 8300 Panic & Fire
04	03	Night Latch Key Retracts Latch #46 Cylinder Supplied	8304 x ET_
10	01	No outside operation (No Cylinder)	8310
10	02	No outside operation (No Cylinder) ET Control is used as Pull Only	8310 x ET_
13	08	Key Outside Unlocks/locks Trim #41 Cylinder Supplied	8313 x ET_
15	14	Passage Only (No cylinder)	8315 x ET_
40	02	Freewheeling Trim - No outside operation (No Cylinder) Dummy Trim	8340 x ET_
43	08	Freewheeling Trim - Key Outside Unlocks/locks Trim #41 Cylinder Supplied	8343 x ET_
44	03	Freewheeling Trim - Key Retracts Latch For 1-3/4" Door #46 Cylinder Supplied	8344 x ET_
75++		Electrified ET Trim - Fail Safe Power Off, Unlocks Lever, Key Retracts Latch For 1-3/4" Door #46 Cylinder Supplied	8375 x ET_
76**		Electrified ET Trim - Fail Secure Power Off, Locks Lever, Key Retracts Latch For 1-3/4" Door #46 Cylinder Supplied	8376 x ET_

**Note:** Exit devices are available in all standard finishes, except 14, 15, 26 & 26D. With these finishes, exit devices are supplied in 32 or 32D to match accordingly. 26 or 26D is automatically supplied when 32 or 32D is specified. For nickel finishes, specify 14/32 or 15/32D to receive nickel finished trims and stainless exit devices.

++ 75 Function without cylinder is available as a 73 Function  
\*\* 76 Function without cylinder is available as a 74 Function

**Mechanical Options:**

- 12-
- 16-
- 19-
- 23-
- \*31
- 36-
- 37-
- 43-
- 53-
- 54-
- 55-
- 56-
- 56-HK-
- 57-
- 58-
- 59-
- BC-59-
- 76-
- 85-
- 86-
- 87-
- AL-
- BT-
- LD-
- SC-
- TL-

**Cylinder Options:**

- 10-
- 10-21-
- 10UL-
- 10-63-
- 11-
- 11-21-
- 11-60-
- 11-63-
- 11-64-
- 11-70-7P-
- 11-72-7P-
- 11-73-7P-
- 11-65-73-7P-
- 21-
- 22-
- 51-
- 52-
- 60-
- 63-
- 64-
- 70-
- 72-
- 73-
- 65-73-
- 65-73-7P-
- 73-7P-
- 81-
- 82-
- F1-82-
- 83-
- F1-83-
- 84-
- BR-
- LC-
- \*SC-
- \*SE-

### Pull & Thumb Piece Trim Section

### Trim designations

- Use three letter designations (Ex "PTB") when ordering the Exit Device with trim
- Use the six digit designation (Ex "866-MAL") when ordering trim without an Exit Device, always specify finish & hand

### Series

SARGENT Function Numbers	ANSI Function Numbers	Description & Cylinder Info. (1-3/4" Door)	814-FLL	814-FLW	814-MAL	814-PTB	814-ST5	8300 Panic & Fire
04	03	Night Latch-Key Retracts Latch #41 Cylinder Supplied	814-FLL	814-FLW	814-MAL	814-PTB	814-ST5	8304 x Trim Designation
10	02	No O/S Operation or Cylinder (Pull Only)	810-FLL	810-FLW	810-MAL	810-PTB	810-ST5	8310 x Trim Designation
28	15	Passage Only (No cylinder)	828-FLL	828-FLW	828-MAL	828-PTB	828-ST5	8328 x Trim Designation
63	05	Key Outside Unlocks/locks Trim #41 Cylinder Supplied	866-FLL	866-FLW	866-MAL	866-PTB	866-ST5	8363 x Trim Designation



8300 Panic & Fire

\* Options are not available with the following functions: 04, 44, 75 & 76

\*\* For SC- & SE- options contact factory for availability

### Available Finishes

SARGENT Finishes	BHMA Finishes
03	605
04	606
09	611
10	612
10B	613
10BE	613E
10BL	614
14	618
15	619
20D	624
26	625
26D	626
32	629
32D	630

**Note:** Thumb Piece Trims used with Mortise Lock Exit Devices are handed.

**Note:** Thumb piece trims for 63 function devices are identified as 66 function when trim is ordered separately.

**Note:** FLW trim is not available in 32(629) or 32D(630)

Copyright © 1998-2014, Sargent Manufacturing Company, an ASSA ABLOY Group company. All rights reserved. Reproduction in whole or in part without the express written permission of Sargent Manufacturing Company is prohibited.

90641-P6/1/14

# MD8400 & NB-MD8400 Narrow Stile Concealed Vertical Rod Exit Device for Metal Doors

80 Series

**SARGENT®**  
**ASSA ABLOY**

## MD8400 Series Concealed Vertical Rod Exit Device for Metal Doors

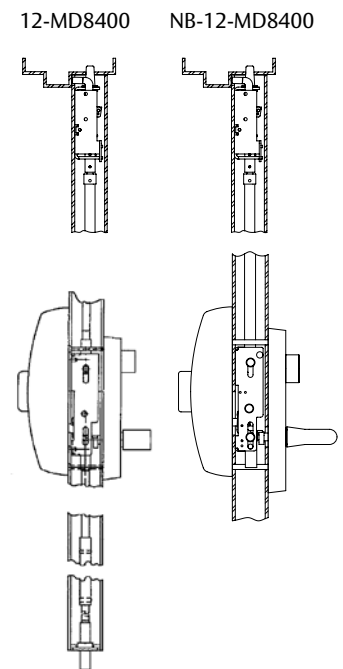


### MD8400 & NB-MD8400 Features

- Designed for narrow stile applications (e.g., full glass doors)
- Concealed rods for security and aesthetics
- UL Fire and Panic listed
- Specify NB- for less bottom rod
- NB- Devices allows free access for wheelchairs and carts. No bottom strike eliminates tripping potential
- All functions determined by outside trim
- Devices are ANSI A156.3

### Specifications for MD8400 & NB-MD8400 Exit

Door Types	Hollow metal, 1-3/4" (44 mm) minimum thickness. For doors over 1-3/4" to 2-1/4" thick, specify thickness and order as 31- option 1-3/4" (44mm) minimum stile width required. Stile must be hollow with inside dimension of at least 1-3/8" (35mm) square
Rail sizes as determined by door width	Rails are available in 4 sizes, use door width to determine size needed. Rails will be factory cut to size, if door width is supplied <ul style="list-style-type: none"> <li>• E Rail for 24" to 32" door widths</li> <li>• F Rail for 33" to 36" door widths</li> <li>• J Rail for 37" to 42" door widths</li> <li>• G Rail for 43" to 48" door widths</li> </ul>
Strike	650 Top Strike & 606 Bottom Strike (Panic and Fire Rated)
Dogging Feature	Hex key dogging standard on non fired rated devices; specify 16- for cylinder dogging (#41 cylinder supplied)
Electric Options	AL- Alarm BT- Beacon™ PL- SARGuide Photoluminescent Coated TL- SARGuide Illuminated Touchpad 53- LX Latchbolt Monitor 54- Outside Lever Monitoring 55- Request-to-Exit Signal - Rail Monitoring 56- Remote Latch Retraction 57- Delay Egress & Electromagnets 58- Electric Dogging 59- Electroguard – Self Contained Delayed Egress (NB- Excluded)
Mounting Fasteners	Supplied standard with machine screws
Top Bolt	Stainless steel
Device Centerline from Finished Floor	41" (1041mm) for Standard Applications 38" (965mm) for elementary schools and to meet local accessibility standards when a 100 Series Auxiliary Control is used
Door/Opening Height	<b>Must be specified</b> - 120" (3048mm) Max Door Opening
Center Case Dimensions	8-3/8" (213mm) x 2-5/8" (67mm)
Projection	Pushbar Neutral – 3" (76 mm) Pushbar Depressed – 2-1/8" (54mm)
Fire Exit Hardware	See Chart – Page 3



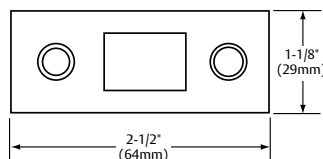
**Note:** MD8400 & 12-MD8400 can be used as NB- device by simply not installing the bottom rod/bolt.  
**Note:** 12-NB applications require thermal pin. Thermal pin supplied when ordered as a 12-NB device.

### 100 Series Aux Control

- Available as an 06 or 13 function
- Supplied with a SARGENT #41 Mortise Cylinder
- Can be used with any SARGENT Mortise Key System

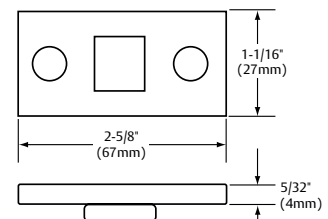


### 650 & 652 Strike Packs



- Stainless steel
- 650 & 652 Strike Packs contain the same strike
- 650 Strike Pack contains 1 strike for Top Bolt
- 652 Strike Pack contains 2 strikes for Top & Bottom

### 606 Bottom Strike (12-)



- Furnished with expansion shields
- Mortised into floor
- Stainless steel
- Bottom strike for 12-MD8400

# MD8400 & NB-MD8400

## Functions & Trims for Metal Doors

### 80 Series



**How to order:** Options Series Function Rail Lgth Trim Hand Outside Finish Inside Finish Door Width Door Height AFF  
 55- NB-MD84 13 F ETL RHR 26D 32D 36" 84" 41"

#### 700 Series ET Trim



Exits with ET Trim, specify lever design after the ET designation (e.g., ETL)

#### Lever Designs for ET Controls

A, B, E, F, J, L, P, W  
 Also available with Coastal Series & Studio Collection Levers

#### ET Designation with Suffix (Used to order ET without device)

MD8400 & NB-MD8400 Series: 706-4, 710-4, 713-4, 715-4, 740-4, 743-4, 746-4, 773-4, & 774-4

#### Freewheeling Trim

The lever rotates when the door is locked preventing excessive force from being applied to the horizontal lever

#### Electrified ET Trim

Voltage must be specified for the following functions: 73 and 74. Specify: 12VDC or 24VDC

SARGENT Function Numbers	ANSI Function Numbers	Description & Cylinder Info (1-3/4" Door)	ANSI Type 6 8400 Panic & Fire
06	09	Key unlocks Trim, Trim retracts latch/ Trim relocks when key is removed #41 Cylinder Supplied	MD8406 x ET_
10	01	No outside operation (No Cylinder)**	MD8410
10	02	No outside operation (No Cylinder)** ET Control is used as Pull Only	MD8410 x ET_
13	08	Key Outside Unlocks/locks Trim #41 Cylinder Supplied	MD8413 x ET_
15	14	Passage Only (No cylinder)	MD8415 x ET_
40	02	Freewheeling Trim - No outside operation (No Cylinder)** Dummy Trim	MD8440 x ET_
43	08	Freewheeling Trim - Key Outside Unlocks/locks Trim #41 Cylinder Supplied	MD8443 x ET_
46	09	Freewheeling Trim - Key unlocks Trim, Trim retracts latch/ Trim relocks when key is removed #41 Cylinder Supplied	MD8446 x ET_
73		Electrified ET Trim - Fail Safe Power Off, Unlocks Lever (No Cylinder)** Specify: 12VDC or 24VDC	MD8473 x ET_
74		Electrified ET Trim - Fail Secure Power Off, Locks Lever (No Cylinder)** Specify: 12VDC or 24VDC	MD8474 x ET_

**Note:** Exit devices are available in all standard finishes, except 14, 15, 26 & 26D. With these finishes, exit devices are supplied in 32 or 32D to match accordingly. 26 or 26D is automatically supplied when 32 or 32D is specified. For nickel finishes, specify 14/32 or 15/32D to receive nickel finished trims and stainless exit devices.

**Note:** AFF means Above Finished Floor, center line of rail Above Finished Floor

\*\* Cylinder Override is available with a 106 Aux Control

Example Order: MD8473F 12V x ETMG x 106 x RHR x 32D x 36" w x 84" h

#### 100 Series Auxiliary Control++ & 862 Pull



SARGENT Function Numbers	ANSI Function Numbers	Description & Cylinder Info	MD8400 Panic & Fire
06	12	Key unlocks Turn, Turn retracts latch/ Turn relocks when key is removed #41 Cylinder Supplied	MD8410 x 106
10	02	862 Pull Only (Optional Pulls: 863 & 864)	MD8410 x 862 Pull
13	11	Key Outside Unlocks/locks Turn #41 Cylinder Supplied	MD8410 x 113

**Note:** When ordering MD8400 Series Exit Device x 100 Series Aux. Control, specify 10 Function for the exit.

Example: MD8410F x 106 x RHR x 32D x 42" x 90"

++ **Note:** Exit Devices must be mounted 38" AFF when used with a 100 Series Auxiliary Controls to meet ICC/ANSI A117.1-2003 Accessible & Usable Buildings and Facilities Code

#### Options

##### MD8400

#### Mechanical Options:

12-  
16-  
19-  
31-  
36-  
37-  
43-  
53-  
54-  
55-  
56-  
56-HK-  
57-  
58-  
59-  
BC-59-  
76-  
85-  
86-  
87-  
AL-  
BT-  
CPC-  
LD-  
NB-  
PL-  
SG-  
TL-

#### Cylinder Options:

10-  
10-21-  
10UL-  
10-63-  
11-  
11-21-  
11-60-  
11-63-  
11-64-  
11-70-7P-  
11-72-7P-  
11-73-7P-  
11-65-73-7P-  
21-  
22-  
51-  
52-  
60-  
63-  
64-  
70-  
72-  
73-  
65-73-  
65-73-7P-  
73-7P-  
81-  
82-  
F1-82-  
83-  
F1-83-  
84-  
BR-  
LC-  
SC-  
SE-

#### Available Finishes

SARGENT Finishes	BHMA Finishes
03	605
04	606
09	611
10	612
10B	613
10BE	613E
10BL	614
14	618
15	619
20D	624
26	625
26D	626
32	629
32D	630

# AD8400 & NB-AD8400 Narrow Stile Concealed Vertical Rod Exit Device for Aluminum Doors

80 Series

**SARGENT®**  
**ASSA ABLOY**

## AD8400 Series

### Concealed Vertical Rod Exit Device for Aluminum Doors

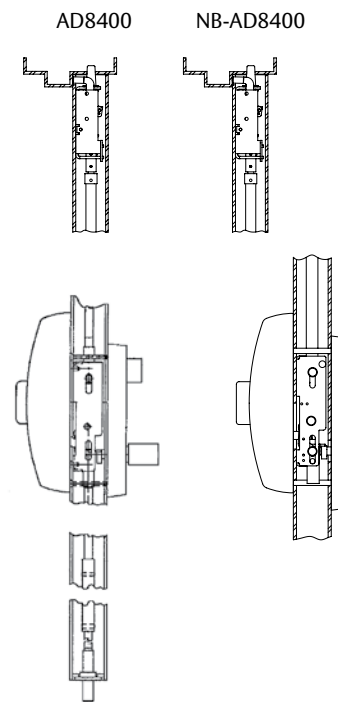


### AD8400 & NB-AD8400 Features

- Designed for narrow stile aluminum door applications (e.g., full glass doors)
- Concealed rods for security and aesthetics
- UL Panic listed only
- Specify NB- for less bottom rod
- NB- device allows free access for wheelchairs and carts. No bottom strike eliminates tripping potential
- All functions determined by outside trim
- Devices are ANSI A156.3

### Specifications for AD8400 & NB-AD8400 Exit

Door Types	Hollow or extruded aluminum doors. For doors over 1-3/4" to 2-1/4" thick, specify thickness and order as 31- option 1-3/4" (44mm) minimum stile width required. Stile must be hollow with inside dimension of at least 1-3/8" (35mm) square
Rail sizes as determined by door width	Rails are available in 4 sizes, use door width to determine size needed. Rails will be factory cut to size, if door width is supplied <ul style="list-style-type: none"> <li>• E Rail for 24" to 32" door widths</li> <li>• F Rail for 33" to 36" door widths</li> <li>• J Rail for 37" to 42" door widths</li> <li>• G Rail for 43" to 48" door widths</li> </ul>
Strike	640 Strike for Top & Bottom
Dogging Feature	Hex key dogging standard on non fired rated devices; specify 16- for cylinder dogging (#41 cylinder supplied)
Electric Options	AL- Alarm BT- Beacon™ PL- SARGuide Photoluminescent Coated TL- SARGuide Illuminated Touchpad 53- LX Latchbolt Monitor 54- Outside Lever Monitoring 55- Request-to-Exit Signal - Rail Monitoring 56- Remote Latch Retraction 57- Delay Egress & Electromagnets 58- Electric Dogging 59- Electroguard – Self Contained Delayed Egress (NB- Excluded)
Mounting Fasteners	Supplied standard with machine screws
Top Bolt	Stainless steel
Device Centerline from Finished Floor	41" (1041mm) for Standard Applications 38" (965mm) for elementary schools and to meet local accessibility standards when a 100 Series Auxiliary Control is used
Door/Opening Height	<b>Must be specified</b> - 120" (3048mm) Max Door Opening
Center Case Dimensions	8-3/8" (213mm) x 2-5/8" (67mm)
Projection	Pushbar Neutral – 3" (76mm) Pushbar Depressed – 2-1/8" (54mm)
Fire Exit Hardware	Not Available



**Note:** AD8400 can be used as NB- Device by simply not installing the bottom rod/bolt.

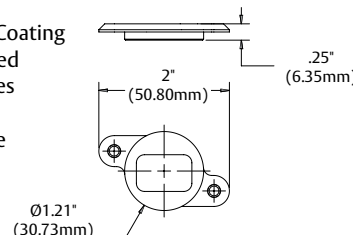
### 100 Series Aux Control

- Available as an 06 or 13 function
- Supplied with a SARGENT #41 Mortise Cylinder
- Can be used with any SARGENT Mortise Key System



### 639/640 Strike Kits

- Steel with Black Nylon Coating
- Machine Screws Supplied
- 640 Kit contains 2 strikes (Top & Bottom)
- 639 Kit contains 1 strike (Top Only)



# AD8400 & NB-AD8400

## Functions & Trims for Aluminum Doors

### 80 Series

# SARGENT®

# ASSA ABLOY

**How to order:** Options 55- Series AD84 Function 13 Rail Lgth F Trim ETL Hand RHR Outside Finish 26D Inside Finish 32D Door Width 36" Door Height 84" AFF 41"

#### 700 Series ET Trim



Exits with ET Trim, specify lever design after the ET designation (e.g., ETL)

#### Lever Designs for ET Controls

A, B, E, F, J, L, P, W  
Also available with Coastal Series & Studio Collection Levers

#### ET Designation with Suffix (Used to order ET without device)

8400 & NB-8400 Series: 706-4, 710-4, 713-4, 715-4, 740-4, 743-4, 746-4, 773-4, & 774-4

#### Freewheeling Trim

The lever rotates when the door is locked preventing excessive force from being applied to the horizontal lever

#### Electrified ET Trim

Voltage must be specified for the following functions: 73 and 74.  
Specify: 12VDC or 24VDC

SARGENT Function Numbers	ANSI Function Numbers	Description & Cylinder Info (1-3/4" Door)	ANSI Type 6 AD8400 Panic
06	09	Key unlocks Trim, Trim retracts latch/Trim relocks when key is removed #41 Cylinder Supplied	AD8406 x ET_
10	01	No outside operation (No Cylinder)**	AD8410
10	02	No outside operation (No Cylinder)** ET Control is used as Pull Only	AD8410 x ET_
13	08	Key Outside Unlocks/locks Trim #41 Cylinder Supplied	AD8413 x ET_
15	14	Passage Only (No cylinder)	AD8415 x ET_
40	02	Freewheeling Trim - No outside operation (No Cylinder)** Dummy Trim	AD8440 x ET_
43	08	Freewheeling Trim - Key Outside Unlocks/locks Trim #41 Cylinder Supplied	AD8443 x ET_
46	09	Freewheeling Trim - Key unlocks Trim, Trim retracts latch/Trim relocks when key is removed #41 Cylinder Supplied	AD8446 x ET_
73		Electrified ET Trim - Fail Safe Power Off, Unlocks Lever (No Cylinder)** Specify: 12VDC or 24VDC	AD8473 x ET_
74		Electrified ET Trim - Fail Secure Power Off, Locks Lever (No Cylinder)** Specify: 12VDC or 24VDC	AD8474 x ET_

**Note:** Exit devices are available in all standard finishes, except 14, 15, 26 & 26D. With these finishes, exit devices are supplied in 32 or 32D to match accordingly. 26 or 26D is automatically supplied when 32 or 32D is specified. For nickel finishes, specify 14/32 or 15/32D to receive nickel finished trims and stainless exit devices.

**Note:** AFF means Above Finished Floor, center line of rail Above Finished Floor

\*\* Cylinder Override is available with a 106 Aux Control

Example Order: AD8473F 12V x ETMG x 106 x RHR x 32D x 36" w x 84" h

#### 100 Series Auxiliary Control++ & 862 Pull



100 Series Aux. Control

862 Pull

SARGENT Function Numbers	ANSI Function Numbers	Description & Cylinder Info	AD8400 Panic
06	12	Key unlocks Turn, Turn retracts latch/ Turn relocks when key is removed #41 Cylinder Supplied	AD8410 x 106
10	02	862 Pull Only (Optional Pulls: 863 & 864)	AD8410 x 862 Pull
13	11	Key Outside Unlocks/locks Turn #41 Cylinder Supplied	AD8410 x 113

**Note:** When ordering 8400 Series Exit Device x 100 Series Aux. Control, specify 10 Function for the exit.

Example: AD8410F x 106 x RHR x 32D x 42" x 90"

++ **Note:** Exit Devices must be mounted 38" AFF when used with a 100 Series Auxiliary Controls to meet ICC/ANSI A117.1-2003 Accessible & Usable Buildings and Facilities Code

#### Options

##### AD8400

#### Mechanical Options:

16-  
19-  
31-  
36-  
37-  
43-  
53-  
54-  
55-  
56-  
56-HK-  
57-  
58-  
59-  
BC-59-  
76-  
85-  
86-  
87-  
AL-  
BT-  
CPC-  
LD-  
NB-  
PL-  
SG-  
TL-

#### Cylinder Options:

10-  
10-21-  
10UL-  
10-63-  
11-  
11-21-  
11-60-  
11-63-  
11-64-  
11-70-7P-  
11-72-7P-  
11-73-7P-  
11-65-73-7P-  
21-  
22-  
51-  
52-  
60-  
63-  
64-  
70-  
72-  
73-  
65-73-  
65-73-7P-  
73-7P-  
81-  
82-  
F1-82-  
83-  
F1-83-  
84-  
BR-  
LC-  
SC-  
SE-

#### Available Finishes

SARGENT Finishes	BHMA Finishes
03	605
04	606
09	611
10	612
10B	613
10BE	613E
10BL	614
14	618
15	619
20D	624
26	625
26D	626
32	629
32D	630

Copyright © 1998-2014, Sargent Manufacturing Company, an ASSA ABLOY Group company. All rights reserved. Reproduction in whole or in part without the express written permission of Sargent Manufacturing Company is prohibited.

90641P6/1/14



# PP8700 & PR8700 Center & Top Latch Surface Vertical Rods for Pair of Doors

80 Series

**SARGENT®**

**ASSA ABLOY**



**PP8700 & PR8700 Series  
Center & Top Latch**

**PP8700 Shown**

## Features

- The security of a stainless steel center bolt and two top bolts without bottom rod issues
- Latchbolt adjustable to allow for 1/8" (3mm) - 3/8" (9mm) door gap center line of bevel
- Devices are ANSI A156.3
- UL Fire and Panic listed
- Tripping potential removed - no bottom strike
- Both doors are active. Either door can be opened or closed without affecting the other door. Door coordinators and open back strikes are not required
- Top case latchbolt projection adjustable through center case
- All functions determined by outside trim
- Patented design - U.S. Patent No. 6,120,071

## Specifications for PP & PR8700 Series Exit

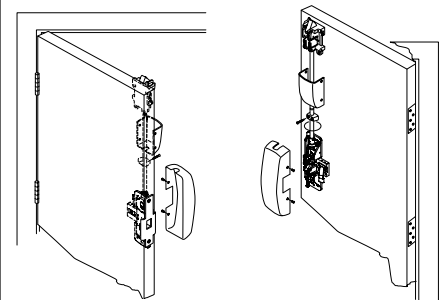
Door Types	Factory prepped wood/metal doors for surface mounted PP & PR8700 devices 1-3/4" (44mm) Doors only with 2-3/4" (70mm) backset 4-1/2" (114mm) minimum stile
Rail sizes as determined by door width	Rails are available in 4 sizes, use door width to determine size needed. Rails will be factory cut to size, if door width is supplied <ul style="list-style-type: none"> <li>• E Rail for 24" to 32" door widths, No cutting required for 32" door</li> <li>• F Rail for 33" to 36" door widths, No cutting required for 36" door</li> <li>• J Rail for 37" to 42" door widths, No cutting required for 42" door</li> <li>• G Rail for 43" to 48" door widths, No cutting required for 48" door</li> </ul>
Strike	646 Top Strike (Panic and Fire Rated)
Dogging Feature	Hex key dogging standard on non fired rated devices; specify 16- for cylinder dogging (#41 cylinder supplied)
Electric Options	AL- Alarm BT- Beacon™ PL- SARGuide Photoluminescent Coated TL- SARGuide Illuminated Touchpad 53- LX Latchbolt Monitor 54- Outside Lever Monitoring 55- Request-to-Exit Signal - Rail Monitoring 56- Remote Latch Retraction 57- Delay Egress & Electromagnets 58- Electric Dogging 59- Electroguard – Self Contained Delayed Egress
Mounting Fasteners	Supplied standard with wood and machine screws Available with through-bolts and mortise (sex) nuts
Top & Center Bolts	Stainless steel
Device Centerline from Finished Floor	41" (1041mm) for Standard Applications
Door/Opening Height	<b>Must be specified</b> - 120" (3048mm) Max Door Opening
Center Case Dimensions	8-3/8" (213mm) x 2-5/8" (67mm)
Projection	Pushbar Neutral – 3" (76 mm) Pushbar Depressed – 2-1/8" (54mm)
Fire Exit Hardware*	See Chart – Page 3

\* For fire-rated, double wood door applications, one 683 thermal pin kit is required per door (Purchased Separately)  
**How it works:** The mortise lock of the PP device has a stainless steel bolt which projects into the mortise lock of the PR device at the center of the door in addition to top bolts on each door.

## Pair of Doors Application



## Double Egress Application



Copyright © 1998-2014, Sargent Manufacturing Company, an ASSA ABLOY Group company. All rights reserved. Reproduction in whole or in part without the express written permission of Sargent Manufacturing Company is prohibited.

## PP8700 & PR8700 Functions & Trims

### 80 Series

**How to order:** Options Series Function Rail Lgth Trim Hand Outside Finish Inside Finish Door Width Door Height AFF  
 F1-83- PP87 13 F ETL RHR 15 32D 36" 84" 41"

#### 700 Series ET Trim



Exits with ET Trim, specify lever design after the ET designation (e.g., ETL)

SARGENT Function Numbers	ANSI Function Numbers	Description & Cylinder Info (1-3/4" Door)	ANSI Type 11	
			PP8700 Panic & Fire	PR8700 Panic & Fire
06	09	Key unlocks Trim, Trim retracts latch/ Trim relocks when key is removed #41 Cylinder Supplied	PP8706 x ET_	PR8706 x ET_
10	01	No outside operation (No Cylinder)	PP8710	PR8710
10	02	No outside operation (No Cylinder) ET Control is used as Pull Only	PP8710 x ET_	PR8710 x ET_
13	08	Key Outside Unlocks/locks Trim #41 Cylinder Supplied	PP8713 x ET_	PR8713 x ET_
15	14	Passage Only (No cylinder)	PP8715 x ET_	PR8715 x ET_
40	02	Freewheeling Trim - No outside operation (No Cylinder) Dummy Trim	PP8740 x ET_	PR8740 x ET_
43	08	Freewheeling Trim - Key Outside Unlocks/locks Trim #41 Cylinder Supplied	PP8743 x ET_	PR8743 x ET_
46	09	Freewheeling Trim - Key unlocks Trim, Trim retracts latch/ Trim relocks when key is removed #41 Cylinder Supplied	PP8746 x ET_	PR8746 x ET_
73		Electrified ET Trim - Fail Safe Power Off, Unlocks Lever (No Cylinder)***	PP8773 x ET_	PR8773 x ET_
74		Electrified ET Trim - Fail Secure Power Off, Locks Lever (No Cylinder)***	PP8774 x ET_	PR8774 x ET_

**Note:** Exit devices are available in all standard finishes, except 14, 15, 26 & 26D. With these finishes, exit devices are supplied in 32 or 32D to match accordingly. 26 or 26D is automatically supplied when 32 or 32D is specified. For nickel finishes, specify 14/32 or 15/32D to receive nickel finished trims and stainless exit devices.

**Note:** AFF means Above Finished Floor, center line of rail Above Finished Floor

\*\*\* Cylinder override is not available with PP & PR 8700 Series Devices

#### Lever Designs for ET Controls

A, B, E, F, J, L, P, W  
 Also available with Coastal Series & Studio Collection Levers

#### ET Designation with Suffix (Used to order ET without device)

PP8700 & PR8700 Series: 706-8, 710, 713-8, 715-8, 740, 743-8, 746-8, 773-8 & 774-8

#### Freewheeling Trim

The lever rotates when the door is locked preventing excessive force from being applied to the horizontal lever

#### Electrified ET Trim

Voltage must be specified for the following functions: 73 and 74. Specify: 12VDC or 24VDC

**Note:** PP & PR Exit devices should be ordered in pairs, for correct operation, one device engages the other. For single door applications, order SP Device

#### Options

##### PP & PR8700

##### Mechanical Options:

12-  
16-  
19-  
36-  
37-  
43-  
53-  
54-  
55-  
56-  
56-HK-  
57-  
58-  
59-  
BC-59-  
76-  
85-  
86-  
87-  
AL-  
BT-  
CPC-  
LD-  
PL-  
SG-  
TL-

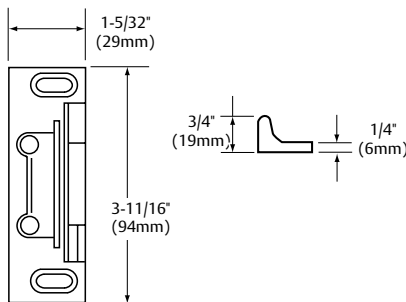
##### Cylinder Options:

10-  
10-21-  
10UL-  
10-63-  
11-  
11-21-  
11-60-  
11-63-  
11-64-  
11-70-7P-  
11-72-7P-  
11-73-7P-  
11-65-73-7P-  
21-  
22-  
51-  
52-  
60-  
63-  
64-  
70-  
72-  
73-  
65-73-  
65-73-7P-  
73-7P-  
81-  
82-  
F1-82-  
83-  
F1-83-  
84-  
BR-  
LC-  
SC-  
SE-

#### Available Finishes

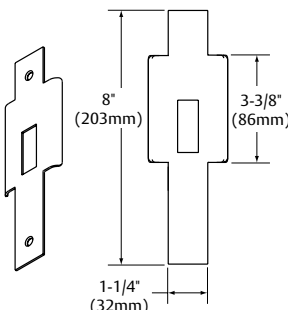
SARGENT Finishes	BHMA Finishes
03	605
04	606
09	611
10	612
10B	613
10BE	613E
10BL	614
14	618
15	619
20D	624
26	625
26D	626
32	629
32D	630

#### 646 Top Strike



- Standard for PP8700 and PR8700
- Surface applied to frame
- Black nylon coated

#### 68-1183 Double Lipped PR Mortise Front



- Standard for PR8700
- Stainless steel only

# SP8700 Center & Top Latch Surface Vertical Rod for Single Door Applications

80 Series

**SARGENT®**

**ASSA ABLOY**



**SP8700 Series  
Center & Top Latch**

## Features

- The security of a stainless steel center bolt and top bolt without bottom rod issues
- Latchbolt adjustable to allow for 1/8" (3mm) - 3/8" (9mm) door gap
- Devices are ANSI A156.3
- UL Fire and Panic listed
- Tripping potential removed - no bottom strike
- Top case latchbolt projection adjustable through center case
- All functions determined by outside trim

## Specifications for SP8700 Series Exit

Door Types	Factory prepped wood/metal doors for surface mounted SP8700 devices 1-3/4" (44mm) Doors only with 2-3/4" (70mm) backset 4-1/2" (114mm) minimum stile
Rail sizes as determined by door width	Rails are available in 4 sizes, use door width to determine size needed. Rails will be factory cut to size, if door width is supplied <ul style="list-style-type: none"> <li>• E Rail for 24" to 32" door widths, No cutting required for 32" door</li> <li>• F Rail for 33" to 36" door widths, No cutting required for 36" door</li> <li>• J Rail for 37" to 42" door widths, No cutting required for 42" door</li> <li>• G Rail for 43" to 48" door widths, No cutting required for 48" door</li> </ul>
Strike	646 Top Strike & C7710 Mortise Strike (Panic and Fire Rated)
Dogging Feature	Hex key dogging standard on non fired rated devices; specify 16- for cylinder dogging (#41 cylinder supplied)
Electric Options	AL- Alarm BT- Beacon™ PL- SARGuide Photoluminescent Coated TL- SARGuide Illuminated Touchpad 53- LX Latchbolt Monitor 54- Outside Lever Monitoring 55- Request-to-Exit Signal - Rail Monitoring 56- Remote Latch Retraction 57- Delay Egress & Electromagnets 58- Electric Dogging 59- Electroguard – Self Contained Delayed Egress
Mounting Fasteners	Supplied standard with wood and machine screws Available with through-bolts and mortise (sex) nuts
Top & Center Bolts	Stainless steel
Device Centerline from Finished Floor	41" (1041 mm) for Standard Applications
Door/Opening Height	<b>Must be specified</b> - 120" (3048mm) Max Door Opening
Center Case Dimensions	8-3/8" (213mm) x 2-5/8" (67mm)
Projection	Pushbar Neutral – 3" (76mm) Pushbar Depressed – 2-1/8" (54mm)
Fire Exit Hardware*	See Chart – Page 3

\* For fire-rated, double wood door applications, one 683 thermal pin kit is required per door (Purchased Separately)  
**How it works:** The mortise lock of the SP device has a stainless steel bolt which projects into the door's frame at the center of the door with the additional security of the top bolt.

## Single Door Application



## SP8700 Side View



## SP8700 Functions & Trims

### 80 Series

**How to order:** Options 55- Series SP87 Function 13 Rail Lgth F Trim ETL Hand RHR Outside Finish 26D Inside Finish 32D Door Width 36" Door Height 84" AFF 41"

#### 700 Series ET Trim



Exits with ET Trim, specify lever design after the ET designation (e.g., ETL)

SARGENT Function Numbers	ANSI Function Numbers	Description & Cylinder Info (1-3/4" Door)	ANSI Type 11 SP8700 Panic & Fire
06	09	Key unlocks Trim, Trim retracts latch/ Trim relocks when key is removed #41 Cylinder Supplied	SP8706 x ET_
10	01	No outside operation (No Cylinder)	SP8710
10	02	No outside operation (No Cylinder) ET Control is used as Pull Only	SP8710 x ET_
13	08	Key Outside Unlocks/locks Trim #41 Cylinder Supplied	SP8713 x ET_
15	14	Passage Only (No cylinder)	SP8715 x ET_
40	02	Freewheeling Trim - No outside Operation (No Cylinder) Dummy Trim	SP8740 x ET_
43	08	Freewheeling Trim - Key Outside Unlocks/locks Trim #41 Cylinder Supplied	SP8743 x ET_
46	09	Freewheeling Trim - Key unlocks Trim, Trim retracts latch/ Trim relocks when key is removed #41 Cylinder Supplied	SP8746 x ET_
73		Electrified ET Trim - Fail Safe Power Off, Unlocks Lever (No Cylinder)***	SP8773 x ET_
74		Electrified ET Trim - Fail Secure Power Off, Locks Lever (No Cylinder)***	SP8774 x ET_

#### Lever Designs for ET Controls

A, B, E, F, J, L, P, W  
Also available with Coastal Series & Studio Collection Levers

#### ET Designation with Suffix (Used to order ET without device)

SP8700 Series: 706-8, 710, 713-8, 715-8, 740, 743-8, 746-8, 773-8 & 774-8

#### Freewheeling Trim

The lever rotates when the door is locked preventing excessive force from being applied to the horizontal lever

#### Electrified ET Trim

Voltage must be specified for the following functions: 73 and 74.  
Specify: 12VDC or 24VDC

#### Options SP8700

##### Mechanical Options:

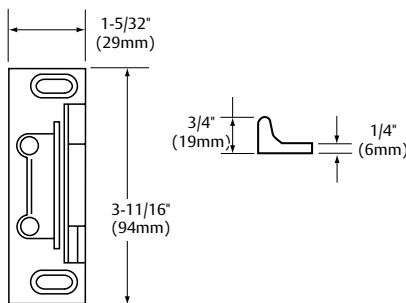
12-  
16-  
19-  
36-  
37-  
43-  
53-  
54-  
55-  
56-  
56-HK-  
57-  
58-  
59-  
BC-59-  
76-  
85-  
86-  
87-  
AL-  
BT-  
CPC-  
LD-  
PL-  
SG-  
TL-  
**Cylinder Options:**  
10-  
10-21-  
10UL-  
10-63-  
11-  
11-21-  
11-60-  
11-63-  
11-64-  
11-70-7P-  
11-72-7P-  
11-73-7P-  
11-65-73-7P-  
21-  
22-  
51-  
52-  
60-  
63-  
64-  
70-  
72-  
73-  
65-73-  
65-73-7P-  
73-7P-  
81-  
82-  
F1-82-  
83-  
F1-83-  
84-  
BR-  
LC-  
SC-  
SE-

**Note:** Exit devices are available in all standard finishes, except 14, 15, 26 & 26D. With these finishes, exit devices are supplied in 32 or 32D to match accordingly. 26 or 26D is automatically supplied when 32 or 32D is specified. For nickel finishes, specify 14/32 or 15/32D to receive nickel finished trims and stainless exit devices.

**Note:** AFF means Above Finished Floor, center line of rail Above Finished Floor

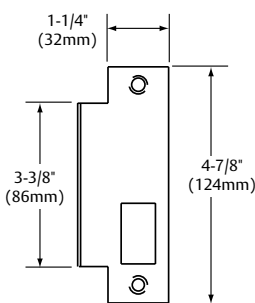
\*\*\* Cylinder override is not available with PP & PR 8700 Series Devices

#### 646 Top Strike



- Standard for SP8700 and 12-SP8700
- Surface applied to frame
- Black nylon coated

#### C7710 Mortise Centercase Strike



- Standard for SP8700 and 12-SP8700
- Handed
- Stainless steel only

#### Available Finishes

SARGENT Finishes	BHMA Finishes
03	605
04	606
09	611
10	612
10B	613
10BE	613E
10BL	614
14	618
15	619
20D	624
26	625
26D	626
32	629
32D	630

# PP8600 & PR8600 Center & Top Latch Concealed Vertical Rods for Pair of Doors & Double Egress

80 Series

**SARGENT®**  
**ASSA ABLOY**



PP8600 & PR8600 Series

PP8600 Shown

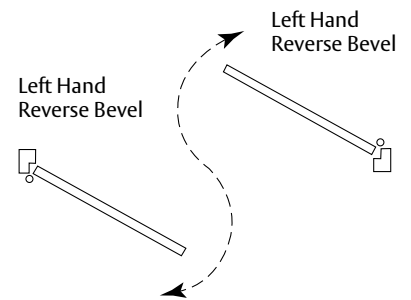
## Features

- The security of a stainless steel center bolt and two concealed top bolt without bottom rod issues
- Devices are ANSI A156.3
- UL Fire and Panic listed
- Both doors are active. Either door can be opened or closed without affecting the other door. Door coordinators and open back strikes are not required
- Latchbolt adjustable to allow for 1/8" (3mm) - 3/8" (9mm) door gap centerline of bevel
- Top case latchbolt projection adjustable through center case
- Tripping potential removed - no bottom strike
- All functions determined by outside trim
- Concealed rods offer security and aesthetics
- Patented design - U.S. Patent No. 6,174,004

## Specifications for PP & PR8600 Series Exit

Door Types	Factory prepped wood/metal doors for surface mounted PP & PR8600 devices 1-3/4" (44mm) Doors only with 2-3/4" (70mm) backset 4-1/2" (114mm) minimum stile (584 Kit required for wood doors)
Rail sizes as determined by door width	Rails are available in 4 sizes, use door width to determine size needed. Rails will be factory cut to size, if door width is supplied <ul style="list-style-type: none"> <li>• E Rail for 24" to 32" door widths, No cutting required for 32" door</li> <li>• F Rail for 33" to 36" door widths, No cutting required for 36" door</li> <li>• J Rail for 37" to 42" door widths, No cutting required for 42" door</li> <li>• G Rail for 43" to 48" door widths, No cutting required for 48" door</li> </ul>
Strike	650 Top Strike (Panic and Fire Rated)
Dogging Feature	Hex key dogging standard on non fired rated devices; specify 16- for cylinder dogging (#41 cylinder supplied)
Electric Options	AL- Alarm BT- Beacon™ PL- SARGuide Photoluminescent Coated TL- SARGuide Illuminated Touchpad 54- Outside Lever Monitoring 55- Request-to-Exit Signal - Rail Monitoring 56- Remote Latch Retraction 57- Delay Egress & Electromagnets 58- Electric Dogging
Mounting Fasteners	Supplied standard with wood and machine screws Available with through-bolts and mortise (sex) nuts
Top & Center Bolt	Stainless steel
Device Centerline from Finished Floor	41" (1041mm) for Standard Applications
Door/Opening Height	<b>Must be specified</b> - 120" (3048mm) Max Door Opening
Center Case Dimensions	8-3/8" (213mm) x 2-5/8" (67mm)
Projection	Pushbar Neutral – 3" (76 mm) Pushbar Depressed – 2-1/8" (54 mm)
Fire Exit Hardware*	See Chart – Page 3

## Double Egress Application



## Pair of Doors



\* For fire-rated, double wood door applications, one 683 thermal pin kit is required per door (Purchased Separately)  
**How it works:** The mortise lock of the PP device has a stainless steel bolt which projects into the mortise lock of the PR device at the center of the door in addition to concealed top bolts in each door.

Copyright © 1998-2014, Sargent Manufacturing Company, an ASSA ABLOY Group company. All rights reserved. Reproduction in whole or in part without the express written permission of Sargent Manufacturing Company is prohibited.

# PP8600 & PR8600 Functions & Trims

80 Series

# SARGENT®

# ASSA ABLOY

**How to order:** Options 55- Series PP86 Function 13 Rail Lgth F Trim ETL Hand RHR Outside Finish 26D Inside Finish 32D Door Width 36" Door Height 84" AFF 41"

## 700 Series ET Trim



Exits with ET Trim, specify lever design after the ET designation (e.g., ETL)

SARGENT Function Numbers	ANSI Function Numbers	Description & Cylinder Info (1-3/4" Door)	ANSI Type 11	
			PP8600 Panic & Fire	PR8600 Panic & Fire
06	09	Key unlocks Trim, Trim retracts latch/ Trim relocks when key is removed #41 Cylinder Supplied	PP8606 x ET_	PR8606 x ET_
10	01	No outside operation (No Cylinder)	PP8610	PR8610
10	02	No outside operation (No Cylinder) ET Control is used as Pull Only	PP8610 x ET_	PR8610 x ET_
13	08	Key Outside Unlocks/locks Trim #41 Cylinder Supplied	PP8613 x ET_	PR8613 x ET_
15	14	Passage Only (No cylinder)	PP8615 x ET_	PR8615 x ET_
40	02	Freewheeling Trim - No outside operation (No Cylinder) Dummy Trim	PP8640 x ET_	PR8640 x ET_
43	08	Freewheeling Trim - Key Outside Unlocks/locks Trim #41 Cylinder Supplied	PP8643 x ET_	PR8643 x ET_
46	09	Freewheeling Trim - Key unlocks Trim, Trim retracts latch/ Trim relocks when key is removed #41 Cylinder Supplied	PP8646 x ET_	PR8646 x ET_
73		Electrified ET Trim - Fail Safe Power Off, Unlocks Lever (No Cylinder)***	PP8673 x ET_	PR8673 x ET_
74		Electrified ET Trim - Fail Secure Power Off, Locks Lever (No Cylinder)***	PP8674 x ET_	PR8674 x ET_

**Note:** Exit devices are available in all standard finishes, except 14, 15, 26 & 26D. With these finishes, exit devices are supplied in 32 or 32D to match accordingly. 26 or 26D is automatically supplied when 32 or 32D is specified. For nickel finishes, specify 14/32 or 15/32D to receive nickel finished trims and stainless exit devices.

**Note:** AFF means Above Finished Floor, center line of rail Above Finished Floor

\*\*\* Cylinder override is not available with PP & PR 8600 Series Devices

## Lever Designs for ET Controls

A, B, E, F, J, L, P, W  
Also available with Coastal Series & Studio Collection Levers

## ET Designation with Suffix (Used to order ET without device)

PP8600 & PR8600 Series: 706-6, 710-6, 713-6, 715-6, 740-6, 743-6, 746-6, 773-6 & 774-6

## Freewheeling Trim

The lever rotates when the door is locked preventing excessive force from being applied to the horizontal lever

## Electrified ET Trim

Voltage must be specified for the following functions: 73 and 74.  
Specify: 12VDC or 24VDC

**Note:** PP & PR Exit devices should be ordered in pairs, for correct operation; one device engages the other. For single door applications, order SP Device

## Options

### PP & PR8600 Options

#### Mechanical Options:

12-  
16-  
19-  
36-  
37-  
43-  
53-  
54-  
55-  
56-  
56-HK-  
57-  
58-  
76-  
85-  
86-  
87-  
AL-  
BT-  
CPC-  
LD-  
PL-  
SG-  
TL-

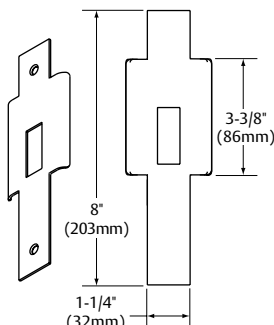
#### Cylinder Options:

10-  
10-21-  
10UL-  
10-63-  
11-  
11-21-  
11-60-  
11-63-  
11-64-  
11-70-7P-  
11-72-7P-  
11-73-7P-  
11-65-73-7P-  
21-  
22-  
51-  
52-  
60-  
63-  
64-  
70-  
72-  
73-  
65-73-  
65-73-7P-  
73-7P-  
81-  
82-  
F1-82-  
83-  
F1-83-  
84-  
BR-  
LC-  
SC-  
SE-

## Available Finishes

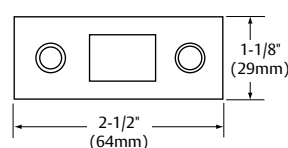
SARGENT Finishes	BHMA Finishes
03	605
04	606
09	611
10	612
10B	613
10BE	613E
10BL	614
14	618
15	619
20D	624
26	625
26D	626
32	629
32D	630

## 68-1183 Double Lipped PR Mortise Front



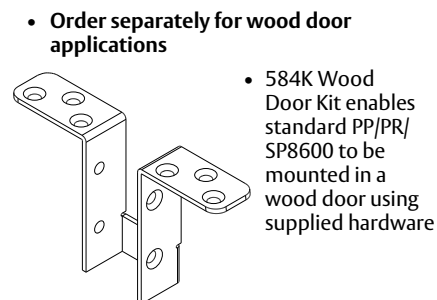
- Standard for PR8600
- Stainless steel only

## 650 Top Strike



- For application in metal frames
- Stainless steel
- 650 top strike for fire & panic rated devices

## \*584K Wood Door Kit



- Order separately for wood door applications

- 584K Wood Door Kit enables standard PP/PR/SP8600 to be mounted in a wood door using supplied hardware

# SP8600 Center & Top Latch Concealed Vertical Rod for Single Door Applications

80 Series

**SARGENT®**  
**ASSA ABLOY**



**SP8600 Series**

## Features

- The security of a stainless steel center bolt and a concealed top bolt without bottom rod issues
- Devices are ANSI A156.3
- UL Fire and Panic listed
- Latchbolt adjustable to allow for 1/8" (3mm) - 3/8" (9mm) door gap centerline of bevel
- Top case latchbolt projection adjustable through center case
- Tripping potential removed - no bottom strike
- All functions determined by outside trim
- Concealed rods offer security and aesthetics
- Patented design - U.S. Patent No. 6,174,004

## Specifications for SP8600 Series Exit

Door Types	Factory prepped wood/metal doors for surface mounted SP 8600 devices 1-3/4" (44mm) Doors only with 2-3/4" (70mm) backset 4-1/2" (114mm) minimum stile (584 Kit required for wood doors)
Rail sizes as determined by door width	Rails are available in 4 sizes, use door width to determine size needed. Rails will be factory cut to size, if door width is supplied <ul style="list-style-type: none"> <li>• E Rail for 24" to 32" door widths, No cutting required for 32" door</li> <li>• F Rail for 33" to 36" door widths, No cutting required for 36" door</li> <li>• J Rail for 37" to 42" door widths, No cutting required for 42" door</li> <li>• G Rail for 43" to 48" door widths, No cutting required for 48" door</li> </ul>
Strike	650 Top Strike & C7710 Mortise Strike (Panic and Fire Rated)
Dogging Feature	Hex key dogging standard on non fired rated devices; specify 16- for cylinder dogging (#41 cylinder supplied)
Electric Options	AL- Alarm BT- Beacon™ PL- SARGuide Photoluminescent Coated TL- SARGuide Illuminated Touchpad 54- Outside Lever Monitoring 55- Request-to-Exit Signal - Rail Monitoring 56- Remote Latch Retraction 57- Delay Egress & Electromagnets 58- Electric Dogging
Mounting Fasteners	Supplied standard with machine screws
Top & Center Bolts	Stainless steel
Device Centerline from Finished Floor	41" (1041mm) for Standard Applications
Door/Opening Height	<b>Must be specified</b> - 120" (3048mm) Max Door Opening
Center Case Dimensions	8-3/8" (213mm) x 2-5/8" (67mm)
Projection	Pushbar Neutral – 3" (76mm) Pushbar Depressed – 2-1/8" (54mm)
Fire Exit Hardware*	See Chart – Page 3

\* For fire-rated, double wood door applications, one 683 thermal pin kit is required per door (Purchased Separately)  
**How it works:** The mortise lock of the SP device has a stainless steel bolt which projects into the door frame at the center of the door with the additional security of a concealed top bolt.

## Single Door Application

\* **Note:** Available for 1-3/4" (44mm) thick doors only. No glass bead shim kits or inside panel condition permitted.



## SP8613 x ET Trim



Copyright © 1998-2014, Sargent Manufacturing Company, an ASSA ABLOY Group company. All rights reserved. Reproduction in whole or in part without the express written permission of Sargent Manufacturing Company is prohibited.

## SP8600 Functions & Trims

### 80 Series

**How to order:** Options 58- Series SP86 Function 13 Rail Lgth F Trim ETL Hand RHR Outside Finish 26D Inside Finish 32D Door Width 36" Door Height 84" AFF 41"

#### 700 Series ET Trim



Exits with ET Trim, specify lever design after the ET designation (e.g., ETL)

#### Lever Designs for ET Controls

A, B, E, F, J, L, P, W  
Also available with Coastal Series & Studio Collection Levers

#### ET Designation with Suffix (Used to order ET without device)

SP8600 Series: 706-6, 710-6, 713-6, 715-6, 740-6, 743-6, 746-6, 773-6 & 774-6

#### Freewheeling Trim

The lever rotates when the door is locked preventing excessive force from being applied to the horizontal lever

#### Electrified ET Trim

Voltage must be specified for the following functions: 73 and 74. Specify: 12VDC or 24VDC

SARGENT Function Numbers	ANSI Function Numbers	Description & Cylinder Info (1-3/4" Door)	ANSI Type 12 SP8600 Panic & Fire
06	09	Key unlocks Trim, Trim retracts latch/ Trim relocks when key is removed #41 Cylinder Supplied	SP8606 x ET_
10	01	No outside operation (No Cylinder)	SP8610
10	02	No outside operation (No Cylinder) ET Control is used as Pull Only	SP8610 x ET_
13	08	Key Outside Unlocks/locks Trim #41 Cylinder Supplied	SP8613 x ET_
15	14	Passage Only (No cylinder)	SP8615 x ET_
40	02	Freewheeling Trim - No outside operation (No Cylinder) Dummy Trim	SP8640 x ET_
43	08	Freewheeling Trim - Key Outside Unlocks/locks Trim #41 Cylinder Supplied	SP8643 x ET_
46	09	Freewheeling Trim - Key unlocks Trim, Trim retracts latch/ Trim relocks when key is removed #41 Cylinder Supplied	SP8646 x ET_
73		Electrified ET Trim - Fail Safe Power Off, Unlocks Lever (No Cylinder)***	SP8673 x ET_
74		Electrified ET Trim - Fail Secure Power Off, Locks Lever (No Cylinder)***	SP8674 x ET_

**Note:** Exit devices are available in all standard finishes, except 14, 15, 26 & 26D. With these finishes, exit devices are supplied in 32 or 32D to match accordingly. 26 or 26D is automatically supplied when 32 or 32D is specified. For nickel finishes, specify 14/32 or 15/32D to receive nickel finished trims and stainless exit devices.

**Note:** AFF means Above Finished Floor, center line of rail Above Finished Floor

\*\*\* Cylinder override is not available with SP 8600 Series Devices

#### Options

##### SP8600

#### Mechanical Options:

12-  
16-  
19-  
36-  
37-  
43-  
53-  
54-  
55-  
56-  
56-HK-  
57-  
58-  
76-  
85-  
86-  
87-  
AL-  
BT-  
CPC-  
LD-  
PL-  
SG-  
TL-

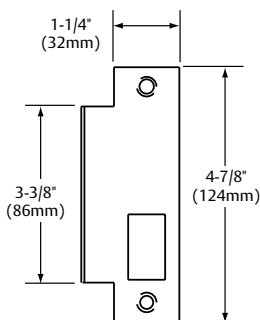
#### Cylinder Options:

10-  
10-21-  
10UL-  
10-63-  
11-  
11-21-  
11-60-  
11-63-  
11-64-  
11-70-7P-  
11-72-7P-  
11-73-7P-  
11-65-73-7P-  
21-  
22-  
51-  
52-  
60-  
63-  
64-  
70-  
72-  
73-  
65-73-  
65-73-7P-  
73-7P-  
81-  
82-  
F1-82-  
83-  
F1-83-  
84-  
BR-  
LC-  
SC-  
SE-

#### Available Finishes

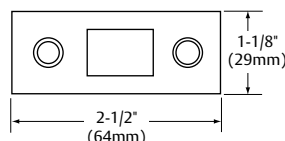
SARGENT Finishes	BHMA Finishes
03	605
04	606
09	611
10	612
10B	613
10BE	613E
10BL	614
14	618
15	619
20D	624
26	625
26D	626
32	629
32D	630

#### 67710 Mortise Centercase Strike



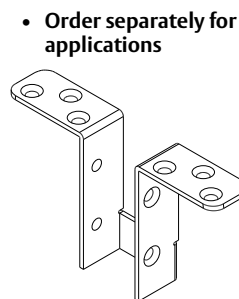
- Standard for SP8600
- Handed
- Stainless steel only

#### 650 Top Strike



- For application in metal frames
- Stainless steel
- Top strike for Panic & Fire Rated

#### 584K Wood Door



- Order separately for wood door applications

- 584K Wood Door Kit enables standard PP/PR/ SP8600 to be mounted in a wood door using supplied hardware



# LP8600 & LR8600 Low Profile Center & Top Latch Concealed Vertical Rods for Pair of Doors & Double Egress

80 Series

**SARGENT®**  
**ASSA ABLOY**



**LP8600 & LR8600 Series**

**LP8600 Shown**

## Specifications

Door Types	Factory prepped metal doors for LP & LR devices. 1-3/4" (44mm) Doors only with 2-3/4" (70mm) backset; 4-1/2" (114mm) minimum stile
Rail sizes as determined by door width	Rails are available in 3 sizes, use door width to determine size needed. <ul style="list-style-type: none"> <li>• L Rail for 36" door width no cutting required</li> <li>• M Rail for 42" to 44" door width no cutting required</li> <li>• N Rail - 46" to 48" door width no cutting required</li> </ul>
Strike	650 Top Strike (Panic and Fire Rated)
Dogging Feature	Hex key dogging standard on non fired rated devices; specify 16- for cylinder dogging (#41 cylinder supplied)
Electric Options	AL- Alarm BT- Beacon™ PL- SARGuide Photoluminescent Coated TL- SARGuide Illuminated Touchpad 54- Outside Lever Monitoring 55- Request-to-Exit Signal - Rail Monitoring 56- Remote Latch Retraction 58- Electric Dogging
Mounting Fasteners	Supplied standard with machine screws
Top & Center Bolts	Stainless steel
Device Centerline from Finished Floor	41" (1041mm) for Standard Applications
Door/Opening Height	<b>Must be specified</b> - 120" (3048mm) Max Door Opening
Center Case Dimensions	8-3/8" (213mm) x 2-5/8" (67mm)
Projection	Pushbar Neutral – 1-1/2" (38mm) Pushbar Depressed – 5/8" (15mm)
Fire Exit Hardware	See Chart – Page 3

**How it works:** The mortise lock of the LP device has a stainless steel bolt which projects into the mortise lock of the LR device at the center of the door in addition to top bolts in each door.

## Pair of Doors



### Notes:

1. Available for 1-3/4" (44mm) thick doors only. No glass bead shim kits or inside panel condition permitted.
2. LS/LP/LR8600 are available in the following door sizes only: 36", 42", 44", 46" or 48" (914mm, 1067mm, 1118mm, 1168mm or 1219mm)

**Note:** The following hollow metal door manufacturers are equipped to reinforce and prepare their steel doors for the LS/LP/LR8600 Series Low Profile exit devices: CECO, CURRIES and FLEMING. Please check with any other hollow metal door manufacturers regarding their ability to properly reinforce and prepare their doors for these exit devices.

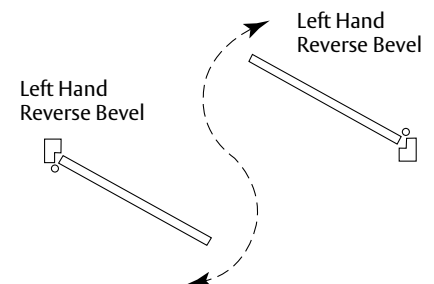
## Features

- The security of a stainless steel center bolt, two concealed top bolts and a low profile device for pairs of doors without bottom rod issues
- Devices are ANSI A156.3
- UL Fire and Panic listed
- 1-1/2" total projection from face of door
- Center and top latching
- No visible active chassis
- Center latchbolt adjustable for up to 3/8" (9mm) door gap
- Both doors are active. Either door can be opened or closed without affecting the other door. Door coordinators and open back strikes are not required
- Top case latchbolt projection adjustable through top case
- Tripping potential removed - no bottom strike
- All functions determined by outside trim (ET Trim only)
- Concealed rods for security and aesthetics

## LP8610 Side View



## Double Egress Application



## LP & LR8600 Functions & Trims

### 80 Series

**How to order:** Options Series Function Rail Lgth Trim Hand Outside Finish Inside Finish Door Width Door Height AFF  
 55- LP86 13 F ETL RHR 14 32 36" 84" 41"

#### 700 Series ET Trim



Exits with ET Trim, specify lever design after the ET designation (e.g., ETL)

#### Lever Designs for ET Controls

A, B, E, F, J, L, P, W  
 Also available with Coastal Series & Studio Collection Levers

#### ET Designation with Suffix (Used to order ET without device)

LP8600 & LR8600 Series: 706-6, 710-6, 713-6, 715-6, 740-6, 743-6, 746-6, 773-6 & 774-6

#### Freewheeling Trim

The lever rotates when the door is locked preventing excessive force from being applied to the horizontal lever

#### Electrified ET Trim

Voltage must be specified for the following functions: 73 and 74. Specify: 12VDC or 24VDC

**Note:** LP & LR Exit devices should be ordered in pairs, for correct operation; one device engages the other. For single door applications, order LS Device

SARGENT Function Numbers	ANSI Function Numbers	Description & Cylinder Info (1-3/4" Door)	ANSI Type 2	
			LP8600 Panic & Fire	LR8600 Panic & Fire
06	09	Key unlocks Trim, Trim retracts latch/ Trim relocks when key is removed #41 Cylinder Supplied	LP8606 x ET_	LR8606 x ET_
10	01	No outside operation (No Cylinder)	LP8610	LR8610
10	02	No outside operation (No Cylinder) ET Control is used as Pull Only	LP8610 x ET_	LR8610 x ET_
13	08	Key Outside Unlocks/locks Trim #41 Cylinder Supplied	LP8613 x ET_	LR8613 x ET_
15	14	Passage Only (No cylinder)	LP8615 x ET_	LR8615 x ET_
40	02	Freewheeling Trim - No outside operation (No Cylinder) Dummy Trim	LP8640 x ET_	LR8640 x ET_
43	08	Freewheeling Trim - Key Outside Unlocks/locks Trim #41 Cylinder Supplied	LP8643 x ET_	LR8643 x ET_
46	09	Freewheeling Trim - Key unlocks Trim, Trim retracts latch/ Trim relocks when key is removed #41 Cylinder Supplied	LP8646 x ET_	LR8646 x ET_
73		Electrified ET Trim - Fail Safe Power Off, Unlocks Lever (No Cylinder)***	LP8673 x ET_	LR8673 x ET_
74		Electrified ET Trim - Fail Secure Power Off, Locks Lever (No Cylinder)***	LP8674 x ET_	LR8674 x ET_

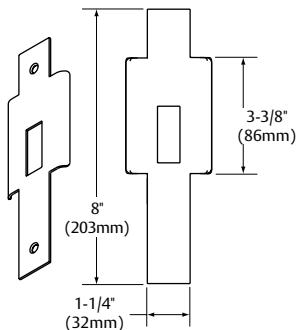
**Note:** Exit devices are available in all standard finishes, except 14, 15, 26 & 26D. With these finishes, exit devices are supplied in 32 or 32D to match accordingly. 26 or 26D is automatically supplied when 32 or 32D is specified. For nickel finishes, specify 14/32 or 15/32D to receive nickel finished trims and stainless exit devices.

**Note:** AFF means Above Finished Floor, center line of rail Above Finished Floor

\*\*\* Cylinder override is not available with LP & LR 8600 Series Devices

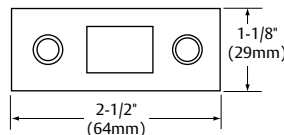
Options	
LP & LR8600	
<b>Mechanical Options:</b>	
12-	
16-	
19-	
36-	
37-	
54-	
55-	
56-	
56-HK-	
57-	
58-	
76-	
85-	
86-	
87-	
AL-	
BT-	
CPC-	
LD-	
PL-	
SG-	
TL-	
<b>Cylinder Options:</b>	
10-	
10-21-	
10UL-	
10-63-	
11-	
11-21-	
11-60-	
11-63-	
11-64-	
11-70-7P-	
11-72-7P-	
11-73-7P-	
11-65-73-7P-	
21-	
22-	
51-	
52-	
60-	
63-	
64-	
70-	
72-	
73-	
65-73-7P-	
65-73-7P-	
73-7P-	
81-	
82-	
F1-82-	
83-	
F1-83-	
84-	
BR-	
LC-	
SC-	
SE-	

#### 68-1183 Double Lipped LR Mortise Front



- Standard for LR8600
- Stainless steel only

#### 650 Top Strike



- For application in metal frames
- Stainless steel

#### Available Finishes

SARGENT Finishes	BHMA Finishes
03	605
04	606
09	611
10	612
10B	613
10BE	613E
10BL	614
14	618
15	619
20D	624
26	625
26D	626
32	629
32D	630

# LS8600 Low Profile Center & Top Latch Concealed Vertical Rod for Single Door Applications

80 Series

**SARGENT**  
**ASSA ABLOY**



**LS8600 Series**

## Specifications for LS8600 Series Exit

Door Types	Factory prepped metal doors for LP & LR devices. 1-3/4" (44mm) Doors only with 2-3/4" (70mm) backset; 4-1/2" (114mm) minimum stile
Rail sizes as determined by door width	Rails are available in 3 sizes, use door width to determine size needed. • L Rail for 36" door width no cutting required • M Rail for 42" to 44" door width no cutting required • N Rail - 46" to 48" door width no cutting required
Strike	650 Top Strike & C7710 Mortise Strike (Panic and Fire Rated)
Dogging Feature	Hex key dogging standard on non fired rated devices; specify 16- for cylinder dogging (#41 cylinder supplied)
Electric Options	AL- Alarm BT- Beacon™ PL- SARGuide Photoluminescent Coated TL- SARGuide Illuminated Touchpad 54- Outside Lever Monitoring 55- Request-to-Exit Signal - Rail Monitoring 56- Remote Latch Retraction 58- Electric Dogging
Mounting Fasteners	Supplied standard with machine screws
Top & Center Bolts	Stainless steel
Device Centerline from Finished Floor	41" (1041 mm) for Standard Applications
Door/Opening Height	<b>Must be specified</b> - 120" (3048mm) Max Door Opening
Center Case Dimensions	8-3/8" (213mm) x 2-5/8" (67mm)
Projection	Pushbar Neutral – 1-1/2" (38mm) Pushbar Depressed – 5/8" (15mm)
Fire Exit Hardware	See Chart – Page 3

**How it works:** The mortise lock of the LS device has a stainless steel bolt which projects into the door frame at the center of the door with the additional security of a concealed top bolt.

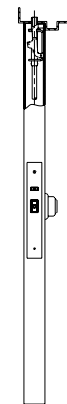
**Note:**

The following hollow metal door manufacturers are equipped to reinforce and prepare their steel doors for the LS/LP/LR8600 Series Low Profile exit devices: CECO, CURRIES and FLEMING. Please check with any other hollow metal door manufacturers regarding their ability to properly reinforce and prepare their doors for these exit devices.

## Features

- The security of a stainless steel center bolt, concealed top bolt and a low profile device for single doors without bottom rod issues
- Devices are ANSI A156.3
- UL Fire and Panic listed
- 1-1/2" total projection from face of door
- Center and top latching
- No visible active chassis
- Center latchbolt adjustable for up to 3/8" (9mm) door gap
- Top case latchbolt projection adjustable through top case
- Tripping potential removed - no bottom strike
- All functions determined by outside trim (ET Trim only)
- Concealed rods for security and aesthetics

## LS8610 Side View



**Notes:**

1. Available for 1-3/4" (44mm) thick doors only. No glass bead shim kits or inside panel condition permitted.
2. LS/LP/LR8600 are available in the following door sizes only: 36", 42", 44", 46" or 48" (914mm, 1067mm, 1118mm, 1168mm or 1219mm)

## LS8600 Functions & Trims

### 80 Series

**How to order:** Options 55- Series LP86 Function 13 Rail Lgth F Trim ETL Hand RHR Outside Finish 26D Inside Finish 32D Door Width 36" Door Height 84" AFF 41"

#### 700 Series ET Trim



Exits with ET Trim, specify lever design after the ET designation (e.g., ETL)

#### Lever Designs for ET Controls

A, B, E, F, J, L, P, W  
Also available with Coastal Series & Studio Collection Levers

#### ET Designation with Suffix (Used to order ET without device)

LS8600 Series: 706-6, 710-6, 713-6, 715-6, 740-6, 743-6, 746-6, 773-6 & 774-6

#### Freewheeling Trim

The lever rotates when the door is locked preventing excessive force from being applied to the horizontal lever

#### Electrified ET Trim

Voltage must be specified for the following functions: 73 and 74.  
Specify: 12VDC or 24VDC

SARGENT Function Numbers	ANSI Function Numbers	Description & Cylinder Info (1-3/4" Door)	ANSI Type 12 LS8600 Panic & Fire
06	09	Key unlocks Trim, Trim retracts latch/ Trim relocks when key is removed #41 Cylinder Required & Supplied	LS8606 x ET_
10	01	No outside operation (No Cylinder)	LS8610
10	02	No outside operation (No Cylinder) ET Control is used as Pull Only	LS8610 x ET_
13	08	Key Outside Unlocks/locks Trim #41 Cylinder Required & Supplied	LS8613 x ET_
15	14	Passage Only (No cylinder)	LS8615 x ET_
40	02	Freewheeling Trim - No outside operation (No Cylinder) Dummy Trim	LS8640 x ET_
43	08	Freewheeling Trim - Key Outside Unlocks/locks Trim #41 Cylinder Supplied	LS8643 x ET_
46	09	Freewheeling Trim - Key unlocks Trim, Trim retracts latch/ Trim relocks when key is removed #41 Cylinder Required & Supplied	LS8646 x ET_
73		Electrified ET Trim - Fail Safe Power Off, Unlocks Lever (No Cylinder)***	LS8673 x ET_
74		Electrified ET Trim - Fail Secure Power Off, Locks Lever (No Cylinder)***	LS8674 x ET_

**Note:** Exit devices are available in all standard finishes, except 14, 15, 26 & 26D. With these finishes, exit devices are supplied in 32 or 32D to match accordingly. 26 or 26D is automatically supplied when 32 or 32D is specified. For nickel finishes, specify 14/32 or 15/32D to receive nickel finished trims and stainless exit devices.

**Note:** AFF means Above Finished Floor, center line of rail Above Finished Floor

\*\*\* Cylinder override is not available with LP 8700 Series Devices

#### Options

##### LS8600

#### Mechanical Options:

12-  
16-  
19-  
36-  
37-  
54-  
55-  
56-  
56-HK-  
57-  
58-  
76-  
85-  
86-  
87-  
AL-  
BT-  
CPC-  
LD-  
PL-  
SG-  
TL-

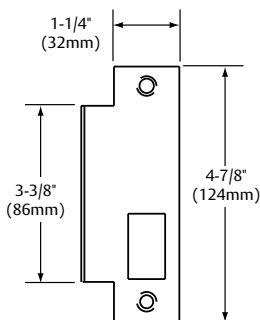
#### Cylinder Options:

10-  
10-21-  
10UL-  
10-63-  
11-  
11-21-  
11-60-  
11-63-  
11-64-  
11-70-7P-  
11-72-7P-  
11-73-7P-  
11-65-73-7P-  
21-  
22-  
51-  
52-  
60-  
63-  
64-  
70-  
72-  
73-  
65-73-  
65-73-7P-  
73-7P-  
81-  
82-  
F1-82-  
83-  
F1-83-  
84-  
BR-  
LC-  
SC-  
SE-

#### Available Finishes

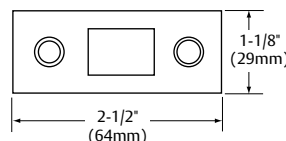
SARGENT Finishes	BHMA Finishes
03	605
04	606
09	611
10	612
10B	613
10BE	613E
10BL	614
14	618
15	619
20D	624
26	625
26D	626
32	629
32D	630

#### C7710 Mortise Centercase Strike



- Standard for LS8600
- Handed
- Stainless steel only

#### 650 Top Strike



- For application in metal frames
- Stainless steel
- Top strike for Panic & Fire Rated

# MD8600 (Hurricane-Resistant) Concealed Vertical Rod Exit Device for Metal Doors

80 Series



**SARGENT**  
**ASSA ABLOY**

## MD8600 Series Concealed Vertical Rod Exit Device for Metal Doors



### Features

- Designed for standard width stile applications on hollow metal doors
- Concealed rods for security and aesthetics
- Single and double door applications
- Devices are ANSI A156.3
- UL Fire and Panic listed

### Specifications for MD8600 & NB-MD8600 Series Exit

Door Types	Metal Doors, 1-3/4" (44mm) minimum thickness. For doors over 1-3/4" to 2-1/4" thick, specify thickness and order as 31- Option 4-1/2" (114mm) minimum stile width
Rail sizes as determined by door width	Rails are available in 4 sizes, use door width to determine size needed. Rails will be factory cut to size, if door width is supplied <ul style="list-style-type: none"> <li>• E Rail for 24" to 32" door widths, No cutting required for 32" door</li> <li>• F Rail for 33" to 36" door widths, No cutting required for 36" door</li> <li>• J Rail for 37" to 42" door widths, No cutting required for 42" door</li> <li>• G Rail for 43" to 48" door widths, No cutting required for 48" door</li> </ul>
Strike	650 Top Strike & 606 Bottom Strike (Panic and Fire Rated)
Dogging Feature	Hex key dogging standard on non fired rated devices; specify 16- for cylinder dogging (#41 cylinder supplied)
Electric Options	AL- Alarm BT- Beacon™ PL- SARGuide Photoluminescent Coated TL- SARGuide Illuminated Touchpad 53- LX Latchbolt Monitor 54- Outside Lever Monitoring 55- Request-to-Exit Signal - Rail Monitoring 56- Remote Latch Retraction 57- Delay Egress & Electromagnets 58- Electric Dogging 59- Electroguard – Self Contained Delayed Egress (NB- Excluded)
Mounting Fasteners	Supplied standard with machine screws
Top Bolt	Stainless steel
Device Centerline from Finished Floor	41" (1041mm) for Standard Applications 38" (965mm) for elementary schools and to meet local accessibility standards when a 100 Series Auxiliary Control is used
Door/Opening Height	<b>Must be specified</b> - 120" (3048mm) Max Door Opening 96" max door height for HC and WS options
Center Case Dimensions	8-3/8" (213mm) x 2-5/8" (67mm)
Projection	Pushbar Neutral – 3" (76mm) Pushbar Depressed – 2-1/8" (54mm)
Fire Exit Hardware	See Chart – Page 3

**Note:** MD8600 & 12-MD8600 can be used as NB- Device by simply not installing the bottom rod/bolt.

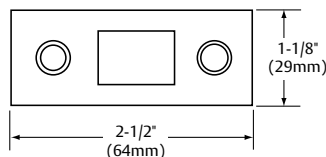
**Note:** 12-NB Applications require thermal pin. Thermal Pin supplied when ordered as a 12-NB Device

### 100 Series Aux Control

- Available as an 06 or 13 function
- Supplied with a SARGENT #41 Mortise Cylinder
- Can be used with any SARGENT Mortise Key System

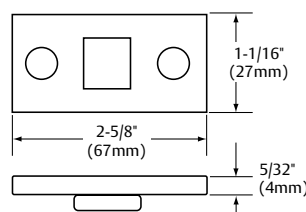


### 650 Top Strike



- For application in hollow metal frames
- Stainless steel nylon coated

### 606 Bottom Strike



- Furnished with expansion shields
- Mortised into floor
- Stainless steel

# MD8600 & NB-MD8600

## Functions & Trims for Metal Doors

### 80 Series



# SARGENT®

# ASSA ABLOY

<b>How to order:</b>	<b>Options</b>	<b>Series</b>	<b>Function</b>	<b>Rail Lgth</b>	<b>Trim</b>	<b>Hand</b>	<b>Outside Finish</b>	<b>Inside Finish</b>	<b>Door Width</b>	<b>Door Height</b>	<b>AFF</b>
	57-NB-	MD86	13	F	ETL	RHR	03	03	36"	84"	41"

#### 700 Series ET Trim



Exits with ET Trim, specify lever design after the ET designation (e.g., ETL)

SARGENT Function Numbers	ANSI Function Numbers	Description & Cylinder Info (1-3/4" Door)	ANSI Type 8 MD8600 Panic & Fire
06	09	Key unlocks Trim, Trim retracts latch/ Trim relocks when key is removed #41 Cylinder Supplied	MD8606 x ET_
10	01	No outside operation (No Cylinder)**	MD8610
10	02	No outside operation (No Cylinder)** ET Control is used as Pull Only	MD8610 x ET_
13	08	Key Outside Unlocks/locks Trim #41 Cylinder Supplied	MD8613 x ET_
15	14	Passage Only (No cylinder)	MD8615 x ET_
40	02	Freewheeling Trim - No outside Operation (No Cylinder)** Dummy Trim	MD8640 x ET_
43	08	Freewheeling Trim - Key Outside Unlocks/locks Trim #41 Cylinder Supplied	MD8643 x ET_
46	09	Freewheeling Trim - Key unlocks Trim, Trim retracts latch/ Trim relocks when key is removed #41 Cylinder Supplied	MD8646 x ET_
73		Electrified ET Trim - Fail Safe Power Off, Unlocks Lever (No Cylinder)**	MD8673 x ET_
74		Electrified ET Trim - Fail Secure Power Off, Locks Lever (No Cylinder)**	MD8674 x ET_

#### Lever Designs for ET Controls

A, B, E, F, J, L, P, W  
Also available with Coastal Series & Studio Collection Levers

#### ET Designation with Suffix (Used to order ET without device)

MD8600 & NB-MD8600 Series:  
706-4, 710-4, 713-4, 715-4, 740-4, 743-4, 746-4, 773-4, & 774-4

#### Freewheeling Trim

The lever rotates when the door is locked preventing excessive force from being applied to the horizontal lever

#### Electrified ET Trim

Voltage must be specified for the following functions: 73 and 74.  
Specify: 12VDC or 24VDC

**Note:** Exit devices are available in all standard finishes, except 14, 15, 26 & 26D. With these finishes, exit devices are supplied in 32 or 32D to match accordingly. 26 or 26D is automatically supplied when 32 or 32D is specified. For nickel finishes, specify 14/32 or 15/32D to receive nickel finished trims and stainless exit devices.  
**Note:** AFF means Above Finished Floor, center line of rail Above Finished Floor  
\*\* Cylinder Override is available with a 106 Aux Control  
Example Order: MD8673F 12V x ETMG x 106 x RHR x 32D x 36" w x 84" h

#### 100 Series Auxiliary Control++ & 862 Pull



100 Series Aux. Control



862 Pull

SARGENT Function Numbers	ANSI Function Numbers	Description & Cylinder Info (1-3/4" Door)	MD8600 Panic & Fire
06	12	Key unlocks Turn, Turn retracts latch/ Turn relocks when key is removed #41 Cylinder Supplied	MD8610 x 106
10	02	862 Pull Only (Optional Pulls: 863 & 864)	MD8610 x 862 Pull
13	11	Key Outside Unlocks/locks Turn #41 Cylinder Supplied	MD8610 x 113

**Note:** When ordering MD8600/NB-MD8600 Series Exit Device x 100 Series Aux. Control, specify 10 Function for the exit.  
Example: MD8610F x 106 x RHR x 32D x 42" x 90"

++ **Note:** Exit Devices must be mounted 38" AFF when used with a 100 Series Auxiliary Controls to meet ICC/ANSI A117.1-2003 Accessible & Usable Buildings and Facilities Code

#### Options

##### MD8600

#### Mechanical Options:

- 12-
- 16-
- 19-
- 31-
- 36-
- 37-
- 43-
- 53-
- 54-
- 55-
- 56-
- 56-HK-
- 57-
- 58-
- 59-
- BC-59-
- 76-
- 85-
- 86-
- 87-
- AL-
- BT-
- CPC-
- HC-
- LD-
- NB-
- PL-
- SG-
- TL-
- WS-

#### Cylinder Options:

- 10-
- 10-21-
- 10UL-
- 10-63-
- 11-
- 11-21-
- 11-60-
- 11-63-
- 11-64-
- 11-70-7P-
- 11-72-7P-
- 11-73-7P-
- 11-65-73-7P-
- 21-
- 22-
- 51-
- 52-
- 60-
- 63-
- 64-
- 70-
- 72-
- 73-
- 65-73-
- 65-73-7P-
- 73-7P-
- 81-
- 82-
- F1-82-
- F1-83-
- 84-
- BR-
- LC-
- SC-
- SE-

#### Available Finishes

SARGENT Finishes	BHMA Finishes
03	605
04	606
09	611
10	612
10B	613
10BE	613E
10BL	614
14	618
15	619
20D	624
26	625
26D	626
32	629
32D	630

Copyright © 1998-2014, Sargent Manufacturing Company, an ASSA ABLOY Group company. All rights reserved. Reproduction in whole or in part without the express written permission of Sargent Manufacturing Company is prohibited.

90641-P/6/1/14

# UL Listed Hurricane-Resistant HC8800 Rim Exit Device

80 Series



**SARGENT®**

**ASSA ABLOY**

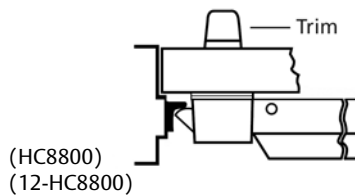
## HC8800 Series Rim Exit Device



### HC8800, 12-HC8800 Series Rim Exit Device

- Chassis: ductile iron
- Requires 2 chassis shims and 2 end bracket shims included with the exit device
- Additional information on HC980 Mullions available in Mullion Section of this catalog

### Single Door



### Features

- Designed for standard width stile applications on metal doors. For doors 1-3/4" (44mm) thick.
- Devices are ANSI A156.3
- UL Fire and Panic listed

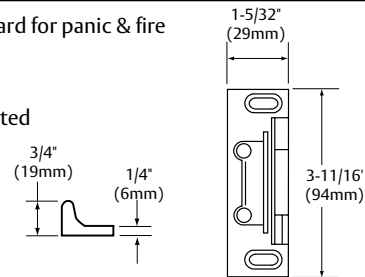
Rails are available in 4 sizes, use door width to determine size needed. Rails will be factory cut to size, if door width is supplied

- E Rail for 24" to 32" door widths, No cutting required for 32" door
- F Rail for 33" to 36" door widths, No cutting required for 36" door
- J Rail for 37" to 42" door widths, No cutting required for 42" door
- G Rail for 43" to 48" door widths, No cutting required for 48" door

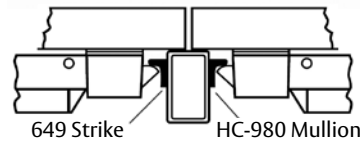
**Note:** For additional information on 8800 Series, see page 6

### 649 Strike

- Supplied standard for panic & fire rated openings
- Surface applied
- Black nylon coated



### Double Door HC-8800 with HC-980 Mullion







# UL Listed Hurricane-Resistant WS8800 Rim Exit Device

80 Series



**SARGENT®**

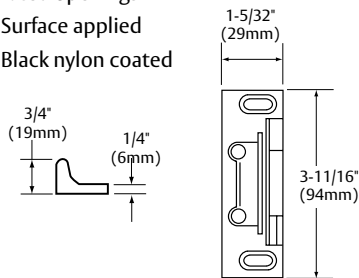
**ASSA ABLOY**

## WS8800 Series Rim Exit Device



### 649 Strike

- Supplied standard for panic & fire rated openings
- Surface applied
- Black nylon coated



### Features

- WS 8800 available for single hollow metal door applications for 1-3/4" thick door, 3'0" x 7'0" max, with 6" min stile
- Devices are ANSI A156.3
- UL Fire and Panic listed

WS8800 rails are available in 2 sizes, use door width to determine size needed. Rails will be factory cut to size, if door width is supplied

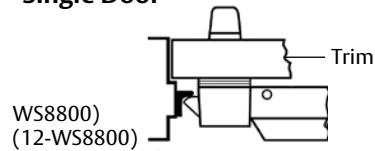
- E Rail for 24" to 32" door widths, No cutting required for 32" door
- F Rail for 33" to 36" door widths, No cutting required for 36" door

**Note:** For additional information on 8800 Series, see page 6

### WS8800, 12-WS8800 Series Rim Exit Device

- Chassis: Non Fire Rated - Nonferrous alloy
- Requires 3 chassis shims and 3 end bracket shims included with the exit device

### Single Door



# UL Listed Hurricane-Resistant WS8800 Functions and Trims

## 80 Series



# SARGENT®

## ASSA ABLOY

How to order: Options 12 Series WS88 Function 13 Rail Lgth F Trim ETL Hand RHR Outside Finish 15 Inside Finish 32D Door Width 36"

Options for  
HC8800 & WS8800

### 700 Series ET Trim



Exits with ET Trim, specify lever design after the ET designation (e.g., ETL)

SARGENT Function Numbers	ANSI Function Numbers	Description & Cylinder Info (1-3/4" Door)	ANSI Type 1 WS8800 Panic & Fire
04	03	Night Latch Key Retracts Latch #34 Cylinder Supplied	WS8804 x ET_
06	09	Key unlocks Trim, Trim retracts latch/ Trim relocks when key is removed #41 Cylinder Supplied	WS8806 x ET_
10	01	No outside operation (No Cylinder)	WS8810
10	02	No outside operation (No Cylinder) ET Control is used as Pull Only	WS8810 x ET_
13	08	Key Outside Unlocks/locks Trim #41 Cylinder Supplied	WS8813 x ET_
15	14	Passage Only (No cylinder)	WS8815 x ET_
40	02	Freewheeling Trim - No outside Operation (No Cylinder) Dummy Trim	WS8840 x ET_
43	08	Freewheeling Trim - Key Outside Unlocks/locks Trim #41 Cylinder Supplied	WS8843 x ET_
44	03	Freewheeling Trim - Key Retracts Latch #34 Cylinder Supplied	WS8844 x ET_
46	09	Freewheeling Trim - Key unlocks Trim, Trim retracts latch/ Trim relocks when key is removed #41 Cylinder Supplied	WS8846 x ET_
75++		Electrified ET Trim - Fail Safe Power Off, Unlocks Lever, Key Retracts Latch #34 Cylinder Supplied	WS8875 x ET_
76**		Electrified ET Trim - Fail Secure Power Off, Locks Lever, Key Retracts Latch #34 Cylinder Supplied	WS8876 x ET_

### Lever Designs for ET Controls

A, B, E, F, J, L, P, W  
Also available with Coastal Series & Studio Collection Levers

### ET Designation with Suffix (Used to order ET without device)

HC-8800 Series: 704, 706-8, 710, 713-8, 715-8, 740, 743-8, 744, 746-8, 773-8, 774-8, 775-8 & 776-8

### Freewheeling Trim

The lever rotates when the door is locked preventing excessive force from being applied to the horizontal lever

### Electrified ET Trim

Voltage must be specified for the following functions: 73, 74, 75 and 76. Specify: 12VDC or 24VDC

**Mechanical Options:**

- 12-
- 16-
- 19-
- 31-
- 36-
- 37-
- 43-
- 54-
- 55-
- 56-
- 56-HK-
- 57-
- 58-
- 76-
- 85-
- 86-
- 87-
- BT-
- CPC-
- LD-
- PL-
- SG-
- TB-
- TL-

**Cylinder Options:**

- 10-
- 10-21-
- 10UL-
- 10-63-
- 11-
- 11-21-
- 11-60-
- 11-63-
- 11-64-
- 11-70-7P-
- 11-72-7P-
- 11-73-7P-
- 11-65-73-7P-
- 21-
- 22-
- 51-
- 52-
- 60-
- 63-
- 64-
- 70-
- 72-
- 73-
- 65-73-
- 65-73-7P-
- 73-7P-
- 81-
- 82-
- F1-82-
- 83-
- F1-83-
- 84-
- BR-
- LC-
- SC-
- SE-

**Note:** Exit devices are available in all standard finishes, except 14, 15, 26 & 26D. With these finishes, exit devices are supplied in 32 or 32D to match accordingly. 26 or 26D is automatically supplied when 32 or 32D is specified. For nickel finishes, specify 14/32 or 15/32D to receive nickel finished trims and stainless exit devices.  
++ 75 Function without cylinder is available as a 73 Function  
\*\* 76 Function without cylinder is available as a 74 Function

### Trim Designations

- Use three letter designations (Ex "PTB") when ordering the Exit Device with trim
- Use the six digit designation (Ex "810-MAL") when ordering trim without an Exit Device, always specify finish

### Pull Section

SARGENT Function Numbers	ANSI Function Numbers	Description & Cylinder Info. (1-3/4" Door)	814-FSL*	814-FSW*	814-MSL*	814-PSB*	814-ST5	Series
04	03	Night Latch-Key Retracts Latch #34 Cylinder Supplied						WS8804 x Trim Designation
10	02	No O/S Operation or Cylinder (Pull Only)	810-FLL	810-FLW	810-MAL	810-PTB	810-ST5	WS8810 x Trim Designation

### Available Finishes

SARGENT Finishes	BHMA Finishes
03	605
04	606
09	611
10	612
10B	613
10BE	613E
10BL	614
14	618
15	619
20D	624
26	625
26D	626
32	629
32D	630

\* FSL, FSW, MSL and PSB trims are used with (HC-& 12-) 8888 and 8804 only and are the same as FLL, FLW, MAL and PTB pulls except for cylinder hole located 3/8" (9mm) lower  
**Note:** FLW & FSW trims are not available in 32(629) or 32D(630)

Copyright © 1998-2014, Sargent Manufacturing Company, an ASSA ABLOY Group company. All rights reserved. Reproduction in whole or in part without the express written permission of Sargent Manufacturing Company is prohibited.

90641-P6/1/14

# UL Listed Hurricane-Resistant WS8900 Mortise Lock Exit Device

80 Series



**SARGENT**

**ASSA ABLOY**

## WS8900 Series Mortise Lock Exit Device



### Features

- WS8900 available for Single Hollow Metals Doors applications for 1-3/4" Thick door, 3'0" x 7'0" Max. Door with 6" Min Stile
- Requires 4 chassis shims and 4 end bracket shims to be included with exit device
- Devices are ANSI A156.3
- UL Fire and Panic listed

WS8900 rails are available in 2 sizes, use door width to determine size needed. Rails will be factory cut to size, if door width is supplied

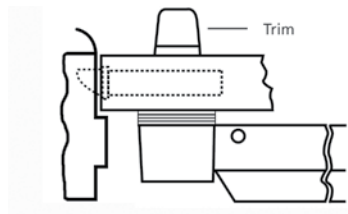
- E Rail for 24" to 32" door widths, No cutting required for 32" door
- F Rail for 33" to 36" door widths, No cutting required for 36" door

**Note:** For additional information on 8900 Series and Windstorm Ratings for the standard 8900 Series, see page 8

### Single Door

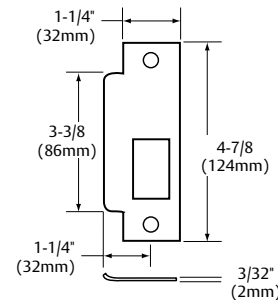
#### WS8900, 12-WS8900 Series Mortise Exit Device

- Requires 4 chassis shims and 4 end bracket shims included with the exit device



### C908 Standard Strike

- Curved lip ANSI A-115.1
- Handed. 1-1/4" (32mm) lip standard
- Longer lips in increments of 1/4" (6mm) through 2-7/8" (73mm) available
- Black nylon coated



# UL Listed Hurricane-Resistant WS8900 Functions & Trims



# SARGENT® ASSA ABLOY

## 80 Series

**How to order:** Options 11-63- Series WS89 Function 13 Rail Lgth F Trim ETL Hand RHR Outside Finish 14 Inside Finish 32 Door Width 36"

### 700 Series ET Trim



Exits with ET Trim, specify lever design after the ET designation (e.g., ETL)

### Lever Designs for ET Controls

A, B, E, F, J, L, P, W  
Also available with Coastal Series & Studio Collection Levers

### ET Designation with Suffix (Used to order ET without device)

WS8900 Series: 704, 706, 710, 713, 715, 716, 740, 743, 744, 773, 774, 775 & 776

### Freewheeling Trim

The lever rotates when the door is locked preventing excessive force from being applied to the horizontal lever

### Electrified ET Trim and Electrified Mortise Locks

Voltage must be specified for the following functions: 73, 74, 75 and 76. Specify: 12VDC or 24VDC

SARGENT Function Numbers	ANSI Function Numbers	Description & Cylinder Info (1-3/4" Door)	WS8900 Panic & Fire
04	03	Night Latch Key Retracts Latch #46 Cylinder Supplied	WS8904 x ET_
06	09	Key unlocks Trim, Trim retracts Latch/ Trim relocks when key is removed #41 Cylinder Supplied	WS8906 x ET_
10	01	No outside operation (No Cylinder)	WS8910
10	02	No outside operation (No Cylinder) ET Control is used as Pull Only	WS8910 x ET_
13	08	Key Outside Unlocks/locks Trim #41 Cylinder Supplied	WS8913 x ET_
15	14	Passage Only (No cylinder)	WS8915 x ET_
16	10	Key Outside Retracts Latch; Key Inside Unlocks/Locks O/S Trim O/S #46 & I/S #34 Cylinder Supplied	WS8916 x ET_
40	02	Freewheeling Trim - No outside operation (No Cylinder) Dummy Trim	WS8940 x ET_
43	08	Freewheeling Trim - Key Outside Unlocks/locks Trim #41 Cylinder Supplied	WS8943 x ET_
44	03	Freewheeling Trim - Key Retracts Latch For 1-3/4" Door #46 Cylinder Supplied	WS8944 x ET_
75++		Electrified ET Trim - Fail Safe Power Off, Unlocks Lever, Key Retracts Latch For 1-3/4" Door #46 Cylinder Supplied	WS8975 x ET_
76**		Electrified ET Trim - Fail Secure Power Off, Locks Lever, Key Retracts Latch For 1-3/4" Door #46 Cylinder Supplied	WS8976 x ET_

**Note:** Exit devices are available in all standard finishes, except 14, 15, 26 & 26D. With these finishes, exit devices are supplied in 32 or 32D to match accordingly. 26 or 26D is automatically supplied when 32 or 32D is specified. For nickel finishes, specify 14/32 or 15/32D to receive nickel finished trims and stainless exit devices.

++ 75 Function without cylinder is available as a 73 Function

\*\* 76 Function without cylinder is available as a 74 Function

### Pull & Thumb Piece Trim Section

### Trim Designations

- Use three letter designations (Ex "PTB") when ordering the Exit Device with trim
- Use the six digit designation (Ex "866-MAL") when ordering trim without an Exit Device, always specify finish & hand



WS8900 Panic & Fire

SARGENT Function Numbers	ANSI Function Numbers	Description & Cylinder Info. (1-3/4" Door)	814-FLL	814-FLW	814-MAL	814-PTB	814-ST5	WS8900 Panic & Fire
04	03	Night Latch Key Retracts Latch #41 Cylinder Supplied						WS8904 x Trim Designation
10	02	No O/S Operation or Cylinder (Pull Only)						WS8910 x Trim Designation
28	15	Passage Only (No cylinder)						WS8928 x Trim Designation
63	05	Key Outside Unlocks/locks Trim #41 Cylinder Supplied						WS8963 x Trim Designation
66	07	Key Outside Retracts Latch; Key Inside Unlocks/Locks O/S Trim O/S #34 & I/S #41 Supplied						WS8966 x Trim Designation

**Note:** Thumb piece trims for 63 and 66 function devices are identical and are identified as 66 function when trim is ordered separately.

**Note:** FLW trim is not available in 32(629) or 32D(630)

**Note:** Thumb Piece Trims used with Mortise Lock Exit Devices are handed.

### Options

#### WS8900

#### Mechanical Options:

- 12-
- 16-
- 19-
- 23-
- 31-
- 36-
- 37-
- 43-
- 54-
- 55-
- 56-
- 56-HK-
- 57-
- 58-
- 76-
- 85-
- 86-
- 87-
- BT-
- CPC-
- LD-
- PL-
- SG-
- TL-

#### Cylinder Options:

- 10-
- 10-21-
- 10UL-
- 10-63-
- 11-
- 11-21-
- 11-60-
- 11-63-
- 11-64-
- 11-70-7P-
- 11-72-7P-
- 11-73-7P-
- 11-65-73-7P-
- 21-
- 22-
- 51-
- 52-
- 60-
- 63-
- 64-
- 70-
- 72-
- 73-
- 65-73-
- 65-73-7P-
- 73-7P-
- 81-
- 82-
- 83-
- F1-83-
- 84-
- BR-
- LC-
- \*SC-
- \*SE-

\* Options are not available with the following functions: 04 x ET, 16, 44, 75 & 76

### Available Finishes

SARGENT Finishes	BHMA Finishes
03	605
04	606
09	611
10	612
10B	613
10BE	613E
10BL	614
14	618
15	619
20D	624
26	625
26D	626
32	629
32D	630

# UL Listed Hurricane Resistant HC4-8700 Surface Vertical Rod Device

## 80 Series



**SARGENT®**  
**ASSA ABLOY**



**HC4-8700 Series  
Surface Vertical Rod  
Exit Device**

### Features

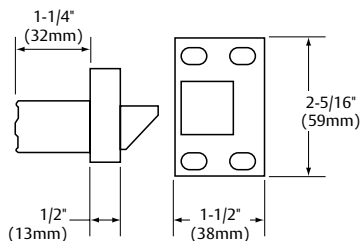
- Meets the abuse and high wind loads required by Florida building code including HVHC.
- Note:** For additional information on 8700 Series, see page 10

Openings	8'0" x 8'0" (2438mm x 2438mm)
Strikes	659 Top Strike in frame with larger mounting screws for both top and bottom cases. 655 bottom strike furnished standard
Rail sizes as determined by door width	Rails are available in 4 sizes, use door width to determine size needed. Rails will be factory cut to size, if door width is supplied <ul style="list-style-type: none"> <li>• E Rail for 24" to 32" door widths, No cutting required for 32" door</li> <li>• F Rail for 33" to 36" door widths, No cutting required for 36" door</li> <li>• J Rail for 37" to 42" door widths, No cutting required for 42" door</li> <li>• G Rail for 43" to 48" door widths, No cutting required for 48" door</li> </ul>
Strike	659 Top Strike (Panic and Fire Rated) 655 Bottom Strike (Panic and Fire Rated)
Dogging Feature	Hex key dogging standard on non fired rated devices; specify 16- for cylinder dogging (#41 cylinder supplied)
Top & Bottom Bolt	Stainless steel
Device Centerline	41" (1041 mm) for Standard Applications 38" (965mm) for elementary schools and to meet local accessibility standards when a 300 Series Auxiliary Control is used
Door/Opening Height	<b>Must be specified</b> - 96" (2438mm) Max Door Opening
Fire Exit Hardware	See Chart – Page 3

**Note:** Approved single openings cannot be used as a pair, but a door in a pair can be used as a single opening

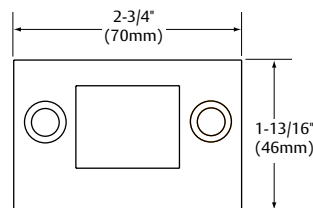
### 659 Top Strike

- For HC4-8700/12-HC4-8700
- Latchbolt nylon coated
- Stainless steel



### 655 Bottom Strike

- For HC4-8700/12-HC4-8700
- Stainless steel
- Black nylon coated



# UL Listed Hurricane Resistant HC4-8700 Functions & Trims

## 80 Series



# SARGENT®

---

# ASSA ABLOY

### How to order:

Options	Series	Function	Rail Lgth	Trim	Hand	Outside Finish	Inside Finish	Door Width	Door Height	AFF
10-63-	HC4-87	13	F	ETL	RHR	15	32D	36"	84"	41"

### 700 Series ET Trim



Exits with ET Trim, specify lever design after the ET designation (e.g., ETL)

### Lever Designs for ET Controls

A, B, E, F, J, L, P, W  
Also available with Coastal Series & Studio Collection Levers

### ET Designation with Suffix (Used to order ET without device)

HC4-8700 Series: 706, 710, 713, 715, 740, 743, 746, 773 & 774

### Freewheeling Trim

The lever rotates when the door is locked preventing excessive force from being applied to the horizontal lever

### Electrified ET Trim

Voltage must be specified for the following functions: 73 and 74.  
Specify: 12VDC or 24VDC

SARGENT Function Numbers	ANSI Function Numbers	Description & Cylinder Info (1-3/4" Door)	ANSI Type 2 HC4-8700 Panic & Fire
06	09	Key unlocks Trim, Trim retracts latch/Trim locks when key is removed #41 Cylinder Supplied	HC4-8706 x ET_
10	01	No outside operation (No Cylinder)	HC4-8710
10	02	No outside operation (No Cylinder) ET Control is used as Pull Only	HC4-8710 x ET_
13	08	Key Outside Unlocks/locks Trim #41 Cylinder Supplied	HC4-8713 x ET_
15	14	Passage Only (No cylinder)	HC4-8715 x ET_
40	02	Freewheeling Trim - No outside operation (No Cylinder) Dummy Trim	HC4-8740 x ET_
43	08	Freewheeling Trim - Key Outside Unlocks/locks Trim #41 Cylinder Supplied	HC4-8743 x ET_
46	09	Freewheeling Trim - Key unlocks Trim, Trim retracts latch/rellocks when key is removed #41 Cylinder Supplied	HC4-8746 x ET_
73		Electrified ET Trim - Fail Safe Power Off, Unlocks Lever (No Cylinder)	HC4-8773 x ET_
74		Electrified ET Trim - Fail Secure Power Off, Locks Lever (No Cylinder)	HC4-8774 x ET_

**Note:** Exit devices are available in all standard finishes, except 14, 15, 26 & 26D. With these finishes, exit devices are supplied in 32 or 32D to match accordingly. 26 or 26D is automatically supplied when 32 or 32D is specified. For nickel finishes, specify 14/32 or 15/32D to receive nickel finished trims and stainless exit devices.

**Note:** AFF means Above Finished Floor, center line of rail Above Finished Floor

Options HC4-8700
<b>Mechanical Options:</b>
12-
16-
19-
31-
36-
37-
43-
53-
54-
55-
56-
56-HK-
57-
58-
59-
BC-59-
76-
85-
86-
87-
AL-
BT-
CPC-
LD-
PL-
SG-
TB-
TL-
<b>Cylinder Options:</b>
10-
10-21-
10UL-
10-63-
11-
11-21-
11-60-
11-63-
11-64-
11-70-7P-
11-72-7P-
11-73-7P-
11-65-73-7P-
21-
22-
51-
52-
60-
63-
64-
70-
72-
73-
65-73-
65-73-7P-
73-7P-
81-
82-
F1-82-
83-
F1-83-
84-
BR-
LC-
SC-
SE-

### Pull & Thumb Piece Trim Section

### Trim Designations

- Use only letter designations when ordering the Exit Device with trim
- Use the six digit designation (Ex "866-MAL") when ordering trim without an Exit Device, always specify finish

### Series



HC4-8700  
Panic & Fire  
HC4-8710 x Trim Designation

SARGENT Function Numbers	ANSI Function Numbers	Description & Cylinder Info. (1-3/4" Door)	810-FLL	810-FLW	810-MAL	810-PTB	810-ST5
10	02	Pull Only (No Cylinder)					

**Note:** FLW trim is not available in 32(629) or 32D(630)

### Available Finishes

SARGENT Finishes	BHMA Finishes
03	605
04	606
09	611
10	612
10B	613
10BE	613E
10BL	614
14	618
15	619
20D	624
26	625
26D	626
32	629
32D	630

Copyright © 1998-2014, Sargent Manufacturing Company, an ASSA ABLOY Group company. All rights reserved. Reproduction in whole or in part without the express written permission of Sargent Manufacturing Company is prohibited.

90641P6/1/14

# UL Listed Hurricane-Resistant HC8700 Surface Vertical Rod Device

## 80 Series



**SARGENT®**  
**ASSA ABLOY**



### HC8700 Series Surface Vertical Rod Exit Device

#### Features

- Meets the abuse and high wind loads required by Florida building code including HVHC.
- Accepted & approved with CURRIES hollow metal doors and McKINNEY hinges. Any substitution of hardware makes the Hurricane Code inapplicable.

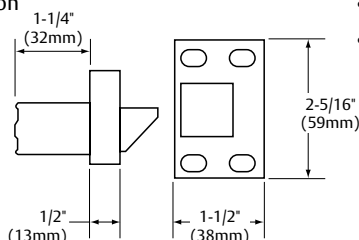
**Note:** For additional information on 8700 Series, see page 10

Openings	8'0" x 8'0" (2438mm x 2438mm) Curries 16 gauge 747 flush, S edge
Frames	CURRIES 16 gauge KD, Pipe spacer anchors only, 12 gauge full sleeve reinforcing and existing opening anchor in head of frame
Weatherstrip/threshold	Testing and approved: Pemko S88 on head & jamb Pemko 2005AS as threshold
Hinges	McKINNEY TA2714 or T2714
Hardware Configuration 1	SARGENT HC8700 or 12-HC8700 Exit Devices on both leaves
Hardware Configuration 2 Vertical Rod Exit & Mortise Lock	SARGENT 8200 Series mortise lock (active), SARGENT HC8700 or 12-HC8700 exit devices (inactive), Ives 360 surface bolts at 5 3/4" (147mm) at centerline
Strikes	654 top bolt in frame with larger mounting screws for both top and bottom cases. 655 bottom strike furnished standard
Rail sizes as determined by door width	Rails are available in 4 sizes, use door width to determine size needed. Rails will be factory cut to size, if door width is supplied <ul style="list-style-type: none"> <li>• E Rail for 24" to 32" door widths, No cutting required for 32" door</li> <li>• F Rail for 33" to 36" door widths, No cutting required for 36" door</li> <li>• J Rail for 37" to 42" door widths, No cutting required for 42" door</li> <li>• G Rail for 43" to 48" door widths, No cutting required for 48" door</li> </ul>
Strike	654 Top Latch (Panic and Fire Rated) 655 Bottom Strike (Panic and Fire Rated)
Dogging Feature	Hex key dogging standard on non fired rated devices; specify 16- for cylinder dogging (#41 cylinder supplied)
Top & Bottom Bolt	Stainless steel
Device Centerline	41" (1041 mm) for Standard Applications 38" (965mm) for elementary schools and to meet local accessibility standards when a 300 Series Auxiliary Control is used
Door/Opening Height	<b>Must be specified</b> - 96" (2438mm) Max Door Opening
Fire Exit Hardware	See Chart – Page 3

**Note:** Approved single openings cannot be used as a pair, but a door in a pair can be used as a single opening

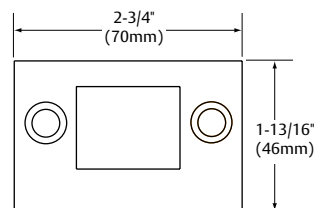
#### 654 Top Latch

- For HC8700/12-HC8700
- Latchbolt nylon coated
- Stainless steel



#### 655 Bottom Strike

- For HC8700/12-HC8700
- Stainless steel
- Black nylon coated



# UL Listed Hurricane-Resistant HC8700 Functions & Trims

## 80 Series



# SARGENT®

## ASSA ABLOY

### How to order:

Options	Series	Function	Rail Lgth	Trim	Hand	Outside Finish	Inside Finish	Door Width	Door Height	AFF
10-63-	HC87	13	F	ETL	RHR	15	32D	36"	84"	41"

### 700 Series ET Trim



Exits with ET Trim, specify lever design after the ET designation (e.g., ETL)

SARGENT Function Numbers	ANSI Function Numbers	Description & Cylinder Info (1-3/4" Door)	ANSI Type 2 HC8700 Panic & Fire
06	09	Key unlocks Trim, Trim retracts latch/ Trim relocks when key is removed #41 Cylinder Supplied	HC8706 x ET_
10	01	No outside operation (No Cylinder)**	HC8710
10	02	No outside operation (No Cylinder)** ET Control is used as Pull Only	HC8710 x ET_
13	08	Key Outside Unlocks/locks Trim #41 Cylinder Supplied	HC8713 x ET_
15	14	Passage Only (No cylinder)	HC8715 x ET_
40	02	Freewheeling Trim - No outside operation (No Cylinder)** Dummy Trim	HC8740 x ET_
43	08	Freewheeling Trim - Key Outside Unlocks/locks Trim #41 Cylinder Supplied	HC8743 x ET_
46	09	Freewheeling Trim - Key unlocks Trim, Trim retracts latch/ relocks when key is removed #41 Cylinder Supplied	HC8746 x ET_
73		Electrified ET Trim - Fail Safe Power Off, Unlocks Lever (No Cylinder)**	HC8773 x ET_
74		Electrified ET Trim - Fail Secure Power Off, Locks Lever (No Cylinder)**	HC8774 x ET_

### Lever Designs for ET Controls

A, B, E, F, J, L, P, W  
Also available with Coastal Series & Studio Collection Levers

### ET Designation with Suffix (Used to order ET without device)

HC8700 Series: 706, 710, 713, 715, 740, 743, 746, 773 & 774

### Freewheeling Trim

The lever rotates when the door is locked preventing excessive force from being applied to the horizontal lever

### Electrified ET Trim

Voltage must be specified for the following functions: 73 and 74. Specify: 12VDC or 24VDC

**Note:** Exit devices are available in all standard finishes, except 14, 15, 26 & 26D. With these finishes, exit devices are supplied in 32 or 32D to match accordingly. 26 or 26D is automatically supplied when 32 or 32D is specified. For nickel finishes, specify 14/32 or 15/32D to receive nickel finished trims and stainless exit devices.

**Note:** AFF means Above Finished Floor, center line of rail Above Finished Floor

\*\* Cylinder Override is available with a 306 Aux Control

Example Order: 8773F 12V x ETMG x 306 x RHR x 32D x 36" w x 84" h

Options HC8700
<b>Mechanical Options:</b>
12-
16-
19-
31-
36-
37-
43-
53-
54-
55-
56-
56-HK-
57-
58-
59-
BC-59-
76-
85-
86-
87-
AL-
BT-
CPC-
LD-
PL-
SG-
TB-
TL-
<b>Cylinder Options:</b>
10-
10-21-
10UL-
10-63-
11-
11-21-
11-60-
11-63-
11-64-
11-70-7P-
11-72-7P-
11-73-7P-
11-65-73-7P-
21-
22-
51-
52-
60-
63-
64-
70-
72-
73-
65-73-
65-73-7P-
73-7P-
81-
82-
F1-82-
83-
F1-83-
84-
BR-
LC-
SC-
SE-

### 300 Series++ Auxiliary Control & 862 Pull



300 Series Aux. Control



862 Pull

SARGENT Function Numbers	ANSI Function Numbers	Description & Cylinder Info (1-3/4" Door)	HC8700 Panic & Fire
06	12	Key unlocks Turn, Turn retracts latch/ Turn relocks when key is removed #41 Cylinder Supplied	HC8710 x 306
10	02	862 Pull Only (Optional Pulls: 863 & 864)	HC8710 x 862
13	11	Key Outside Unlocks/locks Turn #41 Cylinder Supplied	HC8710 x 313

**Note:** When ordering HC8700 Series Exit Device x 300 Series Aux. Control, specify 10 Function for the exit. Example: HC8710F x 306 x RHR x 32D x 42" x 90"

++ **Note:** Exit Devices must be mounted 38" AFF when used with a 300 Series Auxiliary Controls to meet ICC/ANSI A117.1-2003 Accessible & Usable Buildings and Facilities Code

### Pull & Thumb Piece Trim Section

### Trim Designations

- Use only letter designations when ordering the Exit Device with trim
- Use the six digit designation (Ex "866-MAL") when ordering trim without an Exit Device, always specify finish

### Series

### Available Finishes

SARGENT Function Numbers	ANSI Function Numbers	Description & Cylinder Info. (1-3/4" Door)	810-FLL	810-FLW	810-MAL	810-PTB	810-ST5	HC8700 Panic & Fire
10	02	Pull Only (No Cylinder)**						HC8710 x Trim Designation

\*\*\* Cylinder Override is available with a 306 Aux Control  
**Note:** FLW trim is not available in 32(629) or 32D(630)

SARGENT Finishes	BHMA Finishes
03	605
04	606
09	611
10	612
10B	613
10BE	613E
10BL	614
14	618
15	619
20D	624
26	625
26D	626
32	629
32D	630

Copyright © 1998-2014, Sargent Manufacturing Company, an ASSA ABLOY Group company. All rights reserved. Reproduction in whole or in part without the express written permission of Sargent Manufacturing Company is prohibited.

90641P6/1/14



# UL Listed Hurricane-Resistant FM8700 Surface Vertical Rod Exit Device

## 80 Series



**SARGENT®**  
**ASSA ABLOY**



**FM8700 Series  
Surface Vertical Rod  
Exit Device**

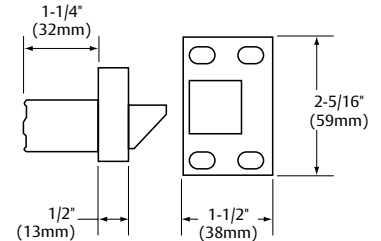
### Features

- SARGENT's FM8700 is one of the only 2-point latching exit device in the industry UL approved to ANSI standards to comply to FEMA 361 guidelines
- Requires no complicated, expensive door prep
- Specially machined rail and internal components make the FM8700 sturdier and more robust than standard products

### Specifications:

For Doors	CECO and CURRIES StormPro 361 Series Door
Frames	16 gauge KD, pipe spacer anchors only, 12 gauge full sleeve reinforcing and existing opening anchor in head of frame - Up to 8'-0" x 8'-0" for pairs of fire rated doors - Up to 4'-0" x 8'-0" for single fire rated doors (Requires 4 Thermal Pins)
Hardware	McKINNEY 4-1/2" x 4-1/2" Heavy Weight Hinge: SARGENT FM8700 or 12-FM8700 Exit Device on both leaves or single door applications
Strikes	659 Top Strike in frame and 653 bottomstrike furnished standard
Rail sizes as determined by door width	Rails are available in 4 sizes, use door width to determine size needed. Rails will be factory cut to size, if door width is supplied • E Rail for 28" to 32" door widths, No cutting required for 32" door • F Rail for 33" to 36" door widths, No cutting required for 36" door • J Rail for 37" to 42" door widths, No cutting required for 42" door • G Rail for 43" to 48" door widths, No cutting required for 48" door
Dogging Feature	Hex key dogging available on non fire rated devices only
Electric Options	PL- SARGuide Photoluminescent Coated Option 54- Outside Lever Monitoring Option
Mounting Fasteners	Supplied standard with machine screws and with throughbolts for the latch cases
Top & Bottom Bolt	Stainless steel
Device Centerline from Finished Floor	41" (1041mm) for Standard Applications 38" (965mm) for elementary schools and to meet local accessibility standards a when 300 Series Auxiliary Control is used
Door/Opening Height	Must be specified - 96" (2438mm) Max Door
Center Case Dimensions	8-3/8" (213mm) x 2-5/8" (67mm)
Projection	Pushbar Neutral – 3" (76mm) Pushbar Depressed – 2-1/8" (54mm)
Fire Exit Hardware	See Chart – Page 3

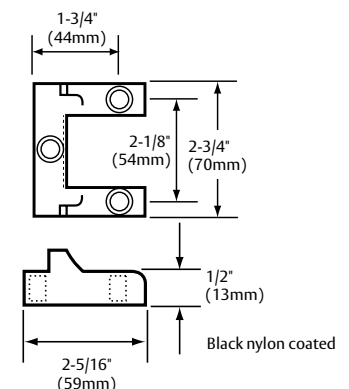
### 659 Top Strike



- For Panic & Fire Rated
- Latchbolt nylon coated
- Stainless steel

### 653 Strike

653 Bottom Strike  
Panic and Fire-Rated



# UL Listed Hurricane-Resistant FM8700 Functions & Trims

## 80 Series



# SARGENT®

## ASSA ABLOY

**How to order:** Options 12- Series FM87 Function 13 Rail Lgth F Trim ETL Hand RHR Outside Finish 15 Inside Finish 32D Door Width 36" Door Height 84" AFF 41"

### 700 Series ET Trim



Exits with ET Trim, specify lever design after the ET designation (e.g., ETL)

### Lever Designs for ET Controls

A, B, E, F, J, L, P, W  
Also available with Coastal Series & Studio Collection Levers

### ET Designation with Suffix (Used to order ET without device)

FM8700 Series: 706, 710, 713, 715, 740, 743, 746, 773 & 774

### Freewheeling Trim

The lever rotates when the door is locked preventing excessive force from being applied to the horizontal lever

### Electrified ET Trim

Voltage must be specified for the following functions: 73 and 74.  
Specify: 12VDC or 24VDC

SARGENT Function Numbers	ANSI Function Numbers	Description & Cylinder Info (1-3/4" Door)	ANSI Type 2 FM8700 (Panic & Fire)
06	09	Key unlocks Trim, Trim retracts latch/ Trim relocks when key is removed #41 Cylinder Supplied	FM8706 x ET_
10	01	No outside operation (No Cylinder)**	FM8710
10	02	No outside operation (No Cylinder)** ET Control is used as Pull Only	FM8710 x ET_
13	08	Key Outside Unlocks/locks Trim #41 Cylinder Supplied	FM8713 x ET_
15	14	Passage Only (No cylinder)	FM8715 x ET_
40	02	Freewheeling Trim - No outside operation (No Cylinder)** Dummy Trim	FM8740 x ET_
43	08	Freewheeling Trim - Key Outside Unlocks/locks Trim #41 Cylinder Supplied	FM8743 x ET_
46	09	Freewheeling Trim - Key unlocks Trim, Trim retracts latch/ relocks when key is removed #41 Cylinder Supplied	FM8746 x ET_
73		Electrified ET Trim - Fail Safe Power Off, Unlocks Lever (No Cylinder)**	FM8773 x ET_
74		Electrified ET Trim - Fail Secure Power Off, Locks Lever (No Cylinder)**	FM8774 x ET_

**Note:** Exit devices are available in all standard finishes, except 14, 15, 26 & 26D. With these finishes, exit devices are supplied in 32 or 32D to match accordingly. 26 or 26D is automatically supplied when 32 or 32D is specified. For nickel finishes, specify 14/32 or 15/32D to receive nickel finished trims and stainless exit devices.

**Note:** AFF means Above Finished Floor, center line of rail Above Finished Floor

\*\* Cylinder Override is available with a 306 Aux Control

Example Order: 8773F 12V x ETMG x 306 x RHR x 32D x 36" w x 84" h



### 300 Series Auxiliary++ Control



SARGENT Function Numbers	ANSI Function Numbers	Description & Cylinder Info (1-3/4" Door)	FM8700 Panic & Fire
06	12	Key unlocks Turn, Turn retracts latch/ Turn relocks when key is removed #41 Cylinder Supplied	FM8710 x 306
13	11	Key Outside Unlocks/locks Turn #41 Cylinder Supplied	FM8710 x 313

**Note:** When ordering FM8700 Series Exit Device x 300 Series Aux. Control, specify 10 Function for the exit.  
Example: FM8710F x 306 x RHR x 32D x 42" x 90"

++ **Note:** Exit Devices must be mounted 38" AFF when used with a 300 Series Auxiliary Controls to meet ICC/ANSI A117.1-2003 Accessible & Usable Buildings and Facilities Code

### Options

FM8700

#### Mechanical Options:

- 12-
- 36-
- 37-
- 43-
- 54-
- 76-
- 85-
- 86-
- 87-
- CPC-
- LD-
- PL-
- SG-
- TB-

#### Cylinder Options:

- 10-
- 10-21-
- 10UL-
- 10-63-
- 11-
- 11-21-
- 11-60-
- 11-63-
- 11-64-
- 11-70-7P-
- 11-72-7P-
- 11-73-7P-
- 11-65-73-7P-
- 21-
- 22-
- 51-
- 52-
- 60-
- 63-
- 64-
- 70-
- 72-
- 73-
- 65-73-
- 65-73-7P-
- 73-7P-
- 81-
- 82-
- F1-82-
- 83-
- F1-83-
- 84-
- BR-
- LC-
- SC-
- SE-

### Available Finishes

SARGENT Finishes	BHMA Finishes
03	605
04	606
09	611
10	612
10B	613
10BE	613E
10BL	614
14	618
15	619
20D	624
26	625
26D	626
32	629
32D	630

Copyright © 1998-2014, Sargent Manufacturing Company, an ASSA ABLOY Group company. All rights reserved. Reproduction in whole or in part without the express written permission of Sargent Manufacturing Company is prohibited.

90641P06/1/14

### ElectroLynx Connector & Color Chart

Electrified Trim (Solenoid ET and/or 54-) requires its own QC8 Hinge

PRODUCT	8 PIN CONNECTOR							
	1- Black	2- Red	3- White	4- Green	5- Orange	6- Blue	7- Brown	8- Yellow
ELECTRIFIED EXIT TRIM	Power		Lever Monitoring					
Solenoid Functions and Lever Monitoring	solenoid ET Trim		54- Switch Option					
	NEG	POS	C	NO	NC			

**Note:** For more information on ElectroLynx® Retrofit Kits and harnesses, see instruction document A7738, located at the SARGENT web site.

Electrified Exit Devices will require their own QC8 or QC12 Hinge as determined by specified options (see chart below)

PRODUCT	8 PIN CONNECTOR								4 PIN CONNECTOR				FLYING LEADS		
	1- Black	2- Red	3- White	4- Green	5- Orange	6- Blue	7- Brown	8- Yellow	9- Violet	10- Gray	11- Pink	12- Tan	13-Red/ Green	14-Red/ Yellow	14-Red/ Black
EXIT DEVICES	Power		Latch Monitoring			Rail Monitoring			SARGuide Power		56-				
80 Series Exits	56- & 58-		53- Switch Option			55- Switch Option			TL- SARGuide		56- TIMER CIRCUIT				
	NEG	POS	C	53-NO 56-EG	53-NC 53-56-NO	C	NO	NC	NEG	POS	A	B			
DELAYED EGRESS EXIT DEVICES															
57-80 Series Exits	Power		Fire Alarm	Earth Ground	External Inhibit	Door Status	EXTERNAL MAGNET								
	NEG	POS					NEG	POS							
59-80 Series Electroguard	Power		Fire Alarm	Earth Ground	External Inhibit	Door Status	Remote Alarm Relay			LBM - OPTION			VOICE/GANG		
	NEG	POS					C	NO	NC	C	NO	NC	C	NO	NC
BT- 80 Series Beacon	Power		Not Used	Earth Ground	+IN/CC	-IN/CC	+RET	-RET	TL-SARGuide		+SIL	-SIL			
	NEG	POS							NEG	POS					

All electrical options are supplied with ElectroLynx® connectors and require McKINNEY QC Hinges and cables to complete the system

Electrical Option Availability Chart											
Primary Options	Compatible Options										
12- Fire Rated	AL-	BT-			53-	55-	56-	57-	58-	59-	TL-
*AL- Alarmed Exit			12-		53-				58-		TL-
TL- SARGuide®	AL-	BT-	12-	16-‡	53-	55-	56-	57-	58-		
BT- Beacon			12-								TL-
16- Cylinder Dogging					53-	55-	56-		58-		TL-
53- Latch Monitoring	AL-		12-	16-‡		55-	56-		58-		TL-
55- Rail Monitoring			12-	16-‡	53-		56-		58-		TL-
56- Electric Latch Retraction			12-	16-‡	53-	55-					TL-
57- Delayed Egress			12-			55-					TL-
58- Electric Dogging	AL-		12-	16-‡	53-	55-					TL-
**59- Electroguard®			12-								

How to use this chart: Select appropriate option in the left column, under "Primary Option", then follow the row to find compatible options.

**Note:** Underlined compatible options affect minimum door width. Consult factory.

\* The AL- design includes monitored push rail

\*\* The 59- design includes monitored push rail and latch

# Security Shim Kit and Beacon™ (BT-) Option

80 Series

**SARGENT®**

**ASSA ABLOY**

## Exit Device Security Shim Kit

The SARGENT 541 Exit Device Security Shim Kit fills the gap between the exit device and the glass creating a flush surface. This kit can be easily trimmed and installed to accommodate most door styles without removing the SARGENT push rail exit device.

This not only responds to the ever increasing need for improved building security, but also maintains the facility's aesthetic design.



## Features & Benefits:

- Nylon and brushed aluminum construction can be easily cut and trimmed for custom fit
- Fits all doors up to 48" wide and stiles ranging from 4-1/2" to 6"
- Adjustment shims accommodate gaps from 3/8" to 3/4"
- 6 Lobe tamper proof security screws are included
- A T10 Torx driver required for assembly
- Fasteners are countersunk for flush finish
- 541 Kit contains a 48" shim, ready to be sized

## How to order:

- 541 Kit

## Beacon™ Exit Device

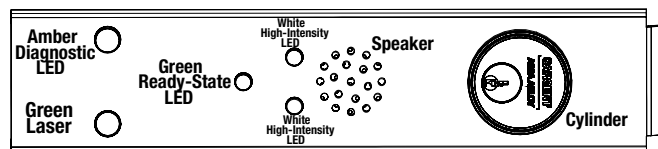
SARGENT introduces Beacon, a next generation exit device that creates a clearer pathway to safety during an emergency. As part of the ASSA ABLOY LiteGuide family of products, Beacon offers a combination of audible and visible alerts built into the exit device that makes it a unique and effective supplement to existing fire alarm systems. It is connected to the building's alarm system, and when activated, Beacon emits a pulse of light followed by an audible message declaring "exit located here". A laser light beamed from the exit device forms an arrow shape pointing directly to the exit device – helping occupants locate the exit.

- Supplements other directional signals and signage by attracting attention to the exit door with voice commands, flashing LEDs, and a laser that produces a conical beam of light.
- Accepts alarm signal from either dry contact relay and power supply) or from the notification appliance circuit (NAC) of a fire alarm control panel (FACP)
- Central control from fire alarm control panel (FACP) with silence and reset commands.
- Low current draw (30mA @ 24VDC in Standby Mode, 0.5 amps @ 24VDC nominal (0.9 amps max) in Alarm Mode) ensures long operation time on back-up batteries.
- Test mode and diagnostic trouble reporting for ease of installation and periodic functional checks
- Audible message in 3 languages (English, Spanish and French)
  - Customizable functionality from on-board adjustments (DIP switch settings)
  - Allows user to select which languages and indicators are activated
- Convenient wiring installation with ElectroLynx 8-pin & 4-pin connectors (Reference the McKINNEY Transfer Device Solutions Catalog for QC-12 Hinge and cable requirements)
- Easily installed within all 80 Series Exit Devices as either a retrofit kit or as a factory installed option
  - Order kit as 548-Kit (x rail length x finish). Example shown at right.
  - Order factory installed option as BT- (e.g. BT-8813F x ETL x 32D x 36" door)
  - Door Widths: Minimum Wide Stile Door 32" and Narrow Stile Door 32"
  - Compatibility options are detailed on p.56, not available with FM8700
  - Innovative design protected by U.S. Patent No. 7,528,700 & 7,839,265



Shown: BT-TL-80 Series Exit Device

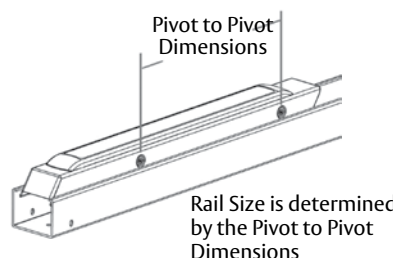
## 548 Beacon Insert Kit



To order a 548 Beacon Insert Kit: Specify the kit # x finish

Kit #	Device Stile	Pivot to Pivot	Rail Size
548-1	Wide	11-1/4"	F
548-2	Narrow	11-1/4"	F
548-3	Wide	20-1/2"	G
548-4	Narrow	20-1/2"	G
548-5	Wide	8-1/2"	E
548-6	Narrow	8-1/2"	E
548-7	Wide	14"	J
548-8	Narrow	14"	J

## Rail Sizes



## Pivot to Pivot Dimension

8-1/2" = "E" Rail
11-1/4" = "F" Rail
14" = "J" Rail
20-1/2" = "G" Rail

Copyright © 1998-2014, Sargent Manufacturing Company, an ASSA ABLOY Group company. All rights reserved. Reproduction in whole or in part without the express written permission of Sargent Manufacturing Company is prohibited.

90641-P/6/1/14

# SARGuide™ Options (PL- & TL-) & Latch Bolt Monitoring Option (53-)

80 Series

**SARGENT**  
**ASSA ABLOY**

## PL- Photoluminescent Option (non-electrified)

SARGuide® PL Exit Device – with photoluminescent coating – is a non electrical option which produces visible EXIT signage in darkness or low lit areas.

- Approved for use in New York City in accordance with RS 6-1 and RS 6-1A
- Recharges from ambient light
- No wiring or maintenance needed
- Available for all door widths
- Order as a PL- option

(e.g., PL-8713F x ETMA x 32D x 36" x 84")



LiteGuide™

As part of their promise to provide innovative solutions to their customers, ASSA ABLOY Group companies offer the LiteGuide™ system, a luminescent egress marking system. LiteGuide™ installation is facilitated by ASSA ABLOY's ElectroLynx® a universal quick-connect system that simplifies the electrification of the door.

LiteGuide™ is a trademark of ASSA ABLOY Inc.

## TL- SARGuide® Electroluminescent Option

The SARGuide® illuminated exit device increases visibility of exit locations in dark or smoke filled passages, supplementing existing codes for egress lighting. SARGuide® utilizes state-of-the-art FLATLITE electroluminescent lighting from E-Lite Technologies Inc.

- UL Listed for use on panic (UL 305) and fire-rated (UL10C) exit devices
- Available with all 80 Series Devices, except FM8700 Devices
- Provided with ElectroLynx® 4 Pin Connector
- Requires 24VDC Power Supply
- U.S. Patent No. 7,204,050
- Minimum Door Widths:
  - Wide Stile Door 26"
  - Narrow Stile Door 26"

- See McKINNEY's Transfer Device Solutions Catalog for QC Hinge and cable requirements
- Order as a TL- option (e.g., TL-8813 x ETL x 32D x 36" Door)

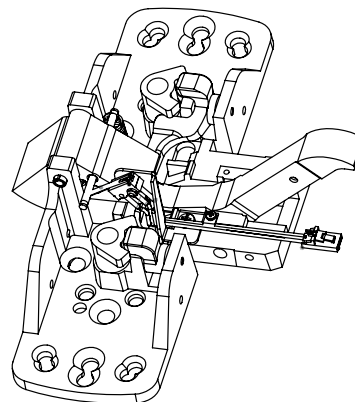
- See page 56 for compatible options



## 53- Latch Bolt Monitoring Option

The latch monitor provides tamper resistant latch monitoring, not just rail movement sensing. The monitor switch is activated when the rail is depressed or where there is movement of the latch.

- Switch type SPDT form "C" contacts
- 30 VDC@2 Amp. maximum rating
- All wires run through rail
- Field installation kits are not available
- Available for all door widths
- Adjustable switch bracket to fine tune sensitivity: set screw pivot bracket allows precise adjustment for more accurate notification of latchbolt movement (8500 and 8800 Series only).
- Available with all 80 Series Devices, except LP, LR, LS, PP-, PR- & SP8600, FM8700
- See page 56 for compatible options
- See McKINNEY's Transfer Device Solutions Catalog for QC Hinge and cable requirements
- Order as a 53- option (e.g., 53-8813F x ETJ x 32D x 36" Door)



# Alarm (AL-) Option Request-to-Exit (55-) Option

80 Series

**SARGENT®**  
**ASSA ABLOY**

## AL- Alarm Option

SARGENT's AL-80 Series Exit Devices are designed for areas requiring a stand-alone alarm on outward swinging doors. This device has an integrated alarm in the push rail to discourage the unauthorized use of emergency exit doors. The alarm inside the rail sounds immediately upon exit. The AL-80 Series is ideal for rear exterior doors, doors leading to a rooftop, or anywhere security is a concern.



### Features

- Microprocessor based alarm board
- When armed, alarm sounds immediately upon rail depression
- All exit devices have tamper resistant latching (Guarded Latch)
- Battery powered – 9VDC
- 103 Db @ 8 ft pulsating horn
- Flashing red LED provides visible violation indication, reset by key only
- Low battery alert
- Field selectable continuous alarm option-3267 Power Supply and 546 Harness recommended
- Automatic re-arming option
- Supplied with a #41 (1-1/8") with standard off set cam
- UL Listed and cUL Listed
- UL Listed to Canadian Safety Standards
- Rail Monitoring & Guarded Latch are standard internal features
- Available with all 80 Devices, except LP, LR, LS8600, FM8700, WS & HC8800 Devices
- Minimum Door Widths:  
- Wide Stile Door 36"  
- Narrow Stile Door 32"
- See page 58 for compatible options
- See McKINNEY's Transfer Device Solutions Catalog for QC Hinge and cable requirements (if hard wired)
- Order as an AL- option (e.g., AL-8916F x ETJ x 32D x 36" Door)

### 545 Alarm Retrofit Kits

Alarm retrofit kits available for the following 80 Series devices - 8300, MD8600, WD8600, GL-8800, and 8900 only. (GL-8800: Rim device with guarded latch)

Kit #	Device Style	Pivot to Pivot	Rail Size
545-1	Wide	11-1/4"	F
545-2	Narrow	11-1/4"	F
		8-1/2"	E
545-3	Wide	20-1/2"	G
545-4	Narrow	20-1/2"	G
545-6	Narrow	14"	J
545-7	Wide	14"	J

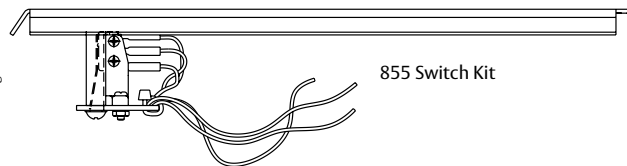
### 546 Wiring Harness

Harness allows for remote control of the alarmed exit device

- Remote Alarm Reset – reset from remote location
- External Inhibit – shunts alarm from remote location
- Remote Power – allows unit to be wired to a 9VDC power supply (3267)
- Remote Monitor – allows unit to be wired to remote console
- Order as:  
- 546 - Wiring Harness (For AL- option) - Mfg. prior to 7/1/04  
- 546-F - Wiring Harness for F-Size Rails - Mfg. after 7/1/04  
- 546-G - Wiring Harness for G-Size Rails - Mfg. after 7/1/04  
- 546-J - Wiring Harness for J-Size Rails - Mfg. after 7/1/04

## 55- Request-to-Exit Option

SARGENT Request-to-Exit Signal Switch Exit Devices provides push rail monitoring for a variety of applications; such as to sound an alarm, initialize a delayed egress system, or de-energize an electromagnetic lock.



855 Switch Kit

Switch type SPDT form "C" contacts

- 30 VDC@2 Amp. maximum rating
- All wires run through rail
- Available with all 80 & P800 Devices, except for FM8700
- See page 58 for compatible options
- Available for all door widths
- See McKINNEY's Transfer Device Solutions Catalog for QC Hinge and cable requirements
- Order as a 55- option (e.g., 55-8913F x ETMA x 32D x 36")

**Note:** If rail size is not standard, the 855 insert will have to be cut during installation

### Device Stile

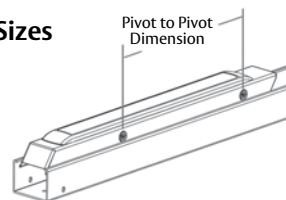


Narrow Stile



Wide Stile

### Rail Sizes



Rail Size is determined by the Pivot to Pivot Dimensions

### Pivot to Pivot Dimension

8-1/2" = "E" Rail
11-1/4" = "F" Rail
14" = "J" Rail
20-1/2" = "G" Rail

855 Kit #	Device Stile	Rail Size Pivot to Pivot	Rail Size
855-1	Wide	11-1/4"	F
855-2	Narrow	11-1/4"	F
		8-1/2"	E
855-3	Wide	20-1/2"	G
		*8895 8-1/2"	E
855-4	Narrow	20-1/2"	G
		*8895 11-1/4"	F
855-5	Wide	8-1/2"	E
855-6	Narrow	14"	J
855-7	Wide	14"	J
855-8		*8895 14"	J
		*8895 20-1/2"	G

\*8895 is an active dummy rail (See page 66)

**Note:** The 855 Kits can not be used with a pre-existing 56- Rail.

## Electric Latch Retraction Option (56-)

### 80 Series

SARGENT's Electric Latch Retraction exit device is the perfect choice for high traffic egress doors that require access control. This non-handed exit device rail is durable and easy to install. It utilizes a latch retraction motor rather than a solenoid, ensuring quiet operation ideal for locations such as conference rooms, theaters and libraries. Once retracted, the door functions in a push/pull manner.

The 56- exit device can be dogged for momentary ingress and egress and is commonly used in conjunction with an automatic door operator. The device can be dogged continuously on fire-rated devices that are tied into the building's fire detection system.



#### 56- Electric Latch Retraction Features

- 5 year warranty
- U.S. Patent No. 7,484,777; Additional patent(s) pending
- Field serviceable -modular design
- Motor driven latch retraction for smooth, precise operation
- Amount of rail retraction is automatically controlled by the 56- circuitry; System actively monitors its position and adjusts itself
- Digital retraction timer (0-20 seconds; factory setting is 5 seconds)
- Non-contact Request-to-Exit (55-) switch available
- Retrofit kits available - see next page
- Standard electric hinge - no special power transfer required
- Can be used for continuous and intermittent use
- UL Listed for Class II Circuitry
- Power Requirements: 24VDC regulated/filtered power supply (3500 Series)
- Current draw: 600mA during retraction & 250mA maintained in dogged position
- Available for all 80 Series exit devices (except FM8700)
- See page 58 for compatible options
- Minimum Door Widths:
  - Wide Stile Door 28"
  - Narrow Stile Door 28"
- See MCKINNEY's Transfer Device Solutions Catalog for QC Hinge and cable requirements
- Order as a 56- option (e.g., 56-HK-8913F x ETMF x 32D x 36")

**Note:** HK- and 16- are not available for Fire Rated Doors

**Note:** The 56- Option is not supplied with Manual Dogging (Hex Key or Cylinder Dogging) unless specified

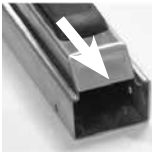

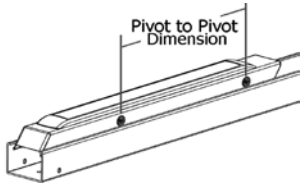
#### Optional Accessories

- 3500 Series Power Supply
- 4370 Keyswitch
- 4291/4292 Keypad
- 3287 Door Status Switch
- 881 Monitor Strike
- 4341 Push Button Switch (momentary)



## Electric Latch Retraction Retrofit Kits

### 80 Series

M56- Motor Retrofit Kits				
<p><b>The 56- Motor Retrofit Kits can only be added to 80 Series Exit Devices* manufactured after 2006 &amp; P Series Exit Device</b></p>		<p><b>Upgradeable Design</b></p>  <p>Exit Devices that are upgradeable have straight push rail nose &amp; tail; manufactured starting in 2007</p>	<p><b>Upgrade using R56 Kits only</b></p>  <p>Exit Devices with a stepped Nose &amp; Tail, produced prior to 2007, require the R56 Kits; the Push must be replaced</p>	<p><b>Rail Sizes</b></p>  <p>Rail Size is determined by the Pivot to Pivot Dimensions</p>
56- Push Retrofit Kit Number	Type of Device to be Upgraded	Kits Description: 56- Motor Kits		
M56A x Rail Size--	80 Series & P Series Exit Device*	Retrofits standard mechanical rail. Contains ribbon wiring.		8-1/2" = "E" Rail**
M56B x Rail Size	53-80 Series Exit Devices*	Retrofits 53- Exit Devices. Does not include 53- Signal Switch. Contains wiring to reconnect to the pre-existing 53- Chassis Signal Switch.		11-1/4" = "F" Rail**
				14" = "J" Rail
				20-1/2" = "G" Rail

\* Except FM8700 Series Exit Devices and Exit Devices with a stepped Nose & Tail, produced prior to 2007

\*\* Motor Retrofit Kits are identical for E and F size Rail Assemblies

- 55-M56 Kit: Request to Exit Signal Switch is integrated into the connecting arm within the rail
- 56- Motor Retrofit Kits can be used with 855 Request to Exit Kit or 816 Cylinder Dogging Kits
- Kits require a minimum insert length of 5" for 56- & 7" for 16-56- for the electronics
- Rail size is needed when ordering to supply the correct length wires

Option Available: 55- Non-Contact Request to Exit switch

How to Order: M56A (Kit #) x F (Rail Size)

Kit includes: Motor Bracket Assy, Motor Controller & Fasteners

R56- Retrofit Kits with Push Rail				
<p><b>The 56- Push Retrofit Kits can only be added to 80 Series* Exit Device manufactured after 1995</b></p>		<p><b>Upgradeable Design</b></p>  <p>Upgradable Exit Devices do not have Pivots in the Mtg Rails; manufactured starting in 1995</p>	<p><b>Mounting Rail Pivots</b></p>  <p>Devices with Mounting Rail Pivot Pins can Not be upgraded</p>	<p><b>Rail Sizes</b></p>  <p>Rail Size is determined by the Pivot to Pivot Dimensions</p>
56- Push Retrofit Kit Number	Type of Device to be Upgraded	Kit Descriptions: 56- Push Retrofit Kits		
R56A x Rail Size & Finish	80 Series Exit Device*	Retrofits standard mechanical rail. Contains ribbon wiring.		8-1/2" = "E" Rail
R56B x Rail Size & Finish	53-80 Series Exit Devices*	Retrofits 53- Exit Devices. Does not include 53- Signal Switch. Contains wiring to reconnect to the pre-existing 53- Chassis Signal Switch.		11-1/4" = "F" Rail
				14" = "J" Rail
				20-1/2" = "G" Rail

\* Except FM8700 Series Exit Devices and 80 Series Exit Devices produced prior to 1995

- Adding a R56 Kit to a 55- Rail, the 55- Switch will be eliminated.
- For 55-56- Rail Assemblies, use either a 55-R56 Kit or a R56 Kit with a 855 Kit
- R56A & R56B Kits can be used with 855 Request to Exit Kit or 816 Cylinder Dogging Kits
- Kits require a minimum insert length of 5" for 56- & 7" for 16-56- for the electronics

Options:

- 19- Push Rail less the Black Lexan Touch Pad
- 55- Non-Contact Request to Exit switch
- HK- Hex Key Dogging to allow for manual dogging of the device
- SG- is MicroShield an antimicrobial clear powder coat

How to Order: R56A (Kit #) x F (Rail Size) x 32D (Finish);

Kit includes: Motor Bracket & Push Rail Assy, Motor Controller & Fasteners



# Delayed Egress Option (57-) & Electro-Magnets

## 80 Series

**SARGENT®**

**ASSA ABLOY**

Commonly used in schools, nursing homes, shopping centers and libraries, delayed egress exit devices provide a means of monitoring egress to prevent unauthorized exit. When the exit device push pad is depressed, the 57-80 Series delayed egress exit device sounds an alarm from the rail to alert personnel that someone is attempting egress. The exit device stays secure, via electromagnetic lock, for fifteen seconds, allowing time for personnel to respond.

Momentary release for egress (adjustable for 5, 10, 20 or 40 seconds) is provided by a cylinder on the rail or from a remote location. When the fire alarm system is activated (if connected), the exit device disarms and allows immediate egress.

**Note:** As of February 2014, the 57- option has a new design. The updated 57- functionalities utilize new sensor technologies and is only available for order as a complete device. Component upgrades are not offered with prior generation products because wire harnesses are not backwards compatible. When replacing an existing device with an updated one, there is no change to door templating or mounting.



### Features

#### Compliance

- Conforms to NFPA 101 Special Locking Arrangements
- Available in UL Listed Panic and Fire Rated (12- option) devices
- UL294 Listed for Special Locking Arrangements
- When ordered with BC- option, complies with BOCA code relating to delayed egress. Requires door status switch (3287) ordered separately

#### Operation

- Depressing the push rail for one second or longer initiates an alarm
- LED visual notification system for easy identification of armed device; LED lights are field-selectable as red or green
- Momentary or maintained egress with key OR from a remote location
- Alarm disabled by key in the rail OR by remote reset
- Alarm sounds for fifteen seconds during unauthorized egress; after fifteen seconds external electromagnetic lock releases. 30 second delay available with written permission of Authority having Jurisdiction
- Field adjustable nuisance delay (0 or 1 second)
- Device requires electromagnet (ordered separately)
- External inhibit features with authorized egress, card reader access and scheduled delayed egress from access control panel

#### Specifications

- Standard size 41 mortise cylinder in rail
- Field adjustable momentary time delay preset for five seconds at factory
- 80dB horn enclosed in rail assembly
- Uses standard electric hinge - no special power transfer required
- Guarded & monitored latch and rail standard
- Power Requirements: 24VDC regulated/ filtered power supply
- Key override capabilities
- Current draw: .2 amp. nominal, .5 amp (max) with optional features (.275 amp maximum electromagnetic load)
- Minimum Door Widths:
  - Wide Stile Door 32"
  - Narrow Stile Door 32"
- Shipped with decal "Emergency Exit Only. Push until alarm sounds. Door can be opened in 15 seconds"
- See McKINNEY's Transfer Device Solutions Catalog for QC Hinge and cable requirements
- Available for all 80 Series devices, except LP, LR, LS8600 & FM8700 Devices
- Order as a 57- option (e.g., 57-8813F x ETJ x 32D x 36" Door)
- See page 58 for compatible options

#### Installation & Maintenance

- Diagnostic LEDs on PC board for easy troubleshooting

### Accessories for System Design

- 54-700 ET Control
- 881 Monitor Strike
- 1584 Electromagnet
- 3287 Door Status Switch
- 4371 LT Keypad
- 4291 or 4292 Keypad
- 3520, 3540, 3550, or 3570 Power Supply

# Delayed Egress Option (57-) & Electro-Magnets

## 80 Series

**SARGENT®**

**ASSA ABLOY**

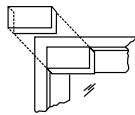
### 1580 Series Electromagnetic Locks: For 57- Exit Devices and Other Applications

- Hold door closed with 1200 lbs. of direct holding force
- Used for push or pull applications
- Stainless steel case
- Self aligning armature
- Hardened machine screws for mounting
- 10' integral cable for easy wiring
- Internal electronics
- .250 amp @ 12VDC, .125 amp @ 24VDC
- For use on exterior and interior openings
- Single and double door applications
- Accessories available for various frame conditions
- UL Listed, Auxiliary Lock and Releasing Device
- UL Recognized for Special Locking Arrangements
- Accepted for City of New York, Department of Buildings
- Temperature range: -40°F to +140°F (-40°C to +60°C)
- Fail safe operation
- Finishes: 28, 32D, EB, ED

#### 1584 - Push Application - Single Door



- Electromagnet for Push Side Applications on single doors
  - 1584 – Standard Finish 32D
  - Specify: H Suffix is for Metal Cover  
Specify Finish: 28, EB or ED
- Order as: 1584 or 1584H x Finish



#### 1585 - Push Application - Double Door



- Two electromagnetic locks with sensor
  - 1585 – Standard Finish 32D
  - Specify: J Suffix is for Dress Cover  
Specify Finish: 28, EB or ED
- Order as: 1585 or 1585J x Finish

#### 1586 - Pull Application - Single Door



- Electromagnetic lock mounted on inswinging side of the door to protect it from physical assault
  - Supplied "Z" bracket & cover
  - Specify Finish: 28, 32D, EB and ED
- 1586 - Electromagnetic for Pull Application on Single Door  
1587 - Electromagnetic for Pull Application on Double Door includes sensor
- Order as: 1586 x Finish or 1587 x Finish

### Accessories for 1580 Series Electromagnets

#### Header Extension Bracket for 1508 Series Electromagnets



- Dimensions: 3" x 3" x 8"
  - Used to extend a narrow header
  - Finishes Available: 28 or ED
- Order as: 15-2107 x Finish

#### Concrete/Wood Frame Bracket for 1580 Series Electromagnets



- Thickness: 1/2"
  - Allows mounting on concrete filled or wood door frames
  - Includes Fasteners
  - Available in 28 or ED finishes
- Order as: 15-2113 x Finish

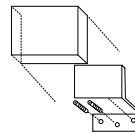
#### Stop Filler Plates for 1508 Series Electromagnets



- Dimensions: 8" x 1-1/4"
  - Extends the stop when only part of the magnet body is on the stop
  - Standard Finish: 28 finishes
  - Various thicknesses available
- Order as:  
15-2109 for 1/4" thickness  
15-2110 for 3/8" thickness  
15-2111 for 1/2" thickness  
15-2112 for 5/8" thickness

#### "Z" Bracket for 1580 Series Electromagnet 15-2114

- Allows mounting of electromagnetic lock on inswinging doors
  - "Z" Bracket includes cover & fasteners
  - Finishes Available ED, 28 & 32D
- Order as: 15-2114 x Finish



#### Full Length Housing for 1580 Series Electromagnets

- Available for double & single doors without vertical rod exit devices or mullion
- Standard Finish: 32D
- Specify door opening width
- 15-2116 - Housing Double Horizontal (96" Std)
- 15-2117 - Housing Double Vertical (96" Std)
- 15-2118 - Housing Single Horizontal LHR (48" Std)
- 15-2119 - Housing Single Horizontal RHR (48" Std)



#### Dress Covers

- Provides finished look to electromagnetic locks
  - Available in EN, EB, and 28 finishes
- Order as:  
• 15-0078 for single electromagnetic lock  
• 15-0079 for double electromagnetic lock

# Electric Dogging Option (58-)

## 80 Series

### 58- Electric Dogging

Libraries, auditoriums, theaters, courtrooms, churches and schools benefit from the convenience of electric dogging (unlocking). When the 58-80 Series exit device is energized and the push rail is depressed, it will continuously hold the push rail down and the latch(es) will be held retracted. When the device is de-energized or power is interrupted, the latch(es) will extend. This feature is ideal for areas that require the silent operation of exit device hardware.

### 58- Features

- Provides quiet ingress and egress when dogged
- Standard electric hinge - no special power transfer required
- Manual hex key dogging provided on non-fire rated devices
- UL Listed for Panic and Fire (12-)
- Holding force 70 lbs. min.
- Power Requirements: 24VDC regulated/filtered power supply (3500 Series)
- Current draw: .2 amp
- Available for all 80 Series Devices, except FM8700 Devices
- See page 58 for compatible options
- Available for all door widths
- See McKINNEY's Transfer Device Solutions Catalog for QC Hinge and cable requirements
- Order as a 58- option (e.g., 58-8813F x ETJ x 32D x 36" Door)

### Optional Accessories

- 4370 Key Switch
- 881 Monitor Strike
- 3287 Door Status Switch
- 3520, 3540, 3550, or 3570 Power Supply

# ElectroGuard Delayed Egress Option (59-)

## 80 Series

### 59- Self Contained Delayed Egress Device

Commonly used in schools, nursing homes, shopping centers and libraries, delayed egress exit devices provide a means of monitoring egress to prevent unauthorized exit. When the exit device push pad is depressed, the 59-80 Series delayed egress exit device sounds an alarm from the rail to alert personnel that someone is attempting egress. The exit device stays secure for fifteen seconds, allowing time for personnel to respond.

Momentary release for egress (adjustable for 5, 10, 20 or 40 seconds) is provided by a cylinder on the rail or from a remote location. When the fire alarm system is activated (if connected), the exit device disarms and allows immediate egress.

**Note:** As of February 2014, the 59- option has a new design. The updated 59- functionalities utilize new sensor technologies and is only available for order as a complete device. Component upgrades are not offered with prior generation products because wire harnesses are not backwards compatible. When replacing an existing device with an updated one, there is no change to door templating or mounting.

### 59- Features

#### Compliance

- Conforms to NFPA 101 Special Locking Arrangements
- Available in UL Listed Panic and Fire Rated (12- option) devices
- UL294 Listed for Special Locking Arrangements
- When ordered with BC- option, complies with BOCA code relating to delayed egress. Requires door status switch (3287) ordered separately

#### Operation

- Depressing the push rail for one second or longer initiates an alarm
- LED visual notification system for easy identification of armed device; LED lights are field-selectable as red or green
- Momentary or maintained egress with key OR from a remote location
- Alarm disabled by key in the rail OR by remote reset
- Alarm sounds for fifteen seconds during unauthorized egress; after fifteen seconds lock releases. 30 second delay available with written permission of Authority having Jurisdiction
- Field adjustable nuisance delay (0 or 1 second)
- External inhibit features with authorized egress, card reader access and scheduled delayed egress from access control panel

#### Specifications

- Standard size 41 mortise cylinder in rail
- Field adjustable momentary time delay preset for five seconds at factory
- 80dB horn enclosed in rail assembly
- Uses standard electric hinge - no special power transfer required
- Guarded & monitored latch and rail standard
- Power Requirements: 24VDC regulated/filtered power supply
- Key override capabilities
- Current draw: .2 amp. nominal, .5 amp (max) with optional features
- Minimum Door Widths:
  - Wide Stile Door 32"
  - Narrow Stile Door 32"
- Ability to gang up to 12 doors
- Shipped with decal "Emergency Exit Only. Push until alarm sounds. Door can be opened in 15 seconds"
- See MCKINNEY's Transfer Device Solutions Catalog for QC Hinge and cable requirements
- Available for all 80 Series devices, except LP, LR, LS, SP8600, & FM, ND8700 & and MS, HC800 Devices
- Order as a 59- option (e.g., 59-8813F x ETJ x 32D x 36" Door)
- See page 58 for compatible options

#### Installation & Maintenance

- Diagnostic LEDs on PC board for easy troubleshooting



# Electrified & Monitored ET Trims & Power Supplies

80 Series

**SARGENT®**

**ASSA ABLOY**

## Electro-Mechanical ET Lever Handle Controls

Solenoid controlled ET trim provides remote means of locking and unlocking of the lever. This trim is available with 12VDC or 24VDC solenoid. Rim and Mortise Exit Devices are available with cylinder override. Cylinder override can be added to the other series with the use of a 100 or 300 Series Auxiliary Control, except NB8700 devices.

### 73 & 74 Function ET Trim



- Available for all 80 Series Exit Devices
- Requires a McKINNEY QC8 Hinge for Solenoid ET Trims and/or 54- option
- Voltage: 12VDC or 24VDC Regulated (voltage must be specified)
- Current: .25A at 24VDC or .5A at 12VDC
- Operating Temp.: Max. 151°F (66°C) Min -31°F (-35°C).

- Full wave rectification installed inside the ET Control
- UL and cUL listed for use on fire doors
- Field reversible
- Solenoid Trim is specified by the product function
- 73 Function - Fail Safe - Lever is unlocked when power is off - no cylinder override
- 74 Function - Fail Secure - Lever is locked when power is off - no cylinder override
- Cylinder override available with the use of 100 or 300 Series Auxiliary Control, except NB8700 devices

**Note:** Repeated operation at voltage exceeding +/- 10% is not recommended.

### 75 & 76 Function ET Trim



- Available for Rim and Mortise Lock Exit Devices
- Requires a McKINNEY QC8 Hinge for Solenoid ET Trims and/or 54- option
- Voltage: 12VDC or 24VDC Regulated (voltage must be specified)
- Current: .25A at 24VDC or .5A at 12VDC.
- Operating Temp.: Max. 151°F (66°C), Min -31°F (-35°C)

- Full wave rectification installed inside the ET Control
- UL and cUL listed for use on fire doors
- Field reversible
- Solenoid Trim is specified by the product function
- 75 Function - Fail Safe - Lever is unlocked when power is off with cylinder override
- 76 Function - Fail Secure - Lever is locked when power is off with cylinder override
- Key retracts latch mechanically

**Note:** Repeated operation at voltage exceeding +/- 10% is not recommended

### 54- Option- Lever Monitoring



- Available with all 80 Series exit devices x ET trim with these functions 06, 13, 15, 16, 73, 74, 75 & 76
- Requires a McKINNEY QC8 Hinge for 54- and/or Solenoid ET Trims
- Switch type SPDT form "C" contacts
- 30VDC @ 2 Amp. maximum rating

- Monitors lever rotation, can be incorporated into alarm systems or in conjunction with an electromagnet
- Must specify hand, non-reversible
- Not available with Freewheeling Trim

### Securitron PowerJump™ ICPT



The Securitron PowerJump ICPT Inductive Coupling Power Transfer delivers power contactlessly and invisibly between the frame and door to power electrified hardware on the door. The PowerJump can be installed at the latch side or hinge side of the door and transfers up to 6 watts of power without pins or wires across the door gap, eliminating points of vulnerability and wear ... and no need to

core drill the door. The PowerJump is field selectable for 12VDC or 24VDC systems and is ideal for fail secure applications. The unit can hold electrified latches open in continuous duty or can momentarily energize the lockset for latch retraction. Additional information regarding this product can be found at [www.securitron.com](http://www.securitron.com)

### 12VDC & 24VDC Power Supplies:

- UL Class 2 Listed
- Four 12V models and four 24V models available
- Integral battery charging capability keeps sealed lead acid gel/cell at full charge in case of line voltage failure (737-battery sold separately)
- Fused line voltage input with one, four, or eight DC outputs (depending on model)
- Each circuit can be individually turned on and off via a slide switch; the power status of each is shown by an LED.
- In the event of a DC short the problem is confined to the zone of difficulty
- Fire alarm interface standard



SARGENT MODEL No.	DESCRIPTION
3521	12V - 1 AMP POWER SUPPLY
3541	12V - 3 AMP POWER SUPPLY
3551	12V - 4.5 AMP POWER SUPPLY
3571	12V - 6 AMP POWER SUPPLY
737	12V - 5 AMP HOUR BACKUP BATTERY

SARGENT MODEL No.	DESCRIPTION
3520	24V - 1 AMP POWER SUPPLY
3540	24V - 2 AMP POWER SUPPLY
3550	24V - 4 AMP POWER SUPPLY
3570	24V - 6 AMP POWER SUPPLY
738	24V - 5 AMP HOUR BACKUP BATTERY

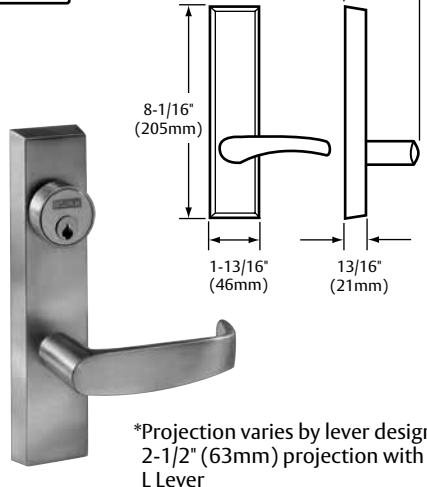
# ET Trim, Levers and Pulls

80 Series

# SARGENT®

# ASSA ABLOY

## ET Lever Controls

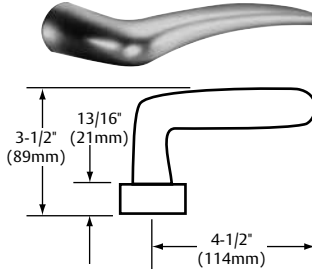


\*Projection varies by lever design.  
2-1/2" (63mm) projection with L Lever

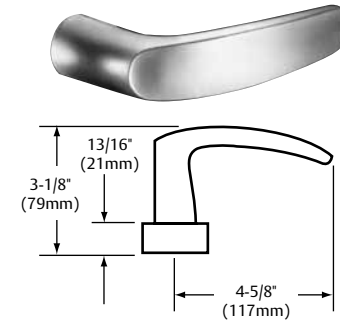
**Note:** ET suffixes required when ordering ET trim without an exit device, see page 72 for complete details

## A Lever

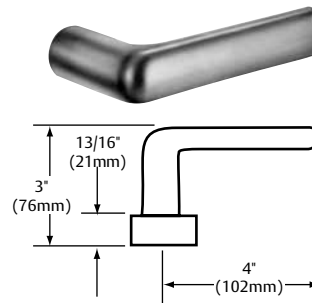
- Handed



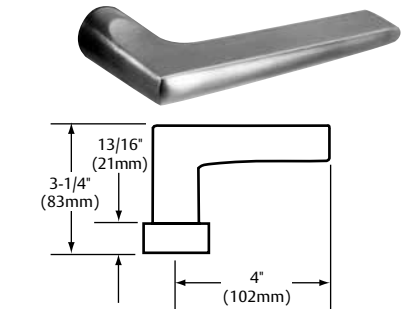
## B Lever



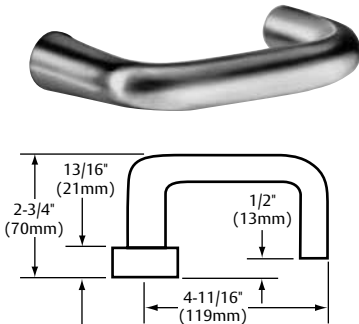
## E Lever



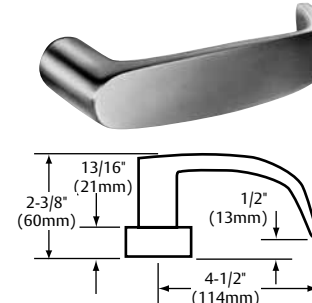
## F Lever



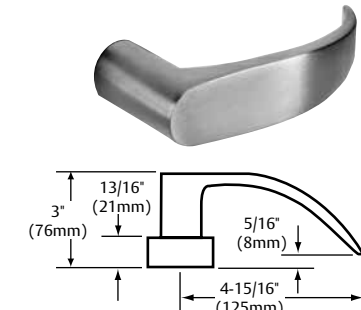
## J Lever\*



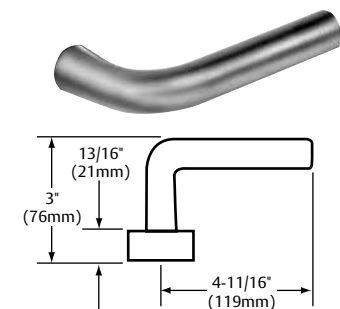
## L Lever\*



## P Lever\*

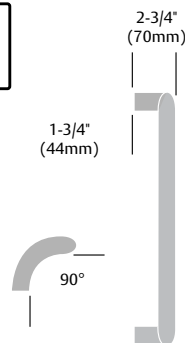


## W Lever



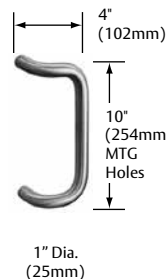
\* Lever returns within 1/2" (13mm) of door face

## Pulls



SIDE PROFILE

862



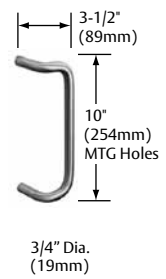
1" Dia. (25mm)

863



1" Dia. (25mm)

864



3/4" Dia. (19mm)

Copyright © 1998-2014, Sargent Manufacturing Company, an ASSA ABLOY Group company. All rights reserved. Reproduction in whole or in part without the express written permission of Sargent Manufacturing Company is prohibited.

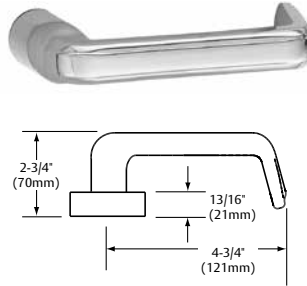
90641-P/6/1/14

# Coastal Series Levers & Thumb Piece Pulls

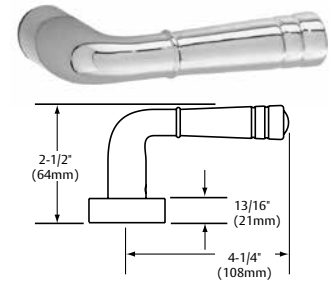
## 80 Series

- Coastal Series™ levers can be used with all SARGENT 80 Series exit devices with ET trim
- All levers – solid cast brass
- All standard functions available
- Finishes available: 03, 04, 09, 10, 10B, 10BE, 10BL, 14, 15, 20D, 26, 26D
- \* Lever returns within 1/2" (13mm) of door face

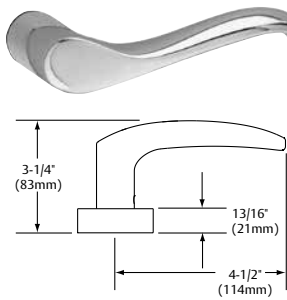
### C\* - Coronado™



### R - Rockport™

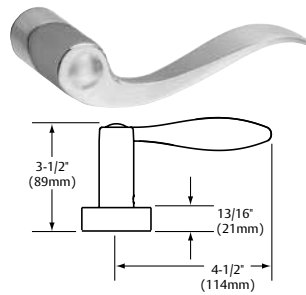


### Y - Yarmouth™



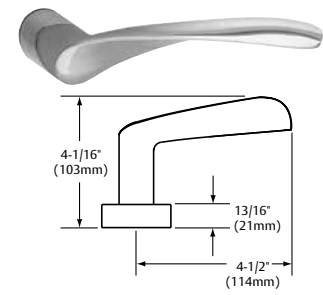
- Specify hand when ordering

### G - Gulfport™



- Specify hand when ordering

### S - Sanibel™

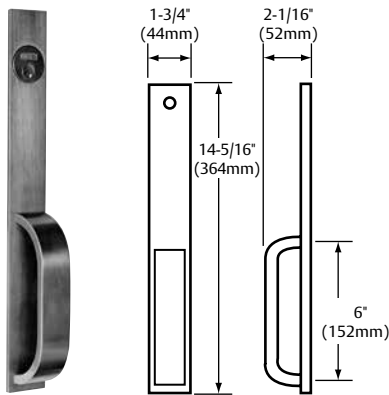


- Specify hand when ordering

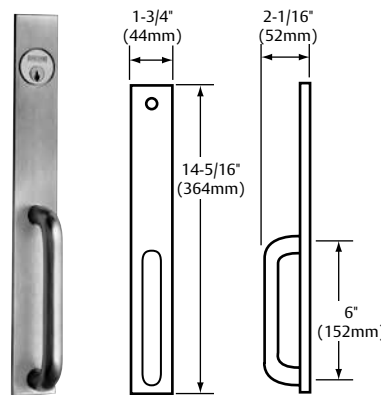
## Pulls and Thumb Pieces Trims

These trims are through-bolted, creating perfect alignment of center case, thumb piece and cylinder, as required. Through-bolts pass through the chassis of the devices and are bolted directly to the trim. FSL, FSW, MSL and PSB pulls are used with 12- 8804 and 8804 only, they are identical to FLL, FLW, MAL and PTB pulls except the cylinder hole is located 3/8" (9mm) lower. The 802-PTB plate is a flat plate which can be used to cover existing door preps and is as ANSI/BHMA function 01.

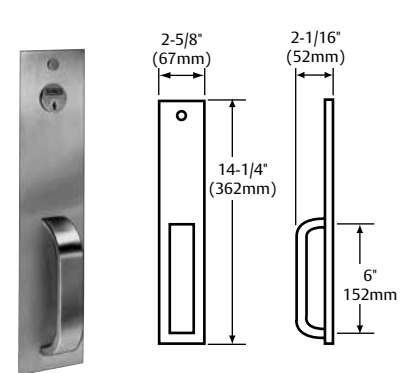
### FLL/FSL



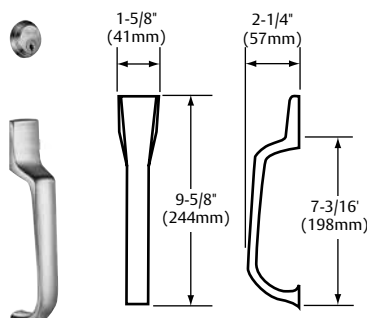
### FLW/FSW



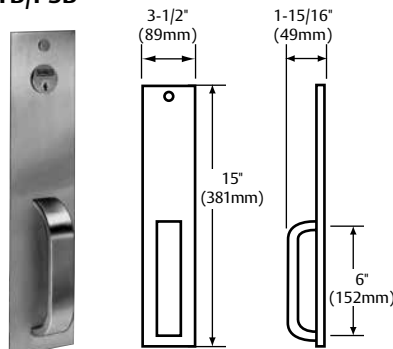
### MAL/MSL



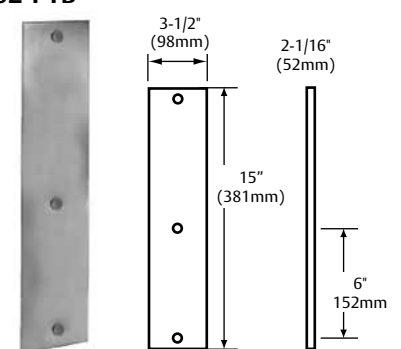
### STS



### PTB/PSB



### 802-PTB



# Studio Collection Levers

80 Series

**SARGENT®**

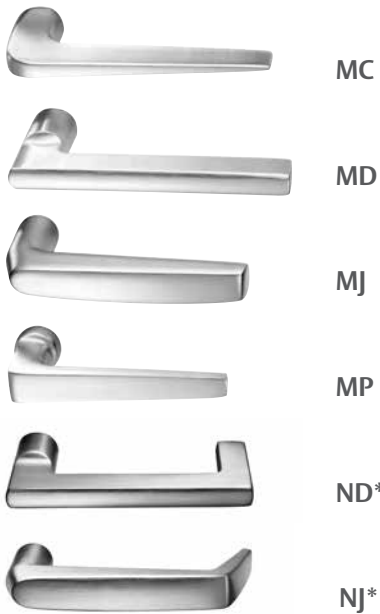
**ASSA ABLOY**

## Studio collection

### Features

- Studio Collection levers can be used with all SARGENT 80 Series exit devices with ET trim
- All levers - solid brass or stainless steel
- Available with all lever functions
- Lever finishes available: 03, 04, 09, 10, 10B, 10BE, 10BL, 14, 15, 20D, 26, 26D, 32 & 32D
- Always specify hand

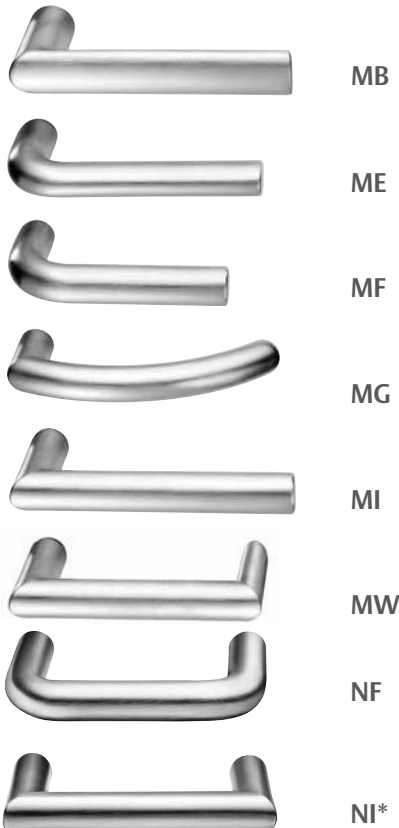
### Centro Series



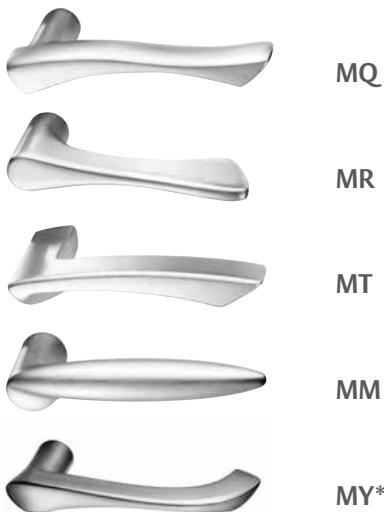
### Rialto Series



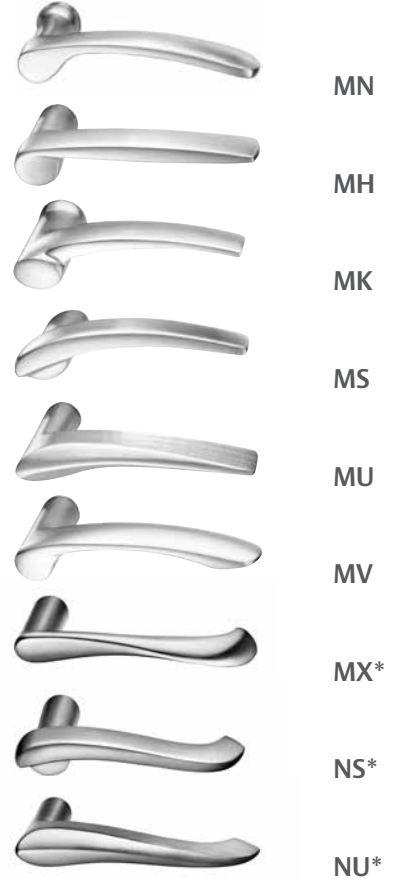
### Aventura Series



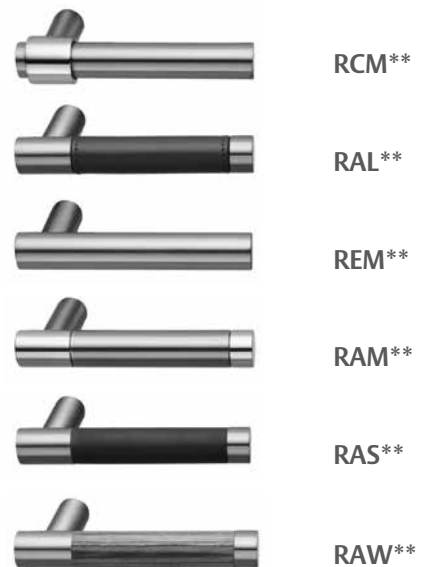
### Notting Hill Series



### Odéon Series



### Gramercy Series



\* Lever returns within 1/2" (13mm) of door face

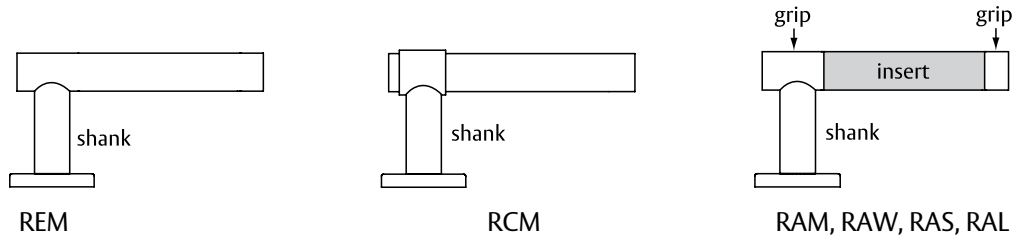
\*\* The Gramercy Levers are customized. Refer to page 65 on how to order

Copyright © 1998-2014, Sargent Manufacturing Company, an ASSA ABLOY Group company. All rights reserved. Reproduction in whole or in part without the express written permission of Sargent Manufacturing Company is prohibited.

90641-P/6/1/14



### Elements of Gramercy Series Levers



Lever	Part Number	Shank Finish*	Insert	Grip Finish
Plain†	REM	Polish Stainless (629) or Satin Stainless (630)	n/a	Polish Stainless (629) or Satin Stainless (630)
With Raised Band	RCM	Polished Stainless (629)	n/a	Polish Stainless (629) or Satin Stainless (630)
With Metallic Insert	RAM	Polished Stainless (629)	Satin Stainless (630)	Polished Stainless (629)
With Wood Insert†	RAW	Polished Stainless (629) or Satin Stainless (630)	Birch (BH)	Polish Stainless (629) or Satin Stainless (630)
With Santoprenne Insert†	RAS	Polished Stainless (629) or Satin Stainless (630)	Black (BK)	Polish Stainless (629) or Satin Stainless (630)
With Leather Insert†	RAL	Polished Stainless (629) or Satin Stainless (630)	Black (BK) or Brown (BN)	Polish Stainless (629) or Satin Stainless (630)

\* Rose and escutcheon finish is designated by shank finish selected

† Grip finish must match shank finish

To order Gramercy Series levers with 80 Series products, see the example below. When specifying finish, use the last two digits of the BHMA standard finish code, i.e. use "29" for polished stainless, BHMA finish 629.

### Sample order on how to specify an Exit Device with Gramercy levers

						Gramercy Lever information								
Options	Series	Function	Rail Size	Voltage	Trim	Lever	Shank Finish*	Insert Finish	Grip Finish	Hand	Inside Finish	Door Width	Opening Height	AFF
Select from 80 Series catalog				Specified for electrical functions	Select from 80 Series catalog	Leather insert	Polished or satin stainless	Black or brown	Polished or satin stainless	RHR, RH, LHR, or LH	Select from 80 Series catalog		For vertical rod devices	Above Finished Floor
10-	87	73	F	12VDC	F	RAL	29	BN	29	RH	32D	36"	84"	41"

\* Escutcheon finish is designated by shank finish selected

Copyright © 1998-2014, Sargent Manufacturing Company, an ASSA ABLOY Group company. All rights reserved. Reproduction in whole or in part without the express written permission of Sargent Manufacturing Company is prohibited.

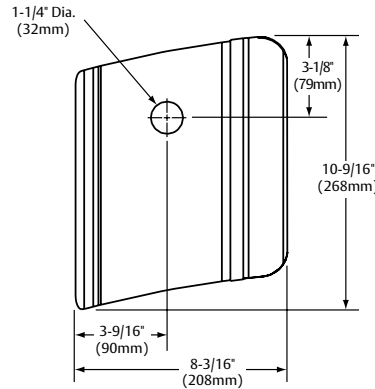
# Anti-Vandal Trim, 988 Surface Bolt, ET Plates & Dummy Rails

80 Series

**SARGENT®**

**ASSA ABLOY**

## Anti-Vandal Trim



Designed for exterior doors that require extra security or resistance to vandalism, anti-vandal trim (AVT) plates have an extended lip on the active side of the door to provide extra protection for the latchbolt. A matte plastic coated grip provides a comfortable pull over wide temperature ranges. Fully through-bolted with no exposed exterior fasteners for a cleaner look and increased security.

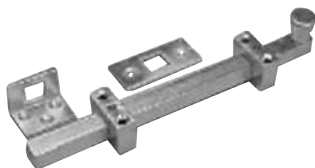
## Features

- Heavy duty 12 gauge stainless steel in 32D finish
- Through-bolted for added strength
- Handed – Specify RHR or LHR
- ADA Compliant
- #34 Rim Cylinder supplied for 8804
- #41 Mortise Cylinder supplied for 8904
- Night Latch and Dummy Functions available
- Available for MD & WD8610, 8710, 8804, 8810, 8904 & 8910 Devices
- Options not available with AV trim: 1-, 31, 49, 50, 68, 69, 76, 77, 85, 86, 87, DX & SG
- Without protective lip for inactive door
- AVT Retrofit Kit works easily with existing product with minor prep modification
- Order by part number (826, 824, 821 or 827) as determined by product & function below

Part Number	Description	Application
826	Cylinder, but No Protective Lip	8804 Mfg after 02-2001
824	Protective Lip & Cylinder	8904; also 8804 Mfg before 02-2001
821	No Protective Lip & No Cylinder	MD & WD8610, 8710 and 8810
827	Protective Lip & No Cylinder	8910

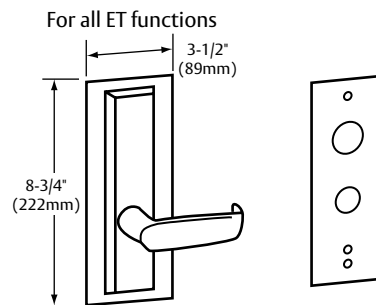
821 for use on all inactive leaves

## 988 Surface Bolt Kit



- Designed for severe windload (Hurricane Code) environments where surface bolts are required (e.g., on inactive doors)
- Tested to Dade County protocols
- Listed to UL 10C for use on fire rated door assemblies. Refer to codes for locations where surface bolts are allowed on fire doors
- All steel construction for maximum strength and heavy duty use
  - Full 3/4" (19mm) square, 12" (305mm) bolt with 1-1/4" (32mm) throw
  - Bright zinc-plated finish
  - Jimmy-resistant design locks bolt automatically when thrown; released by pressing knob toward door while retracting
  - Bolt can be locked in retracted or thrown position
- Angle (L shaped) and mortise strike with mounting hardware supplied standard
- Order as a: 988 Surface Bolt

## ET Cover Plate



This plate is designed to be mounted behind the ET control to cover a stock hollow metal cutout

- Order as a: 68-0657 x finish

## 809 Touchpad Kit

- Lexan touchpad replacement kit for all 80 Series push rails
- Direct replacement – uses existing mounting holes
- Order as a: 809 Touch Pad

## 8893 Dummy Rail



A decorative push bar for vestibule door applications where continuity of design is desired, but no exit device is required. Outside dummy trim available on order.

- Order as a: 8893 x finish; Specify door width and door stile width when ordering.

## 8895 Active Dummy Rail



Push rail operates on this rail to simulate active doors. Can be used with dummy trim.

- Order as a: 8885 x Finish; specify door width and door stile width when ordering.
- Available with Request-to-Exit (REX) signaling switch; specify 55-8895 x Finish

Copyright © 1998-2014, Sargent Manufacturing Company, an ASSA ABLOY Group company. All rights reserved. Reproduction in whole or in part without the express written permission of Sargent Manufacturing Company is prohibited.

90641P06/1/14

## Cylinder Information for Exit Devices

Cylinder Chart: Exit Device Series x Function		ET Trim (700 Series Auxiliary Control)		PTB, PSB, STS, MAL, MSL, FLL, FSL, FLW, FSW	
		Door Thickness	1-3/4" (44mm)	2-1/4" (57mm)	1-3/4" (44mm)
Narrow Stile Mortise Exit Device	8304	46	48	41	43
	8313/8343	41	41	Not Available	
	8344	46	48	Not Available	
	8363	Not Available		41	43
	8375/8376	46	48	Not Available	
Narrow Stile CVR Exit Device	All 8400	41	41	Not Available	
Narrow Stile Rim Exit	8504	34	34	Not Available	
	8513/8543	41	41	Not Available	
Concealed Vertical Rod Exit Devices	All LP/LR/LS8600	41	Not Available		
	All SP/PP/PR8600	41	Not Available		
	All AD, MD & WD8600	41	41	Not Available	
Surface Vertical Rod Exit Devices	8706/8713/8743/8746	41	41	Not Available	
	8762/8763	Not Available		34	34
	All SP/PP/PR8700	41	N/A	Not Available	
Rim Exit Devices	8804	34	34	34	34
	8806/8813/8843/8846	41	41	Not Available	
	8816	34/*44	34/*44	Not Available	
	8844	34	34	Not Available	
	8863	Not Available		34	34
	8866	Not Available		34/*44	34/*44
	8875/8876/8877	34	34	Not Available	
	8904	46	48	41	43
Mortise Lock Exit Devices	8913/8943	41	41	Not Available	
	8916	*34/46	*34/48	Not Available	
	8944	46	48	Not Available	
	8963	Not Available		41	43
	8966	Not Available		*41/34	*43/34
	8975/8976	46	48	Not Available	

\* Inside Cylinders

Chart shows cylinder type and size for conventional SARGENT cylinders.

**Note:** Cylinder sizes & types are limited, as noted: SC- & SE- cylinders are available in size 41

60-, 63- & 64- cylinders are available in sizes 42, 43, 44 & 46

70-, 11-70-, 72-, 11-72-, 73- & 11-73 cylinders are available in sizes 43 & 46

**Note:** The 8888's Lever & Rose Trim cylinder standard is the standard SARGENT 10 Line cylinder (13-3266).

**Note:** 41 Cylinder is 1-1/8" in length; For each additional digit, the cylinder is a 1/8" longer. Example: 42 is 1-1/4"; 43 is 1-3/8" and 46 is 1-3/4".

**Note:** SARGENT supplies standard blocking rings. Specify if using competitor cylinders.

### Mullions: Aluminum, Steel & Electrified

#### 80 Series

### Aluminum Mullions

Product Designation	650A	980	L980
Description	Removable	Removable	Lockable
Material	Aluminum	Aluminum	Aluminum
Standard Finish	US28/Satin Anodized Aluminum	Prime Coat	Aluminum Prime Coat
Options	Specify "650A x 10B" for 313AN to match 10B	Specify "980A" for Anodized US28/ Satin Aluminum	Specify: "L980A" Anodized Aluminum Specify: "L980A x 10B" for 313AN to match 10B
Stk Size	96"	96"	96"
Max Stk Height	120"	120"	120"
Pre-prepped	658 Strikes Included	No	No
Cylinder Size	Not Required	Not Required	#41
Shape	1-1/2" x 2-1/2"	T Shaped 2-1/2" x 3"	T Shaped 2-1/2" x 3"
Misc. Information and Accessories	Includes 651 Stabilizers and imbedded Weather Stripping Top Retainer 94-2050 Bottom Retainer 94-2051	Top Retainer - 511 Bottom Retainer - 502 Adapter for narrow transom: 507 - Aluminum Prime Coated 507A - Anodized Aluminum	All Cylinder Options Available Wall Mount Kit 98-2578 Top Ret Pack 98-2526 Bottom Ret Pack 98-2525 Cylinder Kit 980C1*

### Electrified

EL980
Electrical Lockable
Steel
Gray Paint
Wall Mounting Kit: 98-2580 Top Ret Pack :98-2559
96"
120"
No
#46 Only
Rectangular 2" x 3"
For use with Electric Strikes and Monitoring, Quick Connect Wiring Supplied Cylinder Kit 980C2*

\*Note: Cylinder Kits must be ordered separately

### Steel Mullions

Product Designations	HC980	980S	L980S	HCL980	12-HC980
Description	Hurricane Code	Standard Mullion	Lockable	Lockable Hurricane Code	Heavy Duty
Material	Steel	Steel	Steel	Steel	Steel
Fire Rated	Specify 12-HC980	Specify 12-980	Specify 12-L980	Specify 12-HCL980	Specify 12-HC980
Fire Rated Max Height	96"	96"	96"	96"	120"
Finish	Gray Paint	Gray Paint	Gray Paint	Gray Paint	Gray Paint
Stk Size	96"	96"	96"	96"	120"
Max Stk Height	96"	120"	120"	96"	120'
Pre-prepped	No	No	No	No	No
Cylinder Size	Not Required	Not Required	#41 Std (#42 & #43 available)	#41 Std (#42 & #43 available)	Not Required
Shape	Rectangular 2' x 3"	Rectangular 2" x 3"	Rectangular 2" x 3"	Rectangular 2" x 3"	Rectangular 2" x 3"
Misc. Information	Designed for severe wind load conditions due to hurricanes or windstorms. Tested to Dade County Protocols & ASTM Standards	For 12-8800 - Channel Iron & Malleable iron top & bottom retainers.	Fire rated for 8'0" x 8'0" paired openings	See Notes Below	12-HD980 is for pair of doors over 8'0" to 10'0" for use with 12-8800 Rim Exits includes two piece strikes
Accessories	Top Ret Pack - 98-2599 Bottom Ret Pack - 98-2600 Top Retainer Shim Kit - 601	Top Ret Pack - 98-2190 Bottom Ret Pack - 98-2191 Top Retainer Shim Kit - 601	Wall Mounting Kit - 98-2579 Top Ret Pack - 98-2559 Bottom Ret Pack - 98-2556 Top Retainer Shim Kit - 601 Cylinder Kit - 980C1*	- Top Retainer Pack: 98-2593 - Bottom Retainer Pack: 98-2594 - Top Retainer Shim Kit - 601 Cylinder Kit - 980C1*	Top Ret Pack - 98-2599 Bottom Ret Pack - 98-2600 Top Retainer Shim Kit - 601

\*Note: Cylinder Kits must be ordered separately

#### Note for HC980/12-HC980 Mullions:

- Designed for severe wind load conditions due to hurricanes or tornadoes
- Tested to Dade County protocols and ANSI 250.13 ASTM Standards and FEMA 361
- 12- Fire labeled version
- Replacement lock kits are available for lockable mullions. Part numbers for each model are listed in the price book.

#### HCL980 Mullion Information

- Model 12-HC-L980 may be supplied for doors UL fire rated up to and including 3 hrs not exceeding 8 ft in width and height
- Meets the following standards: ANSI 250.13, ASTM E330, ASTM 1886, ASTM 1996, TAS 201, TAS 202 & TAS 203.
- Designed for use with UL Classified HC8810, HC8800 and 12-HC8800 rim exit devices.

## Mullion Accessories and Stabilizers

### 80 Series

#### Mullion Accessories

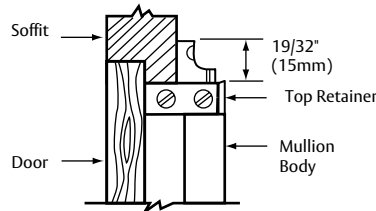
##### RK980

Latchbolt assembly retrofit kit with top and bottom retainers for 980 aluminum mullion



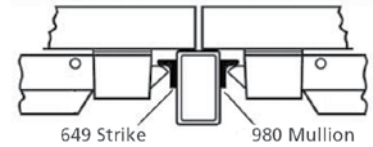
#### 507 Narrow Transom Bars Adapter

- Available with 980 and 980A
- Required when soffit is 1-1/4" (32mm) to 2" (51mm) wide
- Order as a: 507 for 980 mullion or 507A for 980A mullion

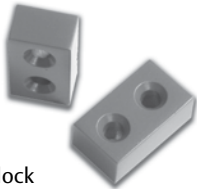


#### 980S Mullion Application

- All steel mullions are 2" x 3"

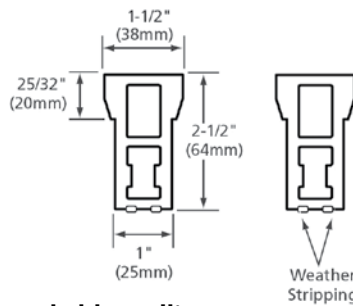


#### 651 Mullion Stabilizer Kit

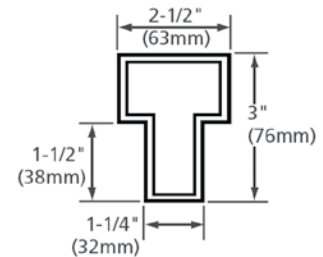


- Stabilizer block
- Furnished standard w/650A Mullion
- Order as a 651 Kit

#### 650A Mullion



#### 980 Mullion & L980 Lockable Mullion

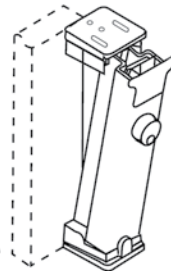


#### 980C1 Cylinder Mullion Kit



- Lockable mullions only
- Aluminum and steel
- Includes cylinder and collar

#### Lockable Mullion



#### Lockable Mullion Cylinder Kit Options\*

L980, L980A, L980S & HC-L980 mullions are available with these options: 10, 10-21-, 10-UL-, 10-63-, 11-, 11-21-, 11-60, 11-63-, 11-64-, 11-72-7P-, 11-65-73-7P-, 11-73-7P-, 21-, 22-, 60-, 63-, 64-, 70, 72-, 73-, 65-73-, 65-73-7P-, 73-7P-, 81-, 82-, F1-82-, 83-, F1-83-, 84-, SC- & SE-.

#### EL980 mullion is available with these options:

10, 10-21-, 10-UL-, 10-63-, 11-, 11-21-, 11-60, 11-63-, 11-64-, 11-72-7P-, 11-65-73-7P-, 11-73-7P-, 21-, 22-, 60-, 63-, 64-, 70, 72-, 73-, 65-73-, 65-73-7P-, 73-7P-, 81-, 82- & F1-82-.

\*Lockable mullions are shipped without cylinders. Order Cylinder Mullion Kit separately.

#### 980C2 Cylinder Mullion Kit



- Lockable mullions
- Electrified only
- Includes cylinder and collar

#### Mullion Weights & Packaging

Product	Avg Wt	Case
Exit Device with Trim	15 lbs	1 ea
980 Mullion	18 lbs	1 ea
12-980 Mullion	40 lbs	1 ea
650A Mullion	18 lbs	1 ea

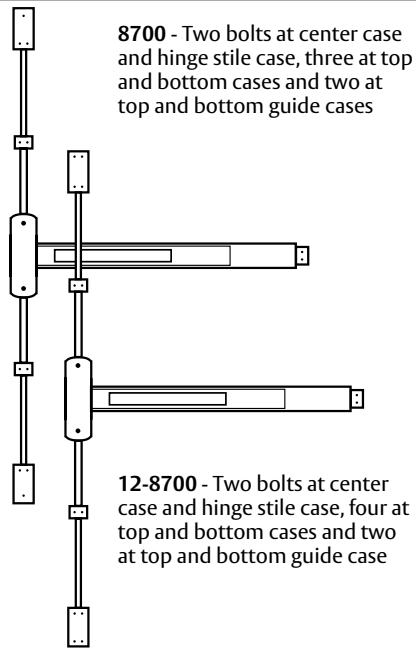
# Through-bolt Kits, Rod Extensions and Shim Kits

80 Series

**SARGENT®**

**ASSA ABLOY**

## Through-bolt (TB) Applications



**8700** - Two bolts at center case and hinge stile case, three at top and bottom cases and two at top and bottom guide cases

**12-8700** - Two bolts at center case and hinge stile case, four at top and bottom cases and two at top and bottom guide case

### Through-bolts Qty Part #

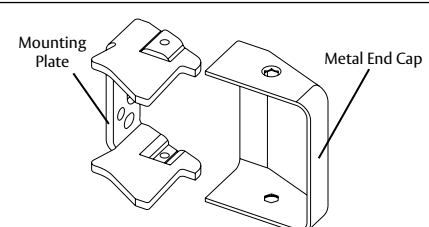
Product	Qty	Part #
8700 Rail & Chassis	4	68-2279
8700 Cases & Guides	10	68-2282
12-8700 Complete	16	68-2288
8800 Rail & Chassis	4	68-2279

To order through-bolts with device:

Example: 8804 FLL x TB

**Note: Attaching Screws** – All series are furnished standard with wood screws for wood and Kalamein doors and machine screws for metal doors. Through-bolts and mortise nuts must be specified to mount fire exit devices on composite fire doors with steel, wood or plastic covering.

## 565 Metal End Cap Kit

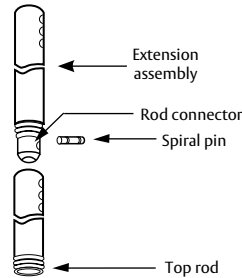


End cap with hardware finish includes mounting plate with wood and machine screws

Order as a 565 Kit x Finish

## Rod Extension Kits

- For surface mounted top rod extensions
- 570 Kit is for a Rod Connector & spiral pin
- 571 Kits includes top rod extension & 570 kit for device mfg prior to November 2002



- Specify Kits and finish:
- 571-6 for 6" Rod Extension
- 571-12 for 12" Rod Extension
- 571-18 for 18" Rod Extension

- 687 Kits include Rod Extension for devices mfg after November 2002

- Specify Kits and finish:
- 687-6 for 6" Rod Extension
- 687-12 for 12" Rod Extension

**Note:** For extensions over 12" full rod lengths are available, see Rod Replacement Kits Below

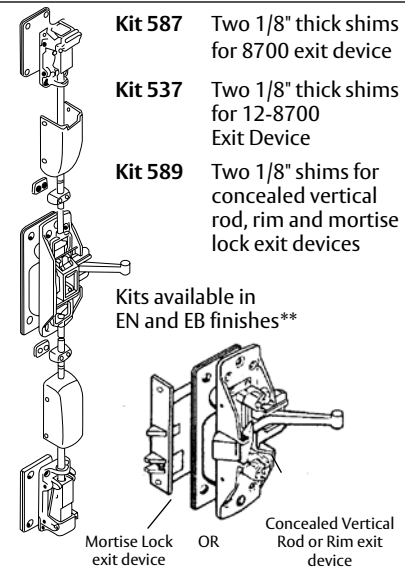
## Rod & Bolt Replacement Kits

Product	Top Rod & Bolt Kit *	Bottom Rod & Bolt Kit **
8700	N/A	N/A
MD & AD8600	MD691T	691B
WD8600	WD691T	691B
WD8600 x Aux	WDA691T	691B
MD & AD8400	MD691T	691B
PP/PR/SP8600	692P	N/A
LP/LR/LS8600	692L	N/A

\* Door Height & Rail Location Required

\*\* Rail Location Required

## Glass Bead Shim Kits



**Kit 587** Two 1/8" thick shims for 8700 exit device

**Kit 537** Two 1/8" thick shims for 12-8700 Exit Device

**Kit 589** Two 1/8" shims for concealed vertical rod, rim and mortise lock exit devices

Kits available in EN and EB finishes\*\*

### Note:

- Lift slide length must be increased for 8600 and 12-8600
- Lift lever length must be increased for 8900 and 12-8900
- Shim thickness must not exceed 1/4" (6mm) on 8900 and 12-8900
- Spindles and through-bolt lengths must be increased on 8700, 12-8700, 8800, 12-8800 exits

## Rod Replacement Kits

Product	Top Rod Kit ++	Bottom Rod Kit +++
All 8700+	670T	670B
MD & AD8600	MD660T	660B
WD8600	WD660T	660B
WD8600 x Aux	WDA660T	660B
MD & AD8400	MD660T	660B
PP/PR/SP8600	661P	N/A
LP/LR/LS8600	661L	N/A

+ Finish Information Required

++ Door Height & Rail Location Required

+++ Rail Location Required

# Door Coordinators, End Caps and Cylinder Dogging Kits

80 Series

**SARGENT®**

**ASSA ABLOY**

## 3487 Door Coordinators



- Prevents active door from closing before inactive door closes
- Meets Federal Specification FF-H-106a Type 836. Cast bronze with rubber rollers
- U.L. Labeled when used with Fire Exit Hardware
- (6-3/4" length; 171mm) for pairs of doors equipped with outside astragal
- Packed with wood and machine screws
- Order as a: 3487 x Finish (10 or 26D)

## Cylinder Nut Wrench



This wrench simplifies the installation and removal of mortise cylinders nuts used on 700 Series Auxiliary Control (80 Series ET Trim).

- Part number 97-0568

## Cylinder Dogging 16- Option



A 41 mortise cylinder (included), located in the rail insert, locks the rail in retracted position. Available for all 80 Series devices except Fire Rated, FM8700 & some electrical options.

Order as a 16- option with the device

Example: 16-8813F x ETJ x 03 Finish

Also available as a 816 Kit  
Specify Kit based on Rail size

Example:

816-1 x finish for "F" wide

816-2 x finish for "E" & "F" narrow

816-3 x finish for "G" wide

816-4 x finish for "G" narrow & "J" wide

816-5 x finish for "E" wide

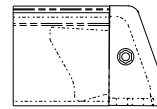
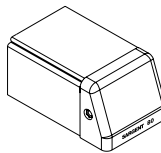
816-6 x finish for "J" narrow

816-7 x finish for "J" wide

Cylinder included

**Note:** Cylinder dogging requires a 27" minimum door width

## 665 Flush End Cap Kit 553 Shim Kit



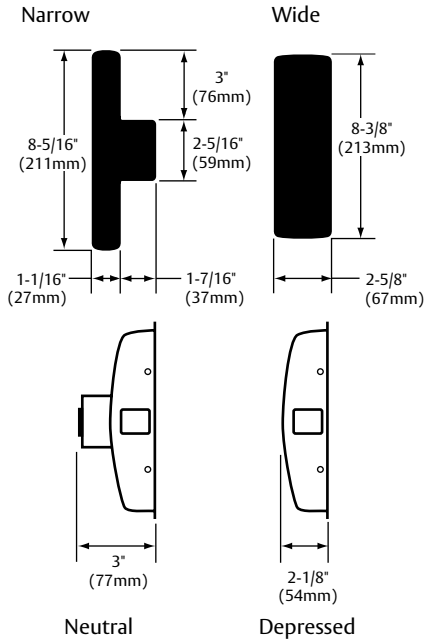
- 665 Kit is Flush End Cap for 80 Series exit device
- 665 Kit available for retrofit/replacement
- To order specify 665 Kit x Finish or with the Device as a 43- option
- 553 Kit is an 1/8" Shim for Flush End Caps
- 553 Shim Kit is only available in EN & EB\*\*
- To order specify 553 Kit x Finish

\*\* **Note:** EB (BHMA 690) Powder coated to match 10B  
EN (BHMA 689) Powder coated to match 26D

## Rail Sizes and How to Order ET Trim

### 80 Series

#### Cover Dimensions and Touchbar Projections



#### Rail Sizes

SARGENT offers four sizes of rails to accommodate 32", 36", 42" and 48" doors. These rails can be cut for smaller doors as specified in the chart below.

SARGENT will cut all rails to size if door width is specified when the hardware is ordered.

Stock Size	Door Widths	Remarks
E	24" to 32" (61cm to 81cm)	No cutting required for 32" (81cm) door
F	33" to 36" (84cm to 91cm)	No cutting required for 36" (91cm) door
J	37" to 42" (94cm to 107cm)	No cutting required for 42" (107cm) door
G	43" to 48" (110cm to 122cm)	No cutting required for 48" (122cm) door

#### LP, LR & LS8600 Rail Sizes

L Rail	36" (91cm)	No cutting required
M Rail	42" to 44" (107cm to 112cm)	No cutting required
N Rail	46" to 48" (117cm to 122cm)	No cutting required

#### How to specify and order ET Trim without an Exit Device

Example for 775-8 ETL 26D RHR 12VDC

<b>7</b>	<b>75</b>	<b>-8</b>	<b>ETL</b>	<b>26D</b>	<b>RHR</b>	<b>12VDC</b>
7 for 700 Series Auxiliary Control	2 digit function number	Suffix - Determined by Exit Device (See Chart)	ET followed by Lever Design Pages 68-71	Finish Page 81	Hand Page 80	Voltage for Solenoid ET Trims 73, 74, 75 & 76

**Note:** LFIC (Removable) and SFIC (70-) option cylinders require 97-0351 cylinder rings for 700 Series ET Controls and 94-0153 rings for 100 & 300 Series Aux controls

No Suffix	-8 Suffix
Square Spindle or No Spindle for inactive functions	Cross Type Spindle
for all 8900, 8300, 8700 with bottom rod and 8800, 8500, NB8700, PP, PR & SP8700 devices with these functions: 04, 10, 16, 40 & 44	for 8800, 8500, NB8700, PP, PR & SP8700 devices, except with these functions: 04, 10, 16, 40 & 44
-4 Suffix	-6 Suffix
Offset Mtg Tabs Top & Bottom	Offset Mtg Tab Top Only
for all AD & MD8400 and AD, WD & MD 8600 devices	for all PP, PR, SP, LP, LR & LS 8600 devices

#### 730 Spindle Retrofit Kits are used to replace existing spindles for 06, 13, 15, 16, 73, 74, 75 & 76 function ET Trims

- Kits include Spindle, Retainer Plates, Mounting Screws & Return Springs

730-1	700 Series Spindle 1-3/4" Door
730-2	700 Series Spindle 2" Door
730-3	700 Series Spindle 2-1/4" Door
730-4	700-4 Series Spindle 1-3/4" Door
730-5	700-4 Series Spindle 2" Door
730-6	700-4 Series Spindle 2-1/4" Door
730-7	700-8 Series Spindle 1-3/4" Door
730-8	700-8 Series Spindle 2" Door
730-9	700-8 Series Spindle 2-1/4" Door



# Mechanical Options & Descriptions

## 80 Series

### Mechanical Options:

Categories	How to Specify	Detailed Description
Fire Rated	12-	UL Fire Label Exit hardware (not available with 16- & HK-)
SVR Bolt	14-	Sliding bolt bottom case for 8700
Cylinder Dogging	16-	Cylinder lockdown with # 41 Cylinder & # 97 Ring (not available with 12-, 57, 59-, AL- or BT- Option)
	LD-	Less dogging for non fire rated devices
Less Touch Pad	19-	Pushbar without Lexan touchpad (not available TL-)
8900/8300 Strike	23-	4-7/8" (124mm) ANSI flat lip strike (for 8900 & 8300 Series Mortise Lock Exit Devices)
Thick Doors	31-	Doors over 1-3/4" and/or Panels (Specify door thickness, panel thickness & location as required) Not available for HC8700, FM8700, PP, PR & SP8700, PP, PR & SP8600, LP, LR & LP8700 Extended lip strike supplied for 8300 & 8900 Series
	36-	Six lobe security head screws
Security Fasteners	37-	Spanner head screws
	43-	Flush End Cap (Not available with LP, LR & LS Devices)
Electrical Options	53-	Latchbolt monitoring switch (not available with 59-, GL-, HC-, WS- or on FM8700, PP/PR/SP8600 & LP/LR/LS8600 Exit Devices)
	54-	Monitors ET Lever movement with Internal micro switch in ET Control
	55-	Request to Exit - Signal Switch in Rail (not available with 59- & FM8700)
	56-	Remote Latch Retraction (not available 57-, 58-, 59-, AL- or BT- Option)
	56-HK-	Remote Latch Retraction with manual Hex Key dogging (not available 12-, 57-, 58-, 59-, AL- or BT- Option)
	57-	Delayed Egress (Electromagnetic Lock required & purchased separately) (not available 16-, 53-, 56-, 56-HK, 58-, 59-, AL, Bc-59 - or BT, GL, TL Prefixes) ( NB, 54- are available on request)
	58-	Electric Rail Dogging (Not available 56- & 59-)
	59-	Electroguard® Self Contained Delayed Egress Device (not available with 16-, 53-, 55-, 56-, 57-, 58-, AL-, BT-, GL-, HC- & WS Option Prefixes, PP/PR/SP8600, LP/LR/LS8600 Exit Devices) (NB, 54- are available upon request)
	AL-	Alarmed Exit (Not available 16-, 56-, 57-, 59-, BT-, GL-, HC- & WS-)
	BC-59-	Electroguard® Boca Code (Door Status Switch required) (not available with 16-, 55-, 56-, 57-, 58-, AL-, BT-, GL-, HC- & WS- Options and on NB8700, PP/PR/SP8600 & LP/LR/LS8600 Exit Devices)
	BT-	Beacon- Emergency Audio & Visual egress system with a self contained Laser, Flashing LEDs & Audio alert (not available FM8700 Devices & these Options 16-, 56-, 57-, 59-, BC59- and AL)
TL-	SARGuide Electro-Luminescent Touchpad (not available 19-, 85-, 87- & PL-)	
Tactile Warning Options	76-	Tactile Warning - Milled Outside Lever (not available with Studio & Coastal Levers and the A Lever)
	85-	Tactile Warning - Abrasive strip on Push Rail (Not available with PL- & TL-)
	86-	Tactile Warning - Abrasive coating on Outside Lever
	87-	Tactile Warning - Abrasive strip on Push Rail & Abrasive coating on Outside Lever (not available with PL- & TL-)
Finish Protection	CPC-	Clear Powder Coat (Available for 32 & 32D Finishes)
	SG-	MicroShield antimicrobial clear powder coat
Top Rod Only	NB-	Less Bottom Rod & Bolt (for SVR & CVR Devices)
Guarded Latch	GL-	Guarded Latch for Rim Exit Devices (not available 53-, 56-, 59-, AL-, HC- & WS-)
SARGuide	PL-	SARGuide™ PL – Photoluminescent Coated Push Rail – (Touchpad eliminated) (not available 85, 87 & TL-)
Through Bolts	TB-	Through Bolts for 8300, 8500, 8600, 8700, 8800 & 8900 Devices

# Cylinder Options & Descriptions

## 80 Series

**SARGENT**<sup>®</sup>

**ASSA ABLOY**

### Cylinder Options:

Conventional Cylinder	-	SARGENT Conventional Cylinders Supplied Standard (Unless Otherwise Specified)
Degree Key System	DG1-	SARGENT Degree Key System Level 1 (bump resistant with patented keys)
	DG1-21-	Degree Level 1 Construction Master Keying
	DG1-60-	Degree Level 1 Removable Disposable Construction Core
	DG1-63-	Degree Level 1 Removable Core
	DG1-64-	Degree Level 1 Removable Construction Keyed LFIC
	DG1-65-	Degree Level 1 Unassembled/Uncombined Core
	DG2-	SARGENT Degree Key System Level 2 (geographically exclusive; bump and pick resistant)
	DG2-21-	Degree Level 2 Construction Master Keying
	DG2-60-	Degree Level 2 Removable Disposable Construction Core
	DG2-63-	Degree Level 2 Removable Core
	DG2-64-	Degree Level 2 Removable Construction Keyed LFIC
	DG2-65-	Degree Level 2 Unassembled/Uncombined Core
	DG3-	SARGENT Degree Key System Level 3 (geographically exclusive; UL437 certified; bump and pick resistant)
	DG3-21-	Degree Level 3 Construction Master Keying
	DG3-60-	Degree Level 3 Removable Disposable Construction Core
DG3-63-	Degree Level 3 Removable Core	
DG3-64-	Degree Level 3 Removable Construction Keyed LFIC	
DG3-65-	Degree Level 3 Unassembled/Uncombined Core	
Signature Key System	10-	SARGENT Signature Key System (Not Available with other Key Systems)
	10-21-	SARGENT Signature Construction Key System (Lost Ball)
	10UL-	SARGENT Signature UL437 Key System (Not Available with other Key Systems)
Signature- LFIC	10-63-	SARGENT Signature Large Format Interchangeable Core Cylinder (Removable)
XC- Key System	11-	XC Key System (Not available with other Key systems unless specified)
	11-21-	XC- Construction Key System (Lost Ball)
XC- Large Format Interchangeable Core (Removable Core)	11-60-	Device to accept XC- Permanent Large Format Interchangeable Core, Disposable plastic Core- provided
	11-63-	Device provided with XC- Large Format Interchangeable Core Cylinder - (Includes masterkeying, grand masterkeying)
	11-64-	Device provided with Keyed construction core to accept XC- Permanent Large Format Interchangeable Core (ordered separately)
XC- Small Format Interchangeable Core	11-70-7P-	Device to accept XC- SFIC ( 7-Pin ) XC- Permanent Cores, plastic disposable core provided
	11-72-7P-	Device to accept XC- SFIC (7-Pin Keyed Construction Core provided) cylinder Permanent core ordered separately
	11-73-7P-	Device provided with XC- Small Format 7-Pin interchangeable core (Includes masterkeying, grand masterkeying)
	11-65-73-7P-	Device provided to accept XC- Uncombined 7-Pin SFIC (Permanent) Core - (Packed Loose)
Construction Key Systems	21-	SARGENT Lost Ball Construction Keying for Conventional, XC and Signature Series (N/A with 63- or 73-)
	22-	SARGENT Construction Split Key System for Conventional Cylinders (Existing Systems Only) (N/A with 10-, 11-, 63- or 73-)
Old Style Removable Core	51-	Removable Core Cylinder (Old Style) provided (existing systems only)
	52-	Removable Construction Core (Old Style) Permanent core ordered separately (existing systems only)
Large Format Interchangeable Core (Removable Core)	60-	Device to accept SARGENT Permanent Large Format Interchangeable Core, Disposable plastic Core provided (Permanent Cores ordered separately)
	63-	Device provided with Large Format Interchangeable Core Cylinder - (Includes masterkeying, grand masterkeying)
	64-	Device provided with Keyed construction core to accept Permanent Large Format Interchangeable Core (ordered separately)
Small Format Interchangeable Core	70-	Device to accept 6- or 7-Pin SFIC Permanent Cores, plastic disposable core provided
	72-	Device to accept 6- or 7-Pin SFIC (6-Pin Keyed Construction Core provided) Cylinder (Permanent Core ordered separately)
	73-	Device provided with 6-Pin SFIC (Includes masterkeying, grand masterkeying)
	65-73-	Device provided to accept Uncombined 6-Pin SFIC (Permanent) Core - (Packed Loose for field keying)
	65-73-7P-	Device provided to accept Uncombined 7-Pin SFIC (Permanent) Core - (Packed Loose for field keying)
	73-7P-	Device provided with Small Format 7-Pin Interchangeable Core (Includes masterkeying, grand masterkeying)
Keso & Keso F1	81-	Device provided with housings to accept Keso (83) & Keso F1 (F1-83-) removable cores. (Permanent Cores ordered separately)
	82-	Device provided with SARGENT Keso Security Cylinder
	F1-82-	Device provided with SARGENT Keso F1 Security Cylinder (Patented)
	83-	Device provided with SARGENT Keso Security Removable Core cylinder
Added Security	F1-83-	Device provided with SARGENT Keso F1 Security Removable Core cylinder (Patented)
	84-	Device provided with SARGENT Keso Construction Cores (Permanent Cores ordered separately)
	BR-	Bump Resistant Cylinder (Available with Conventional & Conventional XC Cylinders Only)
Less Cylinder	LC-	Less Cylinder - SARGENT supplies standard blocking rings for 1-1/8" Cylinders (For longer cylinders order collars/rings separately)
Schlage Keyways	SC-	Schlage C keyway cylinder, 0 bitted (not available with: 8904, 8916, 8944, 8975, 8976, 8866, 8304, 8344, 8375 & 8376)
	SE-	Schlage E keyway cylinder, 0 bitted (not available with: 8904, 8916, 8944, 8975, 8976, 8866, 8304, 8344, 8375 & 8376)
Lever to Accept Schlage	SF-	L Lever to accept MEDECO KeyMark Large Format Interchangeable and Schlage Full Size Interchangeable Core (Supplied Less Cylinder, but with tailpiece needed) (Available for 88-KLL & 88-CLL)

Note: For V-10 Cylinders and information, contact ASSA

Copyright © 1998-2014, Sargent Manufacturing Company, an ASSA ABLOY Group company. All rights reserved. Reproduction in whole or in part without the express written permission of Sargent Manufacturing Company is prohibited.

90641-P6/1/14

**80**

1-800-727-5477 • [www.sargentlock.com](http://www.sargentlock.com)

ASSA ABLOY, the global leader in door opening solutions

### How to Order Exit Devices

Example Order:

Options	12- Device Type	89 Function	75 Rail Size	F Trim	ETMR Voltage	12VDV Hand	RHR Outside Finish	26D Inside Finish	32D Door Width	36" Opening Height	84" AFF	41"
Available Options Listing Pgs 76-77	89 - Mortise	04 - Night Latch	E 24"-32"	For ET trim specify ET followed by Lever design, See pages 62-65  Rail Sizes Listed Below are for LP, LR & LS Devices Only  For Thumb Piece Trims and Pulls specify Trim Designation as specified by Device Type	12VDC	RHR	Available Finishes page 81	Inside Finish Available Finishes page 81	If door width is supplied rails will be cut to size	Required for Vertical Rod Exit Devices	Center Line of Rail Above Finish Floor 41" Standard	
	WS89 - Mortise	06 - Night latch	F 33"-36"		24V0DC	LHR						
	88 - Rim	10 - Dummy	J 37"-42"		Voltage required for Solenoid Controlled Functions - 73, 74, 75 & 76							
	HC88 - Rim	13 - Classroom	G 43"-48"									
	WS88 - Rim	15 - Passage										
	87 - SVR	16 - Entrance										
	NB87 - SVR	28 - TP Passage										
	HC87 - SVR	40 - FW Dummy										
	FM87 - SVR	43 - FW Classroom	L 36" Door									
	MD86 - CVR	44 - FW Night Latch	M 42"-44"									
	AD86 - CVR	46 - FW Night Latch	N 46"-48"									
	WD86 - CVR	62 - TP Night Latch										
	85 - Rim Narrow	63 - TP Classroom										
	MD84 - CVR Narrow	66 - TP Entrance										
	AD84 - CVR Narrow	73 - Solenoid Fail Safe										
83 - Mortise Narrow	74 - Solenoid Fail Secure											
PP87 - CTL SVR	75 - Solenoid Fail Safe w/Cyl											
PR87 - CTL SVR	76 - Solenoid Fail Secure w/Cyl											
SP87 - CTL SVR												
PP86 - CTL CVR												
PR86 - CTL CVR												
SP86 - CTL CVR												
LP86 - CTL CVR												
LR86 - CTL CVR												
LS86 - CTL CVR												

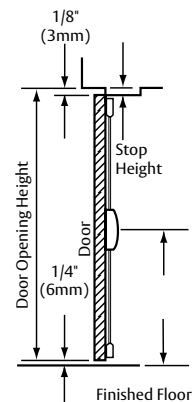
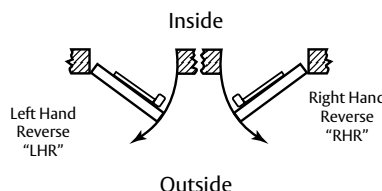
#### Legend

AD - Aluminum Door	HC - Hurricane Code
AFF - Above Finish Floor	MD - Metal Door
CTL - Center & Top Latching Exit	NB - No Bottom Rod
CVR - Concealed Vertical Rod	SVR - Surface Vertical Rod
ET - SARGENT External Lever Trim	TP - Thumb Piece Trim
FM - FEMA	WD - Wood Door
FW - Freewheeling Trim	WS - Windstorm

#### Mounting Heights

- 41" (1041mm) from finished floor for standard application
- 38" (965mm) from finished floor for elementary schools and to meet local accessibility standards when a 100 or 300 Series Auxiliary Control is used (38" AFF must be specified)

#### Hand



Copyright © 1998-2014, Sargent Manufacturing Company, an ASSA ABLOY Group company. All rights reserved. Reproduction in whole or in part without the express written permission of Sargent Manufacturing Company is prohibited.

## Finishes and Finish Care

### 80 Series

#### Finish

SARGENT#	BHMA#	Description	How to clean	Avoid these cleaners
3	605	Polished brass, clear coated	Mild non-abrasive detergent with damp cloth or sponge	Abrasive cleaners, bleach solvents, steel or bronze wool
4	606	Satin brass, clear coated		
9	611	Polished bronze, clear coated		
10	612	Satin bronze, clear coated		
10B	613	Oxidized bronze, oil rubbed	Lemon oil polished with dry cloth	Abrasive cleaners, bleach solvents, steel or bronze wool
10BE	613E	Dark oxidized satin bronze, equivalent		
10BL	614	Oxidized satin, bronze, clear coated	Mild non-abrasive detergent with damp cloth or sponge	Abrasive cleaners, bleach solvents, steel or bronze wool
14**	618**	Polished nickel, clear coated		
15**	619**	Satin nickel, clear coated		
20D	624	Statuary dark bronze, clear coated		
26**	625**	Polished chrome		
26D**	626**	Satin chrome		
32**	629**	Polished stainless steel	Plastic pad or bronze wool	Cleaners, solvents, bleach, steel wool
32D**	630**	Satin stainless steel		

\*\* Exit devices are available in all standard finishes, except 14, 15, 26 & 26D. With these finishes, exit devices are supplied in 32 or 32D to match accordingly. 26 or 26D is automatically supplied when 32 or 32D is specified. For nickel finishes, specify 14/32 or 15/32D to receive nickel finished trims and stainless exit devices.

**Note:** FLW & FSW are NOT available in 32 or 32D

#### To avoid discoloration and pitting:

- Keep stainless steel away from contact with other metals
- Avoid cleaning with mineral acids or chlorine products
- Avoid cleaning with abrasive products like sandpaper or steel wool

#### To maintain the finish:

- Remove any contamination before damage occurs
- Protect with a metal polish or car wax

### 2.01 EXIT DEVICES

- A. Exit devices shall be 80 Series push rail devices as manufactured by SARGENT Manufacturing Company, New Haven, CT.
- B. Exit devices shall be certified to meet or exceed the requirements of ANSI/BHMA A156.3 Grade 1.
- C. Exit devices shall be listed by Underwriters Laboratories for panic and bear the UL label for life safety in full compliance with NFPA 80 and NFPA 101. Exit devices for fire labeled doors shall be UL listed as "Fire Exit Hardware".
- D. Provide standard hex key dogging on non fire-rated exit devices, with cylinder dogging (i.e., SARGENT 16- option) as an option.
- E. Exit devices shall comply with UL10C and UBC 7-2 positive pressure requirements.
- F. Construction:
  - 1. Chassis shall be of heavy duty cast design with one piece drawn nonferrous removable covers matching the material of the push and mounting rails.
  - 2. Stamped steel chassis are not acceptable.
  - 3. Mounting rails shall be formed from a solid single piece of stainless steel, brass or bronze no less than 0.072 inches thick.
  - 4. Push rails shall be constructed of 0.062 inch thick material in the same manner as the mounting rail. Painted or anodized aluminum shall not be considered heavy duty and are not acceptable.
  - 5. Provide protective Lexan touchpad on the exit device push rail to prevent scratches and serve as a visible guide to the user.
  - 6. Metal end caps shall be formed from the same base metal as the push and mounting rails.
- G. Exit devices shall have a maximum of 3 inches projection from the face of the door in the non-dogged position. When in the dogged position, the device shall have no more than a 2-1/8 inch projection from the door face.
- H. The design of the exit device shall eliminate the necessity of removing the device from the door for standard maintenance or keying changes.
- I. The device chassis shall be mounted and operable without the need of the rail or the chassis cover.
- J. Trim shall be through-bolted.
- K. Devices shall be available with matching trim for both wide and narrow stile doors, including electrified functions when required.
- L. Exit device operating lever trim shall withstand 1000 inch pounds of torque without allowing access.
- M. Lever trim shall be available in architectural finishes and designs to match that of the locksets specified.
- N. Provide electrified exit devices with ElectroLynx® standardized plug connectors to accommodate up to twelve wires.
- O. Plug connectors shall plug directly into ElectroLynx® through-door wiring harnesses for connection to electric transfer hinge and power supplies.
- P. Provide sufficient number of concealed wires to accommodate electric function of specified hardware.
- Q. Exit devices shall have a five year limited warranty.

These guidelines should be referenced regularly and as required for proper appearance and longevity of finish.

SARGENT Manufacturing Company  
100 Sargent Drive  
New Haven, CT 06511 USA  
800-727-5477  
[www.sargentlock.com](http://www.sargentlock.com)

ASSA ABLOY is the global  
leader in door opening solutions,  
dedicated to satisfying  
end-user needs for security,  
safety and convenience