

# INSTALLATION INSTRUCTIONS FOR 10G70 & 10G71 Electro-Mechanical Bored Locks for 1-3/4" Doors With ElectroLynx® Connector System

For installation assistance, contact SARGENT at 800-810-WIRE(9473) or [www.sargentlock.com](http://www.sargentlock.com)

BACKSET	LOCKSET	
2-3/4"	10 Line	
3-3/4"	23-10 Line	
5"	25-10 Line	

1. Always make provision(s) to protect electrical wires from abrasion

2. Minimum 3/4" dia. raceway to connect from upper corner of reinforcement to hinge pocket

See electric hinge manufacturers' template for mortise detail

Provide pocket clearance (approx. 1" x 1") for ElectroLynx connector system (8-pin & 4-pin connectors)

**Wood door applications**

**Note:** Field modifications to doors may alter U.L. listed fire rating.

**Prep directions:** Over-drill 1" dia. to a depth of 2-9/16" beyond backset to create pocket for ElectroLynx connectors

**ElectroLynx Connector system**

1 Power requirement: 12V AC/DC, 0.50 amps or 24V AC/DC, 0.25 amps

2 Refer to page 2 for wiring instructions. All connections should be insulated.

**SARGENT®**  
**ASSA ABLOY**

10-Line bored-in lock door manufacturer template for solenoid functions (2-3/4", 3-3/4" & 5" backsets)

RELEASE DATE: 16-APR-04  
TEMPLATE NO.: 4409-1 B

**ElectroLynx®**  
As part of their promise to provide innovative, fast and effective, and higher security solutions to their customers, ASSA ABLOY Group companies offer ElectroLynx, a universal quick-connect system that simplifies the electrification of the door opening.  
ElectroLynx® is a registered trademark of ASSA ABLOY, Inc.

### Installation Notes: 10G70, 10G71, RX-10G70, RX-10G71

- Lockbodies are available with either 12V or 24V solenoid
- Solenoids require either 12V or 24V AC transformer or a filtered and regulated power supply
- Lockbodies have an in-line bridge rectifier
- RX- Lockbodies are handed (RH, RHR, LH, LHR)
- Doors manufactured by ASSA ABLOY Group Companies are available pre-wired with ElectroLynx
- Doors without ElectroLynx will have to be hard wired
- 10 Line solenoids are not polarity sensitive

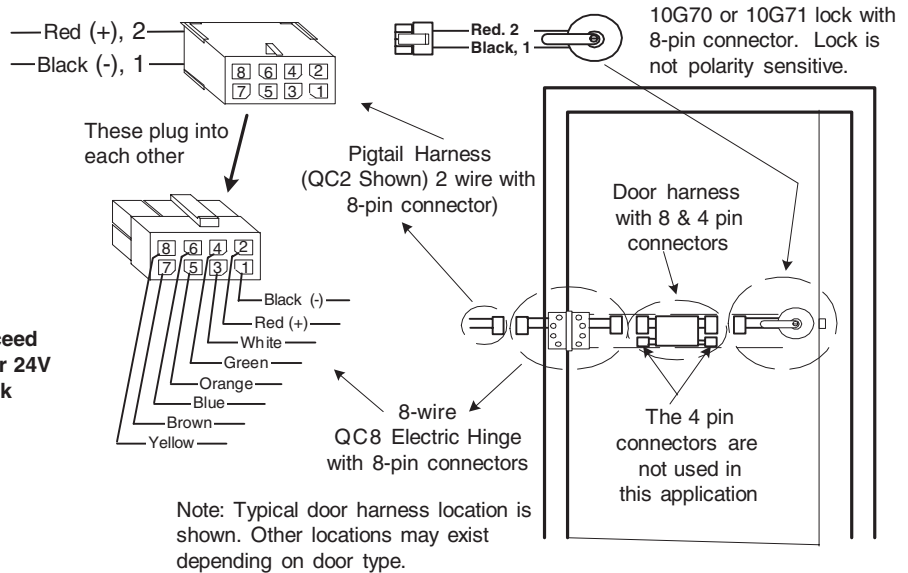
#### Installation and wiring instructions

Wire colors remain consistent with all ASSA ABLOY products

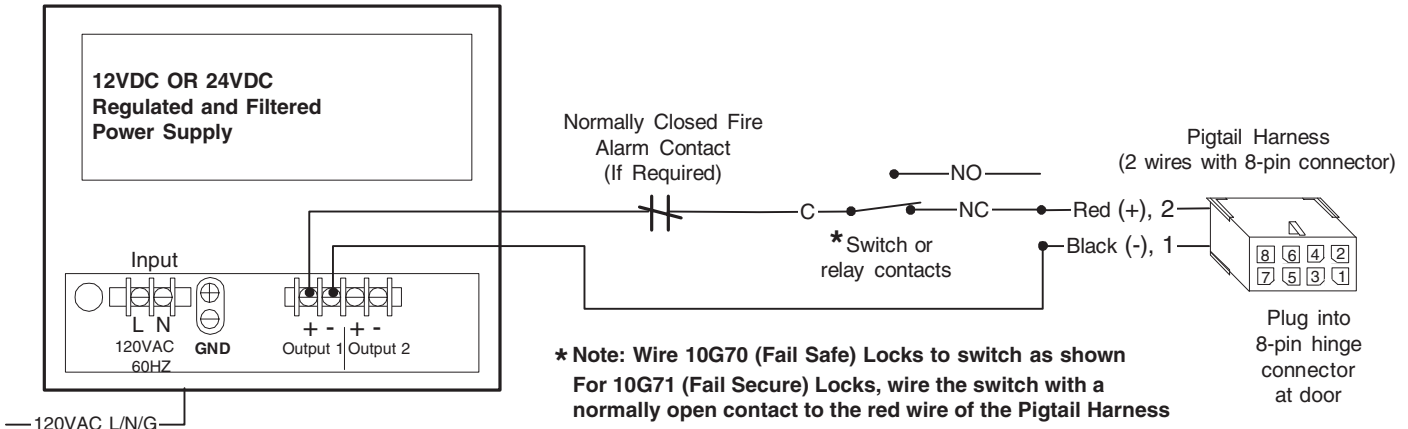
1. While installing the lock into the door, plug the lock's 8-Pin connector into the door's wire harness
2. Wire the Pigtail Harness to transformer or power supply
3. Verify correct voltage is being used

**CAUTION:** The AC/DC voltage must **not** exceed **13.2 VOLTS FOR 12V LOCKS AND 26.4V for 24V locks.** If voltage exceeds this value, the lock solenoid may be damaged.

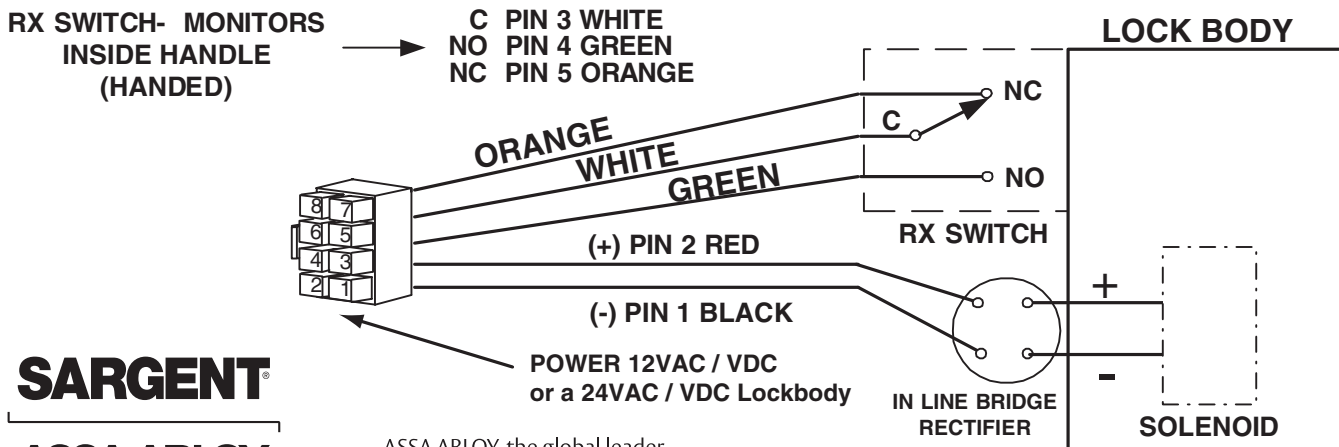
4. Plug Pigtail Harness 8-pin connector into electric hinge 8-pin connector
5. Test lock: Applying voltage unlocks fail secure lock and locks fail safe lock



### Sample wiring 10G70 Series Solenoid Locks with a 12VDC or 24VDC Regulated and Filtered Power Supply. SARGENT offers both power supplies in 12VDC and 24VDC.



### Wiring for RX-10G70/71 Series Solenoid locks. The lock is either 12VAC / VDC or a 24VAC / VDC lock body.



**SARGENT**  
**ASSA ABLOY**

ASSA ABLOY, the global leader  
in door opening solutions