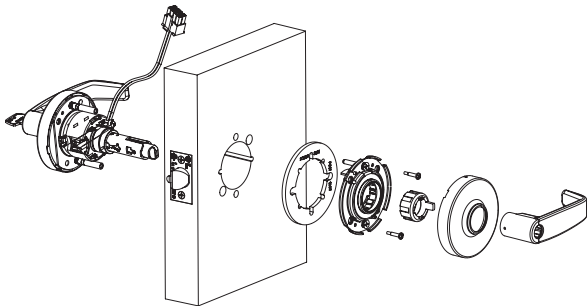


10-Line Lock with RX- Switch Installation Instructions

SARGENT
ASSA ABLOY

For assistance, contact **SARGENT** at 800-810-WIRE (9473) or www.sargentlock.com

1. Install latch assembly; do not tighten at this point.
2. Plug ElectroLynx® connector from the door's raceway to the lockbody's connector, being careful not to pinch or damage wires while installing.
3. Install outside lockbody assembly using the through-bolting posts which are adjustable for various through-bolt locations.
4. Install spacer plate, aligning "Screw Slot" locations with through-bolting posts, between spring cartridge and the door.
5. Complete installation using A7133.
6. Always test completely to verify installation.



Hardwiring Made Easy™



As part of their promise to provide innovative, fast and effective, and higher security solutions to their customers, ASSA ABLOY Group companies offer ElectroLynx, a universal quick-connect system that simplifies the electrification of the door opening.

ElectroLynx® is a registered trademark of ASSA ABLOY, Inc.

Copyright © SARGENT Manufacturing. All rights reserved.
Reproduction in whole or in part without the express written permission of SARGENT Manufacturing is prohibited.

ASSA ABLOY, the global leader
in door opening solutions

A7886A