

# Condensed Catalog

**RIXSON**  
**ASSA ABLOY**


ASSA ABLOY, the global leader  
in door opening solutions

DOOR CLOSERS CONCEALED IN THE FLOOR

Model 27 (Offset Hung) and Model 28 (Center Hung) install in the concrete beneath the surface of the floor for total concealment. They feature heavy-duty hydraulic mechanism for reliable, consistent performance.

Model 27 (Offset Hung) is installed to provide a pivot point 3/4" from the face of the door and 3/4" from the heel edge of the door. Model 28 (Center Hung) is installed 2-3/4" from the door frame. Both models are single acting (opening in one direction only).

Both models come complete with a bottom arm, top pivot, cement case and floor plate. Intermediate pivots are recommended for total door alignment on offset hung models.

 Specify "PH" prefix to meet A.D.A. requirements, ICC.ANSI 117.1 on interior doors for any model listed below. *Note PH27 and PH28 are designed specifically to meet handicapped requirements of 5 pounds of opening force on interior doors. For 8-1/2 pounds of force prefix "PH" and suffix "8-1/2".*

No. 27  
Floor  
Closer



No.  
H28  
Floor  
Closer



Model Number	Best Suited For...	Maximum Door Weight	Degree of Opening & Dead Stop	Special Features Available
27	Heavy Weight/Traffic Doors	450 lbs.	85°, 90°, 95°, 105°, 180°	Selective, Automatic (180° only) or Non-Hold Open
L27	Lead Lined or Extra Heavy Weight/Traffic Doors	1,500 lbs.	85°, 90°, 95°, 105°, 180°	Selective, Automatic (180° only) or Non-Hold Open
F27	Labeled Fire Doors	450 lbs.	85°, 90°, 95°, 105°, 180°	Non-Hold Open
Q27	Heavy Weight/Traffic Doors	350 lbs.	85°, 90°, 95°	Closer Removable Without Demounting Door-Side Jamb M19 Pivot Included
HM27	Hollow Metal Doors	250 lbs.	85°, 90°, 95°	Butt Hung (3/4" offset)
FHM27	Labeled Fire Doors	250 lbs.	85°, 90°, 95°	Butt Hung (3/4" offset)
DA27	Heavy Traffic Doors	450 lbs.	85°, 90°, 95°, 105°	Adjustable Delay From 90° to 70°
28	Heavy Weight/Traffic Doors	350 lbs.	85°, 90°, 95°, 105°	Selective or Non-Hold Open
H28	Extra Heavy Weight/Traffic Doors	1,000 lbs.	85°, 90°, 95°, 105°	Selective or Non-Hold Open
428	Tempered Glass Doors with Patch Fittings	325 lbs.	85°, 90°, 95°, 105°	Selective or Non-Hold Open
DA28	Heavy Traffic Doors	350 lbs.	85°, 90°, 95°, 105°	Adjustable Delay From 90° to 70°

Standard features include separate hydraulic latch, stroke and backcheck adjusting valves and built-in positive dead stop to exceed ANSI Grade 1 standards.

See our Heavy-Duty Offset and Center Hung Floor Closers catalog section for specific models, functions and optional features.

## DOOR CLOSERS CONCEALED IN THE FLOOR

Rixson offers other specialized floor closers featuring exceptional durability, vandal-resistant concealment and minimal maintenance. The chart below identifies these closers and their operational features. Accessories are available for these closers and can be custom designed to accommodate any special condition.



\*Specify "PH" prefix to meet A.D.A. (ICC/ANSI 117.1) requirements on interior doors for 50, 51, 30, 40, H40, 10, and 12. These are designed to specifically to meet handicapped requirements of 5 pounds of opening force

Model Number	Best Suited For...	Maximum Door Weight	Degree of Opening & Dead Stop	Closer Type	Cement Case Depth
50	Medium Traffic Interior Doors	250 lbs.	105° trim permitting	Center Hung Single Acting or Double Acting	2"
51	Medium Traffic Interior Doors	250 lbs.	180° trim permitting	Offset Hung Single Acting	2"
53**	Medium Traffic Interior Doors	250 lbs.	90° trim permitting	Independently Hung Single Acting	2"
30*	Medium Traffic Exterior and Interior Doors	200 lbs.	100° trim permitting	Center Hung Double Acting	3-5/8"
40*	Heavy Exterior and Interior Doors	300 lbs.	100° trim permitting	Center Hung Double Acting	4-1/16"
10*	Light Traffic Interior Doors	125 lbs.	90°	Center Hung Double Acting Hold Open	3-1/16"
12*	Light Traffic Interior Doors	125 lbs.	90°	Center Hung Double Acting Non-Hold open	3-1/16"
15	Light Traffic Interior Doors	125 lbs.	90°	Center Hung Double Acting Hold Open	3-1/16"
16	Light Traffic Interior Doors	125 lbs.	90°	Center Hung Double Acting Non-Hold open	3-1/16"
350	Interior Gate Closer	75 lbs.	90° (Model 359 = 140°)	Pivot Hung or Butt Hung Single acting	Surface Mount
1350	Exterior Gate Closer	150 lbs.	100° trim permitting	Pivot or butt hung	Surface Mount
1351	Exterior Gate Closer	250 lbs.	100° trim permitting	Pivot or butt hung	Surface Mount

"H" Models are available on the 40 series closers for extra-heavy interior or lead-lined doors.

"F" Models for labeled doors available on 51.

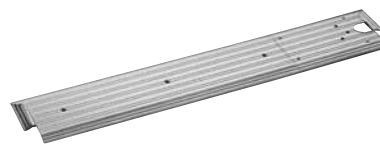
700/800 SERIES AND MODEL 608 – DOOR CLOSERS CONCEALED IN THE HEAD OF THE FRAME




Model Number	Best Suited For...	Maximum Door Weight	Maximum Door Size	Closer Type
608	Light Weight Doors	200 lbs.	3'8" x 8'0"	Center Hung/Single or Double Acting
0608	Light Weight Doors	200 lbs.	3'8" x 8'0"	Offset Hung
0700	Medium Weight Doors	200 lbs.	3'8" x 8'0"	Offset Hung
700	Medium Weight Doors	200 lbs.	3'8" x 8'0"	Center Hung/Single Acting
800	Medium Weight Doors	200 lbs.	3'8" x 8'0"	Center Hung/Double Acting

THRESHOLDS

Thresholds help protect doorways and provide an attractive, finished look to the door opening. Rixson® thresholds can be readily used with all types of door closing mechanisms. See our catalog section entitled "Thresholds" for specific models and sizes. Base metals are aluminum and bronze. Also available in plated finishes.



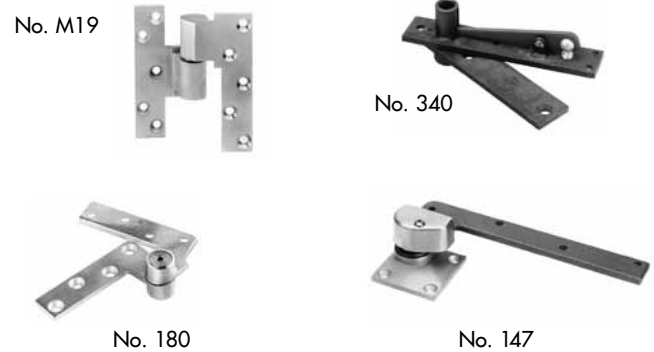
(3 x 700 shown)

 Prefix PH on certain models.

## PIVOTS AND PIVOT SETS - SUPERIOR DOOR HANGING

Pivot sets have been recognized for years as the best way to hang a door because the weight of the door is supported by the floor instead of the door frame. Pivot sets are available for doors weighing up to 1,500 pounds. (Intermediate pivots must be used with the F Series and are recommended for all applications.) If your specific requirements are other than those shown in the chart below, contact your local Rixson representative or Technical Product Support for information on customized applications. Pivot sets include both top and bottom pivots. Intermediate pivots are recommended for offset applications.

*Pivots for electric power transfer and door position indicators are available for both offset and center hung applications.*



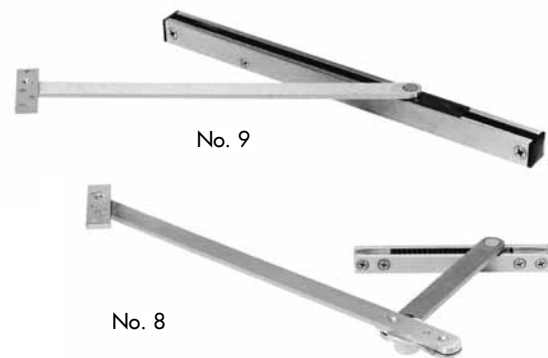
Model Number	Best Suited For...	Maximum Door Weight	Maximum Door Size	Mounting
<b>OFFSET HUNG PIVOTS</b>				
147*	Heavy Traffic Exterior and Extra Heavy Interior Doors	600 lbs.	4'0"	Surface of Floor
L147*	Lead-Lined and Extra Heavy Interior and Exterior	800 lbs.	4'0"	Surface of Floor
195	Heavy Traffic Exterior and Interior Doors	450 lbs.	4'0"	Side Jamb
117-1/2*	Heavy Traffic Exterior and Interior Doors	650 lbs.	4'0"	In Floor
L117*	Lead-Lined and Extra Heavy Interior and Exterior Doors	1750 lbs.	4'0"	In Floor
173	Light-Duty Interior Doors	175 lbs.	3'6"	Concrete Floor
117*	Interior Doors; Pivot Mounts on Floor	300 lbs.	3'6"	In Floor
117-1/4	Interior Doors; Pivot Mounts Directly to Side Jamb	250 lbs.	3'6"	Side Jamb
M19*	Intermediate Pivot	N/A	N/A	Full Mortise
ML19*	Intermediate Pivot for Lead-Lined Doors	N/A	N/A	Full Mortise
F519	Intermediate Pocket Pivot	N/A	N/A	Full Mortise
<b>CENTER HUNG PIVOTS</b>				
117-3/4	Exterior and Interior Doors	600 lbs.	4'0" x 8'6"	In Floor
H-117-3/4	Lead-Lined and Extra-Heavy Interior and Exterior Doors	1000 lbs.	4'0" x 8'6"	In Floor
176	Light-Duty Interior Doors	175 lbs.	3'0"	Concrete Floors
127-3/4	Mounts to Side Jamb. For Lightweight Interior Swinging Doors	200 lbs.	3'6" x 8'6"	Side Jamb
128-3/4	Mounts on Floor. For Lightweight Interior Inswinging Doors	250 lbs.	3'6" x 8'6"	Surface of Floor
370	Mounts on Floor. For Exterior and Interior Doors	500 lbs.	3'6" x 8'6"	Surface of Floor

\*F Series available for Labeled Doors.

### DOOR HOLDERS AND STOPS

Proper door control through the use of a combination door holder/stop minimizes damage to the door and frame, walls and any glass in the door. Virtually maintenance free, these rugged devices provide shock-absorbing door stopping power and convenient hold-open capabilities. When teamed with concealed floor closers, they provide top-to-bottom door control.

Standard-duty models are shipped for multi-function installation, hold-open, stop or friction stay.



Model Number	Best Suited For...	Maximum Door Opening	Special Features
2 Series (Concealed)	Medium Traffic Interior Doors	110°	Multi-Function
10 Series (Surface)	Medium Traffic Interior Doors	110°	Multi-Function
1 Series	Heavy-Duty Concealed Holder and Stop for Heavy Traffic Interior and Exterior Doors	110°	Hold-Open, Stop Only or Friction
8HD Series	Pivot type Heavy-Duty Surface Holder and Stop for Heavy Traffic Interior and Exterior Doors	110°	Hold-Open or Stop Only
9 Series	Heavy-Duty Surface and Stop for High-Traffic Interior and Exterior Doors	110°	Hold-Open, Stop Only or Friction
6 Series	Heavy-Duty Concealed Low Profile Stop for Interior and Exterior Doors	110°	Stop Only

## SMOKE-ACTUATED DOOR CLOSERS

Rixson-Firemark pioneered the development of smoke-actuated door controls. Smok Chek VI are designed as a combination smoke detector, door holder/release, and door closer.

This is a Fire/Life Safety product.

Smok-Chek® VI available in free swing and double egress arms (prefix FS or DE).



<i>Smok-Chek V Model</i>	Mounting	Degree of Opening	Detected
0600	Pull Side	145°	No
0601	Push Side	135°	No
0602	Pull Side Holder	180°	No
<i>Smok-Chek VI Model</i>	Mounting	Degree of Opening	Detected
4Pull	Pull Side	175°	No
6Pull	Pull Side	175°	Yes
4Push	Push Side	170°	No
6Push	Push Side	170°	Yes

## ELECTROMAGNETIC DOOR HOLDER/RELEASES

Electromagnets are designed specifically to hold fire and smoke barrier doors open until released by a remote smoke detector or other switching device. The complete assembly consists of an armature contact plate with adjustable pivot mounting for installation on the door and a heavy-duty electromagnet mounted on the wall or floor behind the door units have tri-volt coils to accommodate 12VDC/24AC/DC and 120VAC.



Model Number	Best Suited For...	Total Projection	Holding Power
990	Wall Mounted (Concealed Wiring)	1-13/16"	30-40 lbs.
994	Wall Mounted (Concealed Wiring)	3-3/4"	30-40 lbs.
997	Wall Mounted (Concealed Wiring)	2-5/8"	30-40 lbs.
998	Wall Mounted (Concealed Wiring)	3-5/8"	30-40 lbs.
999	Wall Mounted (Concealed Wiring)	4-3/8"	30-40 lbs.
996	Wall Mounted (Surface Wiring)	4-1/8"	30-40 lbs.
980	Floor Mounted (Concealed Wiring)	6-5/8" (Single Door)	30-40 lbs.
981	Floor Mounted (Concealed Wiring)	8-1/4" (Double Door)	30-40 lbs.
972	Industrial Doors	972H (Swinging Doors) 972S (Sliding Doors) 972U (Overhead Doors)	75 lbs.
993	Wall Mounted (Heavy-Duty Doors)	5-1/4"	300 lbs.

**RIXSON®**

**ASSA ABLOY**

---

CONTACT US AT:

Rixson®  
3000 Highway 74 East  
Monroe, NC 28112  
Tel: 800-457-5670  
Fax: 800-338-0965

ASSA ABLOY Door Security Solutions Canada  
160 Four Valley Drive  
Vaughan, Ontario, L4K 4T9 Canada  
Tel: 800-461-3007  
Fax: 800-221-0489

For a complete listing of products and  
applications please visit our web site.

[www.rixson.com](http://www.rixson.com)  
[www.assaabloy.ca](http://www.assaabloy.ca)

Rixson and Design®, Uni-Chek®, Smok-Check®, Firemark®, Duo-Chek® and Checkmate® are registered trademarks of the respective ASSA ABLOY Group company. Other products' brand names may be trademarks or registered trademarks of their respective owners and are mentioned for reference purposes only. These materials are protected under U.S. copyright laws. All contents current at time of publication. Copyright © 2001, 2013, Yale Security Inc., an ASSA ABLOY Group company. All rights reserved. Reproduction in whole or in part without the express written permission of Yale Security Inc. is prohibited.

ASSA ABLOY is the global leader in door opening solutions, dedicated to satisfying end-user needs for security, safety and convenience.

44006-3/13

---