

ASSA ABLOY, the global leader  
in door opening solutions

# PEMKO Catalog

## Table Of Contents

### General Information (GI):

|  |               |
|--|---------------|
| Table Of Contents                      | GI-2 - GI-3   |
| Product Index                          | GI-4 - GI-7   |
| About PEMKO                            | GI-8          |
| General Information & Terms            | GI-9 - GI-10  |
| Materials & Finishes Information       | GI-10 - GI-11 |
| Product Testing/Classification Symbols | GI-12 - GI-13 |
| ANSI/BHMA Standards                    | GI-13         |
| SoundSeal Systems                      | GI-14         |
| STC Ratings                            | GI-14         |
| Barrier-Free Systems                   | GI-15         |

### PemkoHinge™ (PH):

|  |       |
|--|-------|
| What Is PemkoHinge™                              | PH-2  |
| PemkoHinge Attributes/Design Features            | PH-2  |
| Ordering Chart                                   | PH-2  |
| BHMA Certification Program                       | PH-3  |
| Hospital Tip                                     | PH-3  |
| Cycle Requirements                               | PH-3  |
| Weight Bearing                                   | PH-3  |
| UL Fire Labeling                                 | PH-3  |
| Electrical Modifications                         | PH-4  |
| Options For Electrically Modified PemkoHinge™    | PH-4  |
| X Series PemkoHinge™                             | PH-5  |
| Offset Hinges                                    | PH-6  |
| Full-Mortise Hinges                              | PH-7  |
| Special Full-Mortise Hinges                      | PH-8  |
| Kawneer Full-Mortise Hinges                      | PH-9  |
| Raised Gear Hinges                               | PH-9  |
| Full-Mortise Safety Hinges                       | PH-10 |
| Full Mortise Hinge for 1 3/8" Door               | PH-10 |
| Wide Throw Full-Mortise Hinges                   | PH-11 |
| Wide Throw Half-Surface Hinges                   | PH-11 |
| Half Surface Hinges                              | PH-12 |
| Half-Mortise Hinges                              | PH-12 |
| Full-Surface Hinges                              | PH-13 |
| Aluminum Hinges For Aluminum Doors Under 90 lbs. | PH-14 |
| Full-Mortise Residential Hinges                  | PH-15 |
| Firepins™  | PH-15 |

### Commercial Thresholds (CT):

|  |               |
|--|---------------|
| Saddle Thresholds                              | CT-2 - CT-7   |
| Half Saddles/Offset Saddles                    | CT-8          |
| Stainless Steel Saddles                        | CT-9          |
| Thermal Barrier Saddles                        | CT-10 - CT-11 |
| Stainless Steel Thermal Barrier Saddles        | CT-12         |
| Latching Panic Exit Saddles                    | CT-13 - CT-15 |
| Latching Panic Exit Saddles - Thermal Barrier  | CT-16 - CT-17 |
| Acoustic Thresholds                            | CT-17         |
| Vinyl Thresholds                               | CT-18         |
| Adjustable-Width Vinyl Thresholds              | CT-19         |
| Heavy Duty Thresholds                          | CT-20         |
| Modular Heavy Duty Thresholds                  | CT-20         |
| Floor Plates/Safety Treads                     | CT-21 - CT-22 |
| Aluminum Plates                                | CT-22         |
| Carpet Separators                              | CT-23         |
| Floor Plate Supports/Accessories               | CT-24         |
| Elevators                                      | CT-24         |
| Threshold Stop Strips                          | CT-25         |
| Floor Closer Thresholds/Cover Plate Assemblies | CT-26         |

### Modular Ramps (MR):

|   |             |
|---|-------------|
| Modular Ramp Threshold Assemblies - Flush Applications  | MR-2        |
| Modular Ramp Threshold Assemblies - Offset Applications | MR-3 - MR-4 |
| Modular Ramp Threshold Components                       | MR-5        |
| Modular Ramp Threshold Assemblies - Variables           | MR-6        |
| Risers For Modular Ramps                                | MR-6        |
| Miter Returns For Modular Ramp Thresholds               | MR-7        |
| Barrier-Free Ramp Thresholds                            | MR-8        |
| Styrene Butadiene Rubber Ramp Thresholds                | MR-9        |
| Rubber Ramp Miter Returns                               | MR-10       |
| Recycled Rubber Ramp Assembly                           | MR-10       |

### Door Bottoms (DB):

|                                       |               |
|---------------------------------------|---------------|
| Automatic Door Bottom Information     | DB-2          |
| End Plates for Automatic Door Bottoms | DB-3          |
| Automatic Door Bottoms                | DB-4 - DB-6   |
| Security Door Bottoms                 | DB-7          |
| Residential Automatic Door Bottoms    | DB-7          |
| Specialty Door Bottoms                | DB-8          |
| Vinyl Door Shoes                      | DB-8          |
| Door Shoes                            | DB-9 - DB-11  |
| Door Bottom Sweeps                    | DB-12 - DB-13 |
| Stainless Steel Door Sweeps           | DB-13         |
| Dual Durometer Specialty Door Shoes   | DB-14         |
| Door Top Weatherstrip                 | DB-14         |

### Astragals & Meeting Stiles (AM):

|  |               |
|--|---------------|
| Astragal and Meeting Stile Gasketing - Split Astragals | AM-2 - AM-3   |
| Split Astragals with Snap Covers - Concealed Fasteners | AM-3          |
| Meeting Stile Gasketing                                | AM-4          |
| Adjustable Astragals                                   | AM-5          |
| Adhesive Astragal/Meeting Stile Seals                  | AM-5          |
| "T" and Overlapping Astragals                          | AM-6          |
| Adhesive-Backed Mullion Gasketing                      | AM-7          |
| Offset Security Bar                                    | AM-7          |
| Security Astragal                                      | AM-7          |
| Locking Astragals                                      | AM-8 - AM-9   |
| Locking Wood Astragals                                 | AM-10         |
| Outswing Locking Astragals                             | AM-11 - AM-12 |

### Brush Gasketing (BR):

|                                      |             |
|--------------------------------------|-------------|
| 180° Aluminum Retainers              | BR-2 - BR-3 |
| 180° Concealed Fastener Retainers    | BR-3        |
| 90° Aluminum Retainers               | BR-4        |
| 45° Aluminum Retainers               | BR-4 - BR-5 |
| 45° Concealed Fastener Retainers     | BR-5        |
| 35° Aluminum Retainers               | BR-6        |
| Mortise Retainers                    | BR-6        |
| Aluminum Retainers With Rain Drip    | BR-6        |
| Oak Retainers 36" Wide               | BR-6        |
| Meeting Stiles                       | BR-7        |
| Automatic Door Bottoms - Nylon Brush | BR-8        |

### Perimeter Gasketing (PG):

|   |            |
|---|------------|
| Standard Perimeter Gasketing                            | PG-2 - PG4 |
| Stainless Steel Perimeter Gasketing                     | PG-5       |
| Adjustable Jamb Gasketing                               | PG-5       |
| Heavy Duty Perimeter Gasketing - Standard Jamb          | PG-6       |
| Heavy Duty Perimeter Gasketing - Head Section           | PG-6       |
| Snap Cover Perimeter Gasketing with Concealed Fasteners | PG-7       |

## Table Of Contents

### Perimeter Gasketing (PG) (Cont.):

|  |              |
|--|--------------|
| Heavy Duty Interlock Perimeter Gasketing | PG-7         |
| Kerf-In Weatherstrip                     | PG-8 - PG-9  |
| Magnetic Gasketing                       | PG-9         |
| Adhesive Perimeter Gasketing             | PG-9 - PG-10 |
| Interlock Weatherstrip For Wood Doors    | PG-11        |
| Interlock Weatherstrip For Wood Windows  | PG-11        |
| Cushion/Spring Weatherstrip              | PG-12        |

### Adhesive Gasketing (AG):

|   |             |
|---|-------------|
| SiliconSeal Adhesive-Backed Fire/Smoke Gasketing          | AG-2 - AG-3 |
| PemkoPrene Adhesive-Backed Fire/Smoke Gasketing           | AG-3        |
| MicroShield® Antimicrobial Gasketing                      | AG-4        |
| Hot Smoke Seal/SiliconSeal Combination Fire/Smoke Sealing | AG-4        |

### Specialized Products (SP):

|                               |      |
|-------------------------------|------|
| Privacy Door Latch            | SP-2 |
| Privacy Door Latch Bracket    | SP-2 |
| Privacy Door Latch Decals     | SP-3 |
| Acoustic Adhesive Corner Pads | SP-3 |
| Heavy Duty Door Bumper        | SP-3 |
| Power Transfers               | SP-4 |

### Sliding & Folding Hardware (SF):

|                                   |       |
|-----------------------------------|-------|
| H180A Series                      | SF-2  |
| SHS80 Series                      | SF-3  |
| Sliding 200 Series                | SF-4  |
| Side Wall Track System            | SF-5  |
| Bypass Track Series               | SF-6  |
| SIM200A Series                    | SF-7  |
| LP200 Series                      | SF-8  |
| Sirocco Series                    | SF-9  |
| H300S-OH Series                   | SF-10 |
| H300S-SW Series                   | SF-11 |
| H440A-OH Series                   | SF-12 |
| H440A-SW Series                   | SF-13 |
| H600S-OH Series                   | SF-14 |
| H600S-SW Series                   | SF-15 |
| H800S-OH Series                   | SF-16 |
| H800S-SW Series                   | SF-17 |
| H1100A-OH Series                  | SF-18 |
| H1100A-SW Series                  | SF-19 |
| Sliding Glass Series              | SF-20 |
| Pocket Frame Kit                  | SF-21 |
| Folding 100 Series                | SF-22 |
| Pacer Interior End Fold Series    | SF-23 |
| Flexirol Interior End Fold Series | SF-24 |
| Options & Accessories             | SF-25 |

### Residential Thresholds (RT):

|  |             |
|--|-------------|
| Interlocking Thresholds                | RT-2        |
| Threshold Caps                         | RT-2        |
| Hooks                                  | RT-3        |
| Interlocking Thresholds - Water Return | RT-3        |
| Residential Thresholds - Water Return  | RT-4        |
| Adjustable Vinyl Top Thresholds        | RT-4        |
| Vinyl Top Thresholds                   | RT-4 - RT-5 |

### Residential Thresholds (RT) (Cont.):

|   |               |
|---|---------------|
| Residential Saddles                       | RT-5          |
| Bumper Thresholds For Outswing Doors      | RT-6          |
| Squareback Thresholds                     | RT-7          |
| Oak Thresholds                            | RT-7 - RT-8   |
| Sill Nosings                              | RT-8          |
| Adjustable Aluminum Top Sills             | RT-9          |
| Adjustable Oak Top Sills                  | RT-10         |
| Outswing Adjustable Oak Top Sills         | RT-11         |
| Residential All-Aluminum Adjustable Sills | RT-11         |
| Fixed Vinyl Top Residential Sills         | RT-12         |
| Outswing Fixed Bumper Sills               | RT-13         |
| Extenders For All Sills                   | RT-13         |
| Bumper Thresho-Sills for Outswing Doors   | RT-14         |
| Thresho-Sills                             | RT-14 - RT-15 |
| Fabrication Options for Thresho-Sills     | RT-16         |

### Floor Molding, Trim & Handyshapes™ (FM):

|                         |      |
|-------------------------|------|
| Carpet Bar - Standard   | FM-2 |
| Seam Binding            | FM-2 |
| Stair Nosing            | FM-2 |
| Edging                  | FM-2 |
| Coves                   | FM-2 |
| Oak Floor Edging        | FM-3 |
| Oak Seam Binding        | FM-3 |
| Oak Carpet Trim         | FM-3 |
| HandyShapes™ - Flat Bar | FM-4 |
| HandyShapes™ - Angles   | FM-4 |
| HandyShapes™ U-Channel  | FM-4 |

### Weatherization Products (WP):

|                                      |             |
|--------------------------------------|-------------|
| Foam and Neoprene Tape               | WP-2 - WP-3 |
| Vinyl Tape                           | WP-3        |
| Hemmed Vinyl and Garage Weatherstrip | WP-4        |
| Spring Bronze Weatherstrip           | WP-4        |
| Replacement Vinyl                    | WP-4        |

### Lites & Louvers (LL):

|                                      |               |
|--------------------------------------|---------------|
| General/Ordering Information         | LL-2          |
| Low Profile - Beveled Lite Kit       | LL-3 - LL-4   |
| Low Profile - 90° Lite Kit           | LL-5 - LL-6   |
| Grills/Vision Lites For 90° Lite Kit | LL-7          |
| Inverted "Y" Louver                  | LL-8          |
| Fusible Link Louver                  | LL-9          |
| Fire Glazing Tape                    | LL-10         |
| Fire Glazing Tape Applications       | LL-11 - LL-16 |

### Door & Frame Accessories (DA):

|                                |             |
|--------------------------------|-------------|
| Anchors                        | DA-2 - DA-3 |
| Glazing Bead/Spreader Bar      | DA-3        |
| Reinforcements - Fillers       | DA-4 - DA-6 |
| Reinforcements - Miscellaneous | DA-6 - DA-8 |
| Reinforcements - Tabs          | DA-8 - DA-9 |
| Door Channel & Top Cap         | DA-10       |

## Product Index

| Product  | Index                                      | Product | Index                      | Product      | Index             | Product | Index | Product     | Index       |
|----------|--|---------|----------------------------|--------------|-------------------|---------|-------|-------------|-------------|
| 10       | PG-11                                      | 166     | CT-4                       | 18950        | BR-2              | 212     | RT-5  | 236         | CT-23       |
| 101      | RT-2                                       | 1665    | CT-3                       | 190          | CT-21             | 2120    | FM-2  | 2364        | CT-23       |
| 102N     | SF-2-SF-8,<br>SF-10-SF-17, SF-25           | 167     | RT-15                      | 191          | CT-21             | 213     | RT-4  | 2366        | CT-23       |
| 102WA    | SF-2-SF-7,SF-11,<br>SF-13,SF-17, SF-25     | 168     | CT-7                       | 19125        | CT-22             | 2131    | FM-2  | 237         | RT-5        |
| 102WN    | SF-2-SF-5,SF-7,<br>SF-11,SF-13,SF-15,SF-17 | 169     | CT-3                       | 192          | CT-21             | 2132    | FM-2  | 238         | RT-5        |
| 106N/94  | SF-25                                      | 170     | CT-3                       | 193          | CT-21             | 2132W   | FM-3  | 2408        | FM-2        |
| 106HF/94 | SF-22                                      | 1700    | CT-3                       | 19325        | CT-22             | 2133W   | FM-3  | 246         | CT-23       |
| 106R/94  | SF-2-SF-8,<br>SF-10-SF-19                  | 171     | CT-4                       | 193x2/195    | CT-26             | 2134    | FM-2  | 2464        | CT-23       |
| 107      | RT-2                                       | 1710    | CT-4                       | 194          | CT-24             | 214     | RT-5  | 249         | RT-4        |
| 1075C    | SF-2                                       | 1715    | CT-20                      | 195          | CT-24             | 215     | DB-9  | 250         | RT-4        |
| 1076A    | SF-2                                       | 1716    | CT-20                      | 1951         | CT-23             | 216     | DB-9  | 2500W       | RT-8, FM-3  |
| 108      | RT-2                                       | 1717    | CT-20                      | 196          | DB-7, SP-3, CT-24 | 216_FG  | DB-10 | 252         | CT-7        |
| 11       | PG-11                                      | 1718    | CT-20                      | 198          | CT-6              | 217     | DB-9  | 252SS       | CT-9        |
| 110      | RT-2                                       | 1719    | CT-20                      | 1A/290       | SF-11             | 2170    | DB-8  | 252x2_FG    | CT-11       |
| 114      | RT-2                                       | 172     | CT-5                       | 1A/290/EC    | SF-10, SF-11      | 2173    | DB-11 | 252x226     | CT-15       |
| 115      | RT-2                                       | 173     | CT-2                       | 1A/301       | SF-15, SF-17      | 2175W   | FM-3  | 252x226_FGT | CT-16       |
| 120      | RT-2                                       | 174     | CT-23                      | 1A/301/EC    | SF-14, SF-17      | 218     | RT-5  | 252x2SS_FG  | CT-12       |
| 121      | RT-2                                       | 175     | CT-4                       | 1A/550       | SF-19             | 218OAK  | RT-8  | 252x3_FG    | CT-11       |
| 123      | RT-2                                       | 175SS   | CT-9                       | 1B           | SF-13             | 219     | RT-5  | 252x3SS_FG  | CT-12       |
| 136      | RT-3                                       | 176     | CT-5, CT-26                | 200          | CT-24             | 219OAK  | RT-8  | 252x4SS_FG  | CT-12       |
| 14/1     | CT-22                                      | 176x170 | CT-26                      | 2001         | CT-13             | 21B/P   | SF-23 | 253         | CT-7        |
| 140_M    | RT-15                                      | 176x171 | CT-26                      | 2002         | CT-13             | 21BO/4  | SF-23 | 253SS       | CT-9        |
| 142      | RT-3                                       | 177     | CT-14                      | 2005         | CT-13             | 21N/94  | SF-23 | 253x226_FGT | CT-16       |
| 145      | RT-3                                       | 179     | CT-13                      | 2006         | CT-13             | 21R/94  | SF-24 | 253x3_FG    | CT-11       |
| 146      | RT-3                                       | 18/1    | CT-22                      | 2006STCxQ380 | CT-17             | 220     | DB-9  | 253x3SS_FG  | CT-12       |
| 147      | RT-3                                       | 18041   | BR-3, BR-7, AM-2           | 2007         | CT-13             | 221     | DB-10 | 253x4_FG    | CT-11       |
| 149      | RT-6                                       | 18061   | BR-3, BR-7,<br>DB-13, AM-2 | 2007STCxQ380 | CT-17             | 2211    | DB-10 | 253x4SS_FG  | CT-12       |
| 151      | CT-2                                       | 18062   | BR-3                       | 2008STCxQ380 | CT-17             | 2218    | FM-2  | 254         | CT-7        |
| 153      | RT-14                                      | 18062W  | BR-6                       | 203          | RT-5              | 2219    | FM-2  | 2548        | CT-5, CT-26 |
| 154      | CT-4                                       | 181     | CT-15                      | 203OAK       | RT-7              | 2219W   | FM-3  | 2548x170    | CT-26       |
| 154SS    | CT-9                                       | 18100   | BR-3, DB-13                | 204          | RT-5              | 222     | DB-10 | 2548x171    | CT-26       |
| 1546     | CT-4                                       | 18100W  | BR-6                       | 204OAK       | RT-7              | 2221    | DB-10 | 2549        | CT-5        |
| 155      | RT-6                                       | 18137   | BR-2, DB-13                | 205          | RT-6              | 223     | DB-11 | 254SS       | CT-9        |
| 156      | CT-6                                       | 18175   | BR-2                       | 2051         | RT-6              | 2230    | DB-11 | 254x226     | CT-15       |
| 157      | CT-8                                       | 182     | CT-8                       | 2052         | RT-7              | 2250W   | FM-3  | 254x226_FGT | CT-16       |
| 158      | CT-8                                       | 18250   | BR-2                       | 2053         | RT-7              | 2266    | CT-21 | 254x4       | CT-5, CT-26 |
| 159      | CT-14                                      | 183     | CT-24                      | 2054         | RT-7              | 227     | CT-7  | 254x4_FG    | CT-11       |
| 160      | RT-14                                      | 184     | CT-25                      | 2055         | RT-7              | 228     | CT-21 | 254x4SS_FG  | CT-12       |
| 160_M    | RT-14                                      | 18400   | BR-2                       | 206          | RT-4              | 2286    | CT-22 | 254x4_x170  | CT-26       |
| 161_M    | RT-15                                      | 1842    | CT-25                      | 207          | RT-4              | 229     | CT-7  | 254x4_x171  | CT-26       |
| 163_M    | RT-15                                      | 185     | CT-15                      | 208          | RT-5              | 230     | CT-23 | 254x5_FG    | CT-11       |
| 164_M    | RT-15                                      | 1855    | CT-14                      | 208OAK       | RT-7              | 2300W   | FM-3  | 255         | CT-7        |
| 165      | RT-14                                      | 1875    | CT-8                       | 209          | DB-9              | 231     | RT-5  | 2550        | CT-5        |
|          |  | 1877    | CT-8                       | 21/550/P     | SF-24             | 233     | RT-5  | 255x226     | CT-15       |
|          |  | 188     | CT-24                      | 210          | DB-9              | 234     | DB-9  | 255x226_FGT | CT-16       |
|          |  | 189     | CT-24                      | 211          | DB-9              | 2343    | DB-11 | 255x5       | CT-6        |
|          |  |         |                            | 2113         | DB-11             | 2350W   | FM-3  | 255x5_FG    | CT-10       |



## Product Index

| Product                    | Index       | Product   | Index               | Product | Index         | Product | Index              | Product | Index               |
|----------------------------|-------------|-----------|---------------------|---------|---------------|---------|--------------------|---------|---------------------|
| 256                        | CT-7        | 281       | SF-3, SF-4, SF-7,   | 294     | PG-3          | 335     | PG-7               | 377     | DB-14               |
| 256x6                      | CT-6        |           | SF-20, SF-22, SF-25 | 2945    | FM-4          | 336     | PG-7               | 378     | AM-7                |
| 256x6_FG                   | CT-10       | 2802BT    | SF-6, SF-25         | 2949    | FM-4          | 343     | DB-14              | 379     | PG-5                |
| 257                        | MR-8        | 2812      | SF-6, SF-25         | 2953    | FM-4          | 344     | DB-14              | 3A/290  | SF-10               |
| 257x259                    | MR-8        | 2813      | RT-4                | 2959    | FM-4          | 3443    | AM-11              | 3A/301  | SF-14, SF-16        |
| 257x259                    | CT-26       | 2815_M    | PG-9                | 296     | PG-4          | 3444    | AM-11              | 403/2   | SF-23, SF-24        |
| 259                        | MR-8        | 281A      | SF-8                | 297     | PG-2, AM-2    | 3445    | AM-12              | 405     | DB-7                |
| 2604                       | FM-2        | 282       | CT-24               | 299     | PG-3          | 3446    | AM-12              | 411_NB  | BR-8                |
| 2604W                      | FM-3        | 282HD     | SF-22               | 2P      | PG-11         | 3447    | AM-12              | 411     | DB-5                |
| 270                        | DB-7, CT-2  | 283       | SF-22               | 30      | PG-11         | 3448    | AM-12              | 412     | DB-6                |
| 271                        | CT-2        | 283       | CT-24               | 300     | AM-4          | 345     | BR-6, DB-12, DB-13 | 4131_NB | BR-8                |
| 272                        | CT-2        | 284D      | SF-20               | 301     | SF-14 - SF-17 | 3452    | BR-6, DB-13        | 4131    | DB-4                |
| 2727                       | CT-8        | 285       | PG-4                | 301AV   | WP-4          | 346     | DB-14              | 41M     | PG-11               |
| 273                        | CT-6        | 286       | SF-4-SF-6, SF-25    | 303     | PG-2, AM-2    | 347     | DB-14              | 420     | DB-5                |
| 273x224_FGT                | CT-16       | 287HD     | SF-2, SF-4,         | 305     | PG-3, AM-2    | 3481    | AM-10              | 43      | PG-11               |
| 273x3_FG                   | CT-10       |           | SF-6 , SF-25        | 305SS   | PG-5          | 3481FB  | AM-10              | 430     | DB-6                |
| 273x4_FG                   | CT-10       | 2891      | PG-6                | 306     | PG-2          | 3483    | AM-10              | 4301    | BR-8                |
| 274                        | CT-6        | 2892      | PG-6                | 307     | DB-12         | 3483FB  | AM-10              | 4301    | DB-4                |
| 2746                       | CT-6        | 2893      | PG-6                | 308     | DB-12         | 34831   | AM-10              | 434_NB  | BR-8                |
| 2746x6                     | CT-3        | 28945     | PG-6                | 309     | PG-4, DB-12   | 34832   | AM-10              | 434     | DB-5                |
| 2746x6_FG                  | CT-10       | 2897      | FM-4                | 310     | AM-3          | 3493    | AM-8               | 45041   | BR-5                |
| 2748                       | CT-2, CT-26 | 2899      | FM-4                | 311CIN  | AM-3          | 3494    | AM-8               | 45061   | BR-5                |
| 2748x270                   | CT-26       | 289B      | SF-22               | 312     | PG-4          | 3495    | AM-9               | 45062   | BR-5                |
| 2748x271                   | CT-26       | 289T      | SF-22               | 313     | DB-8, AM-4    | 3496    | AM-9               | 45100   | BR-5                |
| 2749                       | CT-3        | 290       | PG-6                | 314     | DB-8, AM-4    | 3497    | AM-9               | 45137   | BR-5                |
| 274x224_FGT                | CT-17       | 290_SSTOP | CT-25               | 315     | PG-4, DB-12   | 3498    | AM-9               | 45175   | BR-4                |
| 274x4                      | CT-3, CT-26 | 290       | SF-10 - SF-11       | 3151    | DB-12         | 350     | PG-5               | 45250   | BR-4                |
| 274x4_FG                   | CT-10       | 2901      | FM-4                | 3151SS  | DB-13         | 35041   | BR-6               | 45400   | BR-4                |
| 274x4_x270                 | CT-26       | 2902      | PG-6                | 315SS   | DB-13, PG-5   | 35061   | BR-6               | 4C      | PG-11               |
| 274x4_x271                 | CT-26       | 2903      | PG-6                | 316     | PG-2, AM-2    | 351     | AM-5               | 4P      | PG-11               |
| 2750                       | CT-3        | 29045     | PG-6                | 317     | DB-8          | 352     | AM-6               | 5025    | BR-6                |
| 276                        | CT-2, CT-26 | 2905      | FM-4                | 318     | DB-8, AM-3    | 354     | AM-5               | 5041    | BR-6                |
| 276x270                    | CT-26       | 2909      | FM-4                | 3185    | DB-8          | 355     | AM-6               | 5061    | BR-6                |
| 276x271                    | CT-26       | 2913      | FM-4                | 319     | PG-3          | 356     | AM-6               | 510     | DB-7                |
| 277                        | CT-14       | 2917      | FM-4                | 319SS   | PG-5          | 357     | AM-6               | 5110    | AM-7                |
| 278x224_FGT                | CT-17       | 2925      | FM-4                | 321     | DB-12         | 3572    | AM-7               | 530     | DB-7                |
| 279x224_FGT                | CT-17       | 29310     | PG-7, AM-3          | 321SS   | DB-13         | 3572PP7 | AM-7               | 550A    | SF-18,SF-19,SF-24   |
| 280                        | SF-4        | 293100    | BR-3, DB-13         | 322     | PG-5          | 358     | AM-4               | 556/21  | SF-24               |
| 280_-SWF                   | SF-5        | 29313     | PG-7                | 324     | RT-8          | 359     | AM-6               | 556/57  | SF-18,SF-19         |
| 280_-SWT                   | SF-5        | 29321     | PG-7                | 326     | RT-8          | 368     | DB-12              | 56      | DB-12               |
| 2802A                      | SF-6        | 29324     | BR-3, BR-7, AM-3    | 3261    | RT-8          | 369     | AM-4               | 57      | DB-12               |
| 280A SF-3,SF-4,SF-7, SF-9, |             | 29326     | BR-3, BR-7, AM-3    | 327     | RT-8          | 3692    | DB-9               | 57A/N   | SF-16, SF-17        |
| SF-20,SF-22                |             | 2933      | FM-4                | 330     | PG-4          | 371     | AM-4               | 57A/S   | SF-14,SF-15         |
| 280AN                      | SF-8        | 29344     | PG-7, BR-5          | 331     | PG-11         | 372     | AM-4               | 57B     | SF-12,SF-13         |
| 280C-SWTKIT                | SF-5        | 29346     | PG-7, BR-5          | 332     | PG-3          | 375     | PG-4-AM-6          | 57K/N   | SF-10,SF-11         |
| 280D-SWTKIT                | SF-5        | 2937      | FM-4                | 332SS   | PG-5          | 375SS   | PG-5               | 600A    | SF-12, SF-13, SF-23 |

## Product Index

| Product       | Index  | Product   | Index                   | Product       | Index               | Product     | Index             | Product   | Index |
|---------------|--|-----------|-------------------------|---------------|---------------------|-------------|-------------------|-----------|-------|
|               |  | ADJ232V8  | CT-19                   | FIF2/275      | SF-24               | HF1-25PK    | DA-4              | LP200A    | SF-8  |
|               |  | AL_FM     | PH-14                   | FIF4/27       | SF-24               | HF2/100     | SF-22             | LT-B1     | LL-3  |
|               |  | AL_FS     | PH-14                   | FM            | PH-7                | HF2/100PACK | SF-25             | LT-B2     | LL-4  |
| 601H          | SF-3, SF-7,<br>SF-20, SF-25  | AM44      | AG-4, PG-10             | FM_RG         | PH-9                | HF2-25PK    | DA-4              | LT-B3     | LL-4  |
| 601P          | SF-12, SF-13   | AM88      | AG-4, PG-10             | FM_SF         | PH-10               | HF3-25PK    | DA-4              | LT-B4     | LL-4  |
| 608           | SF-20  | B71       | AM-4                    | FM_SLF        | PH-7                | HF4/100     | SF-22             | LT-S1     | LL-5  |
| 61            | RT-3   | BA5-50PK  | DA-2                    | FM_SLF138     | PH-10               | HF4-25PK    | DA-4              | LT-S2     | LL-6  |
| 610           | SF-20  | BA6-50PK  | DA-2                    | FM_SLI        | PH-7                | HF5-25PK    | DA-4              | LT-S3     | LL-6  |
| 66            | RT-3   | BA8-50PK  | DA-2                    | FM_SLISF      | PH-10               | HF6-25PK    | DA-4              | LT-S4     | LL-6  |
| 67            | RT-3   | CA1-50PK  | DA-2                    | FS            | PH-13               | HH3/290     | SF-10, SF-11      | LV-FL     | LL-9  |
| 68            | DB-14  | CA2-50PK  | DA-2                    | FS_BP         | PH-13               | HH3/301     | SF-14, SF-19      | LV-IY     | LL-8  |
| 6C            | PG-11  | CB1-50PK  | DA-4                    | FS_CP         | PH-13               | HM          | PH-12             | MA4-25PK  | DA-2  |
| 70C-100       | PG-12  | CB2-50PK  | DA-4                    | FT1-50PK      | DA-9                | HR1-50PK    | DA-8              | MA5-25PK  | DA-2  |
| 70D-100       | PG-12  | CB3-50PK  | DA-4                    | FT2-50PK      | DA-9                | HR2-50PK    | DA-8              | MAG349    | PG-9  |
| 70E-100       | PG-12  | CR2-5PK   | DA-7                    | FT3-50PK      | DA-8                | HR3-50PK    | DA-8              | MB1-50PK  | DA-6  |
| 70F-100       | PG-12  | CR3-20PK  | DA-7                    | FT4-50PK      | DA-9                | HR4-50PK    | DA-8              | N84518    | RT-12 |
| 71            | PG-12  | DC1-10PK  | DA-10                   | FT5-50PK      | DA-9                | HS          | PH-12             | N85518    | RT-12 |
| 73            | PG-12  | DC2-10PK  | DA-10                   | G-10          | LL-7                | HS_SF       | PH-12             | NL13516   | PG-12 |
| 74            | PG-12  | DC3-10PK  | DA-10                   | G-12          | LL-7                | HS1-50PK    | DA-6              | NL1634    | PG-12 |
| 74518         | RT-11  | DELLH     | SF-9                    | G-15          | LL-7                | HS2-50PK    | DA-6              | NL1678    | PG-12 |
| 75            | PG-12  | DELRH     | SF-9                    | G-2           | LL-7                | HS3-50PK    | DA-6              | OAK349-96 | AM-8  |
| 75518         | RT-11  | DT1-50PK  | DA-9                    | G-3           | LL-7                | HS4-50PK    | DA-6              | OS_FM     | PH-6  |
| 8451          | RT-13  | DT3-50PK  | DA-9                    | G-4           | LL-7                | HSS1000     | AG-4              | OS_HS     | PH-6  |
| 8452          | RT-13  | DT4-50PK  | DA-8                    | G-5           | LL-7                | HSS2000     | AG-4, LL-15       | OS4301    | DB-4  |
| 8/10/75 HUSKY | SF-20, SF-25   | DT5-50PK  | DA-8                    | G-6           | LL-7                | HSS2000xS44 | AG-4              | OS4343    | DB-4  |
|               |  | E197      | CT-21                   | G-8           | LL-7                | HSS2000xS88 | AG-4              | OS95518   | RT-11 |
|               |  | E199      | SP-3                    | G-9           | LL-7                | K_FM        | PH-9              | P240      | WP-2  |
| 75518         | RT-11  | EA1-25PK  | DA-6                    | GS1-20PK      | DA-3                | K1077C-SWEP | SF-2              | P241      | WP-2  |
| 84518         | RT-12  | EL-CEPT   | SP-4                    | GS2-20PK      | DA-3                | K134EP      | SF-4, SF-7, SF-25 | P241-30   | WP-2  |
| 85518         | RT-12  | EL-EPT    | SP-4                    | GS3-20PK      | DA-3                | K28_-SWEP   | SF-5              | P242      | WP-2  |
| 89/2N         | SF-10-SF-19  | EL-EPT-SC | SP-4                    | GS4-20PK      | DA-3                | K411        | DB-3              | P243      | WP-2  |
| 90041         | BR-4   | EXT3/4    | RT-13                   | H100/200 Pack | SF-4-SF-6,<br>SF-25 | K412PA      | DB-3              | P244      | WP-2  |
| 90062         | BR-4, DB-13  | EXT2      | RT-13                   | H1100A-OH     | SF-18               | K412PG      | DB-3              | P260      | WP-2  |
| 90100         | BR-4, DB-13  | EXT3      | RT-13                   | H1100A-SW     | SF-19               | K412PD      | DB-3              | P261      | WP-2  |
| 90137         | BR-4   | EL-EPTL   | SP-4                    | H180A         | SF-2                | K420        | DB-3              | P262      | WP-2  |
| 93518W        | RT-10  | EPD1      | DB-14                   | H200A         | SF-4                | K430MPA     | DB-3              | P263      | WP-2  |
| 94518         | RT-9   | EPD2      | DB-14                   | H222-45       | SF-2, SF-3, SF-21   | K430MPD     | DB-3              | P264      | WP-2  |
| 94A           | SF-2-SF-8,<br>SF-10 - SF-19<br>SF-22 - SF-24, SF-25                            | F134      | SF-6, SF-25             | H300S-OH      | SF-10               | K430PA      | DB-3              | P265      | WP-2  |
|               |  | F134C     | SF-2-SF-4, SF-7         | H300S-SW      | SF-11               | K430PD      | DB-3              | P266      | WP-2  |
| 95518         | RT-9   | F136      | SF-20, SF-25            | H440A-OH      | SF-12               | LA1-25PK    | DA-6              | P361V16   | WP-4  |
| 971A          | SF-2, SF-4, SF-7,<br>SF-8, SF-10, SF-12, SF-14,<br>SF-16, SF-18, SF-22 - SF-25 | F160C     | SF-12                   | H440A-SW      | SF-13               | LF1-25PK    | DA-5              | P364R16   | WP-4  |
|               |  | F160ECP   | SF-12                   | H600S-OH      | SF-14               | LF2-25PK    | DA-5              | P365V16   | WP-4  |
| 99            | DB-12  | F200C     | SF-13                   | H600S-SW      | SF-15               | LF3-25PK    | DA-5              | P366V16   | WP-4  |
| ACP112        | SP-3   | F200ECP   | SF-13                   | H800S-OH      | SF-16               | LF4-50PK    | DA-4              | P380      | WP-3  |
| ADJ232V14     | CT-19  | FG3000S45 | LL-10 - LL-13,<br>LL-16 | H800S-SW      | SF-17               | LF5-25PK    | DA-5              | P381      | WP-3  |
|               |  | FG3000S90 | LL-10, LL-15            | HBP200A       | SF-6                | LF6-25PK    | DA-5              | P384      | WP-3  |
|               |  |           |                         |               |                     | LH100       | SF-8              | P385      | WP-2  |

## Product Index

| Product   | Index        | Product                 | Index | Product   | Index       | Product    | Index | Product   | Index |
|-----------|--------------|-------------------------|-------|-----------|-------------|------------|-------|-----------|-------|
| P386      | WP-2         | PV11GR36                | WP-4  | R1OSMR    | MR-3        | SA2        | DB-7  | XW4-100PK | DA-3  |
| P387      | WP-3         | PV13GR36                | WP-4  | R1OSS     | MR-4        | SA3        | DB-7  | XW5-100PK | DA-3  |
| P388      | WP-3         | PV15GR36                | WP-4  | R1OSSMR   | MR-4        | SA4        | DB-7  | XW6-100PK | DA-3  |
| P390      | WP-2         | PV22BL36                | WP-4  | R2.25F    | MR-2        | SB1-25PK   | DA-5  | XW7-100PK | DA-3  |
| P391      | WP-2         | PV22GR36                | WP-4  | R2.25FMR  | MR-2        | SB2-25PK   | DA-5  | XW8-100PK | DA-3  |
| P392      | WP-2         | PV64GR36                | WP-4  | R2F       | MR-2        | SB3-25PK   | DA-5  | XW9-100PK | DA-3  |
| P393      | WP-2         | PV83TN36                | WP-4  | R2FMR     | MR-2        | SB4-25PK   | DA-5  | ZA5-100PK | DA-2  |
| P394      | WP-2         | PV9BL36                 | WP-4  | R2OS      | MR-3        | SB5-25PK   | DA-5  | ZA6-100PK | DA-2  |
| P396      | WP-2         | PV9GR36                 | WP-4  | R2OSMR    | MR-3        | SBR.5F     | MR-9  | ZA8-100PK | DA-2  |
| P397      | WP-2         | Q102                    | PG-8  | R2OSS     | MR-4        | SBR.5FMR   | MR-9  |           |       |
| P398      | WP-2         | Q103                    | PG-8  | R2OSSMR   | MR-4        | SBR1F      | MR-9  |           |       |
| P39C17    | WP-3         | Q106                    | PG-8  | RAMP 1    | MR-5        | SBR1FMR    | MR-9  |           |       |
| P39C180   | WP-3         | Q107 AM-12, PG-8, RT-13 |       | RAMP 11   | MR-5        | SHS80      | SF-3  |           |       |
| P480      | WP-3         | Q108 AM-10, PG-8        |       | RAMP 12   | MR-5        | SIM100     | SF-7  |           |       |
| P484      | WP-3         | R.5F                    | MR-2  | RAMP 13   | MR-6        | SIM200A    | SF-7  |           |       |
| P485      | WP-3         | R.5FMR                  | MR-2  | RAMP 14   | MR-6        | SIRF/2500  | SF-9  |           |       |
| P490      | WP-2         | R.5OS                   | MR-3  | RAMP 2    | MR-6        | SIRLH      | SF-9  |           |       |
| P491      | WP-2         | R.5OSMR                 | MR-3  | RAMP 3    | MR-5        | SIRRH      | SF-9  |           |       |
| P493      | WP-2         | R.5OSS                  | MR-4  | RAMP 4    | MR-5        | SPFM       | PH-8  |           |       |
| P497      | WP-2         | R.5OSSMR                | MR-4  | RAMP 5    | MR-5        | SPFM_SLF   | PH-8  |           |       |
| P50       | PG-9         | R.75F                   | MR-2  | RAMP 6    | MR-5        | SPFM_SLI   | PH-8  |           |       |
| P51B17    | WP-4, PG-12  | R.75FMR                 | MR-2  | RAMP 7    | MR-6        | SR1-10PK   | DA-7  |           |       |
| PDL       | SP-2         | R.75OS                  | MR-3  | RAMP 8    | MR-5, MR-6  | SR2-10PK   | DA-7  |           |       |
| PDLBRKT   | SP-2         | R.75OSMR                | MR-3  | RAMP 9    | MR-5        | SS71       | AM-4  |           |       |
| PDL-D1    | SP-3         | R.75OSS                 | MR-4  | RAMP10    | MR-5        | TC1-10PK   | DA-10 |           |       |
| PDL-D2    | SP-3         | R.75OSSMR               | MR-4  | RF1-25PK  | DA-7        | TC2-10PK   | DA-10 |           |       |
| PF114PS   | PG-10        | R1.25F                  | MR-2  | RR1       | MR-9        | TC3-10PK   | DA-10 |           |       |
| PF134 KIT | SF-21        | R1.25FMR                | MR-2  | RR1.25FMR | MR-10       | V232       | CT-18 |           |       |
| PF28200A  | SF-21        | R1.25OS                 | MR-3  | RR12_H    | MR-10       | V2320      | CT-18 |           |       |
| PFAS      | SF-21        | R1.25OSMR               | MR-3  | RR2       | MR-9        | V2322      | CT-18 |           |       |
| PFAS100   | SF-21        | R1.25OSS                | MR-4  | RS138     | PH-14       | V2325      | CT-18 |           |       |
| PFAS88    | SF-21        | R1.25OSSMR              | MR-4  | RS175     | PH-14       | V2326      | CT-18 |           |       |
| PFBG-4    | SF-21        | R1.5F                   | MR-2  | RVARIOSS  | MR-6        | V80        | DB-8  |           |       |
| PFBG-8    | SF-21        | R1.5FMR                 | MR-2  | S104      | PG-8        | WA1-100PK  | DA-3  |           |       |
| PFBS      | SF-21, SF-25 | R1.5OS                  | MR-3  | S105      | PG-8        | WING 10_H  | MR-7  |           |       |
| PFCDKIT   | SF-21        | R1.5OSMR                | MR-3  | S109      | PG-8        | WING 16_H  | MR-7  |           |       |
| PFFC-8    | SF-21, SF-25 | R1.5OSS                 | MR-4  | S44       | PG-9, AG-2  | WING EXT_H | MR-7  |           |       |
| PFHB-1    | SF-21        | R1.5OSSMR               | MR-4  | S44x2     | AG-2, PG-10 | WT_FM      | PH-11 |           |       |
| PFHB-2    | SF-21        | R1.75F                  | MR-2  | S52       | PG-8        | WT_HS      | PH-11 |           |       |
| PFHS      | SF-21, SF-25 | R1.75FMR                | MR-2  | S77       | AG-2, PG-10 | X25M       | PH-5  |           |       |
| PFKIT-4   | SF-21        | R1.75OS                 | MR-3  | S771      | AG-3, AM-5  | XF         | PH-5  |           |       |
| PFKIT-8   | SF-21        | R1.75OSMR               | MR-3  | S771x6    | AG-3, PG-10 | XI         | PH-5  |           |       |
| PIF2/165A | SF-23        | R1.75OSS                | MR-4  | S772      | AG-3, AM-5  | XM         | PH-5  |           |       |
| PIF4/165A | SF-23        | R1.75OSSMR              | MR-4  | S773      | PG-9, AG-3  | XT1-100PK  | DA-2  |           |       |
| PK33      | AG-2, PG-10  | R1F                     | MR-2  | S776      | AG-3, PG-10 | XW1-100PK  | DA-3  |           |       |
| PK52      | PG-9         | R1FMR                   | MR-2  | S88       | PG-9, AG-2  | XW2-100PK  | DA-3  |           |       |
| PK55      | AG-2, PG-10  | R1OS                    | MR-3  | SA1       | DB-7        | XW3-100PK  | DA-3  |           |       |

## Who is PEMKO?

Since 1952, PEMKO has been a key manufacturer in weatherstripping products. Over the years we have expanded our product line into a full line of architectural door trim products to include thresholds, fire/smoke gaskets, door bottoms, perimeter gasketing, brush seals, astragals, continuous geared and stainless steel hinges, fire and life-safety products, lites and louvers, and sliding door hardware.

PEMKO offers sound-tested, smoke-labeled, fire-labeled, skid resistant, and ADA-compliant products, and aggressively pursues new product development to create solutions for new applications and requirements.

### Applications

- **Energy Efficiency:** PEMKO has the products to make a complete energy efficient door solution – door bottoms, astragals, meeting stiles, brush gasketing, perimeter gasketing, and thermal barrier thresholds.
- **Smoke and Fire Gasketing:** Hot Smoke Seal™ is an intumescent fire life-safety product that meets UBC7-2 (proposed UL10C) positive pressure testing. PEMKO's S88, S773, and S44 silicone seals are also smoke and fire rated gaskets that meet UBC7-2 positive pressure testing and are Category G gaskets for edge sealing systems for use with Category B doors.
- **PEMKO SoundSeal Solutions:** As a result of extensive acoustic testing, PEMKO gasketing systems are used on openings with STC Ratings from the low-30's and into the mid-50's.
- **Electrically Modified PEMKO Hinges:** Continuous geared hinges are designed for commercial doors of all traffic levels and offer many benefits for your opening. All of PEMKO's commercial-grade continuous geared hinges have the added option for electrical modification. Some of these options allow for electrical modifications to be made without removing the door from the opening.
- **ADA-compliant aluminum and rubber ramps** provide wheelchair access in public access doorways.

PEMKO products undergo rigorous testing to ensure that they meet or exceed the industry standards. Look for the logos next to the product drawings and see page GI-12 for more information.



### LEED Certification Contribution

PEMKO can help to achieve prerequisites and accumulate points in several categories and credit areas for LEED. For further information, please call 1-800-824-3018 or refer to our website to view our prepared LEED statement.



U.S. Green Building Council logo is a trademark owned by the U.S. Green Building Council and is used with permission.



ASSA ABLOY is a member of the USGBC and CaGBC

### Sales & Support

Customer Service Representatives are available from 7am to 7pm Central time at 1-800-824-3018 or visit the website for the current catalogs, sell sheets, and the most up-to-date templates.

There are over 50 items on the PEMKO Quick Ship Program that ship within 24 hours. For the most up-to-date list see the Quick Ship flyer posted on [www.pemko.com](http://www.pemko.com), in the literature section.

### Need a Sales Rep?

For representation information in Washington State, Alaska, Oregon, Northern California, Northern Nevada, and Hawaii, please visit [www.pemko.com](http://www.pemko.com) to locate and view the sales contact for your area or call PEMKO Customer Service at 1-800-824-3018.

PEMKO is largely represented by the ASSA ABLOY Door Security Solutions team (except, WA, AK, OR, N CA, N NV, HI) Contact your local ASSA ABLOY Door Security Solution Representative via e-mail by going to [www.assaabloydss.com](http://www.assaabloydss.com) and clicking on "Sales Support" or call 1-800-DSS-EZ4U (800-377-3948).

**Website:** [www.pemko.com](http://www.pemko.com)

**Facebook:** [www.facebook.com/pemkomfg](http://www.facebook.com/pemkomfg)

**Twitter:** <http://twitter.com/#!/PemkoMfg>

PEMKO has manufacturing and warehouse locations in Memphis TN and Ventura CA as well as warehouse locations in Toronto ON and Vancouver BC.

## General Information and Terms

### Terms:

All prices are F.O.B. factory. To customers with satisfactory and / or prior approved credit and account status, terms of 2% 10th prox., NET 20th will be allowed. Please enclose an account application prior to or with your initial order.

---

### Credit Card Capabilities:

Visa, Mastercard and American Express are accepted (only for established open accounts). Payment terms are NET.

---

### Freight Terms:

All orders are F.O.B. factory. For NET orders of \$1000.00 or more, freight will be prepaid in the continental U.S. for shipment the most economical way. For shipments to Hawaii on NET orders of \$1350.00 or more, freight will be prepaid the most economical way. A freight allowance of \$13 / cwt will apply on shipments to Canada, Alaska, or Puerto Rico for NET orders of \$1100.00 or more. All shipments that exceed 108" in packaged length must be shipped LTL. Add 2" to the length of the product for finish package length. Minimum freight on these orders is \$120.00.

---

### Crating Charges/Special Packaging:

\$50.00 NET. This will be added to any order not meeting prepaid freight where the product is over 10' in length or for welded threshold assemblies.

---

### Minimum Order Level:

A surcharge of \$7.50 NET will be added to NET orders less than \$50.00.

---

### Returns And Allowances:

No merchandise will be accepted for return or credit unless prior written approval is obtained. Returned merchandise must be of recent sale (12 months), in restockable / resalable quality, size, and condition. S88, S44, S44x2, S776, S773, S773x2 S772, S771, S771x6, PK55, and PK33 may only be returned within six (6) months of the date of sale. Contact PEMKO Customer Service for rules and Return Goods Authorization paperwork.

---

### Cancellation Charges:

Cancelled orders for special material, non-stock sizes, or special sizes are subject to cancellation charges, based on factory expense and material used.

---

### Guarantee:

PEMKO products are guaranteed for five (5) years against defects in material or workmanship, except: 1) PemKote™ abrasive surface for thresholds is guaranteed for for ten (10) years. 2) Polyurethane Foam Tapes are guaranteed for 90 days. 3) Grade 1 PemkoHinges are guaranteed for the life of the opening against defects in material or workmanship. All other Grades of PemkoHinge carry a ten (10) year warranty. 4) Electrical modification is guaranteed for five (5) years. 5) PC Henderson products are guaranteed or two (2) year against defects in material workmanship. PEMKO will not be liable for defects or damages arising from improper installation, product modification, incorrect application or storage of product. Written notice of damages must occur within the warranty period. Liability shall be limited to the replacement of product or component determined to be defective and shall not include costs arising from removal or reinstallation of product. Cost of replacement shall not exceed original purchase price. No other claims will be allowed. In no event shall liability be extended to include punitive, incidental or consequential damages arising from use of PEMKO products. This is the sole warranty given by Pemko Manufacturing. No other warranty implied or expressed shall be allowed.

---

### Claims For Shortage Or Damage In Transit:

All claims must be made within ten (10) days of receipt of goods. Consignee assumes the risk of loss or damage in transit.

---

### Mill Lengths:

Most extrusions are available in mill lengths. Cut lengths over 12 feet are charged as mill lengths.

---

### Ordering Information:

Please order material by product number, specifying length required per piece and the number of pieces. Most weatherstrips are stocked in standard sizes. If it is not practical to furnish the size ordered, the next larger size will be furnished and charged. Thresholds are maintained in standard sizes with ½" extra length on thresholds thru 47" and 1" extra length for thresholds 48" and longer to allow for fitting and field trim, unless exact net cut size is specified.

---

## General Information and Terms

### Non-Stock Finish Information:

Some items shown in this catalog are not stocked in certain finishes (i.e. BDG, G, PW, and SN). 'Batch charges' may be required on non-stock finishes to achieve our normally fast lead times. Contact PEMKO Customer Service for a quotation and lead time.

### Option Tables:

The option tables are provided for selection of other than standard or normal finishes, components, fabrication, or fasteners. Since these are other than standard or normal, please allow for extra lead time for extra lead time for option(s) selected.

### Cutting Tolerances:

Elastometric: -0 + 2" (50.8mm)

Thresholds (up to 48"): + 1/2" (12.7mm)

Thresholds (48" and up): +1" (25.4mm)

Net Cut: +/- 0.060, 1/16" (1.5mm)

Hinges: +/- 0.032, 1/32" (0.8mm)

Automatic Door Bottoms: +/- 0.060, 1/16" (1.5mm)

*Orders are subject to acceptance by PEMKO. All prices and terms are subject to change without notice.*

### How to Order (Product Number Designations):

When placing your order, please specify the product profile number, finish, insert and size/length. Also make sure to clearly state any special fabrication needs, optional fasteners or custom finishes/sizes required.

Throughout the catalog, products are listed with an underscore ( \_ ) where variable finishes are available. More in-depth ordering information for specific lines is available in the individual product sections of the catalog.

#### Standard Products:

Example: 2001 A T 36 (Shown as 2001\_T in catalog)

| Profile#: | Finish: | Insert:         | Size/Length:                             |
|-----------|---------|-----------------|--|
| 2001      | A       | T = ThermoSeal™ | 36 = 36"                                 |
| 216       | SN      | PK = PemkoPrene | 48 = 48"                                 |
| 297       | BDG     | V = Vinyl       | 3684 = 1 piece @ 36"<br>+ 2 pieces @ 84" |

#### Adhesive Gasketing Products:

Example: S773 D 21 (Shown as S773\_ in catalog)

| Profile#: | Finish: | Size/Length:                |
|-----------|---------|-----------------------------|
| S773      | D       | 21 = 21' coil               |
| PK55      | BL      | 510 = 510' (bulk packaging) |
| S88       | W       | 17 = 17' coil               |

For **PemkoHinge™** and **Modular Ramps**, see detailed ordering information in their individual sections.

## Materials and Finishes Information

### Metals:

PEMKO's extruded metal products are made from 6063 aluminum alloy or CDA alloy C38500 architectural bronze (brass). Roll-formed metal products are made from stainless steel, high-strength special-purpose zinc alloy, 70-30 yellow brass, or 85-15 red brass. Roll-formed aluminum weatherstripping is produced from various alloys selected for the particular properties required. See finishes information below for all finish designations. If you do not see the option you require, please inquire with our Customer Service Department about the feasibility of a custom finish.

#### Standard Finishes:

**A** - Mill Finish Aluminum

**AK** - Mill Finish Aluminum w/PemKote™

**B** - Mill Finish Extruded Bronze (Brass)

**BDC** - Bright Dip Clear Anodized Aluminum

**BDG** - Bright Dip Gold Anodized Aluminum

**C** - Clear Anodized Aluminum

**CB** - Cladded Brass

**D** - Dark Bronze Anodized Aluminum

**G** - Gold Anodized Aluminum

**K** - PemKote™ (on aluminum or bronze)

**PA** - Mill Finish Aluminum

**PD** - Painted Dark Bronze Aluminum

**PG** - Painted Gold Aluminum

**PW** - Painted White Aluminum

**S** - Cladded Stainless Steel

**SN** - Satin Nickel Anodized Aluminum

**SP** - Galvannealed Steel

**SS** - Stainless Steel (see individual part for finish)

**Z** - Zinc Metal



**Special Order Finishes:**

Champagne  
Light/Medium Dark Bronze  
Painted Aluminum (any color)  
Polished Aluminum, Uncoated

Polished Bronze, Uncoated  
Satin Brushed Aluminum, Uncoated  
Satin Brushed Bronze, Uncoated  
Oxidized and Oil Rubbed Bronze

**Finish Options:**

PemKote™  
Anodized (clear, light/medium dark bronze, black, Champagne, gold)  
Chrome Plate  
Prime Coat  
Pewter Finish for Aluminum  
Polish/Buf Brass  
Polish/Buf Aluminum

Satin Buff Brushed Brass  
Oxidized & Oil Rubbed L-metal (ANSI/BHMA 722)  
Oxidized & Oil Rubbed L-metal (custom finish)  
Oxidized & Oil Rubbed Thresholds (ANSI/BHMA 722)  
Oxidized & Oil Rubbed Thresholds (custom finish)  
Oxidized & Oil Rubbed Weatherstrip (ANSI/BHMA 722)  
Oxidized & Oil Rubbed Weatherstrip (custom finish)

**Adhesive Gasketing And Replacement Vinyl Finishes:**

BL - Black  
C - Clear  
D - Dark Brown  
GR - Light Gray  
TAN - Tan  
W - White

**Lites & Louvers Finishes:**

B - California Beige Powder Coat  
D - Dark Bronze Duranodic Powder Coat  
G - Gray Primer Powder Coat

**Inserts:**

PEMKO manufactures many products with gasket inserts (seals). See insert information below for all insert (seal) designations. Also, the available inserts (seals) for each individual product are shown adjacent to each individual product.

|                              |  |                         |
|------------------------------|--|-------------------------|
| <b>E</b> - EPDM              | <b>PK</b> - PemkoPrene**   | <b>SB</b> - Soft Brush  |
| <b>M</b> - Magnetic          | <b>Q</b> - Kerf-in Foam  | <b>T</b> - ThermoSeal™  |
| <b>N</b> - Neoprene or EPDM* | <b>R</b> - Sponge Neoprene or EPDM*                                | <b>TF</b> - Triple Foam |
| <b>NB</b> - Nylon Brush      | <b>S</b> - SiliconSeal or Sponge Silicone<br>(see individual part) | <b>V</b> - Vinyl        |
| <b>P</b> - Pile              |  |                         |

\*N: As we "Green" PEMKO's inserts "N" may be either Neoprene or EPDM.

\*R: As we "Green" PEMKO's inserts "R" may be either Sponge Neoprene or Sponge EPDM.  
Over time, these inserts will move to EPDM material.

\*\*PK: In order to best control our customers' costs some PK (Santoprene™) products may be a silicon based elastomeric material with comparable performance.

NOTE: If any of this may cause an issue, please contact PEMKO Customer Service for specific insert information or solutions.

**Fabrication Options:**

PEMKO offers many fabrication options to fit specific job requirements. Please consult our Customer Service and/or Engineering departments for details. Custom fabrications are subject to engineering design costs and are quoted on a time and material basis.

|              |   |            |                                     |
|--------------|---|------------|-------------------------------------|
| Bevel        | One Edge                                | Miter1     | Double, One End of Threshold        |
| Cut          | Thresho-Sill Nosing Flush               | Miter2     | Double, Both Ends of Threshold      |
| Leadline     | Leadline of Astragals, Door Bottoms     | Half Notch | ½", Door Shoe, Both Ends, Drip Only |
| Rip          | Width                                   | Half Notch | ¾", Door Shoe, Drip Only, Both Ends |
| Tack Weld    | One Line                                | Half Notch | ⅝", Door Shoe, Drip Only, Both Ends |
| Tab          | Welded Tab & Screw                      | Half Notch | ⅞", Door Shoe, Drip Only, Both Ends |
| Support Leg  | For Elevated Plates 3" Center to Center | Full Notch | ½", Door Shoe, Both Ends            |
| L-Notch      | Both Ends of Threshold                  | Weep Holes | All Door Shoes                      |
| U-Notch      | Both Ends of Threshold                  |            |                                     |
| Drill        | Thresho-Sill (Add "H" to Prod. #)       |            |                                     |
| Mill & Drill | Thresho-Sill (Add "M" to Prod. #)       |            |                                     |
| Miter1       | Single, One End of Threshold            |            |                                     |
| Miter2       | Single, Both Ends of Threshold          |            |                                     |

*Fabrication Options Important Note: Complicated fabrications are quoted based on time and materials.*

**Drawings**

Product drawings throughout the catalog may be a reduced representation / not drawn to scale. They are representations of the product size, dimensions, shape, etc. For scale drawings in PDF or AutoCAD (DWG or DXF) format, please visit our website: www.pemko.com

## Product Testing/Classification Symbols

These symbols are shown adjacent to products throughout the catalog so that one can readily identify and select products which meet specification and/or code requirements.



**Air Infiltration Tested**  
**Tested To: ASTM E-283**

Products indicated by this symbol have been air infiltration tested in accordance with the requirements of ASTM E-283 Rate of Air Leakage Through Exterior Windows, Curtain Walls, and Doors.



**Sound Tested**  
**Tested To: ASTM E 90-2009**

Products indicated by this symbol have been acoustically tested in accordance with ASTM E 90-2009. Method for Laboratory Measurement of Airborne Sound Transmission Loss of Building Partitions Tests were conducted by Western Electro-Acoustic Laboratory Inc., and Riverbank Acoustical Laboratory. Both are accredited laboratories for acoustic testing. Contact PEMKO for recommended **SoundSeal Systems**.



**Barrier-Free**  
**Meets Requirements of: ADAAG-2010 (Amended) and ICC / ANSI A117.1-2009**

Products indicated by this symbol are access compliant by having installed height differences not over 1/2" with allowable edge and slope conditions. All ramp products have ADA compliant 1:12 slopes: PEMKO **Modular Ramp Thresholds** (Ramps Section), **Rubber Ramp Thresholds** (Ramps Section), and **Recycled Rubber Ramps** (Ramps Section). Contact PEMKO or refer to page GI-15 for recommended **BarrierFree Systems**.



**Non-Skid/PemKote™**  
**Meets Requirements of: ASTM D 2047 & Federal Specifications P-F-430C**

PemKote™ is a rugged abrasive finish of nickel-aluminum composite which is fused to the metal surface by an exothermic reaction. This process produces an aesthetically pleasing skid resistant coating with extremely high bond strength and excellent resistance to oxidation. PemKote™ carries a TEN (10) YEAR GUARANTEE, and is available on all PEMKO metal thresholds and metal modular ramps. PEMKO highly recommends the use of PemKote™ for all Barrier-Free Modular Ramps and as a durable, economical alternative for cast abrasive products.



**Smoke Tested**  
**Tested To: UL 1784**  
**Meets Requirements of: NFPA 105-2010**

Products indicated by this symbol are Listed by WYLE Laboratories as having been tested in accordance with Underwriters Laboratories Inc.®, Standard UL 1784 Air Leakage Tests of Door Assemblies, and meet the performance criteria for allowable air leakage as specified in NFPA 105-2010 Installation of Smoke Control Door Assemblies.



**Fire Rated**  
Products indicated by this symbol are fire rated, classified and listed (U.S.A. and Canada) to meet the requirements/standards of UL10B, UL10C, and UL10C (Edge Sealing). For a complete listing of fire rated and UL rated products, please refer to the UL website.



**PemkoHinge™ Rating:**

All models designated with these symbols are tested and certified by Underwriters Laboratories Inc.® (U.S.A. and Canada) to standards UL10B and UL10C for up to a 3-Hour Fire Listing for all 4'-0" x 10'-0" and 8'-0" x 10'-0" door and frame assemblies. Fire listing certifications apply to all approved hollow metal and wood door assemblies in drywall or masonry wall construction. Check UL Rating #R14745 on the UL website for a complete and current listing of applicable PemkoHinge™ products.



**Builders Hardware Manufacturers Association:**

Products indicated by this symbol have been voluntarily submitted to rigid third party testing and follow-up audits to confirm that they fully and continuously meet or exceed the requirements of their underlying ANSI / BHMA Standards. These products are listed in the BHMA Directory of Certified Products, published annually, and available for purchase from BHMA. They are also posted and frequently updated on the BHMA website at [www.buildershardware.com](http://www.buildershardware.com). PEMKO products are covered by the following: ANSI / BHMA A156.21-2009 Standard for Thresholds, ANSI / BHMA A156.222011 Standard for Door Gasketing Systems, and ANSI / BHMA A156.26-2005 Standard for Continuous Hinges.

## Product Testing/Classification Symbols



UL1S47 - Check UL Rating #R18375 on the UL website for a complete and current listing of applicable PEMKO edge sealing and fire glazing products (not specifically listed by item in this product catalog).



UL4L10 - Check UL Rating #R14369 on the UL website for a complete and current listing of applicable PEMKO products (not specifically listed by item in this product catalog).



Check PEMKO's Category G, Category H and Category J listings on ITS website [www.intertek.com](http://www.intertek.com) for a complete and current listing of applicable PEMKO edge sealing, perimeter gasketing and fire glazing products.

## ANSI/BHMA

The following interprets ANSI/BHMA numbers which identify material and type of products. For products that meet ANSI/BHMA Standards, look for the BHMA certified logo next to the product in our catalog. For a complete listing refer to the BHMA Certified Products Directory on line at [www.buildershardware.com](http://www.buildershardware.com).

### American National Standard for Thresholds ANSI/BHMA A156.21 (2009)

| 1 Product Section "J" Designates Architectural Door Trim, Thresholds   |   |  |  |   |
|--|---|--|--|---|
| 2 Material   | 3 Configuration   | 4 Surface  | 5 Description  | 6 Description   |
| 1. Architectural Extruded Brass or Bronze<br>3. Aluminum<br>5. Stainless Steel<br>7. Rubber & similar nonmetallic<br>0. Other (ie: cast iron, safety abrasive, etc.) | 1. Compressing top<br>2. Flat Saddle<br>3. Half Saddle<br>4. Interlocking<br>5. Rabbeted, latching/Panic with gasket<br>7. Plate<br>8. Ramped<br>9. Saddle for floor closer<br>0. None designated | 1. Fluted<br>2. Fluted with abrasive<br>3. Smooth<br>4. Smooth with abrasive | 1. Applied Stop<br>2. Applied Stop with gasket<br>3. Barrier Free<br>4. Carpet Separator<br>5. Ends Mitered<br>6. Expansion Assembly<br>7. Hook Strip Applied to door<br>8. Offset<br>9. Thermal Barrier<br>0. None Designated | 1. Applied Stop<br>2. Applied Stop with gasket<br>3. Carpet Separator<br>5. Ends Mitered<br>6. Expansion Assembly<br>7. Hook Strip Applied to door<br>8. Offset<br>9. Thermal Barrier<br>0. None Designated |

### American National Standard for Door Gasketing and Edge Seal Systems ANSI/BHMA A156.22 (2011)

| 1 Product Section "R" Designated Gasketing   |  |   |   |  |  |
|--|--|---|---|--|--|
| 2 Product Material   | 3 Gasketing Material   |   | 4 Product Type  | 5 Material Application   | 6 Gasketing Rating   |
| 1. Brass or Bronze<br>3. Aluminum<br>5. Stainless Steel<br>0. Optional material or none used | A. Brush<br>B. Neoprene, solid<br>C. Neoprene, closed cell<br>D. Vinyl<br>E. Silicone Rubber<br>F. Pile<br>G. Thermoplastic Elastomer (TPE)<br>H. Thermoplastic Urethane (TPU)<br>J. Thermoplastic Rubber<br>K. Spring Metal<br>L. Magnetic<br>M. Felt<br>N. Robber Fabric<br>P. Intumescent<br>Q. Intumescent/Brush | R. Intumescent/Neoprene, Solid<br>S. Intumescent/Neoprene Closed Cell<br>T. Intumescent/Vinyl<br>U. Intumescent/Silicone Rubber<br>V. Intumescent/Pile<br>W. Intumescent/Thermoplastic (TPE)<br>X. Intumescent/Thermoplastic Urethane (TPU)<br>Y. Optional material or none used<br>Z. Intumescent/Thermoplastic Rubber | 1. Head and Jamb<br>2. Head and Jamb, Adjustable<br>3. Automatic Door Bottom<br>4. Door Sweep or Shoe<br>5. Door Sweep or Shoe with Drip Cap<br>6. Astragal Overlapping<br>7. Astragal Split or Compensating<br>8. Astragal Adjustable<br>9. Rain Drip without gasket<br>0. Other | 1. Door Edge<br>2. Door Edge, Mortise<br>3. Door Face<br>4. Door Face, Semi-Mortise<br>5. Frame Rabbet (surface or mortise)<br>6. Frame Soffit (H.M.)<br>Frame Stop (WD)<br>7. Frame Face<br>8. Kerf<br>9. Stop (H.M.), Stop Face (WD)<br>0. Other | 0. Smoke/Energy Performance/Acoustic Rated<br>1. Smoke/Energy Performance Rated<br>2. Smoke/Acoustic Rated<br>3. Energy Performance/Acoustic Rated<br>4. Smoke Rated<br>5. Energy Performance Rated<br>6. Items not Rated<br>7. Acoustic Rated |

### American National Standard for the Explanation of Numbering System. First letter denotes BHMA Product Section (A)

| First Numeral-Material  | Second Numeral-Type of Product   | Third Numeral-Electrical Modifications   | Fourth Numeral-Door Weight (lbs)      | Fifth Numeral-Grade Classification     | Second Letter-Hinge Type |
|---|--|--|---------------------------------------|--|--------------------------|
| 1. Brass, Bronze<br>3. Aluminum<br>5. Stainless Steel, 300 Series<br>8. Steel | 1. Edge Mounted Hinges<br>2. Half Edge Mounted Hinges<br>3. Full Surface Hinges<br>4. Half Surface Hinges<br>5. Swing Clear<br>6. Raised Barrel<br>7. Wide Throw<br>0. Other | 0. None<br>1. Concealed Wire Transfer<br>2. Monitor<br>3. Power Transfer<br>4. Other | 1. 150<br>2. 300<br>3. 600<br>4. 1200 | 1. Grade 1<br>2. Grade 2<br>3. Grade 3 | B. Barrel<br>G. Geared   |

## SoundSeal Systems

### Introduction:

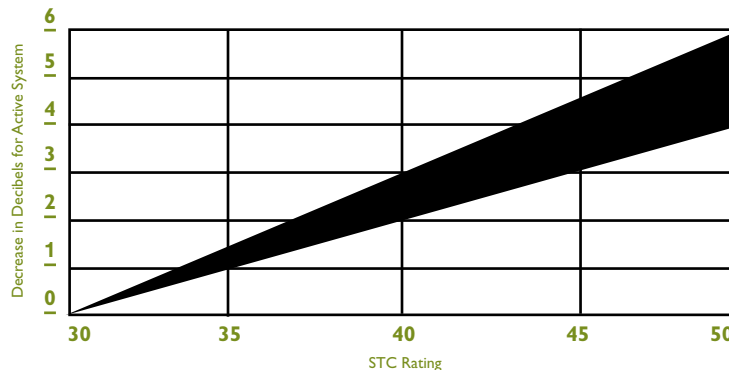
PEMKO SoundSeal Systems and sound tested products are the result of extensive testing in acoustic laboratories. Our current listings represent those systems which performed consistently and with the highest STC ratings. STC stands for "Sound Transmission Class", wherein the higher the rating, the lower the transmission of sound.

### Methods and Procedures:

Testing conforms to the provisions and requirements of ASTM E 90-2009 Standard Test Method for Laboratory Measurement of Airborne Sound Transmission Loss of Building Partitions and Elements. The system assembly is placed in the test chamber between the source room and receiving room and is subjected to 17 one-third octave bands between 125 and 5000 Hertz. The resulting sound transmission loss values are tabulated in accordance with ASTM E 413 Standard Classification for Rating Sound Insulation. The Sound Transmission Class (STC) rating is determined by comparison to the standard STC contour.

### Acoustic Performance Expectations:

When acoustic gasketing is required there are two basic guidelines to consider: (1) Is the surrounding construction compatible with the STC rating desired? (2) Does the door and frame being considered have an ample STC rating? The following can be used as a guideline for determining the decrease in decibels that can be anticipated with any **PEMKO SoundSeal System**: standard solid core wood doors will have a rating of about STC-30 and any **PEMKO SoundSeal System** will maintain this level with no additional loss. For an acoustic steel door with an STC-50 rating, the resulting active rating with a PEMKO SoundSeal System will be STC-45, a decrease of 5dB.



**Note:** Standard non-acoustic doors can be anticipated to provide the following ratings:

- solid core wood = STC 28 to STC 32
- insulated hollow metal = STC 38 to STC 40

## STC Rating

The range of sound frequencies used in these tests is that of normal human speech and hearing, and in most cases the level of attenuation achieved does not totally eliminate but rather muffles the sound to an unintelligible level. The chart shown compares the level of speech that would be heard through a door system having the indicated active STC rating (active STC rating is for an operable system as contrasted to the sealed-in-place rating of the door only).


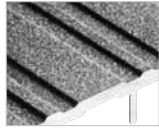









| Active STC Rating | Level Of Speech Heard                |
|-------------------|--------------------------------------|
| STC-30            | Loud speech understood               |
| STC-35            | Loud speech heard but not understood |
| STC-40            | Loud speech audible as a murmur      |
| STC-45            | Some loud speech barely audible      |
| STC-48            | Hearing strained to hear loud speech |
| STC-50            | Loud speech not audible              |

## Barrier-Free Systems



PEMKO offers many products, including modular ramps, thresholds and floor treads, that help you meet the requirements of the Americans with Disabilities Act (ADA) as outlined in the Americans with Disabilities Act Accessibility Guidelines (ADAAG-2010 amended); ICC /ANSI A117.1-2009 Standard Accessible and Usable Buildings and Facilities; any of the various Uniform Building Codes; or state access codes (e.g. California Building Code, Title 24).

The following table shows which PEMKO products comply with the ADAAG and ICC /ANSI standard and also notes their respective sections.

| ICC / ANSI A117.1 (ADAAG)   | PEMKO Recommendation  |
|---|---|
| 302 (4.5) Floor or Ground Surfaces.<br>302.1 (4.5.1) General. "shall be slip resistant"<br><br><i>Skid resistant.</i>  | <b>General: "slip-resistant" PemKote™ non-slip</b><br><ul style="list-style-type: none"> <li>PemKote™ (finish code: "K") is a rugged abrasive finish of nickel-aluminum composite</li> <li>PemKote™ provides safety in environments used by youths and people with disabilities</li> <li>For complete information, see the Modular Ramps section</li> </ul> <br><i>PemKote™: skid resistant surface.</i>   |
| 302.2 (4.5.3) Carpet. "Exposed edges of carpet... shall have trim along the entire length of the exposed edge. Trim shall comply with Section 303"  | <br>Note: See Commercial Thresholds section (page CT-23) for more options.  |
| 303 (4.5) Changes in Level  |   |
| 303.2 (4.5.2) Vertical. "Changes in level of ¼" (6mm) high maximum shall be beveled with a slope not steeper than 1:2"  | <br>Note: See Commercial Thresholds section (pages CT21 - CT22) for more options.  |
| 303.3 (4.5.2) Beveled. "Changes in level between ¼" (6mm) high minimum and ½" (13mm) high maximum shall be beveled with a slope not steeper than 1:2"   | <br>Note: See Commercial Thresholds section (pages CT-2 - CT-7) for more options.  |
| 303.4 (4.5.2) Ramped. "Changes in level greater than ½" (13mm) shall be ramped and comply with Section 405 (4.8)"   | <ul style="list-style-type: none"> <li>Assemblies accommodate ½" to 2¼" floor offsets in meeting the 1:12 slope requirements of the "Americans with Disabilities Act"</li> <li>Rubber ramp component assemblies meet the same requirements.</li> <li>Answer the needs of architects, specifiers, building owners, installers, and most importantly, physically challenged people</li> <li>For use in schools, hospitals, stadiums, offices, restaurants, hotels, airports, and more</li> <li>For complete information, see the Modular Ramps section</li> </ul>  |
| 404 (4.13) Doors and Doorways.<br>404.2.5 (4.13.8) Thresholds at Doorways. "...shall be ½" high maximum...shall comply with Sections 302 and 303"   | <br>Note: See Commercial Thresholds section (pages CT2 - CT-7, and CT-13) for more options.   |
| 404.2.9 (4.13.11) Door-Opening Force  |   |
| 405 (4.8) Ramps<br>405.2 (4.8.2) Slope. "Ramp runs shall have a running slope not steeper than 1:12"<br><br>(Note: Some exceptions apply to this with respect to existing buildings having space limitations. Consult PEMKO for specific applications.) | <br>Note: See Modular Ramp section (pages MR-2 - MR-10) for more options.   |
| 504 (4.9) Stairways<br>504.4 Tread Surface<br>504.5 (4.9.3) Nosings   | <br><br>Note: See Floor Treads section (pages CT-21-CT-22) and Floor Molding, Trim section (page FM-2) for more options.  |





# PemkoHinge™

## Continuous Geared Aluminum Hinges

### CONTENTS:

|  |       |
|--|-------|
| What is PemkoHinge™ .....                            | PH-2  |
| PemkoHinge™ Attributes/Design Features.....          | PH-2  |
| Ordering Chart.....                                  | PH-2  |
| BHMA Certification Program .....                     | PH-3  |
| Hospital Tip .....                                   | PH-3  |
| Cycle Requirements.....                              | PH-3  |
| Weight Bearing.....                                  | PH-3  |
| UL Fire Labeling.....                                | PH-3  |
| Electrical Modifications.....                        | PH-4  |
| Options For Electrically Modified PemkoHinge™ .....  | PH-4  |
| X-Series PemkoHinge™ .....                           | PH-5  |
| Offset Hinge .....                                   | PH-6  |
| Full-Mortise Hinges.....                             | PH-7  |
| Special Full-Mortise Hinges.....                     | PH-8  |
| Kawneer Full-Mortise Hinges.....                     | PH-9  |
| Raised Gear Hinges.....                              | PH-9  |
| Full-Mortise Safety Hinges.....                      | PH-10 |
| Wide Throw Full-Mortise Hinges.....                  | PH-11 |
| Wide Throw Half-Surface Hinges.....                  | PH-11 |
| Half-Mortise Hinges.....                             | PH-12 |
| Full Surface Center Pivot Hinge.....                 | PH-13 |
| Full Surface Balanced Pivot Hinge.....               | PH-13 |
| Full-Surface Hinges.....                             | PH-13 |
| Aluminum Hinges For Aluminum Doors Under 90 lbs..... | PH-14 |
| Full Mortise Residential Hinges.....                 | PH-14 |
| Firepins™ .....                                      | PH-15 |

### INDEX:

| <u>PRODUCT</u> | <u>PAGE</u> | <u>PRODUCT</u> | <u>PAGE</u> | <u>PRODUCT</u> | <u>PAGE</u> |
|----------------|-------------|----------------|-------------|----------------|-------------|
| AL_FM.....     | PH-14       | FS.....        | PH-13       | RS175.....     | PH-14       |
| AL_FS.....     | PH-14       | FS_BP.....     | PH-12       | SPFM.....      | PH-8        |
| FM.....        | PH-7        | FS_CP.....     | PH-13       | SPFM_SLF.....  | PH-8        |
| FM_RG.....     | PH-9        | HM.....        | PH-12       | SPFM_SLI.....  | PH-8        |
| FM_SF.....     | PH-10       | HS.....        | PH-12       | WT_FM.....     | PH-11       |
| FM_SLF.....    | PH-7        | HS_SF.....     | PH-12       | WT_HS.....     | PH-11       |
| FM_SLF138..... | PH-14       | K_FM.....      | PH-9        | XF.....        | PH-5        |
| FM_SLI.....    | PH-7        | OS_FM.....     | PH-6        | XM.....        | PH-5        |
| FM_SLISF.....  | PH-10       | OS_HS.....     | PH-6        | X25M.....      | PH-5        |

## What is PemkoHinge™?

PemkoHinge™ consists of two full-height, paired and geared leaves. Each geared leaf rotates evenly from top to bottom riding on proprietary polymer blended bearings. The geared leaves and bearings are held together by a full-length channel cap. This assembly retains the smooth, clean lines of the door and frame, while easily supporting heavy vertical loads.

## PemkoHinge™

### SECURITY, SAFETY, PRIVACY, LOW WEAR AND TEAR

#### PemkoHinge™ Attributes:

- With a continuous hinge, typical alignment problems (such as door sag and binding) are eliminated
- The continuous hinge distributes load stress uniformly along the full length of the door and frame
- The gear design of the continuous hinge ensures symmetrical operation of each leaf
- ½ lb. or less operating force required to operate most doors, regardless of size
- Low operating force feature makes continuous hinges ideal for doors used by the physically challenged
- The continuous hinge, when installed on standard steel doors and frames, requires no additional reinforcement. However, hinge preps must have fillers installed for proper operation
- A high degree of security can be achieved for exterior openings or restricted spaces by using a continuous hinge. With the geared construction and the full-length channel cap, the common gap between the door and frame is sealed, which provides security against prying
- In addition, the continuous full-height hinge cap protects against pinching fingers in doors in public areas, particularly those where children are present
- Sight proof design of the continuous hinge provides privacy for lavatories, executive offices, or file rooms

#### PemkoHinge™ Superior Design:

- PemkoHinge™ has increased critical stress points of the hinge leaf extrusions providing additional strengths and rigidity to the completed product
- PemkoHinge™ bearing design eliminates premature wear, guarantees proper alignment, and requires fewer bearings to carry more weight. The bearing is produced for PEMKO using a chemical composition and injection process that provides a stronger, more accurately formed bearing
- PemkoHinge™ is designed with inter-meshing gear segments in the hinge which provide 50% more bearing surface resulting in less wear
- PemkoHinge™ goes through the anodizing process after completing all machining. This means the machined aluminum surfaces that are in direct contact with the bearing have a smoother, harder surface, thereby reducing wear
- PemkoHinge™ maintains uniform bearing spacing for the full length of the hinge even when lengths exceed 10'
- PemkoHinge™ uses #12-24 size fasteners instead of #10. (#12 Tek fasteners available upon request)
- PemkoHinge™ commercial models are ideal for use on lead lined doors (i.e. hospital X-ray rooms), without requiring special screw locations

### How To Order (Hinge Part Designations)

Example: **D** | **SPFM** | **85** | **SLI** | **HD1**

| Finishes  | Hinge Types           |              | Lengths                          | Hinge Options |                | Capacity                      |                                |
|-----------|-----------------------|--------------|----------------------------------|---------------|----------------|-------------------------------|--------------------------------|
| <b>BL</b> | Black Anodized        | <b>AL_FM</b> | Aluminum Full-Mortise            | <b>79</b>     | <b>"blank"</b> | Standard                      | <b>"blank"</b> Standard Duty   |
| <b>C</b>  | Clear Anodized        | <b>AL_HS</b> | Aluminum Half-Surface            | <b>83</b>     | <b>CP</b>      | Center Pivot                  | <b>HD1</b> Heavy Duty, Grade 1 |
| <b>D</b>  | Dark Bronze Anodized  | <b>FM</b>    | Full-Mortise                     | <b>85</b>     | <b>RG</b>      | Raised Gear                   | <b>HD3</b> Heavy Duty, Grade 3 |
| <b>G</b>  | Gold Anodized         | <b>FS</b>    | Full-Surface                     | <b>95</b>     | <b>SF</b>      | Safety                        |                                |
| <b>PW</b> | Painted White         | <b>HS</b>    | Half-Surface                     | <b>120</b>    | <b>SL</b>      | Short Leaf (residential only) |                                |
| <b>SN</b> | Satin Nickel Anodized | <b>RS138</b> | Full-Mortise Residential: 1-3/8" |               | <b>SLF</b>     | Short Leaf Flush              |                                |
|           |                       | <b>RS175</b> | Full-Mortise Residential: 1-3/4" |               | <b>SLI</b>     | Short Leaf Inset              |                                |
|           |                       | <b>SPFM</b>  | Special Full-Mortise             |               |                |                               |                                |
|           |                       | <b>WT_FM</b> | Wide Throw Full-Mortise          |               |                |                               |                                |
|           |                       | <b>WT_HS</b> | Half-Surface                     |               |                |                               |                                |

## BHMA Certification Program

This program was developed to establish product classifications through performance testing. Three grades (1, 2 and 3) of product classifications were established for continuous hinges, with three weight groups (150, 300 and 600) for each grade: Grade 3 being the lowest and Grade 1 being the highest classification. Each classification and weight group has a set of established cycle requirements and wear characteristics, with a minimum for vertical and lateral wear to establish a listing under a weight and grade classification, after the set number of cycles is completed.

Maximum Vertical Wear Allowable:

- Grade 3 = 0.105"
- Grade 2 = 0.030"
- Grade 1 = 0.020"



Maximum Lateral Wear Allowable:

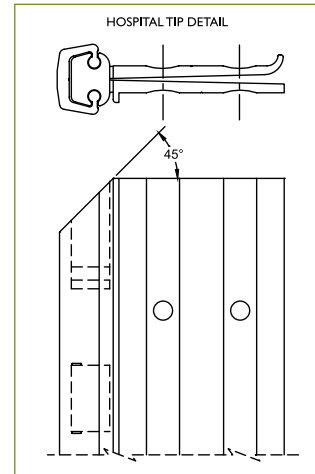
- All Grades = 0.062"

Cycle requirements range from Grade 3-600 requiring 100,000 cycles through Grade 1-150 requiring 2.5 million cycles.

For more information on certification testing or other product certification programs, please contact PEMKO Customer Service.

## Hospital Tip

A special modification is available for certain hinges which provides an extra bearing at the top of the gear cap, leaving no opening. A 45° angled cut on the gear cap and leaf covers provides a safe environment for hospitals and correctional facilities.



## Cycle Requirements - Per BHMA Standard ANSI/BHMA A156.26-2006

- Standard Duty Hinges (excluding \_RS175 & \_RS138) conform to Grade 3-150 and Grade 3-300
- HD3 Hinges conform to Grade 3-150, Grade 3-300, and Grade 3-600
- HD1 Hinges conform to Grade 2-150, Grade 1-300, and Grade 1-600
- 1100 Series and X-Series Hinges conform to Grade 1-150

## Weight Bearing - Per BHMA Standard ANSI/BHMA A156.26-2006

- This information pertains to all commercial models
- Heavier weight can be carried; please contact Customer Service for applications other than those listed in the chart
- Special hinge reinforcements are not required as hollow metal door and frame manufacturers' standard are acceptable. Removal of hinge reinforcements in the door and frame is not advised. Hinge preps must have fillers installed

|  | Hinge Size  | Number of Bearings | Door Weight |
|--|-------------|--------------------|-------------|
| <b>Residential Hinges</b>                | 79" and 83" | 7                  | 90 lbs.     |
| <b>Standard Duty Hinges</b>              | 83" and 85" | 14                 | 280 lbs.    |
|  | 95"         | 16                 | 320 lbs.    |
|  | 120"        | 20                 | 400 lbs.    |
| <b>Heavy Duty (HD1 &amp; HD3) Hinges</b> | 83" and 85" | 27                 | 540 lbs.    |
|  | 95"         | 31                 | 620 lbs.    |
|  | 120"        | 39                 | 780 lbs.    |

## UL Fire Labeled 3-Hour



- All models designated with these symbols are tested and certified by Underwriters Laboratories Inc.® (U.S.A. and Canada) to standards UL10B, UL10C and UBC7.2 (positive pressure) for up to and including a 3-Hour Fire Listing for all 4'0" x 10'0" and 8'0" x 10'0" door and frame assemblies. Fire listing certifications apply to all approved hollow metal and wood door assemblies in drywall or masonry wall construction
- Special FirePins™ are only required on 3-Hour assemblies. Please refer to page PH-15 for illustrations and information regarding the application of PEMKO FirePins™

- All hinges are supplied with standard fastener kits. Replacement kits/individual fasteners may be purchased separately
- TEK/TORX fasteners may be purchased separately. Full-mortise hinges require 40 each; half-surface hinges require 20 each; full-surface hinges require 12 each
- All half-surface and full-surface hinges are supplied with a snap cover for the door leaf. Replacement snap covers may be purchased separately
- Rain caps may be purchased separately

## Electrically Modified Continuous Geared Hinges

### Electrical Modifications

- PEMKO has vastly improved the cycle performance of the electrically modified hinge. Performance testing has shown that 3,000,000+ cycles can now be achieved using PEMKO's exclusive polyurethane-coated 4, 8, or 12 TRI-FLEX titanium copper alloy cables. Each cable is capable of carrying 16 amps continuous @ 24 volts in-rush for 820 milliseconds. When ordering, please use the "shorthand code" shown in the chart page PH-2. For example, if you require a Clear Anodized standard Full-Mortise hinge at 83" with Quick Connect transfer - 4-wire, modified 36 1/4" from the top, right hand, you would order a CFM83 with QC4 at 36 1/4" from top - RH

### Options for Electrically Modified Continuous Geared Hinges

These options allow variable degrees of service to be performed at the specific locations of the current carrying cables by installing a serviceable/removable hinge which includes a removable module (SER), or installing a hinge with a pivoting accessible feature (ACC).

- Both options (SER & ACC) are available in 4 Wire (QC4), 8 Wire (QC8), 12 Wire (QC12) variants
- Available on FM, XM, XF, XI, X25M, FS, HS, KFM, SLF & SLI Models

### Serviceable/Removable (SER) Module

The hinge is furnished to be installed in three sections allowing the current carrying cable to be serviced or replaced without removing the door from the frame. Additionally, the SER option allows the current carrying cables to be safely stored or delivered to the electrician or security contractor prior to the installation of the electrified hardware, eliminating the necessity of the electrician or security contractor being present when the doors are being hung.

**Product Numbering Example:** CFM83HD x QC4-SER

### Accessible (ACC) Feature

The hinge is furnished to be installed in a single section with the leaves modified to pivot at the location of the current carrying cable and allow access to the cables and connected wiring.

**Product Numbering Example:** CFM83HD x QC4-ACC

### Concealed Magnetic Monitoring (CM)

Concealed magnetic monitoring is also available with the SER and ACC options. Magnetic monitor is supplied with monitor and an adjustable magnet.

**Product Numbering Example:** CFM83HD x CM-SER  
CFM83HD x CM-ACC

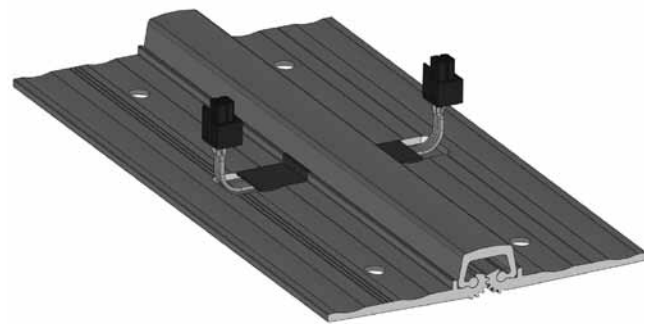
### Customer Information Needed:

- Specify handing and prep location if other than PEMKO standard

### Included:

- Molex connectors with ElectroLynx® are warranted for five (5) years. Molex connectors are included at each leaf for ease of electrical connection
- Each electrical prep is supplied with one 48" and one 120" cable lead

Hardwiring Made Easy™



|   |                  |
|---|------------------|
| Quick Connect Transfer For Full Mortise (FM) Hinges | QC4*<br>4 WIRE   |
|   | QC8*<br>8 WIRE   |
|   | QC12*<br>12 WIRE |

|   |                    |
|---|--------------------|
| Quick Connect Transfer For Full Surface (FS) & Half Surface (HS) Hinges | QC4_S*<br>4 WIRE   |
|   | QC8_S*<br>8 WIRE   |
|   | QC12_S*<br>12 WIRE |

| * Electrical Modifications Options Code        |    |
|--|----|
| Additional Length of Quick Connect Cable Leads |    |
| Adjustable Concealed Magnetic Monitoring       | CM |
| Power Transfer - Prep Only                     | PT |

## X-Series PEMKO Hinge

**NEW!**

- Thicker leaves than traditional continuous geared hinge and requires no additional clearance
- New X-Series hinge allows for a deeper cavity for electrical wires when ordering an electrified hinge

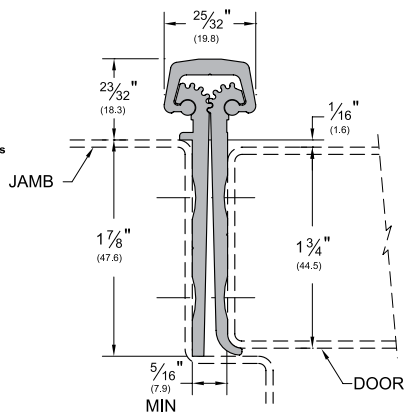
### Full Mortise

#### XM\_

AVAILABLE FINISHES: C, D



LISTED  
Door Hinges  
76Y2



### Full Mortise for 2 1/2" Thick Door

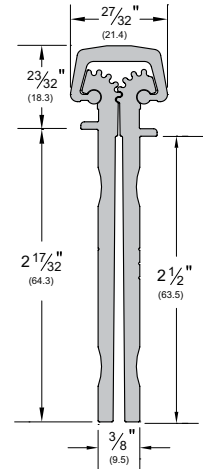
- Wider hinge leaves to accommodate doors 2 1/2" thick

#### X25M\_

AVAILABLE FINISHES: C, D



LISTED  
Door Hinges  
76Y2



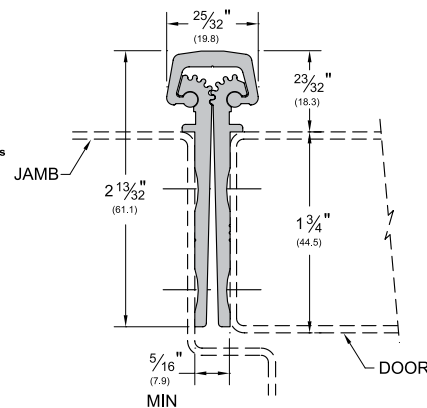
### Short Leaf Flush

#### XF\_

AVAILABLE FINISHES: C, D



LISTED  
Door Hinges  
76Y2



### Short Leaf Inset

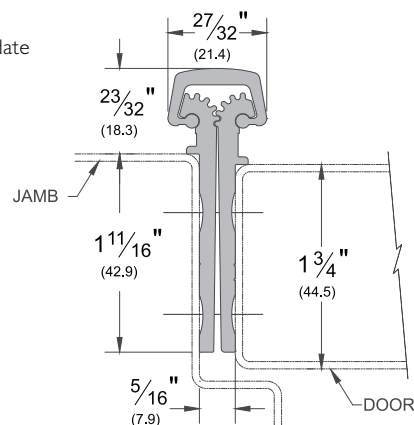
- Wider hinge leaves to accommodate doors 2 1/2" thick

#### XI\_

AVAILABLE FINISHES: C, D



LISTED  
Door Hinges  
76Y2



AVAILABLE FINISHES FOR PRODUCTS SHOWN ON THIS PAGE (see General Information section for finish chart)  
C (Clear Anodized) D (Dark Bronze Anodized)

**NEW!**

## Offset Hinges

- Used when the door needs to swing out of the opening

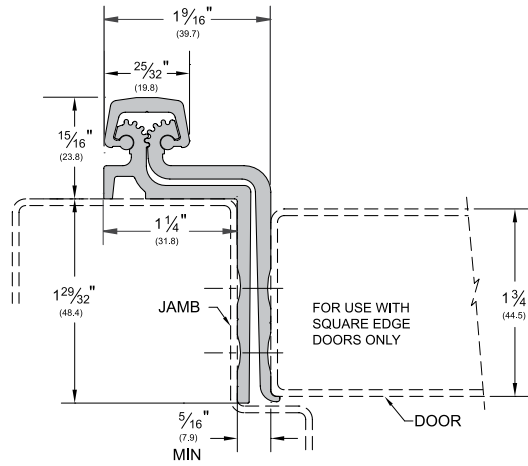
### Offset Full Mortise

**\_OS\_FM**

AVAILABLE FINISHES: C, D



LISTED  
Door Hinges  
76Y2



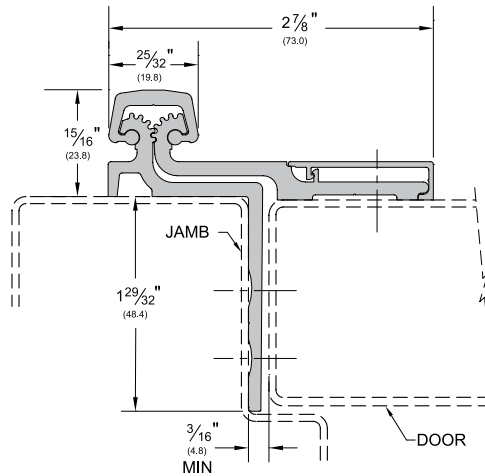
### Offset Half Surface

**\_OS\_HS**

AVAILABLE FINISHES: C, D



LISTED  
Door Hinges  
76Y2



AVAILABLE FINISHES FOR PRODUCTS SHOWN ON THIS PAGE (see General Information section for finish chart)  
C (Clear Anodized) D (Dark Bronze Anodized)



## Full-Mortise Hinges

- Full-Mortise units are designed mainly for new door applications and are applied to the frame rabbet and door face to conceal both leaves

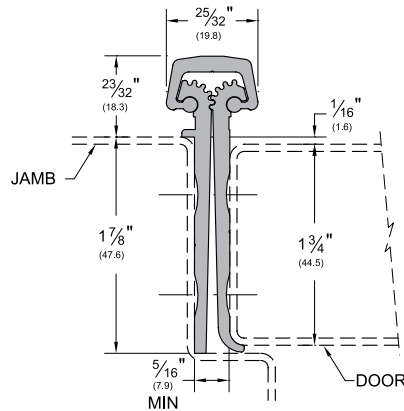
### Full Mortise

#### \_FM

AVAILABLE FINISHES: BL, C, D, G, PW, SN



LISTED  
Door Hinges  
76Y2



### Full Mortise Short Leaf Inset

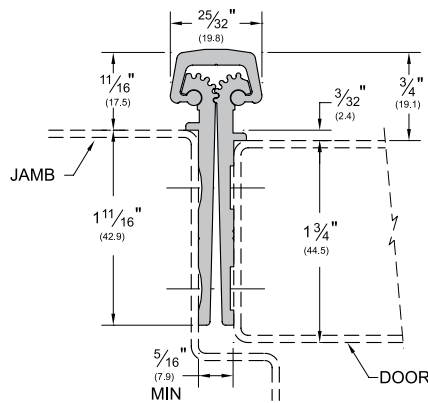
- Designed for use with doors which range between 1 3/4" to 2 1/4"
- Designed for use with hollow metal frames where the inset conforms to S.D.I. specifications for aligning doors and frames

#### \_FM\_SLI

AVAILABLE FINISHES: BL, C, D, G, PW, SN



LISTED  
Door Hinges  
76Y2



### Full Mortise Short Leaf Flush

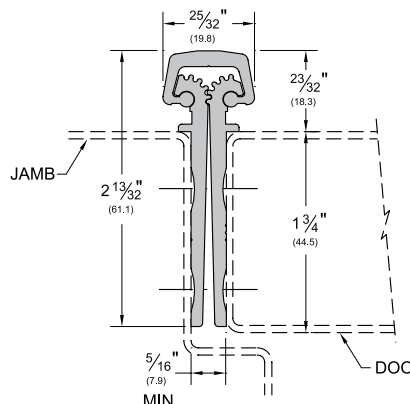
- Designed for use with doors which range between 1 3/4" to 2 1/4"
- Also used for bifold applications to keep the faces of the doors flush (not illustrated)

#### \_FM\_SLF

AVAILABLE FINISHES: BL, C, D, G, PW, SN



LISTED  
Door Hinges  
76Y2



AVAILABLE FINISHES FOR PRODUCTS SHOWN ON THIS PAGE (see General Information section for finish chart)  
C (Clear Anodized) D (Dark Bronze Anodized) SN (Satin Nickel Anodized)  
BL (Black Anodized) and PW (Painted White) are special finishes available upon request.

## Special Full-Mortise Hinges

- Special Full-Mortise units are designed for door and frame applications where the hinge leaf may interfere with the weatherstrip, thermal break, or applied stop of the frame
- Special Full-Mortise hinges are applied to the frame rabbet and door face to conceal both leaves

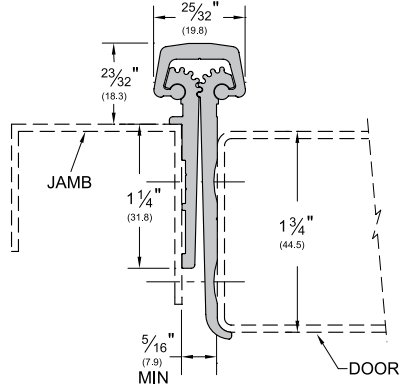
### Special Full-Mortise

#### \_SPFM

AVAILABLE FINISHES: BL, C, D, PW, SN



LISTED  
Door Hinges  
76Y2



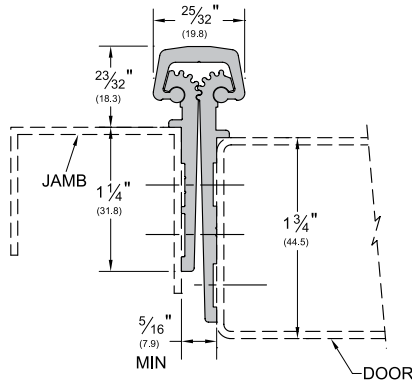
### Special Full Mortise Short Leaf Inset

#### \_SPFM\_SLI

AVAILABLE FINISHES: BL, C, D, G, PW, SN



LISTED  
Door Hinges  
76Y2



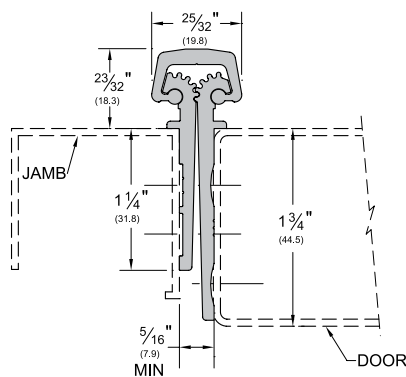
### Special Full Mortise Short Leaf Flush

#### \_SPFM\_SLF

AVAILABLE FINISHES: BL, C, D, G, PW, SN



LISTED  
Door Hinges  
76Y2



AVAILABLE FINISHES FOR PRODUCTS SHOWN ON THIS PAGE (see General Information section for finish chart)

C (Clear Anodized) D (Dark Bronze Anodized) SN (Satin Nickel Anodized)

BL (Black Anodized) and PW (Painted White) are special finishes available upon request.

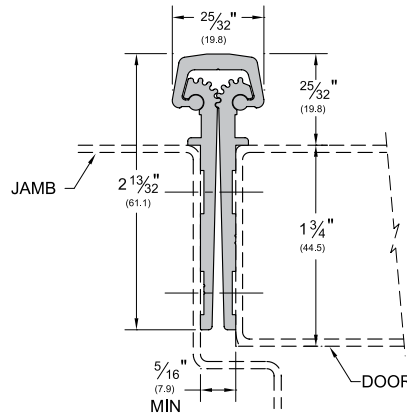
## Full-Mortise Hinge

- Like our other Full-Mortise units, the Kawneer Hinges are designed mainly for new door applications and are applied to the frame rabbet and door face to conceal both leaves
- Developed for the Kawneer "Tuffline" series of aluminum doors

### Kawneer Full Mortise

#### K\_FM

AVAILABLE FINISHES: BL, C, D, PW, SN



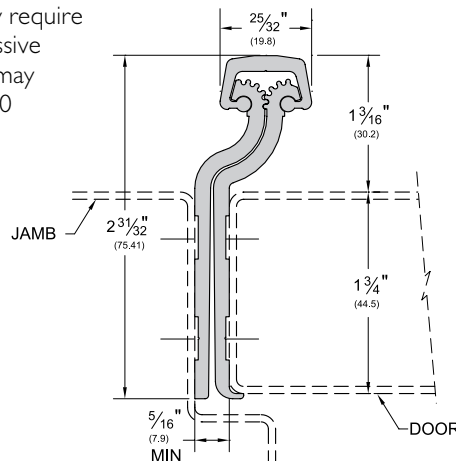
## Raised Gear Hinge

- Designed for wood or metal frames with applied facing or other decorative moldings and to the frame rabbet and door face to conceal both leaves
- Certain door/frame conditions may require an extra  $\frac{1}{32}$ " to  $\frac{1}{16}$ " clearance. Excessive clearance on fire rated assemblies may violate the requirements of NFPA80

### Raised Gear Full Mortise

#### \_FM\_RG

AVAILABLE FINISHES: BL, C, D, PW, SN



AVAILABLE FINISHES FOR PRODUCTS SHOWN ON THIS PAGE (see General Information section for finish chart)  
C (Clear Anodized) D (Dark Bronze Anodized) SN (Satin Nickel Anodized)  
BL (Black Anodized) and PW (Painted White) are special finishes available upon request.

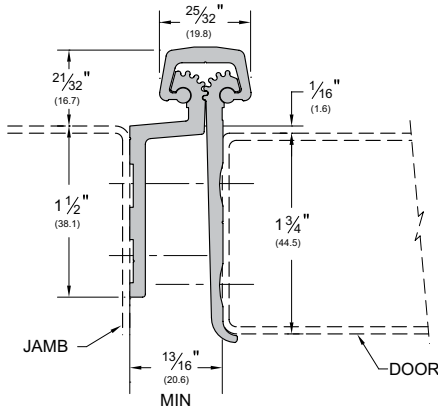
## Full-Mortise Safety Hinge

- Full-Mortise Safety units are designed mainly for new door applications in child care and nursing facilities
- These hinges require extra clearance and are applied to conceal both leaves

### Full-Mortise Safety

**\_FM\_SF**

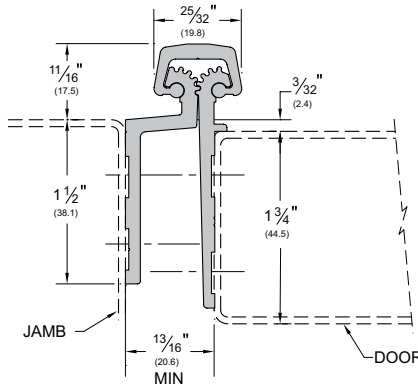
AVAILABLE FINISHES: BL, C, D, PW, SN



### Full-Mortise Short Leaf Inset Safety

**\_FM\_SLISF**

AVAILABLE FINISHES: BL, C, D, PW, SN



## Full Mortise Hinge for 1 3/8" Door

- More bearings than \_RSI38 hinge to work in commercial grade application
- Shorter leaves for thinner doors

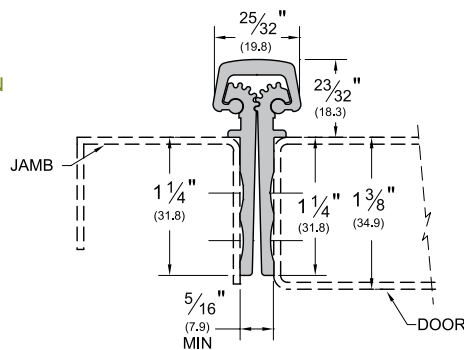
### Full Mortise

**FM\_SLF138**

AVAILABLE FINISHES: BL, C, D, PW, SN



LISTED  
Door Hinges  
76Y2



AVAILABLE FINISHES FOR PRODUCTS SHOWN ON THIS PAGE (see General Information section for finish chart)

C (Clear Anodized) D (Dark Bronze Anodized) SN (Satin Nickel Anodized)

BL (Black Anodized) and PW (Painted White) are special finishes available upon request.

## Wide Throw Full-Mortise Hinge

- Wide Throw Full-Mortise units are designed mainly for new door applications that require extra clearance due to special frame, door or wall design, and are applied to the frame rabbet and door face to conceal both leaves
- More clearance between the door and frame allows your door to open 180°
- Available only in heavy duty to support larger doors

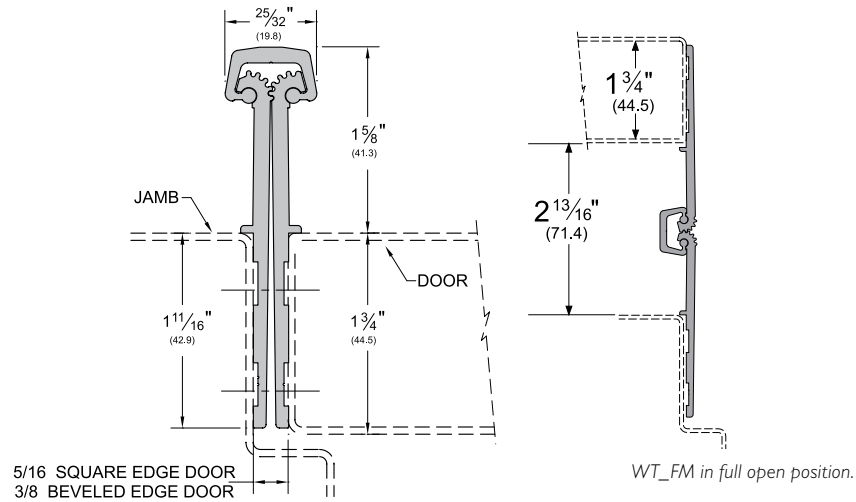
### Wide Throw Full Mortise

#### WT\_FM

AVAILABLE FINISHES: C, D, G



LISTED  
Door Hinges  
76Y2



## Wide Throw Half-Surface Hinge

- Wide Throw Half-Surface units are designed mainly for retrofit applications that require extra clearance due to special frame, door, or wall design and are applied to the frame rabbet and the exposed door surface
- Wide Throw Half-Surface units combine the versatility of the Half-Surface unit and the clearance of a Wide Throw hinge into one

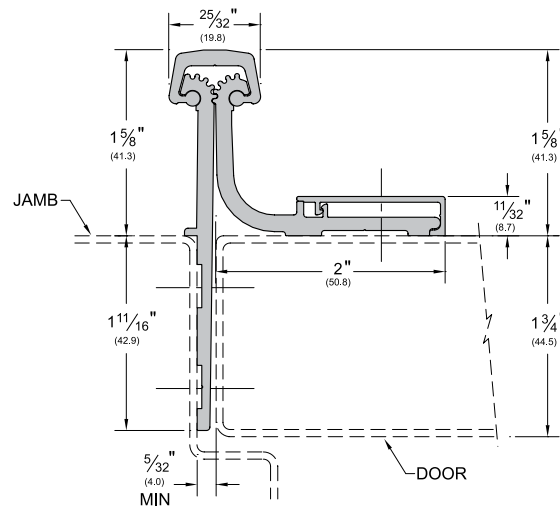
### Wide Throw Half Surface

#### WT\_HS

AVAILABLE FINISHES: C, D, G



LISTED  
Door Hinges  
76Y2



AVAILABLE FINISHES FOR PRODUCTS SHOWN ON THIS PAGE (see General Information section for finish chart)  
C (Clear Anodized) D (Dark Bronze Anodized) G (Gold Anodized)

## Half-Surface Hinge

- Half-Surface units are designed mainly for retrofit work, and are applied to the exposed surface of the door and the frame rabbet

- Designed for use with hollow metal frames, where the inset conforms to S.D.I. specifications for aligning doors and frames
- Allows for adjustments in order to properly align edge of the door to the frame

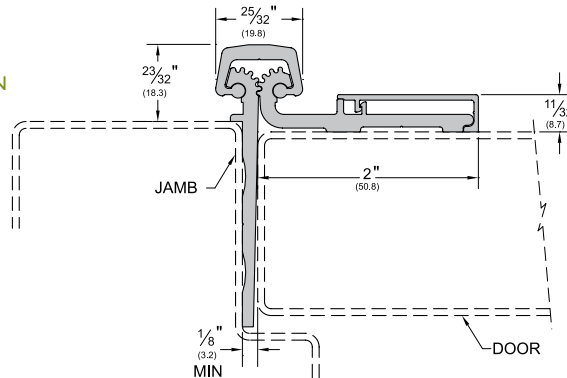
### Half Surface

#### \_HS

AVAILABLE FINISHES: BL, C, D, PW, SN



LISTED  
Door Hinges  
76Y2



## Half-Surface Safety Hinge

- Half-Surface Safety units are designed mainly for retrofit work in child care and nursing facilities and are applied to the exposed surface of the door and the frame rabbet

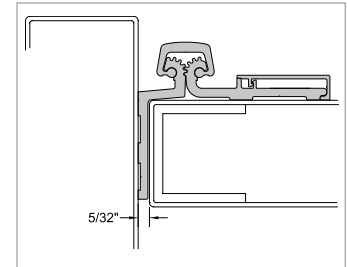
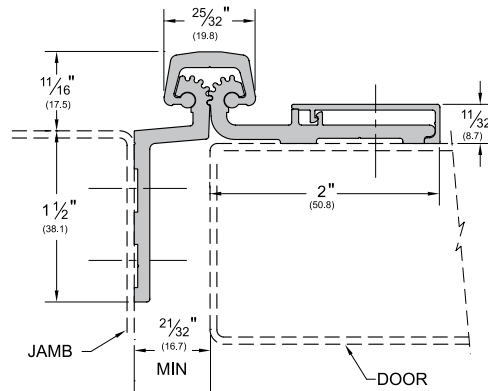
### Half-Surface Safety

#### \_HS\_SF

AVAILABLE FINISHES: BL, C, D, PW, SN



LISTED  
Door Hinges  
76Y2



HS\_SF in deep frame application.  
HS\_SF is no longer a safety hinge in this application.

## Half-Mortise Hinge

- Half-Mortise units are designed mainly for retrofit work and are applied to the exposed surface of the frame and the door edge

- Designed to require only 5/32" clearance instead of 5/16" and also allows for adjustments to properly align edge of the door to the frame face

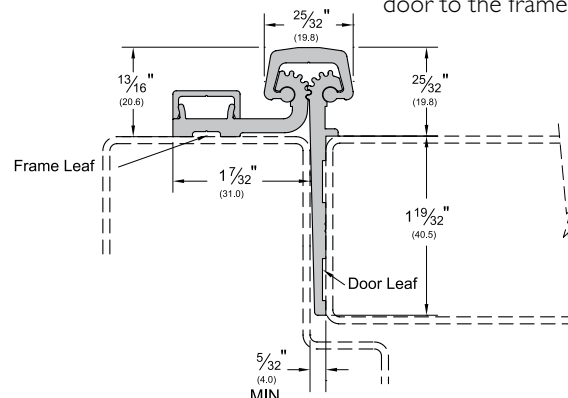
### Half-Mortise

#### \_HM

AVAILABLE FINISHES: C, D, G



LISTED  
Door Hinges  
76Y2



AVAILABLE FINISHES FOR PRODUCTS SHOWN ON THIS PAGE (see General Information section for finish chart)

C (Clear Anodized) D (Dark Bronze Anodized) SN (Satin Nickel Anodized)

BL (Black Anodized) and PW (Painted White) are special finishes available upon request.



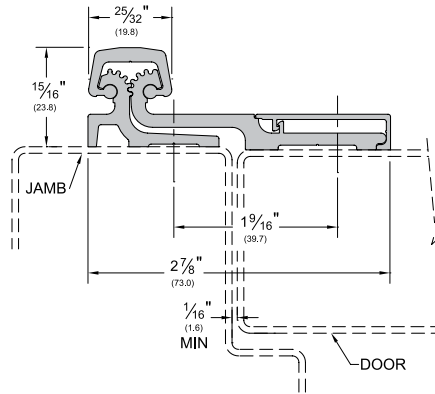
## Standard Full-Surface Hinge

- Full-Surface units are designed mainly for retrofit work, and are applied to the exposed surfaces of the door and frame

### Full Surface

#### \_FS

AVAILABLE FINISHES: BL, C, D, PW, SN



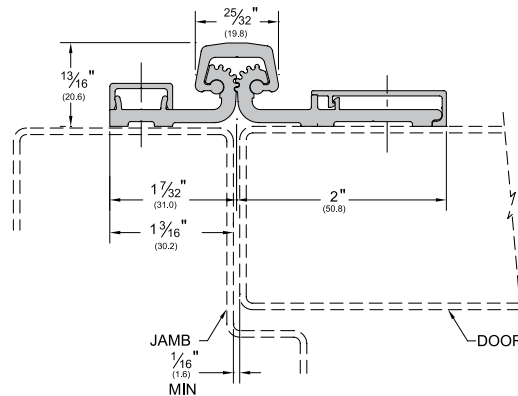
## Full-Surface Center Pivot Hinge

- Full-Surface Center Pivot units are designed mainly for retrofit work and are applied to the exposed surfaces of the door and frame
- Full-Surface Center Pivot units easily replace butt hinges since no door or frame adjustments are necessary and are more versatile with restricted frame faces

### Full Surface Center Pivot

#### \_FS\_CP

AVAILABLE FINISHES: BL, C, D, PW, SN



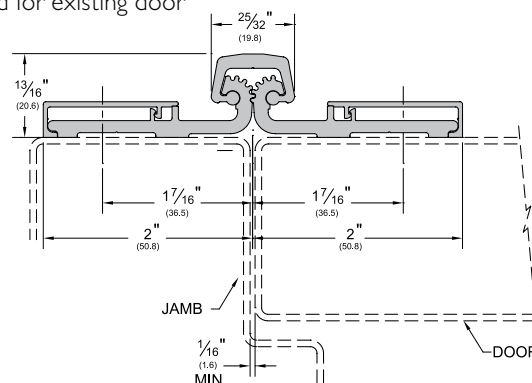
## Full Surface Balanced Pivot Hinge NEW!

- Allows for easy replacement from butt hinges as the pivot point remains the same and no door or frame adjustments are necessary
- No template adjustments are needed for existing door opening/closing devices
- Equal length leaves provide an aesthetic appearance
- Good in a bi-fold application where two doors need to be hinged

### Full Surface Balanced Pivot

#### \_FS\_BP

AVAILABLE FINISHES: BL, C, D, PW, SN



AVAILABLE FINISHES FOR PRODUCTS SHOWN ON THIS PAGE (see General Information section for finish chart)  
C (Clear Anodized) D (Dark Bronze Anodized) SN (Satin Nickel Anodized)  
BL (Black Anodized) and PW (Painted White) are special finishes available upon request.

## Aluminum Hinges For Aluminum Doors Under 90 lbs.

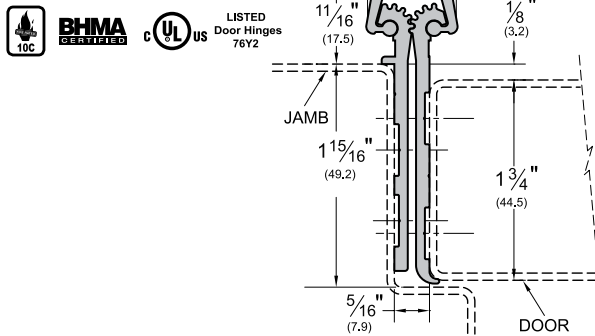
- These aluminum hinges are strictly for use on light weight aluminum doors weighing less than 90 lbs.
- Use in lieu of top/bottom pivots or butt hinges
- Less expensive than standard Full-Mortise hinges when an economical alternative is required
- NOTE: All AL series hinges are excluded from the "Life of The Opening" guarantee, and instead carry a ten (10) year warranty

### Aluminum Full-Mortise

- Aluminum Full-Mortise units are designed mainly for new door applications and are applied to conceal both leaves

#### AL\_FM

AVAILABLE FINISHES: C, D

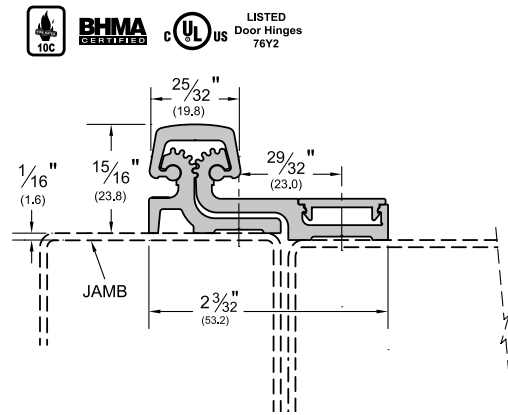


### Aluminum Full-Surface Hinges

- Aluminum Full-Surface units are designed mainly for retrofit work and are applied to the exposed surfaces of the door frame

#### AL\_FS

AVAILABLE FINISHES: C, D

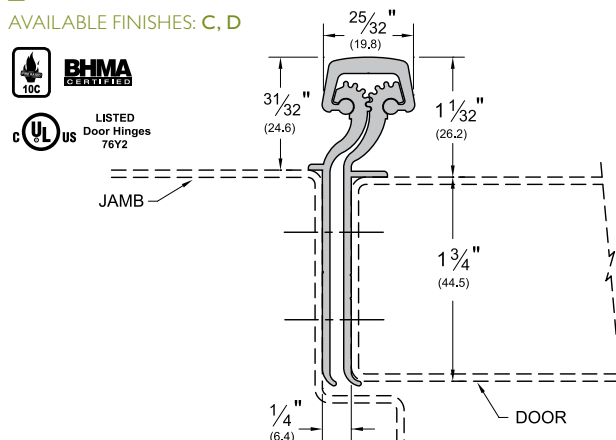


## Full-Mortise Residential Hinges

- Full-Mortise Residential units are designed mainly for new door and frame applications, and are applied to conceal both leaves
- Designed for 1 3/4" MAXIMUM thickness with a weight up to 90 lbs.
- NOTE: All RS series hinges are excluded from the "LIFE OF THE OPENING" guarantee, and instead carry a ten (10) year warranty

#### \_RS175

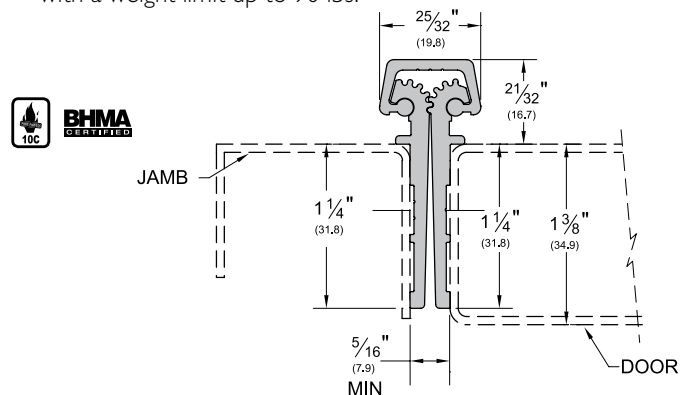
AVAILABLE FINISHES: C, D



#### \_RS138

AVAILABLE FINISHES: C, D

- Shorter leaves for thinner doors
- Designed for doors 1 3/8" thick with a weight limit up to 90 lbs.

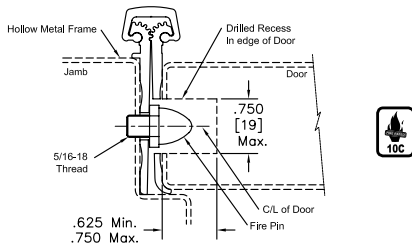


AVAILABLE FINISHES FOR PRODUCTS SHOWN ON THIS PAGE (see General Information section for finish chart)  
C (Clear Anodized) D (Dark Bronze Anodized)

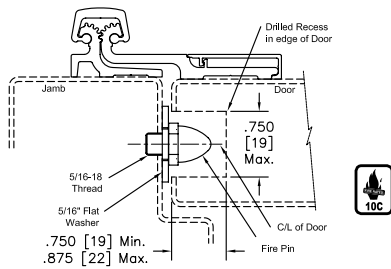
## FirePins For Use With 3-Hour Fire Rated Assemblies

- **FirePins™** are required to achieve 3-hour fire rating
- Although **PemkoHinge™ Continuous Hinges** carry UL Fire Ratings unequalled in the industry, some applications may require the use of **FirePins™**
- **FirePin™** applications fall within the UL guidelines for retro-fitting assemblies in the field. Expensive shop modifications and door/frame reinforcements are not required
- **FirePins™** also add extra security to a door assembly

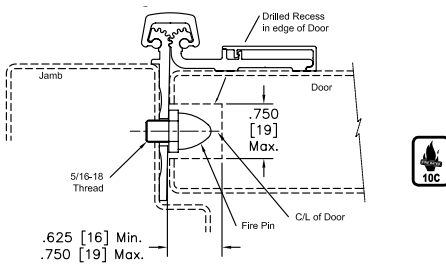
### Full-Mortise Hinges



### Full-Surface Hinges

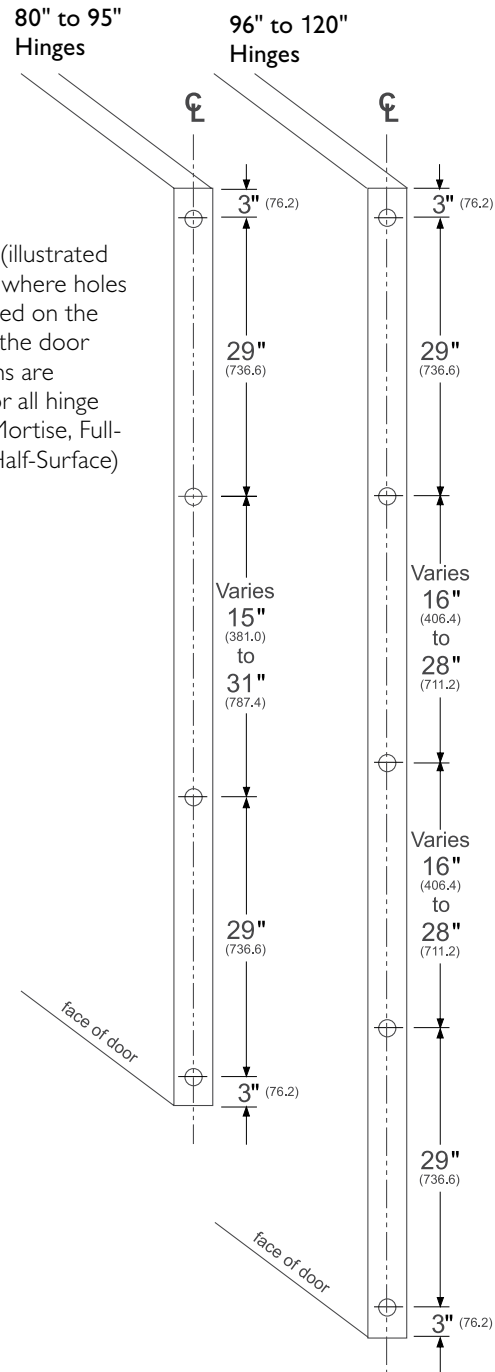


### Half-Surface Hinges

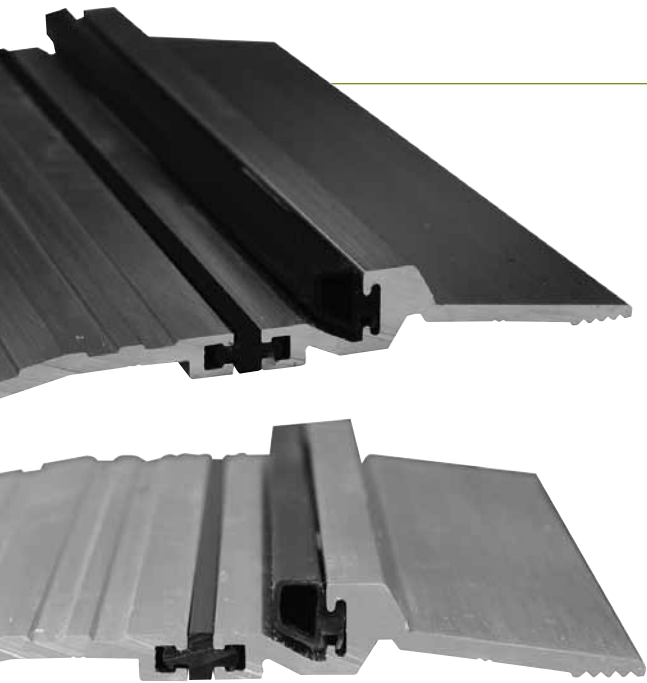


### FirePin Locations

- The locations (illustrated right) indicate where holes should be drilled on the hinge edge of the door
- These locations are appropriate for all hinge models (Full-Mortise, Full-Surface, and Half-Surface)







## COMMERCIAL THRESHOLDS

### CONTENTS:

|   |             |
|---|-------------|
| Saddle Thresholds.....                              | CT-2-CT-7   |
| Half Saddles/Offset Saddles.....                    | CT-8        |
| Stainless Steel Saddles.....                        | CT-9        |
| Thermal Barrier Saddles.....                        | CT-10-CT-11 |
| Stainless Steel Thermal Barrier Threshold.....      | CT-12       |
| Latching Panic Exit Saddles.....                    | CT-13-CT-15 |
| Latching Panic Exit Saddles - Thermal Barrier.....  | CT-16-CT-17 |
| Acoustic Thresholds.....                            | CT-17       |
| Vinyl Thresholds.....                               | CT-18       |
| Adjustable Width Vinyl Thresholds.....              | CT-19       |
| Heavy Duty Thresholds.....                          | CT-20       |
| Modular Heavy Duty Thresholds.....                  | CT-20       |
| Floor Plates/Safety Treads.....                     | CT-21-CT-22 |
| Aluminum Plates.....                                | CT-22       |
| Carpet Separators.....                              | CT-23       |
| Floor Plate Supports/Accessories.....               | CT-24       |
| Elevators.....                                      | CT-24       |
| Threshold Stop Strips.....                          | CT-25       |
| Floor Closer Thresholds/Cover Plate Assemblies..... | CT-26       |

### INDEX:

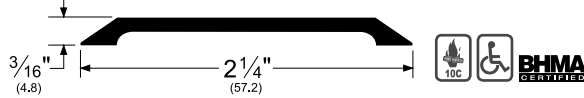
| PRODUCT      | PAGE        | PRODUCT          | PAGE  | PRODUCT          | PAGE        | PRODUCT          | PAGE        | PRODUCT           | PAGE        |
|--------------|-------------|------------------|-------|------------------|-------------|------------------|-------------|-------------------|-------------|
| 14/1.....    | CT-22       | 191.....         | CT-21 | 254SS.....       | CT-9        | 276x270.....     | CT-26       | 2548x170.....     | CT-26       |
| 18/1.....    | CT-22       | 192.....         | CT-21 | 254x4.....       | CT-5, CT-26 | 276x271.....     | CT-26       | 2548x171.....     | CT-26       |
| 151.....     | CT-2        | 193.....         | CT-21 | 254x4_FG.....    | CT-11       | 277.....         | CT-14       | 2549.....         | CT-5        |
| 154.....     | CT-4        | 193x2/195.....   | CT-26 | 254x4SS.....     | CT-12       | 278x224_FGT..... | CT-17       | 2550.....         | CT-5        |
| 154SS.....   | CT-9        | 194.....         | CT-24 | 254x4x170.....   | CT-26       | 279x224_FGT..... | CT-17       | 2727.....         | CT-8        |
| 156.....     | CT-6        | 195.....         | CT-24 | 254x4x171.....   | CT-26       | 282.....         | CT-24       | 2746.....         | CT-6        |
| 157.....     | CT-8        | 196.....         | CT-24 | 254x5_FG.....    | CT-11       | 283.....         | CT-24       | 2746x6.....       | CT-3        |
| 158.....     | CT-8        | 198.....         | CT-6  | 254x226.....     | CT-15       | 290.....         | CT-25       | 2746x6_FG.....    | CT-10       |
| 159.....     | CT-14       | 200.....         | CT-24 | 254x226_FGT..... | CT-16       | 1665.....        | CT-3        | 2748.....         | CT-2, CT-26 |
| 166.....     | CT-4        | 227.....         | CT-7  | 255.....         | CT-7        | 1700.....        | CT-3        | 2748x270.....     | CT-26       |
| 168.....     | CT-75       | 228.....         | CT-21 | 255x5.....       | CT-6        | 1710.....        | CT-4        | 2748x271.....     | CT-26       |
| 169.....     | CT-3        | 229.....         | CT-7  | 255x5_FG.....    | CT-10       | 1715.....        | CT-20       | 2749.....         | CT-3        |
| 170.....     | CT-3        | 230.....         | CT-23 | 255x226.....     | CT-15       | 1716.....        | CT-20       | 2750.....         | CT-3        |
| 171.....     | CT-4        | 236.....         | CT-23 | 255x226_FGT..... | CT-16       | 1717.....        | CT-20       | 19125.....        | CT-22       |
| 172.....     | CT-5        | 246.....         | CT-23 | 256.....         | CT-7        | 1718.....        | CT-20       | 19325.....        | CT-22       |
| 173.....     | CT-2        | 252.....         | CT-7  | 256x6.....       | CT-6        | 1719.....        | CT-20       | 2006STCxQ380..... | CT-17       |
| 174.....     | CT-23       | 252SS.....       | CT-9  | 256x6_FG.....    | CT-10       | 1842.....        | CT-25       | 2007STCxQ380..... | CT-17       |
| 175.....     | CT-4        | 252x2_FG.....    | CT-11 | 257x259.....     | CT-26       | 1855.....        | CT-14       | 2008STCxQ380..... | CT-19       |
| 175SS.....   | CT-9        | 252x226.....     | CT-15 | 270.....         | CT-2        | 1875.....        | CT-8        | ADJ232V8.....     | CT-19       |
| 176.....     | CT-5, CT-26 | 252x226_FGT..... | CT-16 | 271.....         | CT-2        | 1877.....        | CT-8        | ADJ232V14.....    | CT-19       |
| 176x170..... | CT-26       | 252x2SS.....     | CT-12 | 272.....         | CT-2        | 1951.....        | CT-23       | E197.....         | CT-21       |
| 176x171..... | CT-26       | 252x3SS.....     | CT-12 | 273.....         | CT-6        | 2001.....        | CT-13       | V232.....         | CT-18       |
| 177.....     | CT-14       | 252x4SS.....     | CT-12 | 273x3_FG.....    | CT-10       | 2002.....        | CT-13       | V2320.....        | CT-18       |
| 179.....     | CT-13       | 252x3_FG.....    | CT-11 | 273x4_FG.....    | CT-10       | 2005.....        | CT-13       | V2322.....        | CT-18       |
| 181.....     | CT-15       | 253.....         | CT-7  | 274x224_FGT..... | CT-17       | 2006.....        | CT-13       | V2325.....        | CT-18       |
| 182.....     | CT-8        | 253SS.....       | CT-9  | 274.....         | CT-6        | 2007.....        | CT-13       | V2326.....        | CT-18       |
| 183.....     | CT-24       | 252x3_FG.....    | CT-11 | 273x224_FGT..... | CT-16       | 2266.....        | CT-21       |                   |             |
| 184.....     | CT-25       | 253x3SS.....     | CT-12 | 274x4.....       | CT-3-CT-26  | 2286.....        | CT-22       |                   |             |
| 185.....     | CT-15       | 253x4_FG.....    | CT-11 | 274x4_FG.....    | CT-10       | 2364.....        | CT-23       |                   |             |
| 188.....     | CT-24       | 253x4SS.....     | CT-12 | 274x4x270.....   | CT-26       | 2366.....        | CT-23       |                   |             |
| 189.....     | CT-24       | 253x226_FGT..... | CT-16 | 274x4x271.....   | CT-2        | 2464.....        | CT-23       |                   |             |
| 190.....     | CT-21       | 254.....         | CT-7  | 276.....         | CT-2, CT-26 | 2548.....        | CT-5, CT-26 |                   |             |

## Saddle Thresholds

- To use a saddle threshold in an offset condition, use an elevator (see page CT-24)

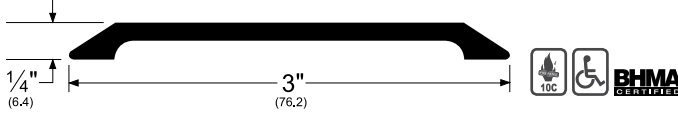
### 173\_

AVAILABLE FINISHES: A, B, D, G



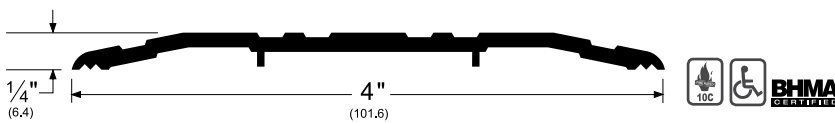
### 151\_

AVAILABLE FINISHES: A, B, D, G



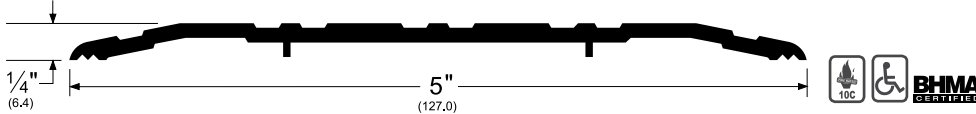
### 270\_

AVAILABLE FINISHES: A, B, D, G



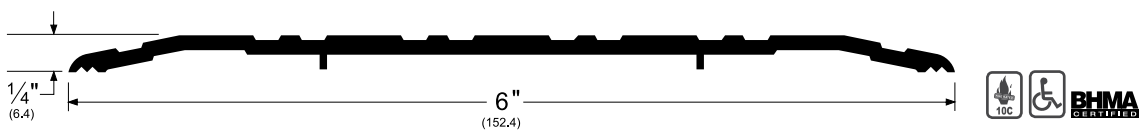
### 271\_

AVAILABLE FINISHES: A, B, D, G, SN



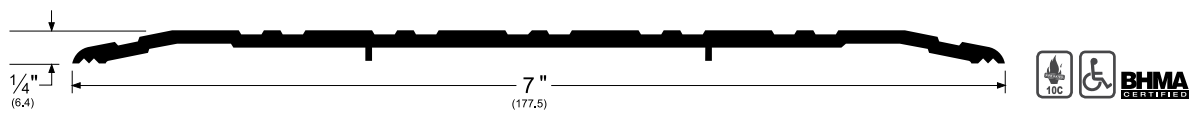
### 272\_

AVAILABLE FINISHES: A, B, D, G, SN



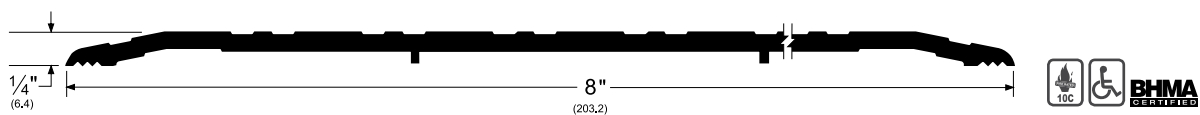
### 276\_

AVAILABLE FINISHES: A, B, D, G



### 2748\_

AVAILABLE FINISHES: A, D, G



NOTE: Products shown in this section may not be drawn to scale.

AVAILABLE FINISHES FOR PRODUCTS SHOWN ON THIS PAGE (see General Information section for finish chart)

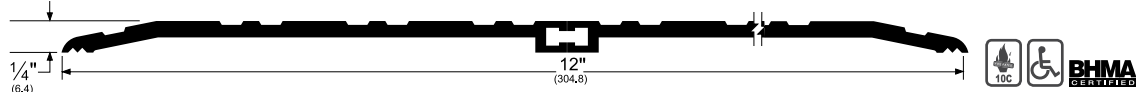
A (Mill Finish Aluminum) B (Mill Finish Extruded Bronze [Brass]) D (Dark Bronze Anodized) G (Gold Anodized) SN (Satin Nickel Anodized)

NOTE: G, SN are available with limited inventory

## Saddle Thresholds (Cont.)

### 2746x6\_

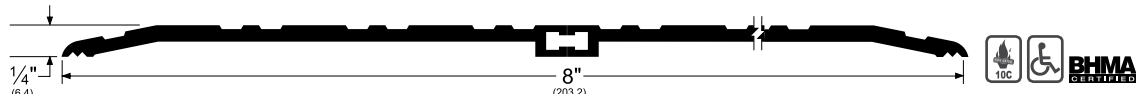
AVAILABLE FINISHES: A, D, G



Welded on bottom.

### 274x4\_

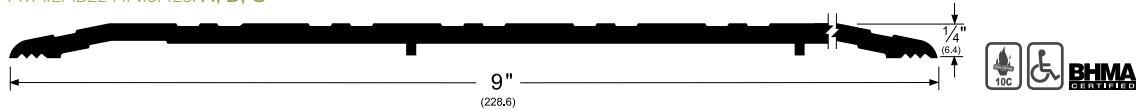
AVAILABLE FINISH: A, B, D, G



Welded on bottom.

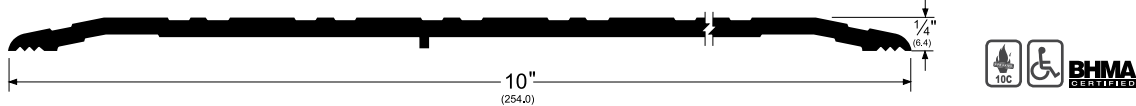
### 2749\_

AVAILABLE FINISHES: A, D, G



### 2750\_

AVAILABLE FINISHES: A, D, G



Includes two support legs (only one shown due to break in drawing)

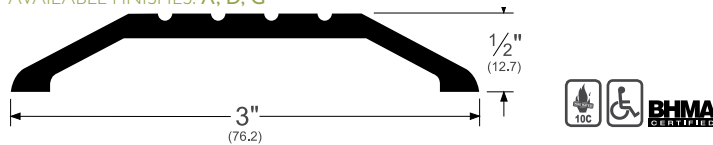
### 1665\_

AVAILABLE FINISHES: A, D, G



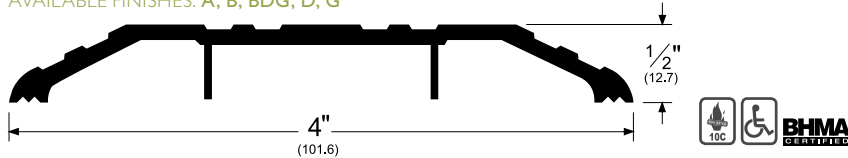
### 169\_

AVAILABLE FINISHES: A, D, G



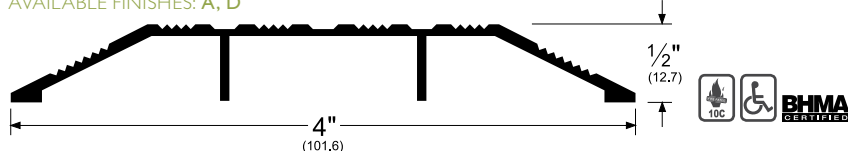
### 170\_

AVAILABLE FINISHES: A, B, BDG, D, G



### 1700\_

AVAILABLE FINISHES: A, D



NOTE: Products shown in this section may not be drawn to scale.

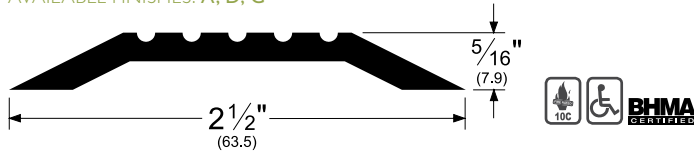
AVAILABLE FINISHES FOR PRODUCTS SHOWN ON THIS PAGE (see General Information section for finish chart)

A (Mill Finish Aluminum) B (Mill Finish Extruded Bronze [Brass]) BDG (Bright Dip Gold Anodized) D (Dark Bronze Anodized) G (Gold Anodized)  
NOTE: G is available with limited inventory

## Saddle Thresholds (Cont.)

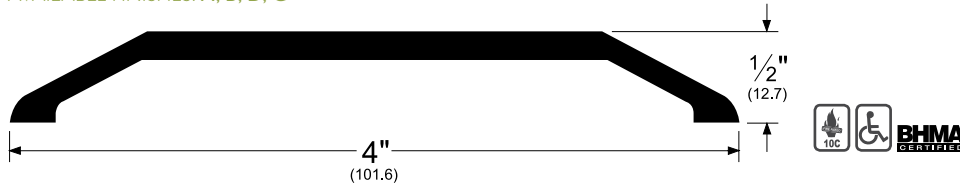
### 166\_

AVAILABLE FINISHES: A, D, G



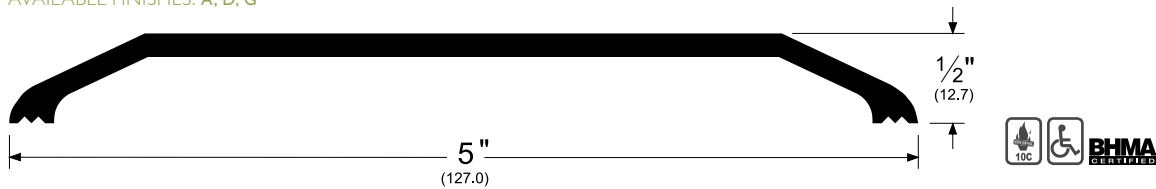
### 175\_

AVAILABLE FINISHES: A, B, D, G



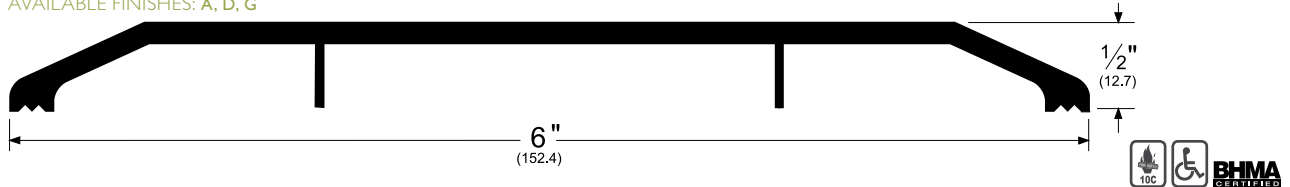
### 154\_

AVAILABLE FINISHES: A, D, G



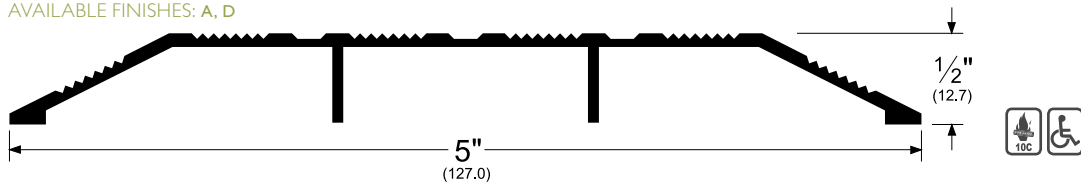
### 1546\_

AVAILABLE FINISHES: A, D, G



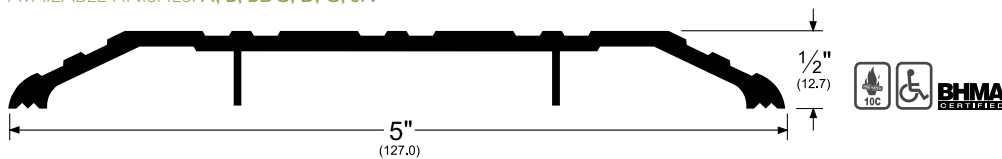
### 1710\_

AVAILABLE FINISHES: A, D



### 171\_

AVAILABLE FINISHES: A, B, BDG, D, G, SN



NOTE: Products shown in this section may not be drawn to scale.

AVAILABLE FINISHES FOR PRODUCTS SHOWN ON THIS PAGE (see General Information section for finish chart)

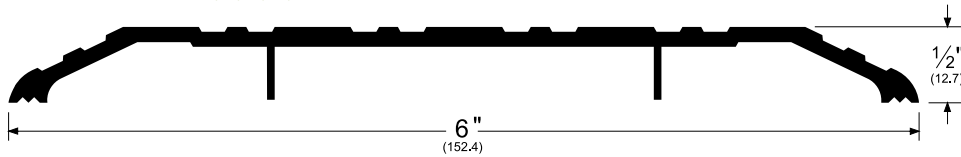
A (Mill Finish Aluminum) B (Mill Finish Extruded Bronze [Brass]) BDG (Bright Dip Gold Anod) D (Dark Bronze Anodized) G (Gold Anodized) SN (Satin Nickel Anodized)  
NOTE: G, SN are available with limited inventory



## Saddle Thresholds (Cont.)

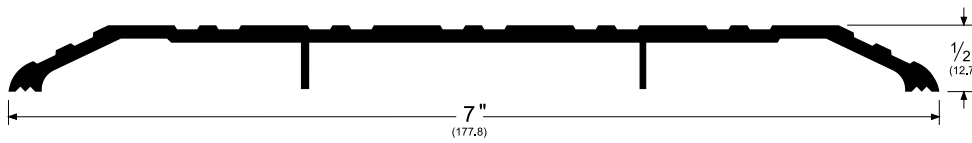
### 172\_

AVAILABLE FINISHES: A, B, D, G, SN



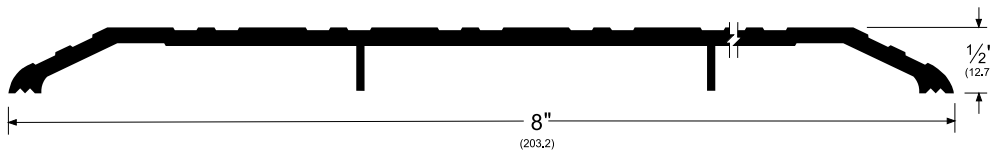
### 176\_

AVAILABLE FINISHES: A, B, D, G



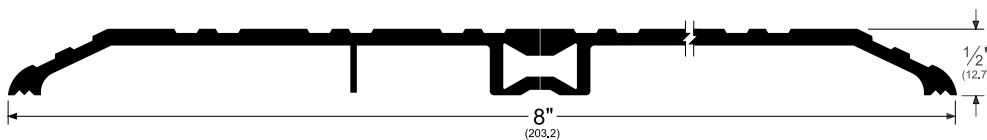
### 2548\_

AVAILABLE FINISHES: A, D, G



### 254x4\_

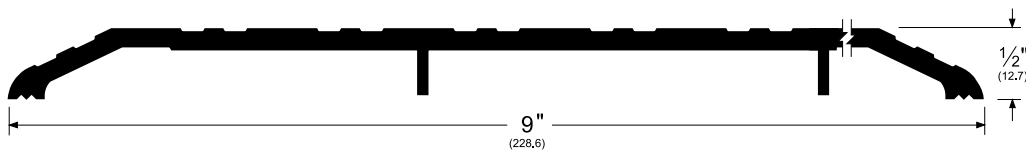
AVAILABLE FINISH: A, B, D, G



Includes two support legs (only one shown due to break in drawing)

### 2549\_

AVAILABLE FINISHES: A, D, G



### 2550\_

AVAILABLE FINISHES: A, D, G



Includes two support legs (only one shown due to break in drawing)

NOTE: Products shown in this section may not be drawn to scale.

AVAILABLE FINISHES FOR PRODUCTS SHOWN ON THIS PAGE (see General Information section for finish chart)

A (Mill Finish Aluminum) B (Mill Finish Extruded Bronze [Brass]) D (Dark Bronze Anodized) G (Gold Anodized) SN (Satin Nickel Anodized)  
NOTE: G, SN are available with limited inventory

## Saddle Thresholds (Cont.)

### 256x6\_

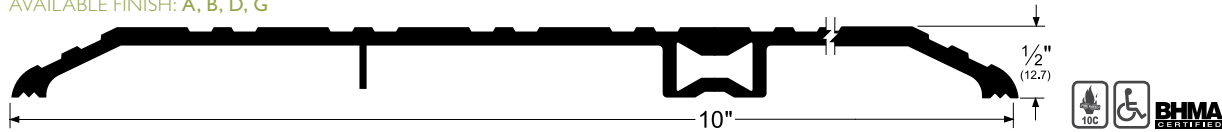
AVAILABLE FINISHES: A, D, G



Welded on bottom. Includes two support legs (only one shown due to break in drawing)

### 255x5\_

AVAILABLE FINISH: A, B, D, G



Welded on bottom. Includes two support legs (only one shown due to break in drawing)

### 198\_

AVAILABLE FINISHES: A, B, D, G



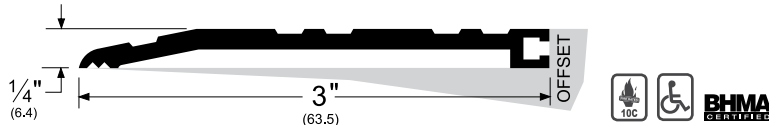
### 156\_

AVAILABLE FINISHES: A, D, G



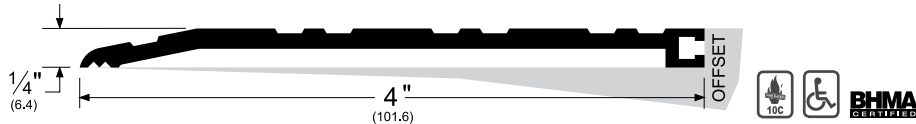
### 273\_

AVAILABLE FINISHES: A, B, D, G



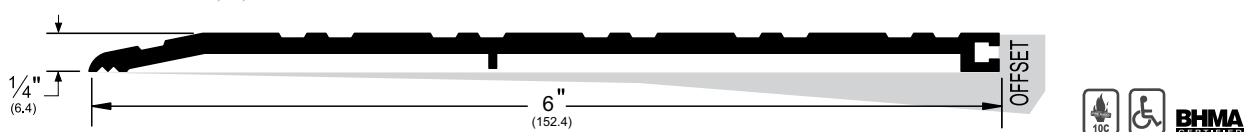
### 274\_

AVAILABLE FINISHES: A, B, D, G



### 2746\_

AVAILABLE FINISHES: A, D, G



NOTE: Products shown in this section may not be drawn to scale.

AVAILABLE FINISHES FOR PRODUCTS SHOWN ON THIS PAGE (see General Information section for finish chart)

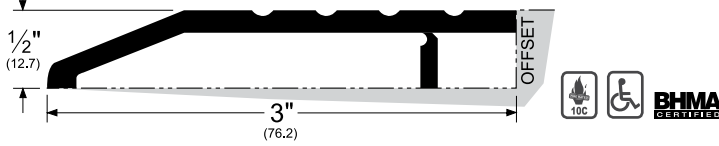
A (Mill Finish Aluminum) B (Mill Finish Extruded Bronze [Brass]) D (Dark Bronze Anodized) G (Gold Anodized)

NOTE: G is available with limited inventory

## Saddle Thresholds (Cont.)

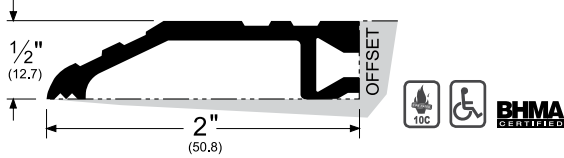
### 168\_

AVAILABLE FINISHES: A, D, G



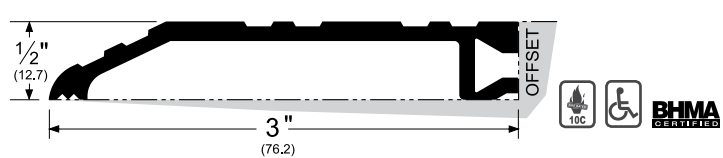
### 252\_

AVAILABLE FINISHES: A, B, D, G



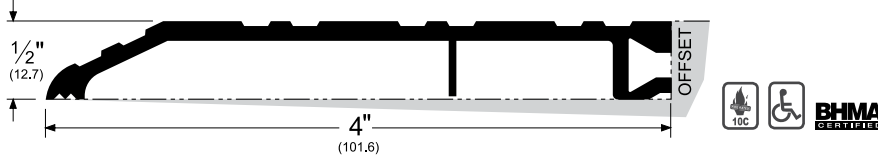
### 253\_

AVAILABLE FINISHES: A, B, D, G



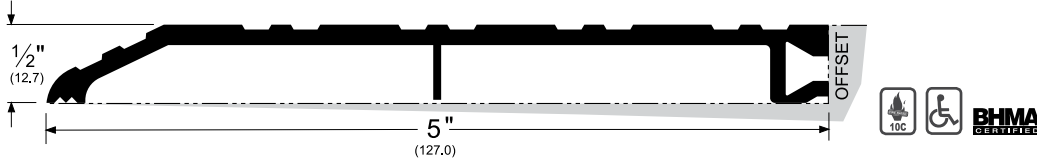
### 254\_

AVAILABLE FINISHES: A, B, D, G



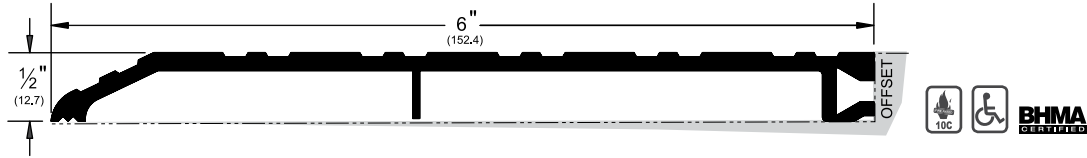
### 255\_

AVAILABLE FINISHES: A, B, D, G



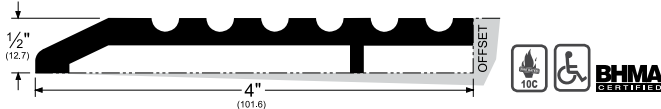
### 256\_

AVAILABLE FINISHES: A, D, G



### 227\_

AVAILABLE FINISHES: A, B, D, G



### 229\_

AVAILABLE FINISHES: A, D, G



Note: the 227 and 229 can be welded to floor plates and supports (pages CT-21), to create custom thresholds which have the same fluting pattern.

NOTE: Products shown in this section may not be drawn to scale.

AVAILABLE FINISHES FOR PRODUCTS SHOWN ON THIS PAGE (see General Information section for finish chart)

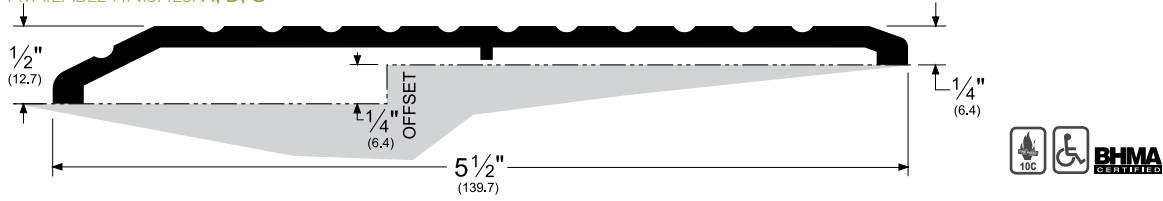
A (Mill Finish Aluminum) B (Mill Finish Extruded Bronze [Brass]) D (Dark Bronze Anodized) G (Gold Anodized)

NOTE: G is available with limited inventory

## Half Saddles/Offset Saddles

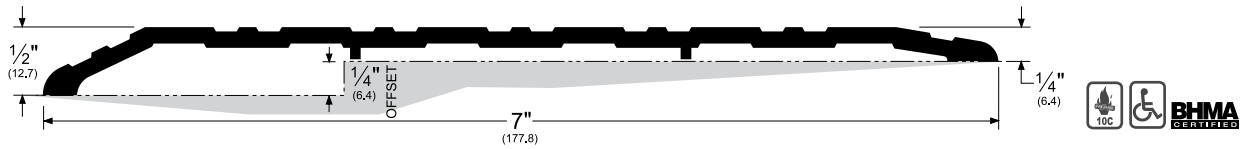
### 158\_

AVAILABLE FINISHES: A, D, G



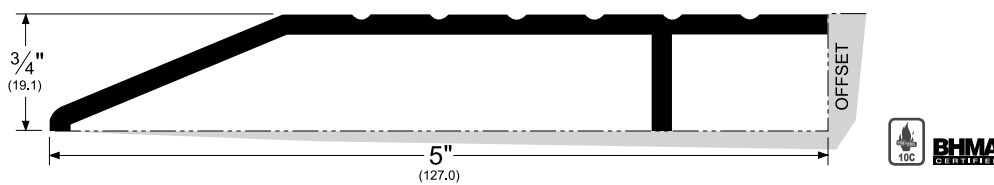
### 2727\_

AVAILABLE FINISHES: A, D, G



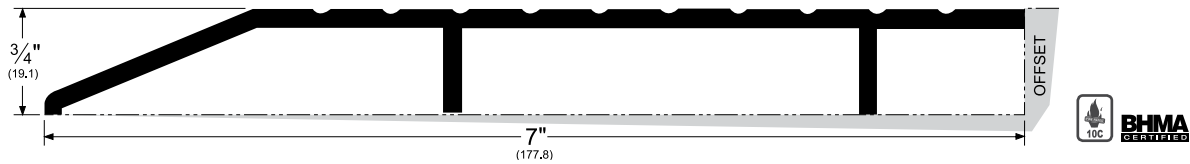
### 1875\_

AVAILABLE FINISHES: A, D, G



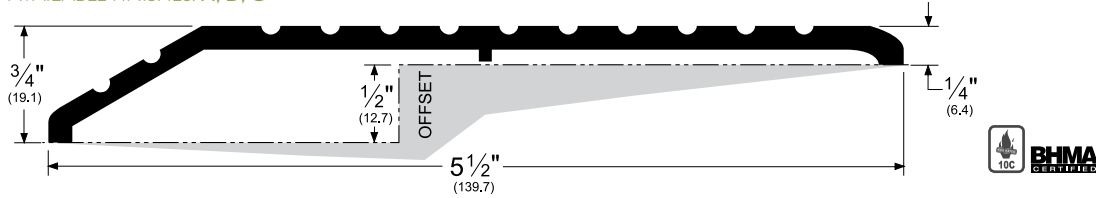
### 1877\_

AVAILABLE FINISHES: A, D, G



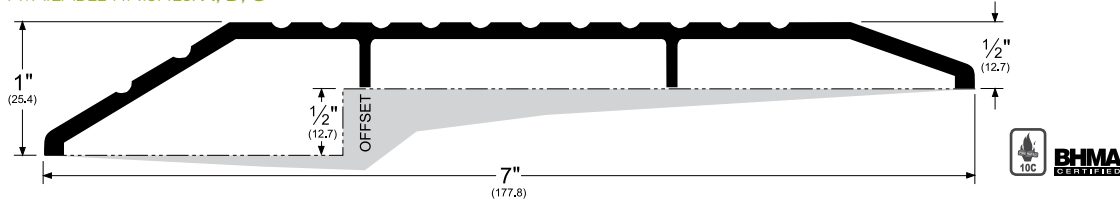
### 157\_

AVAILABLE FINISHES: A, D, G



### 182\_

AVAILABLE FINISHES: A, D, G



NOTE: Products shown in this section may not be drawn to scale.

AVAILABLE FINISHES FOR PRODUCTS SHOWN ON THIS PAGE (see General Information section for finish chart)

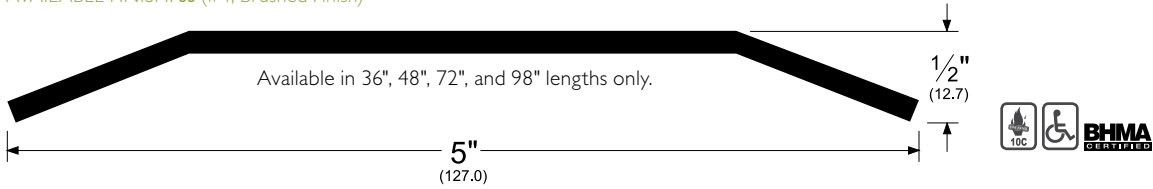
A (Mill Finish Aluminum) D (Dark Bronze Anodized) G (Gold Anodized)

NOTE: G is available with limited inventory

## Stainless Steel Saddles

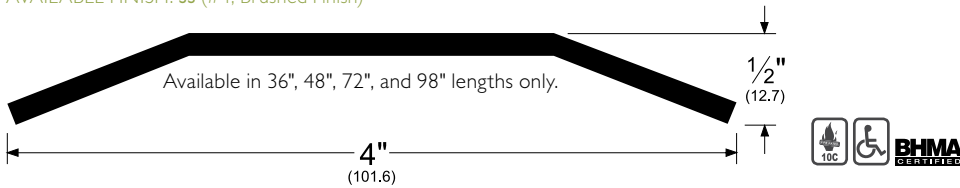
### 154SS\_

AVAILABLE FINISH: SS (#4, Brushed Finish)



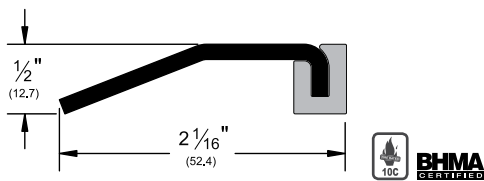
### 175SS\_

AVAILABLE FINISH: SS (#4, Brushed Finish)



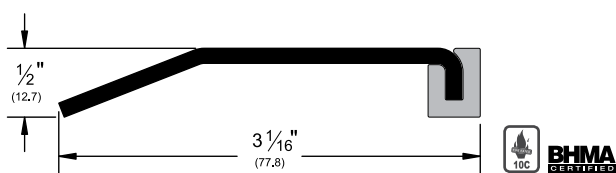
### 252SS\_

AVAILABLE FINISHES: SS (#4, Brushed Finish)



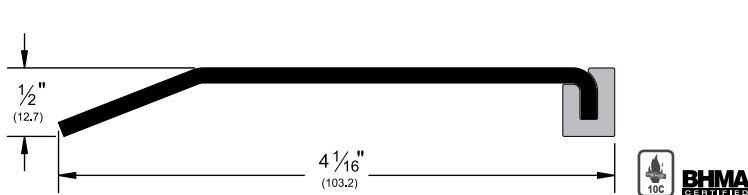
### 253SS\_

AVAILABLE FINISHES: SS (#4, Brushed Finish)



### 254SS\_

AVAILABLE FINISHES: SS (#4, Brushed Finish)



NOTE: Products shown in this section may not be drawn to scale.

AVAILABLE FINISHES FOR PRODUCTS SHOWN ON THIS PAGE (see General Information section for finish chart)  
SS (See Individual Part)

## Thermal Barrier Saddles

### 273x3\_FG

AVAILABLE FINISHES: A, B, D, G



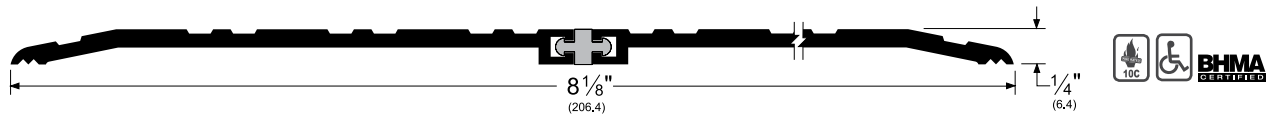
### 273x4\_FG

AVAILABLE FINISHES: A, B, D, G



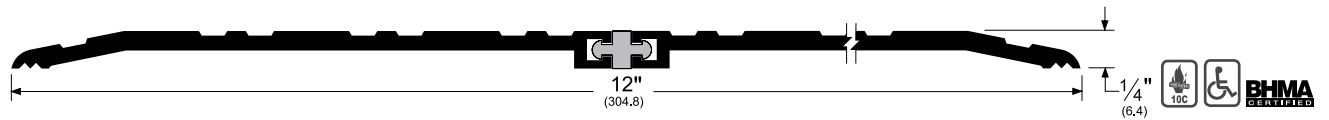
### 274x4\_FG

AVAILABLE FINISHES: A, B, D, G



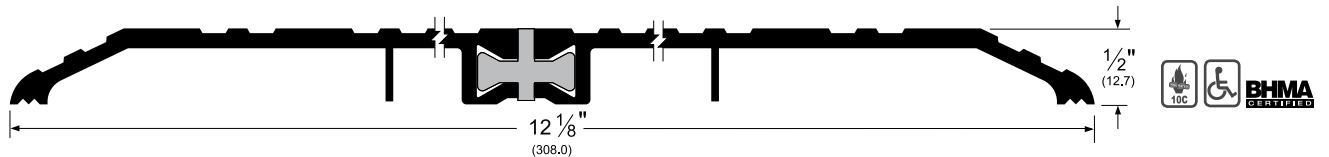
### 2746x6\_FG

AVAILABLE FINISHES: A, D, G



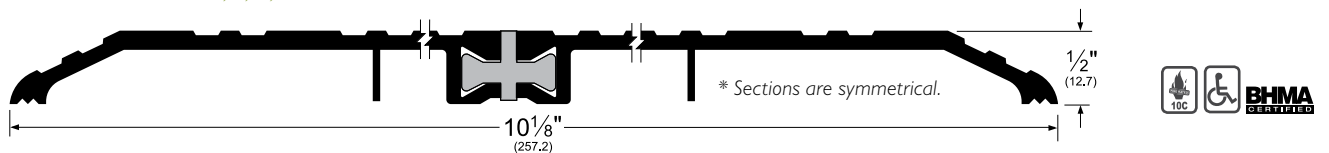
### 256x6\_FG

AVAILABLE FINISHES: A, D, G



### 255x5\_FG

AVAILABLE FINISHES: A, B, D, G



NOTE: Products shown in this section may not be drawn to scale.

AVAILABLE FINISHES FOR PRODUCTS SHOWN ON THIS PAGE (see General Information section for finish chart)

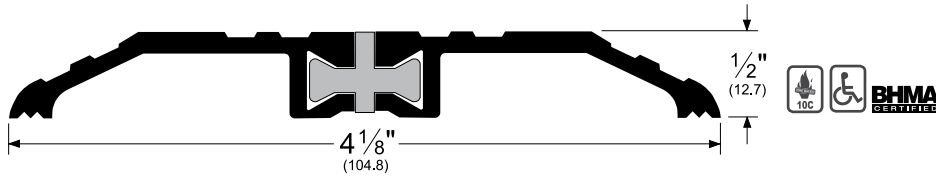
A (Mill Finish Aluminum) B (Mill Finish Extruded Bronze [Brass]) D (Dark Bronze Anodized) G (Gold Anodized)

NOTE: G is available with limited inventory

## Thermal Barrier Saddles (Cont.)

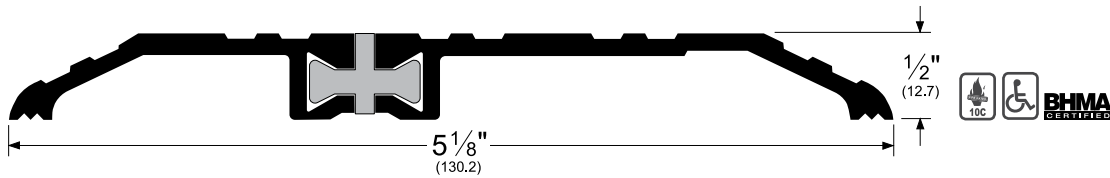
### 252x2\_FG

AVAILABLE FINISHES: A, B, D, G



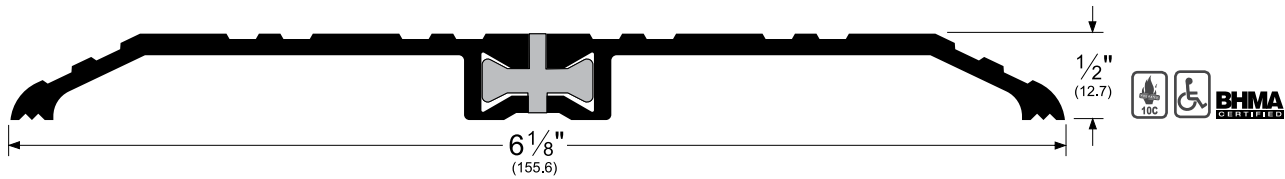
### 252x3\_FG

AVAILABLE FINISHES: A, B, D, G



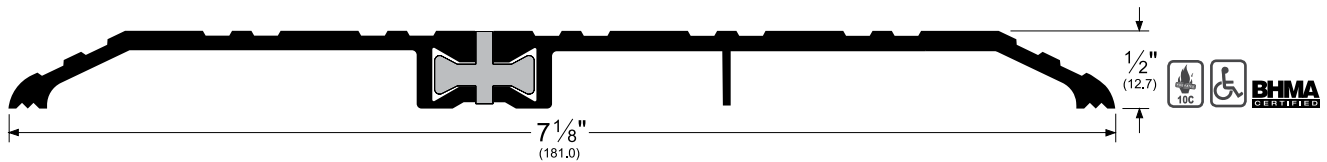
### 253x3\_FG

AVAILABLE FINISHES: A, B, D, G



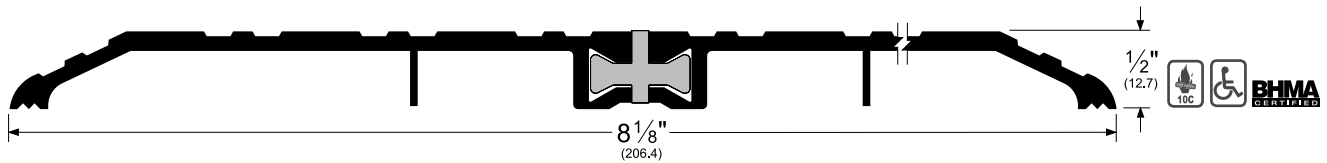
### 253x4\_FG

AVAILABLE FINISHES: A, B, D, G



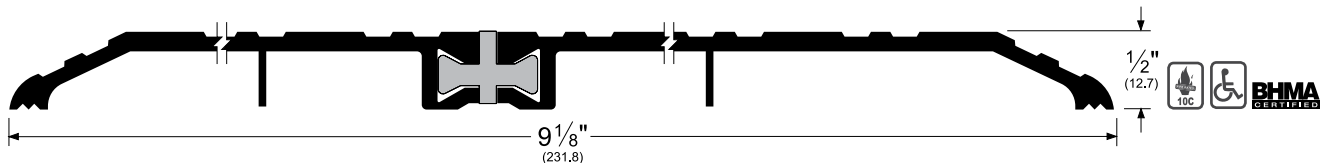
### 254x4\_FG

AVAILABLE FINISHES: A, B, D, G



### 254x5\_FG

AVAILABLE FINISHES: A, B, D, G



NOTE: Products shown in this section may not be drawn to scale.

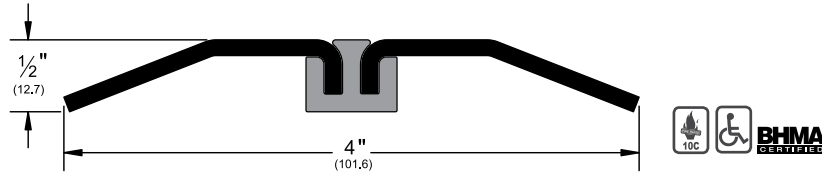
AVAILABLE FINISHES FOR PRODUCTS SHOWN ON THIS PAGE (see General Information section for finish chart)  
A (Mill Finish Aluminum) B (Mill Finish Extruded Bronze [Brass]) D (Dark Bronze Anodized) G (Gold Anodized)  
NOTE: G is available with limited inventory

## Stainless Steel Thermal Barrier Threshold

- Black rigid polypropylene key between extrusions provides a thermal barrier (designated by "FG" Frost Guard following finish code)

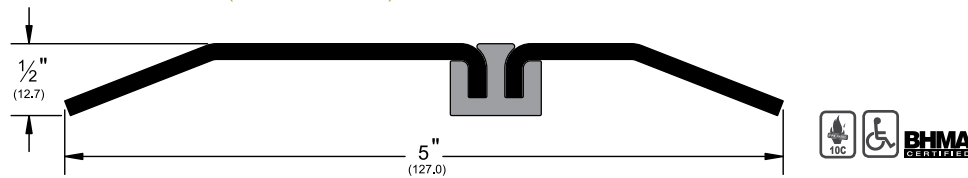
### 252x2SSFG

AVAILABLE FINISHES: SS (#4, Brushed Finish)



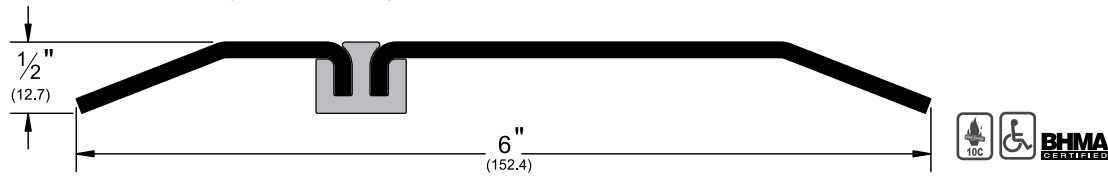
### 252x3SSFG

AVAILABLE FINISHES: SS (#4, Brushed Finish)



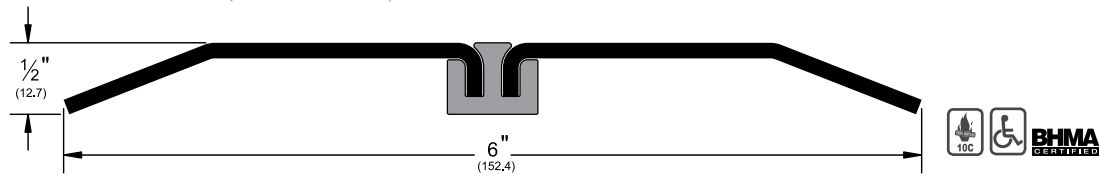
### 252x4SSFG

AVAILABLE FINISHES: SS (#4, Brushed Finish)



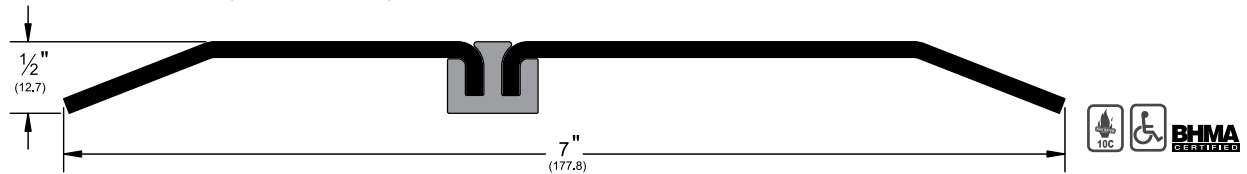
### 253x3SSFG

AVAILABLE FINISHES: SS (#4, Brushed Finish)



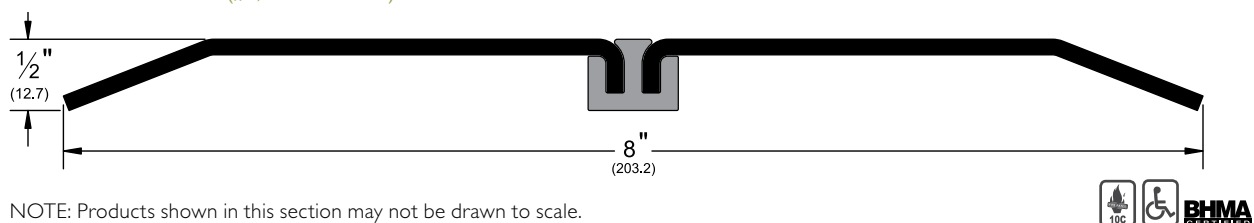
### 253x4SSFG

AVAILABLE FINISHES: SS (#4, Brushed Finish)



### 254x4SSFG

AVAILABLE FINISHES: SS (#4, Brushed Finish)



NOTE: Products shown in this section may not be drawn to scale.

AVAILABLE FINISHES FOR PRODUCTS SHOWN ON THIS PAGE (see General Information section for finish chart)  
SS (See Individual Part)



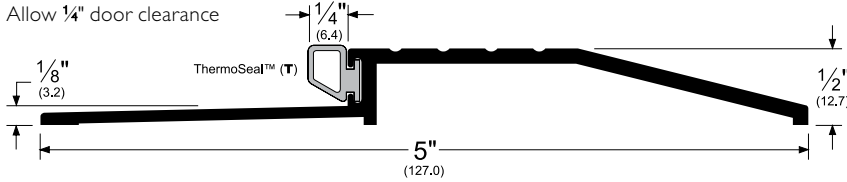
## Latching Panic Exit Saddles

- Used in conjunction with surface applied vertical rod exit device, or as a stop and a seal at the bottom of door
- For offset applications, use an elevator (see page CT-24)
- **2006\_T and 2007\_T** are only ADA compliant when installed butted to 1/4" tile or other floor material

### 2001\_T

AVAILABLE FINISHES: A, D, G

Allow 1/4" door clearance



Special purpose bumper threshold designed for use with a low 1/4" to 3/8" undercut door.



### 2002\_Q

AVAILABLE FINISHES: A, D, G

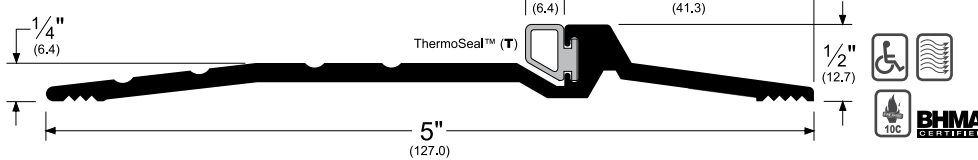
Allow 1/4" door clearance



### 2005\_T

AVAILABLE FINISHES: A, B, D, G

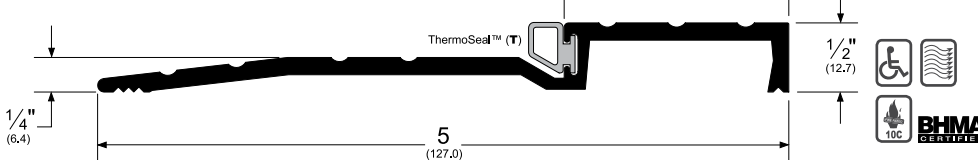
Allow 3/8" door clearance



### 2006\_T

AVAILABLE FINISHES: A, D, G

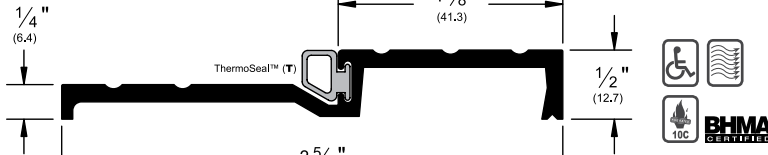
Allow 3/8" door clearance



### 2007\_T

AVAILABLE FINISHES: A, D, G

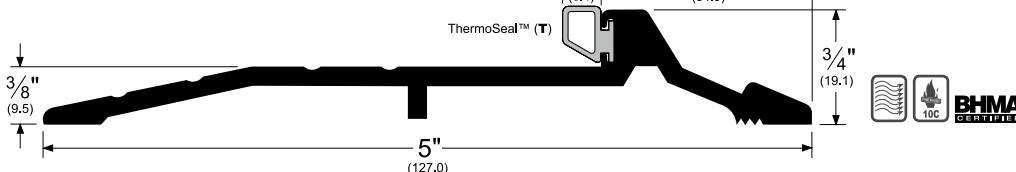
Allow 3/8" door clearance



### 179\_T

AVAILABLE FINISHES: A, B, D, G

Allow 1/2" door clearance



#### Alternate Inserts



pile (P)

179\_P  
2001\_P



2005\_P  
2006\_P



vinyl (V)

179\_V  
2001\_V



2005\_V  
2006\_V

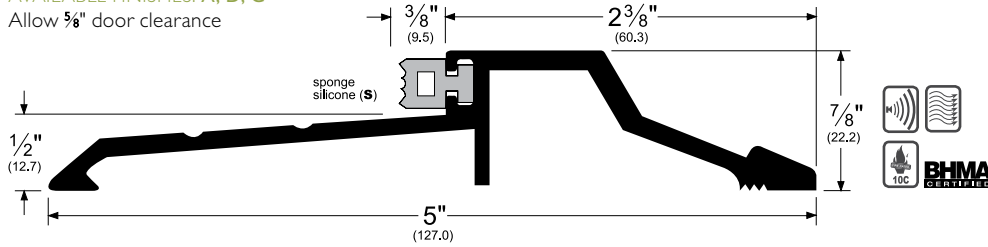


AVAILABLE FINISHES FOR PRODUCTS SHOWN ON THIS PAGE (see General Information section for finish chart)  
A (Mill Finish Aluminum) B (Mill Finish Extruded Bronze [Brass]) D (Dark Bronze Anodized) G (Gold Anodized)  
NOTE: G is available with limited inventory

## Latching Panic Exit Saddles (Cont.)

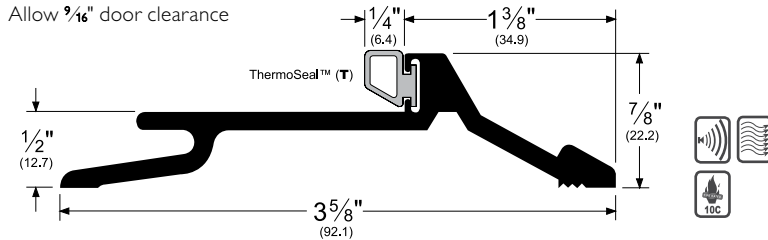
### 277\_S

AVAILABLE FINISHES: A, D, G  
Allow  $\frac{5}{8}$ " door clearance



### 159\_T

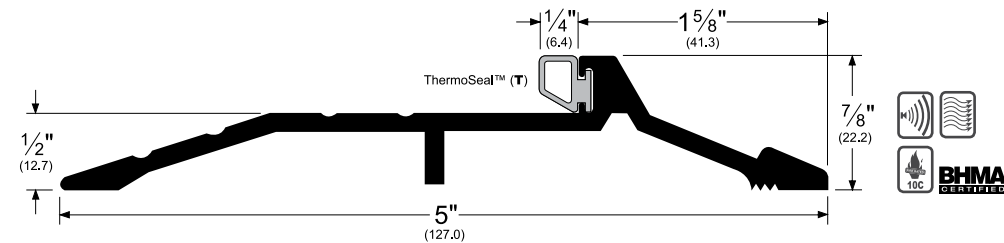
AVAILABLE FINISHES: A, B, BDG, D, G  
Allow  $\frac{9}{16}$ " door clearance



Provided with "J" hook.  
Can also be used as an interlock threshold (see Residential Thresholds section)

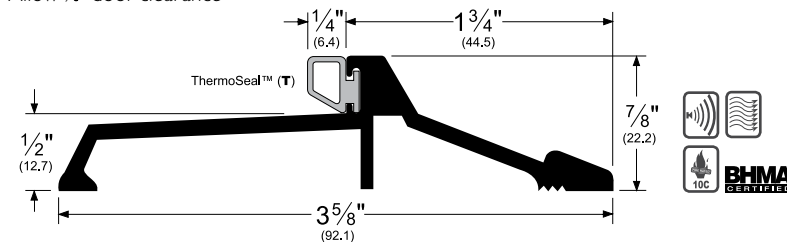
### 177\_T

AVAILABLE FINISHES: A, B, D, G  
Allow  $\frac{5}{8}$ " door clearance



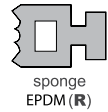
### 1855\_T

AVAILABLE FINISHES: A, D, G  
Allow  $\frac{5}{8}$ " door clearance



#### Alternate Inserts

##### 277\_R



##### 177\_P 1855\_P

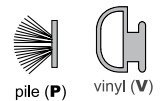


##### 177\_V 1855\_V



##### 159\_P

##### 159\_V



NOTE: Products shown in this section may not be drawn to scale.

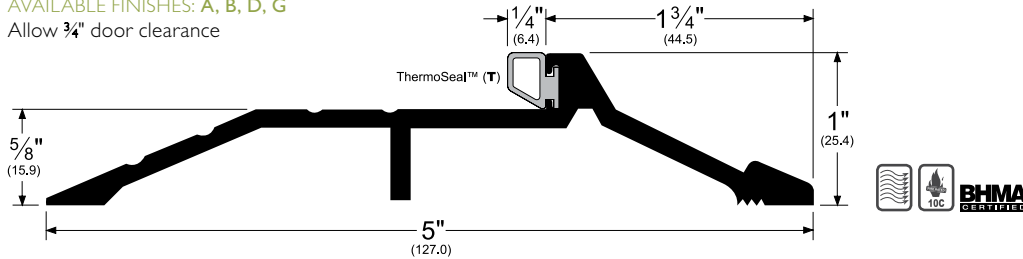
AVAILABLE FINISHES FOR PRODUCTS SHOWN ON THIS PAGE (see General Information section for finish chart)

A (Mill Finish Aluminum) B (Mill Finish Extruded Bronze [Brass]) BDG (Bright Dip Gold Anodized) D (Dark Bronze Anodized) G (Gold Anodized)  
NOTE: G is available with limited inventory

## Latching Panic Exit Saddles (Cont.)

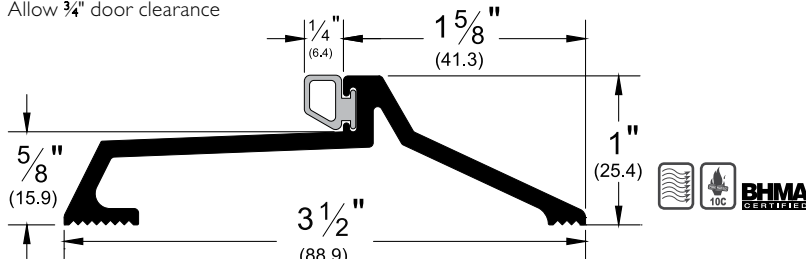
### 181\_T

AVAILABLE FINISHES: A, B, D, G  
Allow 3/4" door clearance



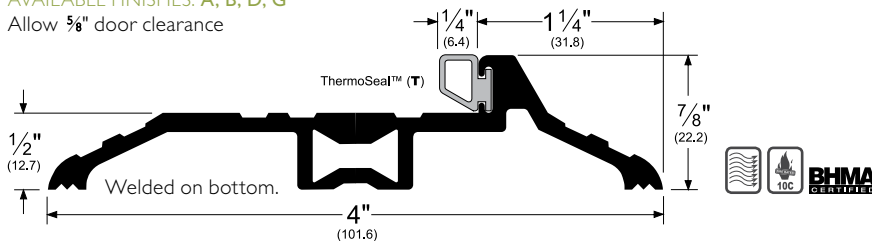
### 1851

AVAILABLE FINISHES: A, D, G  
Allow 3/4" door clearance



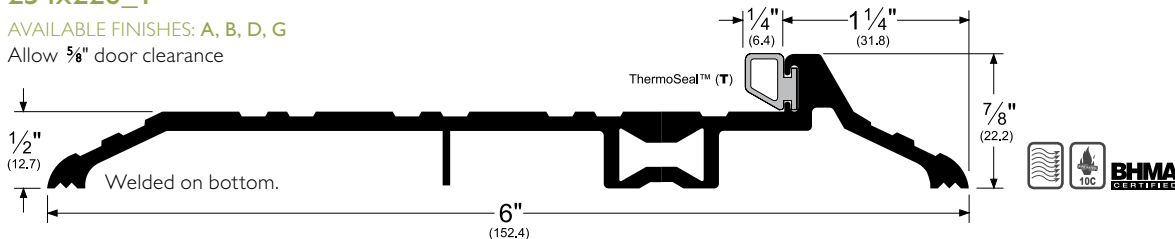
### 252x226\_T

AVAILABLE FINISHES: A, B, D, G  
Allow 5/8" door clearance



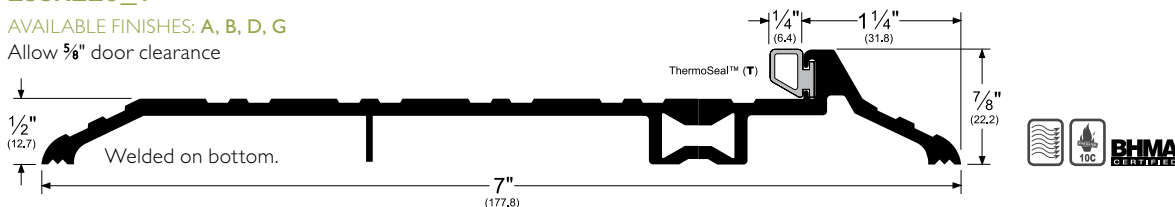
### 254x226\_T

AVAILABLE FINISHES: A, B, D, G  
Allow 5/8" door clearance



### 255x226\_T

AVAILABLE FINISHES: A, B, D, G  
Allow 5/8" door clearance



#### Alternate Inserts

|           |  |            |
|-----------|--|------------|
| 181_P     |  |            |
| 1851_P    |  | pile (P)   |
| 181_V     |  |            |
| 1851_V    |  | vinyl (V)* |
| 252X226_P |  |            |
| 254X226_P |  | pile (P)   |
| 255X226_P |  | pile (P)   |
| 252X226_V |  |            |
| 254X226_V |  | vinyl (V)* |
| 255X226_V |  | vinyl (V)* |

\* Vinyl products are not BHMA certified

NOTE: Products shown in this section may not be drawn to scale.

AVAILABLE FINISHES FOR PRODUCTS SHOWN ON THIS PAGE (see General Information section for finish chart)  
A (Mill Finish Aluminum) B (Mill Finish Extruded Bronze [Brass]) D (Dark Bronze Anodized) G (Gold Anodized)  
NOTE: G is available with limited inventory

Copyright © 2012, Pemko Manufacturing Co., an ASSA ABLOY Group company. All rights reserved.  
Reproduction in whole or in part without the express written permission of Pemko Manufacturing Co. is prohibited.

ASSA ABLOY, the global leader  
in door opening solutions

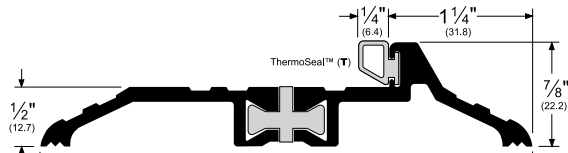
## Latching Panic Exit Saddles - Thermal Barrier

- Black rigid polypropylene key between extrusions provides thermal barrier (designated by "FG" Frost Guard following finish code)

- Used in conjunction with surface applied vertical rod exit device, or as a stop and a seal at the bottom of door
- These units are not welded

### 252x226\_FGT

AVAILABLE FINISHES: A, B, D, G  
Allow  $\frac{5}{8}$ " door clearance



#### Alternate Inserts

252X226\_FGP 

253X226\_FGP 

254X226\_FGP 

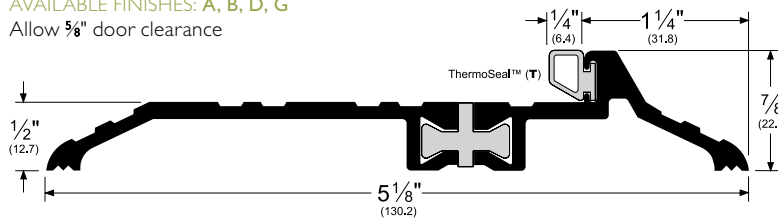
255X226\_FGP 

273x224\_FGP 

pile (P)

### 253x226\_FGT

AVAILABLE FINISHES: A, B, D, G  
Allow  $\frac{5}{8}$ " door clearance



252X226\_FGV 

253X226\_FGV 

254X226\_FGV 

255X226\_FGV 

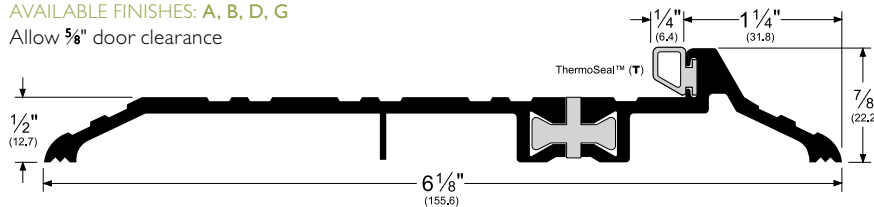
273x224\_FGV 

vinyl (V)\*

\*Vinyl products are not BHMA certified.

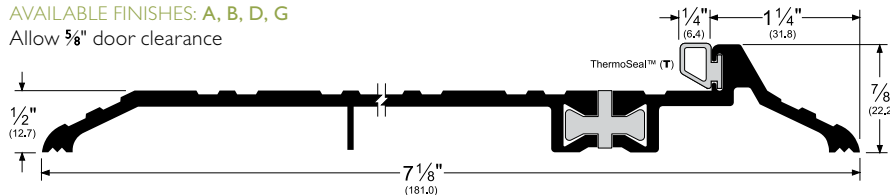
### 254x226\_FGT

AVAILABLE FINISHES: A, B, D, G  
Allow  $\frac{5}{8}$ " door clearance



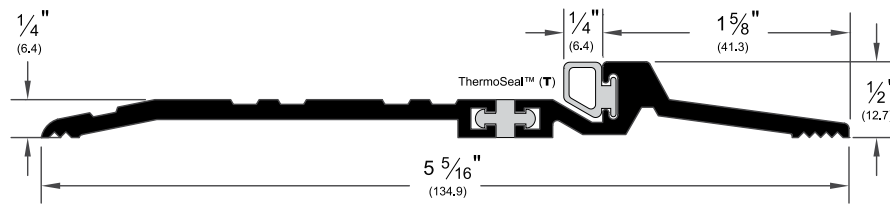
### 255x226\_FGT

AVAILABLE FINISHES: A, B, D, G  
Allow  $\frac{5}{8}$ " door clearance



### 273x224\_FGT

AVAILABLE FINISHES: A, D, G



NOTE: Products shown in this section may not be drawn to scale.

AVAILABLE FINISHES FOR PRODUCTS SHOWN ON THIS PAGE (see General Information section for finish chart)

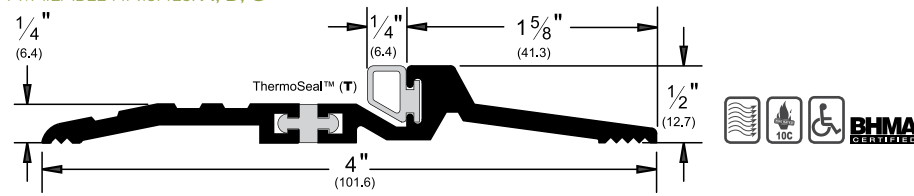
A (Mill Finish Aluminum) B (Mill Finish Extruded Bronze [Brass]) D (Dark Bronze Anodized) G (Gold Anodized)

NOTE: G is available with limited inventory

## Latching Panic Exit Saddles - Thermal Barrier (Cont.)

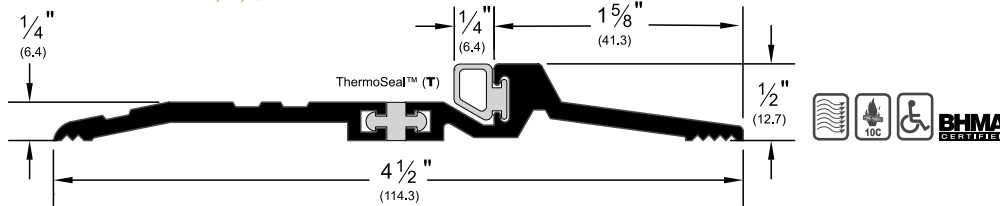
### 278x224\_FGT

AVAILABLE FINISHES: A, D, G



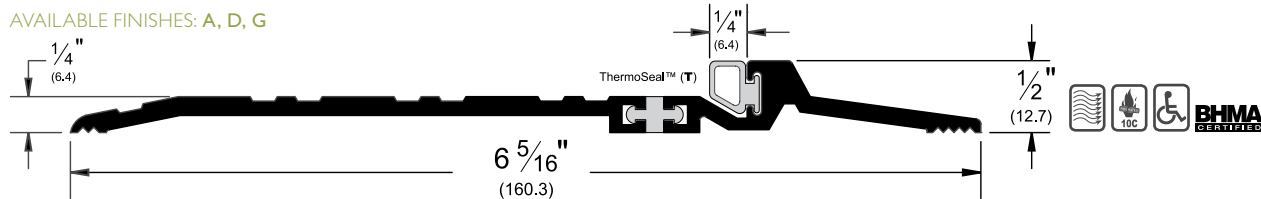
### 279x224\_FGT

AVAILABLE FINISHES: A, D, G



### 274x224\_FGT

AVAILABLE FINISHES: A, D, G



#### Alternate Inserts

274X224\_FGP



ONLY

278x224\_FGP



pile (P)

279x224\_FGP

274X224\_FGV



ONLY

278x224\_FGV



vinyl (V)\*

279x224\_FGV

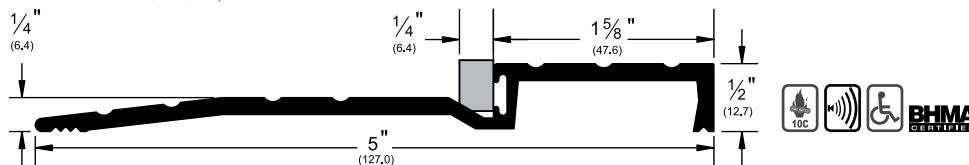
\*Vinyl products are not BHMA certified.

## Acoustic Thresholds

- PEMKO's line of Acoustic Thresholds are designed to aid with a door's Acoustic STC rating.
- 2006STCxQ380 and 2007STCxQ380 are only ADA compliant when installed butted to other flooring materials in accordance with ADA guidelines
- Thresholds will not improve a door's "sealed-in-place" STC rating
- See Acoustic Brochure on PEMKO's website ([www.pemko.com](http://www.pemko.com)) for more Acoustic products and additional information

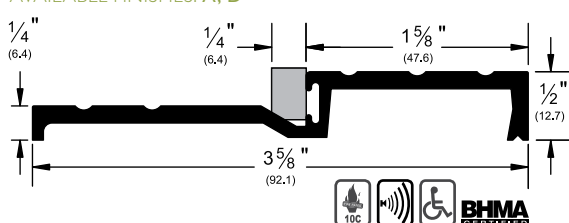
### 2006STCxQ380\_

AVAILABLE FINISHES: A, D



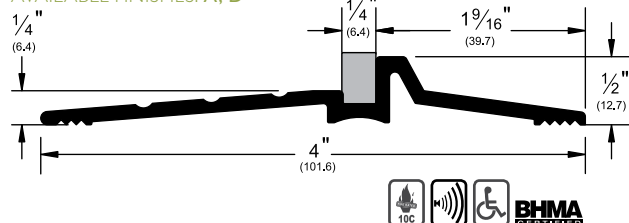
### 2007STCxQ380\_

AVAILABLE FINISHES: A, D



### 2008STCxQ380\_

AVAILABLE FINISHES: A, D



NOTE: Products shown in this section may not be drawn to scale.

AVAILABLE FINISHES FOR PRODUCTS SHOWN ON THIS PAGE (see General Information section for finish chart)

A (Mill Finish Aluminum) D (Dark Bronze Anodized) G (Gold Anodized)

NOTE: G is available with limited inventory

## Vinyl Thresholds

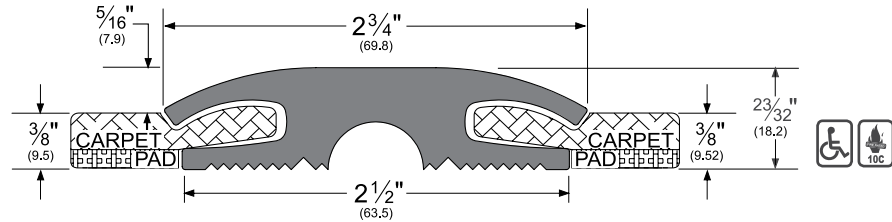
- Vinyl thresholds create an ideal transition where two different pieces of carpet meet, or carpet meets another surface under a door
- Ideal for use in any high-traffic commercial installation, such as hotels and offices
- Vinyl thresholds are manufactured from slightly softer material than competitive products. This aids in the cutting and fitting of the threshold and facilitates easier

insertion of the carpet into the holding cavities on the carpet side(s) of the threshold

- Vinyl thresholds are designed to work in conjunction with PEMKO's **2173\_V**, **2113\_V** and **2343\_V** door shoes
- **V232\_**, **V2325\_** and **ADJ232V** thresholds have been tested and approved under **ADAAG-1998 (Amended)**; **ICC/ANSI A117.1** and **California Building Code, Title 24** for Barrier-Free Entry

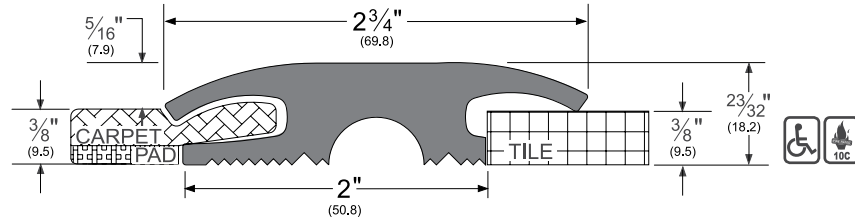
### V232\_

AVAILABLE COLORS: **BL, D**  
AVAILABLE LENGTHS: 36", 48", 73"  
Serves as a transition where two pieces of carpet meet beneath an interior door



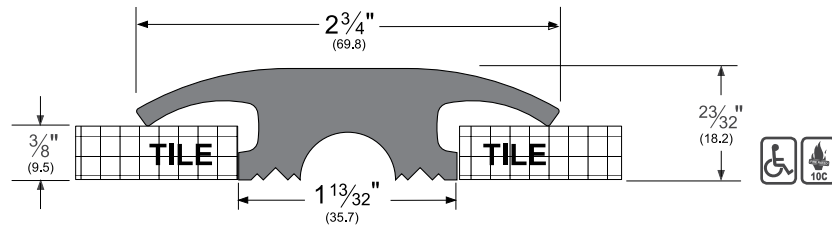
### V2325\_

AVAILABLE COLORS: **BL, D**  
AVAILABLE LENGTHS: 36", 48", 73"  
Serves as a transition where two pieces of carpet meet beneath an interior door



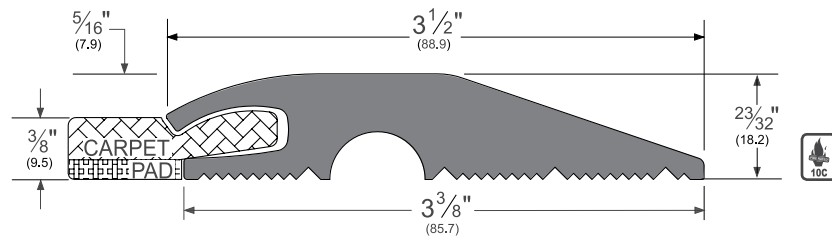
### V2326\_

AVAILABLE COLORS: **BL, D**  
AVAILABLE LENGTHS: 36", 48", 73"  
Serves as a transition where two pieces of carpet meet beneath an interior door



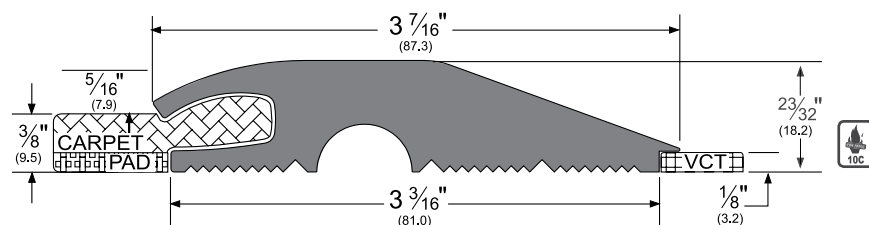
### V2320\_

AVAILABLE COLOR: **BL**  
AVAILABLE LENGTHS: 36", 48", 73"  
Serves as a transition where carpet meets concrete beneath an interior or exterior door



### V2322\_

AVAILABLE COLOR: **BL**  
AVAILABLE LENGTHS: 36", 48", 73"  
Serves as a transition where carpet meets 1/8" tile beneath an interior door



NOTE: Products shown in this section may not be drawn to scale.

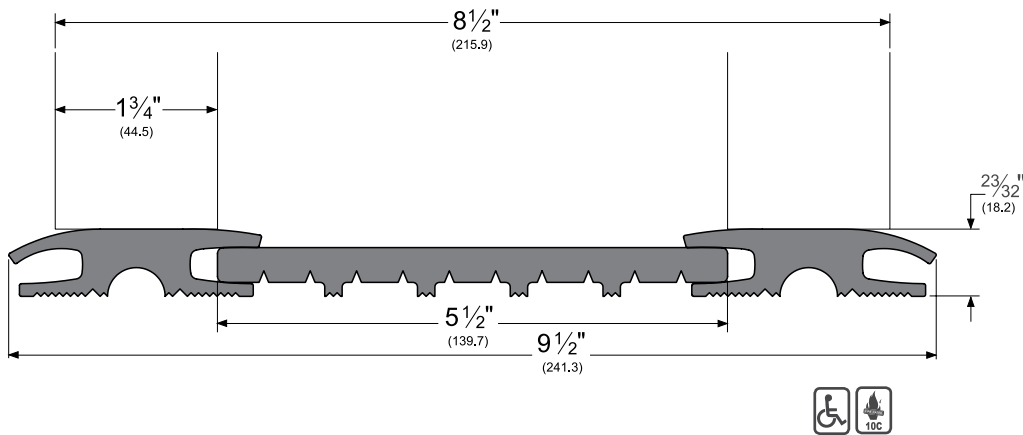
AVAILABLE FINISHES FOR PRODUCTS SHOWN ON THIS PAGE (see General Information section for finish chart)  
**BL** (Black) **D** (Dark Bronze Anodized) is a special finish; available upon request

## Adjustable-Width Vinyl Threshold

- The adjustable-width threshold is designed for installations where the widths of the transition beneath a door may need to change, without completely disassembling and reinstalling the threshold
- The adjustable-width threshold consists of two vinyl end pieces and one vinyl adjustable center section
- Center section (V2321\_ below) can easily be cut to size with a standard razor knife

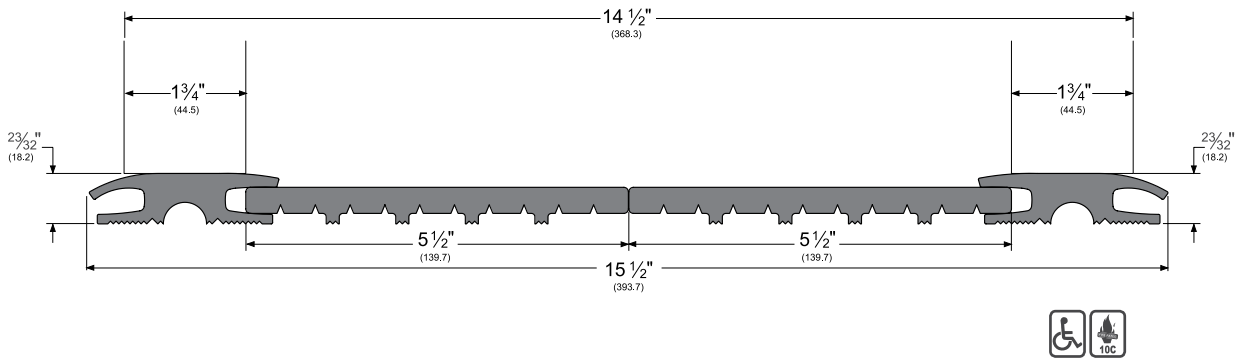
### ADJ232V8\_

AVAILABLE COLOR: **BL**  
AVAILABLE LENGTHS: 36", 48"



### ADJ232V14\_

AVAILABLE COLOR: **BL**  
AVAILABLE LENGTHS: 36", 48"



NOTE: Products shown in this section may not be drawn to scale.

AVAILABLE FINISHES FOR PRODUCTS SHOWN ON THIS PAGE (see General Information section for finish chart)  
**BL** (Black)

## Heavy Duty Thresholds

- Ideal for heavy-duty, high-traffic and high weight-bearing applications, such as industrial facilities, schools, cafeterias, manufacturing buildings and hospitals
- Withstands coastal and high-humidity conditions
- Ultra-durable, extra thick extruded nickel-aluminum construction is guaranteed for ten (10) years



All items on this page are available with **PemKote™** non-slip coating (see General Information section). Please specify "PemKote™" when ordering. Please furnish drilling instructions when ordering PemKote™ as it is difficult to drill through this coating.

### 1715\_

AVAILABLE FINISHES: A, AK, D  
Allow 5/8" door clearance



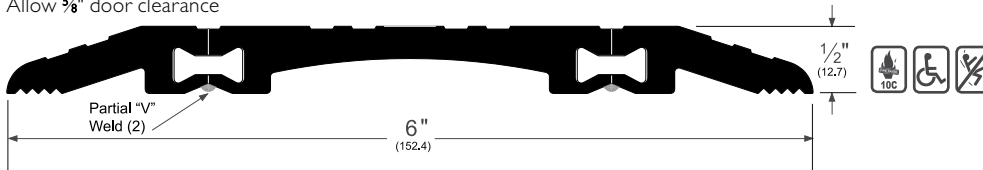
## Modular Heavy Duty Thresholds

- Modular construction allows threshold to fit openings up to 15" wide without the expense of custom cast

thresholds. There is no restriction on width additions (in 1" increments)

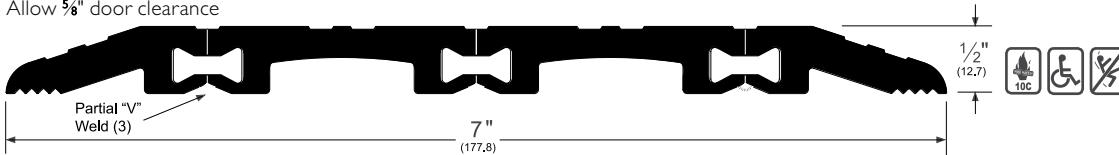
### 1716\_

AVAILABLE FINISHES: A, AK, D  
Allow 5/8" door clearance



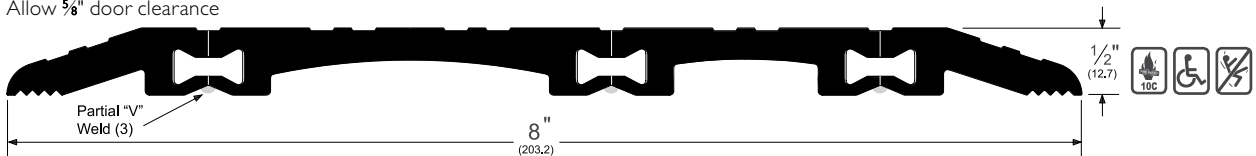
### 1717\_

AVAILABLE FINISHES: A, AK, D  
Allow 5/8" door clearance



### 1718\_

AVAILABLE FINISHES: A, AK, D  
Allow 5/8" door clearance



### 1719\_

AVAILABLE FINISHES: A, AK, D  
Allow 5/8" door clearance



AVAILABLE FINISHES FOR PRODUCTS SHOWN ON THIS PAGE (see General Information section for finish chart)

- A (Mill Finish Aluminum) AK (Mill Finish Aluminum w/PemKote™ Non-Slip Coating)
- D (Dark Bronze Anodized) is a special finish; available upon request



## Floor Plates/Safety Treads

- PEMKO can fabricate almost any floor plate threshold you might require
- Furnished undrilled unless drilling instructions are specified when ordering
- Ordering of fasteners does not constitute drilling instructions
- Elevated floor plates require support every 4" on center, at welded seams, and as necessary for support
- Orders with "x" in the product number (i.e. 195 x 193 x 195) indicate welding

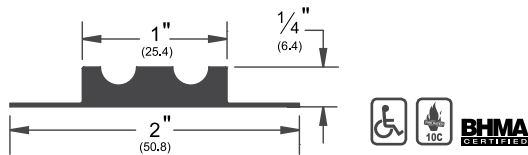


Available with PemKote™ non-slip coating (see General Information section). Please specify "PemKote™" when ordering. Please furnish drilling instructions when ordering PemKote™ as it is difficult to drill through this coating.

### E197\_

AVAILABLE FINISHES: Black (blank)

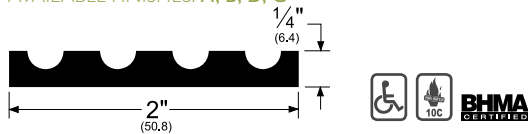
- EPDM Expansion Joint



E197\_ application

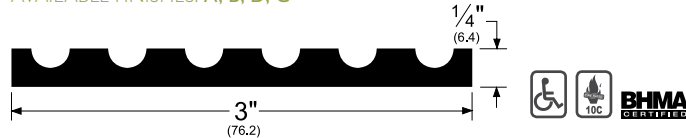
### 190\_

AVAILABLE FINISHES: A, B, D, G



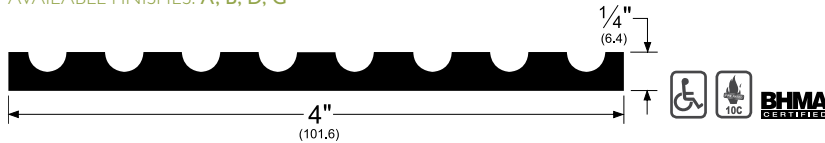
### 191\_

AVAILABLE FINISHES: A, B, D, G



### 192\_

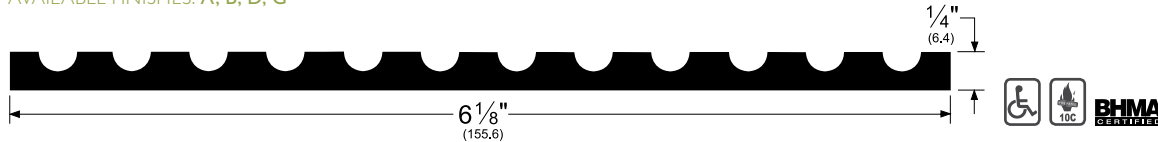
AVAILABLE FINISHES: A, B, D, G



Extruded bronze (B) plates are fluted on both sides

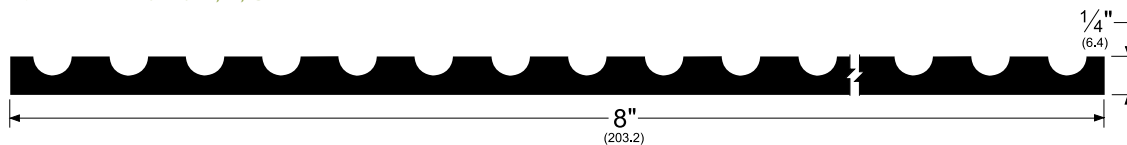
### 193\_

AVAILABLE FINISHES: A, B, D, G



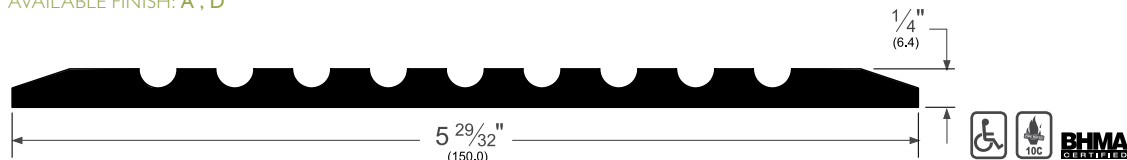
### 228\_

AVAILABLE FINISHES: A, D, G



### 2266\_

AVAILABLE FINISH: A, D

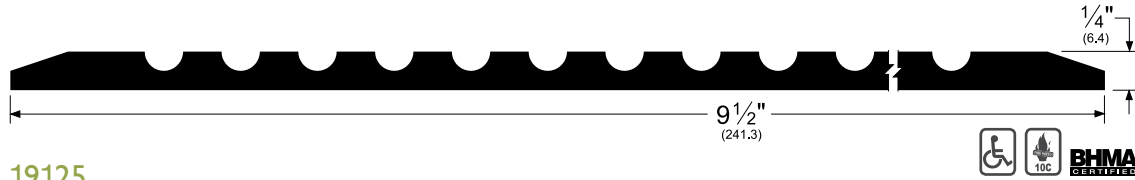


AVAILABLE FINISHES FOR PRODUCTS SHOWN ON THIS PAGE (see General Information section for finish chart)  
**A** (Mill Finish Aluminum) **B** (Mill Finish Extruded Bronze [Brass]) **D** (Dark Bronze Anodized) **G** (Gold Anodized)  
 NOTE: G is available with limited inventory

## Floor Plates/Safety Treads (Cont.)

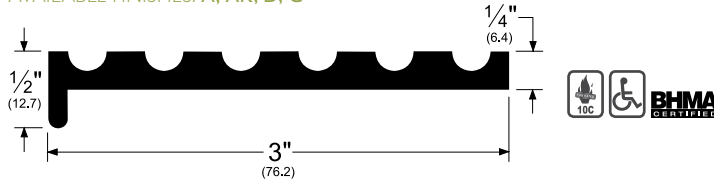
### 2286\_

AVAILABLE FINISHES: A, D, G



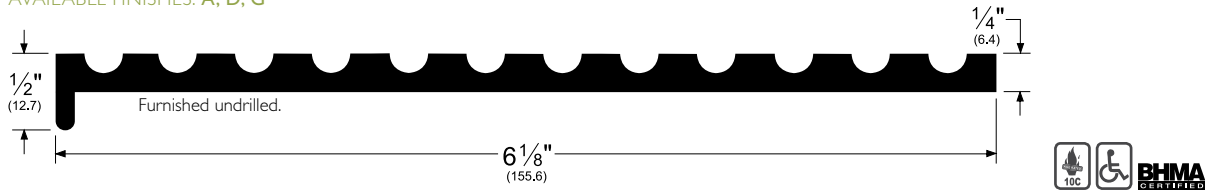
### 19125\_

AVAILABLE FINISHES: A, AK, D, G




### 19325\_

AVAILABLE FINISHES: A, D, G

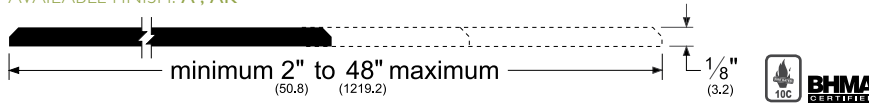


## Aluminum Plates

- Used where a cover plate, expansion joint plate or wide extra-strength metal plate is needed
- Maximum length is 144". All aluminum plates are provided NET length
- Both width edges are beveled at a 45° angle; "single edge bevel" or "no bevel" is also available at no extra cost
- Plates are supplied undrilled unless otherwise specified. PEMKO reserves the right to charge for special fastener patterns
- Plates are furnished with #10 x 1 1/2" plated wood screws. Screws supplied: one (1) screw per foot up to 8" wide; two (2) screws per foot 8" to 12" wide; and three (3) screws per foot over 12" wide
- Plates are ADA compliant only when ordered with PemKote finish 

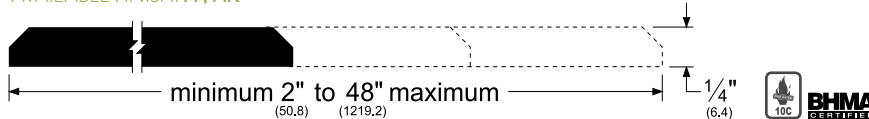
### 18/1\_ - (width x length)

AVAILABLE FINISH: A, AK



### 14/1\_ - (width x length)

AVAILABLE FINISH: A, AK



NOTE: Products shown in this section may not be drawn to scale.

AVAILABLE FINISHES FOR PRODUCTS SHOWN ON THIS PAGE (see General Information section for finish chart)

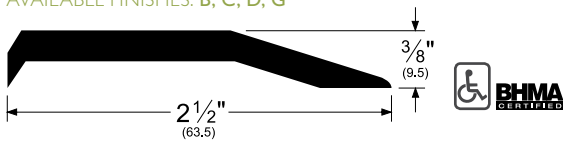
A (Mill Finish Aluminum) AK (Mill Finish Aluminum w/Pemkote Non-Slip Coating) D (Dark Bronze Anodized) G (Gold Anodized)

NOTE: G is available with limited inventory

## Carpet Separators

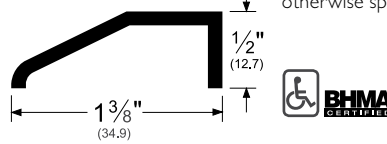
### 174\_

AVAILABLE FINISHES: B, C, D, G



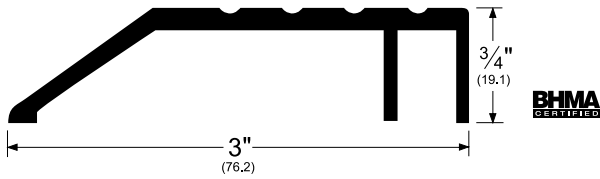
### 1951\_

AVAILABLE FINISHES: A, D Supplied undrilled unless otherwise specified



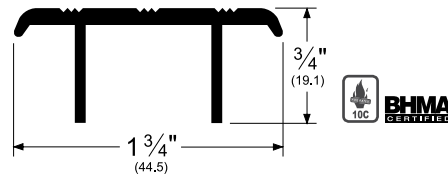
### 230\_

AVAILABLE FINISHES: A, D, G



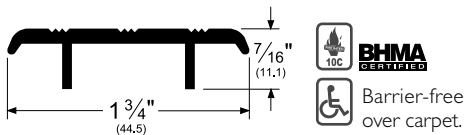
### 246\_

AVAILABLE FINISHES: A, D



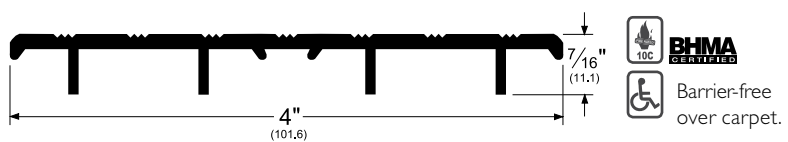
### 236\_

AVAILABLE FINISHES: A, B, BDG, D, G



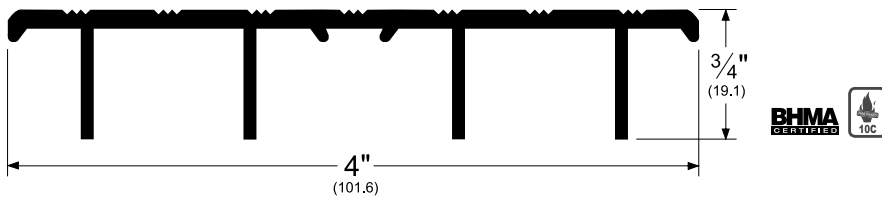
### 2364\_

AVAILABLE FINISHES: A, B, D, G



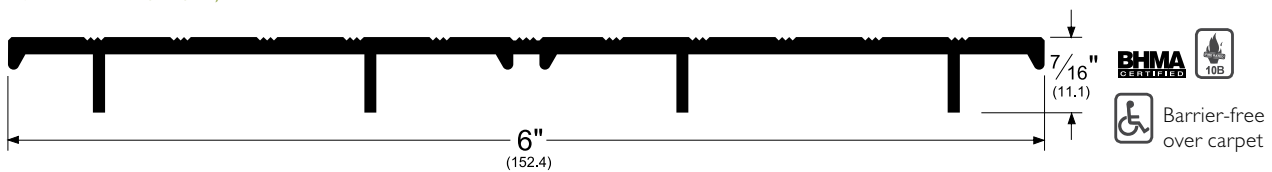
### 2464\_

AVAILABLE FINISHES: A, D, G



### 2366\_

AVAILABLE FINISHES: A, D



NOTE: Products shown in this section may not be drawn to scale.

AVAILABLE FINISHES FOR PRODUCTS SHOWN ON THIS PAGE (see General Information section for finish chart)

**A** (Mill Finish Aluminum) **B** (Mill Finish Extruded Bronze [Brass]) **BDG** (Bright Dip Gold Anodized)  
**C** (Clear Anodized) **D** (Dark Bronze Anodized) **G** (Gold Anodized)

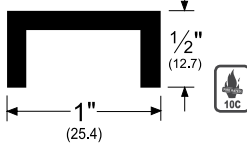
NOTE: G is available with limited inventory

## Floor Plate Supports/Accessories

- Please see information under Floor Plates and Safety Treads (page CT-21)

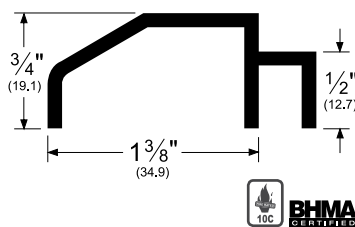
### 189\_

AVAILABLE FINISHES: A, B, D, G



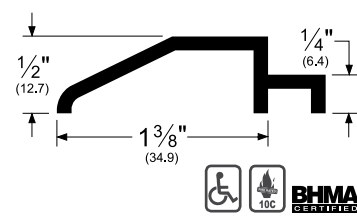
### 194\_

AVAILABLE FINISHES: A, B, D, G



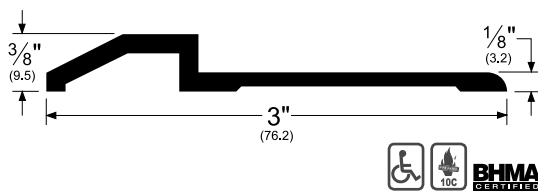
### 195\_

AVAILABLE FINISHES: A, B, D, G



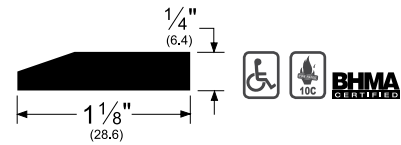
### 200\_

AVAILABLE FINISHES: A, B, D, G



### 196\_

AVAILABLE FINISHES: A, B, D, G



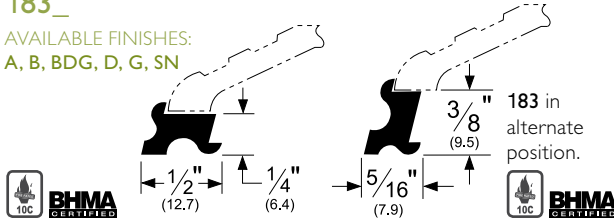
Please specify whether 196 material is to be used as trim or support

## Elevators

- Elevators allow for custom sizing in offset conditions

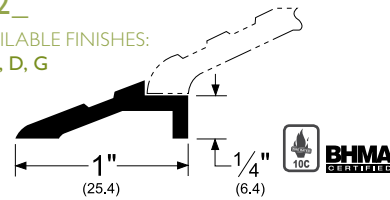
### 183\_

AVAILABLE FINISHES:  
A, B, BDG, D, G, SN



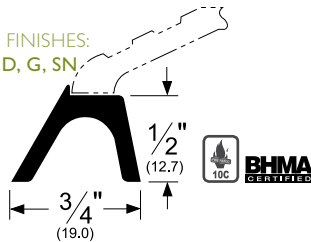
### 282\_

AVAILABLE FINISHES:  
A, B, D, G



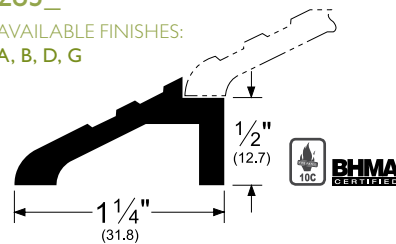
### 188\_

AVAILABLE FINISHES:  
A, B, BDG, D, G, SN



### 283\_

AVAILABLE FINISHES:  
A, B, D, G



AVAILABLE FINISHES FOR PRODUCTS SHOWN ON THIS PAGE (see General Information section for finish chart)

A (Mill Finish Aluminum) B (Mill Finish Extruded Bronze [Brass]) BDG (Bright Dip Gold Anodized)  
D (Dark Bronze Anodized) G (Gold Anodized) SN (Satin Nickel Anodized)

NOTE: G, SN are available with limited inventory

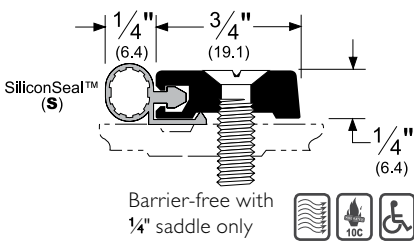
## Threshold Stop Strips

- Use with standard flat top threshold saddle to provide a door stop and seal at bottom of door
- Stop strips are supplied pre-drilled with #10-24 Phillips flat head machine screws of appropriate length
- These stops will effect the pivot hole location of an assembly

### 1842\_S

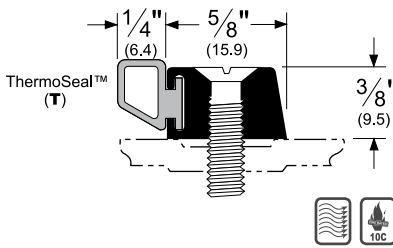
AVAILABLE FINISHES: A, D, G

Allow 1/8" door clearance from top of threshold



### 184\_T

AVAILABLE FINISHES: A, B, D, G



### Alternate inserts for Threshold Stop Strips

#### 1842\_PK

#### 290\_PKSTOP



PemkoPrene™ (PK)

#### 184\_P

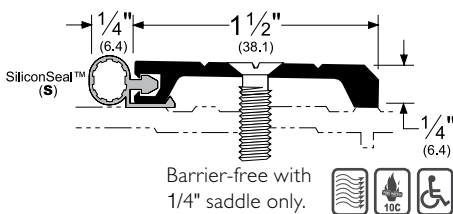


pile (P)

### 290\_SSTOP

AVAILABLE FINISHES: A, D, G

Allow 1/8" door clearance from top of threshold



NOTE: Products shown in this section may not be drawn to scale.

AVAILABLE FINISHES FOR PRODUCTS SHOWN ON THIS PAGE (see General Information section for finish chart)

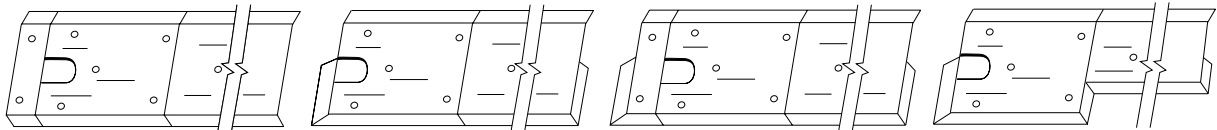
A (Mill Finish Aluminum) B (Mill Finish Extruded Bronze [Brass]) D (Dark Bronze Anodized) G (Gold Anodized)

NOTE: G is available with limited inventory

## Floor Closer Thresholds/Cover Plate Assemblies

- **TYPE OF ASSEMBLY** – Type 11 or 14 for center hung, Type 13 or 15 for offset hung
- **MATERIALS** – Saddles, floor plates, supports, risers, elevators, and stop strips
- **CLOSER TO BE USED** – Manufacturer and model number
- **NET LENGTH** – Jamb-to-Jamb. Assembly Types 11, 13 and 14 are cut with center section  $\frac{1}{2}$ " over net length up to 48" and 1" over net length over 48" to allow for fitting on the job. Please specify "net length", if required. Assembly Type 15 is cut at net length because of factory-cut miters
- **HANDING** – For single doors, specify right or left hand. For pairs of doors, handing is not required
- **SPECIAL FINISHES** – Examples include polished, oxidized and oil rubbed, Satin Buff, and PemKote™
- **SPECIAL FASTENERS** – For center section only. Examples include: MS and ES, FHSL25 and SS/MS & ES
- **SPECIAL FABRICATION INSTRUCTIONS** – Notching, full miters, etc. Assembly Type 11 is supplied without mitered ends, and assembly Types 13, 14 and 15 are supplied with both ends mitered. Also, when ordering stop strips (shown on page 42), specify door thickness and pivot offset so that the threshold assembly width and pivot dimension can be determined
- **RETURNS AND ALLOWANCES** – No merchandise made for special order will be accepted for return or credit

| THRESHOLD WIDTH | FASTENER ROWS | THRESHOLD WIDTH | FASTENER ROWS |
|-----------------|---------------|-----------------|---------------|
| 2" TO 7-7/8"    | 1 Row         | 19" to 24-7/8"  | 4 Rows        |
| 8" to 12-7/8"   | 2 Rows        | 25" to 30-7/8"  | 5 Rows        |
| 13" to 18-7/8"  | 3 Rows        | 31" to 36-7/8"  | 6 Rows        |



TYPE 11

TYPE 13

TYPE 14

TYPE 15

### THRESHOLDS FOR TYPE 11, 13, 14

| SIZE                                      | PRODUCT NUMBER | FINISHES   | PRODUCT NUMBER | FINISHES |
|---|----------------|------------|----------------|----------|
| $\frac{1}{2}$ " x 7"                      | 176_           | A, B, D, G |                |          |
| $\frac{1}{4}$ " x 7"                      | 276_           | A, B, D, G |                |          |
| $\frac{1}{2}$ " x 8"                      | 2548_          | A, D, G    | 254_ x 4_      | B        |
| $\frac{1}{4}$ " x 8"                      | 2748_          | A, D, G    | 274_ x 4_      | B        |
| $\frac{1}{2}$ " x 8 $\frac{7}{8}$ "       | 193_ x 2/195_  | A, B, D, G |                |          |
| * $\frac{3}{4}$ " x 12" x $\frac{1}{4}$ " | 257_ x 259_    | A, B, D, G |                |          |

\* Ramp threshold for  $\frac{1}{2}$ " offset.

### THRESHOLDS FOR TYPE 15

| SIZE                      | PRODUCT NUMBER | FINISHES   | PRODUCT NUMBER  | FINISHES |
|---------------------------|----------------|------------|-----------------|----------|
| $\frac{1}{2}$ " x 7" x 4" | 176_ x 170_    | A, B, D, G |                 |          |
| $\frac{1}{4}$ " x 7" x 4" | 276_ x 270_    | A, B, D, G |                 |          |
| $\frac{1}{2}$ " x 7" x 5" | 176_ x 171_    | A, B, D, G |                 |          |
| $\frac{1}{4}$ " x 7" x 5" | 276_ x 271_    | A, B, D, G |                 |          |
| $\frac{1}{2}$ " x 8" x 4" | 2548_ x 170_   | A, D, G    | 254 x 4_ x 170_ | B        |
| $\frac{1}{4}$ " x 8" x 4" | 2748_ x 270_   | A, D, G    | 274 x 4_ x 270_ | B        |
| $\frac{1}{2}$ " x 8" x 5" | 2548_ x 171_   | A, D, G    | 254 x 4_ x 171_ | B        |
| " x 8" x 5"               | 2748_ x 271    | A, D, G    | 274 x 4_ x 271_ | B        |

AVAILABLE FINISHES FOR PRODUCTS SHOWN ON THIS PAGE (see General Information section for finish chart)

A (Mill Finish Aluminum) B (Mill Finish Extruded Bronze [Brass]) D (Dark Bronze Anodized) G (Gold Anodized)

NOTE: G is available with limited inventory

# MODULAR RAMPS

## CONTENTS:

|  |       |
|--|-------|
| Modular Ramp Threshold Assemblies - Flush Applications.....                  | MR-2  |
| Modular Ramp Threshold Assemblies - Offset Applications (7" Top Plate).....  | MR-3  |
| Modular Ramp Threshold Assemblies - Offset Applications (3½" Top Plate)..... | MR-4  |
| Modular Ramp Threshold Components .....                                      | MR-5  |
| Modular Ramp Threshold Assemblies - Variables.....                           | MR-6  |
| Riser For Modular Ramps.....   | MR-6  |
| Miter Returns For All Modular Ramp Thresholds.....                           | MR-7  |
| Barrier-Free Ramp Thresholds.....  | MR-8  |
| Fire Retardant and Styrene Butadiene Rubber Ramp Thresholds.....             | MR-9  |
| Rubber Ramp Miter Returns.....   | MR-10 |
| Recycled Rubber Ramp Assembly.....   | MR-10 |

## INDEX:


| <u>PRODUCT</u>  | <u>PAGE</u> | <u>PRODUCT</u>  | <u>PAGE</u> | <u>PRODUCT</u>  | <u>PAGE</u> |
|-----------------|-------------|-----------------|-------------|-----------------|-------------|
| 257.....        | MR-8        | R1.25OSS.....   | MR-4        | RAMP 3.....     | MR-5        |
| 257x259.....    | MR-8        | R1.25OSSMR..... | MR-4        | RAMP 4.....     | MR-5        |
| 259.....        | MR-8        | R1.5F.....      | MR-2        | RAMP 5.....     | MR-5        |
| R.5F.....       | MR-2        | R1.5FMR.....    | MR-2        | RAMP 6.....     | MR-5        |
| R.5FMR.....     | MR-2        | R1.5OS.....     | MR-3        | RAMP 7.....     | MR-6        |
| R.5OS.....      | MR-3        | R1.5OSMR.....   | MR-3        | RAMP 8.....     | MR-5, MR-6  |
| R.5OSSMR.....   | MR-3        | R1.5OSS.....    | MR-4        | RAMP 9.....     | MR-5, MR-6  |
| R.5OSS.....     | MR-4        | R1.5OSSMR.....  | MR-4        | RAMP10.....     | MR-5, MR-6  |
| R.5OSSMR.....   | MR-4        | R1.75F.....     | MR-2        | RAMP 11.....    | MR-5, MR-6  |
| R.75F.....      | MR-2        | R1.75FMR.....   | MR-2        | RAMP 12.....    | MR-5, MR-6  |
| R.75FMR.....    | MR-2        | R1.75OS.....    | MR-3        | RAMP 13.....    | MR-6        |
| R.75OS.....     | MR-3        | R1.75OSMR.....  | MR-3        | RAMP 14.....    | MR-6        |
| R.75OSMR.....   | MR-3        | R1.75OSS.....   | MR-4        | RR1.25FMR.....  | MR-10       |
| R.75OSS.....    | MR-4        | R1.75OSSMR..... | MR-4        | RR1.....        | MR-9        |
| R.75OSSMR.....  | MR-4        | R2F.....        | MR-2        | RR2.....        | MR-9        |
| R1F.....        | MR-2        | R2FMR.....      | MR-2        | RR12_H.....     | MR-10       |
| R1FMR.....      | MR-2        | R2OS.....       | MR-3        | RVARIOSS.....   | MR-6        |
| R1OS.....       | MR-3        | R2OSMR.....     | MR-3        | SBR.5F.....     | MR-9        |
| R1OSMR.....     | MR-3        | R2OSS.....      | MR-4        | SBR.5FMR.....   | MR-9        |
| R1OSS.....      | MR-4        | R2OSSMR.....    | MR-4        | SBR1F.....      | MR-9        |
| R1OSSMR.....    | MR-4        | R2.25F.....     | MR-2        | SBR1FMR.....    | MR-9        |
| R1.25F.....     | MR-2        | R2.25FMR.....   | MR-2        | WING 10_H.....  | MR-7        |
| R1.25FMR.....   | MR-2        | RAMP 1.....     | MR-5        | WING 16_H.....  | MR-7        |
| R1.25OS.....    | MR-3        | RAMP 2.....     | MR-6        | WING EXT_H..... | MR-7        |
| R1.25OSSMR..... | MR-3        |                 |             |                 |             |

## Modular Ramp Threshold Assemblies

- Assemblies accommodate 1/2" to 2 1/4" floor offsets in meeting the 1:12 slope requirements of the "Americans with Disabilities Act". Even higher offsets can be accommodated by using the risers, **RAMP13\_** and **RAMP14\_**
- "MR" in a product number denotes that one-pair of miter returns (and extenders, if applicable) is included. Otherwise, we recommend filling and feathering the threshold ends with grout. Do not leave threshold ends open
- Miter Returns are available for offsets up to 2 1/4"
- Assemblies are supplied with #10 stainless steel wood

screws. Stainless steel machine screws and expansion shields are available at an extra cost

- Assemblies allow for custom fabrication; please consult PEMKO Customer Service
- Assemblies are provided NET length

PemKote™ is highly recommended for all threshold assemblies, especially exterior conditions where moisture may be present.  Only with PemKote™ Non-Slip Coating

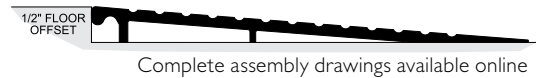
## Flush Applications

### 1/2" Floor Offset

**R.5F\_**  
**R.5FMR\_ \*\***



AVAILABLE FINISHES: **A, AK**  
ASSEMBLY LENGTH: 6 1/8"  
# OF COMPONENTS: 1

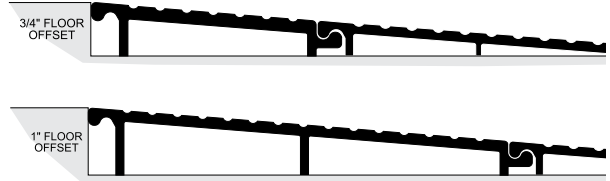


### 3/4" Floor Offset

**R.75F\_**  
**R.75FMR\_ \*\***



AVAILABLE FINISHES: **A, AK**  
ASSEMBLY LENGTH: 9 1/4"  
# OF COMPONENTS: 2



### 1" Floor Offset

**R1F\_**  
**R1FMR\_ \*\***



AVAILABLE FINISHES: **A, AK**  
ASSEMBLY LENGTH: 12 3/8"  
# OF COMPONENTS: 2



### 1 1/4" Floor Offset

**R1.25F\_**  
**R1.25FMR\_ \*\***



AVAILABLE FINISHES: **A, AK**  
ASSEMBLY LENGTH: 15 1/2"  
# OF COMPONENTS: 3

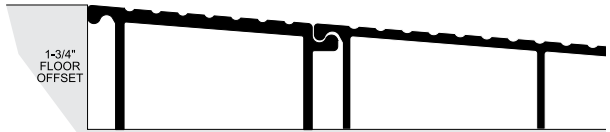


### 1 1/2" Floor Offset

**R1.5F\_**  
**R1.5FMR\_ \*\***



AVAILABLE FINISHES: **A, AK**  
ASSEMBLY LENGTH: 18 3/8"  
# OF COMPONENTS: 3

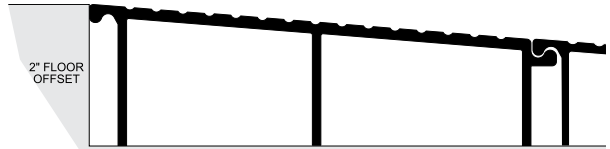


### 1 3/4" Floor Offset

**R1.75F\_**  
**R1.75FMR\_ \*\***



AVAILABLE FINISHES: **A, AK**  
ASSEMBLY LENGTH: 21 3/4"  
# OF COMPONENTS: 4

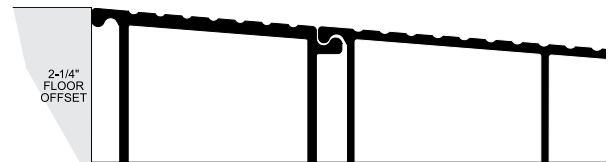


### 2" Floor Offset

**R2F\_**  
**R2FMR\_ \*\***



AVAILABLE FINISHES: **A, AK**  
ASSEMBLY LENGTH: 24 7/8"  
# OF COMPONENTS: 4



### 2 1/4" Floor Offset

**R2.25F\_**  
**R2.25FMR\_ \*\***



AVAILABLE FINISHES: **A, AK**  
ASSEMBLY LENGTH: 28"  
# OF COMPONENTS: 5

NOTE: Greater offset may be accomplished by using PEMKO risers.  
\*\* = Miter Returns are not ADA Compliant

AVAILABLE FINISHES FOR PRODUCTS SHOWN ON THIS PAGE (see General Information section for finish chart)  
**A** (Mill Finish Aluminum) **AK** (Mill Finish Aluminum with PemKote™ Non-Slip Coating)



## Offset Applications (7" Top Plate)

### 1/2" Floor Offset

**R.5OS\_**  
**R.5OSMR\_\*\***



AVAILABLE FINISHES: **A, AK**  
ASSEMBLY LENGTH\*: 16 1/4"  
# OF COMPONENTS: 3



Complete assembly drawings available online.

### 3/4" Floor Offset

**R.75OS\_**  
**R.75OSMR\_\*\***



AVAILABLE FINISHES: **A, AK**  
ASSEMBLY LENGTH\*: 19 3/8"  
# OF COMPONENTS: 3



### 1" Floor Offset

**R1OS\_**  
**R1OSMR\_\*\***



AVAILABLE FINISHES: **A, AK**  
ASSEMBLY LENGTH\*: 22 1/2"  
# OF COMPONENTS: 4



### 1 1/4" Floor Offset

**R1.25OS\_**  
**R1.25OSMR\_\*\***



AVAILABLE FINISHES: **A, AK**  
ASSEMBLY LENGTH\*: 25 5/8"  
# OF COMPONENTS: 4



### 1 1/2" Floor Offset

**R1.5OS\_**  
**R1.5OSMR\_\*\***



AVAILABLE FINISHES: **A, AK**  
ASSEMBLY LENGTH\*: 28-3/4"  
# OF COMPONENTS: 5



### 1 3/4" Floor Offset

**R1.75OS\_**  
**R1.75OSMR\_\*\***



AVAILABLE FINISHES: **A, AK**  
ASSEMBLY LENGTH\*: 31 7/8"  
# OF COMPONENTS: 5

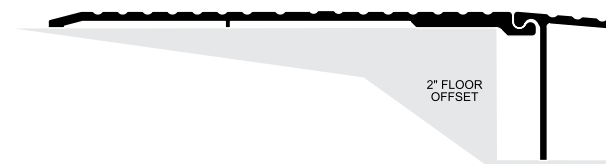


### 2" Floor Offset

**R2OS\_**  
**R2OSMR\_\*\***



AVAILABLE FINISHES: **A, AK**  
ASSEMBLY LENGTH\*: 35"  
# OF COMPONENTS: 6



NOTE: Greater offset may be accomplished by using PEMKO risers.  
\*\* = Miter Returns are not ADA Compliant



Assembly Shown: R.5OS

AVAILABLE FINISHES FOR PRODUCTS SHOWN ON THIS PAGE (see General Information section for finish chart)  
**A** (Mill Finish Aluminum) • **AK** (Mill Finish Aluminum with PemKote™ Non-Slip Coating)

## Short Offset Applications (3½" Top Plate)

### ½" Floor Offset

**R.5OSS\_**  
**R.5OSSMR\_\*\***



AVAILABLE FINISHES: **A, AK**  
ASSEMBLY LENGTH\*: 12¾"  
# OF COMPONENTS: 3



Complete assembly drawings available online.

### ¾" Floor Offset

**R.75OSS\_**  
**R.75OSSMR\_\*\***



AVAILABLE FINISHES: **A, AK**  
ASSEMBLY LENGTH\*: 15⅞"  
# OF COMPONENTS: 3



### 1" Floor Offset

**R1OSS\_**  
**R1OSSMR\_\*\***



AVAILABLE FINISHES: **A, AK**  
ASSEMBLY LENGTH\*: 19"  
# OF COMPONENTS: 4



### 1¼" Floor Offset

**R1.25OSS\_**  
**R1.25OSSMR\_\*\***



AVAILABLE FINISHES: **A, AK**  
ASSEMBLY LENGTH\*: 22⅛"  
# OF COMPONENTS: 4

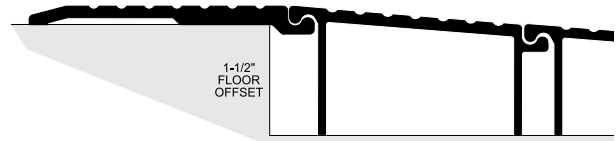


### 1½" Floor Offset

**R1.5OSS\_**  
**R1.5OSSMR\_\*\***



AVAILABLE FINISHES: **A, AK**  
ASSEMBLY LENGTH\*: 25¼"  
# OF COMPONENTS: 5

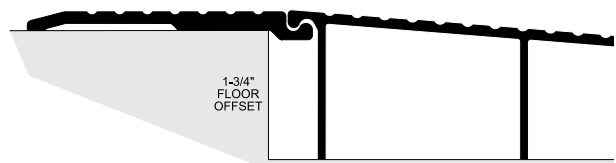


### 1¾" Floor Offset

**R1.75OSS\_**  
**R1.75OSSMR\_\*\***



AVAILABLE FINISHES: **A, AK**  
ASSEMBLY LENGTH\*: 28⅜"  
# OF COMPONENTS: 5

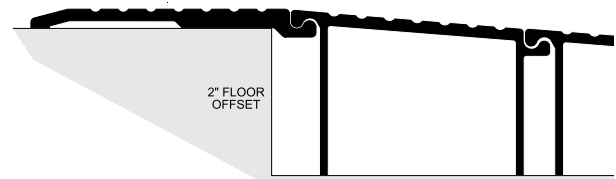


### 2" Floor Offset

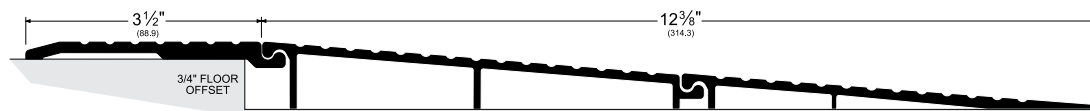
**R2OSS\_**  
**R2OSSMR\_\*\***



AVAILABLE FINISHES: **A, AK**  
ASSEMBLY LENGTH\*: 31½"  
# OF COMPONENTS: 6






NOTE: Greater offset may be accomplished by using PEMKO risers.  
\*\* = Miter Returns are not ADA Compliant



Assembly Shown: R.75OSS

AVAILABLE FINISHES FOR PRODUCTS SHOWN ON THIS PAGE (see General Information section for finish chart)  
**A** (Mill Finish Aluminum) **AK** (Mill Finish Aluminum with PemKote™ Non-Slip Coating)

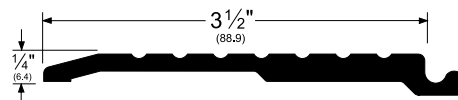
## Modular Ramp Threshold Components

- Components are generally sold as part of assemblies
- Ramp Assemblies consist of interlocking components, eliminating the need to weld joints. Interlocking ball-joint design allows each component to flex and conform to uneven surfaces
- All assemblies carry the following labels:   
- PemKote™ is highly recommended for all threshold assemblies, especially exterior conditions where moisture may be present
- **NOTE: The following pages are for component identification only. Do not order from these pages. Order only complete assemblies from pages MR-2 - MR-4**

## Top Plates

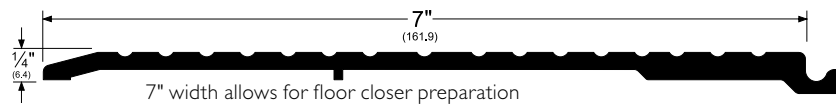
### RAMP8\_

Short top plate  
AVAILABLE FINISHES: A, AK

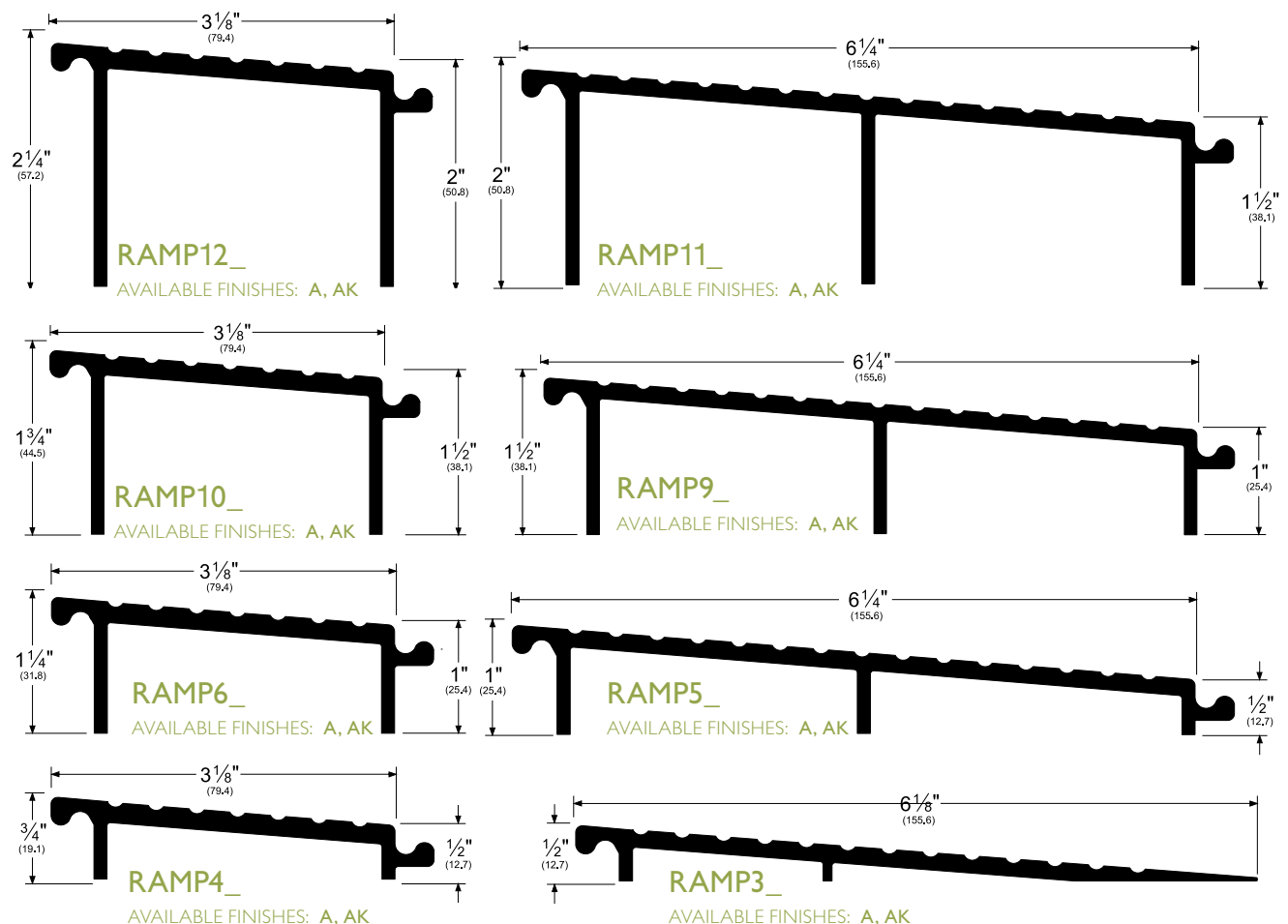


### RAMP1\_

Top plate  
AVAILABLE FINISHES: A, AK






## Bridges



AVAILABLE FINISHES FOR PRODUCTS SHOWN ON THIS PAGE (see General Information section for finish chart)  
A (Mill Finish Aluminum) AK (Mill Finish Aluminum with PemKote™ Non-Slip Coating)

## Modular Ramp Threshold Assemblies - Variables

- Use a "Variable" component to accommodate offsets from 1/2" to 1 1/4". These meet the 1:8 maximum slope allowance (**ADA**) for existing buildings
- May require a variance from some state building codes, even though ADA compliant
- Ideal for use in cross traffic corridors where a minimal ramp projection may be required and a steeper slope may be allowed
- Supplied with #10 stainless steel sheet metal screws. Stainless steel machine screws and expansion shields are available at an extra cost
- Miter returns are not available due to the variable angle of this ramp. Please fill and feather the threshold ends. Do not leave threshold ends open
- This variable ramp is supplied un-drilled from PEMKO. Due to the variance in the angle, it must be drilled in the field. For proper installation, it requires the **RAMP7\_** to be placed under **RAMP2\_** after the assembly is in place, then must be match drilled and anchored through both components
- PemKote™ is highly recommended for all ramp threshold assemblies especially exterior conditions where moisture may be present
- All assemblies carry the following labels:   

### RVARIOSS\_

AVAILABLE FINISHES: A, AK

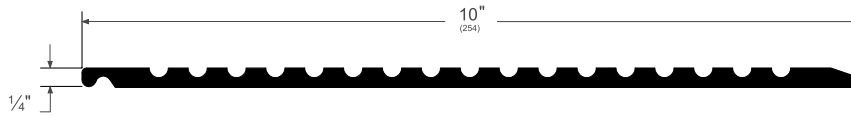


## Variable Ramp Components

### RAMP2\_

variable

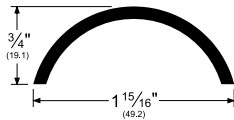
AVAILABLE FINISHES: A, AK



### RAMP7\_

support for variable

AVAILABLE FINISHES: A, AK

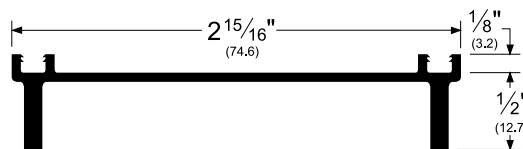


## Risers for Modular Ramps

- Risers easily attach to the legs of PEMKO's Modular Ramp Systems. Each adds 1/2" in height to accommodate offsets greater than 2 1/4"
- Contact PEMKO Customer Service for information on stacking risers to reach desired height

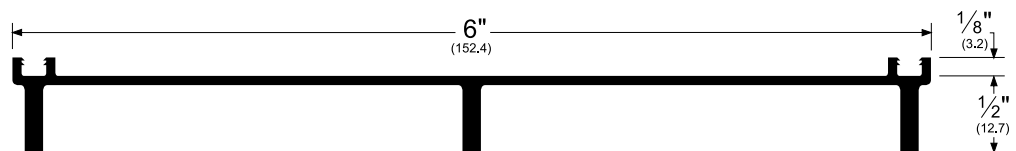
### RAMP13\_

AVAILABLE FINISHES: A, AK



### RAMP14\_

AVAILABLE FINISHES: A, AK



NOTE: Products shown in this section are not drawn to scale.

AVAILABLE FINISHES FOR PRODUCTS SHOWN ON THIS PAGE (see General Information section for finish chart)  
A (Mill Finish Aluminum) AK (Mill Finish Aluminum with PemKote™ Non-Slip Coating)

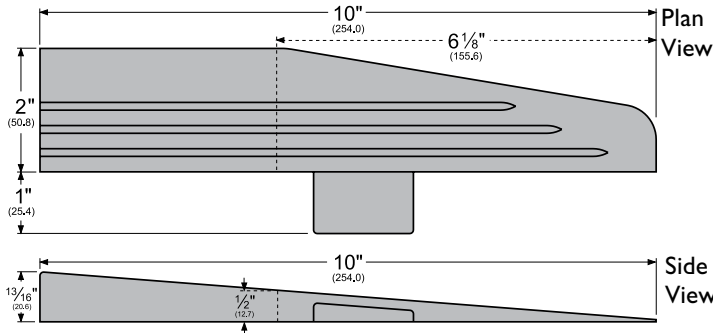
## Miter Returns For Modular Ramp Thresholds

- Cast aluminum “wings” fit into end of modular ramp threshold assembly and are fastened to ramp mid sections with self-tapping machine screws
- Neat, compact, and tight-fitting design replaces former mitering methods
- Miter Returns are match-drilled with each assembly
- Miter Returns are not “ADA” compliant

### WING10\_H\_

AVAILABLE FINISHES: **A, AK**

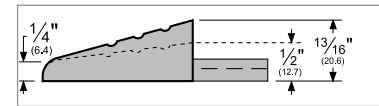
- WING10 can be trimmed to fit ramp assembly (dotted lines show cut down for use with R.5FMR\_)



### WING10RH\_

(right-hand) shown

End View

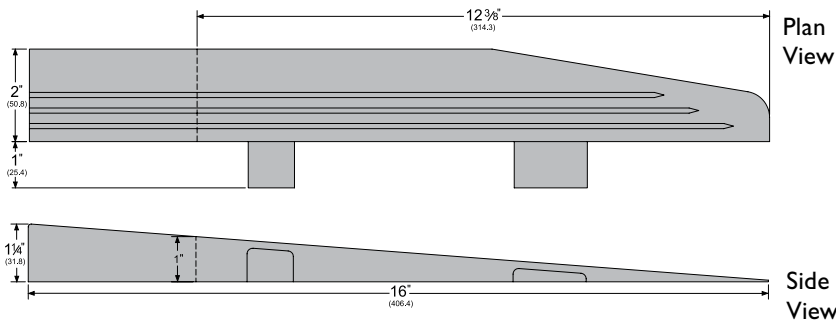


View from high-end

### WING16\_H\_

AVAILABLE FINISHES: **A, AK**

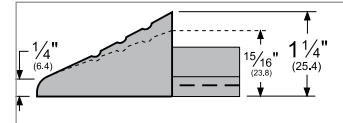
- WING16 can be trimmed to fit ramp assembly (dotted lines show cut down for use with R1FMR\_)



### WING16RH\_

(right-hand) shown

End View

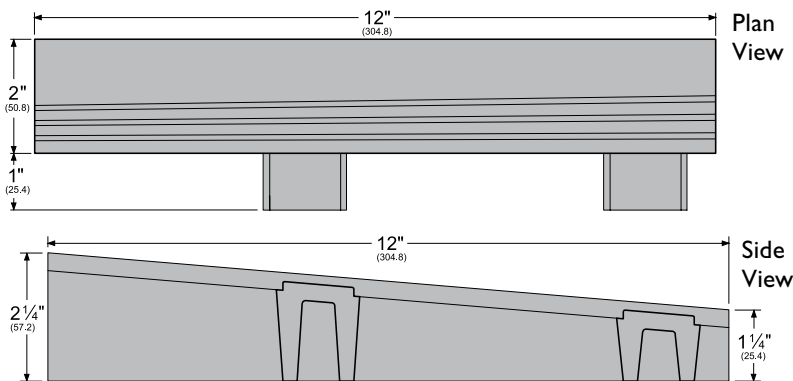


View from high-end

### WINGEXT\_H\_

AVAILABLE FINISHES: **A, AK**

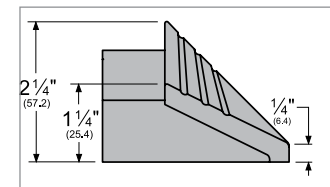
- WINGEXT are included with assemblies to completely fill ends for 2" offset or 2 1/4" flush conditions  
WINGEXT works in conjunction with WING16 for these higher offset conditions



### WINGEXTRH\_

(right-hand) shown

End View



View from high-end

See flyer on the Literature page of [www.pemko.com](http://www.pemko.com) for WING cut-down chart.

AVAILABLE FINISHES FOR PRODUCTS SHOWN ON THIS PAGE (see General Information section for finish chart)

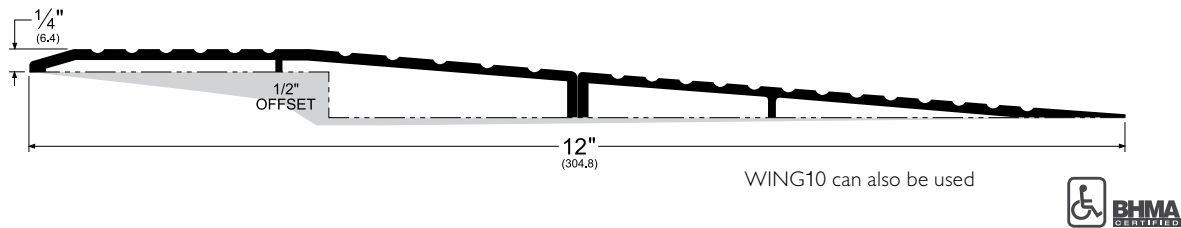
**A** (Mill Finish Aluminum) **AK** (Mill Finish Aluminum with PemKote™ Non-Slip Coating)

## Barrier-Free Ramp Thresholds

- The modular ramp thresholds are an improvement over the **257/259** however, **257/259** will remain available for special requirements
- Use **257\_** and **259\_** together, or use **257\_** with an abutted 1:12 concrete slope
- When used as a cover plate assembly (see Commercial Thresholds section), a longer spindle may be required
- Ramps on this page are not ADA compliant when used at a door opening
- The **257\_** is not ADA compliant when used alone.
- PemKote™ is highly recommended for all threshold assemblies, especially exterior conditions where moisture may be present

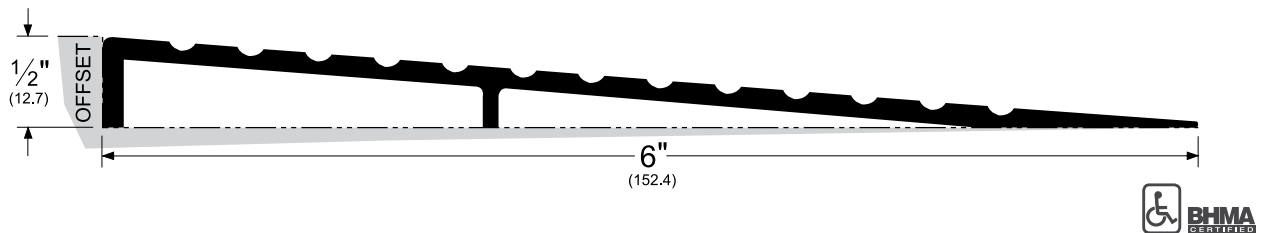
### 257 x 259\_

AVAILABLE FINISHES: A, B, D, G



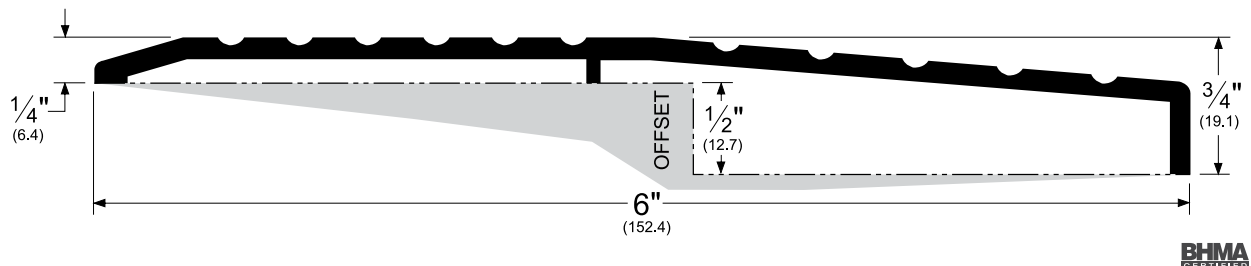
### 259\_

AVAILABLE FINISHES: A, B, D, G



### 257\_

AVAILABLE FINISHES: A, B, D, G



NOTE: Products shown in this section are not drawn to scale.

AVAILABLE FINISHES FOR PRODUCTS SHOWN ON THIS PAGE (see General Information section for finish chart)

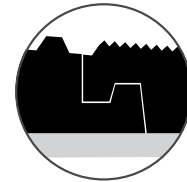
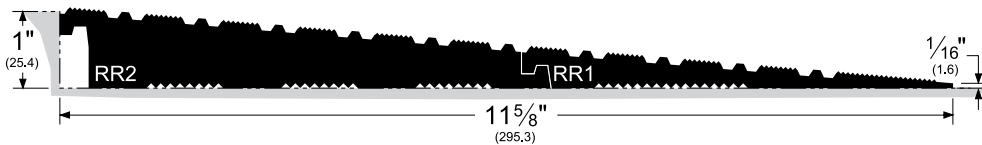
A (Mill Finish Aluminum) AK (Mill Finish Aluminum with PemKote™ Non-Slip Coating) B (Mill Finish Extruded Bronze [Brass]) D (Dark Bronze Anodized) G (Gold Anodized)

## Fire Retardant and Styrene Butadiene Rubber Ramp Thresholds

- Rubber ramps meet the requirements of **ADAAG-2010**; **IBC/ANSI A117.1**; and **California Title 24, Part 2**
- Styrene butadiene rubber ramps are weather, ozone, abrasion, and impact resistant; long-lasting and fire retardant
- Rubber ramps are sold in one foot increments up to 15-foot lengths
- Rubber ramps can be butted together for longer lengths
- Rubber ramps are cut square on each end but are available with molded rubber miter returns. To receive a pair of miter returns, add "MR" to the part number (example: **SBR.5FMR**)
- Rubber ramps have a superior grip, anti-slip surface and a "no bump" tapered lead edge. Rubber ramps are classified by Underwriters Laboratories, Inc.,<sup>®</sup> as a skid-resistant floor surface per **UL standard for safety, UL410**. Rubber ramps also meet the requirements of **ASTM D 2047** and **Federal Specification P-F-430C**
- Rubber ramps are easy to install on most surfaces by using a construction adhesive. Mechanical fasteners are not required and not recommended
- Rubber ramps are also portable. For temporary applications, an assembly stays in place by its sheer weight and can be removed from one opening and placed at another opening
- Use **RR200** to glue rubber ramps to floor surfaces
- Rubber ramps are available for 1/2" and 1" offset heights
- Rubber ramps can be cross-cut to length or ripped to a custom offset height using a table or radial arm saw with a carbide-tipped blade. These modifications must be made in the field

### SBR1F

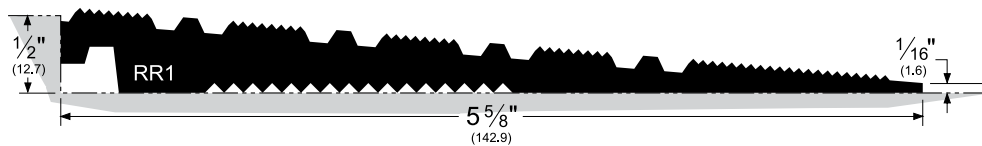
#### SBR1FMR \*\*



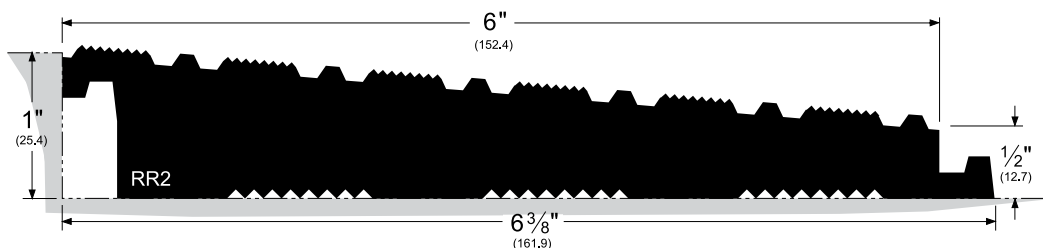
Assembly consists of two inter-locking components.

### SBR.5F

#### SBR.5FMR \*\* RR1



### RR2



This component (**RR2**) is not ADA compliant when used by itself.

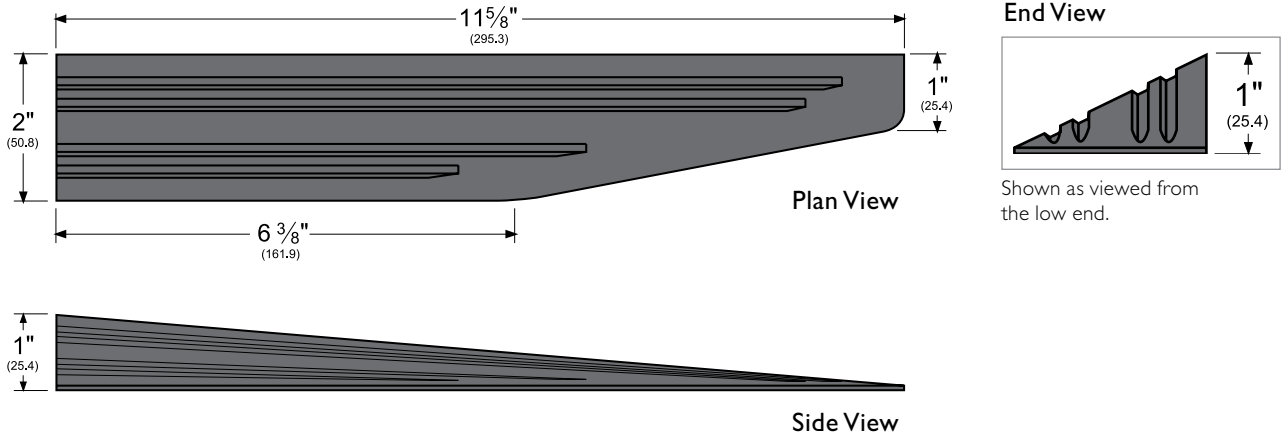
NOTE: Products shown in this section are not drawn to scale.

\*\* = Miter Returns are not ADA compliant

## Rubber Ramp Miter Returns

- Made from molded styrene butadiene rubber
- Glue miter returns to each end using an adhesive such as **RR200**
- Miter Returns are supplied in pairs: one left-hand (**RR12LH**) and one right-hand (**RR12RH**)
- If only one miter return is required, specify the handing

### RR12\_H



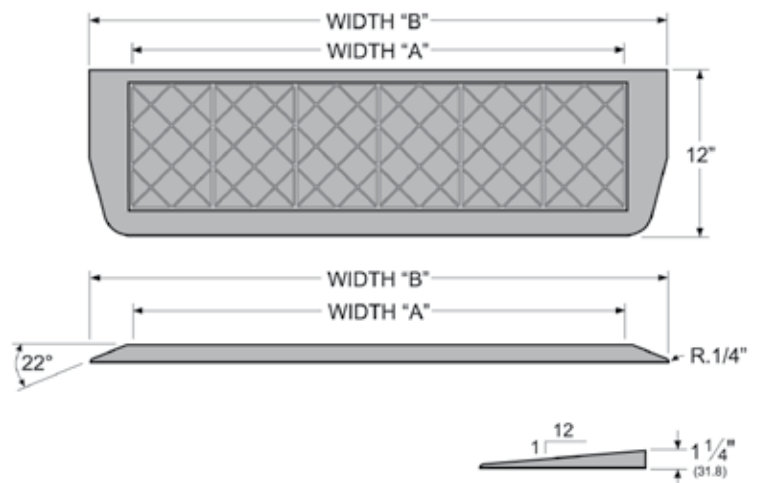
## Recycled Rubber Ramp Assembly

- ADA Compliant, based on application
- Meets: UL410, ASTM D2047, Federal Specification P-F-430C
- Recycled Rubber Ramp Assemblies meet **IBC/ANSI A117.1-2010**
- Made from #20 mesh minus crumb rubber (with urethane binders) reclaimed from 100% recycled rubber automotive tires
- PEMKO strongly recommends using **RR200** to glue rubber ramps to floor surfaces. Avoid Liquid Nails with Rubber Ramps
- Using ordinary tools, trim to fit your application
- Can be ripped for offsets less than 1 1/4"
- Plane bottom surface of ramp to accommodate irregular surface conditions
- Miter returns are molded into the design of the Recycled Rubber Ramp
- 36" and 60" ramps are supplied as one (1) piece assemblies
- 48" and 72" ramps are supplied as two (2) piece assemblies

### Ordering Chart

Other sizes are available, please contact PEMKO customer service.

| PART #      | WIDTH "A"<br>(door opening) | WIDTH "B"<br>(total width) |
|-------------|-----------------------------|----------------------------|
| RR1.25FMR36 | 36"                         | 41"                        |
| RR1.25FMR48 | 48"                         | 53"                        |
| RR1.25FMR60 | 60"                         | 65"                        |
| RR1.25FMR72 | 72"                         | 77"                        |
| RR1.25FMR96 | 96"                         | 101"                       |







# DOOR BOTTOMS

## CONTENTS:

|  |              |
|--|--------------|
| Automatic Door Bottoms.....              | DB-2-DB-6    |
| Security Door Bottoms.....               | DB-7         |
| Residential Automatic Door Bottoms ..... | DB-7         |
| Specialty Door Bottoms.....              | DB-8         |
| Vinyl Door Shoes.....                    | DB-8         |
| Door Shoes.....                          | DB-9-DB-11   |
| Door Bottom Sweeps.....                  | DB-12, DB-13 |
| Stainless Steel Door Bottom Sweeps.....  | DB-13        |
| Door Top Weatherstrip.....               | DB-14        |

## INDEX:

| <u>PRODUCT</u> | <u>PAGE</u> | <u>PRODUCT</u> | <u>PAGE</u>  | <u>PRODUCT</u> | <u>PAGE</u> |
|----------------|-------------|----------------|--------------|----------------|-------------|
| 56.....        | DB-12       | 321SS .....    | DB-13        | 3692.....      | DB-9        |
| 57.....        | DB-12       | 343.....       | DB-14        | 4131.....      | DB-3, DB-4  |
| 68.....        | DB-14       | 344.....       | DB-14        | 4301.....      | DB-3, DB-4  |
| 99.....        | DB-12       | 345.....       | DB-12, DB-13 | 18061.....     | DB-13       |
| 196.....       | DB-7        | 346.....       | DB-14        | 18100.....     | DB-13       |
| 209.....       | DB-9        | 347.....       | DB-14        | 18137.....     | DB-13       |
| 210.....       | DB-9        | 368.....       | DB-12        | 293100.....    | DB-13       |
| 211.....       | DB-9        | 377.....       | DB-14        | 90062.....     | DB-13       |
| 215.....       | DB-9        | 405.....       | DB-7         | 90100.....     | DB-13       |
| 216.....       | DB-9        | 411.....       | DB-3, DB-5   | EPD1.....      | DB-14       |
| 216_FG.....    | DB-10       | 412.....       | DB-3, DB-6   | EPD2.....      | DB-14       |
| 217.....       | DB-9        | 420.....       | DB-5         | OS4301.....    | DB-14       |
| 220.....       | DB-9        | 430.....       | DB-6         | OS4343.....    | DB-14       |
| 221.....       | DB-10       | 434.....       | DB-3, DB-5   | K411.....      | DB-3        |
| 222.....       | DB-10       | 510.....       | DB-3, DB-7   | K412PA.....    | DB-3        |
| 223.....       | DB-11       | 530.....       | DB-3, DB-7   | K41PD.....     | DB-3        |
| 234.....       | DB-9        | 2113.....      | DB-11        | K412PG.....    | DB-3        |
| 270.....       | DB-7        | 2170.....      | DB-8         | K420.....      | DB-3        |
| 307.....       | DB-12       | 2173.....      | DB-11        | K430MPA.....   | DB-3        |
| 308.....       | DB-12       | 2211.....      | DB-10        | K430MPD.....   | DB-3        |
| 309.....       | DB-12       | 2221.....      | DB-10        | K430PA.....    | DB-3        |
| 313.....       | DB-8        | 2230.....      | DB-11        | K430PD.....    | DB-3        |
| 314.....       | DB-8        | 2343.....      | DB-11        | SA1.....       | DB-7        |
| 315.....       | DB-12       | 3151.....      | DB-12        | SA2.....       | DB-7        |
| 315SS.....     | DB-13       | 3151SS.....    | DB-13        | SA3.....       | DB-7        |
| 317.....       | DB-8        | 3185.....      | DB-8         | SA4.....       | DB-7        |
| 318.....       | DB-8        | 3452.....      | DB-13        | V80.....       | DB-8        |
| 321.....       | DB-12       |                |              |                |             |

## Automatic Door Bottoms

- All PEMKO Automatic Door Bottoms, 24" and up, can be manufactured for field alteration. Please specify when ordering: Allow 2" for field trimming
- Overall sizes range from 18" to 72"
- 0.0625" Lead-lining available upon request; contact PEMKO Customer Service for options on profiles

## Drop-Bar Seal Actuation

The drop bar mechanism prevents the seal from skidding along the floor/threshold while the door is being closed.



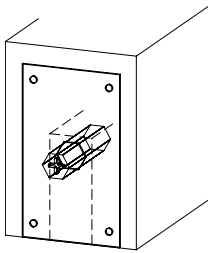
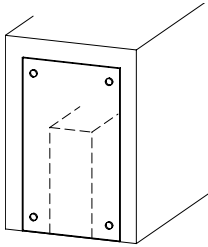
## Important Drop Bar Information

Drop seals of all types are designed to close a uniform size gap. PEMKO drop seals can seal up to  $\frac{3}{4}$ " gaps, provided the gap is consistent. Gaps that start at less than  $\frac{3}{4}$ " and then grow cannot be closed. The drop seal utilizes a straight aluminum extrusion so it cannot close an inconsistent gap.

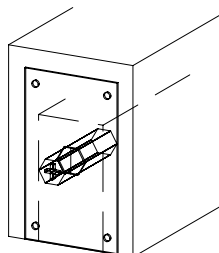
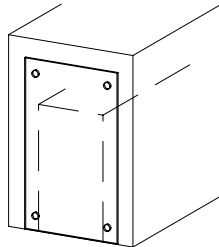
## End Plates for Automatic Door Bottoms

- Metal end plates are provided to protect the mechanism and to give a clean, aesthetic appearance. Do not tighten with power tool
- Plunger end plate prevents the plunger adjustment from rotating
- Necessary fasteners are provided with End Plate kits

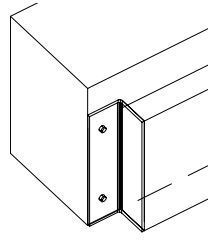
**411 End Plates**  
**Mortise**



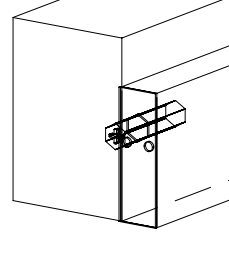
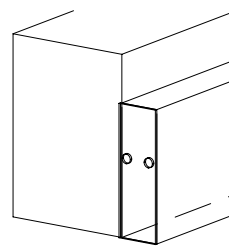
**434 End Plates**  
**Mortise**



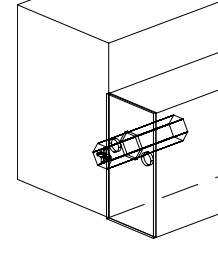
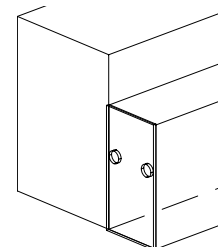
**412 End Plates**  
**Surface Mount**



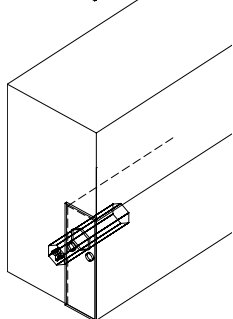
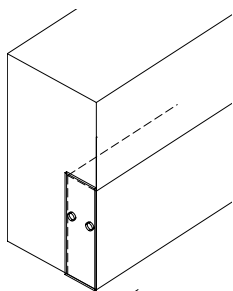
**510 End Plates**  
**Surface Mount**



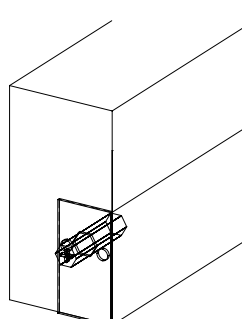
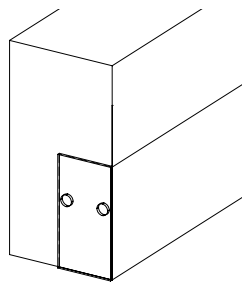
**530 End Plates**  
**Surface Mount**



**4131 Auto Door Bottom**  
**Semi-Mortise\***



**4301-430 Auto Door Bottom**  
**Semi-Mortise\***

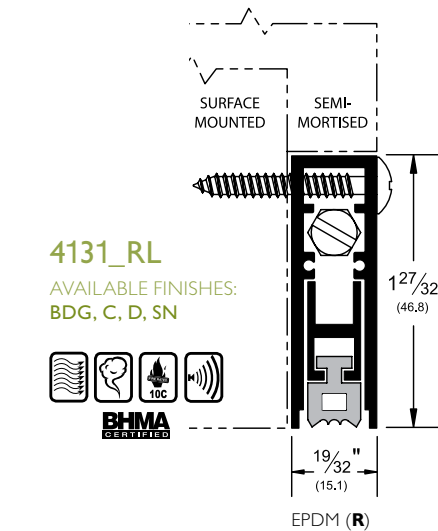
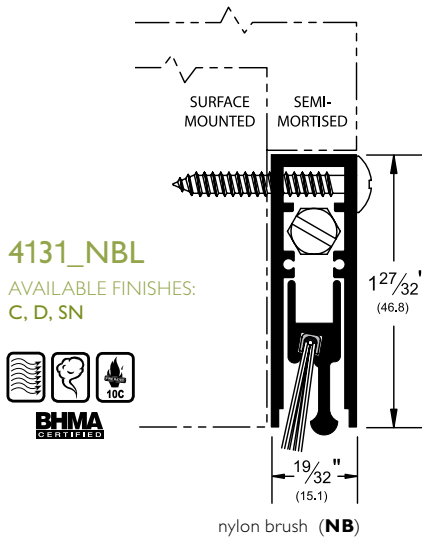
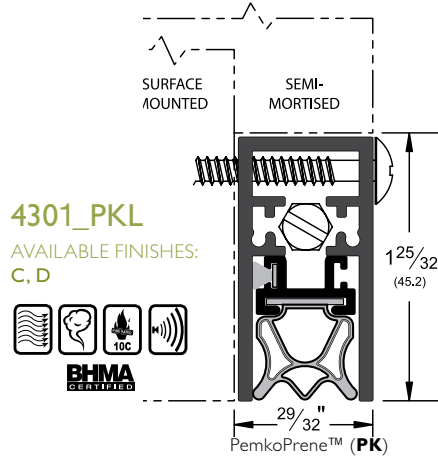
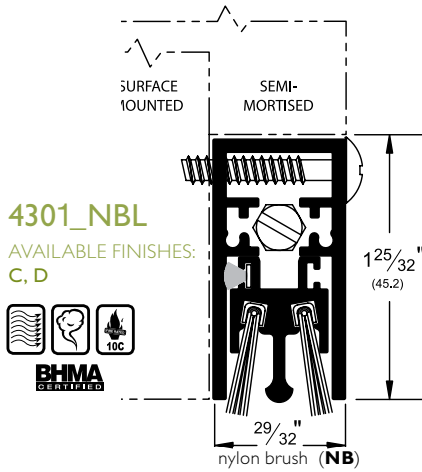


| Automatic Door Bottom Kits |   |
|----------------------------|---|
| K411                       | Kit for 411 Door Bottom                               |
| K412PA                     | Kit for 411 Door Bottom - Aluminum                    |
| K412PD                     | Kit for 411 Door Bottom - Dark Bronze                 |
| K412PG                     | Kit for 411 Door Bottom - Gold                        |
| K420                       | Kit for 420 Door Bottom                               |
| K430MPA                    | Kit for 430 Door Bottom - Aluminum (Mortised App.)    |
| K430MPD                    | Kit for 430 Door Bottom - Dark Bronze (Mortised App.) |
| K430PA                     | Kit for 430 Door Bottom - Aluminum (Surface App.)     |
| K430PD                     | Kit for 430 Door Bottom - Dark Bronze (Surface App.)  |

\*43, 430, and 430 models can also be applied as surface mount

## Automatic Door Bottoms - Surface and Semi-Mortise Models

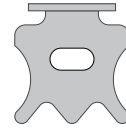
- Specify if the Automatic Door Bottom is for a semi-mortise application so that shorter screws can be provided



### Alternate Insert For 4301

#### 4301\_R

AVAILABLE FINISHES:  
C, D



EPDM (R)

### Alternate Inserts For 4131

#### 4131\_PKL

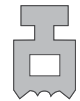
AVAILABLE FINISHES:  
BDG, C, D, SN



PemkoPrene™ (PK)

#### 4131\_SL

AVAILABLE FINISHES:  
BDG, C, D, SN



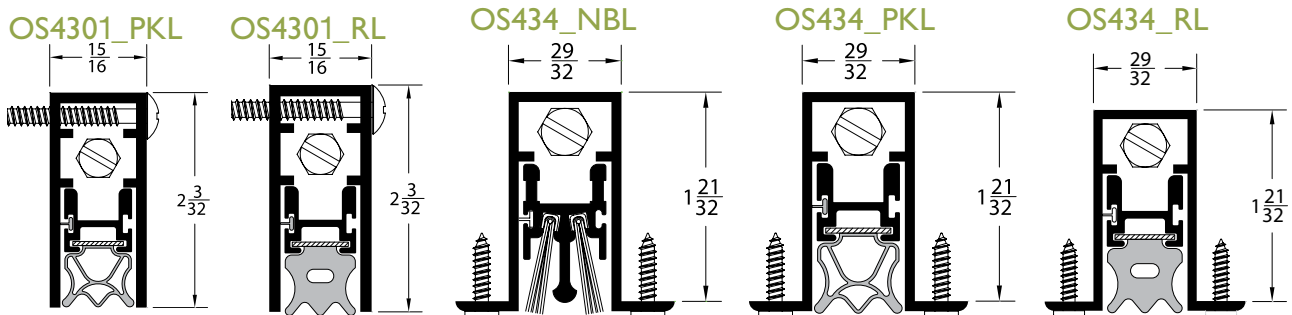
sponge silicone (S)

All above products



## Over-Sized Automatic Door Bottoms

- For Automatic Door Bottoms (ADB) in these profiles ordered over 48-inches
- Only available with our 4301 and 434 ADB profiles



NOTE: Products shown in this section may not be drawn to scale.

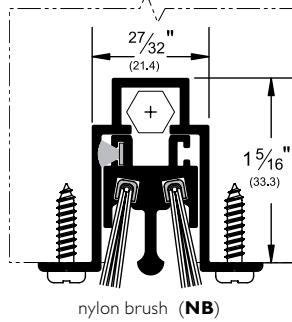
AVAILABLE FINISHES FOR PRODUCTS SHOWN ON THIS PAGE (see General Information section for finish chart)

BDG (Bright Dip Gold Anodized) C (Clear Anodized) D (Dark Bronze Anodized) SN (Satin Nickel Anodized)

## Automatic Door Bottoms - Full-Mortise Models

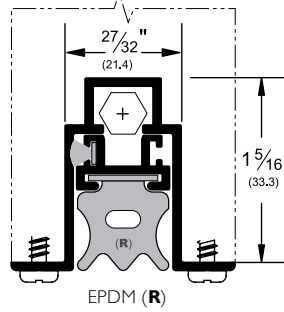
### 434\_NBL

AVAILABLE FINISH: A



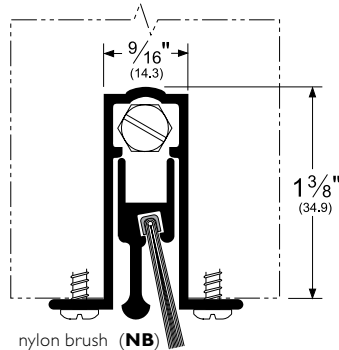
### 434\_RL

AVAILABLE FINISH: A



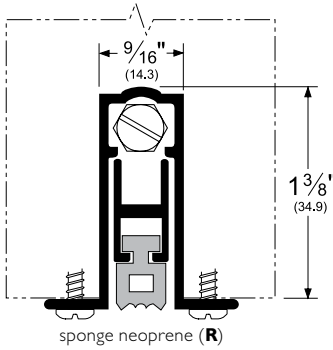
### 411\_NBL

AVAILABLE FINISH: A



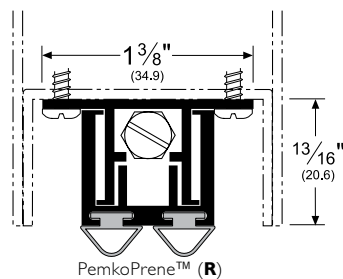
### 411\_RL

AVAILABLE FINISH: A



### 420\_PKL

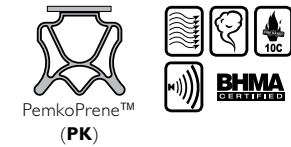
AVAILABLE FINISH: A  
For hollow metal doors.  
Maximum drop is 1/2"



#### Alternate Inserts For 434

### 434\_PKL

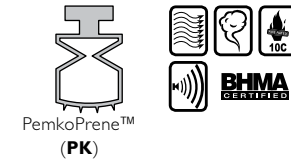
AVAILABLE FINISH: A



#### Alternate Inserts For 411

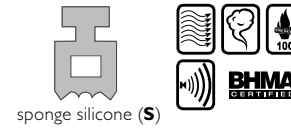
### 411\_PKL

AVAILABLE FINISH: A



### 411\_SL

AVAILABLE FINISHES: A



#### Alternate Inserts For 420

### 420\_VL

AVAILABLE FINISH: A



Vinyl products are not BHMA certified

### 420\_SL

AVAILABLE FINISH: A



NOTE: Products shown in this section may not be drawn to scale.

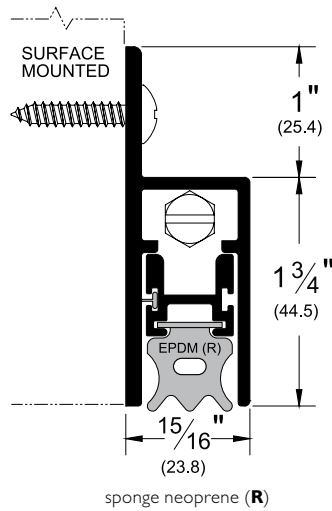
AVAILABLE FINISHES FOR PRODUCTS SHOWN ON THIS PAGE (see General Information section for finish chart)  
A (Mill Finish Aluminum)

## Automatic Door Bottoms - Handed Surface and Semi-Mortise Models

- These models have all the same features as the 4301 and the 4131 except that these are handed and disassembly of the mechanism is required to reverse the hand
- For easy non-handed installation, PEMKO recommends using the 4301 rather than the 430, and the 4131 rather than the 412. The 4301 and 4131 are shown on page DB-4

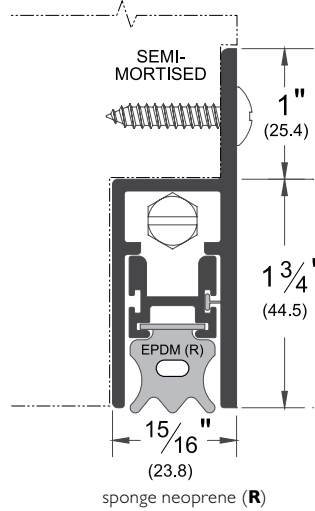
### 430\_RL

AVAILABLE FINISHES:  
C, D



### 430\_MRL

AVAILABLE FINISHES:  
C, D



#### Alternate Inserts For 430

##### 430\_PKL

AVAILABLE FINISHES:  
C, D



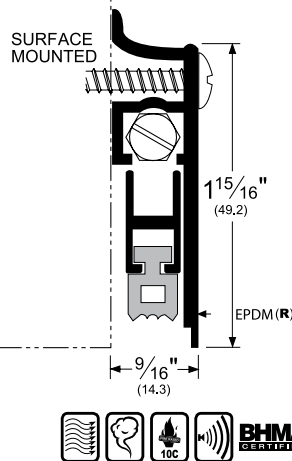
##### 430\_MPKL

AVAILABLE FINISHES:  
C, D



### 412\_RL

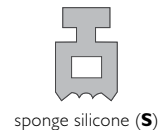
AVAILABLE FINISHES:  
B, C, D, G, S



#### Alternate Inserts For 412

##### 412\_SL

AVAILABLE FINISHES:  
B, C, D, G, S



##### 412\_PKL

AVAILABLE FINISHES:  
B, C, D, G, S



NOTE: Products shown in this section may not be drawn to scale.

AVAILABLE FINISHES FOR PRODUCTS SHOWN ON THIS PAGE (see General Information section for finish chart)

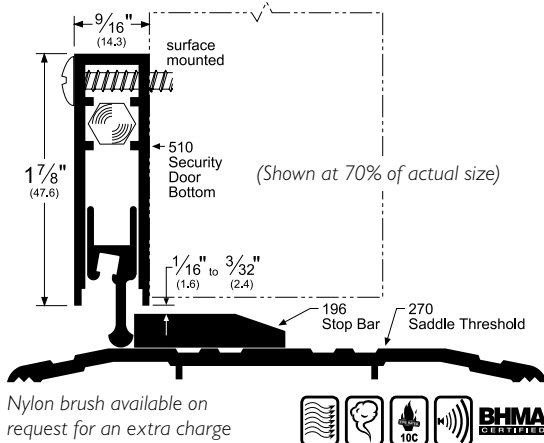
B (Mill Finish Extruded Bronze[Brass]) C (Clear Anodized) D (Dark Bronze Anodized) G (Gold Anodized) S (Cladded Stainless Steel)

## Security Door Bottoms

- Help prevent break-ins with PEMKO's security door bottoms
- Great for office buildings, dormitories, hotel/motels, multi-family housing, and other applications where break-ins from interior lever-handles are a problem
- Mounting screws and a cam are included with both security door bottom models (510 and 530)
- The 530 includes end plates that provide a clean, finished look and prevents debris from entering operating mechanisms
- Order stop bar (196) and thresholds (270, 2364, etc.) separately

### 510\_

AVAILABLE FINISHES: C, D  
AVAILABLE LENGTHS: 36", 42", 48"

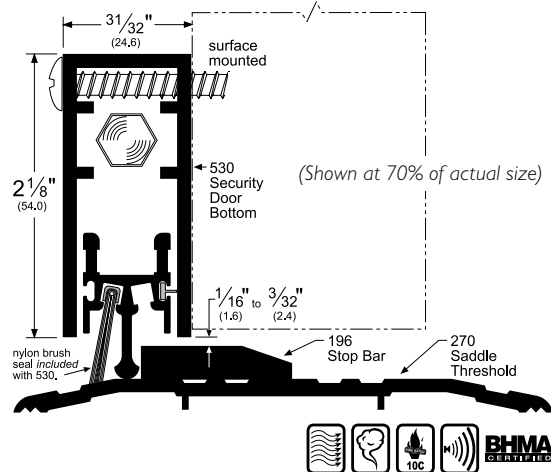


### 196\_ and 270\_

AVAILABLE FINISHES:  
A, B, D, G

### 530\_

AVAILABLE FINISHES: C, D  
AVAILABLE LENGTHS: 36", 42", 48"



### 196\_ and 270\_

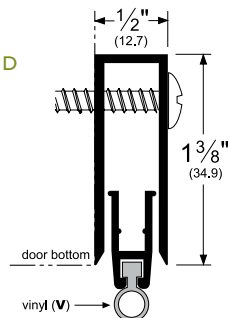
AVAILABLE FINISHES:  
A, B, D, G

## Residential Automatic Door Bottoms

### SA1\_, SA2\_, SA3\_, SA4\_

AVAILABLE FINISHES: A (no finish selection), D  
AVAILABLE LENGTHS: 28", 32", 36", 42"

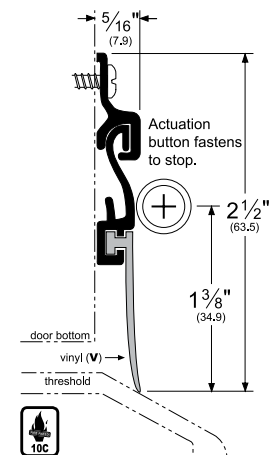
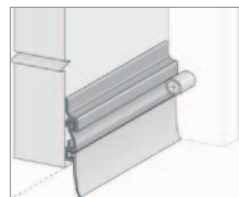
- Surface type for wood doors
- 1/2" maximum drop
- Can be trimmed down by as much as 2"
- Non-handed
- End plates are not provided



### 405\_V

AVAILABLE FINISHES:  
C, D, G, PW

- Spring loaded door bottom sweep
- Available in 36" length only
- May be cut down to 24" minimum length



NOTE: Products shown in this section may not be drawn to scale.

AVAILABLE FINISHES FOR PRODUCTS SHOWN ON THIS PAGE (see General Information section for finish chart)

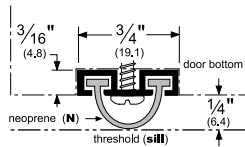
A (Mill Finish Aluminum) B (Mill Finish Extruded Bronze) C (Clear Anodized) D (Dark Bronze Anodized) G (Gold Anodized) PW (Painted White)

## Specialty Door Bottoms

- May be used in many different applications. Some of these shapes may be used as meeting stile gasketing; see pages AM-3 and AM-4 for examples

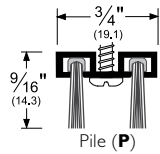
### 313\_N

AVAILABLE FINISHES:  
A, D, G



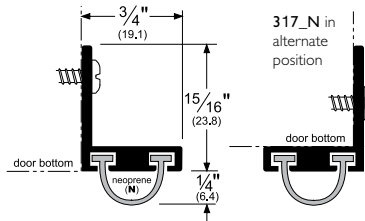
### 313\_P

AVAILABLE FINISH:  
A



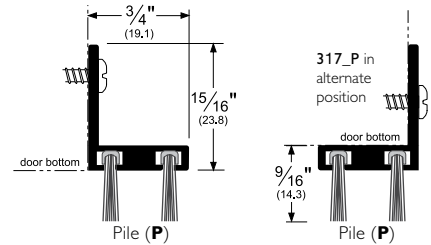
### 317\_N

AVAILABLE FINISHES:  
A, D, G



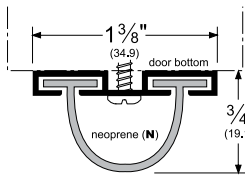
### 317\_P

AVAILABLE FINISH:  
A



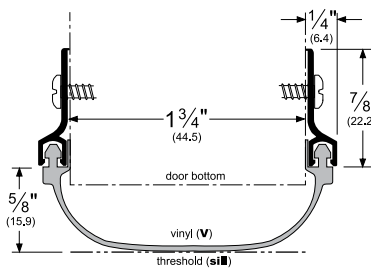
### 314\_N

AVAILABLE FINISHES:  
C, D, G



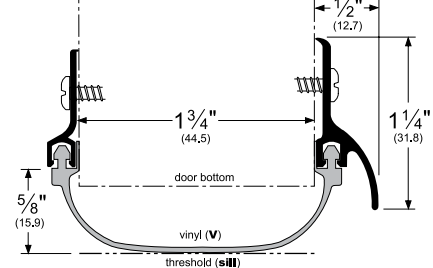
### 318\_V

AVAILABLE FINISHES:  
A, BDG, D, G, PW



### 3185\_V

AVAILABLE FINISHES:  
A, D

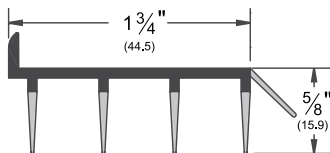


## Vinyl Door Shoes

- Dual durometer vinyl door shoe
- V80\_ is furnished net 36"

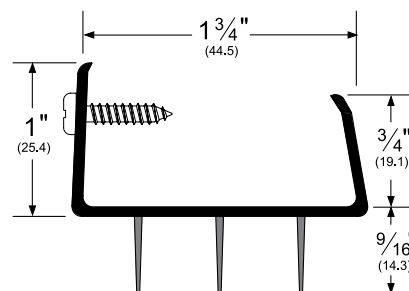
### V80\_

AVAILABLE FINISHES: **D**  
AVAILABLE LENGTHS: 36" NET



### 2170\_V

AVAILABLE COLORS: **D, W**  
AVAILABLE LENGTHS: 36", 48"



Also available with  
unnotched insert:  
2170\_V36UN  
2170\_V48UN

NOTE: Products shown in this section may not be drawn to scale.

AVAILABLE FINISHES FOR PRODUCTS SHOWN ON THIS PAGE (see General Information section for finish chart)

A (Mill Finish Aluminum) BDG (Bright Dip Gold Anodized) C (Clear Anodized) D (Dark Bronze Anodized) G (Gold Anodized) PW (Painted White)

VINYL DOORS SHOES: D (Dark Brown) W (White)



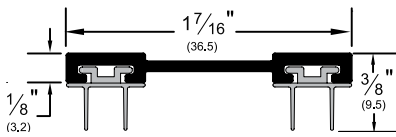
## Door Shoes

- Available with PemkoPrene™ (PK) or Vinyl (V), except 3962\_V; both seals are the same in shape and size
- Slotted holes for easy adjustment
- Rain drip model is ideal for deflecting rain away from the bottom of door
- Door shoes are provided with stainless steel fasteners

### 3692\_PK772

**NEW!**

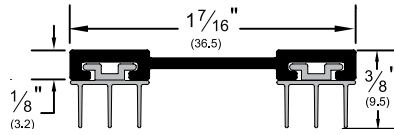
AVAILABLE FINISHES: **A**  
AVAILABLE LENGTHS: 36", 48"



### 3692\_PK773

**NEW!**

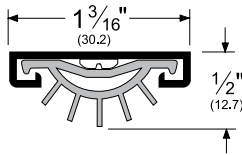
AVAILABLE FINISHES: **A**  
AVAILABLE LENGTHS: 36", 48"



### 234\_V

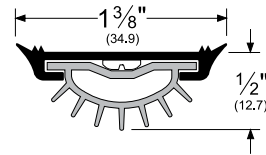
### 234\_PK

AVAILABLE FINISHES:  
**A, D, G**



### 209\_V

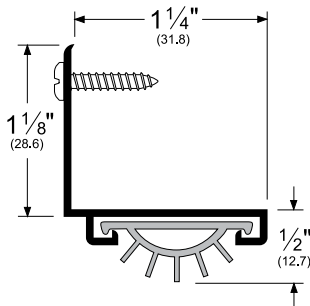
AVAILABLE FINISHES:  
**A, D, G**



### 211\_V

### 211\_PK

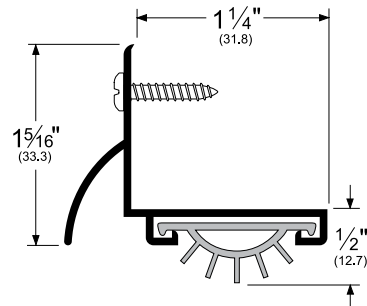
AVAILABLE FINISHES:  
**A, D, G**



### 210\_V

### 210\_PK

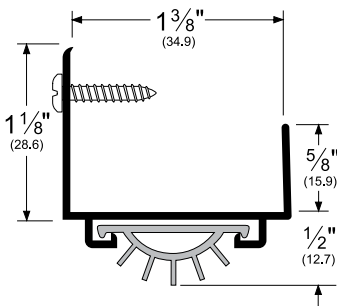
AVAILABLE FINISHES:  
**A, BDG, D, G, PW, SN**



### 220\_V

### 220\_PK

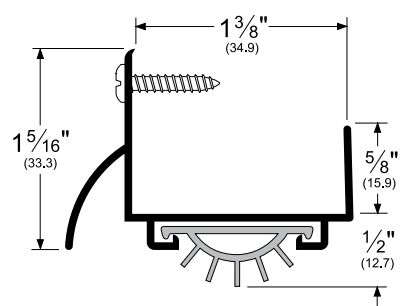
AVAILABLE FINISHES:  
**A, D, G**



### 215\_V

### 215\_PK

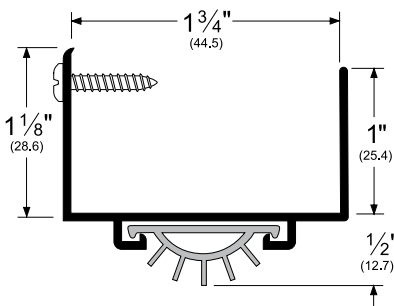
AVAILABLE FINISHES:  
**A, BDG, D, G, PW, SN**



### 217\_V

### 217\_PK

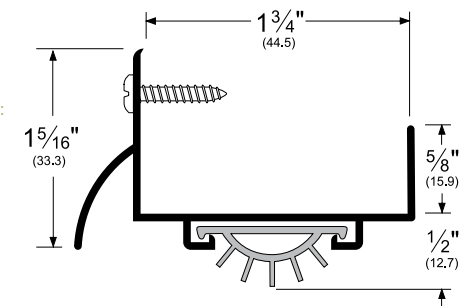
AVAILABLE FINISHES:  
**A, BDG, D, G, PW, SN**



### 216\_V

### 216\_PK

AVAILABLE FINISHES:  
**A, B, BDG, D, G, PW, SN**



NOTE: Products shown in this section may not be drawn to scale.

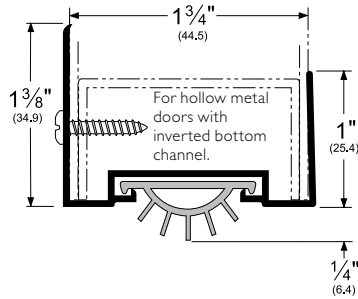
AVAILABLE FINISHES FOR PRODUCTS SHOWN ON THIS PAGE (see General Information section for finish chart)  
**A** (Mill Finish Aluminum) **B** (Mill Finish Extruded Bronze) **BDG** (Bright Dip Gold Anodized) **D** (Dark Bronze Anodized)  
**G** (Gold Anodized) **PW** (Painted White) **SN** (Satin Nickel Anodized)

## Door Shoes (Cont.)

**222\_V**

**222\_PK**

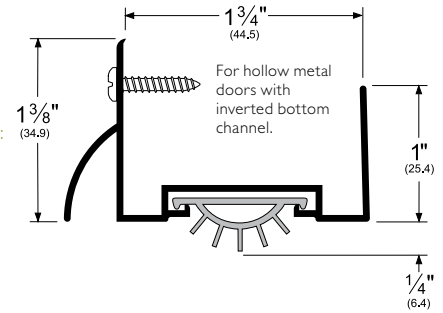
AVAILABLE FINISHES:  
A, D, G



**2221\_V**

**2221\_PK**

AVAILABLE FINISHES:  
A, D, G

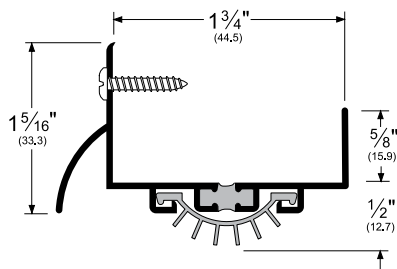


**216\_FG**

AVAILABLE FINISHES:  
BDC, BDG, D, PW, SN

**Thermal Barrier Model**

Polypropylene thermal break (FG) prevents conductivity of cold from exterior to interior. Supplied with PemkoPrene™ Seal

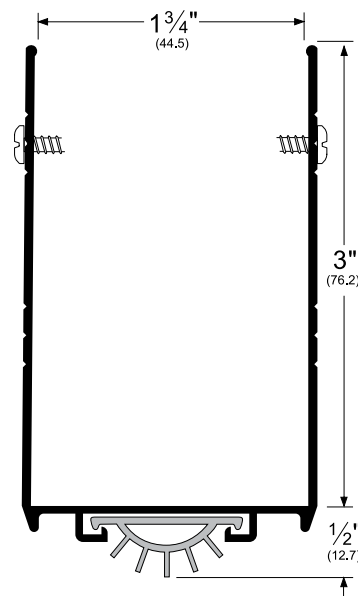


**221\_V**

**221\_PK**

AVAILABLE FINISHES:  
A, D, G

Combination door shoe and kick plate

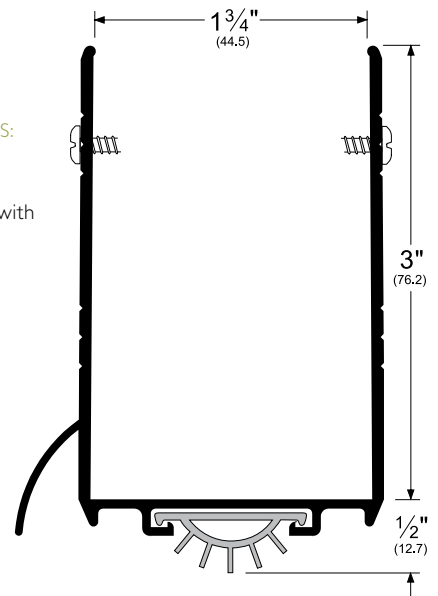


**2211\_V**

**2211\_PK**

AVAILABLE FINISHES:  
A, D, G

Combination door shoe and kick plate with raindrip



NOTE: Products shown in this section may not be drawn to scale.

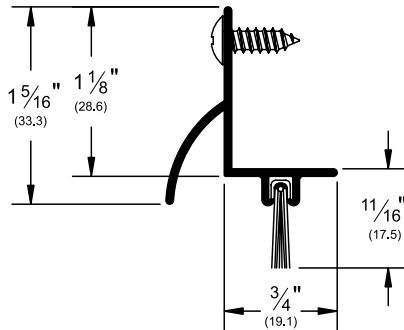
AVAILABLE FINISHES FOR PRODUCTS SHOWN ON THIS PAGE (see General Information section for finish chart)

A (Mill Finish Aluminum) BDC (Bright Dip Clear Anodized) BDG (Bright Dip Gold Anodized) D (Dark Bronze Anodized) G (Gold Anodized) PW (Painted White) SN (Satin Nickel Anodized)

## Door Shoes (Cont.)

### 2230\_NB

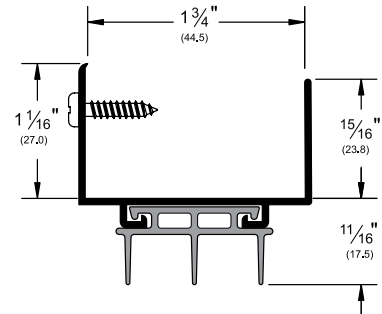
AVAILABLE FINISHES:  
A, D, G



### 2173\_V

AVAILABLE FINISHES:  
A, BDG, D, G, PW  
AVAILABLE LENGTHS:  
36", 48"

Also available with  
unnotched insert:  
2173\_V36UN  
2173\_V48UN

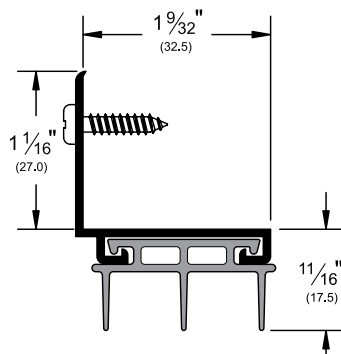


### 2113\_V

AVAILABLE FINISHES:  
A, D, G  
AVAILABLE LENGTHS:  
36", 48"

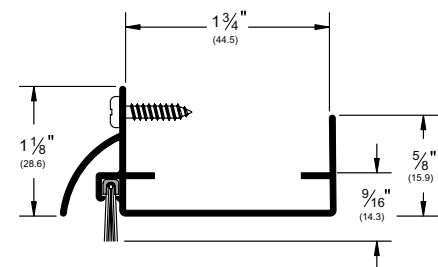
Also available with  
unnotched insert:

2113\_V36UN  
2113\_V48UN



### 223\_NB

AVAILABLE FINISHES:  
A, D, G

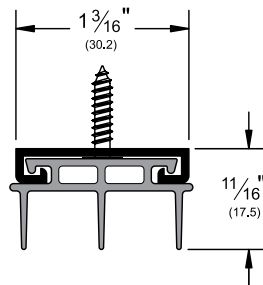


### 2343\_V

AVAILABLE FINISHES: A, D, G  
AVAILABLE LENGTHS: 36", 48"

Also available with  
unnotched insert:

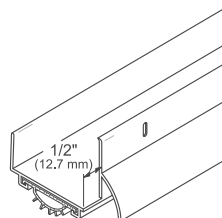
2343\_V36UN  
2343\_V48UN



## Fabrication Options for Door Shoes

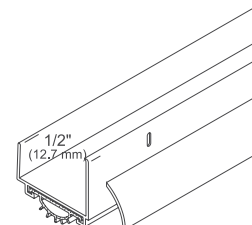
### 1/2" Full Notch

- **Fabrication includes:** removal of rain drip and front flange of door shoe to prevent interference with door stop and weatherstrip
- **Ordering:** order width of door leaf, and designate by adding "M" following the product number  
(Example: a 216AV with a 1/2" full notch fabrication, for a 36" door leaf = 216AVM36)



### 1/2" Half Notch

- **Fabrication includes:** removal of rain drip to prevent interference with door stop and weatherstrip
- **Ordering:** order width of door leaf and designate by adding "N" following the product number
- **Special:** Other half notches available are 3/16", 5/8", and 3/4" widths, please specify when ordering  
(Example: a 216AV with a 1/2" half notch fabrication, for a 36" door leaf = 216AVN36)



NOTE: Products shown in this section may not be drawn to scale.

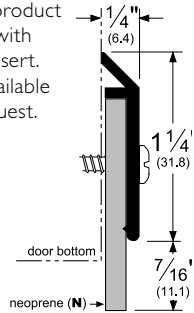
AVAILABLE FINISHES FOR PRODUCTS SHOWN ON THIS PAGE (see General Information section for finish chart)  
A (Mill Finish Aluminum) BDG (Bright Dip Gold Anodized) D (Dark Bronze Anodized) G (Gold Anodized) PW (Painted White)

## Door Bottom Sweeps

### 315\_N

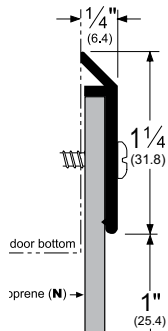
AVAILABLE FINISHES:  
B, C, D, G, PW, SN

Finished product  
supplied with  
BLACK insert.  
GRAY available  
upon request.



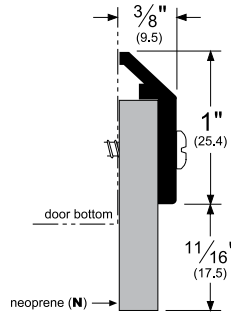
### 3151\_N

AVAILABLE FINISHES:  
C, D, G



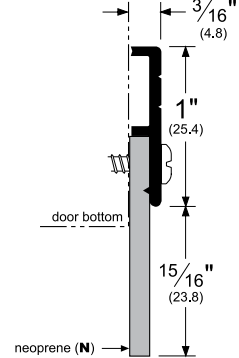
### 368\_N

AVAILABLE FINISHES:  
C, D, G



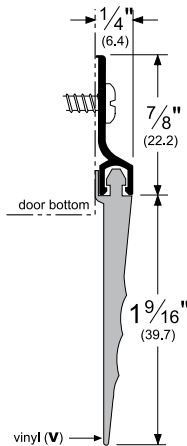
### 321\_N

AVAILABLE FINISHES:  
C, D, G



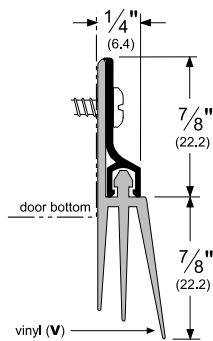
### 56\_V

AVAILABLE FINISHES:  
A, BDG, D, G, PW, SN



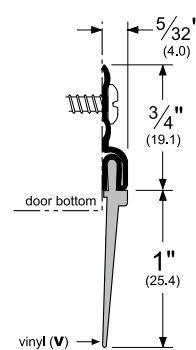
### 57\_V

AVAILABLE FINISHES:  
A, BDG, D, G, PW, SN



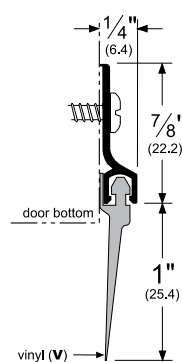
### 99\_V

AVAILABLE FINISHES:  
PA, PD, PG, PW



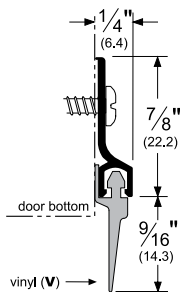
### 307\_V

AVAILABLE FINISHES:  
A, BDG, C, D, G, PW, SN



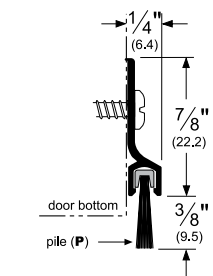
### 308\_V

AVAILABLE FINISHES:  
A, BDG, C, D, G, PW, SN



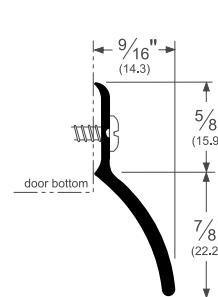
### 309\_P

AVAILABLE FINISHES:  
A, BDG, D, G, PW, SN



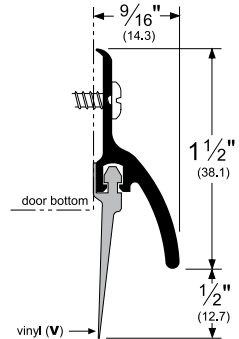
### 345\_

AVAILABLE FINISHES:  
A, B, BDG, C, D, G, PW



### 345\_V

AVAILABLE FINISHES:  
A, BDG, C, D, G, PW



NOTE: Products shown in this section may not be drawn to scale.

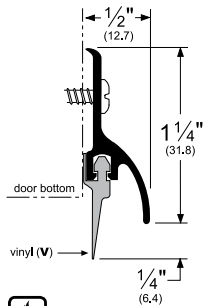
AVAILABLE FINISHES FOR PRODUCTS SHOWN ON THIS PAGE (see General Information section for finish chart)

A (Mill Finish Aluminum) B (Mill Finish Extruded Bronze [Brass]) BDG (Bright Dip Clear Anodized) C (Clear Anodized) D (Dark Bronze Anodized) G (Gold Anodized)  
PD (Painted Dark Bronze) PG (Painted Gold) PW (Painted White) SN (Satin Nickel Anodized)

## Door Bottom Sweeps (Cont.)

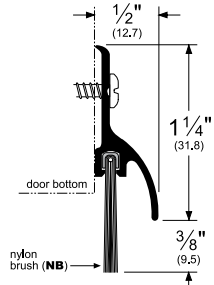
### 3452\_V

AVAILABLE FINISHES:  
A, BDG, C, D, G, PW, SN



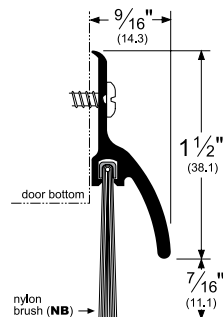
### 3452\_NB

AVAILABLE FINISHES:  
BDG, C, D, G, PW, SN



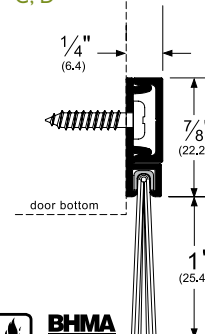
### 345\_NB

AVAILABLE FINISHES:  
A, BDG, D, G, PW



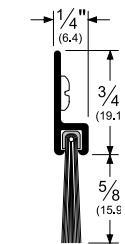
### 293100\_NB

AVAILABLE FINISHES:  
C, D



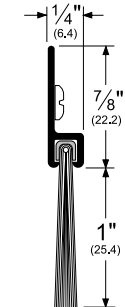
### 18061\_NB

AVAILABLE FINISHES:  
C, D, G, SN



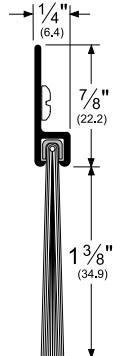
### 18100\_NB

AVAILABLE FINISHES:  
C, D, G, PW



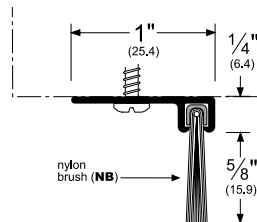
### 18137\_NB

AVAILABLE FINISHES:  
C, D, G, PW



### 90062\_NB

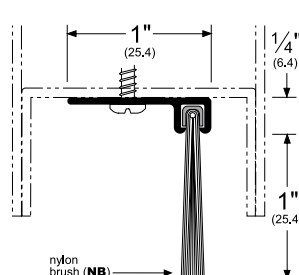
AVAILABLE FINISHES:  
C, D



### 90100\_NB

AVAILABLE FINISHES:  
C, D, G

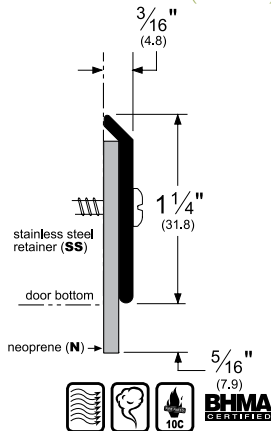
- For hollow metal doors with inverted channel



## Stainless Steel Door Bottom Sweeps

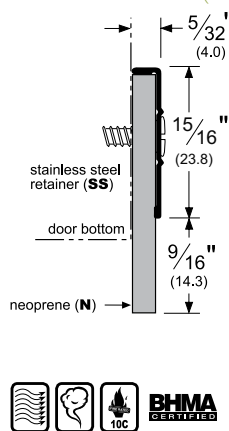
### 315SSN

AVAILABLE FINISH: SS (#4 Finish)



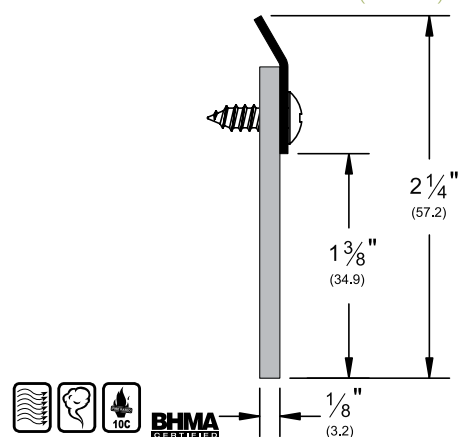
### 321SSN

AVAILABLE FINISH: SS (#4 Finish)



### 3151SSN

AVAILABLE FINISH: SS (#4 Finish)



NOTE: Products shown in this section may not be drawn to scale.

AVAILABLE FINISHES FOR PRODUCTS SHOWN ON THIS PAGE (see General Information section for finish chart)

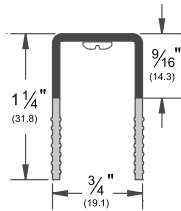
A (Mill Finish Aluminum) BDG (Bright Dip Gold Anodized) C (Clear Anodized) D (Dark Bronze Anodized) G (Gold Anodized) PW (Painted White)  
SN (Satin Nickel Anodized) SS (See Individual Part)

## Dual Durometer Specialty Door Shoes

- Dual durometer extruded door sweep
- Top portion is rigid polypropylene; bottom sweep is flexible Santoprene™
- Designed for hollow metal doors with inverted channel
- Black case to prevent light refraction under door
- Furnished undrilled; fasteners provided at additional cost

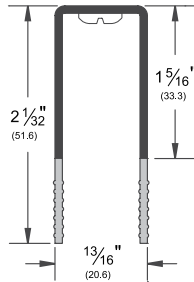
### EPD1

AVAILABLE FINISHES: **BL**  
AVAILABLE LENGTHS: **36", 48"**



### EPD2

AVAILABLE FINISHES: **BL**  
AVAILABLE LENGTHS: **36", 48"**

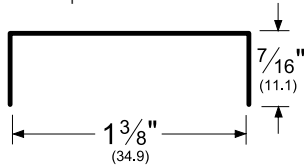


## Door Top Weatherstrip

### \_343

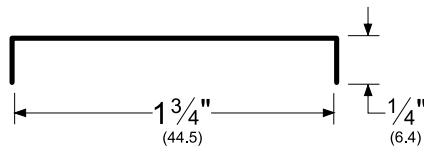
AVAILABLE FINISHES: **PA**  
AVAILABLE LENGTHS: **36", 48"**

For top of 1 3/8" wood doors



### \_344

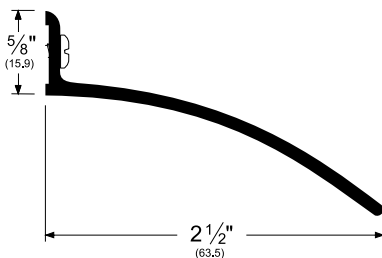
AVAILABLE FINISHES: **PA**  
AVAILABLE LENGTHS: **36", 48"**



### 346\_

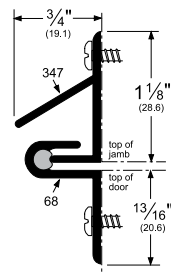
AVAILABLE FINISHES: **C, D, G, PW**

- Overhead rain drip with slotted holes
- Should be ordered a minimum of 4" longer than the door width



### 347\_

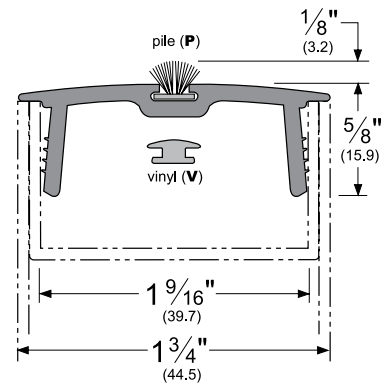
AVAILABLE FINISHES: **A, D, G**



### 377P\_

### 377V\_

Rigid tan colored vinyl with vinyl (V) insert or pile (P) insert used as a door top (or bottom) filler strip for hollow metal doors



NOTE: Products shown in this section may not be drawn to scale.

AVAILABLE FINISHES FOR PRODUCTS SHOWN ON THIS PAGE (see General Information section for finish chart)

**A** (Mill Finish Aluminum) **C** (Clear Anodized) **D** (Dark Bronze Anodized) **G** (Gold Anodized) **PA** (Painted Aluminum) **PW** (Painted White)

Non-Metal Finish: **BL** (Black)

# ASTRAGALS & MEETING STILES

## CONTENTS:

|   |               |
|---|---------------|
| Astragal and Meeting Stile Gasketing - Split Astragals..... | AM-2-AM-3     |
| Split Astragals with Snap Covers - Concealed Fasteners..... | AM-3          |
| Meeting Stile Gasketing.....                                | AM-4          |
| Adhesive Astragal/Meeting Stile Seals.....                  | AM-5          |
| Adjustable Astragals.....                                   | AM-5          |
| "T" and Overlapping Astragals.....                          | AM-6          |
| Adhesive-Backed Mullion Gasketing.....                      | AM-7          |
| Offset Security Bar.....                                    | AM-7          |
| Security Astragal.....                                      | AM-7          |
| Locking Astragals.....                                      | AM-10         |
| Locking Wood Astragals.....                                 | AM-10         |
| Outswing Locking Astragals.....                             | AM-11 - AM-12 |

## INDEX:

| <u>PRODUCT</u> | <u>PAGE</u> | <u>PRODUCT</u> | <u>PAGE</u> | <u>PRODUCT</u> | <u>PAGE</u> |
|----------------|-------------|----------------|-------------|----------------|-------------|
| 297.....       | AM-2        | 369.....       | AM-4        | 3498.....      | AM-9        |
| 300.....       | AM-4        | 371.....       | AM-4        | 3572.....      | AM-7        |
| 303.....       | AM-2        | 372.....       | AM-4        | 3572PP7.....   | AM-7        |
| 305.....       | AM-2        | 375.....       | AM-6        | 5110.....      | AM-7        |
| 310.....       | AM-3        | 378.....       | AM-7        | 18041.....     | AM-2        |
| 311CIN.....    | AM-3        | 3443.....      | AM-11       | 18061.....     | AM-2        |
| 313.....       | AM-4        | 3444.....      | AM-11       | 29310.....     | AM-3        |
| 314.....       | AM-4        | 3445.....      | AM-12       | 29324.....     | AM-3        |
| 316.....       | AM-2        | 3446.....      | AM-12       | 29326.....     | AM-3        |
| 318.....       | AM-3        | 3447.....      | AM-12       | 34831.....     | AM-10       |
| 351.....       | AM-5        | 3448.....      | AM-12       | 34832.....     | AM-10       |
| 352.....       | AM-6        | 3481.....      | AM-10       | B71.....       | AM-4        |
| 354.....       | AM-5        | 3483.....      | AM-10       | OAK349-96..... | AM-8        |
| 355.....       | AM-6        | 3493.....      | AM-8        | Q107.....      | AM-12       |
| 356.....       | AM-6        | 3494.....      | AM-8        | Q108.....      | AM-10       |
| 357.....       | AM-6        | 3495.....      | AM-9        | S771.....      | AM-5        |
| 358.....       | AM-4        | 3496.....      | AM-9        | S772.....      | AM-5        |
| 359.....       | AM-6        | 3497.....      | AM-9        | SS71.....      | AM-4        |



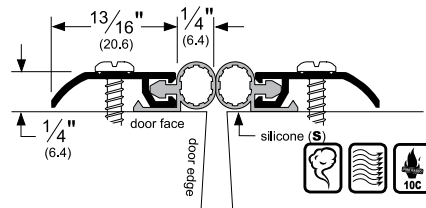
## Astragal and Meeting Stile Gasketing - Split Astragals

- Astragals and meeting stiles with a fire label may be mounted on pairs of doors wherein the gap meets the requirements of **NFPA 80, 2-3.1.7** "The clearance between the meeting edges of doors swinging in pairs on the pull side shall be  $\frac{1}{8}'' \pm \frac{1}{16}''$  (3.18mm  $\pm$  1.59mm) for steel doors and shall not exceed  $\frac{1}{8}''$  (3.18mm) for wood doors"

- Order split astragals at two (2) pieces by door height per set of double doors
- Punched with slotted holes for adjustment
- All clear anodized brush products are supplied with gray brush (available with black brush upon request). Other finishes supplied with black brush

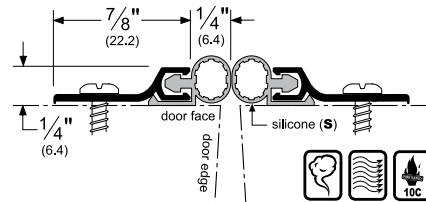
### 297\_S

AVAILABLE FINISHES:  
A, BDG, D, G, PW, SN



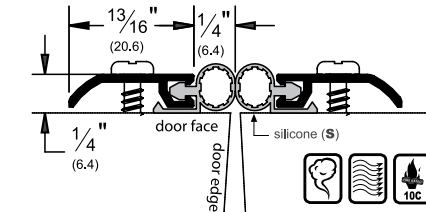
### 303\_S

AVAILABLE FINISHES:  
A, BDG, C, D, G, PW, SN



### 316\_S

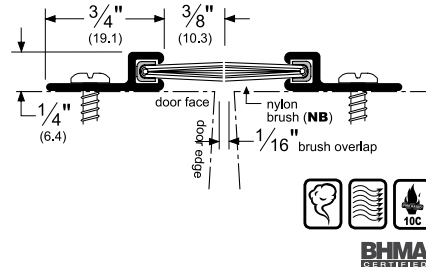
AVAILABLE FINISHES:  
A, BDG, D, G



### 18041\_NB

AVAILABLE FINISHES:  
C, D, G, SN

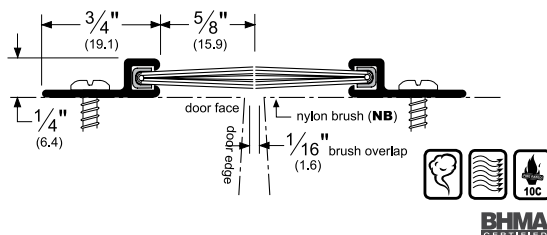
NOTE: Brush should mesh from  $\frac{1}{32}''$  to  $\frac{1}{16}''$ .



### 18061\_NB

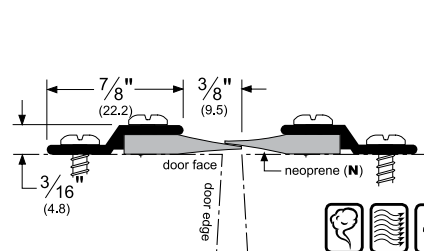
AVAILABLE FINISHES:  
C, D, G, SN

NOTE: Brush should mesh from  $\frac{1}{32}''$  to  $\frac{1}{16}''$ .



### 305\_N

AVAILABLE FINISHES:  
B, C, D, G



#### Alternate Inserts For 297

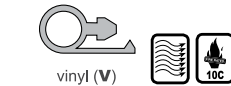
##### 297\_PK

AVAILABLE FINISHES:  
A, BDG, D, G, PW, SN



##### 297\_V

AVAILABLE FINISHES:  
A, BDG, D, G, PW, SN



#### Alternate Inserts For 303

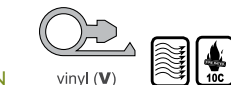
##### 303\_PK

AVAILABLE FINISHES:  
A, BDG, C, D, G, PW, SN



##### 303\_V

AVAILABLE FINISHES:  
A, BDG, C, D, G, PW, SN



#### Alternate Inserts For 316

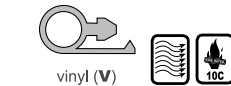
##### 316\_PK

AVAILABLE FINISHES:  
A, BDG, D, G



##### 316\_V

AVAILABLE FINISHES:  
A, BDG, D, G



#### Alternate Inserts For 18041

##### 18041\_SB

AVAILABLE FINISHES:  
C, D, G, SN



AVAILABLE FINISHES FOR PRODUCTS SHOWN ON THIS PAGE (see General Information section for finish chart)

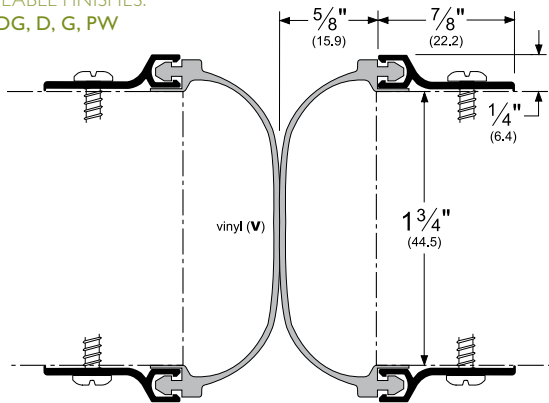
A (Mill Finish Aluminum) BDG (Bright Dip Gold Anodized) C (Clear Anodized) D (Dark Bronze Anodized) G (Gold Anodized) PW (Painted White) SN (Satin Nickel Anodized) Special finishes available upon request



## Astragal and Meeting Stile Gasketing - Split Astragals (Cont.)

### 318\_V

AVAILABLE FINISHES:  
A, BDG, D, G, PW



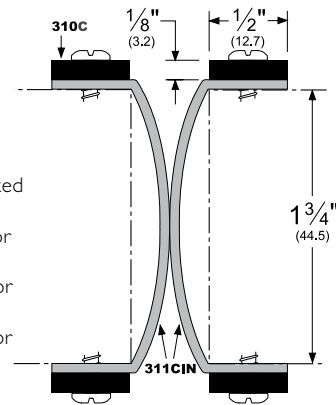
### 310\_\*

#### 311CIN

AVAILABLE FINISHES:  
C, D, G

- Material required for one pair of doors:
  - 4 ea. 310 bars and
  - 2 ea. 311CIN cloth inserted rubber pieces
  - Specify 311CIN3.75 for 1 3/4" thick doors
  - Specify 311CIN4.00 for 2" thick doors
  - Specify 311CIN4.25 for 2 1/4" thick doors

\* Sold individually

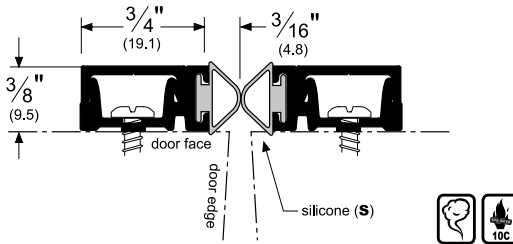


## Split Astragals with Snap Covers – Concealed Fasteners

- Snap cover helps prevent vandalism and adds an attractive finished look by concealing the fasteners

### 29310\_S

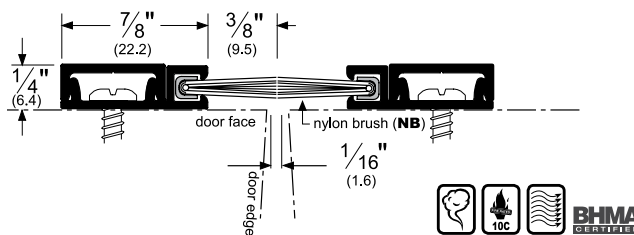
AVAILABLE FINISHES:  
C, D, G



### 29324\_NB

AVAILABLE FINISHES:  
C, D, G

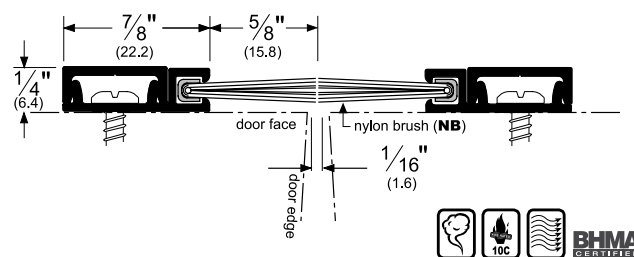
NOTE: Brush should mesh from 1/32" to 1/16".



### 29326\_NB

AVAILABLE FINISHES:  
C, D, G

NOTE: Brush should mesh from 1/32" to 1/16".



#### Alternate Inserts For 29310

#### 29310\_PK

AVAILABLE FINISHES:  
C, D, G



PemkoPrene™  
(PK)

#### 29310\_P

AVAILABLE FINISHES:  
C, D, G



pile (P)

#### 29310\_V

AVAILABLE FINISHES:  
C, D, G



vinyl (V)

#### Alternate Inserts For 29324

#### 29324\_SB

AVAILABLE FINISHES:  
C, D



soft brush (SB)

AVAILABLE FINISHES FOR PRODUCTS SHOWN ON THIS PAGE (see General Information section for finish chart)

A (Mill Finish Aluminum) B (Mill Finish Extruded Bronze [Brass]) BDG (Bright Dip Gold Anodized) C (Clear Anodized) D (Dark Bronze Anodized) G (Gold Anodized) PW (Painted White) SN (Satin Nickel Anodized) Special finishes available upon request

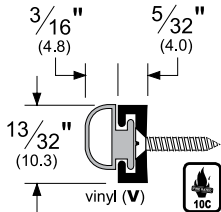
## Meeting Stile Gasketing

- Astragals / Meeting Stiles with a fire label may be mounted on pairs of doors wherein the gap meets the requirements of NFPA 80, 2-5.4

- These products (except \_71) do not work well on beveled-edge pairs of doors

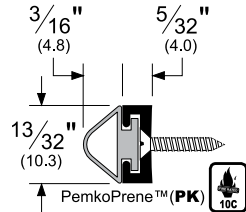
### 369\_V

AVAILABLE FINISHES:  
A, D, G



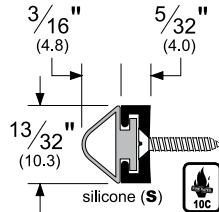
### 369\_PK

AVAILABLE FINISHES:  
A, D, G



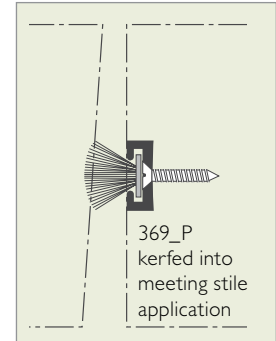
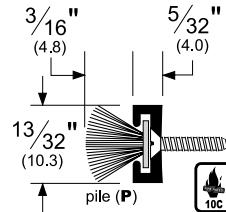
### 369\_S

AVAILABLE FINISHES:  
A, D, G



### 369\_P

AVAILABLE FINISHES:  
A, D, G



### A371P

### A372P

- Available in 84" and 96" lengths
- Available in gray pile only
- Fasten with nails or staples through pile and backing, or use adhesive. Fasteners not supplied
- Pile and backing do not separate

### 300\_P

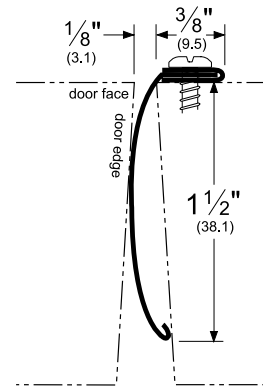
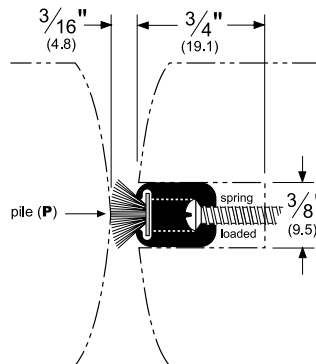
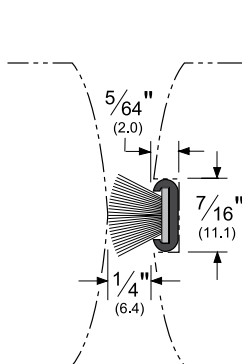
AVAILABLE FINISHES:  
B, C, D, G

- For a 3/8" gap (or smaller) between doors
- Spring-loaded from back side

### B71

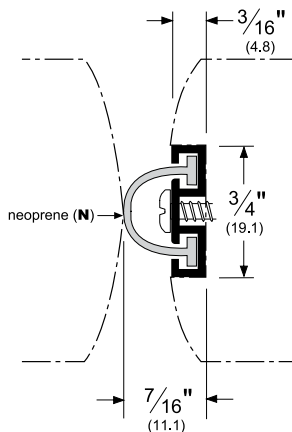
### SS71

- .008 gauge hemmed spring bronze with .015 gauge brass retainer
- .008 gauge hemmed stainless steel with .020 gauge stainless steel retainer
- Available in 96" length only



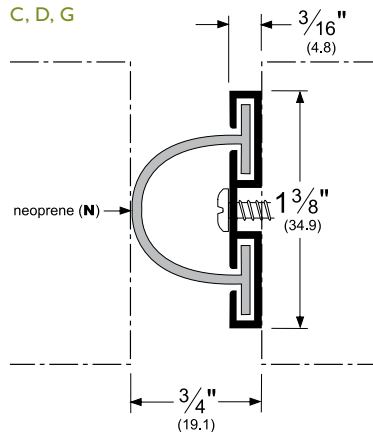
### 313\_N

AVAILABLE FINISHES:  
A, D, G



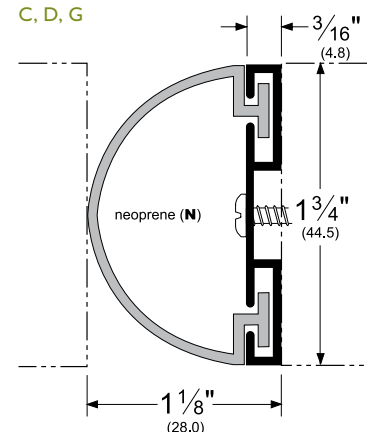
### 314\_N

AVAILABLE FINISHES:  
C, D, G



### 358\_N

AVAILABLE FINISHES:  
C, D, G



AVAILABLE FINISHES FOR PRODUCTS SHOWN ON THIS PAGE (see General Information section for finish chart)

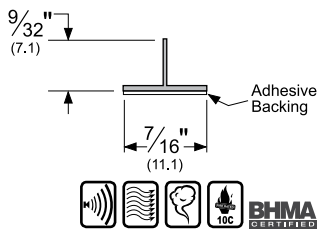
A (Mill Finish Aluminum) B (Mill Finish Extruded Bronze [Brass]) B (Hemmed Spring Bronze) C (Clear Anodized) D (Dark Bronze Anodized) G (Gold Anodized) SS (Stainless Steel) Special finishes available upon request

## Adhesive Astragal/Meeting Stile Seals

- The **S771** and **S772** astragal/meeting stile seals can be installed on virtually any pair of doors where sound attenuation is required. These products seal the opening to prevent heat loss, retard the passage of smoke, and act as a weatherization product
- Excellent resistance to compression set, particularly at elevated temperatures and for extended periods of time
- Stays flexible between -58°F and 450°F with very high resistance to flex fatigue
- Maintains a low closing force
- Easy installation requires no mechanical fasteners; can be cut to size in the field

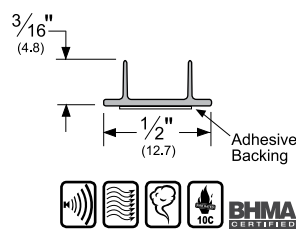
### S771\_

AVAILABLE FINISHES: **C, D, W**  
AVAILABLE LENGTHS: 7', 8', 9', 10'



### S772\_

AVAILABLE FINISHES: **D, W**  
AVAILABLE LENGTHS: 7', 8', 10'



#### Notes For All Adhesive Gasketing:

Storage and shelf life: All adhesive gaskets have a limited shelf life. This product must be installed within 6 months of purchase and must be stored between 50°F and 100°F.

For further notes/details, please see Adhesive Gasketing section.

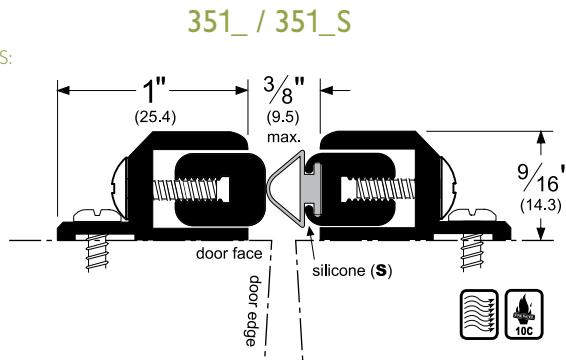
## Adjustable Astragals

- Available in 84", 96" and 120" lengths
- When used as split astragals on double doors, two lengths must be ordered: one for each door

### 351\_S

AVAILABLE FINISHES:  
**B, C, D, G**

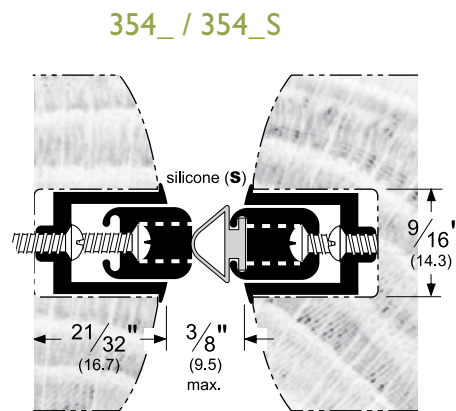
- Surface applied



### 354\_S

AVAILABLE FINISHES:  
**B, C, D, G**

- Fully mortised

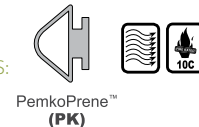


NOTE: If you require split astragals in a metal to gasket configuration, you must order each leaf separately with your choice of insert in the tables below

#### Alternate Inserts For 351

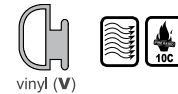
##### 351\_PK

AVAILABLE FINISHES:  
**B, C, D, G**



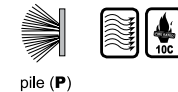
##### 351\_V

AVAILABLE FINISHES:  
**B, C, D, G**



##### 351\_P

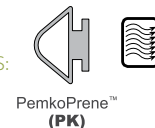
AVAILABLE FINISHES:  
**B, C, D, G**



#### Alternate Inserts For 354

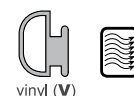
##### 354\_PK

AVAILABLE FINISHES:  
**B, C, D, G**



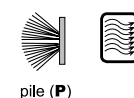
##### 354\_V

AVAILABLE FINISHES:  
**B, C, D, G**



##### 354\_P

AVAILABLE FINISHES:  
**B, C, D, G**

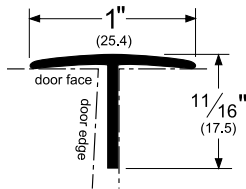


AVAILABLE FINISHES FOR PRODUCTS SHOWN ON THIS PAGE (see General Information section for finish chart)  
**BL** (Black) **C** (Clear Anodized) **D** (Dark Bronze Anodized) **G** (Gold Anodized)  
Special finishes available upon request

## "T" and Overlapping Astragals

### 359\_

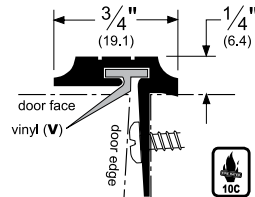
AVAILABLE FINISHES:  
A, B, BDG, DW



### 356\_V

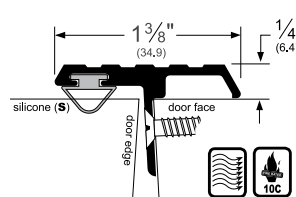
AVAILABLE FINISHES:  
A, BDG, D, PW, SN

- Countersink drilling with countersunk flathead screws also available upon request at no extra charge



### 355\_S

AVAILABLE FINISHES:  
B, BDG, C, D, G, PW, SN



### Alternate Inserts For 355

#### 355\_V

AVAILABLE FINISHES:  
B, BDG, C, D, G, PW, SN



#### 355\_P

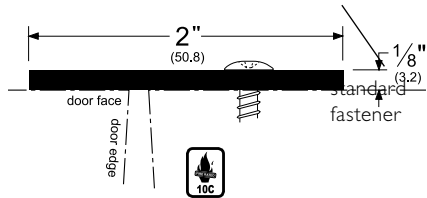
AVAILABLE FINISHES:  
B, BDG, C, D, G, PW, SN



### 357\_ / 357\_ND

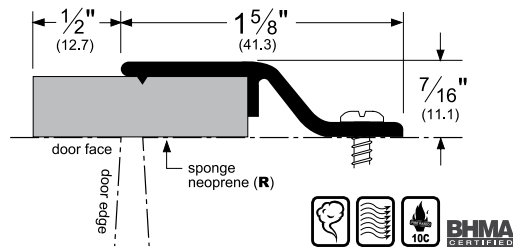
AVAILABLE FINISHES:  
C, D, G, SP, SS (#4 Finish & #4 Edge)

- "ND" denotes "no drill" (unless specified "ND", astragals are drilled)
- Standard fastener is #10 x 1" Truss Head SMS



### 375\_R

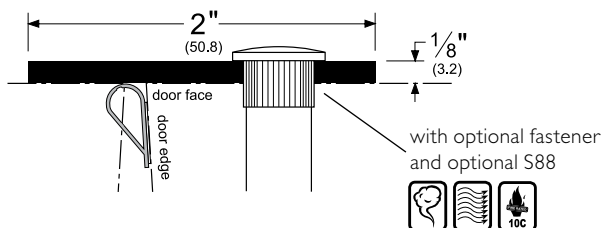
AVAILABLE FINISHES:  
B, C, D, G



### 357\_ with S88

AVAILABLE FINISHES:  
SP, SS (#4 Finish & #4 Edge)

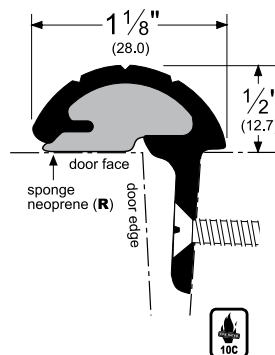
- 1/4" - 20 machine screws and thru-bolts must be ordered separately at additional cost
- Standard fastener is #10 x 1" Truss Head SMS
- S88 (see Adhesive Gasketing section) must be ordered separately at an additional cost, if required



### 352\_R

AVAILABLE FINISHES:  
C, D, G

For reverse bevel doors



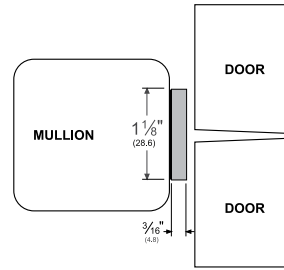
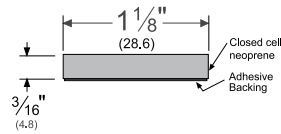
AVAILABLE FINISHES FOR PRODUCTS SHOWN ON THIS PAGE (see General Information section for finish chart)

A (Mill Finish Aluminum) B (Mill Finish Extruded Bronze [Brass]) BDG (Bright Dip Gold Anodized) C (Clear Anodized) D (Dark Bronze Anodized) G (Gold Anodized) PW (Painted White) SN (Satin Nickel Anodized) SP (Galvannealed Steel) SS (See Individual Part) Special finishes available upon request

## Adhesive-Backed Mullion Gasketing

### 5110\_

AVAILABLE FINISH: **BL**  
AVAILABLE LENGTHS: 120"



## Offset Security Bar

- For use on single outswing wood or metal doors
- Covers gap between the door and jamb for the full door height, preventing prying and manipulation

- 3572\_ supplied drilled 12" on center with 1/4" holes; "ND" denotes "no drill"

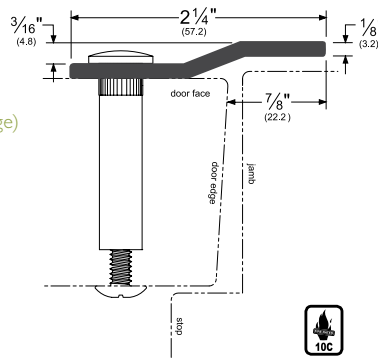
### 3572\_

#### 3572\_ND

AVAILABLE FINISHES:  
SP, SS (#4 Finish & #4 Edge)

AVAILABLE LENGTHS:  
80", 84" and 96"

**10 GAUGE**

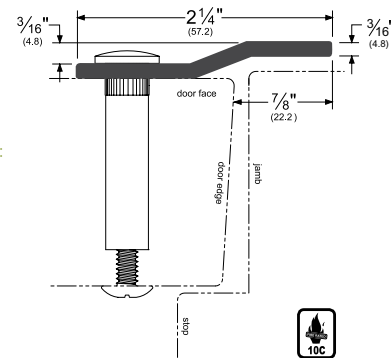


### 3572PP7

3572PP7ND  
AVAILABLE FINISHES:  
PP

AVAILABLE LENGTHS:  
84"

**7 GAUGE**



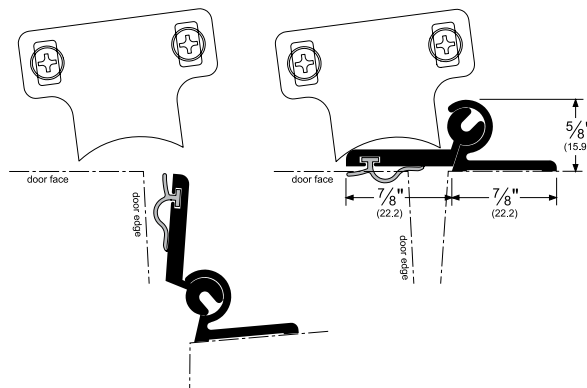
## Security Astragal

- Automatic security astragal for outswing pairs of wood and metal doors
- Discourages manipulation of panic-type hardware
- Astragal is held flush against other door by 1/2" thick cam (cam and mounting screws included)
- Anodized aluminum with vinyl seal and stainless steel operating spring

- Either door may be active without requiring a coordinator
- Only available in 86" and 96" lengths. Parts can be trimmed 12" maximum from each end
- Should be mounted prior to attaching panic hardware to eliminate the problem of interference
- Must be installed on the inside and top of a pair of outswing doors

### 378\_

AVAILABLE FINISHES:  
C, D, G



AVAILABLE FINISHES FOR PRODUCTS SHOWN ON THIS PAGE (see General Information section for finish chart)  
**B** (Mill Finish Extruded Bronze [Brass]) **C** (Clear Anodized) **D** (Dark Bronze Anodized) **G** (Gold Anodized) **PP** (Prime Painted)  
Special finishes available upon request

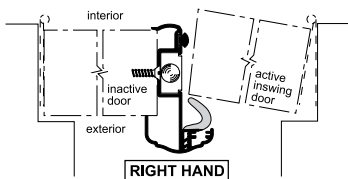
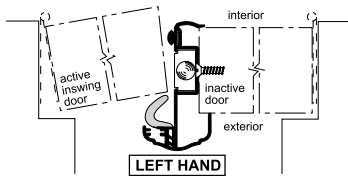
## Locking Astragals

- Weatherstripped astragals with locking spring bolts or slide bolts for 1¾" inswing double doors
- Odd numbered astragals have econ-omical smooth acting slide bolts. Slide bolts are 18" from the top/bottom for easier access. Even numbered astragals have locking spring bolts. Both have full ¾" diameter steel bolts with 1½" throw. In the extended and locked position, locking spring bolts cannot be easily retracted by tampering. In the retracted position, the spring loaded bolts latch firmly, preventing marking of the floor and door header trim when opening or closing the inactive door
- Styles 3493 thru 3498 come with a molded sponge neoprene bottom seal
- All feature four-way adjustable strike plate mounting for latchbolt and deadbolt
- All come with a vinyl snap-in cover strip to conceal the cutout and cover the mounting screws
- Astragal stock lengths are 80", 84", 96" and 120"
- A standard deadbolt punchout is ¾" x 4" at 40" on center Punchout supplied on request only
- Punchout supplied on request only
- For non-stock astragals, specify deadbolt punchout size and center distance from top end
- Specify handing using the handing chart on page AM-8 or AM-11

### Handing Chart For Astragals

(For pages AM-8 thru AM-10)

An astragal is handed by the hand of the active door. The hand of the active door is determined by the position of the hinges on the door, when viewed from the outside (the key side)



### Slimline style with slide bolt

**3493\_S**

**3493\_V**

AVAILABLE FINISHES:  
**BDG, C, D, G, PW, SN**

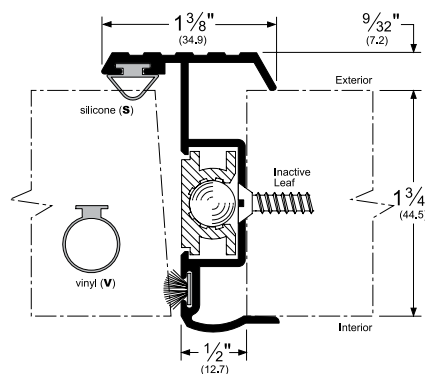
**3493** also available with 18" slide bolt (at additional cost) for easier access (specify "L" at the end of the product number for this option i.e. **3493\_VL**)

### Slimline style with locking spring bolt

**3494\_S**

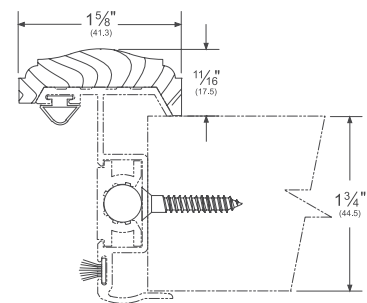
AVAILABLE FINISHES:  
**BDG, C, D, G, PW, SN**

### Slimline Style



### Oak Fascia

**OAK349-96**



- Available in 96" length only
- The oak fascia is attached to the face of 3493/3494 locking metal astragals, providing a aesthetic appearance while utilizing the mechanical advantages of the locking metal astragals
- The oak fascia is supplied unfinished to allow for custom matching

AVAILABLE FINISHES FOR PRODUCTS SHOWN ON THIS PAGE (see General Information section for finish chart)

**BDG** (Bright Dip Gold Anodized) **C** (Clear Anodized) **BL** (Black) **G** (Gold Anodized) **PW** (Painted White) **SN** (Satin Nickel Anodized)  
Special finishes available upon request

## Locking Astragals Colonial Style

Colonial style with slide bolt

**3495\_M**

**3495\_Q**

AVAILABLE FINISHES:  
BDG, C, D, PW, SN

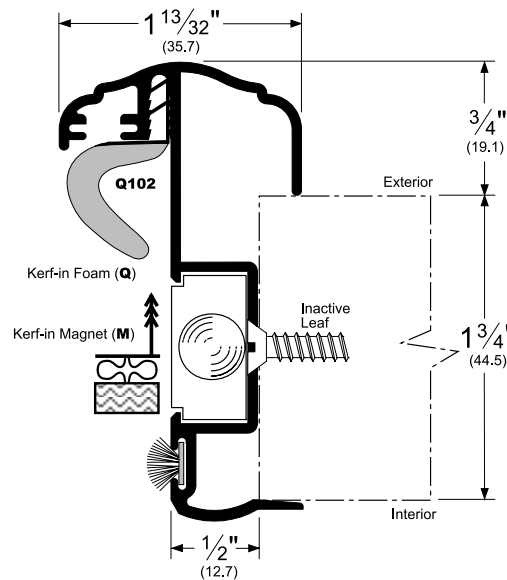
- 3495 available with 18" aluminum bar; specify "L" at the end of product number (i.e. 3498\_Q96L)

Colonial style with locking spring bolt

**3496\_M**

**3496\_Q**

AVAILABLE FINISHES:  
BDG, C, D, G, PW, SN

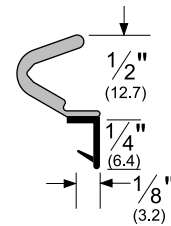


**Q108\_**

AVAILABLE FINISHES:

**BL, W**

Available with Q108 insert only upon request



## Colonial Style with Thermal Break

Colonial style with slide bolt and thermal break

**3497\_M**

**3497\_Q**

AVAILABLE FINISHES:  
BDG, C, D, PW

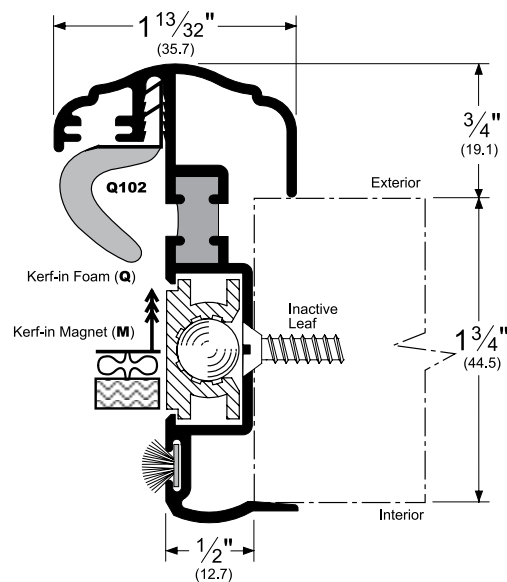
- 3497 available with 18" aluminum bar; specify "L" at the end of product number (i.e. 3497\_M96L)

Colonial style with locking spring bolt and thermal break

**3498\_M**

**3498\_Q**

AVAILABLE FINISHES:  
BDG, C, D, PW



AVAILABLE FINISHES FOR PRODUCTS SHOWN ON THIS PAGE (see General Information section for finish chart)

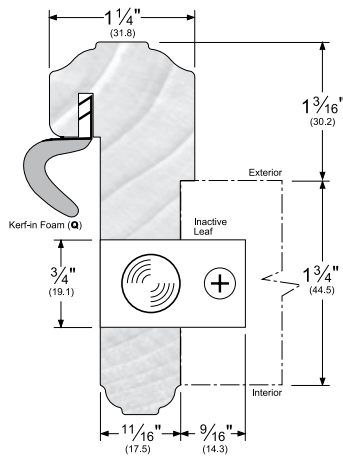
BDG (Bright Dip Gold Anodized) C (Clear Anodized) D (Dark Bronze Anodized) G (Gold Anodized) PW (White) SN (Satin Nickel Anodized)  
Special finishes available upon request Kerf Colors: BL (Black) W (White)

## Locking Wood Astragals

- Fir and Oak are clear, stain grade with no knots on visible surfaces
- **3481's** are supplied with a hardware kit including:  
Two (2) bright brass sliding type flush bolt assemblies

### 3481\_Q

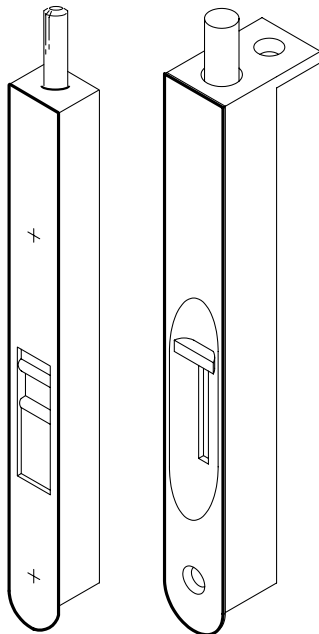
AVAILABLE FINISHES:  
**FIR , OAK**



### 3483FB

### 3481FB

- Flush bolt face plates for 3483FB are 3/4" x 7".  
Face plates for 3481FB are 3/4" x 6"
- A 3/4" x 9/16" x 1/8" notch at the top of the door is required for the flush bolt mounting flange on 3481FB
- Flush bolt assemblies for locking wood astragals can be purchased separately

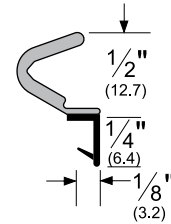


Illustrations not to scale.

(5/16" diameter x 1" long throw bolt) and one 1/2" thick sponge neoprene bottom seal with double faced adhesive for attachment (non-handed)

### Q108\_

AVAILABLE FINISHES:  
**D, W**  
**3481** available with **Q108**  
insert only upon request

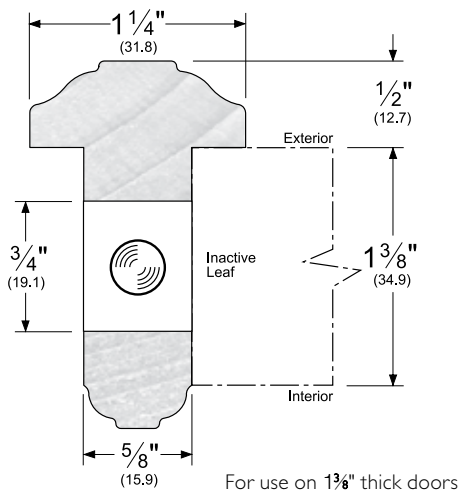


### 3483\_ (0 flush bolts)

### 34831\_ (1 flush bolt)

### 34832\_ (2 flush bolts)

AVAILABLE FINISHES:  
**FIR , OAK**



AVAILABLE FINISHES FOR PRODUCTS SHOWN ON THIS PAGE (see General Information section for finish chart)

**BDG** (Bright Dip Gold Anodized) **C** (Clear Anodized) **D** (Dark Bronze Anodized) **G** (Gold Anodized) **PW** (White) **SN** (Satin Nickel Anodized)  
Kerf Colors: **BL** (Black) **W** (White)



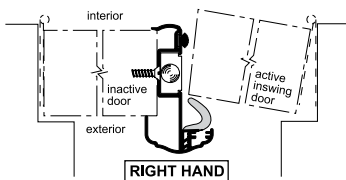
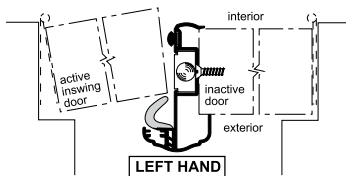
## Outswing Locking Astragals

- Weatherstripped astragals with locking spring bolts or slide bolts for 1 $\frac{3}{4}$ " outswing double doors. Slide bolts are 18" from the top/bottom for easier access
- Odd numbered astragals have economical smooth acting slide bolts. Even numbered astragals have locking spring bolts. Both have full  $\frac{3}{8}$ " diameter steel bolts with 1 $\frac{1}{16}$ " throw for improved locking strength. In the extended and locked position, locking spring bolts cannot be easily retracted by tampering. In the retracted position, the spring loaded bolts latch firmly, thus preventing marking of the floor and door header trim when opening or closing the inactive door
- All come with a vinyl snap-in cover strip to conceal the cutout and to cover the mounting screws
- All feature four-way adjustable strike plate mounting for latchbolt and deadbolt
- All styles come with a molded sponge neoprene bottom seal
- Each astragal comes complete with an installation kit and detailed instructions
- Specify punchout locations with your order
- Specify handing using the handing chart below

### Handing Chart For Astragals

(For pages AM-11 thru AM-12)

An astragal is handed by the hand of the active door. The hand of the active door is determined by the position of the hinges on the door, when viewed from the outside (the key side)



### Slimline Style

#### Slimline style with slide bolt

#### 3443\_S

AVAILABLE FINISHES:

C, D, PW

3443 available with 18" aluminum bar; specify "L" at the end of product number (i.e. 3443\_S96L)

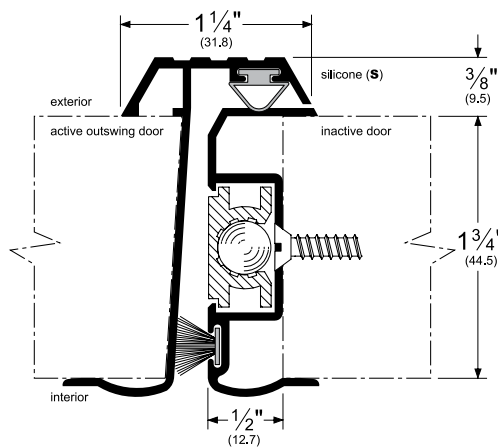
#### Slimline style with locking spring bolt

#### 3444\_S

AVAILABLE FINISHES:

C, D, PW

### Slimline Style



## Outswing Locking Astragals (Cont.)

### Colonial Style

- Can be used when the active outswing door leaf has a square edge

#### Colonial style with slide bolt

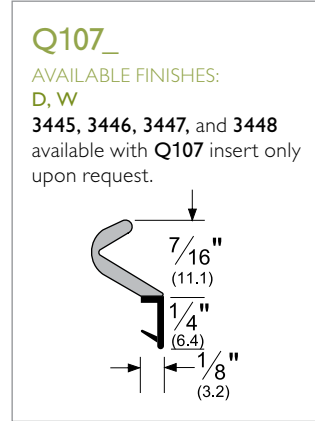
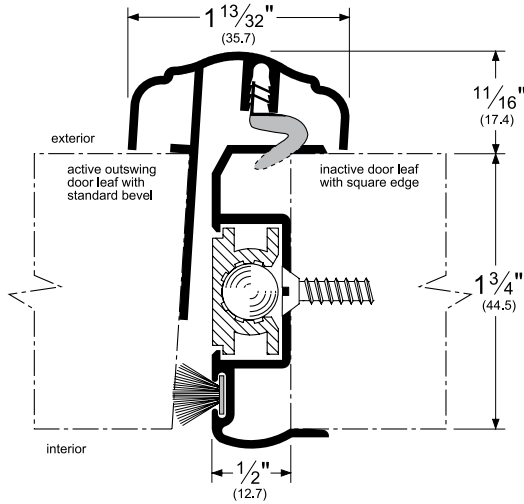
**3445\_Q**

AVAILABLE FINISH:  
**PW**

#### Colonial style with locking spring bolt

**3446\_Q**

AVAILABLE FINISH:  
**PW**



### Colonial Style with Thermal Break

- Can be used when the active outswing door leaf has a square edge

#### Colonial style with slide bolt and thermal break

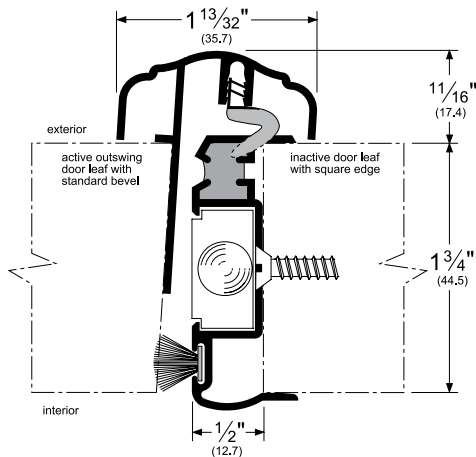
**3447\_Q**

AVAILABLE FINISH:  
**PW**

#### Colonial style with locking spring bolt and thermal break

**3448\_Q**

AVAILABLE FINISH:  
**PW**



AVAILABLE FINISHES FOR PRODUCTS SHOWN ON THIS PAGE (see General Information section for finish chart)  
**BDG** (Bright Dip Gold Anodized) **PW** (Painted White) Special finishes available upon request  
Kerf Colors: **D** (Dark Brown) **W** (White)

# BRUSH GASKETING

## CONTENTS:

180° Aluminum Retainers.....BR-2, BR-3  
 180° Concealed Fastener Retainers ..... BR-3  
 90° Aluminum Retainers..... BR-4  
 45° Aluminum Retainers.....BR-4, BR-5  
 45° Concealed Fastener Retainers..... BR-5  
 35° Aluminum Retainers..... BR-6  
 Mortise Retainers..... BR-6  
 Aluminum Retainers With Rain Drip ..... BR-6  
 Oak Retainers 36" Wide..... BR-6  
 Meeting Stiles..... BR-7  
 Automatic Door Bottoms..... BR-8

## INDEX:

| <u>PRODUCT</u> | <u>PAGE</u> | <u>PRODUCT</u> | <u>PAGE</u> | <u>PRODUCT</u> | <u>PAGE</u> |
|----------------|-------------|----------------|-------------|----------------|-------------|
| 345.....       | BR-6        | 18100.....     | BR-3        | 45041.....     | BR-5        |
| 411.....       | BR-8        | 18100W.....    | BR-6        | 45061.....     | BR-5        |
| 434.....       | BR-8        | 18137.....     | BR-2        | 45062.....     | BR-5        |
| 3452.....      | BR-6        | 18175.....     | BR-2        | 45100.....     | BR-5        |
| 4131.....      | BR-8        | 18250.....     | BR-2        | 45137.....     | BR-5        |
| 4301.....      | BR-8        | 18400.....     | BR-2        | 45175.....     | BR-4        |
| 5025.....      | BR-6        | 18950.....     | BR-2        | 45250.....     | BR-4        |
| 5041.....      | BR-6        | 29324.....     | BR-3, BR-7  | 45400.....     | BR-4        |
| 5061.....      | BR-6        | 29326.....     | BR-3, BR-7  | 90041.....     | BR-4        |
| 18041.....     | BR-3, BR-7  | 29344.....     | BR-5        | 90062.....     | BR-4        |
| 18061.....     | BR-6, BR-7  | 29346.....     | BR-5        | 90100.....     | BR-4        |
| 18062.....     | BR-3        | 35041.....     | BR-6        | 90137.....     | BR-4        |
| 18062W.....    | BR-6        | 35061.....     | BR-6        | 293100.....    | BR-3        |

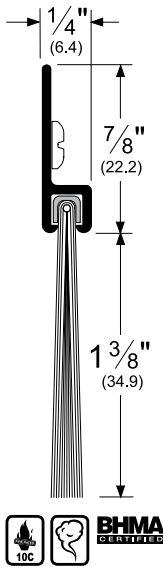


## 180° Aluminum Retainers

- All brush seals consist of densely compressed nylon filaments encased in a high quality aluminum retainer. These products are ideally suited for hollow metal and wood door applications. Also use PEMKO's brush weatherstripping product on overhead, section, sliding, and automatic doors
- All brush seals reduce the infiltration of light, air, wind, rain, and snow; prevent heat loss; and control the penetration of smoke and fumes
- Brush remains flexible down to -40°F and has a melting point above 400°F
- UV stable, dependable, long-lasting, cost-effective
- Punched with slotted holes for adjustment (except 35° angle types which are drilled with 1/8" hole)
- Naturally repels rodents and spiders; can be sprayed with household pest repellent for additional pest control

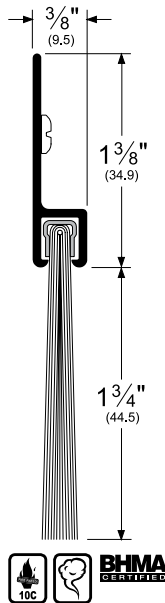
### 18137\_NB

AVAILABLE FINISHES:  
C, D, G, PW



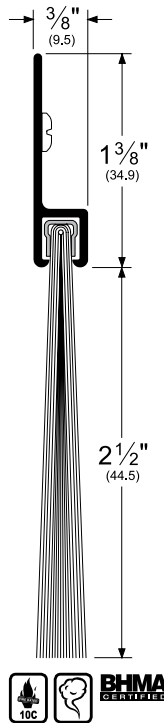
### 18175\_NB

AVAILABLE FINISHES:  
C, D, G



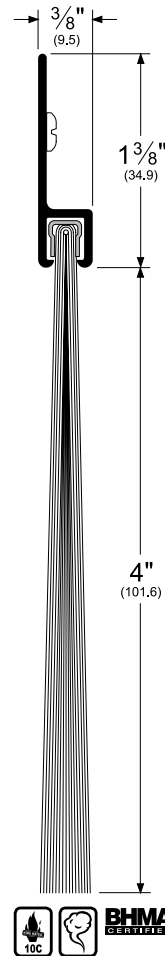
### 18250\_NB

AVAILABLE FINISHES:  
C, D, G



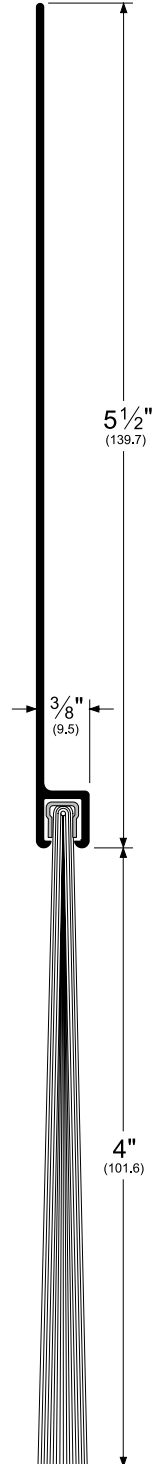
### 18400\_NB

AVAILABLE FINISHES:  
C, D, G



### 18950\_NB

AVAILABLE FINISHES:  
C, D



18950\_NB does not come punched or drilled unless specified otherwise

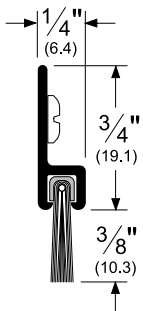
AVAILABLE FINISHES FOR PRODUCTS SHOWN ON THIS PAGE (see General Information section for finish chart)  
(Clear Anodized) (Dark Bronze Anodized) G (Gold Anodized) (Painted White)  
Special finishes available upon request



## 180° Aluminum Retainers (Cont.)

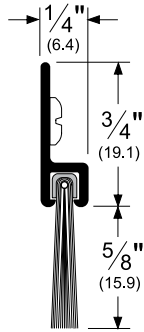
### 18041\_NB

AVAILABLE FINISHES:  
C, D, G, SN



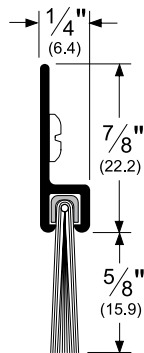
### 18061\_NB

AVAILABLE FINISHES:  
C, D, G, SN



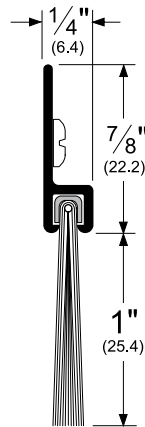
### 18062\_NB

AVAILABLE FINISHES:  
C, D, G, PW



### 18100\_NB

AVAILABLE FINISHES:  
C, D, G, PW



#### Alternate Insert For 18041

### 18041\_SB

AVAILABLE FINISHES:  
C, D, G, SN

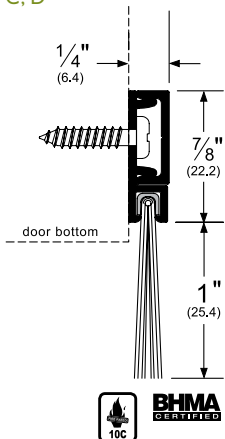


## 180° Concealed Fastener Retainers

- Aluminum snap cover conceals mounting screws to provide a clean aesthetic appearance
- Cover snaps securely into place to deter vandalism

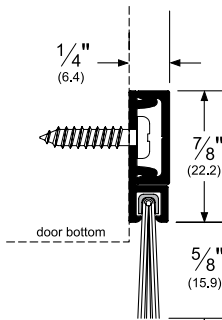
### 293100\_NB

AVAILABLE FINISHES:  
C, D



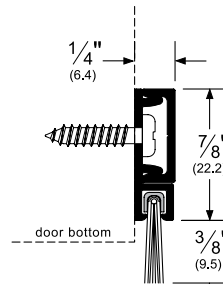
### 29326\_NB

AVAILABLE FINISHES:  
C, D, G



### 29324\_NB

AVAILABLE FINISHES:  
C, D, G



#### Alternate Insert For 29324

### 29324\_SB

AVAILABLE FINISHES:  
C, D



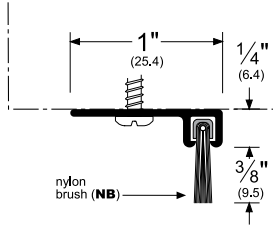
AVAILABLE FINISHES FOR PRODUCTS SHOWN ON THIS PAGE (see General Information section for finish chart)  
C (Clear Anodized) D (Dark Bronze Anodized) G (Gold Anodized) PW (Painted White) SN (Satin Nickel Anodized)  
Special finishes available upon request

## 90° Aluminum Retainers

- Design permits use as a concealed seal for many applications
- Slotted holes for easy adjustment

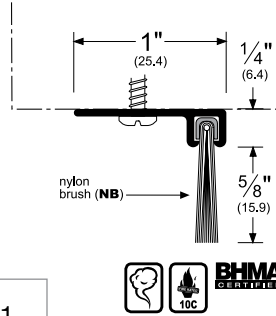
### 90041\_NB

AVAILABLE FINISHES:  
C, D



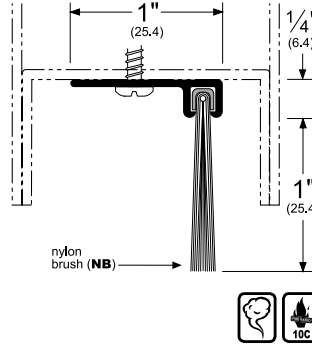
### 90062\_NB

AVAILABLE FINISHES:  
C, D



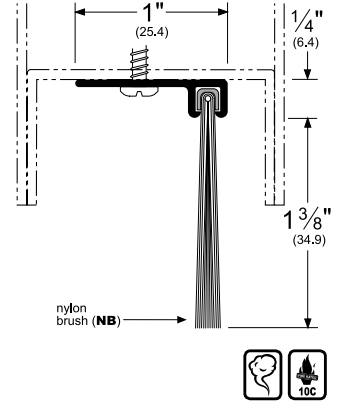
### 90100\_NB

AVAILABLE FINISHES:  
C, D, G



### 90137\_NB

AVAILABLE FINISHES:  
C, D, G



#### Alternate Insert For 90041

### 90041\_SB

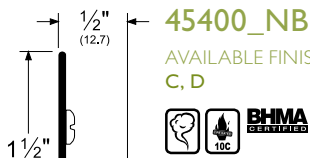
AVAILABLE FINISHES:  
C, D



soft brush (SB)

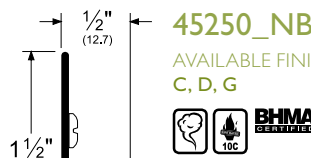
## 45° Aluminum Retainers

- Slotted holes for easy adjustment



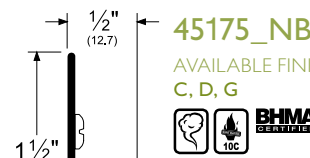
### 45400\_NB

AVAILABLE FINISHES:  
C, D



### 45250\_NB

AVAILABLE FINISHES:  
C, D, G



### 45175\_NB

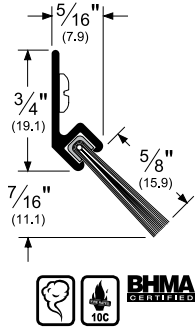
AVAILABLE FINISHES:  
C, D, G

AVAILABLE FINISHES FOR PRODUCTS SHOWN ON THIS PAGE (see General Information section for finish chart)  
C (Clear Anodized) D (Dark Bronze Anodized) G (Gold Anodized)

## 45° Aluminum Retainers (Cont.)

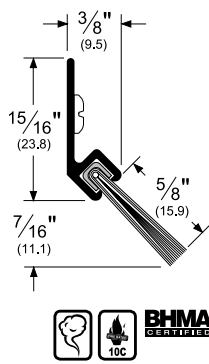
### 45061\_NB

AVAILABLE FINISHES:  
C, D, G, SN



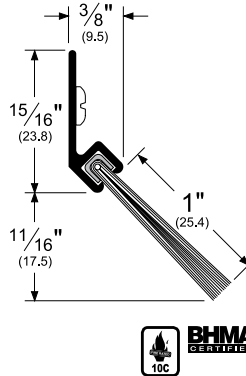
### 45062\_NB

AVAILABLE FINISHES:  
C, D, G, PW



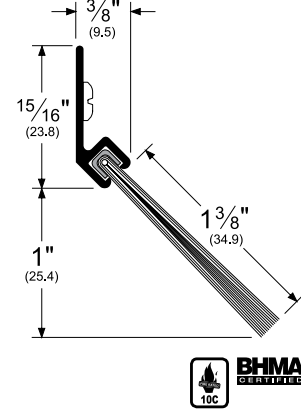
### 45100\_NB

AVAILABLE FINISHES:  
C, D, G, PW



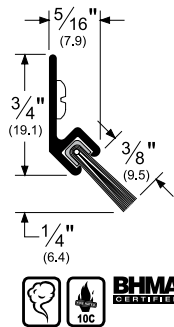
### 45137\_NB

AVAILABLE FINISHES:  
C, D, PW



### 45041\_NB

AVAILABLE FINISHES:  
C, D, G, SN



Alternate Insert For 45041

### 45041\_SB

AVAILABLE FINISHES:  
C, D, G, SN

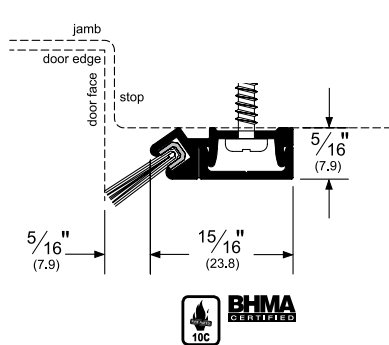


soft brush (SB)

## 45° Concealed Fastener Retainers

### 29344\_NB

AVAILABLE FINISHES:  
C, D



### 29344\_SB

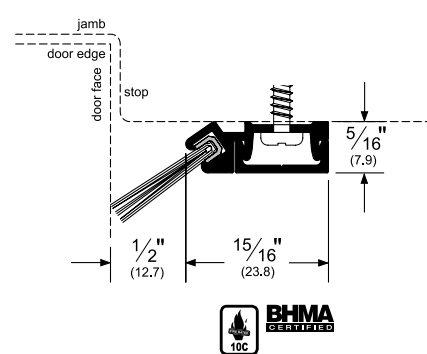
AVAILABLE FINISHES:  
C, D



soft brush (SB)

### 29346\_NB

AVAILABLE FINISHES:  
C, D



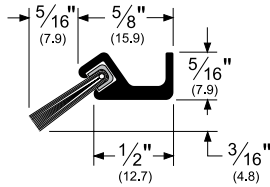
AVAILABLE FINISHES FOR PRODUCTS SHOWN ON THIS PAGE (see General Information section for finish chart)  
C (Clear Anodized) D (Dark Bronze Anodized) G (Gold Anodized) PW (Painted White) SN (Satin Nickel Anodized)

## 35° Aluminum Retainers

These products have 1/8" drilled fastener holes

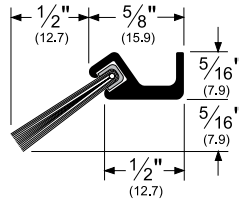
### 35041\_NB

AVAILABLE FINISHES:  
C, D, G



### 35061\_NB

AVAILABLE FINISHES:  
C, D, G



#### Alternate Insert For 35041

### 35041\_SB

AVAILABLE FINISHES:  
C, D, G

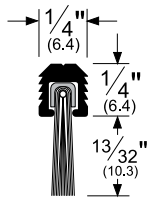


## Mortise Retainers

- The ultimate design for concealed weatherstrip needs
- Can be used on doors, windows and more

### 5041\_NB

AVAILABLE FINISH:  
A



#### Alternate Insert For 5041

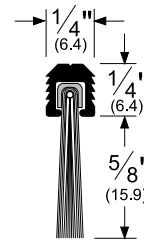
### 5041\_SB

AVAILABLE FINISHES:  
A



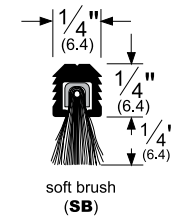
### 5061\_NB

AVAILABLE FINISH:  
A



### 5025\_SB

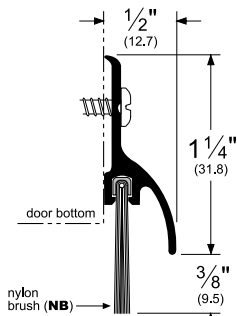
AVAILABLE FINISH:  
A



## Aluminum Retainers with Rain Drip

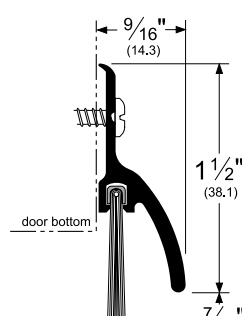
### 3452\_NB

AVAILABLE FINISHES:  
BDG, C, D, G, PW, SN



### 345\_NB

AVAILABLE FINISHES:  
A, BDG, D, G, PW

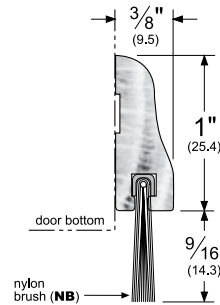


## Oak Retainers 36" Wide

- These products have 1/8" drilled fastener holes

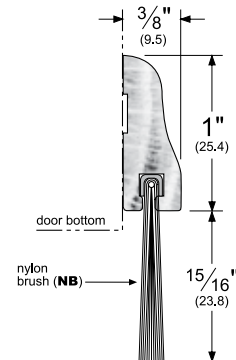
### 18062WNB

AVAILABLE FINISH:  
W



### 18100WNB

AVAILABLE FINISH:  
W



AVAILABLE FINISHES FOR PRODUCTS SHOWN ON THIS PAGE (see General Information section for finish chart)

A (Mill Finish Aluminum) BDG (Bright Dip Gold Anodized) C (Clear Anodized) D (Dark Bronze Anodized) G (Gold Anodized)  
PW (Painted White) SN (Satin Nickel Anodized) W (Unfinished Solid Oak)

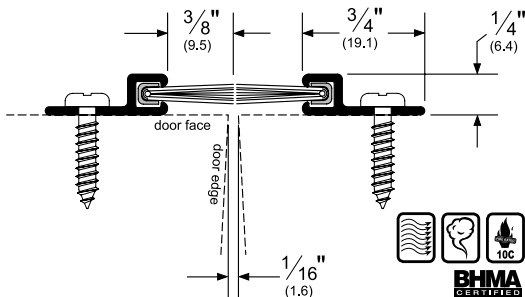


## Meeting Stiles

- Astragals and Meeting Stiles with a fire label may be mounted on pairs of doors wherein the gap meets the requirements of NFPA 80, 2-3.1.7 "The clearance between the meeting edges of doors swinging in pairs on the pull side shall be  $\frac{1}{8}$ "  $\pm$   $\frac{1}{16}$ " (3.18mm  $\pm$  1.59mm) for steel doors and shall not exceed  $\frac{1}{8}$ " (3.18mm) for wood doors"
- Snap cover helps prevent vandalism and adds an attractive finished look by concealing the fasteners
- NOTE: Although drawn with a gap between the brush, when installed, these brush products SHOULD make direct contact. Brush should mesh from  $\frac{1}{32}$ " to  $\frac{1}{16}$ "

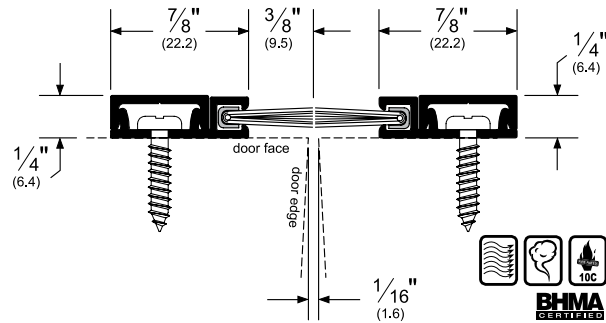
### 18041\_NB

AVAILABLE FINISHES:  
C, D, G, SN



### 29324\_NB

AVAILABLE FINISHES:  
C, D, G



#### Alternate Insert For 18041

### 18041\_SB

AVAILABLE FINISHES:  
C, D, G, SN



soft brush (SB)

#### Alternate Insert For 29324

### 29324\_SB

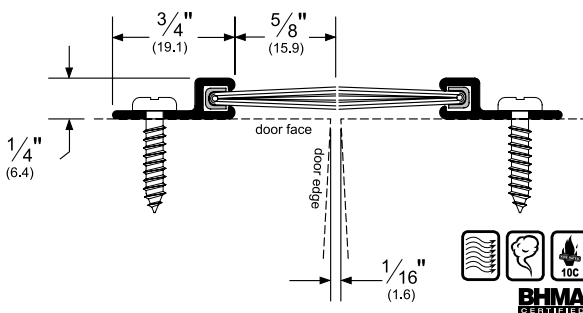
AVAILABLE FINISHES:  
C, D, G



soft brush (SB)

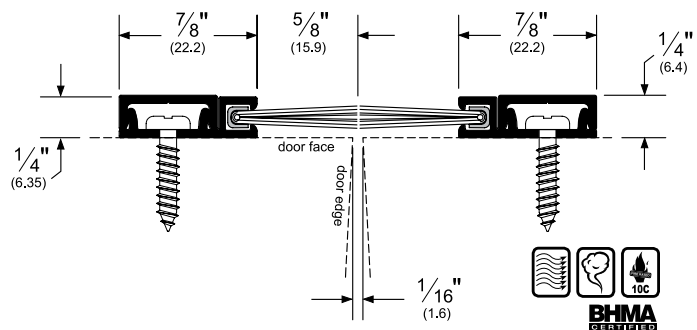
### 18061\_NB

AVAILABLE FINISHES:  
C, D, G, SN



### 29326\_NB

AVAILABLE FINISHES:  
C, D



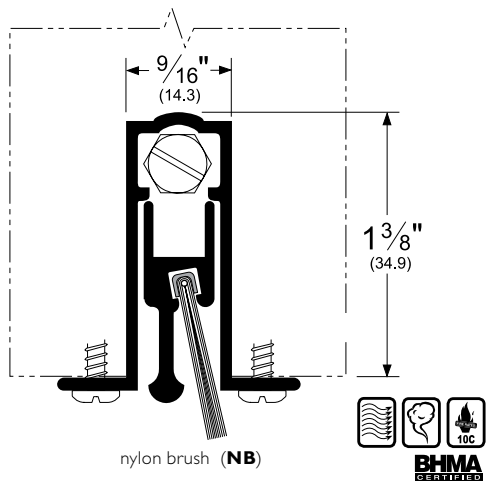
AVAILABLE FINISHES FOR PRODUCTS SHOWN ON THIS PAGE (see General Information section for finish chart)  
C (Clear Anodized) D (Dark Bronze Anodized) G (Gold Anodized) SN (Satin Nickel Anodized)

## Automatic Door Bottoms

- When ordering 4131 or 4301, specify if the automatic door bottom is for a semi-mortise application so that shorter screws can be provided

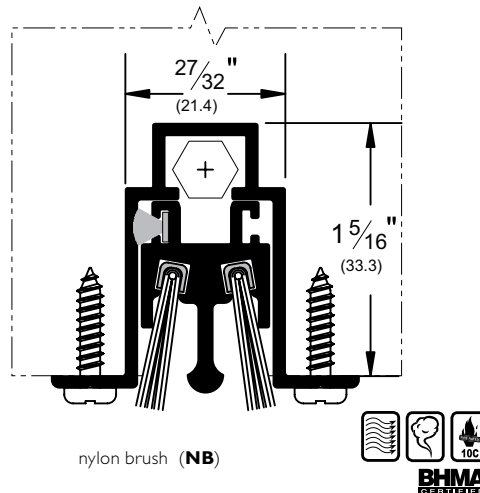
### 411\_NBL

AVAILABLE FINISH:  
A



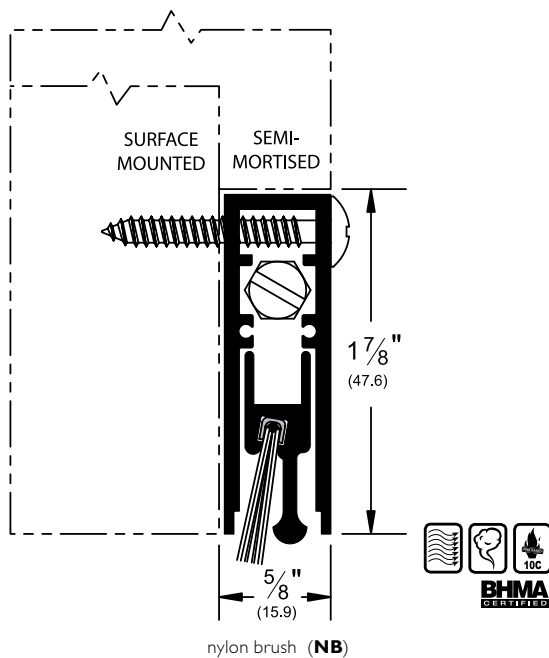
### 434\_NBL

AVAILABLE FINISH:  
A



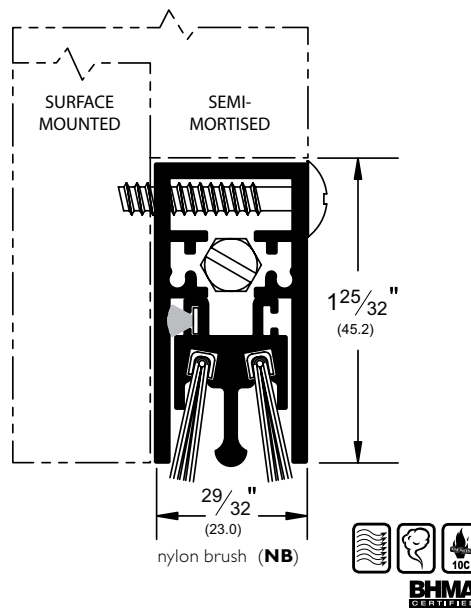
### 4131\_NBL

AVAILABLE FINISHES:  
BDG, C, D, G, SN



### 4301\_NBL

AVAILABLE FINISHES:  
C, D



AVAILABLE FINISHES FOR PRODUCTS SHOWN ON THIS PAGE (see General Information section for finish chart)

A (Mill Finish Aluminum) BDG (Bright Dip Gold Anodized) C (Clear Anodized) D (Dark Bronze Anodized) G (Gold Anodized) SN (Satin Nickel Anodized)

# PERIMETER GASKETING

## CONTENTS:

|  |            |
|--|------------|
| Standard Perimeter Gasketing.....                            | PG-2-PG4   |
| Stainless Steel Perimeter Gasketing.....                     | PG-5       |
| Adjustable Jamb Gasketing.....                               | PG-5       |
| Heavy Duty Perimeter Gasketing - Standard Jamb.....          | PG-6       |
| Heavy Duty Perimeter Gasketing - Head Section.....           | PG-6       |
| Snap Cover Perimeter Gasketing with Concealed Fasteners..... | PG-7       |
| Heavy Duty Interlock Perimeter Gasketing.....                | PG-7       |
| Kerf-In Weatherstrip-Foam, Silicone.....                     | PG-8-PG-9  |
| Thermoplastic Kerf-In Weatherstrip.....                      | PG-9       |
| Magnetic Kerf-In Weatherstrip.....                           | PG-9       |
| Adhesive Perimeter Gasketing.....                            | PG-9-PG-10 |
| Interlock Weatherstrip For Wood Doors.....                   | PG-11      |
| Interlock Weatherstrip For Wood Windows.....                 | PG-11      |
| Cushion/Spring Weatherstrip.....                             | PG-12      |

## INDEX:

| <u>PRODUCT</u> | <u>PAGE</u> | <u>PRODUCT</u> | <u>PAGE</u> | <u>PRODUCT</u> | <u>PAGE</u> |
|----------------|-------------|----------------|-------------|----------------|-------------|
| 2P.....        | PG-11       | 316.....       | PG-2        | 375SSR.....    | PG-5        |
| 4C.....        | PG-11       | 319.....       | PG-3        | AM44.....      | PG-10       |
| 4P.....        | PG-11       | 322.....       | PG-5        | AM88.....      | PG-10       |
| 6C.....        | PG-11       | 330.....       | PG-4        | MAG349.....    | PG-9        |
| 10.....        | PG-11       | 331.....       | PG-11       | NL1634.....    | PG-12       |
| 11.....        | PG-11       | 332.....       | PG-3        | NL1678.....    | PG-12       |
| 30.....        | PG-11       | 335.....       | PG-7        | NL13516.....   | PG-12       |
| 41M.....       | PG-11       | 336.....       | PG-7        | P50.....       | PG-9        |
| 43.....        | PG-11       | 350.....       | PG-5        | P51B17.....    | PG-12       |
| 70C-100.....   | PG-12       | 375.....       | PG-4        | PF114PS.....   | PG-10       |
| 70D-100.....   | PG-12       | 379.....       | PG-5        | PK33.....      | PG-10       |
| 70E-100.....   | PG-12       | 2815_M.....    | PG-9        | PK52.....      | PG-9        |
| 70F-100.....   | PG-12       | 2891.....      | PG-6        | PK55.....      | PG-10       |
| 71.....        | PG-12       | 2892.....      | PG-6        | Q102.....      | PG-8        |
| 73.....        | PG-12       | 2893.....      | PG-6        | Q103.....      | PG-8        |
| 74.....        | PG-12       | 28945.....     | PG-6        | Q106.....      | PG-8        |
| 75.....        | PG-12       | 2902.....      | PG-6        | Q107.....      | PG-8        |
| 285.....       | PG-4        | 2903.....      | PG-6        | Q108.....      | PG-8        |
| 290.....       | PG-6        | 29045.....     | PG-6        | S44.....       | PG-9        |
| 294.....       | PG-3        | 29310.....     | PG-7        | S44x2.....     | PG-10       |
| 296.....       | PG-4        | 29313.....     | PG-7        | S52.....       | PG-8        |
| 297.....       | PG-2        | 29321.....     | PG-7        | S77.....       | PG-10       |
| 299.....       | PG-3        | 29344.....     | PG-7        | S88.....       | PG-9        |
| 303.....       | PG-2        | 29346.....     | PG-7        | S104.....      | PG-8        |
| 305.....       | PG-3        | 305SSS.....    | PG-5        | S105.....      | PG-8        |
| 306.....       | PG-2        | 305SSS.....    | PG-5        | S109.....      | PG-8        |
| 309.....       | PG-4        | 315SSSR.....   | PG-5        | S771x6.....    | PG-10       |
| 312.....       | PG-4        | 319SSN.....    | PG-5        | S773.....      | PG-9        |
| 315.....       | PG-4        | 332SSR.....    | PG-5        | S776.....      | PG-10       |

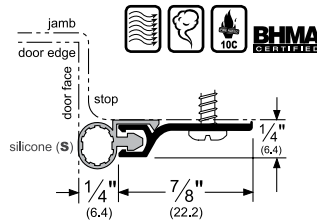


## Standard Perimeter Gasketing

- Rigid jamb weatherstrip shown mounted on openings with  $\frac{1}{16}$ " gaps; however, each weatherstrip can seal gaps up to the depth of its seal. Seal depth provided on each illustration (example: the **303** has a  $\frac{1}{4}$ " seal; therefore, it can seal up to a  $\frac{1}{4}$ " gap)
- Punched on 6" centers with slotted holes for adjustment
- Stainless steel fasteners are standard
- Other fasteners are available
- Models **294**, **303**, and **306** are available with self-adhesive two-sided tape (TST) and tek screws (3 slotted holes per part) for easy installation. To obtain this option, add "TST" to the end of the part when ordering (example: **303AVTST**)

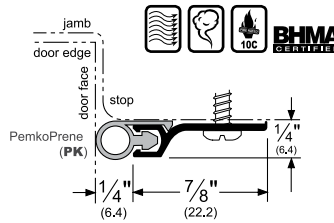
### 303\_S

AVAILABLE FINISHES:  
A, BDG, C, D, G, PW, SN



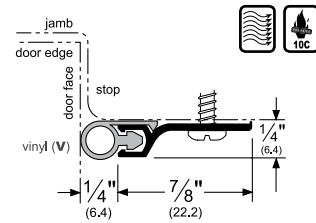
### 303\_PK

AVAILABLE FINISHES:  
A, BDG, C, D, G, PW, SN



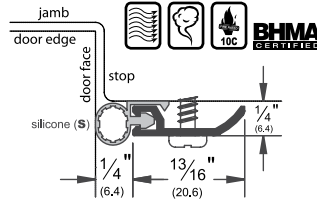
### 303\_V

AVAILABLE FINISHES:  
A, BDG, C, D, G, PW, SN



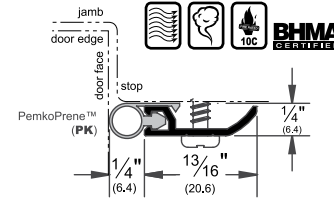
### 316\_S

AVAILABLE FINISHES:  
A, BDG, D, G



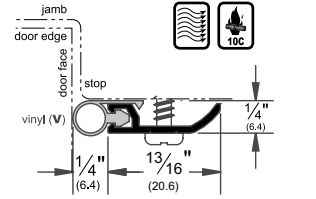
### 316\_PK

AVAILABLE FINISHES:  
A, BDG, D, G



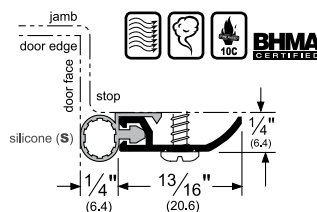
### 316\_V

AVAILABLE FINISHES:  
A, BDG, D, G



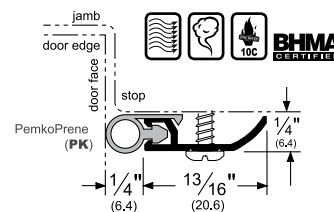
### 297\_S

AVAILABLE FINISHES:  
A, BDG, D, G, PW, SN



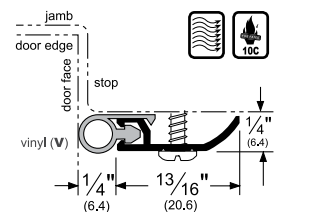
### 297\_PK

AVAILABLE FINISHES:  
A, BDG, D, G, PW, SN



### 297\_V

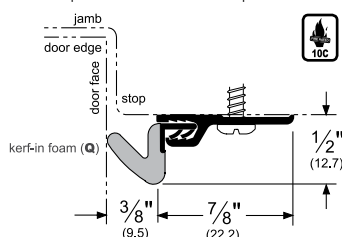
AVAILABLE FINISHES:  
A, BDG, D, G, PW, SN



### 306\_Q

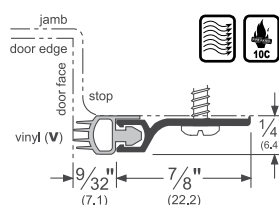
AVAILABLE FINISHES:  
A, D, PW

Minimum space between the door face and the stop is  $\frac{3}{16}$ "; maximum space is  $\frac{3}{16}$ "



### 306\_V

AVAILABLE FINISHES:  
A, BDG, D, G, PW, SN



NOTE: Products shown in this section may not be drawn to scale.

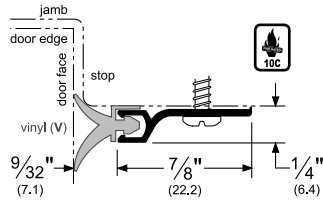
AVAILABLE FINISHES FOR PRODUCTS SHOWN ON THIS PAGE (see General Information section for finish chart)

A (Mill Finish Aluminum) BDG (Bright Dip Gold Anodized) C (Clear Anodized) D (Dark Bronze Anodized) G (Gold Anodized) PW (Painted White) SN (Satin Nickel Anodized)

## Standard Perimeter Gasketing (Cont.)

### 294\_V

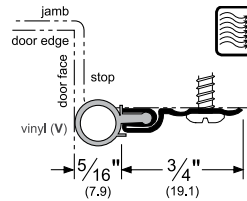
AVAILABLE FINISHES:  
A, BDG, D, G, PW, SN



### 299\_V

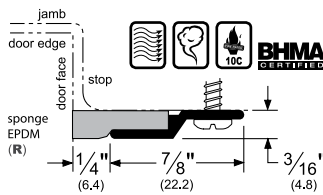
AVAILABLE FINISHES:  
PA, PD, PG, PW

Available only in 36", 72", 80",  
84" and 96" lengths



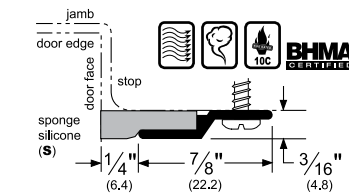
### 305\_R

AVAILABLE FINISHES:  
B, C, D, G



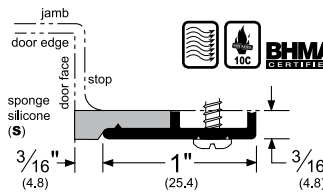
### 305\_S

AVAILABLE FINISHES:  
B, C, D, G



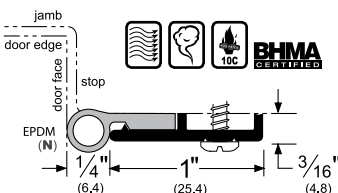
### 319\_S

AVAILABLE FINISHES:  
C, D, G



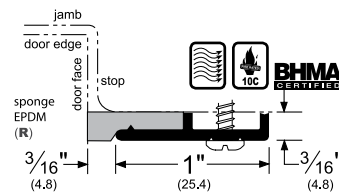
### 319\_N

AVAILABLE FINISHES:  
C, D, G



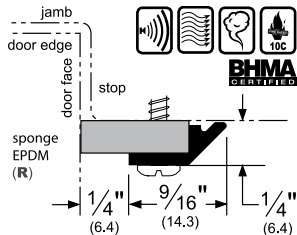
### 319\_R

AVAILABLE FINISHES:  
C, D, G



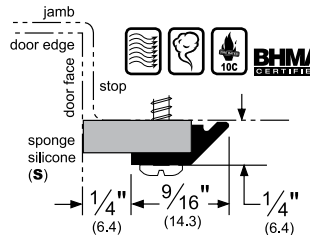
### 332\_R

AVAILABLE FINISHES:  
C, D, G



### 332\_S

AVAILABLE FINISHES:  
C, D, G



NOTE: Products shown in this section may not be drawn to scale.

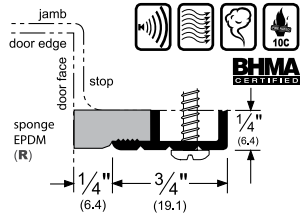
AVAILABLE FINISHES FOR PRODUCTS SHOWN ON THIS PAGE (see General Information section for finish chart)

A (Mill Finish Aluminum) B (Mill Finish Extruded Bronze [Brass]) BDG (Bright Dip Gold Anodized) C (Clear Anodized) D (Dark Bronze Anodized) G (Gold Anodized)  
PA (Mill Finish Aluminum) PD (Painted Dark Bronze) PG (Painted Gold) PW (Painted White) SN (Satin Nickel Anodized)

## Standard Perimeter Gasketing (Cont.)

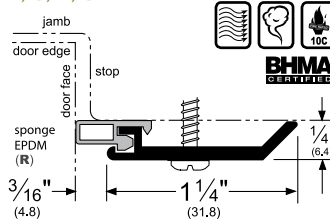
### 312\_R

AVAILABLE FINISHES:  
B, C, D, G



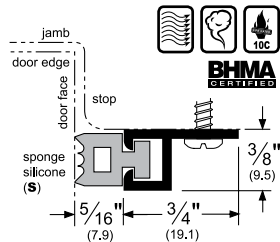
### 315\_R

AVAILABLE FINISHES:  
B, C, D, G



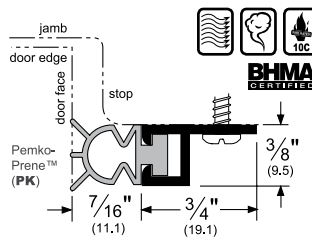
### 296\_S

AVAILABLE FINISHES:  
C, D, G



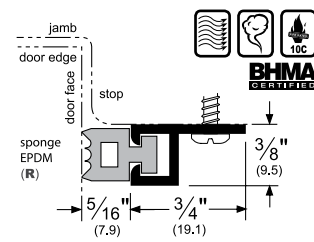
### 296\_PK

AVAILABLE FINISHES:  
C, D, G



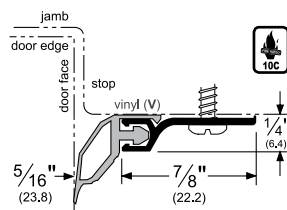
### 296\_R

AVAILABLE FINISHES:  
C, D, G



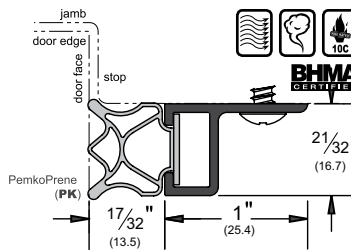
### 330\_V

AVAILABLE FINISHES:  
A, BDG, D, G, PW, SN



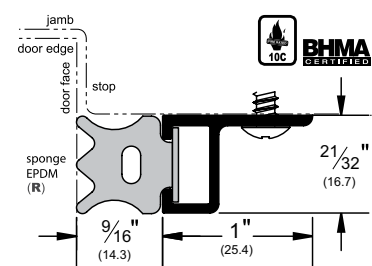
### 285\_PK

AVAILABLE FINISHES:  
C, D, G



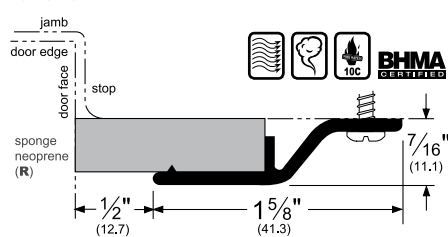
### 285\_R

AVAILABLE FINISHES:  
C, D, G



### 375\_R

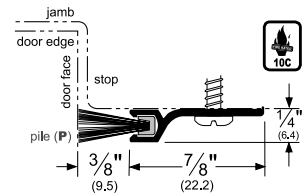
AVAILABLE FINISHES:  
B, C, D, G



### 309\_P

AVAILABLE FINISHES:  
A, BDG, D, G, PW, SN

Minimum space between the door face and the stop is 3/16"; maximum space is 5/16"



NOTE: Products shown in this section may not be drawn to scale.

AVAILABLE FINISHES FOR PRODUCTS SHOWN ON THIS PAGE (see General Information section for finish chart)

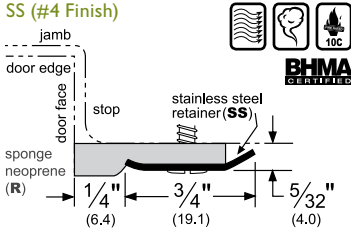
A (Mill Finish Aluminum) B (Mill Finish Extruded Bronze [Brass]) BDG (Bright Dip Gold Anodized) C (Clear Anodized) D (Dark Bronze Anodized) G (Gold Anodized) PW (Painted White) SN (Satin Nickel Anodized) SS (See Individual Part)

## Stainless Steel Perimeter Gasketing

- Stainless Steel is a tough and durable material that tolerates exposure to chemicals and heavy use
- Easy to clean to meet sanitary requirements
- Long lasting with low cost of ownership

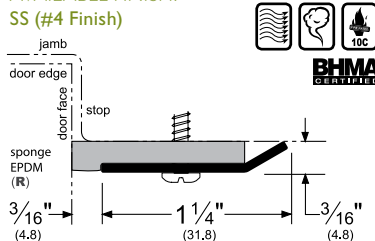
### 332SSR

AVAILABLE FINISH:  
SS (#4 Finish)



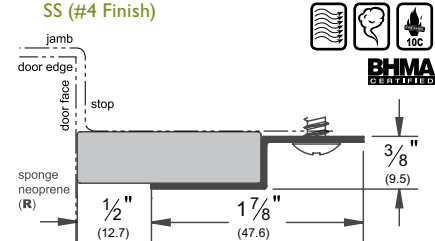
### 315SSR

AVAILABLE FINISH:  
SS (#4 Finish)



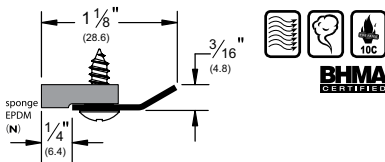
### 375SSR

AVAILABLE FINISH:  
SS (#4 Finish)



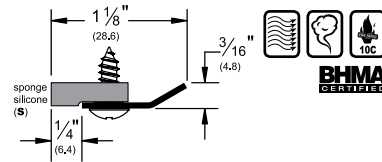
### 305SSE

AVAILABLE FINISH:  
SS (#4 Finish)



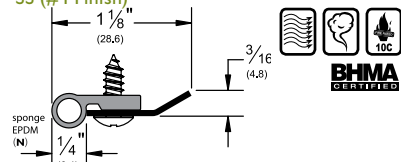
### 305SSS

AVAILABLE FINISH:  
SS (#4 Finish)



### 319SSN

AVAILABLE FINISH:  
SS (#4 Finish)

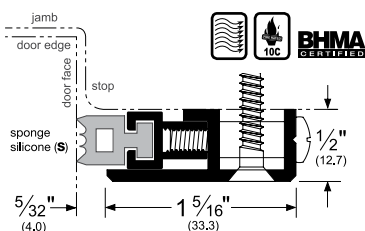


## Adjustable Jamb Gasketing

- Adjustable jamb gasketing is shown mounted on openings with 1/16 inch gaps; however, each weatherstrip can seal gaps up to 1/4 inch
- Adjustable jamb weatherstrip can adjust 3/16 inch out from the position illustrated

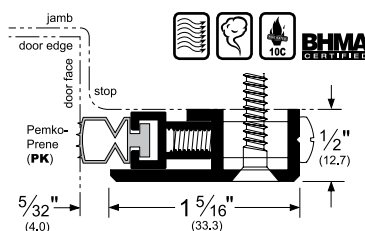
### 379\_S

AVAILABLE FINISHES: C, D, G



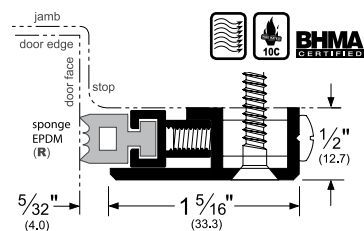
### 379\_PK

AVAILABLE FINISHES: C, D, G



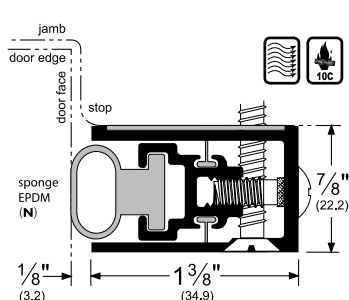
### 379\_R

AVAILABLE FINISHES: C, D, G



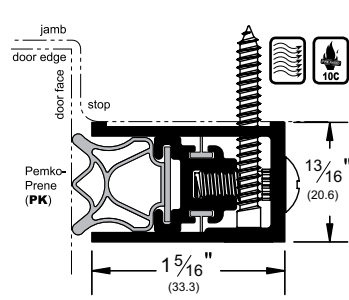
### 322\_SN

AVAILABLE FINISHES: C, D, G



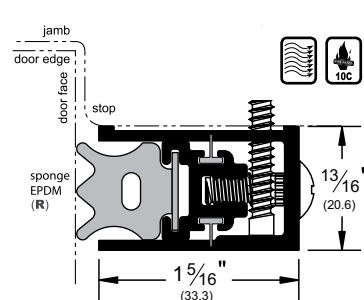
### 350\_SPK

AVAILABLE FINISHES: C, D, G



### 350\_SR

AVAILABLE FINISHES: C, D, G



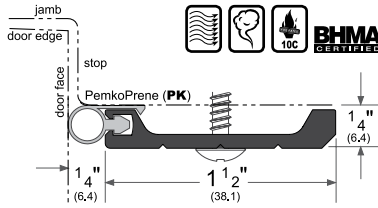
AVAILABLE FINISHES FOR PRODUCTS SHOWN ON THIS PAGE (see General Information section for finish chart)  
C (Clear Anodized) D (Dark Bronze Anodized) G (Gold Anodized) SS (See Individual Part)

## Heavy Duty Perimeter Gasketing - Standard Jamb

- All gasketing shown below is sold individually

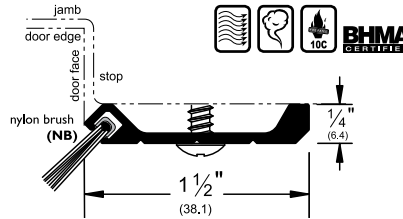
### 290\_PK

AVAILABLE FINISHES: A, D, G



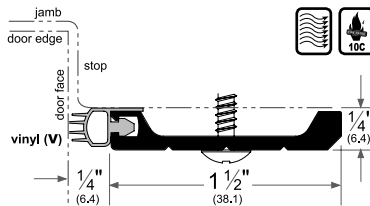
### 29045\_NB

AVAILABLE FINISHES: A, D, G



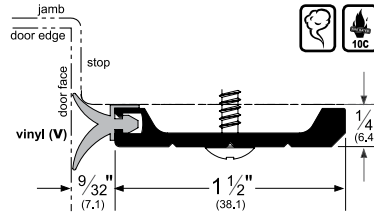
### 2902\_V

AVAILABLE FINISHES: A, D, G



### 2903\_V

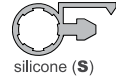
AVAILABLE FINISHES: A, D, G



### Alternate Inserts For 290

#### 290\_S

AVAILABLE FINISHES: A, D, G



#### 290\_V

AVAILABLE FINISHES: A, D, G

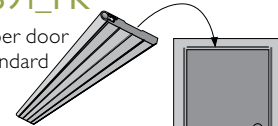


## Heavy Duty Perimeter Gasketing - Head Section

- For the head section of the frame where a parallel arm closer bracket or other hardware is required. Supplied undrilled (36") or drilled (80" and above) and supplied with sheet metal screws for mounting
- If used as a stop, flat head machine screws can be provided upon request and take a countersunk #10 hole. PEMKO will drill the head member only if drilling instructions for countersink holes are provided
- All gasketing shown below is sold individually

### 2891\_PK

1 per door standard



### 290\_PK

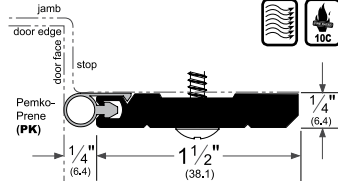
2 per door standard



When ordering a head section such as 2891\_PK, two corresponding side sections (290\_PK) should also be ordered for the latch and hinge sides of the frame.

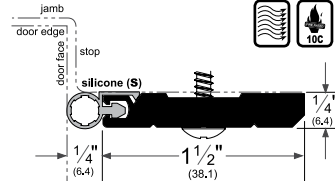
### 2891\_PK

AVAILABLE FINISHES: A, D, G



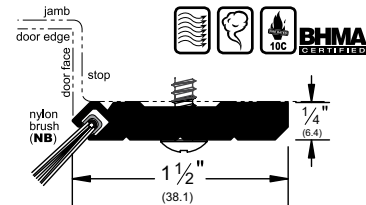
### 2891\_S

AVAILABLE FINISHES: A, D, G



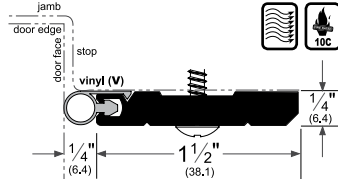
### 28945\_NB

AVAILABLE FINISHES: A, D, G



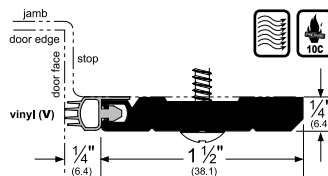
### 2891\_V

AVAILABLE FINISHES: A, D



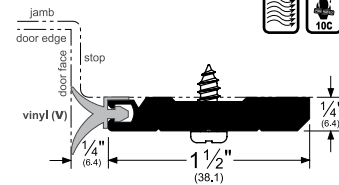
### 2892\_V

AVAILABLE FINISHES: A, D



### 2893\_V

AVAILABLE FINISHES: A, D



NOTE: Products shown in this section may not be drawn to scale.

AVAILABLE FINISHES FOR PRODUCTS SHOWN ON THIS PAGE (see General Information section for finish chart)  
A (Mill Finish Aluminum) D (Dark Bronze Anodized) G (Gold Anodized)  
Special finishes available upon request

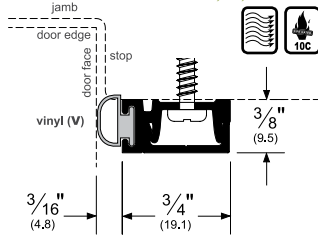


## Snap Cover Perimeter Gasketing With Concealed Fasteners

- Low-profile snap cover conceals mounting screws to provide security and a clean aesthetic appearance
- All clear anodized brush products are supplied with gray brush (black brush available upon request)

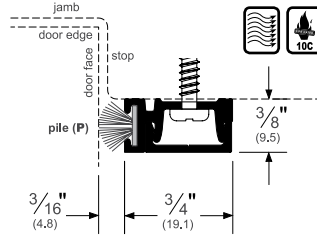
### 29310\_V

AVAILABLE FINISHES: C, D, G



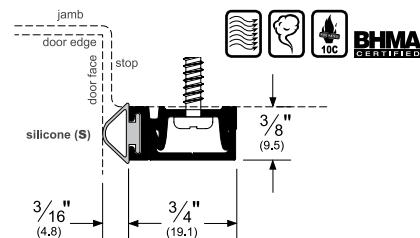
### 29310\_P

AVAILABLE FINISHES: C, D, G



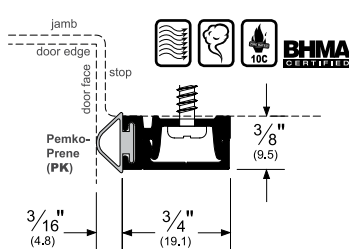
### 29310\_S

AVAILABLE FINISHES: C, D, G



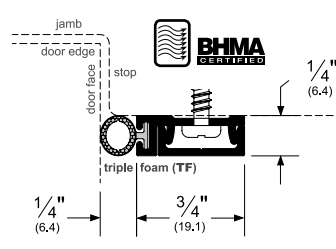
### 29310\_PK

AVAILABLE FINISHES: C, D, G



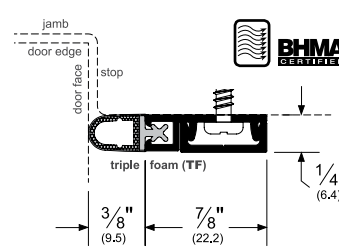
### 29313\_TF

AVAILABLE FINISHES: C, D



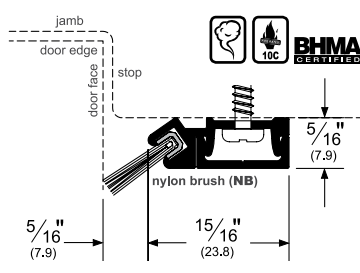
### 29321\_TF

AVAILABLE FINISHES: C, D



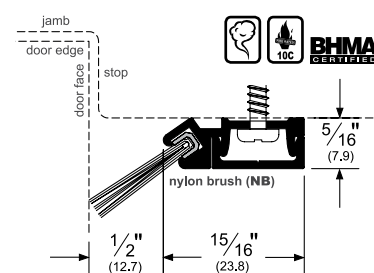
### 29344\_NB

AVAILABLE FINISHES: C, D



### 29346\_NB

AVAILABLE FINISHES: C, D



## Heavy Duty Interlock

Note: Diagram consists of two parts, each sold separately.



NOTE: Products shown in this section may not be drawn to scale.

AVAILABLE FINISHES FOR PRODUCTS SHOWN ON THIS PAGE (see General Information section for finish chart)  
A (Mill Finish Aluminum) C (Clear Anodized) D (Dark Bronze Anodized) G (Gold Anodized)

## Kerf-In Weatherstrip

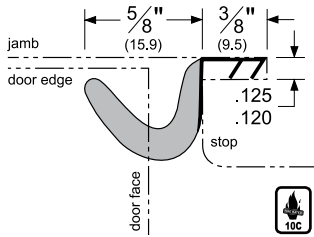
### Foam

- PEMKO's "Q" foam kerf-in weatherstrip is constructed from soft cell foam enclosed by an embossed, tear-resistant, low-friction, UV-stable polyethylene cover
- Includes rigid PVC insert with extended flange for fast and easy kerf installation

### Q102\_

AVAILABLE FINISHES: **BL, D, W**  
AVAILABLE LENGTHS: 36", 85", 97"

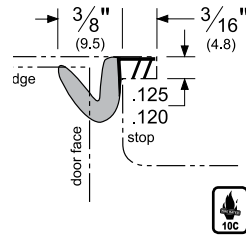
Minimum space between the door face and the stop is  $\frac{5}{16}$ "; maximum space is  $\frac{1}{2}$ "



### Q103\_

AVAILABLE FINISHES: **BL, D, W**  
AVAILABLE LENGTHS: 36", 85", 97", 121"

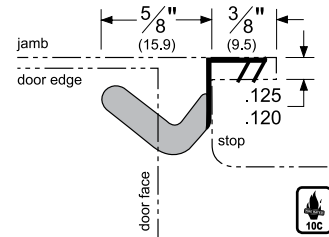
Minimum space between the door face and the stop is  $\frac{3}{16}$ "; maximum space is  $\frac{5}{16}$ "



### Q106\_

AVAILABLE FINISHES: **D, W**  
AVAILABLE LENGTHS: 36", 85", 97", 121"

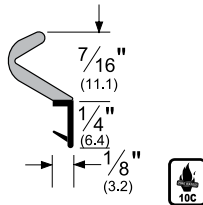
Minimum space between the door face and the stop is  $\frac{5}{16}$ "; maximum space is  $\frac{1}{2}$ "



### Q107\_

AVAILABLE FINISHES: **BL, W**

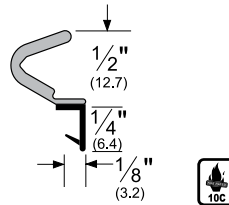
Minimum space between the door face and the stop is  $\frac{1}{16}$ "; maximum space is  $\frac{7}{16}$ "  
Sold per foot (specify length)



### Q108\_

AVAILABLE FINISHES: **BL, W**

Minimum space between the door face and the stop is  $\frac{1}{8}$ "; maximum space is  $\frac{1}{2}$ "  
Sold per foot (specify length)



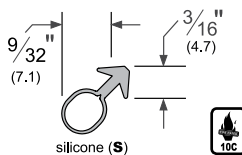
### Silicone

- Extruded from platinum cross-linked silicon
- Self-extinguishing and non-toxic
- Unaffected by sunlight, ozone, and ultraviolet rays
- Impervious to fungus and mildew; will not deteriorate under normal exposure

### S104\_100

AVAILABLE FINISHES: **D, W**

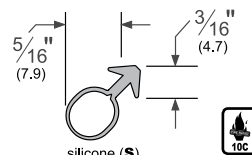
Minimum space between the door face and the stop is  $\frac{1}{16}$ "; maximum space is  $\frac{1}{4}$ "



### S109\_100

AVAILABLE FINISHES: **D, W**

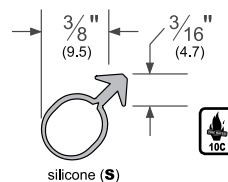
Minimum space between the door face and the stop is  $\frac{1}{16}$ "; maximum space is  $\frac{5}{16}$ "



### S105\_100

AVAILABLE FINISHES: **D, W**

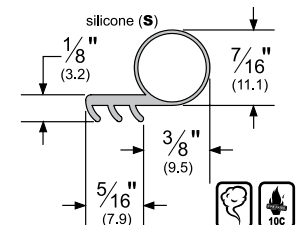
Minimum space between the door face and the stop is  $\frac{1}{16}$ "; maximum space is  $\frac{3}{8}$ "



### S52\_100

AVAILABLE FINISHES: **BL, W**  
AVAILABLE LENGTHS: 100"

- Minimum space between the door face and the stop is  $\frac{1}{16}$ "; maximum space is  $\frac{3}{8}$ "
- Positive Pressure rated up to 3 hours



NOTE: Products shown in this section may not be drawn to scale.

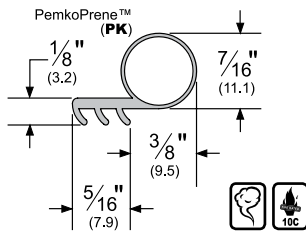
AVAILABLE FINISHES FOR PRODUCTS SHOWN ON THIS PAGE (see General Information section for finish chart)  
**BL** (Black) **D** (Dark Brown) **W** (White)

## Kerf-In Weatherstrip (Cont.)

### PK52\_

AVAILABLE FINISHES: **BL, W**  
AVAILABLE LENGTHS: 18', 20', 300'

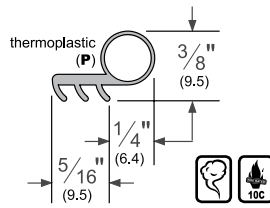
- Minimum space between the door face and the stop is  $\frac{1}{16}$ "; maximum space is  $\frac{3}{8}$ "
- Positive Pressure rated up to 20 minutes



### P50\_

AVAILABLE FINISHES: **BL, W**  
AVAILABLE LENGTHS: 17', 25', 250'

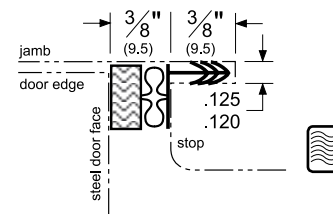
- Minimum space between the door face and the stop is  $\frac{1}{16}$ "; maximum space is  $\frac{5}{16}$ ". Available in 17' or 25' packaged coils
- Thermoplastic elastomer formulation will not transmigrate; remains flexible to  $-60^{\circ}$  F



### MAG349\_

AVAILABLE FINISHES: **D, W**  
AVAILABLE LENGTHS: 37", 85", 96", 121"

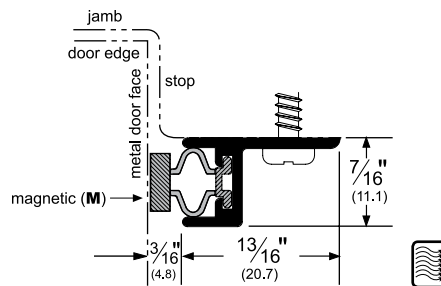
- Minimum space between the door face and the stop is  $\frac{3}{8}$ "; maximum space is  $\frac{7}{16}$ "
- Magnetic kerf-in weatherstrip features a magnetic strip encased by a UV-stable TPE cover
- Use for steel-faced door and wood frame applications
- Can be trimmed in the field and corner-mitered



## Magnetic Gasketing

### 2815\_M

AVAILABLE FINISHES: **C, D, G**



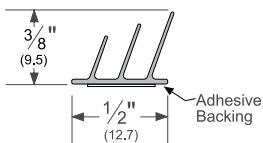
## Adhesive Perimeter Gasketing

For more information on these perimeter gasketing products, please see the Adhesive Gasketing section.

### S773\_

AVAILABLE FINISHES: **BL, D, GR, W**  
AVAILABLE LENGTHS: 17', 18', 20', 21', 25', 30', 250'

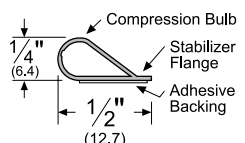
- Triple-fin design effectively blocks light and sound from infiltrating a room
- Product designed as hospitality gasketing (see more hospitality products in the Hospitality Products section)



### S88\_

AVAILABLE FINISHES: **BL, C, D, GR, TAN, W**  
AVAILABLE LENGTHS: 17', 18', 20', 21', 25', 30', 204', 510'

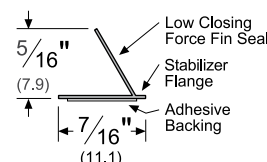
- Seal begins compressing at  $\frac{1}{4}$ "; compresses to seal up to a  $\frac{1}{16}$ " gap



### S44\_

AVAILABLE FINISHES: **BL, D, GR, W**  
AVAILABLE LENGTHS: 17', 18', 20', 21', 25', 30', 510'

- Designed for tighter frames.
- Demonstrates extremely low closing force.
- Seal begins compressing at  $\frac{5}{16}$ "; compresses to seal up to a  $\frac{1}{16}$ " gap



AVAILABLE FINISHES FOR PRODUCTS SHOWN ON THIS PAGE (see General Information section for finish chart)

**BL** (Black) **C** (Black) **D** (Dark Brown) **W** (White)  
Adhesive Corner Pad Colors: blank (Black Pad) **W** (White Pad)  
Metal: **C** (Clear Anod) **D** (Dark Brown Anod) **G** (Gold Anod)

Copyright © 2012, Pemko Manufacturing Co., an ASSA ABLOY Group company. All rights reserved.

Reproduction in whole or in part without the express written permission of Pemko Manufacturing Co. is prohibited.

ASSA ABLOY, the global leader  
in door opening solutions

## Adhesive Perimeter Gasketing (Cont.)

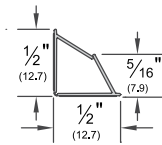
For more information on these perimeter gasketing products, please see the Adhesive Gasketing section.

### S44x2

**NEW!**

AVAILABLE FINISHES: **BL, D, GR, W**  
AVAILABLE LENGTHS: 17', 18', 20', 21', 25', 30', 510'

- Fits flush into corner
- Seal begins compressing at  $\frac{5}{16}$ "; compresses to seal up to a  $\frac{1}{4}$ " gap

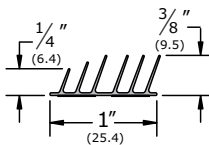


### S776

**NEW!**

AVAILABLE FINISHES: **BL**  
AVAILABLE LENGTHS: 17', 18', 20', 21'

- Designed for hollow metal and wood meeting stile applications
- Seal begins compressing at  $\frac{3}{8}$ "; compresses to seal up to a  $\frac{1}{4}$ " gap

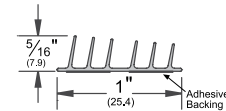


### S771x6

**NEW!**

AVAILABLE FINISH: **BL**  
AVAILABLE LENGTHS: 7', 8', 10', 17', 18', 20', 21', 25'

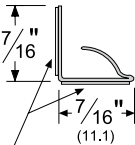
- Designed for hollow metal and wood meeting stile applications
- Seal begins compressing at  $\frac{5}{16}$ "; compresses to seal up to a  $\frac{1}{4}$ " gap



### PF114PS

AVAILABLE FINISH: **BL**  
AVAILABLE LENGTHS: 36", 48", 72", 86", 96"

- Polypropylene pressure sensitive door gasketing may be reversed to provide wipe-seal rather than compression-seal



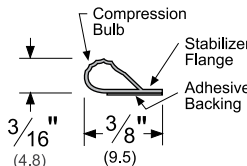
Pressure Sensitive Adhesive



### PK33

AVAILABLE FINISHES: **BL, D, W**  
AVAILABLE LENGTHS: 17', 18', 20', 21', 25', 30', 510'

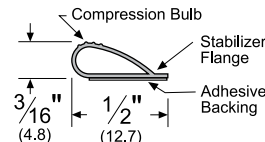
- Designed for tighter frames.
- Demonstrates extremely low closing force.
- Seal begins compressing at  $\frac{3}{16}$ "; compresses to seal up to a  $\frac{1}{4}$ " gap



### PK55

AVAILABLE FINISHES: **BL, D, W**  
AVAILABLE LENGTHS: 17', 18', 20', 21', 25', 30', 510'

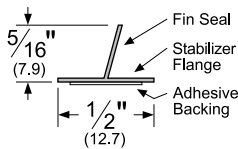
- Designed for tighter frames.
- Demonstrates extremely low closing force.
- Seal begins compressing at  $\frac{3}{16}$ "; compresses to seal up to a  $\frac{1}{4}$ " gap



### S77

AVAILABLE FINISHES: **C, BL, D, W**  
AVAILABLE LENGTHS: 17', 18', 20', 21', 25', 30'

- Designed for hollow metal and wood meeting stile applications.
- Seal begins compressing at  $\frac{5}{16}$ "; compresses to seal up to a  $\frac{1}{4}$ " gap

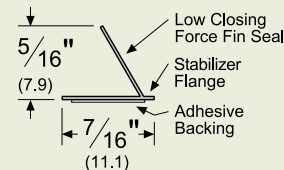


### MicroShield® Antimicrobial Gasketing

**NEW!**

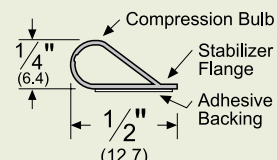
#### AM44

AVAILABLE FINISHES: **BL, C, D, W**  
AVAILABLE LENGTHS: 17', 18', 20', 21', 25', 30', 510'



#### AM88

AVAILABLE FINISHES: **BL, C, D, W**  
AVAILABLE LENGTHS: 17', 18', 20', 21', 25', 30', 510'



#### NOTES FOR ALL ADHESIVE GASKETING:

Storage and shelf life: All adhesive gaskets have a limited shelf life. This product must be installed within 6 months of purchase and must be stored between 50°F and 100°F. For further notes/details, please see Adhesive Gasketing section.

NOTE: Products shown in this section may not be drawn to scale.

AVAILABLE FINISHES FOR PRODUCTS SHOWN ON THIS PAGE (see General Information section for finish chart)  
Adhesive Gasketing Colors: **BL** (Black) **C** (Clear) **D** (Dark Brown) **GR** (Light Gray) **TAN** (Tan) **W** (White)

## Interlock Weatherstrip For Wood Doors

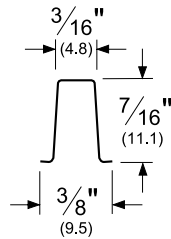
- Fasteners available at additional cost

### Liner Strip

- Made from .008" spring bronze (B)

#### **\_30**

AVAILABLE FINISH: B  
AVAILABLE LENGTHS: 96"

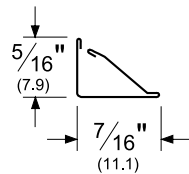


### Lock Strip

- Made from .008" spring bronze (B)

#### **\_331**

AVAILABLE FINISH: B  
AVAILABLE LENGTHS: 6", 96"

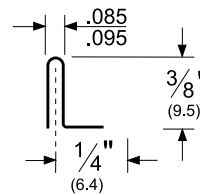


### "L" Metal

- Bronze or zinc-plated wafer head drive screws available for **\_41M** (sold separately)

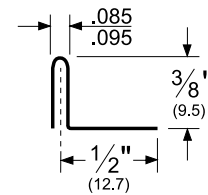
#### **\_41M**

AVAILABLE FINISHES: B, Z  
AVAILABLE LENGTHS: 96"



#### **\_43**

AVAILABLE FINISH: B  
AVAILABLE LENGTHS: 96"



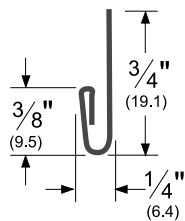
## Interlock Weatherstrip For Wood Windows

### Flat Hooks

- \_10** Flat hooks are made from .026" spring bronze (B) or .0172" galvanized steel (Z)
- \_11** Flat hooks are made from .015" spring bronze (B) or .0172" galvanized steel (Z)

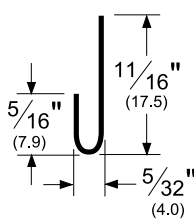
#### **\_10**

AVAILABLE FINISHES: B, Z  
AVAILABLE LENGTHS: 96"



#### **\_11**

AVAILABLE FINISHES: B, Z  
AVAILABLE LENGTHS: 96"

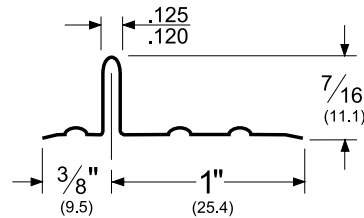


### Corrugated Rib Strips

- Corrugated rib strips are made from .015" spring bronze (B) or .0172" galvanized steel (Z)
- \_4C** and **\_6C** are only available in 96" lengths

#### **\_4C (1 3/8" width)**

AVAILABLE FINISHES: B, Z



#### **\_6C (1 7/8" width)**

AVAILABLE FINISH: Z

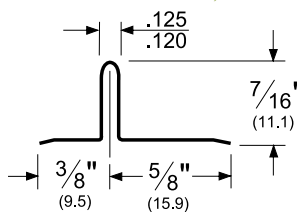
**\_4C** (1-3/8" width) shown above; also available in **\_6C** (1-7/8" width) in galvanized steel (Z) only

### Plain Rib Strips

- Plain rib strips are made from .015" spring bronze (B) or .0172" galvanized steel (Z)

#### **\_2P (1" width)**

AVAILABLE FINISHES: B, Z



#### **\_4P (1-3/8" width)**

AVAILABLE FINISHES: B, Z

**\_2P** (1" width) shown above; also available in **\_4P** (1-3/8" width).  
**\_2P** and **\_4P** available in 96" lengths only

NOTE: Products shown in this section may not be drawn to scale.

AVAILABLE FINISHES FOR PRODUCTS SHOWN ON THIS PAGE (see General Information section for finish chart)  
B (Bronze) Z (galvanized steel)

## Cushion/Spring Weatherstrip for Wood or Metal Doors and Windows

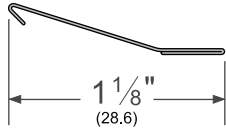
### Spring Bronze - Wood Doors/Windows

- Spring bronze weatherstrip fits wood doors and wood casement windows

- Made from .008" hemmed spring bronze/brass (B)
- Nails should be approximately 1½" on center (sold separately)

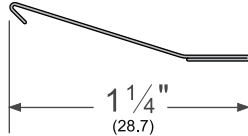
#### \_70C-100

AVAILABLE FINISH: **B**  
AVAILABLE LENGTHS: 100'



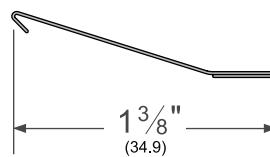
#### \_70D-100

AVAILABLE FINISH: **B**  
AVAILABLE LENGTHS: 100'



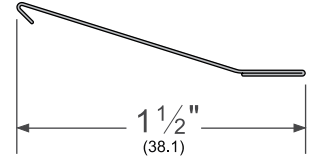
#### \_70E-100

AVAILABLE FINISH: **B**  
AVAILABLE LENGTHS: 100'



#### \_70F-100

AVAILABLE FINISH: **B**  
AVAILABLE LENGTHS: 100'



### P51B17

P51B17 is 17 feet of \_70C  
Packaged with nails

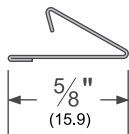
### Cushion ("V") - Wood or Metal Doors

- Cushion weatherstrip fits wood or metal doors
- Made from .008" hemmed spring bronze/brass (B)

- Nails should be approximately 3" on center (sold separately)

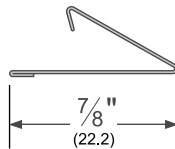
#### \_73

AVAILABLE FINISH: **B**  
AVAILABLE LENGTHS: 96"



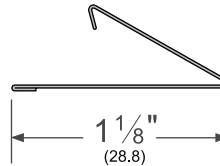
#### \_74

AVAILABLE FINISH: **B**  
AVAILABLE LENGTHS: 96"



#### \_75

AVAILABLE FINISH: **B**  
AVAILABLE LENGTHS: 96"

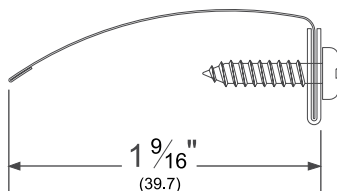


### Spring Bronze - Metal Doors

- Spring bronze for metal doors may also be used as a meeting stile
- Made from .08" hemmed spring bronze/brass (B)
- .015" brass (B) retainer

#### \_71

AVAILABLE FINISHES: **B**  
AVAILABLE LENGTHS: 96"



### Fasteners for Cushion, Spring and Interlock Weatherstrip

- Fasteners for cushion, spring, and interlock weatherstrip are sold separately unless otherwise specified

#### NL1678\_

AVAILABLE FINISHES: **BL, BP, Z**  
For Wood: #16 x 7/8" flat head nail



#### NL1634\_

AVAILABLE FINISHES: **BB, SS**  
For Wood: #16 x 3/4" flat head nail



#### NL13516\_

AVAILABLE FINISHES: **BP, Z**  
For Metal: #13 x 5/16" wafer head drive screw



NOTE: Products shown in this section may not be drawn to scale.

AVAILABLE FINISHES FOR PRODUCTS SHOWN ON THIS PAGE (see General Information section for finish chart)  
**B** (Bronze) **BB** (Solid Brass) **BL** (Black) **BP** (Brass Plate) **SS** (Stainless Steel) **Z** (Zinc)



## ADHESIVE GASKETING

---

### CONTENTS:

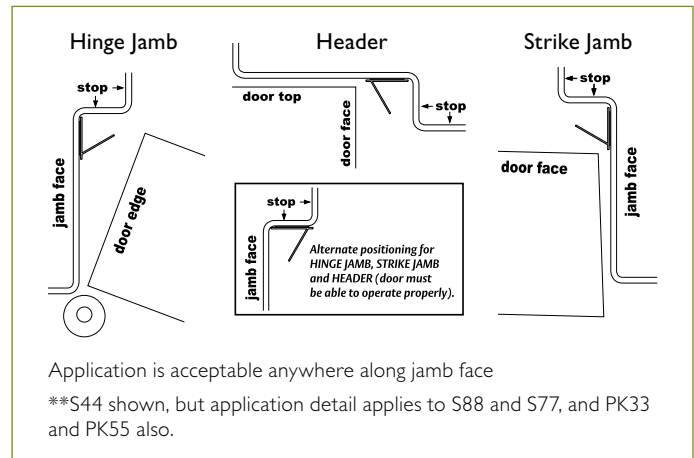
|  |           |
|--|-----------|
| SiliconSeal Adhesive-Backed Fire/Smoke Gasketing.....          | AG-2-AG-3 |
| PemkoPrene Adhesive-Backed Fire/Smoke Gasketing.....           | AG-3      |
| MicroShield® Antimicrobial Gasketing.....                      | AG-4      |
| Hot Smoke Seal/SiliconSeal Combination Fire/Smoke Sealing..... | AG-4      |

### INDEX:

| <u>PRODUCT</u>   | <u>PAGE</u> | <u>PRODUCT</u> | <u>PAGE</u> | <u>PRODUCT</u> | <u>PAGE</u> |
|------------------|-------------|----------------|-------------|----------------|-------------|
| AM44.....        | AG-4        | PK33.....      | AG-2        | S771.....      | AG-3        |
| AM88.....        | AG-4        | PK55.....      | AG-2        | S771x6.....    | AG-3        |
| HSS1000.....     | AG-4        | S44.....       | AG-2        | S772.....      | AG-3        |
| HSS2000.....     | AG-4        | S44x2.....     | AG-2        | S773.....      | AG-3        |
| HSS2000xS44..... | AG-4        | S77.....       | AG-2        | S776.....      | AG-3        |
| HSS2000xS88..... | AG-4        | S88.....       | AG-2        |                |             |

## SiliconSeal Adhesive-Backed Fire/Smoke Gasketing

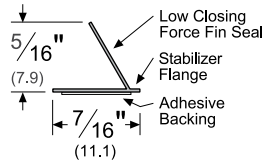
- SiliconSeal is extruded from high-temperature silicone; effective between -58°F and 450°F
- Self-extinguishing and non-toxic; unaffected by sunlight, ozone, and ultraviolet rays
- Impervious to fungus and mildew; will not deteriorate under normal exposure
- Meets **FAR 25.853 Airworthiness Standards for Compartment Interiors**



### S44\_

AVAILABLE FINISHES: **BL, C, D, GR, W**  
AVAILABLE LENGTHS: 17', 18', 20', 21', 25', 30', 510'

- Designed for tighter frames
- Demonstrates extremely low closing force
- Seal begins compressing at  $\frac{5}{16}$ "; compresses to seal up to a  $\frac{1}{16}$ " gap

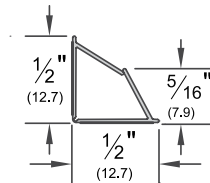


### S44x2\_

**NEW!**

AVAILABLE FINISHES: **BL, D, GR, W**  
AVAILABLE LENGTHS: 17', 18', 20', 21', 25', 30', 510'

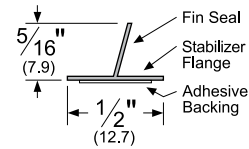
- Fits flush into corner
- Seal begins compressing at  $\frac{5}{16}$ "; compresses to seal up to a  $\frac{1}{16}$ " gap in either direction



### S77\_

AVAILABLE FINISHES: **BL, C, D, W**  
AVAILABLE LENGTHS: 17', 18', 20', 21', 25', 30'

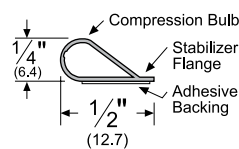
- Designed for hollow metal and wood meeting stile applications
- Seal begins compressing at  $\frac{5}{16}$ "; compresses to seal up to a  $\frac{1}{16}$ " gap



### S88\_

AVAILABLE FINISHES: **BL, C, D, GR, TAN, W**  
AVAILABLE LENGTHS: 17', 18', 20', 21', 25', 30', 204', 510'

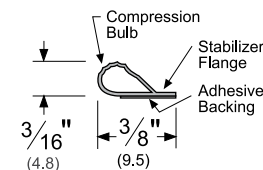
- Seal begins compressing at  $\frac{1}{4}$ "; compresses to seal up to a  $\frac{1}{16}$ " gap



### PK33\_

AVAILABLE FINISHES: **BL, D, W**  
AVAILABLE LENGTHS: 17', 18', 20', 21', 25', 30', 510'

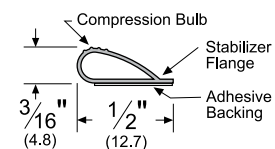
- Designed for tighter frames
- Demonstrates extremely low closing force
- Seal begins compressing at  $\frac{3}{16}$ "; compresses to seal up to a  $\frac{1}{16}$ " gap



### PK55\_

AVAILABLE FINISHES: **BL, D, W**  
AVAILABLE LENGTHS: 17', 18', 20', 21', 25', 30', 510'

- Designed for tighter frames
- Demonstrates extremely low closing force
- Seal begins compressing at  $\frac{3}{16}$ "; compresses to seal up to a  $\frac{1}{16}$ " gap



AVAILABLE FINISHES FOR PRODUCTS SHOWN ON THIS PAGE (see General Information section for finish chart)  
**BL** (Black) **C** (Clear) **D** (Dark Brown) **GR** (Light Gray) **TAN** (Tan) **W** (White)

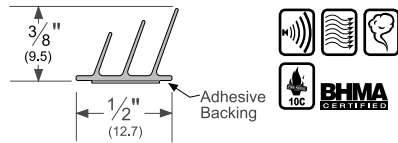


## SiliconSeal Adhesive-Backed Fire/Smoke Gasketing (Cont.)

### S773\_

AVAILABLE FINISHES: **BL, D, GR, W**  
AVAILABLE LENGTHS: 17', 18', 20', 21', 25', 30', 250'

- Triple-fin design effectively blocks light and sound from infiltrating a room

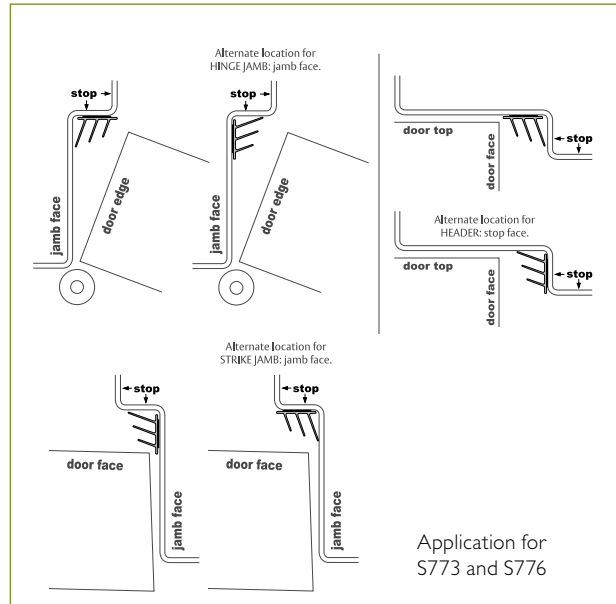
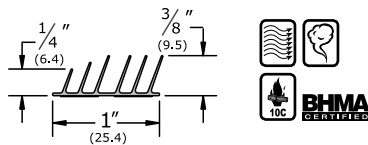


### S776\_

AVAILABLE FINISHES: **BL**  
AVAILABLE LENGTHS: 17', 18', 20', 21'

**NEW!**

- Designed for hollow metal and wood meeting stile applications
- Seal begins compressing at 3/8"; compresses to seal up to a 1/16" gap



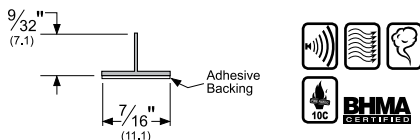
Application for S773 and S776

## PemkoPrene Adhesive-Backed Fire/Smoke Gasketing

- Excellent resistance to compression set, particularly at elevated temperatures and for extended periods of time
- Outstanding ozone resistance rating
- Smoke tested in accordance with **UL1784-01**; meets the requirements of **NFPA 105** "Standard for the Installation of Smoke Door Assemblies and Other Opening Protectives"

### S771\_

AVAILABLE FINISHES: **BL, C, D, GR, W**  
AVAILABLE LENGTHS: 7', 8', 9', 10'

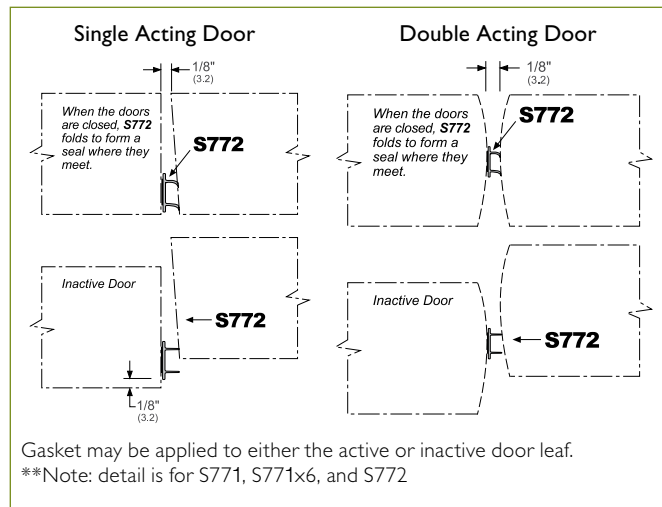
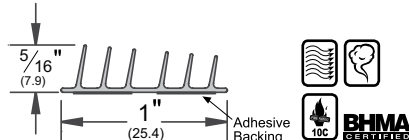


### S771x6\_

**NEW!**

AVAILABLE FINISHES: **BL, C**  
AVAILABLE LENGTHS: 7, 8, 10, 17, 18, 20, 21, 25

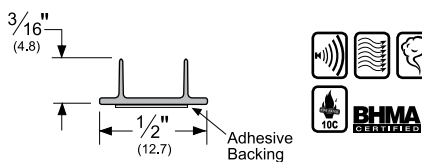
- Designed for hollow metal and wood meeting stile applications
- Seal begins compressing at 5/16"; compresses to seal up to a 1/16" gap



Gasket may be applied to either the active or inactive door leaf.  
\*\*Note: detail is for S771, S771x6, and S772

### S772\_

AVAILABLE FINISHES: **BL, C, D, GR, W**  
AVAILABLE LENGTHS: 7', 8', 10'



AVAILABLE FINISHES FOR PRODUCTS SHOWN ON THIS PAGE (see General Information section for finish chart)  
**BL** (Black) **C** (Clear) **D** (Dark Brown) **GR** (Light Gray) **W** (White)

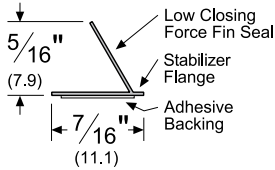
## MicroShield® Antimicrobial Gasketing:

**NEW!**

- Extruded from high-temperature silicone with MicroShield®, a silver-based antimicrobial additive
- Effective between -58°F and 450°F
- Adhesive Backed
- Self-extinguishing and non-toxic
- Unaffected by sunlight, ozone and ultraviolet rays
- Exceeds the requirements for Antimicrobial Test JIS-Z-2801

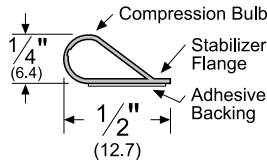
### AM44\_

AVAILABLE FINISHES: BL, C, D, W  
AVAILABLE LENGTHS: 17', 18', 20', 21', 25', 30', 510'



### AM88\_

AVAILABLE FINISHES: BL, C, D, W  
AVAILABLE LENGTHS: 17', 18', 20', 21', 25', 30', 510'



**MicroShield®**  
As part of their promise to provide innovative solutions to their customers, certain ASSA ABLOY Group brands offer the MicroShield® technology, a silver-based antimicrobial additive designed to inhibit the growth of bacteria.

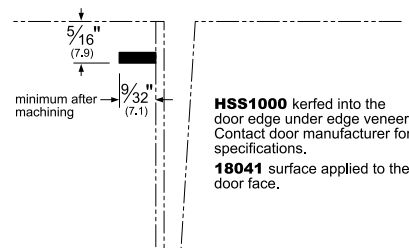
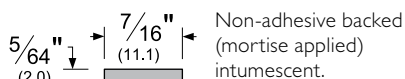
MicroShield® is a registered trademark of Yale Security Inc., an ASSA ABLOY Group company.

## Hot Smoke Seal/SiliconSeal Combination Fire/Smoke Sealing

- Chemically inert, highly stable, expandable graphite strip
- Tested and proven in positive pressure conditions to withstand both hot smoke and hot gasses, resulting in longer integrity of the door assembly
- More economical to use than specially modified doors in "tested assembly only" classifications
- Hot Smoke Seal can be painted to blend in with the finish of a frame
- Will not degrade from carbon dioxide and ozone like many competitive intumescences from other manufacturers
- Unaffected by moisture and will not break down like fiber-based or cellulose-based products

### HSS1000\_

AVAILABLE FINISHES: Graphite (no finish code), W  
AVAILABLE LENGTHS: 7', 8', 10', 18', 21', 24'



**HSS1000** kerfed into the door edge under edge veneer. Contact door manufacturer for specifications.  
**18041** surface applied to the door face.

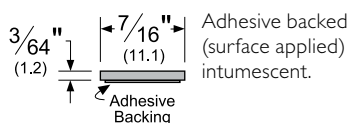
### Notes For All Adhesive Gasketing:

**Storage and shelf life:** All adhesive gaskets have a limited shelf life. This product must be installed within 6 months of purchase and must be stored between 50°F and 100°F.

**Before installing:** Thoroughly clean the frame to remove grease, dust or cleanser build-up (cleansing towelettes are included with product). Painted frame surface must be completely dry. Some hospital environments have wax or anti-bacterial cleanser build-up. As an alternative or substitute cleanser, use isopropyl (rubbing) alcohol. Note: Mineral spirits or other petroleum based cleaning products should NOT be used.

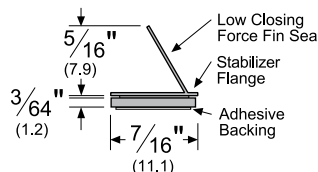
### HSS2000\_

AVAILABLE FINISHES: Graphite (no finish code), W  
AVAILABLE LENGTHS: 7', 8', 10', 18', 21', 24'



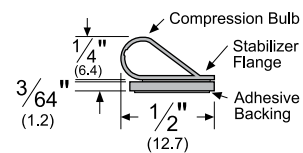
### HSS2000xS44\_

AVAILABLE FINISHES: BL, C, D, GR, W  
AVAILABLE LENGTHS: 18', 20', 21', 24'  
20' lengths can be supplied in 4-0 x 8-0 or 6-0 x 7-0. Specify when ordering



### HSS2000xS88\_

AVAILABLE FINISHES: BL, C, D, GR, TAN, W  
AVAILABLE LENGTHS: 18', 20', 21', 24'  
20' lengths can be supplied in 4-0 x 8-0 or 6-0 x 7-0. Specify when ordering



AVAILABLE FINISHES FOR PRODUCTS SHOWN ON THIS PAGE (see General Information section for finish chart)  
BL (Black) C (Clear) D (Dark Brown) GR (Light Gray) TAN (Tan) W (White)

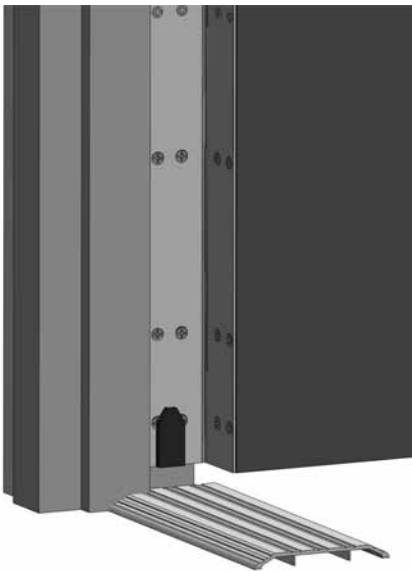
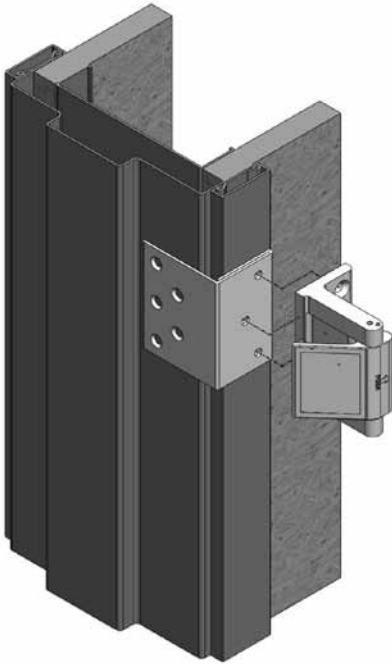
# SPECIALIZED PRODUCTS

## CONTENTS:

Privacy Door Latch..... SP-2  
 Privacy Door Latch Bracket..... SP-2  
 Privacy Door Latch Decals..... SP-3  
 Acoustic Adhesive Corner Pads..... SP-3  
 Heavy Duty Door Bumper ..... SP-3  
 Power Transfers..... SP-4

## INDEX:

| <u>PRODUCT</u> | <u>PAGE</u> | <u>PRODUCT</u>  | <u>PAGE</u> | <u>PRODUCT</u> | <u>PAGE</u> |
|----------------|-------------|-----------------|-------------|----------------|-------------|
| ACP112 .....   | SP-3        | EL-EPT-SC ..... | SP-4        | PDLBRKT .....  | SP-2        |
| E199 .....     | SP-3        | EL-EPTL .....   | SP-4        | PDL-D1 .....   | SP-3        |
| EL-CEPT .....  | SP-4        | I96 .....       | SP-3        | PDL-D2 .....   | SP-3        |
| EL-EPT .....   | SP-4        | PDL .....       | SP-2        |                |             |



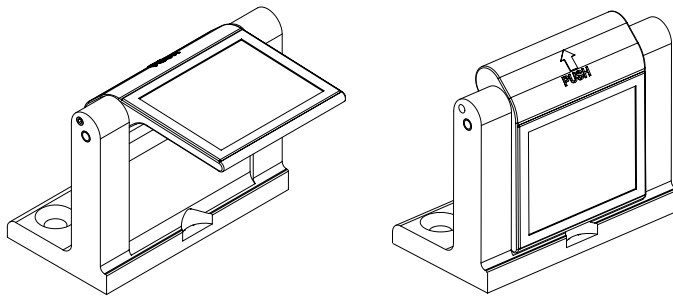
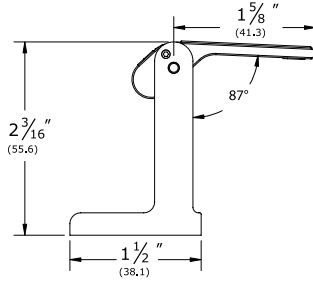
## Privacy Door Latch

- Easy to install, simple to operate
- ADA Compliant
- Enhances room privacy
- UL classified as a fire door accessory

### PDL\_

AVAILABLE COLORS:

- US26 Bright Chrome
- US26D/15 Dull Chrome/Satin Nickel
- US3 Bright Brass
- US4 Dull Brass
- US10B Dark Bronze

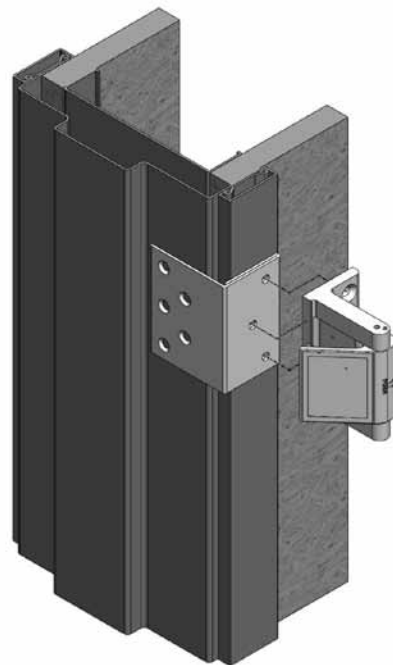
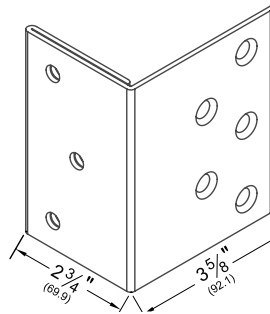


## Privacy Door Latch Bracket

- Designed for Timely or Redi-Frame frames with snap on trim
- Bracket allows PDL to be installed in the correct position for proper operation

### PDLBRKT\_

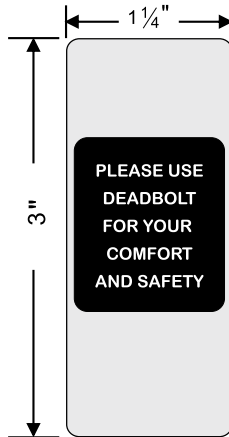
AVAILABLE COLORS:  
Off White



## Privacy Door Latch Decals

- Used to cover holes left on door and frame from old style door latch. Per NFPA80 holes must first be filled with like material in order to maintain the fire opening rating
- Made from stable, mar-resistant plastic
- Sub-surface screen printing so verbiage will not be affected by gentle cleaning/dusting

**PDL-D1**



**PDL-D2**

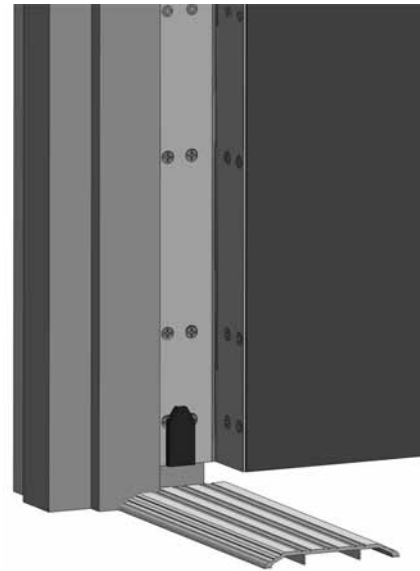
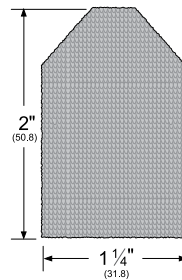


## Acoustic Adhesive Corner Pads

- Corner pad with black or white polypropylene pile, with pressure-sensitive adhesive
- Apply to corner of jamb on hinge side to seal against air and light infiltration

**ACP112\_**

AVAILABLE COLORS:  
BL, W



## Heavy Duty Door Bumper

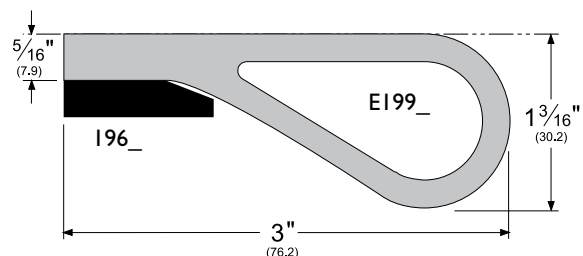
- Heavy duty door bumper extruded from black EPDM (E)
- Order 196\_ separately (see page CT-24); furnished undrilled unless requested otherwise

**E199\_**



**196\_**

AVAILABLE COLORS: A



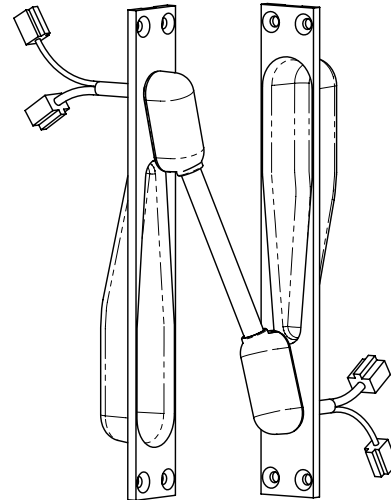
## Power Transfers

- These Securitron electronic power transfer units fit into doors and frames to transfer power from your power supply to the door-mounted electronic device
- Contact your hinge manufacturer for cutout availability

### EL-CEPT

AVAILABLE COLORS:  
US32D, US10B

- Mortises into the edges of the door and frame
- Tamper-resistant; no exposed openings
- All metal construction, including backboxes
- 7/8" knockouts on back boxes to accommodate EMF-type fitting
- 12-wire configuration with ElectroLynx compatible connectors
- Tested to 1,000,000 cycles
- Will not work on center-hung or balanced doors
- Works with most continuous hinges, up to 6" wide
- UL10B and UL10C listed



### EL-EPT

AVAILABLE COLORS:  
US2C

- Installs in the door and frame edges
- Flexible steel shield protects wires—3/8" (9.5mm) I.D.
- New universal device; works with most butt and continuous hinges up to 105-degrees of opening
- Not for use with center pivot doors or with pivot hinges with offset greater than 3/4"
- UL634, UL10B, UL10C Listed
- ANSI A250.13-2003—Windstorm Resistant



### EL-EPTL

AVAILABLE COLORS:  
US2C

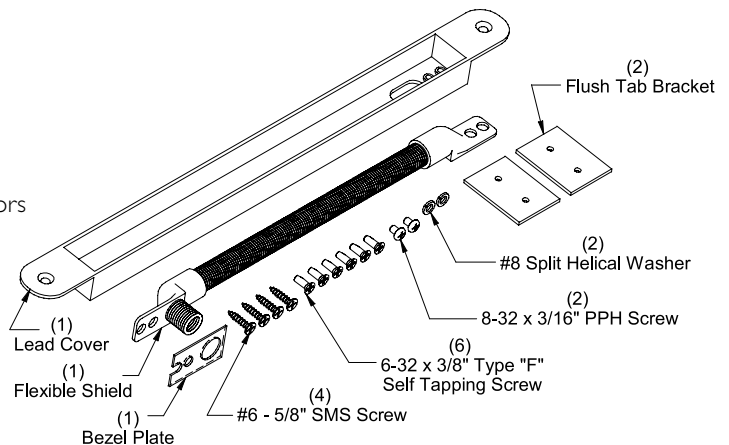
- Installs in the door and frame edges
- Flexible steel shield protects wires—3/8" (9.5mm) I.D.
- New universal device; works with most butt and continuous hinges up to 180-degrees of opening
- Not for use with center pivot doors or with pivot hinges with offset greater than 3/4"
- UL634, UL10B, UL10C Listed
- ANSI A250.13-2003—Windstorm Resistant



### EL-EPT-SC

AVAILABLE COLORS:  
US2C

- Installs in the door and frame edges
- Flexible steel shield protects wires—3/8" (9.5mm) I.D.
- New universal device; works with most butt and continuous hinges
- Functions on off-set pivot and swing clear hinged doors
- UL634, UL10B, UL10C Listed
- ANSI A250.13-2003—Windstorm Resistant



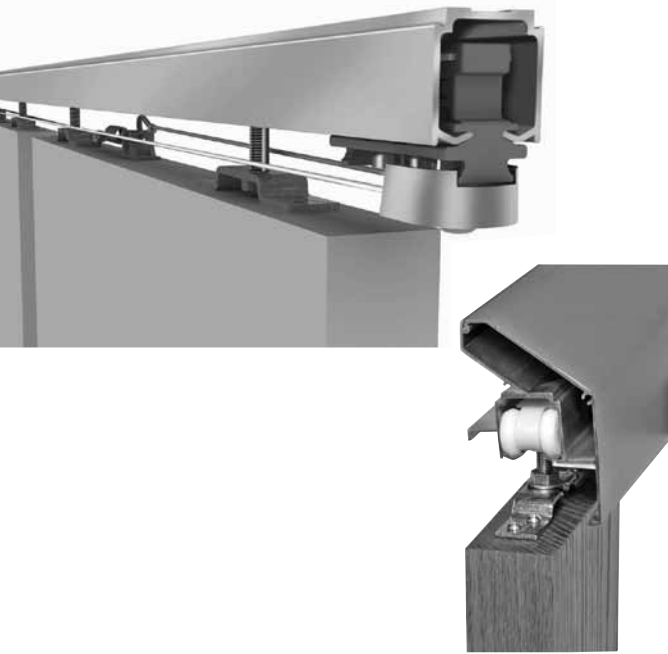
# SLIDING & FOLDING HARDWARE

Sliding & Folding Hardware allows space previously required for swing clearance can now be better utilized for decor or to give a more open feel.

PEMKO is the North American distributor for sliding and folding door hardware manufactured by P.C. Henderson. PEMKO has created hardware solution kits with all the components needed to complete a project, except for the actual door. The warranty on P.C. Henderson products is 2 years.

PEMKO also provides several solution kits of its own including the Pocket Frame Kit, Side Wall Track System, and Bypass Track System. The warranty on PEMKO manufactured products is 5 years.

Select your solution kit based on the door weight, size, mounting (overhead or side wall), sliding or folding, and any special characteristics of the particular opening such as the need for a low profile system. Kits are offered for doors weighing 180 lbs up to 1100 lbs.



## CONTENTS:

|   |       |
|---|-------|
| H180A Series .....                      | SF-2  |
| SHS80 Series .....                      | SF-3  |
| Sliding 200 Series .....                | SF-4  |
| Side Wall Track System .....            | SF-5  |
| Bypass Track Series .....               | SF-6  |
| SIM200A Series .....                    | SF-7  |
| LP200 Series .....                      | SF-8  |
| Sirocco Series .....                    | SF-9  |
| H300S-OH Series .....                   | SF-10 |
| H300S-SW Series .....                   | SF-11 |
| H440A-OH Series .....                   | SF-12 |
| H440A-SW Series .....                   | SF-13 |
| H600S-OH Series .....                   | SF-14 |
| H600S-SW Series .....                   | SF-15 |
| H800S-OH Series .....                   | SF-16 |
| H800S-SW Series .....                   | SF-17 |
| H1100A-OH Series .....                  | SF-18 |
| H1100A-SW Series .....                  | SF-19 |
| Sliding Glass Series .....              | SF-20 |
| Pocket Frame Kit .....                  | SF-21 |
| Folding 100 Series .....                | SF-22 |
| Pacer Interior End Fold Series .....    | SF-23 |
| Flexirol Interior End Fold Series ..... | SF-24 |
| Options & Accessories .....             | SF-25 |

## INDEX:

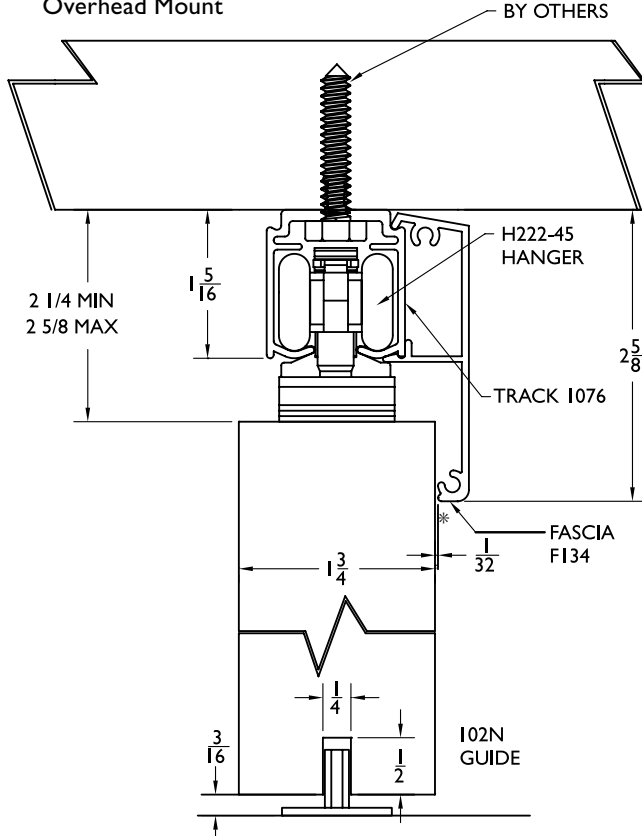
| PRODUCT         | PAGE  | PRODUCT           | PAGE                                 | PRODUCT             | PAGE   | PRODUCT             | PAGE              | PRODUCT         | PAGE  |
|-----------------|---|-------------------|--------------------------------------|---------------------|--|---------------------|-------------------|-----------------|-------|
| 280 .....       | SF 4  | 1A/301/EC .....   | SF-14 SF-17                          | 403/2 .....         | SF-23, SF-24   | F200C .....         | SF-13             | LH100 .....     | SF-8  |
| 281 .....       | SF-3, SF-4, SF 7, SF-20, SF-22              | 1A/550 .....      | SF-19                                | 550A .....          | SF-18, SF-19, SF-24  | F200ECP .....       | SF-13             | LP200A .....    | SF-8  |
| 283 .....       | SF-22                                       | 1B .....          | SF-13                                | 556/21 .....        | SF-24  | FIF2/275A .....     | SF-24             | PF134 KIT ..... | SF-21 |
| 284 .....       | SF-4 SF-7                                   | 21/550/P .....    | SF-24                                | 556/57 .....        | SF-18, SF-19   | H100/200 Pack ..... | SF-4 SF-6         | PF28200A .....  | SF-21 |
| 286 .....       | SF-4 SF-6                                   | 21B/P .....       | SF-23                                | 57A/N .....         | SF-16, SF-27   | H1100A-OH .....     | SF 18             | PFAS .....      | SF-21 |
| 290 .....       | SF-10, SF-11                                | 21BO/4 .....      | SF-23                                | 57A/S .....         | SF-14, SF-15   | H1100A-SW .....     | SF-19             | PFAS100 .....   | SF-21 |
| 301 .....       | SF-14 SF-17                                 | 21N/94 .....      | SF-23                                | 57B .....           | SF-12, SF-13   | H180A .....         | SF-2              | PFAS88 .....    | SF-21 |
| 608 .....       | SF-20                                       | 21R/94 .....      | SF-24                                | 57K/N .....         | SF-10, SF-11   | H200A .....         | SF-4              | PFBG-4 .....    | SF-21 |
| 610 .....       | SF-20                                       | 280_SWF .....     | SF-5                                 | 600A .....          | SF-12, SF-13, SF-23  | H222-45 .....       | SF-2, SF-3, SF-21 | PFBG-8 .....    | SF-21 |
| 2812 .....      | SF-6  | 280_SWT .....     | SF-5                                 | 601H .....          | SF-3, SF-7, SF-20  | H300S-OH .....      | SF-10             | PFBS .....      | SF-21 |
| 102N .....      | SF-2 SF-8, SF-10 SF-17                      | 2802A .....       | SF-6                                 | 601P .....          | SF 12, SF-13   | H300S-SW .....      | SF-11             | PFCDKIT .....   | SF-21 |
| 102WA .....     | SF-2 SF-7, SF-11, SF-13, SF-17              | 2802BT .....      | SF-6                                 | 8/10/75 HUSKY ..... | SF-20  | H440A-OH .....      | SF-12             | PFFC-8 .....    | SF-21 |
| 102WN .....     | SF-2 SF-5, SF-7, SF-11, SF-13, SF-15, SF-17 | 280A .....        | SF-3, SF-4, SF-7, SF-9, SF-20, SF-22 | 89/2N .....         | SF-10 SF-19  | H440A-SW .....      | SF-13             | PFHB-1 .....    | SF-21 |
| 106HF/94 .....  | SF-22                                       | 280AN .....       | SF 8                                 | 94A .....           | SF-2 SF-8, SF-10 SF-13 SF-19, SF-22 SF 24                                      | H600S-OH .....      | SF-14             | PFHB-2 .....    | SF-21 |
| 106R/94 .....   | SF-3 , SF-8, SF-10 SF-19                    | 280C-SWTKIT ..... | SF-5                                 | 971A .....          | SF-3, SF-4, SF-7, SF-8, SF-10, SF-12, SF-14, SF-16, SF-18, SF-20, SF-22, SF-24 | H600S-SW .....      | SF-15             | PFHS .....      | SF-21 |
| 1075C .....     | SF-2  | 280D-SWTKIT ..... | SF-5                                 | .....               | SF-18, SF-20, SF-22, SF-24   | H800S-OH .....      | SF-16             | PFKIT-4 .....   | SF-21 |
| 1076A .....     | SF-2  | 281A .....        | SF-8                                 | DELLH .....         | SF-9   | H800S-SW .....      | SF-17             | PFKIT-8 .....   | SF-21 |
| 1A/290 .....    | SF-11                                       | 282HD .....       | SF-22                                | DELRH .....         | SF-9   | HBP200A .....       | SF-6              | PIF2/165A ..... | SF-23 |
| 1A/290/EC ..... | SF-10, SF-11                                | 284D .....        | SF-20                                | F134 .....          | SF-6   | HF2/100A .....      | SF-22             | PIF4/165A ..... | SF-23 |
| 1A/301 .....    | SF-15, SF-17                                | 287HD .....       | SF-2, SF-4, SF-6                     | F134C .....         | SF-2 SF-4, SF-7  | HF4/100A .....      | SF-22             | SHS80 .....     | SF-3  |
|                 |   | 289B .....        | SF-22                                | F160 .....          | SF-20  | HH3/290 .....       | SF-10, SF-11      | SIM100 .....    | SF-7  |
|                 |   | 289T .....        | SF-22                                | F160C .....         | SF-12  | HH3/301 .....       | SF-14 SF-19       | SIM200A .....   | SF-7  |
|                 |   | 3A/290 .....      | SF-10                                | F160ECP .....       | SF-12  | K1077C-SWEP .....   | SF-2              | SIRF/2500 ..... | SF-9  |
|                 |   | 3A/301 .....      | SF-14, SF-16                         |                     |  | K134EP .....        | SF-4, SF-7        | SIRLH .....     | SF-9  |
|                 |   |                   |                                      |                     |  | K28_SWEP .....      | SF-5              | SIRRH .....     | SF-9  |

## H180A Series

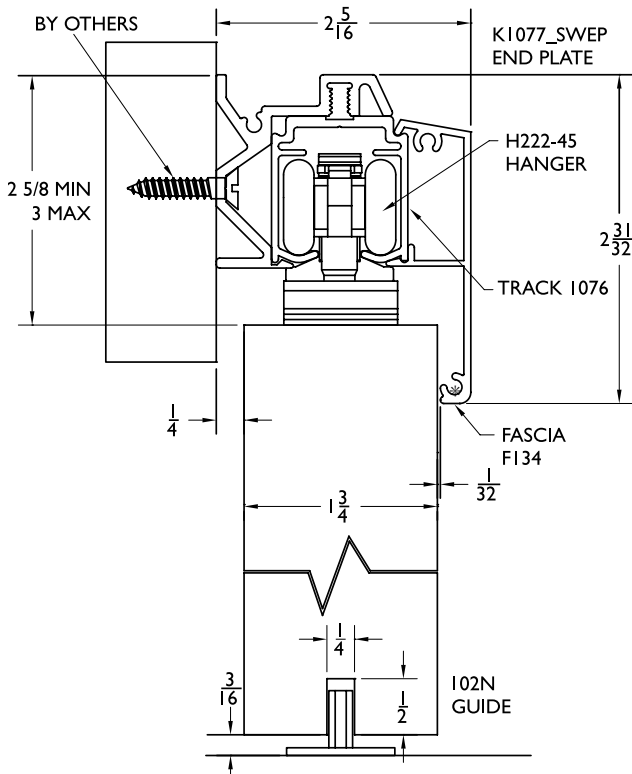
For Sliding Panels up to 180 lbs.

Manufactured by PEMKO

### Overhead Mount



### Side Wall Mount



### Configurations: Installations:

- Single
- Bi-parting
- Overhead Mount
- Side Wall Mount

### Features:

- Hanger body is made of nickel plated zinc alloy for durability and long life
- Zinc alloy ball bearing wheels coated in nylon for smooth operation
- 180 lb. panel capacity
- Optional side wall bracket reduces the amount of wall space needed to mount the track

### H180A Kits Include:

- 1 ea **1076A** Mill Finished Aluminum Track
- 2 ea **H222-45** Hanger - Nickel Plated Zinc Alloy Body  
Zinc Alloy Wheels Coated in Nylon
- 2 ea **287HD** Rubber Bumper In-Track Stop
- 1 ea **102N** White Nylon Mortise Guide

### Standard Kit Sizes

| Part Number     | Material | Track Length | Door Width |
|-----------------|----------|--------------|------------|
| <b>H180A/6</b>  | Aluminum | 72"          | 36"        |
| <b>H180A/8</b>  | Aluminum | 96"          | 48"        |
| <b>H180A/10</b> | Aluminum | 120"         | 60"        |
| <b>H180A/12</b> | Aluminum | 144"         | 72"        |

### Options: See page SF-25

- Fascia **F134C**
- Side Wall Track Bracket **1075C** Clear anodized aluminum bracket- order same length as track
- End Plate Kit **K1077C-SWEP** (Use with F134C Fascia and 1075C Side Wall Bracket only)
- Bottom Channel **94A**
- Roller Guide **106R/94**
- Threshold **971A**
- Side Wall Mount **102WN** (nylon) and **102WA** (steel)
- Mortise Guides

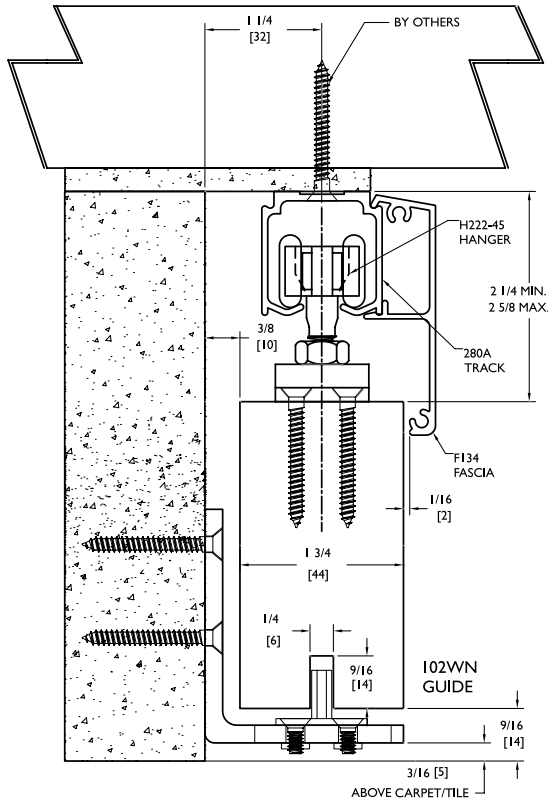
\* When using fascia, offset hanger foot 1/8" closer to fascia face of the door.



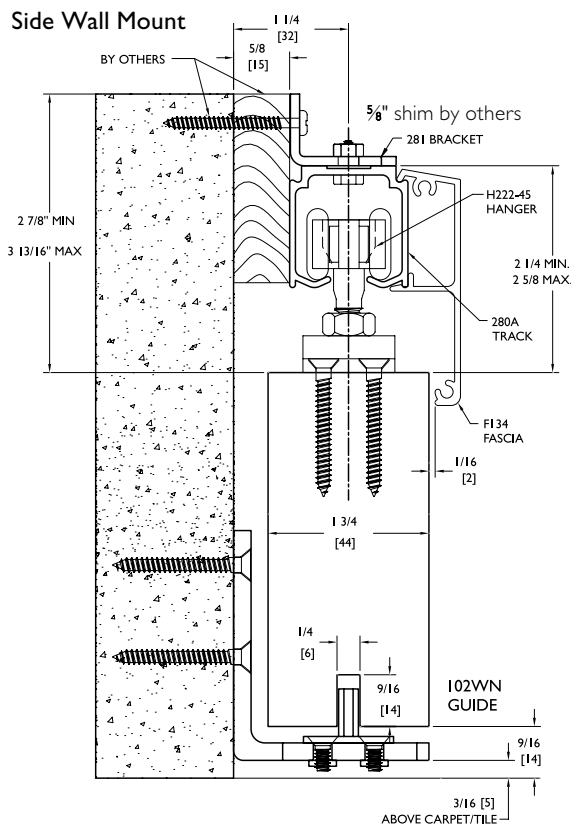
## SHS80 Series

For Sliding Panels up to 180 lbs.  
Manufactured by PEMKO

### Overhead Mount



### Side Wall Mount



### Configurations: Installations:

- Single
- Bi-parting
- Overhead Mount
- Side Wall Mount

### Features:

- Hanger body is made of nickel plated zinc alloy for durability and long life
- Zinc alloy ball bearing wheels coated in nylon for smooth operation
- 180 lb. panel capacity

### SHS80 Kits Include:

- 1 ea 280A Mill Finished Aluminum Track
- 2 ea H222-45 Hanger - Nickel Plated Zinc Alloy Body
- 2 ea 601H Nylon In-Track Clip Stop
- 1 ea 102WN White Nylon Mortise Guide on Zinc Plated Steel "L" Metal

### Standard Kit Sizes

| Part Number | Material | Track Length | Door Width |
|-------------|----------|--------------|------------|
| SHS80/6     | Aluminum | 72"          | 36"        |
| SHS80/8     | Aluminum | 96"          | 48"        |

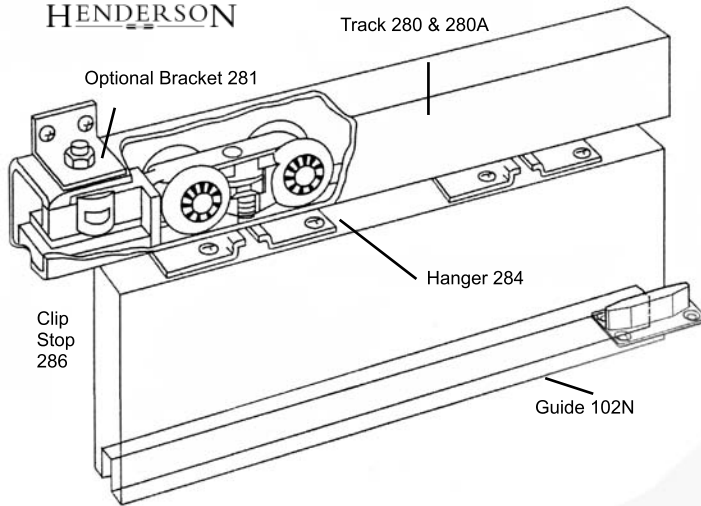
### Options: See page SF-25

- Fascia **F134C**
- Side Wall Track Brackets **281** available as 5 pack only, 2815  
Note: Need one at each end and no more than 3 feet in between.  
Fasteners included
- Bottom Channel **94A**
- Roller Guide **106R/94**
- Threshold **971A**
- Side Wall Mount **102WA**
- Mortise Guides **102N**
- Mortise Floor Guide **102N**

## Sliding 200 Series

For Sliding Panels up to 200 lbs.  
Manufactured by P.C. Henderson

**HENDERSON**



### Configurations: Installations:

- Single
- Bi-parting
- Overhead Mount
- Side Wall Mount
- Face/Face Fixed Mount with Fascia

### Features:

- Needle bearing hangers for smooth operation
- 200 lb. panel capacity
- Galvanized steel track 280
- Aluminum track 280A

### H200A Kits Include:

- 1 ea 280A Aluminum Track
- 2 ea 284 Hangers
- 1 ea 102N Nylon Guide
- 2 ea 286 Stops
- 1 ea Adjusting Wrench and Mounting Hardware

### H200 Kits Include:

- 1 ea 280 Steel Track
- 2 ea 284 Hangers
- 1 ea 102N Nylon Guide
- 2 ea 286 Stops
- 1 ea Adjusting Wrench and Mounting Hardware

### Options: See page SF-25

Hardware Kit  
Mounting Bracket

### H100/200 PACK

281 available as 5 pack only, 2815  
Note: Need one at each end and no more than 3 feet in between.  
Fasteners included

Track Stop (bumper)  
Bottom Channel  
Fascia, Snap-On  
Roller Guide  
Side Wall Mortise Guide  
Threshold  
End Plate

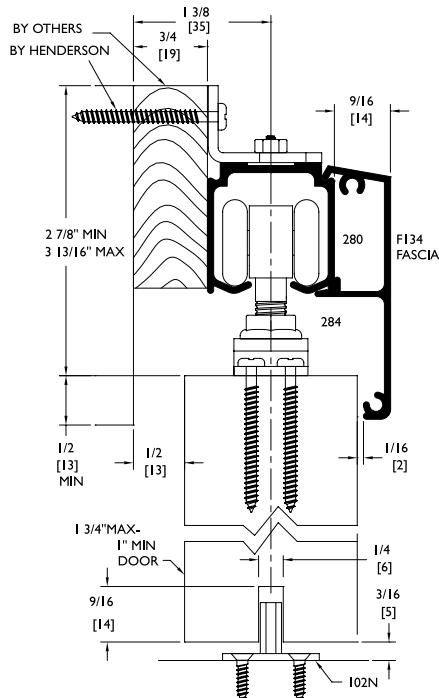
287HD  
94A  
F134C in clear anodized (280A only)  
106R/94  
102WA (steel) and 102WN (nylon)  
971A  
K134EP (Use with F134C and 280A only)

### Standard Kit Sizes

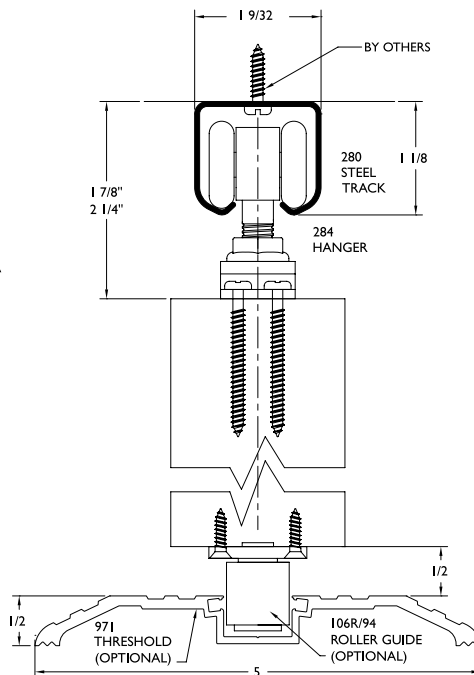
| Part Number | Material | Track Length | Door Width |
|-------------|----------|--------------|------------|
| H200A/4     | Aluminum | 48"          | 24"        |
| H200A/5'4   | Aluminum | 64"          | 32"        |
| H200A/6     | Aluminum | 72"          | 36"        |
| H200A/7     | Aluminum | 84"          | 42"        |
| H200A/8     | Aluminum | 96"          | 48"        |
| H200A/10    | Aluminum | 120"         | 60"        |
| H200A/12    | Aluminum | 144"         | 72"        |
| H200/6      | Steel    | 72"          | 36"        |
| H200/8      | Steel    | 96"          | 48"        |

### 280A Side Wall Mounted

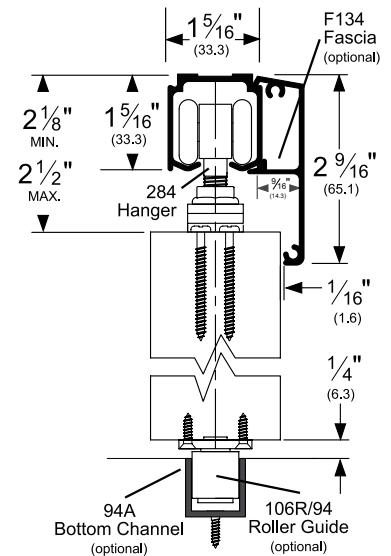
3/4" shim by others



### 280 Overhead Mounted



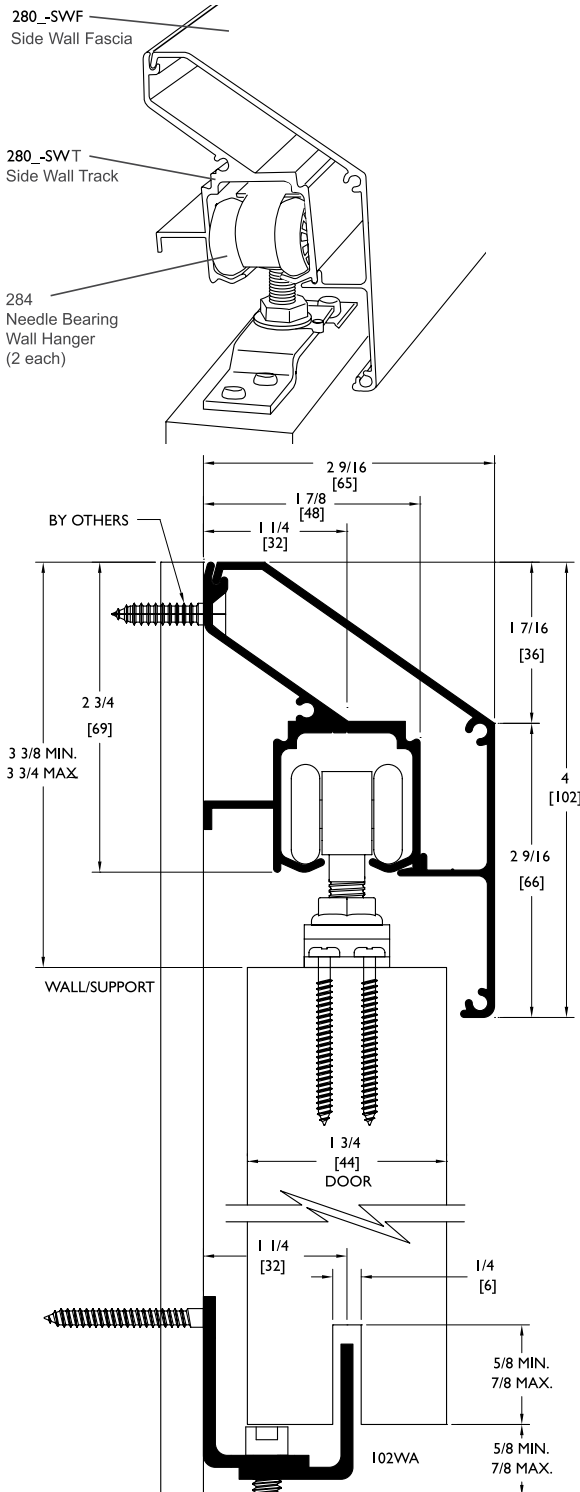
### 280A Soffit Mounted with Fascia



## Side Wall Track (SWT) System

Manufactured by PEMKO

The PEMKO Side Wall Track System has a unique mounting bracket that is extruded with the track. An innovative wall mounted bottom guide assembly allows carpet to be replaced without removing the door.



### Configurations:

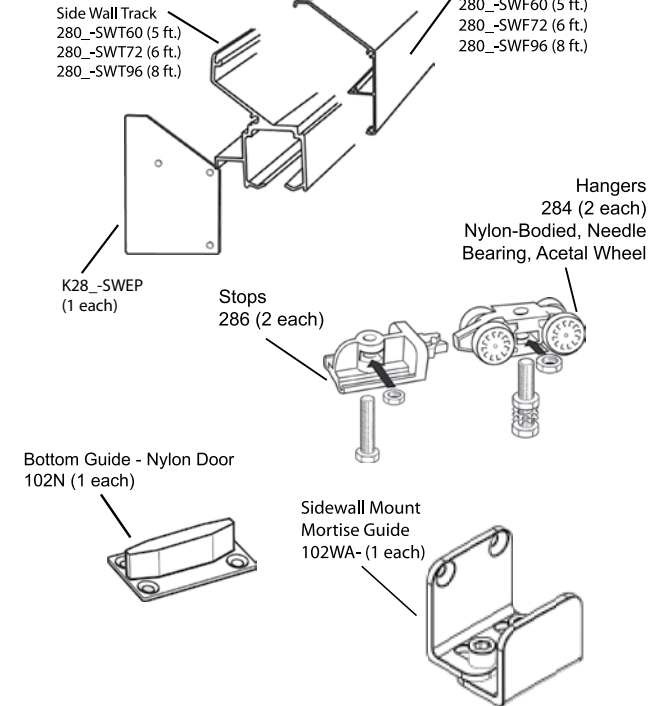
- Single
- Bi-parting

### Features:

- Unique mounting bracket extruded into track
- Supports up to 200 lbs per door
- Quick, easy attachment
- No additional shims needed
- New construction or retrofit

### 280SWT Kits

#### Include:



### Standard Kit Sizes

| Part Number  | Track Length | Door Width |
|--|--------------|------------|
| (Mill Finished Track/Clear Anodized Fascia/End Plates) |              |            |
| <b>280C-SWTKIT/5</b>                                   | 60"          | 30"        |
| <b>280C-SWTKIT/6</b>                                   | 72"          | 36"        |
| <b>280C-SWTKIT/8</b>                                   | 96"          | 48"        |
| <b>280C-SWTKIT/12*</b>                                 | 144"         | 2 @ 36"    |
| (Dark Bronze Anodized Track/Fascia/End Plates)         |              |            |
| <b>280D-SWTKIT/5</b>                                   | 60"          | 30"        |
| <b>280D-SWTKIT/6</b>                                   | 72"          | 36"        |
| <b>280D-SWTKIT/8</b>                                   | 96"          | 48"        |
| <b>280D-SWTKIT/12*</b>                                 | 144"         | 2 @ 36"    |

\*NOTE: 280\_-SWTKIT/12 comes with enough hardware for two doors.

### Options: See page SF-25

- Hardware Kit (one door) **H100/200 pack**
- Roller Guide **106R/94**
- Bottom Channel **94A**
- Nylon Mortise Guide **102WN**

AVAILABLE FINISHES FOR PRODUCTS SHOWN ON THIS PAGE (see General Information section for finish chart)  
A (Mill Finish Aluminum) C (Anodized Aluminum) D (Dark Bronze Anodized)

Copyright © 2012, Pemko Manufacturing Co., an ASSA ABLOY Group company. All rights reserved.  
Reproduction in whole or in part without the express written permission of Pemko Manufacturing Co. is prohibited.

ASSA ABLOY, the global leader  
in door opening solutions

## Bypass Track Series

For Bypass Panels up to 200 lbs.  
Manufactured by PEMKO

- Fits 1 $\frac{3}{8}$ " and 1 $\frac{3}{4}$ " doors
- Needle-bearing wheels for ultra smooth performance
- Load capacity 200 lbs. per door panel (2 hangers)
- Extruded aluminum track

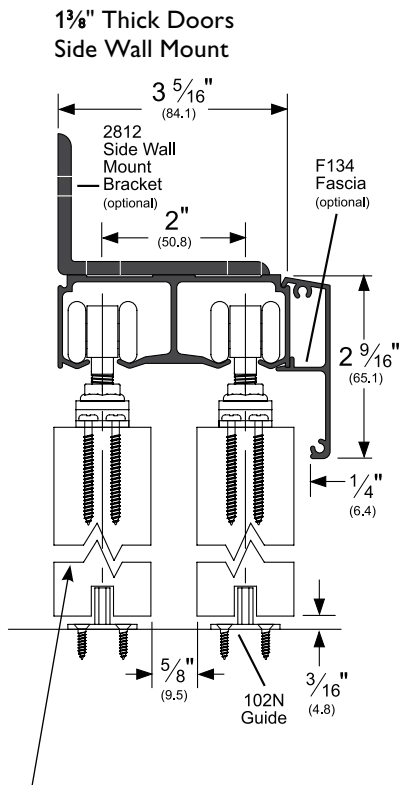
### HBP200A Kits Include:

- 1 ea 2802A Mill Finished Aluminum Track
- 4 ea 284 White Hangers
- 2 ea 102N White Nylon Mortise Guide
- 4 ea 286 Stops
- 1 ea Adjusting Wrench and Mounting Hardware

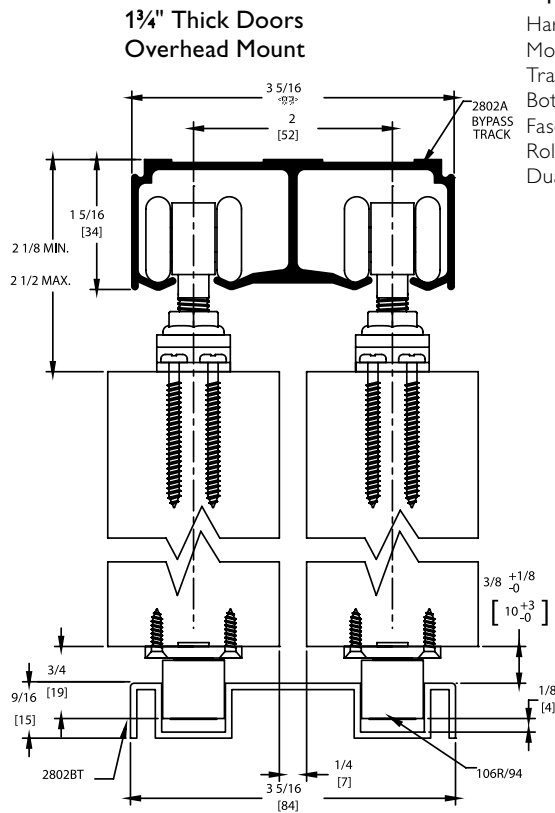


| Standard Kit Sizes |              |            |
|--------------------|--------------|------------|
| Part Number        | Track Length | Door Width |
| HBP200A/4          | 48"          | 2 @ 24"    |
| HBP200A/5'4        | 64"          | 2 @ 32"    |
| HBP200A/6          | 72"          | 2 @ 36"    |
| HBP200A/7          | 84"          | 2 @ 42"    |
| HBP200A/8          | 96"          | 2 @ 48"    |
| HBP200A/10         | 120"         | 2 @ 60"    |
| HBP200A/12         | 144"         | 2 @ 72"    |

\* Side Wall mounting: use one (1) 2812 Kit per 3 ft. of track.



NOTE: Route door  $\frac{3}{16}$ " deep by  $\frac{1}{4}$ " wide to receive 102N Guide.



### Options: See page SF-25

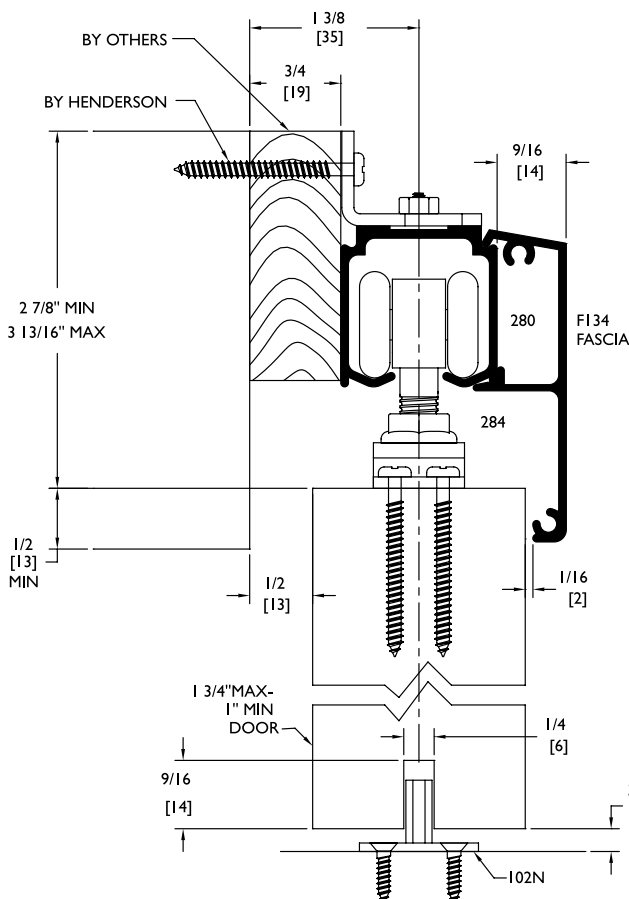
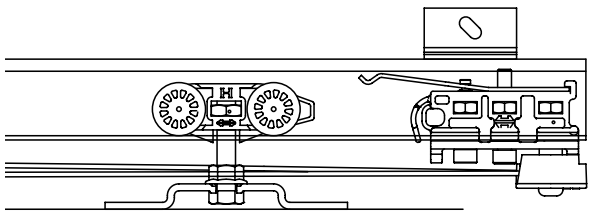
- Hardware Kit H100/200 pack
- Mounting Bracket 2812
- Track Stop (bumper) 287HD
- Bottom Channel 94A
- Fascia, Snap-On F134
- Roller Guide 106R/94
- Dual Guide Channel 2802BT

AVAILABLE FINISHES FOR PRODUCTS SHOWN ON THIS PAGE (see General Information section for finish chart)  
A (Mill Finish Aluminum) C (Clear Anodized)

## SIM200A Series

For Sliding Doors up to 48" wide and 200 lbs.  
Manufactured by P.C. Henderson

**HENDERSON**



Simultaneous Action Unit (SIM) allows the simultaneous operation of two doors.

**Configurations: Installations:**

- Bi-parting
- Overhead Mount
- Side Wall Mount

**Features:**

- Allows individual bi-part doors to act as a single operating unit. When one door is opened or closed, the second door operates simultaneously
- 200 lb. panel capacity
- Needle bearing nylon wheels for smooth operation
- Mill finished aluminum track 280A

**SIM200A Kits Include:**

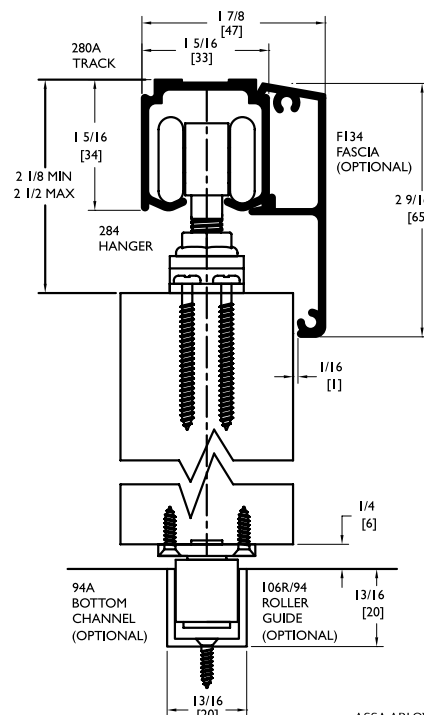
- 1 ea 280A Mill Finished Aluminum Track
- 4 ea 284 White Nylon Hangers
- 4 ea 601H Nylon In-Track Clip Stop
- 2 ea 102N White Nylon Mortise Guide
- 1 ea SIM100 Cable and Pulley Kit

**Standard Kit Sizes**

| Part Number | Material | Track Length | Door Width |
|-------------|----------|--------------|------------|
| SIM200A/6   | Aluminum | 72"          | 2 @ 18"    |
| SIM200A/8   | Aluminum | 96"          | 2 @ 24"    |
| SIM200A/12  | Aluminum | 2 @ 72"      | 2 @ 36"    |
| SIM200A/16  | Aluminum | 2 @ 96"      | 2 @ 48"    |

**Options:** See page SF-25

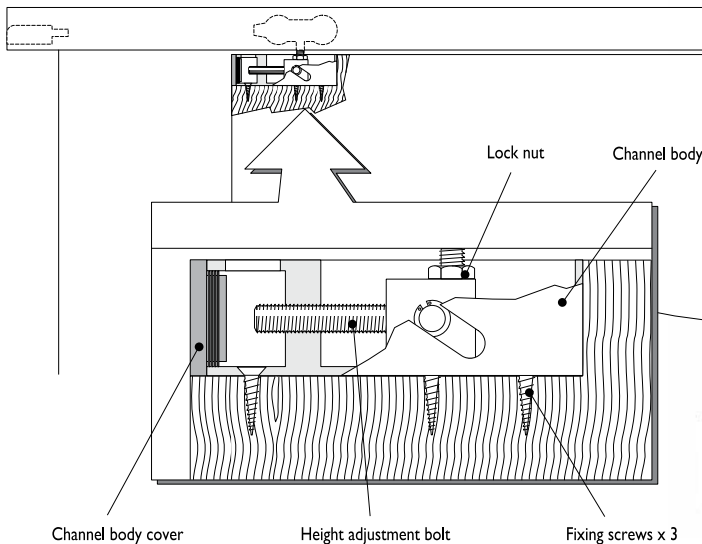
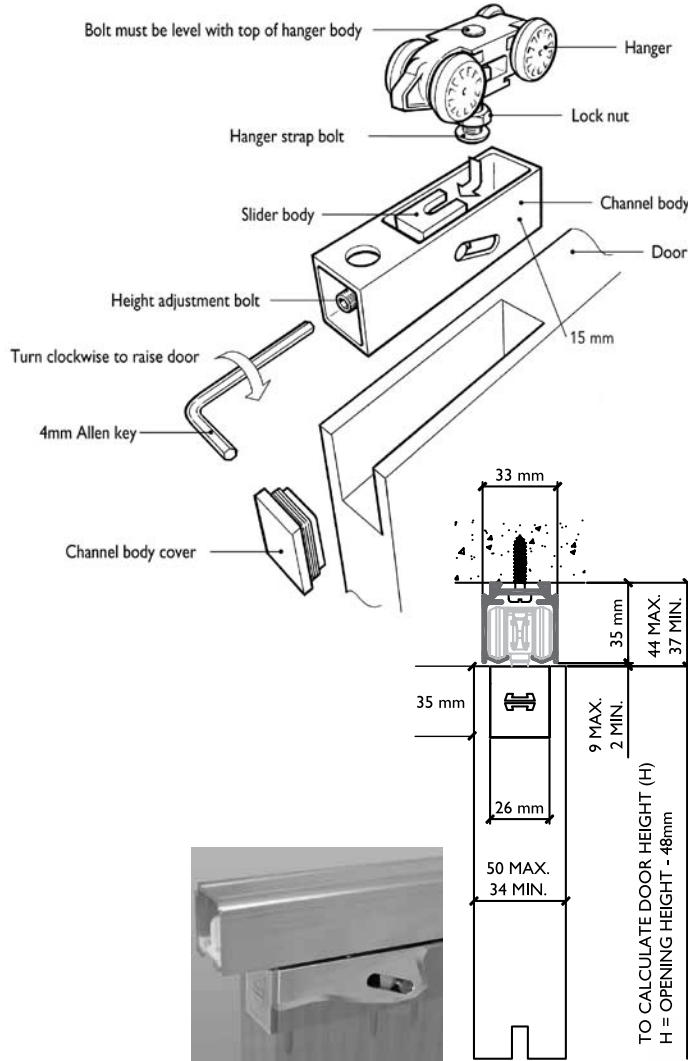
- Fascia **F134C**
- Side Wall Track Brackets **281** available as 5 pack only, 2815  
Note: Need one at each end and no more than 3 feet in between. Fasteners included.
- End Plates **K134EP** (Use with F134C only)
- Bottom Channel **94A**
- Roller Guide **106R/94**
- Threshold **971A**
- Side Wall Mortise Guides **102WN** (nylon) and **102WA** (steel)



## LP200 Series

For Sliding Panels up to 200 lbs.  
Manufactured by P.C. Henderson

**HENDERSON**



Low profile design for use where space is limited.

**Configurations:**    **Installations:**

- Bi-parting
- Single
- Overhead Mount
- Side Wall Mount

**Features:**

- Used to maximize door height
- Designed to give a modern clean finish with all parts concealed. Ideal for applications where minimal clearance between track and door is required
- Easy installation and adjustment
- 200 lb. panel capacity
- Needle bearing nylon wheels for smooth operation
- Mill finished aluminum track 280AN

**LP200A Kits Include:**

- 1 ea 280AN Aluminum Track
- 1 ea LH100 Hardware Kit

**LH100 Hardware Kits Include:**

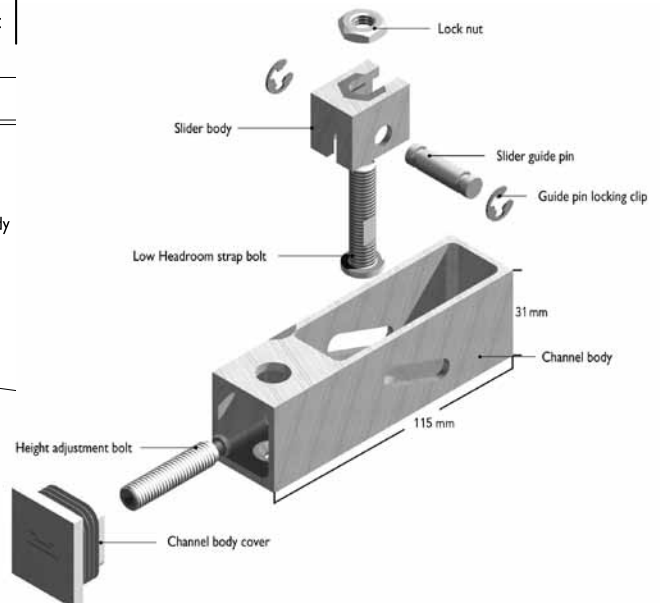
- 2 ea Low Head Room Units
- 2 ea End Caps
- 2 ea In-Track Clip Stops
- 1 ea Screw Pack
- 2 ea Low Head Room Hangers
- 1 ea 102N White Nylon Mortise Guide
- 1 ea Small Spanner and 4mm Allen Key

**Standard Kit Sizes**

| Part Number | Material | Track Length | Door Width |
|-------------|----------|--------------|------------|
| LP200A/6    | Aluminum | 72"          | 36"        |
| LP200A/8    | Aluminum | 96"          | 48"        |
| LP200A/10   | Aluminum | 120"         | 60"        |

**Options:** See page SF-25

- Side Wall Track Bracket **281A**
- Bottom Channel **94A**
- Roller Guide **106R/94**
- Threshold **971A**





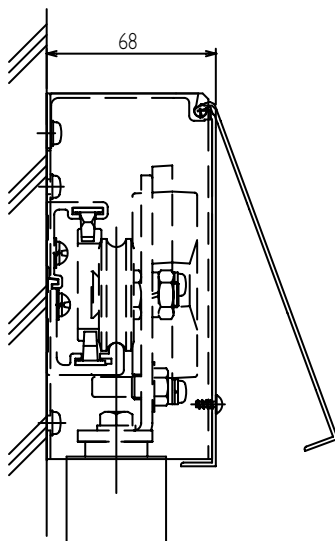
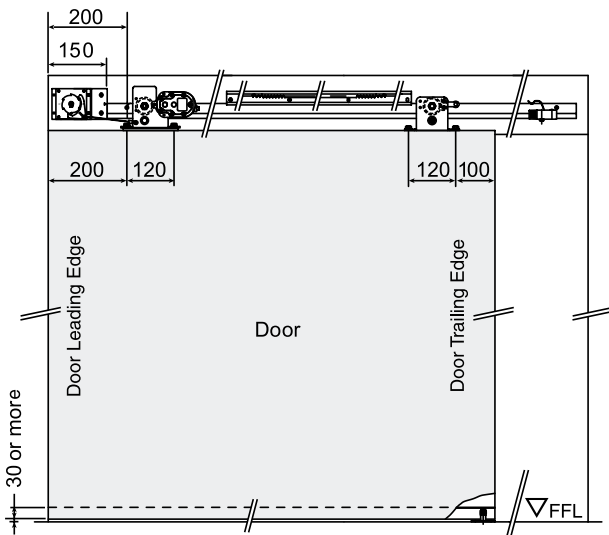
## Sirocco Series

For Sliding Panels up to 200 lbs  
Manufactured by P.C. Henderson

**HENDERSON**



Right Hand SIRRH Shown Above and Below



The Sirocco system is a quiet, user friendly self closing system which brings the door gently to a close.

The integrated hydraulic soft stop brings the door to a safe and cushioned close making it ideal for disabled access systems or public areas. The internal door brake can also be adjusted to allow the user to dictate the speed of opening preventing damage to the door and system.

### Configurations: Installations:

- Single
- Side Wall Mount

### Features:

- Self closing system for a single door from 31½" to 47¼" wide and up to 200 lbs
- Interior applications only
- Comes complete with a hydraulically controlled soft close feature
- Adjustable closing speed
- Door brake to reduce opening speed to prevent damage to the door and system
- Optional hold open unit giving adjustable time delay before self closing
- Operational between temperature ranges of 50 to 104 degrees Fahrenheit

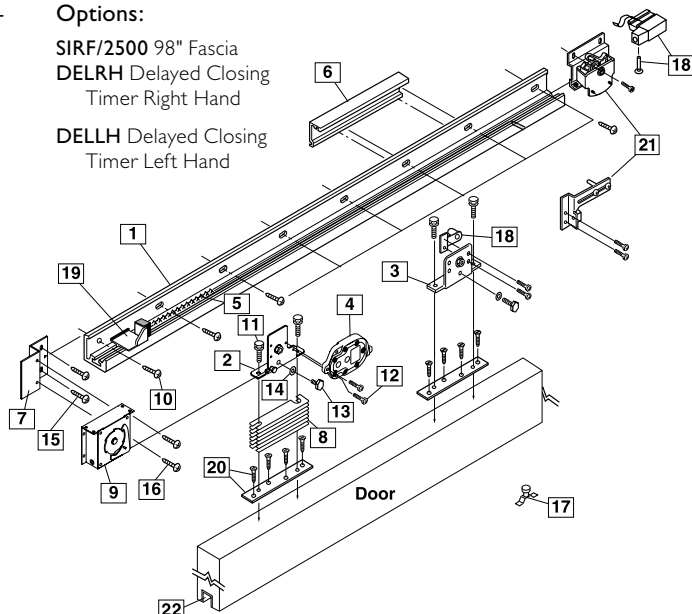
- SIRRH Right Hand Opening Kit
- SIRLH Left Hand Opening Kit

### Sirocco Series Kits Include:

- 1 ea Track 86.61" long
- 1 ea Leading hanger
- 1 ea Trailing hanger
- 1 ea Hydraulic Control Unit
- 1 ea Closing brake rack
- 1 ea Opening brake rack
- 1 ea Power spring mounting bracket
- 7 ea Height adjustment plates
- 1 ea Power spring unit
- 1 ea Guide roller
- 1 ea Opening door stop
- 1 ea Door stop roller
- 1 ea Closing door stop
- 2 ea Wooden door plate. All required screws and bolts

### Options:

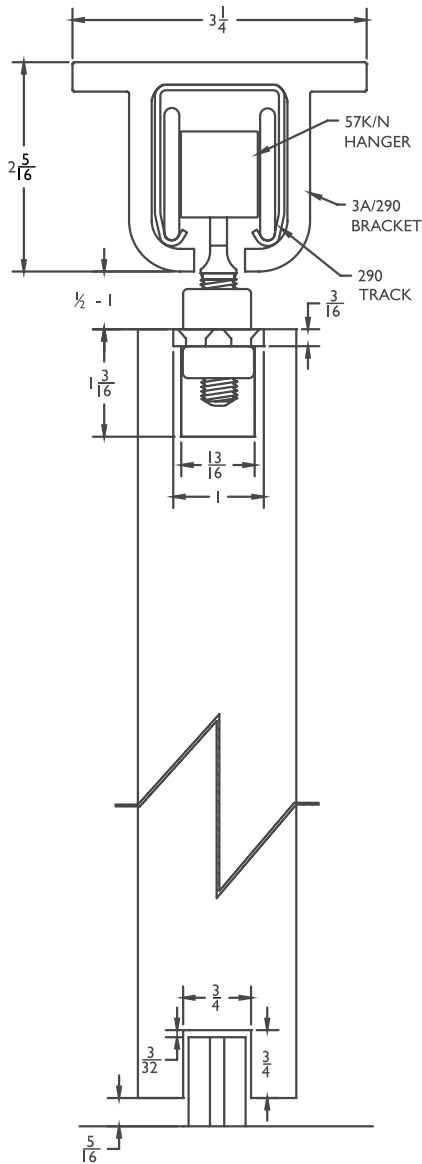
- SIRF/2500 98" Fascia
- DELRH Delayed Closing Timer Right Hand
- DELLH Delayed Closing Timer Left Hand



## H300S-OH Series

For Sliding Panels up to 300 lbs.  
Manufactured by P.C. Henderson

**HENDERSON**



**Configurations:**    **Installations:**

- Bi-parting
- Single
- Overhead Mount

**Features:**

- Overhead mount system
- Nylon wheels for smooth operation
- 300 lb. panel capacity
- Galvanized steel track 290

**H300S-OH Kits Include:**

- 1 ea **290** Galvanized Steel Track
- **3A/290** Aluminum Alloy Overhead Mount Track Brackets (One at each end and no more than 3 feet in between)
- 2 ea **1A/290/EC** Aluminum Alloy End Caps
- 2 ea **57K/N** White Nylon Body and Wheels, Zinc Coated Steel Pendant Bolt Hangers
- 2 ea **HH3/290** Galvanized Steel In-Track Stop
- 1 ea **89/2N** Gray Nylon Mortise Guide

| Standard Kit Sizes |          |              |            |
|--------------------|----------|--------------|------------|
| Part Number        | Material | Track Length | Door Width |
| <b>H300S-OH/6</b>  | Steel    | 72"          | 36"        |
| <b>H300S-OH/8</b>  | Steel    | 96"          | 48"        |
| <b>H300S-OH/10</b> | Steel    | 120"         | 60"        |
| <b>H300S-OH/12</b> | Steel    | 144"         | 72"        |

**Options:** See page SF-25

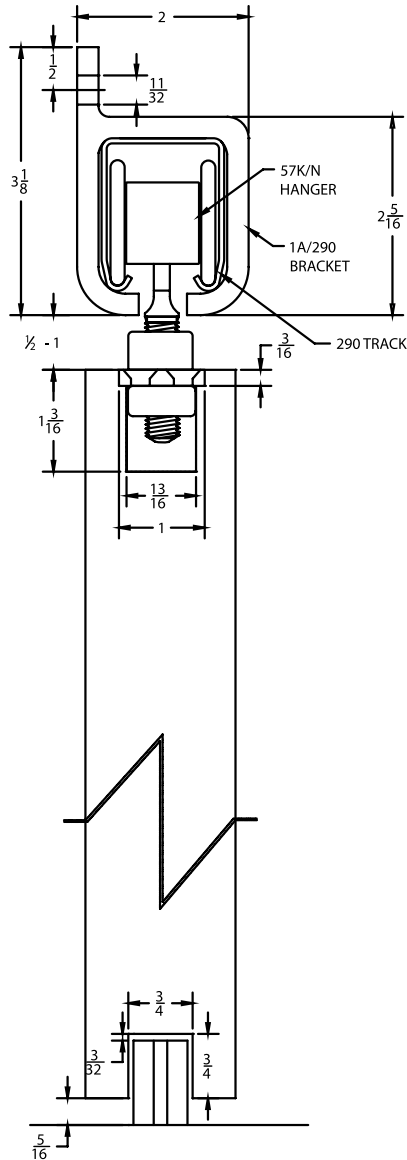
- Bottom Channel            **94A**
- Roller Guide                **106R/94**
- Threshold                   **971A**
- Mortise Guides             **102N**



## H300S-SW Series

For Sliding Panels up to 300 lbs.  
Manufactured by P.C. Henderson

**HENDERSON**



### Configurations: Installations:

- Bi-parting
- Single
- Side Wall Mount

### Features:

- Side wall mount system
- Nylon wheels for smooth operation
- 300 lb. panel capacity
- Galvanized steel track 290

### H300S-SW Kits Include:

- 1 ea **290** Galvanized Steel Track
- **1A/290** Side Wall Mount Track Brackets (One at each end and no more than three feet in between)
- 2 ea **1A/290/EC** Aluminum Alloy End Caps
- 2 ea **57K/N** White Nylon Body and Wheels, Zinc Coated Steel Pendant Bolt Hangers
- 2 ea **HH3/290** Galvanized Steel In-Track Stops
- 1 ea **89/2N** Gray Nylon Mortise Guide

### Standard Kit Sizes

| Part Number        | Material | Track Length | Door Width |
|--------------------|----------|--------------|------------|
| <b>H300S-SW/6</b>  | Steel    | 72"          | 36"        |
| <b>H300S-SW/8</b>  | Steel    | 96"          | 48"        |
| <b>H300S-SW/10</b> | Steel    | 120"         | 60"        |
| <b>H300S-SW/12</b> | Steel    | 144"         | 72"        |

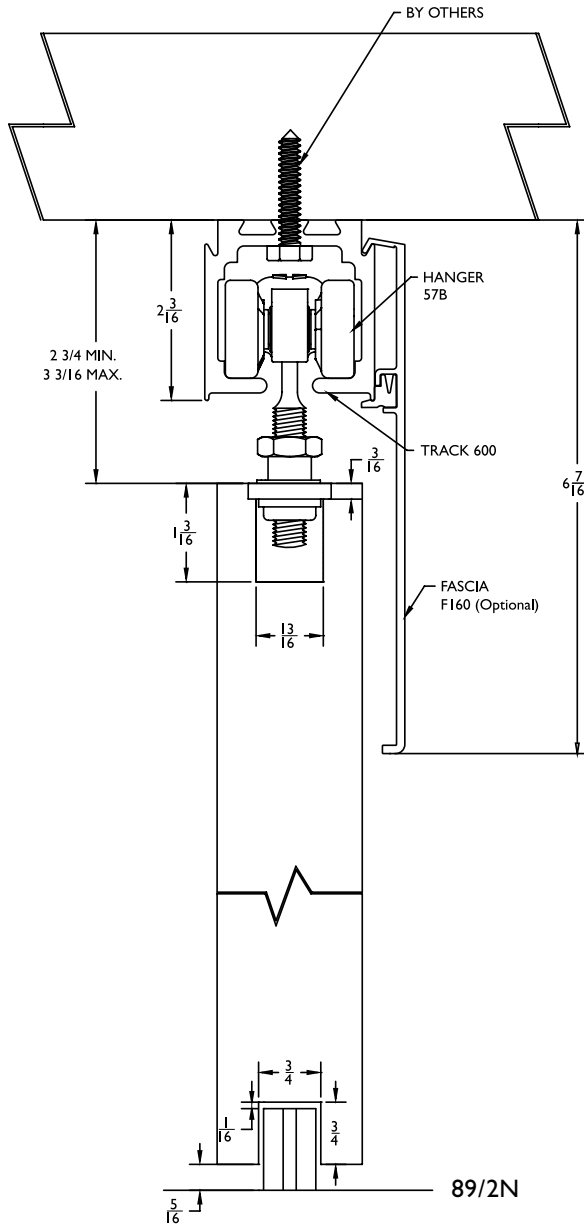
### Options: See page SF-25

- Bottom Channel **94A**
- Roller Guide **106R/94**
- Mortise Guides **102N**
- Side Wall Mortise Guides **102WN** (nylon) and **102WA** (steel)

## H440A-OH Series

For Sliding Panels up to 440 lbs.  
Manufactured by P.C. Henderson

HENDERSON



### Configurations: Installations:

- Bi-parting
- Single
- Overhead Mount

### Features:

- Overhead mount system
- Nylon body and steel ball bearing nylon wheels for smooth operation
- 440 lb. panel capacity
- Mill finished aluminum track 600A

### H440A-OH Kits Include:

- 1 ea **600A** Mill Finished Aluminum Track
- 2 ea **57B** Hangers: Gray Nylon Body, Zinc Coated Steel Pendant Bolt, Steel Ball Bearing Nylon Wheels
- 2 ea **601P** Nylon In-Track Clip Stop
- 1 ea **89/2N** Gray Nylon Mortise Guide

### Standard Kit Sizes

| Part Number        | Material | Track Length | Door Width |
|--------------------|----------|--------------|------------|
| <b>H440A-OH/6</b>  | Aluminum | 72"          | 36"        |
| <b>H440A-OH/8</b>  | Aluminum | 96"          | 48"        |
| <b>H440A-OH/10</b> | Aluminum | 120"         | 60"        |
| <b>H440A-OH/12</b> | Aluminum | 144"         | 72"        |

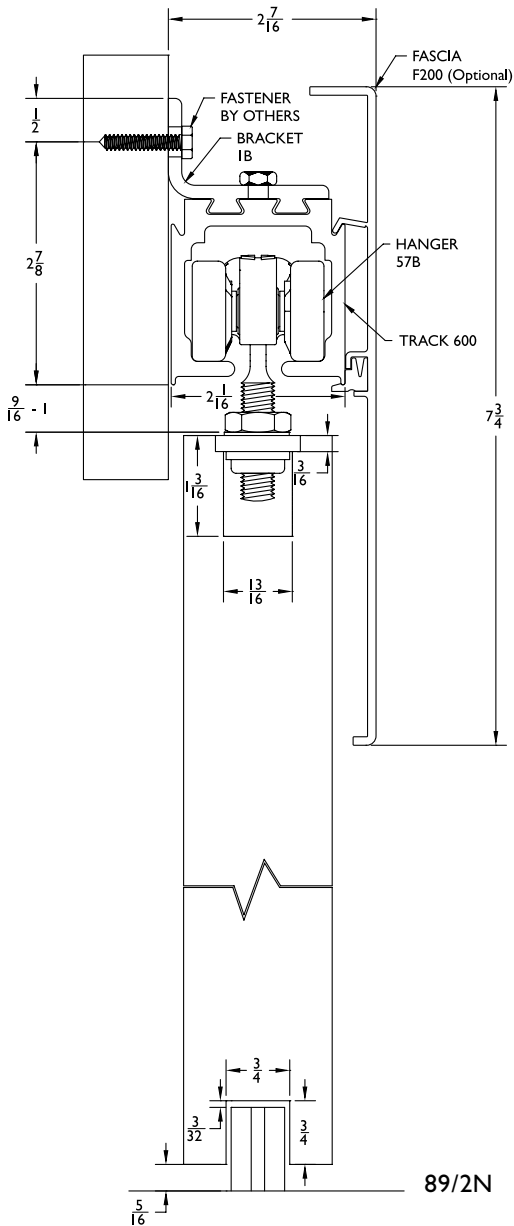
### Options: See page SF-25

- Fascia **F160C**
- Bottom Channel **94A**
- Roller Guide **106R/94**
- Threshold **971A**
- Mortise Guides **102N**
- End Plate Kit **F160ECP** (Used With **F160C** Fascia and **600A** Track Only)

## H440A-SW Series

For Sliding Panels up to 440 lbs.  
Manufactured by P.C. Henderson

**HENDERSON**



### Configurations: Installations:

- Bi-parting
- Single
- Side Wall Mount

### Features:

- Side wall mount system
- Nylon body and steel ball bearing nylon wheels for smooth operation
- 440 lb. panel capacity
- Mill finished aluminum track 600A

### H440A-SW Kits Include:

- 1 ea **600A** Mill Finished Aluminum Track
- **1B** Side Wall Mount Track Brackets  
(One at each end and no more than 3 feet in between)
- 2 ea **57B** Hangers: Gray Nylon Body, Zinc Coated Steel  
Pendant Bolt, Steel Ball Bearing Nylon Wheels
- 2 ea **601P** Nylon In-Track Clip Stop
- 1 ea **89/2N** Gray Nylon Mortise Guide

### Standard Kit Sizes

| Part Number        | Material | Track Length | Door Width |
|--------------------|----------|--------------|------------|
| <b>H440A-SW/6</b>  | Aluminum | 72"          | 36"        |
| <b>H440A-SW/8</b>  | Aluminum | 96"          | 48"        |
| <b>H440A-SW/10</b> | Aluminum | 120"         | 60"        |
| <b>H440A-SW/12</b> | Aluminum | 144"         | 72"        |

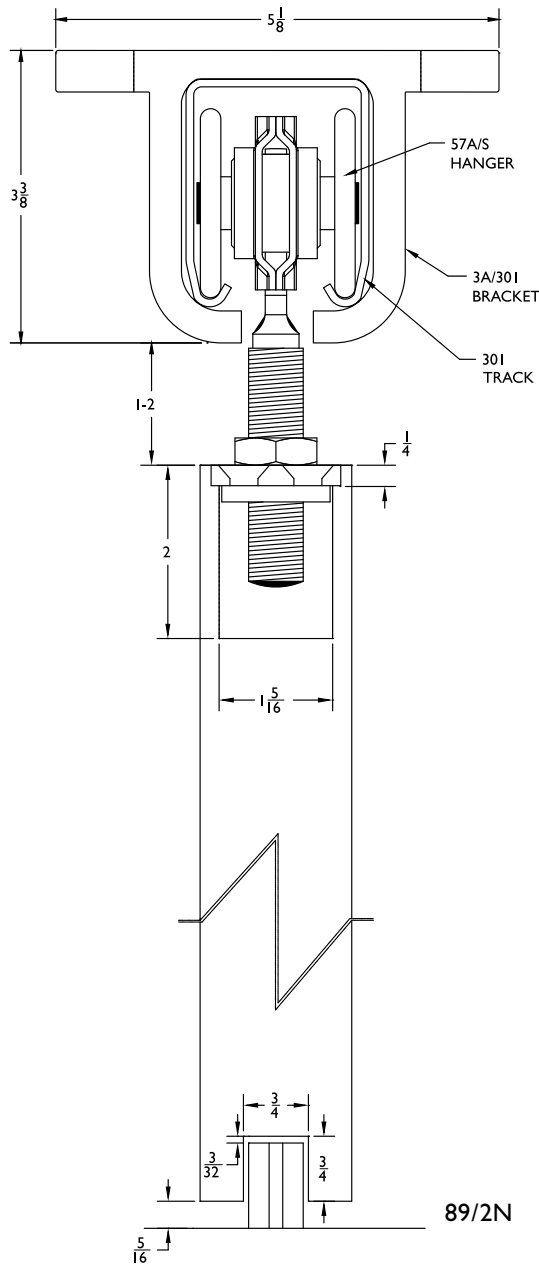
### Options: See page SF-25

|                          |   |
|--------------------------|---|
| Fascia                   | <b>F200C</b>  |
| Bottom Channel           | <b>94A</b>  |
| Roller Guide             | <b>106R/94</b>  |
| Mortise Guides           | <b>102N</b>   |
| Side Wall Mortise Guides | <b>102WN</b> (nylon) and <b>102WA</b> (steel)                             |
| End Plate Kit            | <b>F200ECP</b> (Used With <b>F200C</b> Fascia and <b>600A</b> Track Only) |

## H600S-OH Series

For Sliding Panels up to 600 lbs.  
Manufactured by P.C. Henderson

**HENDERSON**



### Configurations: Installations:

- Bi-parting
- Single
- Overhead Mount

### Features:

- Overhead mount system
- Heavy duty zinc coated steel
- Ball bearing wheels
- 600 lb. panel capacity
- Galvanized steel track 301

### H600S-OH Kits Include:

- 1 ea **301** Galvanized Steel Track
- **3A/301** Aluminum Alloy Overhead Mount Track Brackets (One at each end and no more than three feet in between)
- 2 ea **1A/301/EC** Aluminum Alloy End Caps
- 2 ea **57A/S** Zinc Coated Steel Body, Wheels, and Pendant Bolt Hangers
- 2 ea **HH3/301** Galvanized Steel In-Track Stops
- 1 ea **89/2N** Gray Nylon Mortise Guide

### Standard Kit Sizes

| Part Number        | Material | Track Length | Door Width |
|--------------------|----------|--------------|------------|
| <b>H600S-OH/6</b>  | Steel    | 72"          | 36"        |
| <b>H600S-OH/8</b>  | Steel    | 96"          | 48"        |
| <b>H600S-OH/10</b> | Steel    | 120"         | 60"        |
| <b>H600S-OH/12</b> | Steel    | 144"         | 72"        |

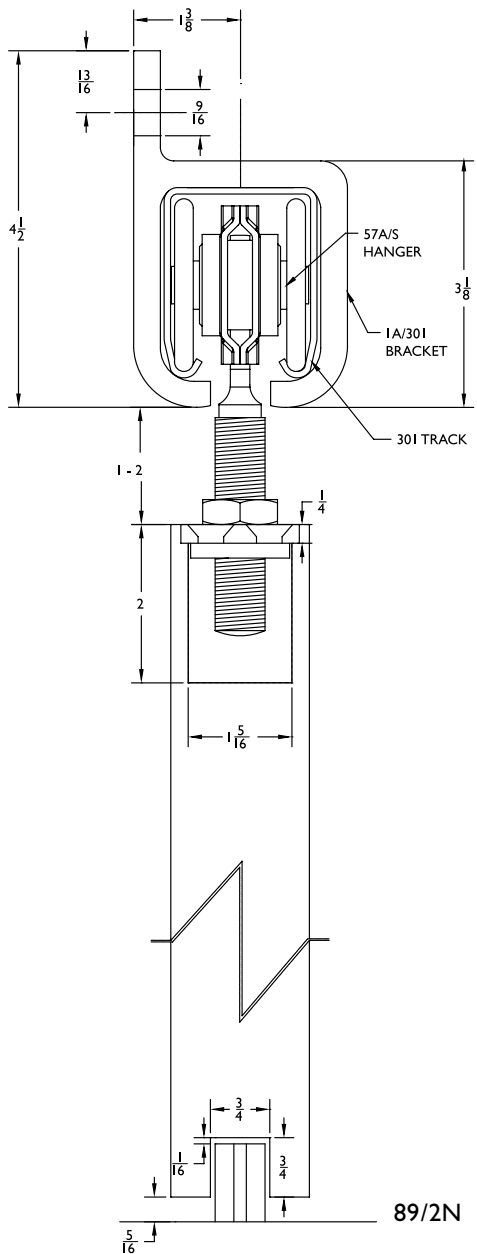
### Options: See page SF-25

- Bottom Channel **94A**
- Roller Guide **106R/94**
- Mortise Guides **102N**
- Threshold **971A**

## H600S-SW Series

For Sliding Panels up to 600 lbs.  
Manufactured by P.C. Henderson

**HENDERSON**



### Configurations: Installations:

- Bi-parting
- Single
- Side Wall Mount

### Features:

- Side wall mount system
- Heavy duty zinc coated steel
- Ball bearing wheels
- 600 lb. panel capacity
- Galvanized steel track 301

### H600S-SW Kits Include:

- 1 ea **301** Galvanized Steel Track
- **1A/301** Side Wall Mount Track Brackets  
(One at each end and no more than three feet in between)
- 2 ea **1A/301/EC** Aluminum Alloy End Caps
- 2 ea **57A/S** Zinc Coated Steel Body, Wheels, and Pendant Bolt Hangers
- 2 ea **HH3/301** Galvanized Steel In-Track Stops
- 1 ea **89/2N** Gray Nylon Mortise Guide

### Standard Kit Sizes

| Part Number        | Material | Track Length | Door Width |
|--------------------|----------|--------------|------------|
| <b>H600S-SW/6</b>  | Steel    | 72"          | 36"        |
| <b>H600S-SW/8</b>  | Steel    | 96"          | 48"        |
| <b>H600S-SW/10</b> | Steel    | 120"         | 60"        |
| <b>H600S-SW/12</b> | Steel    | 144"         | 72"        |

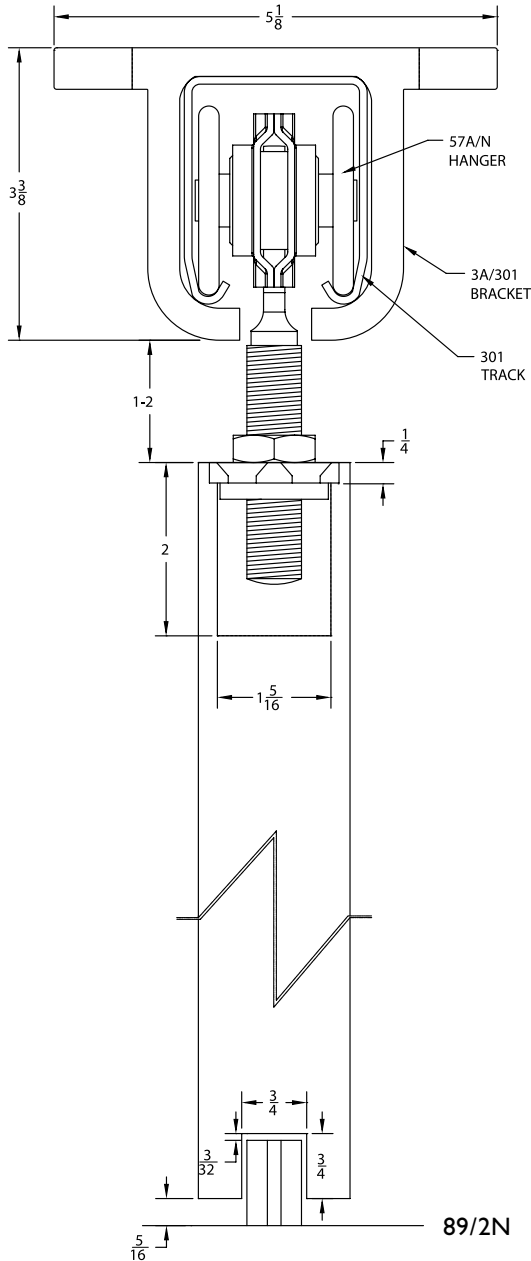
### Options: See page SF-25

- Bottom Channel **94A**
- Roller Guide **106R/94**
- Mortise Guides **102N**
- Side Wall Mortise Guides **102WN**

## H800S-OH Series

For Sliding Panels up to 800 lbs.  
Manufactured by P.C. Henderson

**HENDERSON**



### Configurations: Installations:

- Bi-parting
- Single
- Overhead Mount

### Features:

- Overhead mount system
- Heavy duty zinc coated steel body
- Ball bearing nylon wheels for smooth operation
- 800 lb. panel capacity
- Galvanized steel track 301

### H800S-OH Kits Include:

- 1 ea **301** Galvanized Steel Track
- **3A/301** Overhead Mount Track Brackets  
(One at each end and no more than three feet in between)
- 2 ea **1A/301/EC** Aluminum Alloy End Caps
- 2 ea **57A/N** Zinc Coated Steel Body, Nylon Wheels, and Pendant Bolt Hangers
- 2 ea **HH3/301** Galvanized Steel In-Track Stop
- 1 ea **89/2N** Gray Nylon Mortise Guide

### Standard Kit Sizes

| Part Number        | Material | Track Length | Door Width |
|--------------------|----------|--------------|------------|
| <b>H800S-OH/6</b>  | Steel    | 72"          | 36"        |
| <b>H800S-OH/8</b>  | Steel    | 96"          | 48"        |
| <b>H800S-OH/10</b> | Steel    | 120"         | 60"        |
| <b>H800S-OH/12</b> | Steel    | 144"         | 72"        |

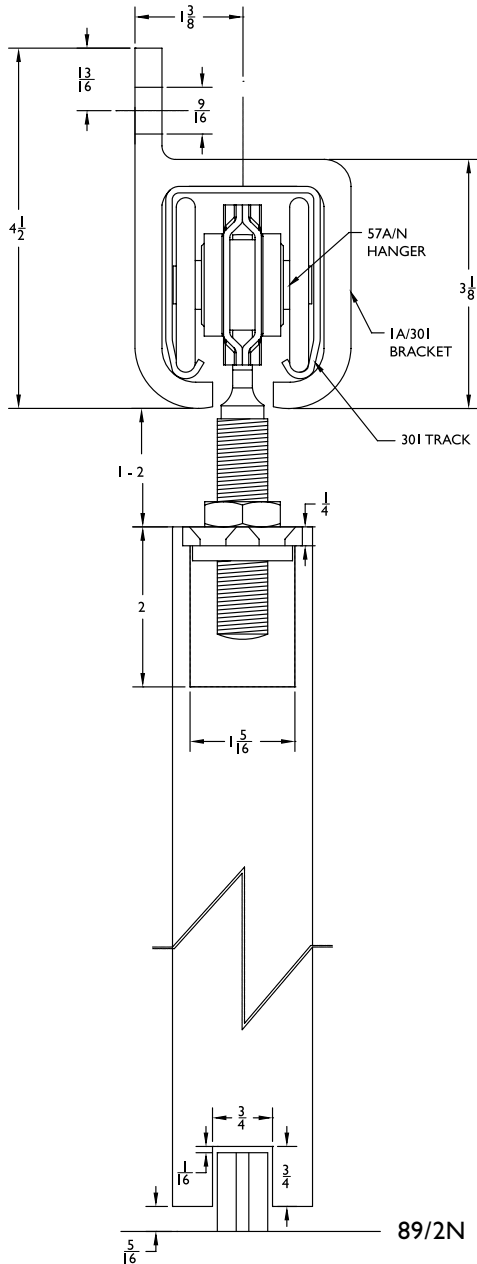
### Options: See page SF-25

- Bottom Channel **94A**
- Roller Guide **106R/94**
- Mortise Guides **102N**
- Threshold **971A**

## H800S-SW Series

For Sliding Panels up to 800 lbs.  
Manufactured by P.C. Henderson

**HENDERSON**



### Configurations: Installations:

- Bi-parting
- Single
- Side Wall Mount

### Features:

- Side wall mount system
- Heavy duty zinc coated steel body
- Heavy ball bearing nylon wheels for smooth operation
- 800 lb. panel capacity
- Galvanized steel track 301

### H800S-SW Kits Include:

- 1 ea **301** Galvanized Steel Track
- **1A/301** Aluminum Alloy Side Wall Mount Track Brackets (One at each end and no more than three feet in between)
- 2 ea **1A/301/EC** Aluminum Alloy End Caps
- 2 ea **57A/N** Zinc Coated Steel Body, Nylon Wheels, and Pendant Bolt Hangers
- 2 ea **HH3/301** Galvanized Steel In-Track Stops
- 1 ea **89/2N** Gray Nylon Mortise Guide

### Standard Kit Sizes

| Part Number        | Material | Track Length | Door Width |
|--------------------|----------|--------------|------------|
| <b>H800S-SW/6</b>  | Steel    | 72"          | 36"        |
| <b>H800S-SW/8</b>  | Steel    | 96"          | 48"        |
| <b>H800S-SW/10</b> | Steel    | 120"         | 60"        |
| <b>H800S-SW/12</b> | Steel    | 144"         | 72"        |

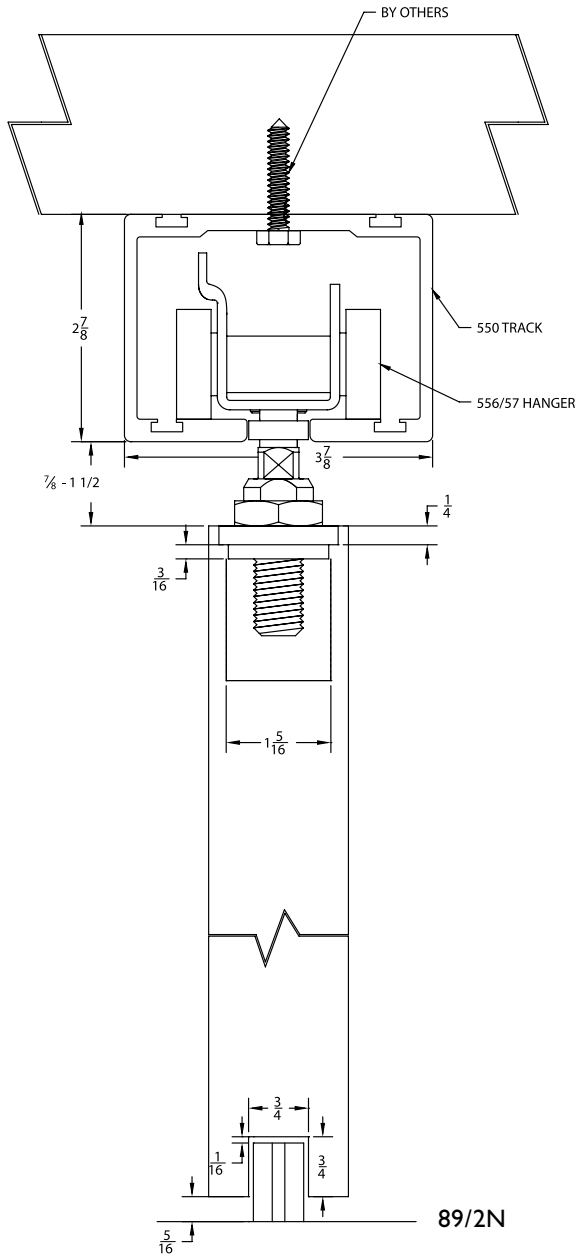
### Options: See page SF-25

- Bottom Channel **94A**
- Roller Guide **106R/94**
- Mortise Guides **102N**
- Side Wall Mortise Guides **102WN** (nylon) and **102WA** (steel)

## H1100A-OH Series

For Sliding Panels up to 1100 lbs.  
Manufactured by P.C. Henderson

**HENDERSON**



Ideally suited for large doors that require high performance and an attractive finish.

Typical applications are hotels, conference centers, shop-fronts and showrooms.

**Configurations:**    **Installations:**

- Bi-parting
- Single
- Overhead Mount

**Features:**

- For top hung wood and metal doors
- Heavy duty black painted steel body
- Ball bearing steel wheels
- 1100 lb. panel capacity
- Mill finished aluminum track 550A

**H1100A-OH Kits Include:**

- 1 ea **550A** Mill Finished Aluminum Track
- 2 ea **556/57** Painted Black Steel Body - Zinc Coated Steel  
Wheels and Pendant Bolt Hangers
- 2 ea **HH3/301** Galvanized Steel In-Track Stops
- 1 ea **89/2N** Gray Nylon Mortise Guide

| Standard Kit Sizes  |          |              |            |
|---------------------|----------|--------------|------------|
| Part Number         | Material | Track Length | Door Width |
| <b>H1100A-OH/6</b>  | Aluminum | 72"          | 36"        |
| <b>H1100A-OH/8</b>  | Aluminum | 96"          | 48"        |
| <b>H1100A-OH/10</b> | Aluminum | 120"         | 60"        |
| <b>H1100A-OH/12</b> | Aluminum | 144"         | 72"        |
| <b>H1100A-OH/16</b> | Aluminum | 197"         | 98"        |

**Options:** See page SF-25

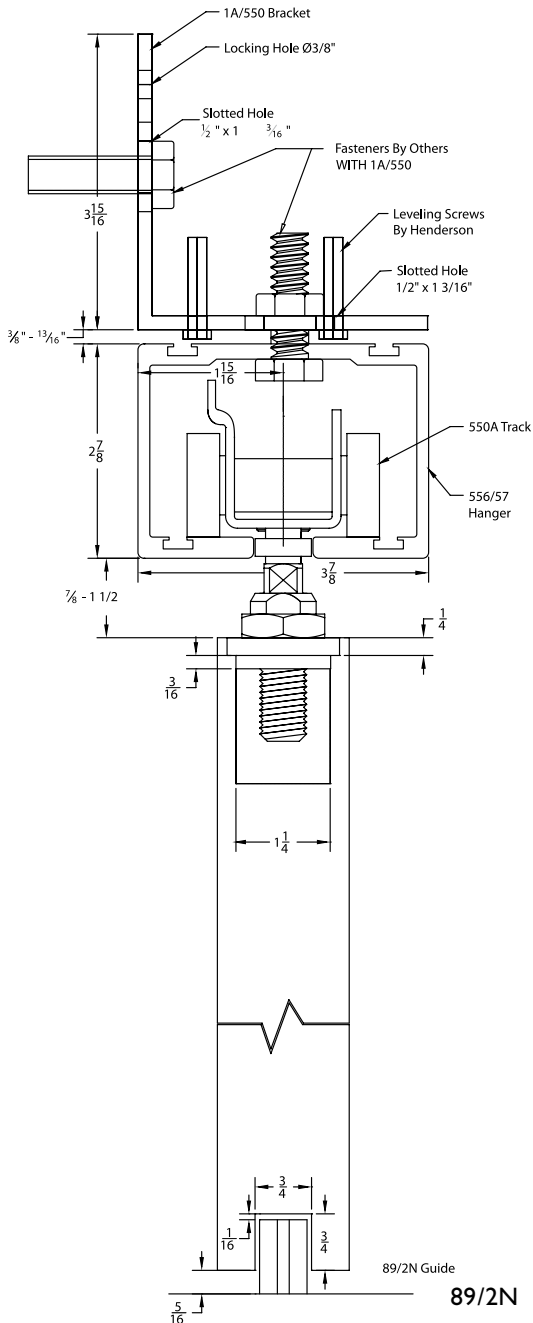
- Bottom Channel            **94A**
- Roller Guide                **106R/94**
- Threshold                    **971A**



## H1100A-SW Series

For Sliding Panels up to 1100 lbs.  
Manufactured by P.C. Henderson

**HENDERSON**



Ideally suited for large doors that require high performance and an attractive finish.

Typical applications are hotels, conference centers, shop-fronts and showrooms.

### Configurations: Installations:

- Bi-parting
- Side Wall Mount
- Single

### Features:

- Heavy duty black painted steel body ball bearing wheels
- 1100 lb. panel capacity
- Mill finished aluminum track 550A

### H1100A-SW Kits Include:

- 1 ea **550A** Mill Finished Aluminum Track
- **1A/550** Aluminum Alloy Side Wall Track Bracket  
Fastners not included with 1A/550. (One at each end and no more than three feet in between)
- 2 ea **556/57** Painted Black Steel Body - Zinc Coated Steel  
Wheels and Pendant Bolt Hangers
- 2 ea **HH3/301** Galvanized Steel In-Track Stops
- 1 ea **89/2N** Gray Nylon Mortise Guide

### Standard Kit Sizes

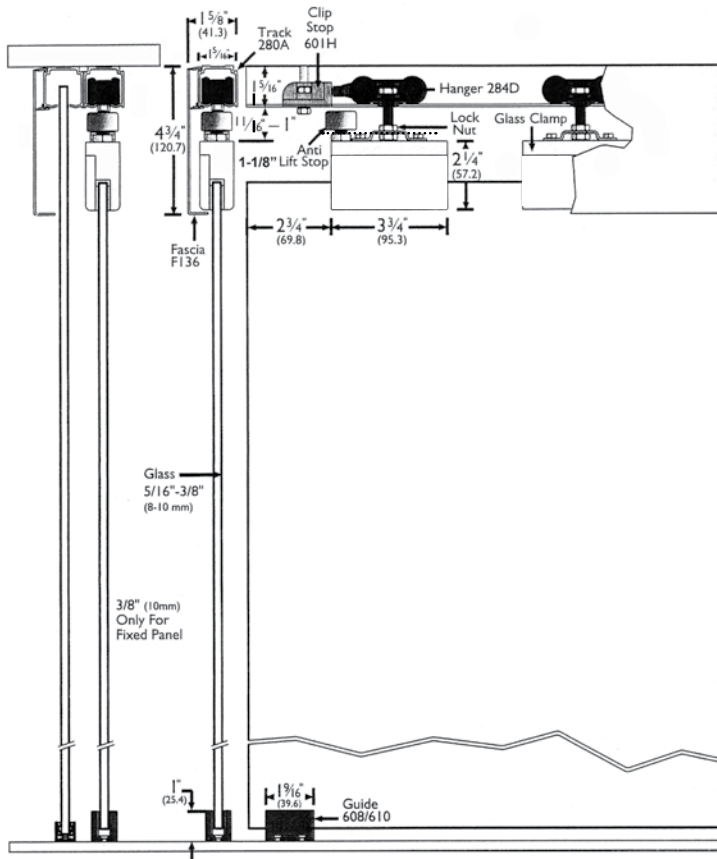
| Part Number         | Material | Track Length | Door Width |
|---------------------|----------|--------------|------------|
| <b>H1100A-SW/6</b>  | Aluminum | 72"          | 36"        |
| <b>H1100A-SW/8</b>  | Aluminum | 96"          | 48"        |
| <b>H1100A-SW/10</b> | Aluminum | 120"         | 60"        |
| <b>H1100A-SW/12</b> | Aluminum | 144"         | 72"        |
| <b>H1100A-SW/16</b> | Aluminum | 197"         | 98"        |

**Options:** See page SF-25

- Bottom Channel **94A**
- Roller Guide **106R/94**

## Sliding Glass Series

Manufactured by P.C. Henderson  
**HENDERSON**



For lightweight glass applications such as office doors and small glass partitions.

### Capacity:

- Max. door weight 165 lbs. (75kg)
- Max. door height 7' 10" (2400mm)
- Max. door width 4' 1" (1250mm)
- Glass thickness 5/16" (8mm) & 3/8" (10mm)

### Door Types:

Glass panels of 5/16" (8mm) or 3/8" (10mm) thickness in tempered or laminated glass.

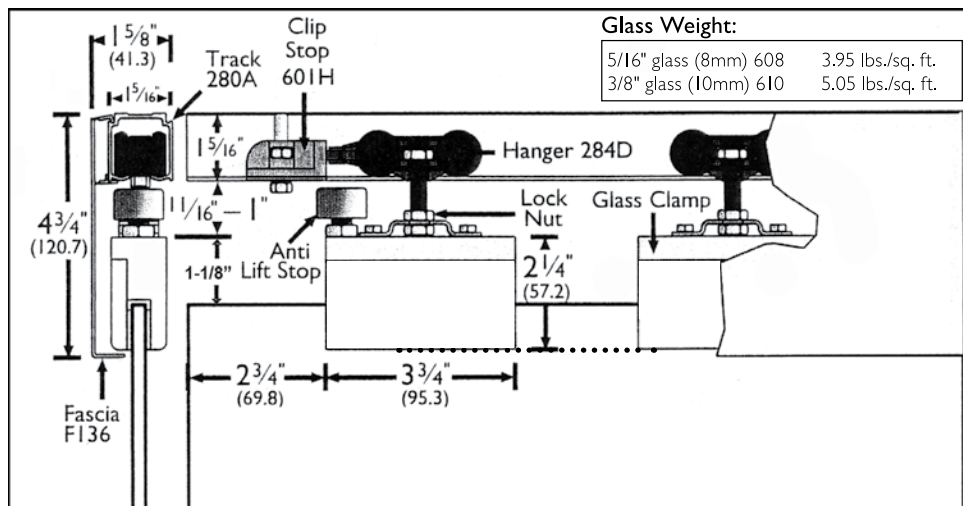
### 8/10/75 HUSKY Glass Clamp Kit:

- 2 ea 284D Hangers
- 2 ea GLASS Clamps w/anti-lift stop
- 2 ea 601H End stops
- 1 ea 610 Guide
- 1 ea 608 Guide

NOTE: When using glass clamps in combination with protective coatings for glass surfaces, ensure that the portion of the glass surface to be clamped is not treated.

### Options: See page SF-25

- Track: **280A** (extruded aluminum)  
Available in 6', 8', 10' & 12' lengths
- Face mount bracket: **281** available as 5 pack only, **2815**  
NOTE: Need one on each end, with no more than 3 feet in between each bracket. Fasteners included.
- Fascias: **F136** Soffit Fixed Track
- Guides: **608** and **610** glass guides
- Accessories: **601H** retaining stop mounted within the track

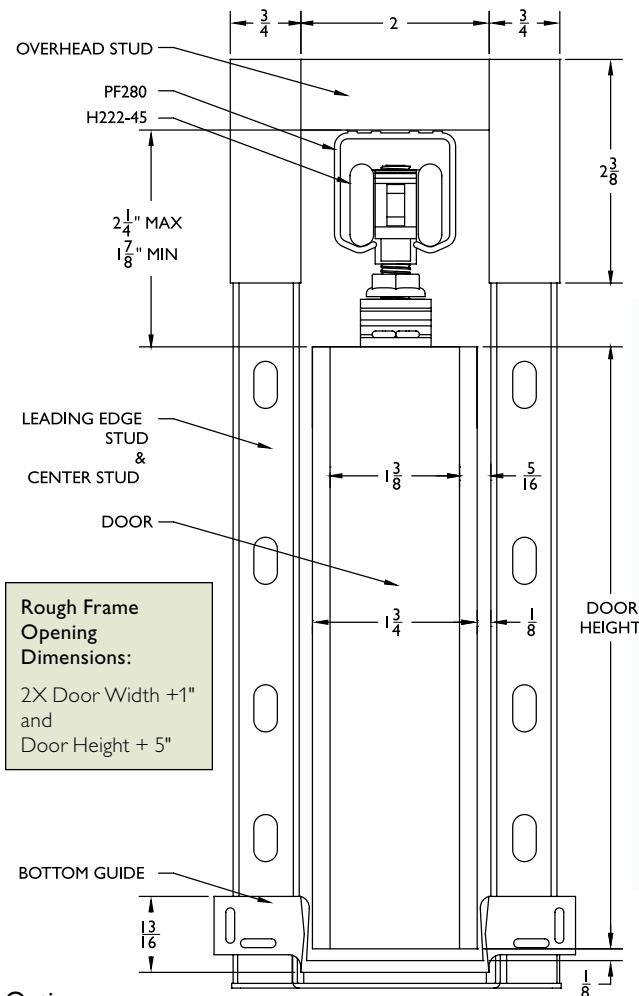


AVAILABLE FINISHES FOR PRODUCTS SHOWN ON THIS PAGE (see General Information section for finish chart)  
A (Mill Finish Aluminum) C (Clear Anodized)

## Pocket Frame Kit

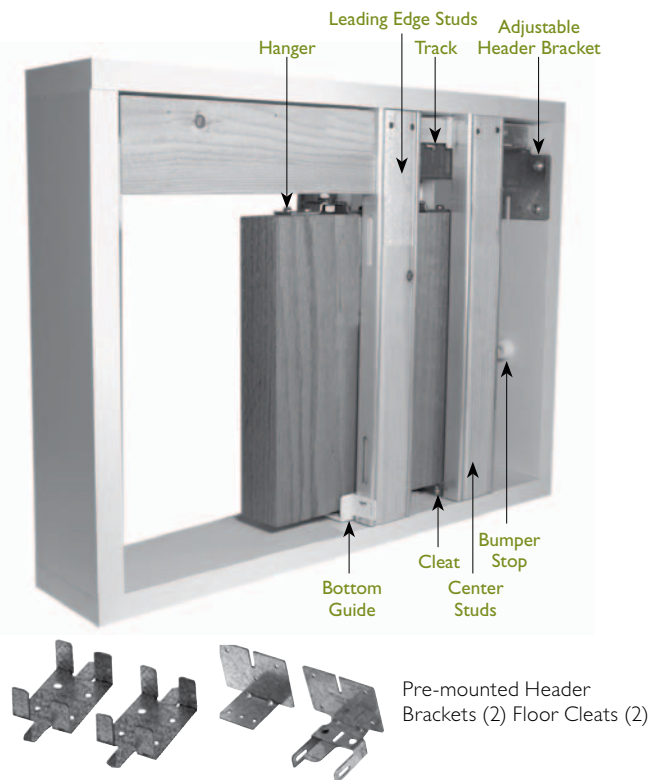
### Manufactured by PEMKO

- Heavy duty hardware supports doors up to 175 lbs. each
- Door actuation requires less than 5 lbs of horizontal force, meeting ADA requirements
- Extruded aluminum track
- Solid wood studs encased in extruded aluminum reduces corrosion and minimizes bowing effects
- Standard kit is for 1 $\frac{3}{8}$ " door. For 1 $\frac{3}{4}$ " door, MUST use PF134KIT (see Options below)
- Chrome plated steel hangers are corrosion resistant and no maintenance is required
- Knock-down construction



### Pocket Frame Kit Includes:

- 1 ea Header Track Assembly
  - 4 ea PFAS\_ Aluminum Cased Wood Studs
  - 2 ea PFHB-1 and PFHB-2 Pre-Mounted Header Brackets
  - 2 ea H222-45 Hangers
  - 2 ea PFFC-8 Floor Cleats
  - 1 ea PFBS Pocket Bumper Stop
  - 1 ea PFBG-8 Pocket Frame Bottom Guide for 1 $\frac{3}{8}$ " Thick Doors
- Mounting Hardware



### Options:

- PF134 KIT** - Must be ordered for 1 $\frac{3}{4}$ " doors
- PFAS88** - An extra pair of 88" center studs with floor cleat for 84" tall doors, for doors over 3' wide
- PFAS100** - An extra pair of 100" center studs with floor cleat for 96" tall doors, for doors over 3' wide
- PFCDKIT** - Conversion Kit to achieve a bipart double door frame
- PFKIT-4** - Hardware Kit for PEMKO Pocket Frame Kit for 1 $\frac{3}{4}$ " thick doors (Each contains 2-H222-45 Hangers, 1-PFBS Bumper Stop, 1- PFBG-4 Guide, 2 PFHS Header Shims, 2-PFFC-4 Floor Cleats)
- PFKIT-8** - Hardware Kit for PEMKO Pocket Frame Kit for 1 $\frac{3}{8}$ " thick doors (Each contains 2-H222-45 Hangers, 1-PFBS Bumper Stop, 1- PFBG-8 Guide, 2-PFFC-8 Floor Cleats)

### Available Kits\*

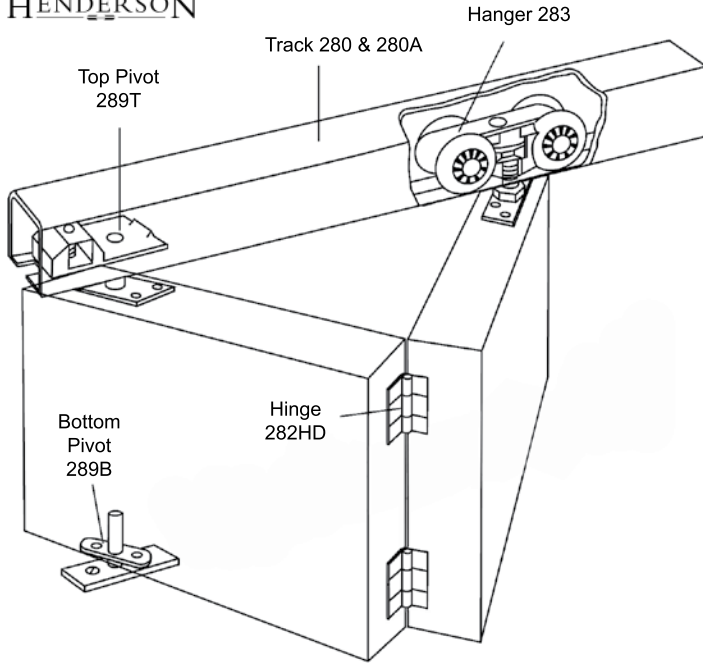
| 2 x 4 (3 $\frac{1}{2}$ " Stud) | 2 x 6 (5 $\frac{1}{2}$ " Stud) | 2 x 6 (6" Stud)  | Net Door Size<br>(The Kits can be trimmed in field) |
|--------------------------------|--------------------------------|------------------|---|
| PF28200A6080                   | PF28200A6080-2x6               | PF28200A6080-SP6 | 2'6" x 6'8"   |
| PF28200A7280                   | PF28200A7280-2x6               | PF28200A7280-SP6 | 3'0" x 6'8"   |
| PF28200A9680                   | PF28200A9680-2x6               | PF28200A9680-SP6 | 4'0" x 6'8"   |
| PF28200A6084                   | PF28200A6084-2x6               | PF28200A6084-SP6 | 2'6" x 7'0"   |
| PF28200A7284                   | PF28200A7284-2x6               | PF28200A7284-SP6 | 3'0" x 7'0"   |
| PF28200A9684                   | PF28200A9684-2x6               | PF28200A9684-SP6 | 4'0" x 7'0"   |
| PF28200A6096                   | PF28200A6096-2x6               | PF28200A6096-SP6 | 2'6" x 8'0"   |
| PF28200A7296                   | PF28200A7296-2x6               | PF28200A7296-SP6 | 3'0" x 8'0"   |
| PF28200A9696                   | PF28200A9696-2x6               | PF28200A9696-SP6 | 4'0" x 8'0"   |

\*Custom sizes available call for information

## Folding 100 Series

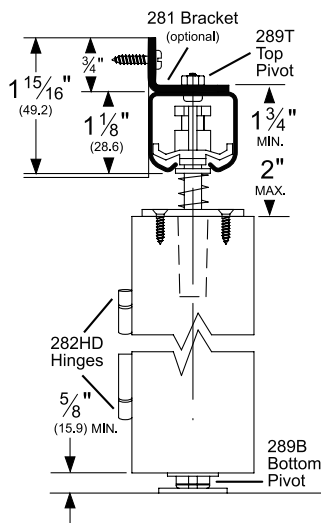
For Folding Doors and Room Dividers up to 100 Lbs.  
For Doors up to 24" Wide x 96" Tall  
Manufactured by P.C. Henderson

**HENDERSON**

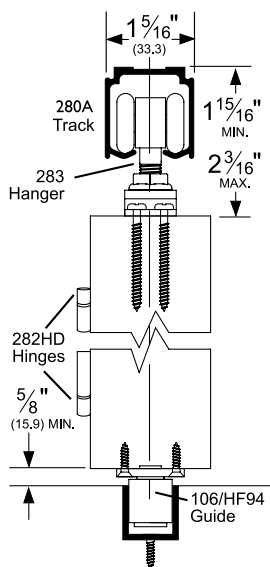


NOTE: Allow 1/4" clearance at pivot jambs and 1/8" in between hinged doors if hinges are semi mortised. Allow 3/16" between hinged doors if hinges are surface mounted. Allow 1/8" between doors meeting in the center of the opening on HF4 kits and allow 1/8" between wall and end panel on HF2 kits.

### 280 Side Wall Mounted



### 280A Overhead Mounted



High quality hardware makes medium weight folding doors efficient and easy to use. Two and four leaf kits are available.

#### Two Panel:

#### HF2/100A Kits Include:

- 1 ea 280A Mill Finished Aluminum Track
- 1 ea 283 Hanger
- 1 ea 289T Top Pivot
- 1 ea 289B Bottom Pivot
- 3 ea 282HD Hinges
- 1 ea 106HF/94 Roller Guide
- 1 ea 94A Aluminum Guide Channel
- 1 ea Adjusting Wrench and Mounting Hardware

#### Four Panel:

#### HF4/100A Kits Include:

- 1 ea 280A Mill Finished Aluminum Track
- 2 ea 283 Hangers
- 2 ea 289T Top Pivots
- 2 ea 289B Bottom Pivots
- 6 ea 282HD Hinges
- 2 ea 106HF/94 Roller Guide
- 1 ea 94A Aluminum Guide Channel
- 1 ea Adjusting Wrench and Mounting Hardware

#### STANDARD KIT SIZES

| Part Number  | Material | # of Panels | Track Length |
|--------------|----------|-------------|--------------|
| HF2/100A/2   | Aluminum | 2           | 24"          |
| HF2/100A/2'6 | Aluminum | 2           | 30"          |
| HF2/100A/3   | Aluminum | 2           | 36"          |
| HF2/100A/4   | Aluminum | 2           | 48"          |
| HF4/100A/4   | Aluminum | 4           | 48"          |
| HF4/100A/5   | Aluminum | 4           | 60"          |
| HF4/100A/6   | Aluminum | 4           | 72"          |
| HF4/100A/8   | Aluminum | 4           | 96"          |
| HF2/100/4*   | Steel    | 2           | 48"          |
| HF4/100/8*   | Steel    | 4           | 96"          |

\*Steel kits include the same components as above, except track is 1ea 280 galvanized steel.

#### Options: See page SF-25

Mounting Bracket **281** available as 5 pack only, **2815**  
Threshold **971A**

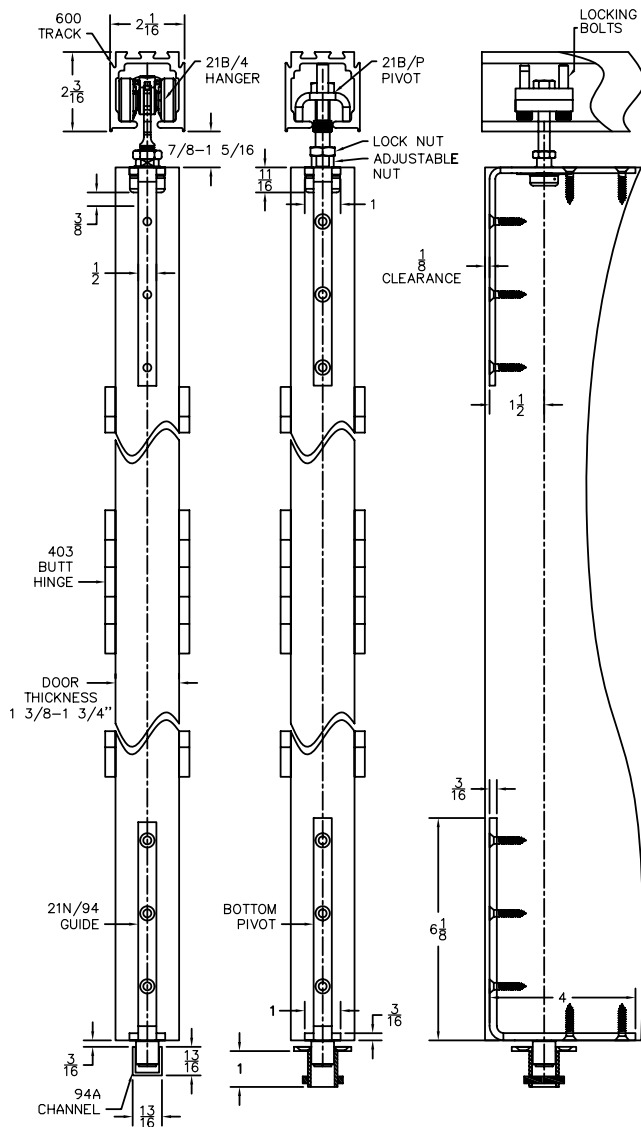
## Pacer Interior End Fold Series

For Folding Doors and Room Dividers up to 165 lbs.

For Doors up to 36" Wide x 106" Tall

Manufactured by P.C. Henderson

**HENDERSON**



For top-hung, medium weight, interior, partition doors.

Ideal in both residential and commercial applications requiring end folding doors.

Two Panel: plan 1

### PIF2/165A Kits Include:

- 1 ea 600A Mill Finished Aluminum Track
- 1 ea 21B/P Top and Bottom Pivot Assembly
- 1 ea 21BO/4 Nylon Body and Wheels, Zinc Coated Steel Pendant Bolt and Door Bracket Hanger
- 1 ea 21N/94 Nylon Roller Guide on Zinc Coated Steel Door Bracket Bottom Guide
- 4 ea 403/2 Aluminum Alloy Butt Hinges
- 1 ea 94A Aluminum Guide Channel

Four Panel: plan 2

### PIF4/165A Kits Include:

- 1 ea 600A Mill Finished Aluminum Track
- 2 ea 21B/P Top and Bottom Pivot Assembly
- 2 ea 21BO/4 Nylon Body and Wheels, Zinc coated steel Pendant Bolt and Door Bracket Hanger
- 2 ea 21N/94 Nylon Roller Guide on Zinc Coated Steel Door Bracket Bottom Guide
- 8 ea 403/2 Aluminum Alloy Butt Hinges
- 1 ea 94A Aluminum Guide Channel

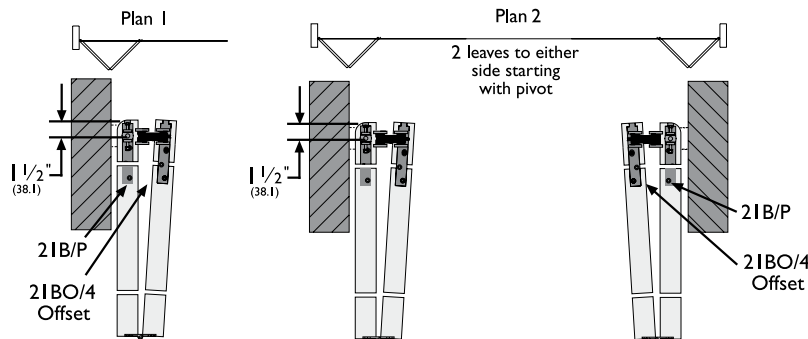
### Standard Kit Sizes

| Part Number  | Material | # of Panels | Track Length |
|--------------|----------|-------------|--------------|
| PIF2/165A/6  | Aluminum | 2           | 72"          |
| PIF4/165A/6  | Aluminum | 4           | 72"          |
| PIF4/165A/8  | Aluminum | 4           | 96"          |
| PIF4/165A/12 | Aluminum | 4           | 2 @ 72"      |

Options: See page SF-25

Threshold 971A

Note: Allow 3/8" clearance at pivot jambs and 1/8" in between hinged doors if hinges are semi mortised. Allow 7/16" between hinged doors if hinges are surface mounted. Allow 1/8" between doors meeting in the center of the opening on PIF4 kits and allow 1/8" between wall and end panel on PIF2 kits.



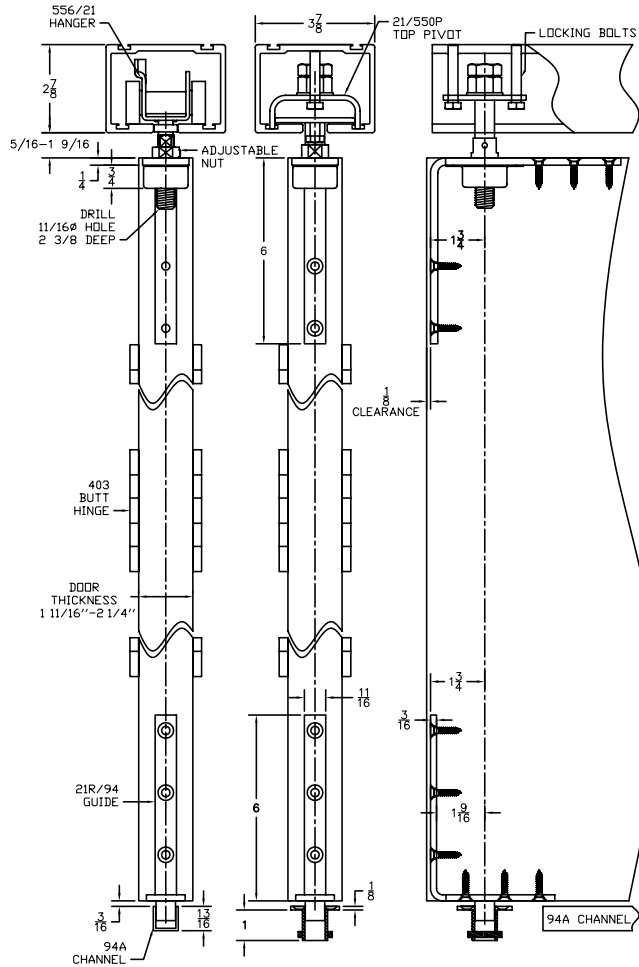
## Flexirol Interior End Fold Series

For Folding Doors and Room Dividers up to 275 lbs.

For Doors up to 48" Wide x 177" Tall

Manufactured by P.C. Henderson

**HENDERSON**



For top-hung, heavy weight, interior, partition doors.

Specifically designed for commercial applications requiring end folding doors.

Two Panel: plan 1

### FIF2/275A Kits Include:

- 1 ea 550A Mill Finished Aluminum Track
- 1 ea 21/550/P Top and Bottom Pivot Assembly
- 1 ea 556/21 Zinc Coated Steel Wheels, Pendant Bolt, Body, and Door Bracket
- 1 ea 21R/94 Bottom Guide
- 4 ea 403/2 Aluminum Alloy Butt Hinges
- 1 ea 94A Aluminum Guide Channel

Four Panel: plan 2

### FIF4/275A Kits Include:

- 1 ea 550A Mill Finished Aluminum Track
- 2 ea 21/550/P Top and Bottom Pivot Assembly
- 2 ea 556/21 Zinc Coated Steel Wheels, Pendant Bolt, Body, and Door Bracket
- 2 ea 21R/94 Bottom Guide
- 8 ea 403/2 Aluminum Alloy Butt Hinges
- 1 ea 94A Aluminum Guide Channel

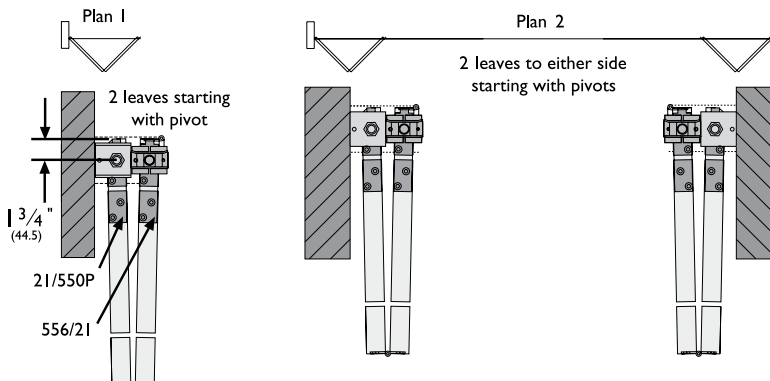
### Standard Kit Sizes

| Part Number  | Material | # of Panels | Track Length |
|--------------|----------|-------------|--------------|
| FIF2/275A/6  | Aluminum | 2           | 72"          |
| FIF2/275A/8  | Aluminum | 2           | 96"          |
| FIF4/275A/6  | Aluminum | 4           | 72"          |
| FIF4/275A/8  | Aluminum | 4           | 96"          |
| FIF4/275A/12 | Aluminum | 4           | 2 @ 72"      |
| FIF4/275A/16 | Aluminum | 4           | 2 @ 96"      |

Options: See page SF-25

Threshold 971A

Note: Allow 1/2" clearance at pivot jambs and 1/8" in between hinged doors if hinges are semi mortised. Allow 3/16" between hinged doors if hinges are surface mounted. Allow 1/8" between doors meeting in the center of the opening on FIF4 kits and allow 1/8" between wall and end panel on FIF2 kits.



## Options & Accessories

A visual guide to various parts

### Mounting Brackets



**281**

(Sold in 5 packs, 2815)

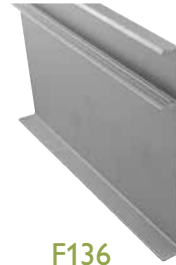


**2812**

### Fascia



**F134**



**F136**

### End plates



**K134EP**

### Stops



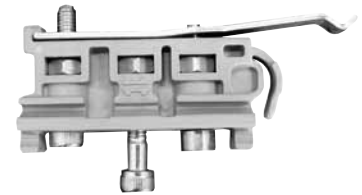
**286**



**287HD**



**PFBS**



**601H**

### Guides



**102N**



**PFBG-4**



**PFBG-8**



**106R/94**



**106N/94**

### Bottom Channel

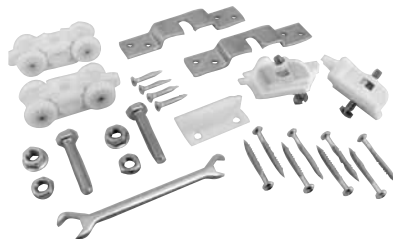


**102WA**

### Hardware Kits



**Folding  
HF2/100 Pack**



**Sliding  
H100/200 Pack**



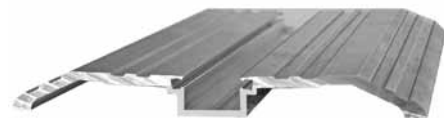
**94A**



**2802BT**



**Glass Clamp Kit  
8/10/75 Husky**



**971A**





# RESIDENTIAL THRESHOLDS

## CONTENTS:

|   |           |
|---|-----------|
| Interlocking Thresholds.....                    | RT-2      |
| Threshold Caps.....                             | RT-2      |
| Interlocking Thresholds - Water Return .....    | RT-3      |
| Hooks.....                                      | RT-3      |
| Residential Thresholds - Water Return .....     | RT-4      |
| Adjustable Vinyl Top Thresholds.....            | RT-4      |
| Vinyl Top Thresholds.....                       | RT-4-RT-5 |
| Residential Saddles.....                        | RT-5      |
| Bumper Thresholds For Outswing Doors.....       | RT-6      |
| Squareback Thresholds.....                      | RT-7      |
| Oak Thresholds.....                             | RT-7-RT-8 |
| Sill Nosings.....                               | RT-8      |
| Adjustable Aluminum Top Sills.....              | RT-9      |
| Adjustable Oak Top Sills.....                   | RT-10     |
| Outswing Adjustable Oak Top Sills.....          | RT-11     |
| Residential All-Aluminum Adjustable Sills ..... | RT-11     |
| Residential All-Aluminum Fixed Sills.....       | RT-11     |
| Fixed Vinyl Top Residential Sills.....          | RT-12     |
| Outswing Fixed Bumper Sills .....               | RT-13     |
| Extenders For All Sills.....                    | RT-13     |
| Bumper Thresho-Sills for Outswing Doors .....   | RT-14     |
| Thresho-Sills.....                              | RT-15     |
| Fabrication Options for Thresho-Sills.....      | RT-16     |

## INDEX:

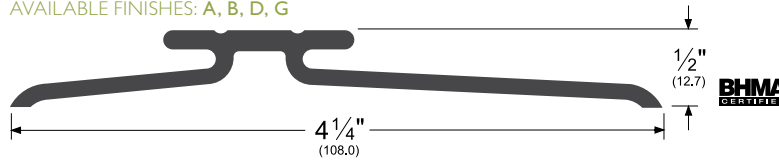
| <u>PRODUCT</u> | <u>PAGE</u> | <u>PRODUCT</u> | <u>PAGE</u> | <u>PRODUCT</u> | <u>PAGE</u> |
|----------------|-------------|----------------|-------------|----------------|-------------|
| 61.....        | RT-3        | 163_M.....     | RT-15       | 249.....       | RT-4        |
| 66.....        | RT-3        | 164_M.....     | RT-15       | 250.....       | RT-4        |
| 67.....        | RT-3        | 165.....       | RT-14       | 324.....       | RT-8        |
| 101.....       | RT-2        | 167.....       | RT-15       | 326.....       | RT-8        |
| 107.....       | RT-2        | 203OAK.....    | RT-7        | 327.....       | RT-8        |
| 108.....       | RT-2        | 203.....       | RT-5        | 2051.....      | RT-6        |
| 110.....       | RT-2        | 204.....       | RT-5        | 2052.....      | RT-7        |
| 114.....       | RT-2        | 205.....       | RT-6        | 2053.....      | RT-7        |
| 115.....       | RT-2        | 204OAK.....    | RT-7        | 2054.....      | RT-7        |
| 120.....       | RT-2        | 206.....       | RT-4        | 2055.....      | RT-7        |
| 121.....       | RT-2        | 207.....       | RT-4        | 2500W.....     | RT-8        |
| 123.....       | RT-2        | 208.....       | RT-5        | 2813.....      | RT-4        |
| 136.....       | RT-3        | 208OAK.....    | RT-7        | 3261.....      | RT-8        |
| 140_M.....     | RT-15       | 212.....       | RT-5        | 74518.....     | RT-11       |
| 142.....       | RT-3        | 213.....       | RT-4        | 75518.....     | RT-11       |
| 145.....       | RT-3        | 214.....       | RT-5        | 84518.....     | RT-12       |
| 146.....       | RT-3        | 218.....       | RT-5        | 85518.....     | RT-12       |
| 147.....       | RT-3        | 218OAK.....    | RT-8        | 94518.....     | RT-9        |
| 149.....       | RT-6        | 219.....       | RT-5        | 95518.....     | RT-9        |
| 153.....       | RT-14       | 219OAK.....    | RT-8        | 93518.....     | RT-10       |
| 155.....       | RT-6        | 231.....       | RT-5        | 94518 Oak..... | RT-10       |
| 160.....       | RT-14       | 233.....       | RT-5        | 95518 Oak..... | RT-10       |
| 160_M.....     | RT-14       | 237.....       | RT-5        | OS95518.....   | RT-11       |
| 161_M.....     | RT-15       | 238.....       | RT-5        | Q107.....      | RT-13       |

## Interlocking Thresholds

- All interlocking thresholds (including water return types) and caps are furnished with #61 hooks and nails
- For alternate hooks, see following page

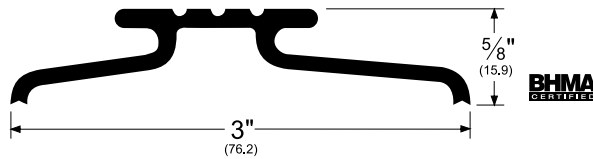
### 114\_

AVAILABLE FINISHES: A, B, D, G



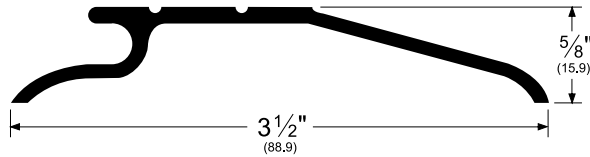
### 121\_

AVAILABLE FINISHES: A, D, G



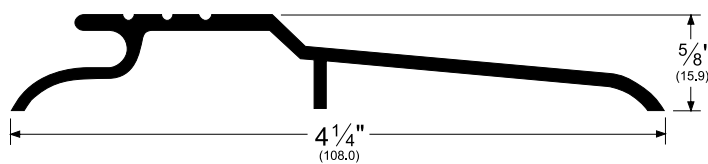
### 110\_

AVAILABLE FINISHES: A, B, D, G



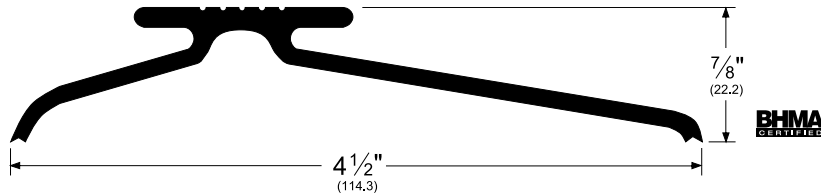
### 115\_

AVAILABLE FINISHES: A, D, G



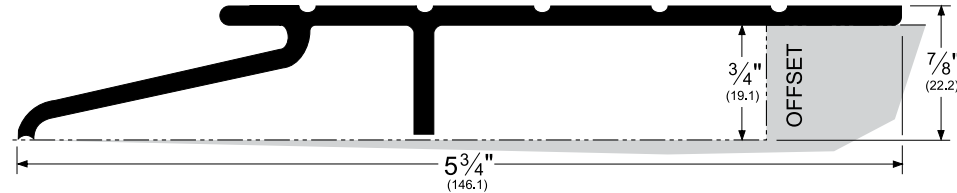
### 120\_

AVAILABLE FINISHES: A, B, D, G



### 123\_

AVAILABLE FINISH: B



NOTE: Products shown in this section may not be drawn to scale.

AVAILABLE FINISHES FOR PRODUCTS SHOWN ON THIS PAGE (see General Information section for finish chart)

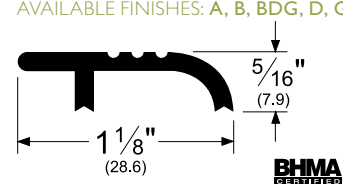
A (Mill Finish Aluminum) B (Mill Finish Extruded Bronze [Brass]) BDG (Bright Dip Gold Anodized) D (Dark Bronze Anodized) G (Gold Anodized)

## Threshold Caps

- Typically mounted on an existing saddle-type threshold to create an interlock with a J-hook or L-hook

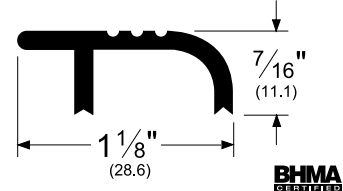
### 101\_

AVAILABLE FINISHES: A, B, BDG, D, G



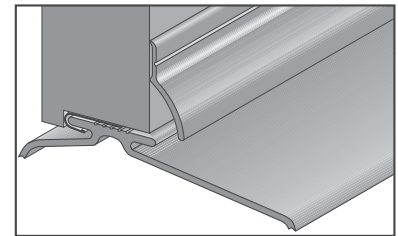
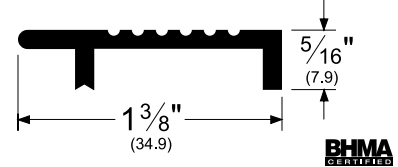
### 107\_

AVAILABLE FINISHES: A, D, G



### 108\_

AVAILABLE FINISH: B

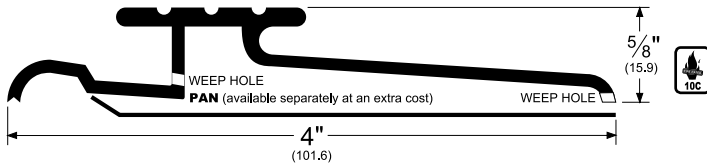


## Interlocking Thresholds - Water Return

- Water return thresholds are designed to catch water which may blow or run under the door and return it to the outside through interior weep holes, down the sloped drain pan, and out exterior weep holes
- Product number for the aluminum water return pan is **PAN**
- Products are furnished with #61 hooks and nails

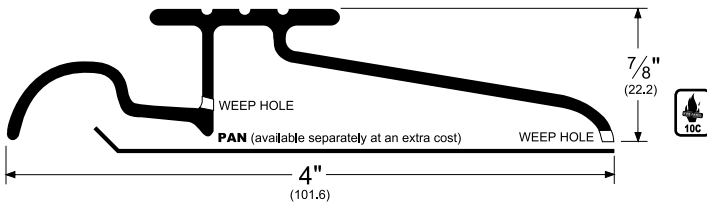
### 142\_

AVAILABLE FINISHES: A, D, G



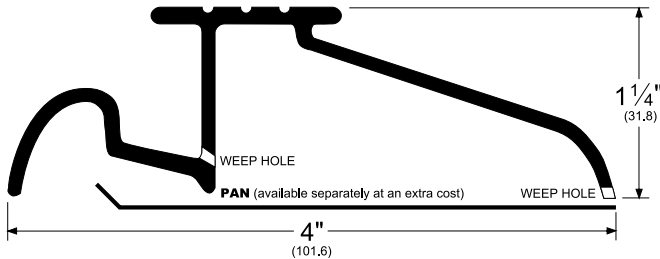
### 145\_

AVAILABLE FINISHES: A, B, BDG, D, G, PW, SN



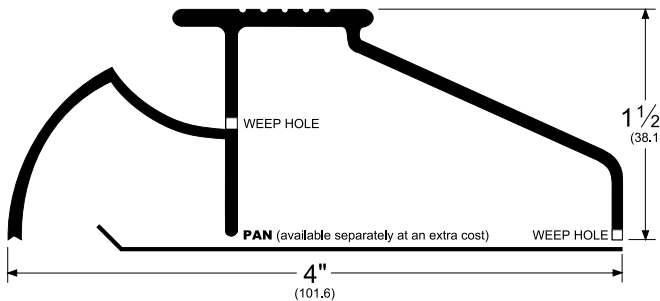
### 146\_

AVAILABLE FINISHES: A, B, BDG, D, G, PW, SN



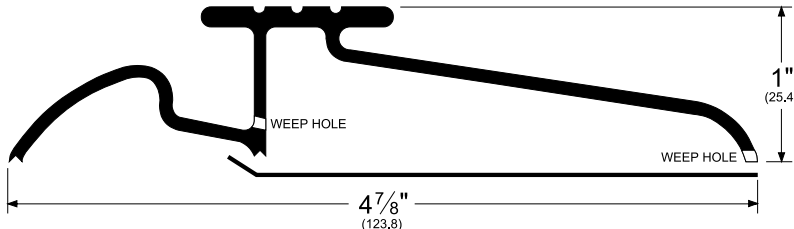
### 147\_

AVAILABLE FINISHES: A, BDG, D, G, SN



### 136\_

AVAILABLE FINISHES: A, B, BDG, D, G, SN



AVAILABLE FINISHES FOR PRODUCTS SHOWN ON THIS PAGE (see General Information section for finish chart)

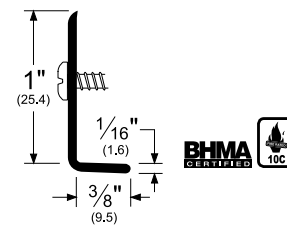
A (Mill Finish Aluminum) B (Mill Finish Extruded Bronze [Brass]) BDG (Bright Dip Gold Anodized) D (Dark Bronze Anodized) G (Gold Anodized)  
PW (Painted White) SN (Satin Nickel Anodized) For Hooks: B (Bronze) Z (Zinc)

## Hooks

- When installed properly on bottom of door, hooks interlock with threshold for a superior seal
- When substituting #66 or #67 hooks for #61 hooks, price will be increased accordingly. Contact PEMKO Customer Service

### 66\_

AVAILABLE FINISHES: A, B, BDG, D, G



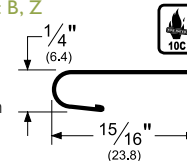
### \_61

AVAILABLE FINISHES: B, Z

.018 bronze

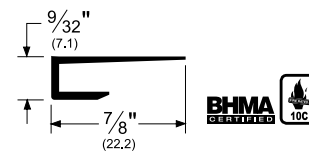
.015 zinc

Note: B61 is roll form bronze metal



### \_67

AVAILABLE FINISHES: A, D, G



NOTE: Products shown in this section may not be drawn to scale.

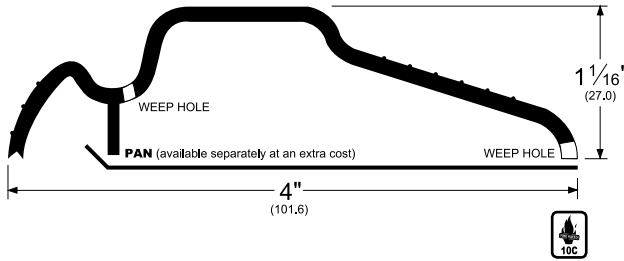
## Residential Thresholds - Water Return

- Water return thresholds are designed to catch water which may blow or run under the door and return it to the outside through interior weep holes, down the sloped drain pan and out exterior weep holes

- Product number for aluminum water return pan is **PAN**

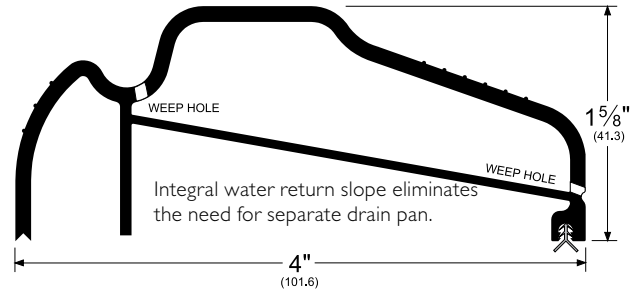
### 213\_

AVAILABLE FINISHES: A, BDG, D, G, SN



### 2813\_

AVAILABLE FINISHES: A, BDG, D, G, PW, SN



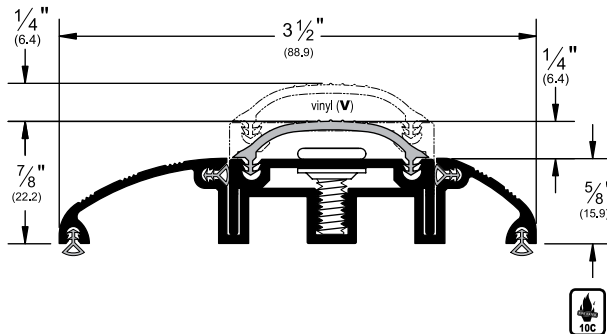
## Adjustable Vinyl Top Thresholds

- Furnished with concealed, weather-sealed mounting screws and adjustment mechanism
- Vinyl seal adjusts to overcome swelling and/or shrinking of door and floor and eliminates need for shoe or sweep

- Furnished with vinyl (V) insert. Gray replacement vinyl is **PV64GR** (see Weatherization Products section)
- Pre-assembled for easy installation and adjustment

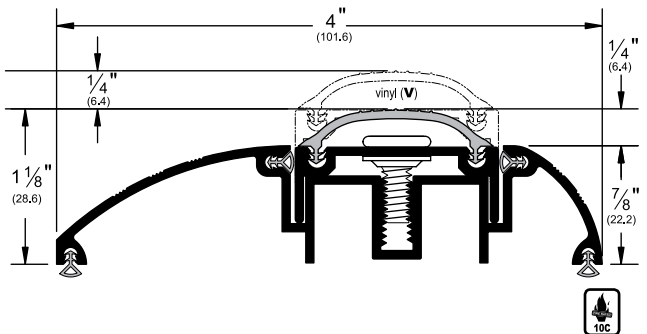
### 249\_V

AVAILABLE FINISHES: A, D  
AVAILABLE LENGTHS: 36", 72"



### 250\_V

AVAILABLE FINISHES: A, D  
AVAILABLE LENGTHS: 36", 72"



## Vinyl Top Thresholds

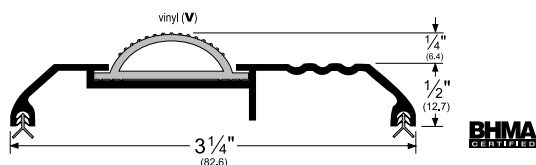
- Vinyl (V) top creates a seal at the bottom of the door, eliminating the need for door sweeps or door shoes

### 206\_V

AVAILABLE FINISHES: A, D, G

Gray replacement vinyl is **PV22GR36**

Black replacement vinyl is **PV22BL36**

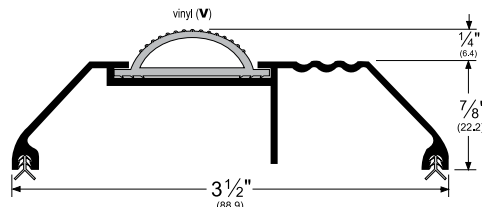


### 207\_V

AVAILABLE FINISHES: A, D, G

Gray replacement vinyl is **PV22GR36**

Black replacement vinyl is **PV22BL36**



NOTE: Products shown in this section may not be drawn to scale.

AVAILABLE FINISHES FOR PRODUCTS SHOWN ON THIS PAGE (see General Information section for finish chart)

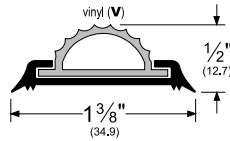
A (Mill Finish Aluminum) BDG (Bright Dip Gold Anodized) D (Dark Bronze Anodized) G (Gold Anodized) PW (Painted White) SN (Satin Nickel Anodized)

## Vinyl Top Thresholds

### 208\_V

AVAILABLE FINISHES: A, D, G

Gray replacement vinyl is PV13GR36

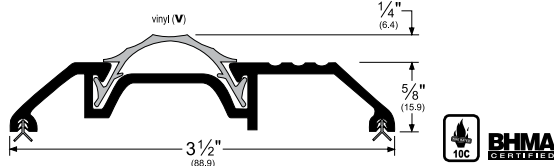


### 203\_V

AVAILABLE FINISHES: A, D, G

Gray replacement vinyl is PV11GR36

Black replacement vinyl is PV11BL36

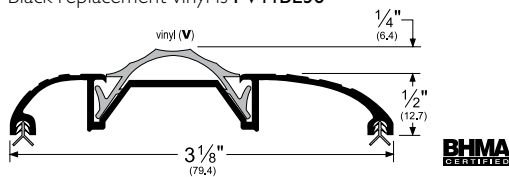


### 237\_V

AVAILABLE FINISHES: A, D, G

Gray replacement vinyl is PV11GR36

Black replacement vinyl is PV11BL36

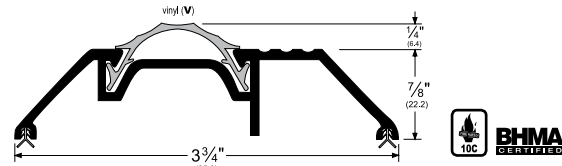


### 204\_V

AVAILABLE FINISHES: A, D, G

Gray replacement vinyl is PV11GR36

Black replacement vinyl is PV11BL36

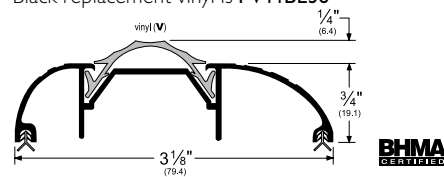


### 238\_V

AVAILABLE FINISHES: A, D, G

Gray replacement vinyl is PV11GR36

Black replacement vinyl is PV11BL36



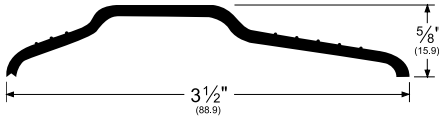
## Residential Saddles

• Use a door bottom shoe or sweep with these thresholds to seal out the elements to seal out the elements

• Made of sturdy extruded aluminum.

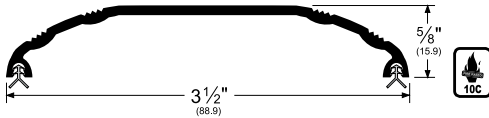
### 212\_

AVAILABLE FINISHES: A, BDG, D, G, PW, SN



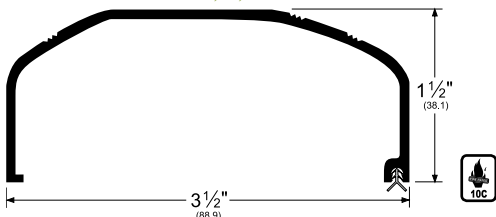
### 218\_

AVAILABLE FINISHES: A, BDG, D, G, PW, SN



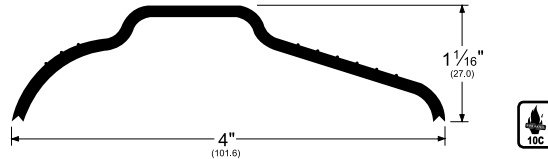
### 231\_

AVAILABLE FINISHES: A, D, G



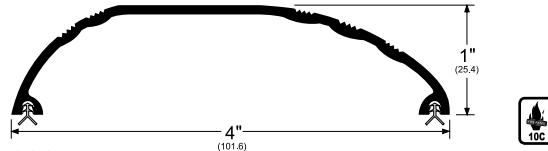
### 214\_

AVAILABLE FINISHES: A, BDG, D, G, PW, SN



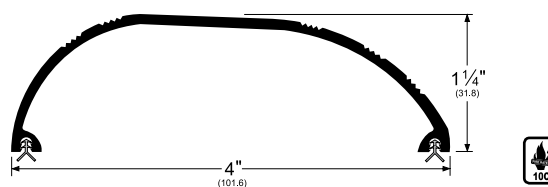
### 219\_

AVAILABLE FINISHES: A, BDG, D, G, PW, SN



### 233\_

AVAILABLE FINISHES: A, BDG, D, G, PW, SN



NOTE: Products shown in this section may not be drawn to scale.

AVAILABLE FINISHES FOR PRODUCTS SHOWN ON THIS PAGE (see General Information section for finish chart)

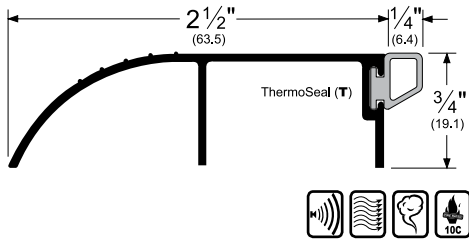
A (Mill Finish Aluminum) BDG (Bright Dip Gold Anodized) D (Dark Bronze Anodized) G (Gold Anodized) PW (Painted White) SN (Satin Nickel Anodized)

## Bumper Thresholds For Outswing Doors

- In the closed position, the door butts up to bumper seal on threshold creating a seal against the elements

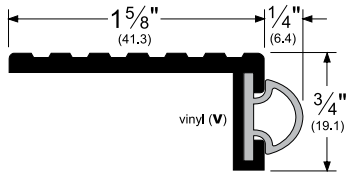
### 149\_T

AVAILABLE FINISHES: A, BDG, D, G, PW, SN



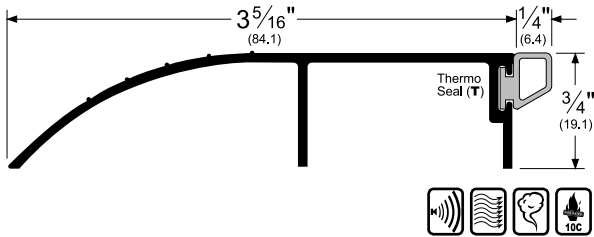
### 155\_V

AVAILABLE FINISHES: A, D, G



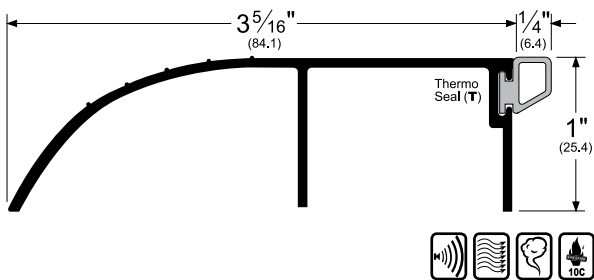
### 205\_T

AVAILABLE FINISHES: A, D, G, PW



### 2051\_T

AVAILABLE FINISHES: A, D, G, PW



NOTE: Products shown in this section may not be drawn to scale.

AVAILABLE FINISHES FOR PRODUCTS SHOWN ON THIS PAGE (see General Information section for finish chart)

A (Mill Finish Aluminum) BDG (Bright Dip Gold Anodized) D (Dark Bronze Anodized) G (Gold Anodized) PW (Painted White) SN (Satin Nickel Anodized)

#### Alternate Insert For 149

##### 149\_P

AVAILABLE FINISHES:  
A, BDG, D, PW, SN



##### 149\_V

AVAILABLE FINISHES:  
A, BDG, D, G, PW, SN



#### Alternate Insert For 205

##### 205\_P

AVAILABLE FINISHES:  
A, D, PW



##### 205\_V

AVAILABLE FINISHES:  
A, D, G, PW



#### Alternate Insert For 2051

##### 2051\_P

AVAILABLE FINISHES:  
A, D, PG, PW



##### 2051\_V

AVAILABLE FINISHES:  
A, D, G, PW



## Squareback Thresholds

- Interior support leg flushes with interior jamb in application, allowing flooring to squarely abut threshold
- Ideal for tall terra cotta, plush carpet or stone paver entry applications for smooth transition
- Gently sloping and ribbed exterior ramp eliminates trip hazard while providing maximum rain guard. (Be sure to caulk all support legs or lay in mastic for best seal)
- Center support leg provides for engineered threshold stability

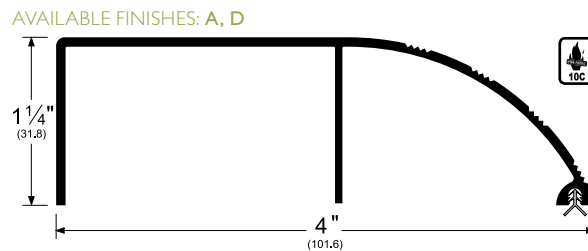
### 2052\_

AVAILABLE FINISHES: A, D



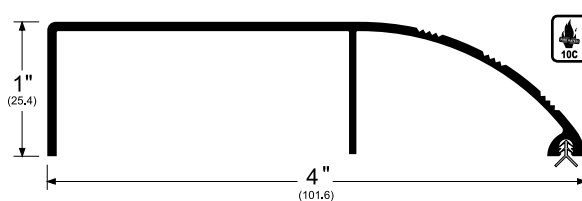
### 2054\_

AVAILABLE FINISHES: A, D



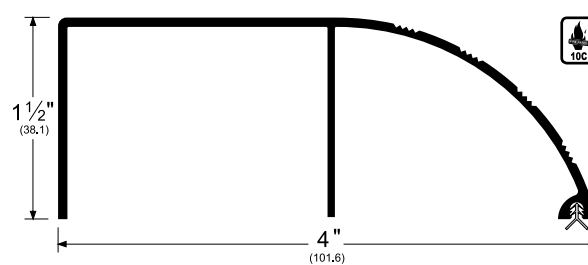
### 2053\_

AVAILABLE FINISHES: A, D



### 2055\_

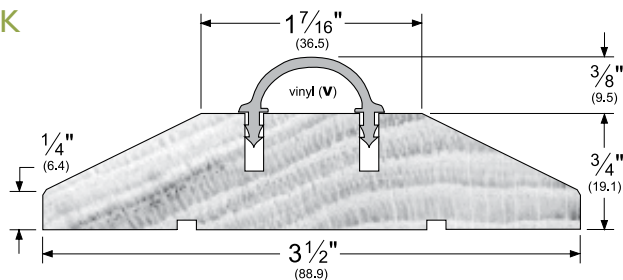
AVAILABLE FINISHES: A, BDG, D



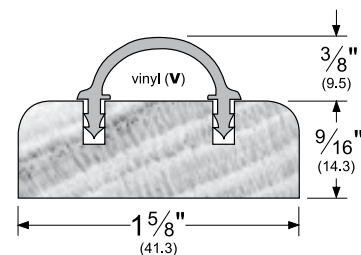
## Oak Thresholds

- Natural unfinished oak provides beauty as well as thermal benefits
- Vinyl-top creates a seal at bottom of door, eliminating the need for door sweeps or door shoes
- Tan replacement vinyl for Oak Vinyl Top Thresholds is **PV83TN** (see Weatherization Products section)
- Available in 36" or 72" lengths only

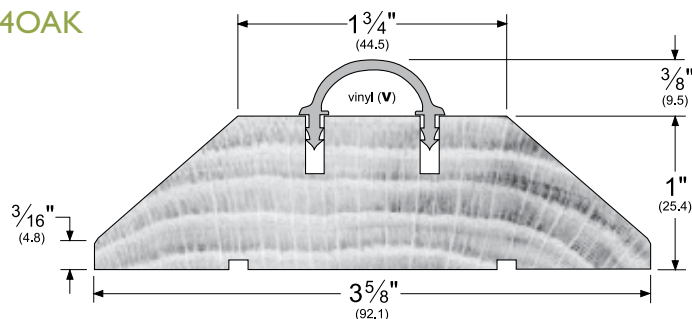
### 203OAK



### 208OAK



### 204OAK

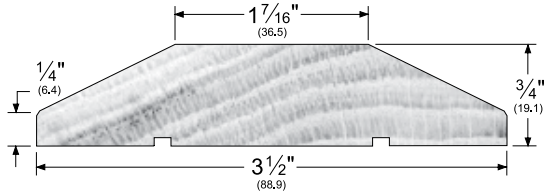


NOTE: Products shown in this section may not be drawn to scale.

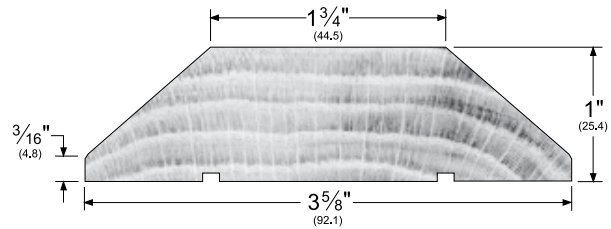
AVAILABLE FINISHES FOR PRODUCTS SHOWN ON THIS PAGE (see General Information section for finish chart)  
A (Mill Finish Aluminum) BDG (Bright Dip Gold Anodized) D (Dark Bronze Anodized) OAK (Natural Unfinished Oak)

## Oak Thresholds (Cont.)

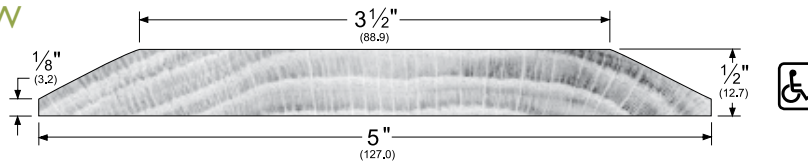
### 218OAK



### 219OAK



### 2500W

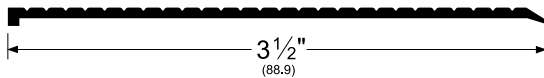


## Sill Nosings

- Used to cover concrete or wood sill
- Provides an attractive finished look to new and old door openings, covering defects in existing sill
- Sill nosings are held in place with mastic and pressure from threshold placement
- Extenders are available for jambs as wide as 8 3/4"

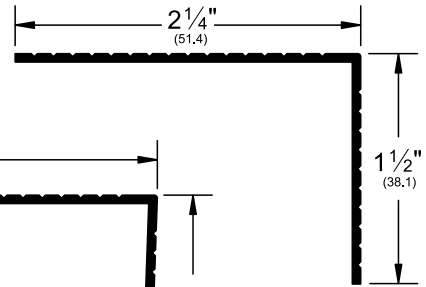
### 324\_

AVAILABLE FINISHES: A, B, BDG, D, G, PW, SN



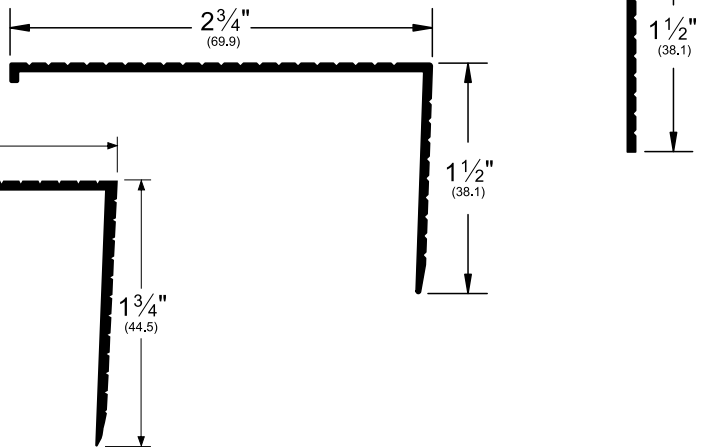
### 3261\_

AVAILABLE FINISHES: A, D, G, SN



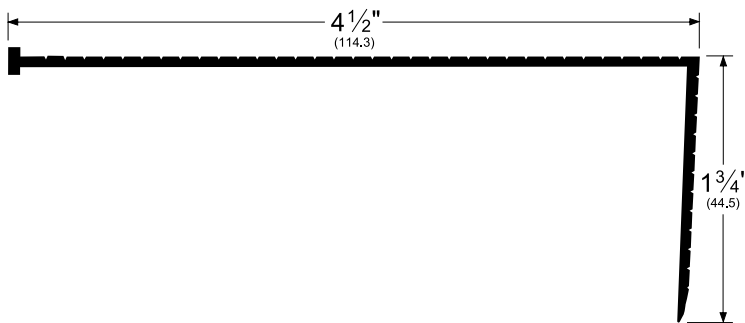
### 326\_

AVAILABLE FINISHES:  
A, B, BDG, D, G, PW, SN



### 327\_

AVAILABLE FINISHES: A, BDG, D, G, PW, SN



NOTE: Products shown in this section may not be drawn to scale.

AVAILABLE FINISHES FOR PRODUCTS SHOWN ON THIS PAGE (see General Information section for finish chart)

A (Mill Finish Aluminum) B (Mill Finish Extruded Bronze [Brass]) BDG (Bright Dip Gold Anodized) D (Dark Bronze Anodized) G (Gold Anodized)  
OAK (Natural Unfinished Oak) PW (Painted White) SN (Satin Nickel Anodized)



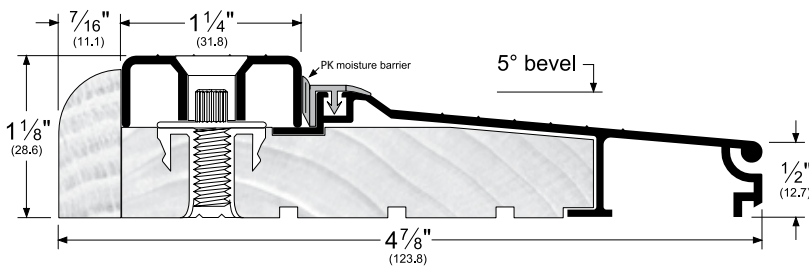
## Residential Millwork Sills

- Sills for use with standard  $4\frac{5}{8}$ " jamb width with easy snap-on extension for jambs as wide as  $8\frac{3}{4}$ "
- For fabrication options for adjustable or fixed substrate sills, such as honing or sidelite mullion notching, contact PEMKO Customer Service
- Residential Sills are designed specifically for the pre-hung door market. They are furnished un-drilled and without screws or nails
- Adjustable up to  $\frac{1}{4}$ " to compensate for uneven door bottoms and sub-sill level changes. Two-part zinc plated steel stud shoulder screw joins a long-barreled, zinc plated steel T-nut for superior stability and long-lasting reliability
- PemkoPrene (PK) moisture barrier prevents water intrusion. Design of PemkoPrene (PK) bulb configuration keeps constant pressure between aluminum cap and aluminum extrusion at any level of adjustment (Bulb shown compressed)
- Available in standard sizes 32.5", 36.5", and 73.75"

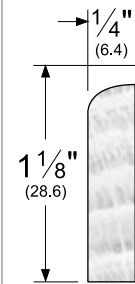
## Adjustable Aluminum Top Sills

### 94518\_

AVAILABLE FINISHES: A, BDG, D, SN

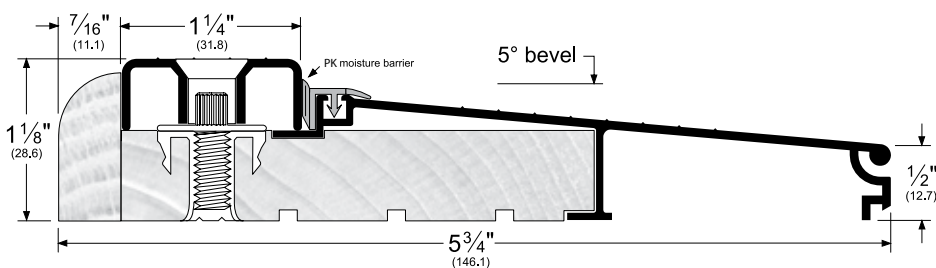


Add "NT" to the end of product number to order narrow trim (i.e. 94518A36.5NT). Full width of sill changes from  $4\frac{7}{8}$ " to  $4\frac{1}{4}$ ".

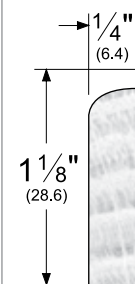


### 95518\_

AVAILABLE FINISHES: A, BDG, D, SN



Add "NT" to the end of product number to order narrow trim (i.e. 95518A36.5NT). Full width of sill changes from  $5\frac{3}{4}$ " to  $5\frac{1}{4}$ ".



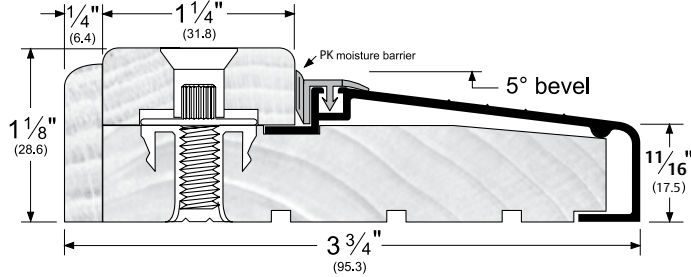
NOTE: Products shown in this section may not be drawn to scale.

AVAILABLE FINISHES FOR PRODUCTS SHOWN ON THIS PAGE (see General Information section for finish chart)  
A (Mill Finish Aluminum) BDG (Bright Dip Gold Anodized) D (Dark Bronze Anodized) SN (Satin Nickel Anodized)

## Adjustable Oak Top Sills

### 93518\_W

AVAILABLE FINISHES: A, D



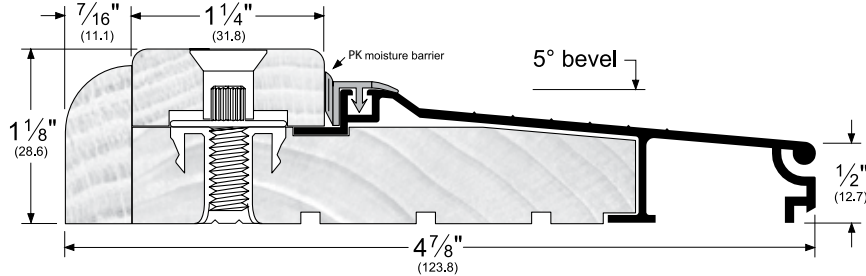
Available with optional Synthetic Wood Substrate

### 93518\_W\_SYN

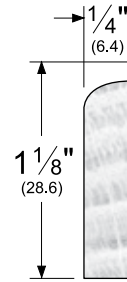
AVAILABLE FINISH: A, D

### 94518\_W

AVAILABLE FINISHES: A, BDG, D, SN

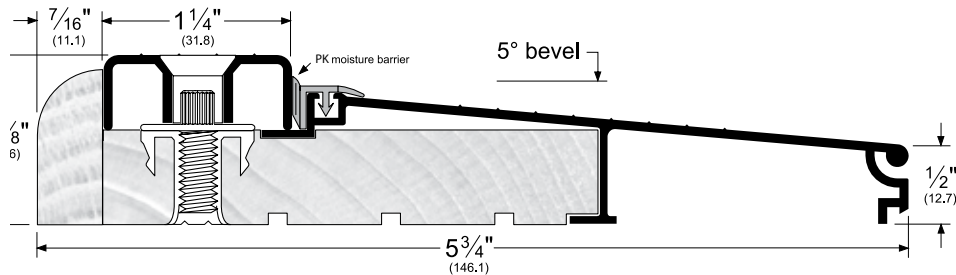


Add "NT" to the end of product number to order narrow trim (i.e. **94518AW36.5NT**). Full width of sill changes from 4 7/8" to 4 1/4".

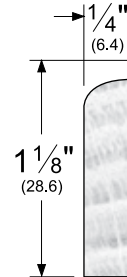


### 95518\_W

AVAILABLE FINISHES: A, BDG, D, SN



Add "NT" to the end of product number to order narrow trim (i.e. **95518AW36.5NT**). Full width of sill changes from 5 3/4" to 5 1/4".



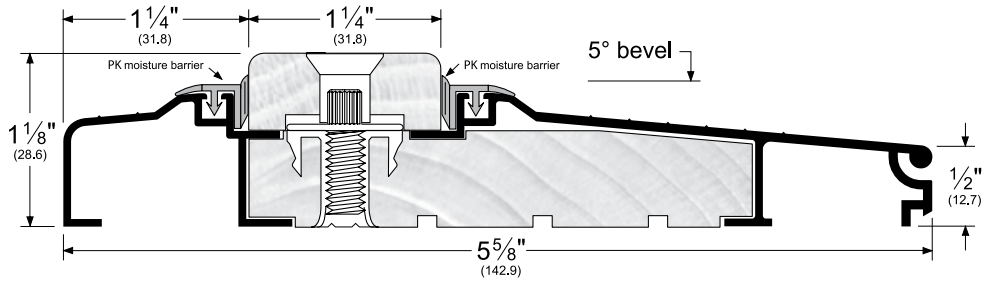
NOTE: Products shown in this section may not be drawn to scale.

AVAILABLE FINISHES FOR PRODUCTS SHOWN ON THIS PAGE (see General Information section for finish chart)  
A (Mill Finish Aluminum) BDG (Bright Dip Gold Anodized) D (Dark Bronze Anodized) SN (Satin Nickel Anodized)

## Outswing Adjustable Oak Top Sills

### OS95518\_W

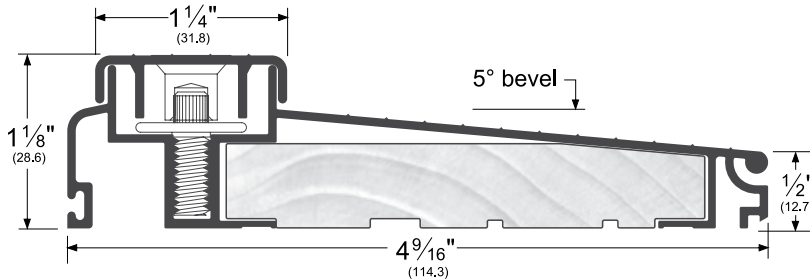
AVAILABLE FINISHES: A, BDG, D



## Residential All-Aluminum Adjustable Sills

### 74518\_

AVAILABLE FINISHES: A, BDG, D, SN



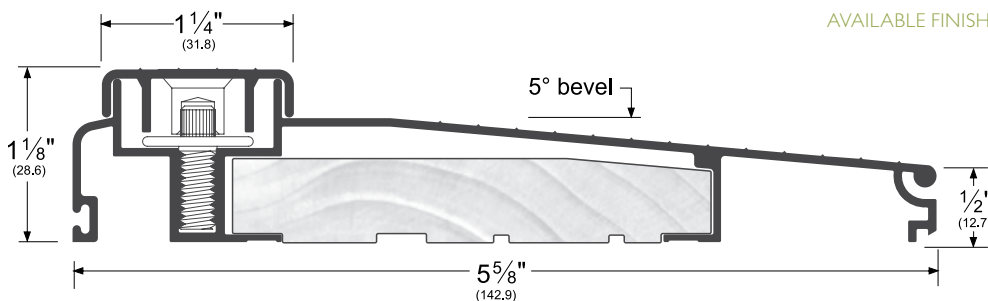
Available with optional Synthetic Wood Substrate

### 74518\_SYN

AVAILABLE FINISHES: A, BDG, D, SN

### 75518\_

AVAILABLE FINISHES: A, BDG, D, SN



Available with optional Synthetic Wood Substrate

### 75518\_SYN

AVAILABLE FINISHES: A, BDG, D, SN

NOTE: Products shown in this section may not be drawn to scale.

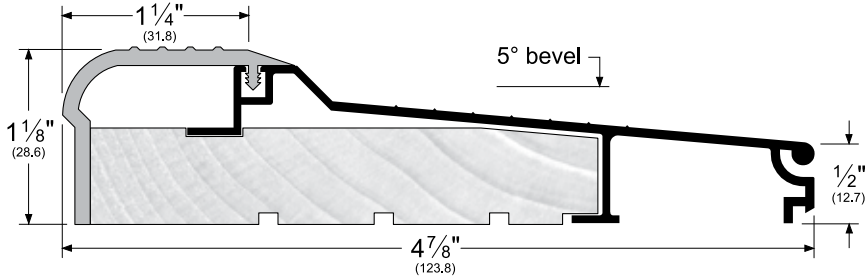
AVAILABLE FINISHES FOR PRODUCTS SHOWN ON THIS PAGE (see General Information section for finish chart)  
A (Mill Finish Aluminum) BDG (Bright Dip Gold Anodized) D (Dark Bronze Anodized) SN (Satin Nickel Anodized)

## Fixed Vinyl-Top Residential Sills

- Fixed rigid vinyl (V) cap includes ratchet lock feature which prevents moisture penetration and securely fastens vinyl to aluminum extrusion

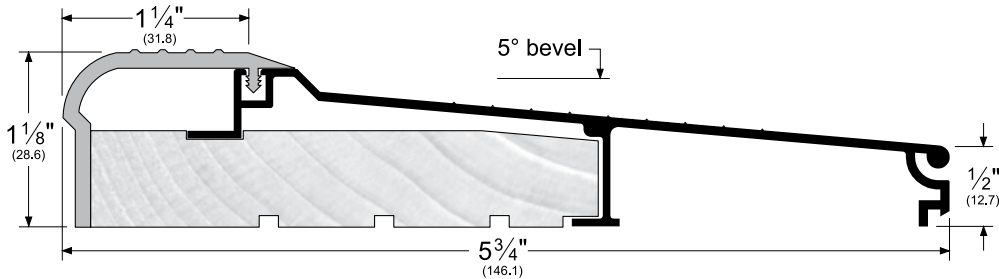
### N84518\_V

AVAILABLE FINISHES: A, D, SN



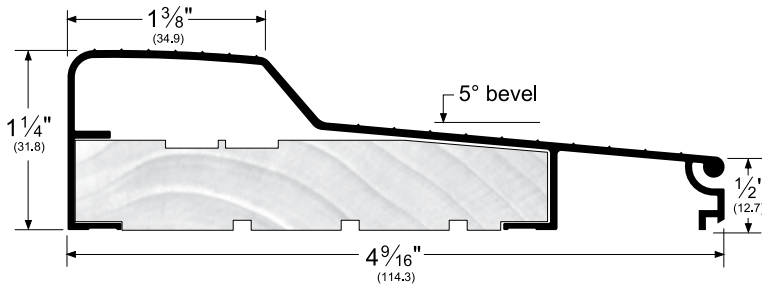
### N85518\_V

AVAILABLE FINISHES: A, D



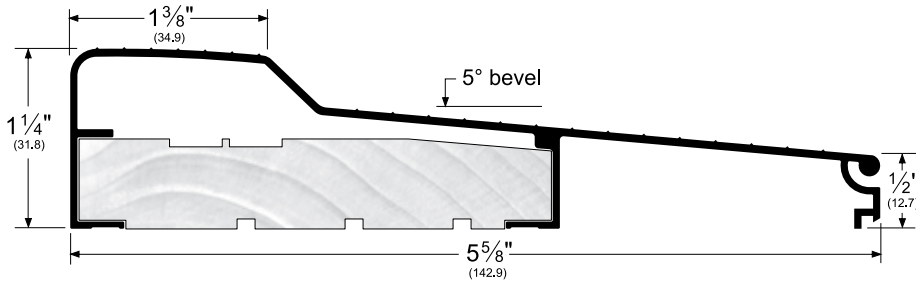
### 84514\_

AVAILABLE FINISHES: A, BDG, D, SN



### 85514\_

AVAILABLE FINISHES: A, BDG, D, SN



NOTE: Products shown in this section may not be drawn to scale.

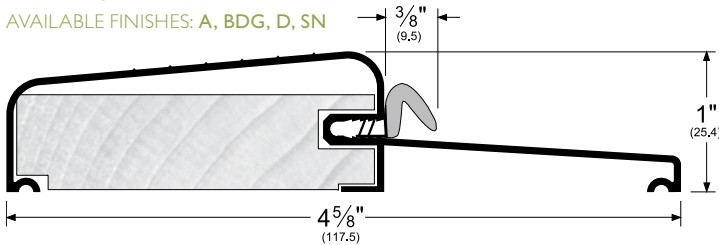
AVAILABLE FINISHES FOR PRODUCTS SHOWN ON THIS PAGE (see General Information section for finish chart)  
A (Mill Finish Aluminum) BDG (Bright Dip Gold Anodized) D (Dark Bronze Anodized) SN (Satin Nickel Anodized)

## Outswing Fixed Bumper Sills

- High dam design restricts water intrusion
- Supplied with high quality Q103 (Q) kerf-in seal
- Extendable to interior

### 8451\_Q

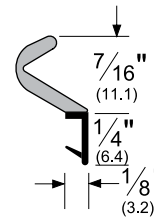
AVAILABLE FINISHES: A, BDG, D, SN



Alternate Insert for 8451 and 8452; available upon request

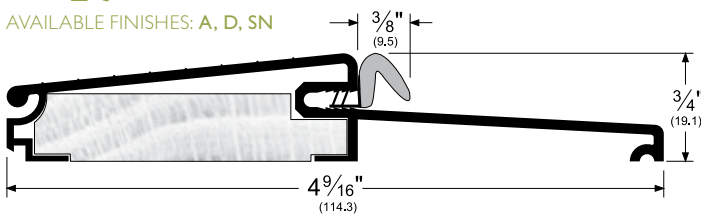
### Q107\_

AVAILABLE FINISHES: BL, W



### 8452\_Q

AVAILABLE FINISHES: A, D, SN



Available with optional Synthetic Wood Substrate

### 8452\_Q\_SYN

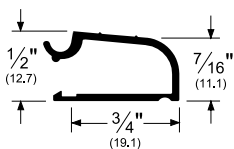
AVAILABLE FINISHES: A, D, SN

## Extenders For All Residential Sills

- Extenders fit all 4 7/8" wide and 5 3/4" wide extrusions

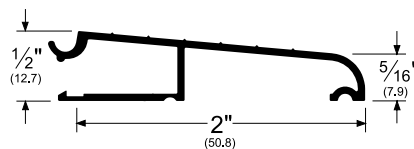
### EXT3/4\_

AVAILABLE FINISHES  
A, BDG, D, SN



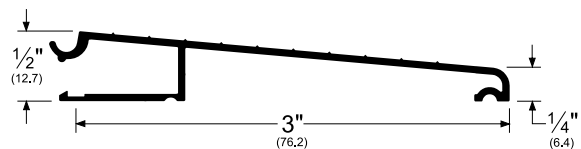
### EXT2\_

AVAILABLE FINISHES:  
A, BDG, D, SN



### EXT3\_

AVAILABLE FINISHES:  
A, BDG, D, SN



NOTE: Products shown in this section may not be drawn to scale.

AVAILABLE FINISHES FOR PRODUCTS SHOWN ON THIS PAGE (see General Information section for finish chart)  
A (Mill Finish Aluminum) BDG (Bright Dip Gold Anodized) D (Dark Bronze Anodized) SN (Satin Nickel Anodized)

## Bumper Thresho-Sills For Outswing Doors

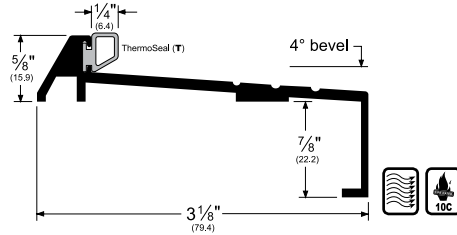
- Please specify whether the part is to be used for a standard threshold or for a prehung application. For a standard threshold application, the part is supplied with 3 holes on center and 1/2" over net length

(less than 48") or 1" over net length (48" and over). For a prehung application, the part is supplied according to fabrication options for thresho-sills - **STYLE 4** only (see page RT-16).

### 165\_T

AVAILABLE FINISHES:  
A, D

Allow 3/8" door clearance.



#### Alternate Insert For 165

### 165\_V

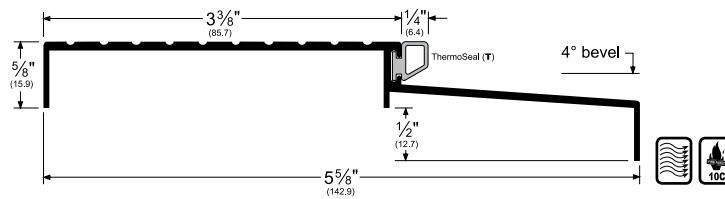
AVAILABLE FINISHES:  
A, D



### 153\_T

AVAILABLE FINISHES:  
A, BDG, D, G, SN

Allow 3/8" door clearance



#### Alternate Insert For 153

### 153\_V

AVAILABLE FINISHES:  
A, BDG, D, G, SN

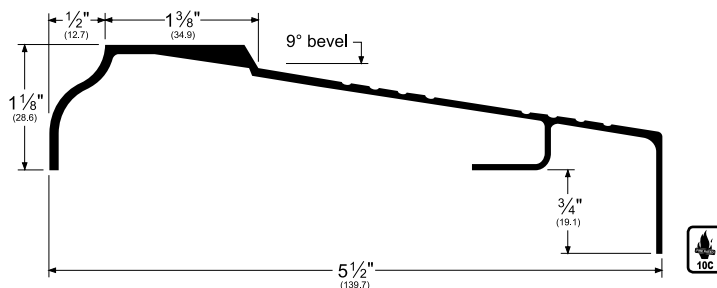


## Thresho-Sills

- The following products are designed specifically for the prehung door market
- See fabrication options for thresho-sills (see page RT-16) for complete information and drawings regarding milling, drilling and notching

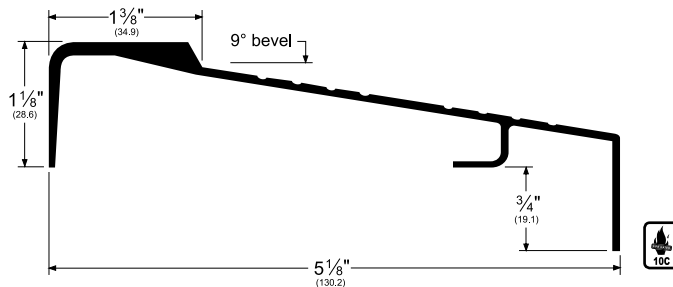
### 160\_

AVAILABLE FINISHES: A, D, G, PW



### 160\_M

AVAILABLE FINISHES: A, BDG, D, G, PW, SN



NOTE: Products shown in this section may not be drawn to scale.

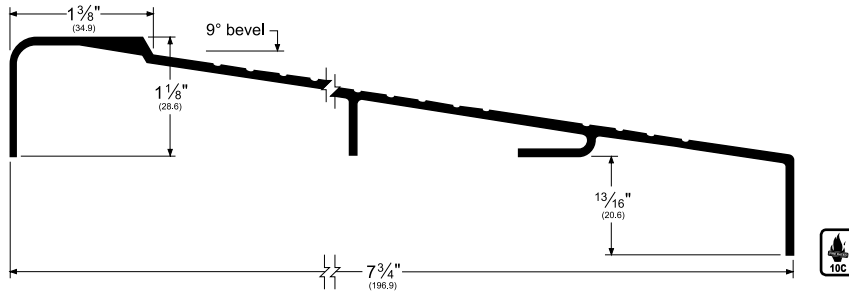
AVAILABLE FINISHES FOR PRODUCTS SHOWN ON THIS PAGE (see General Information section for finish chart)

A (Mill Finish Aluminum) BDG (Bright Dip Gold Anodized) D (Dark Bronze Anodized) G (Gold Anodized)  
PW (Painted White) SN (Satin Nickel Anodized)

## Thresho-Sills (Cont.)

### 161\_M

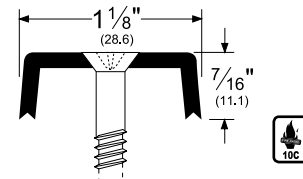
AVAILABLE FINISHES: A, BDG, D, G, PW, SN



### 167\_

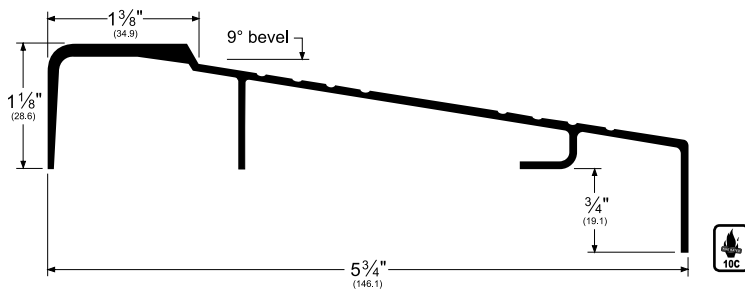
AVAILABLE FINISHES: A, D, G

- Riser fastens to top of any thresho-sill
- Supplied with both wood and sheet metal screws
- Specify NET length when ordering



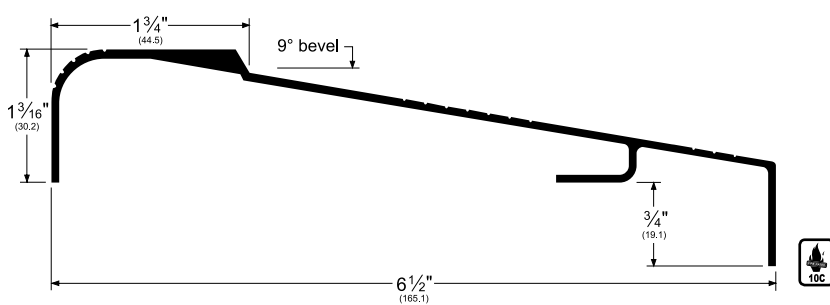
### 163\_M

AVAILABLE FINISHES: A, BDG, D, G, PW, SN



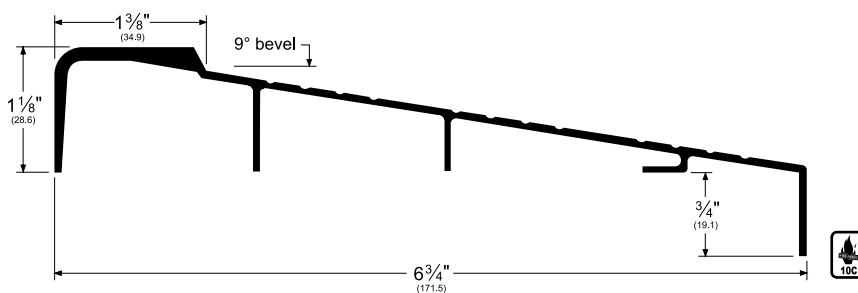
### 164\_M

AVAILABLE FINISHES: A, BDG, D, G, PW



### 140\_M

AVAILABLE FINISHES: A, BDG, D, G, PW, SN



NOTE: Products shown in this section may not be drawn to scale.

AVAILABLE FINISHES FOR PRODUCTS SHOWN ON THIS PAGE (see General Information section for finish chart)

A (Mill Finish Aluminum) BDG (Bright Dip Gold Anodized) D (Dark Bronze Anodized) G (Gold Anodized) PW (Painted White) SN (Satin Nickel Anodized)

## Fabrication Options For Thresho-Sills

### STYLE 3A (standard mill)

- **Fabrication includes:** 3/4" mill each end, 3 nail holes at each end, and one center screw
- **Preparation:** Cut jamb 3/4" at angle and height of threshold. Nail threshold to underside of jamb
- **Ordering:** Add 1 1/2" to net opening dimension and designate **Style 3A** by adding "M" following product number

(Example: A 160\_M profile for a 36" net opening with a **STYLE 3A** fabrication = 160\_MM37.5)

### STYLE 3B (modification of STYLE 3A)

- **Fabrication includes:** 3/8" mill each end, 3 nail holes at each end, and one center screw
- **Preparation:** Cut jamb 3/8" at angle and height of threshold. Nail threshold to underside of jamb
- **Ordering:** Add 3/4" to net opening dimension and designate **STYLE 3B** by adding "M" following product number

(Example: A 160\_M profile for a 36" net opening with a **STYLE 3B** fabrication = 160\_MM36.75)

### STYLE 3C (modification of STYLE 3A)

- **Fabrication includes:** 1/2" mill each end, 3 nail holes at each end, and one center screw
- **Preparation:** Cut jamb 1/2" at angle and height of threshold. Nail threshold to underside of jamb
- **Ordering:** Add 1" to net opening dimension and designate **STYLE 3C** by adding "M" following product number

(Example: A 160\_M profile for a 36" net opening with a **STYLE 3C** fabrication = 160\_MM37)

### STYLE 4

- **Fabrication includes:** 2 nail holes at each end and one center screw
- **Preparation:** Rabbet stop to angle and height of threshold. Nail threshold to underside of stop
- **Ordering:** Order net opening dimension and designate **STYLE 4** by adding "H" following the product number

(Example: A 160\_M profile for a 36" net opening with a **STYLE 4** fabrication = 160\_MH36)

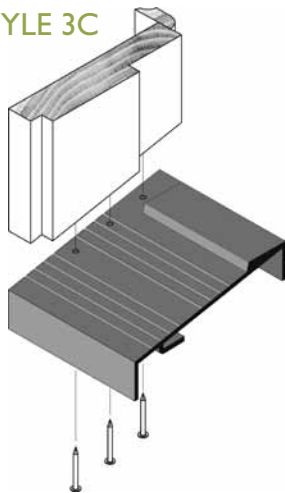
### L-NOTCH

- Accommodates trim molding by notching corner of product
- **Fabrication:** Customer must supply diagram indicating location and dimensions of **L-NOTCH** (see drawing)
- PEMKO Customer Service can provide form to fill in location and dimensions
- **Ordering:** Specify "L-NOTCH". After fabrication, orders are non-cancellable and non-returnable

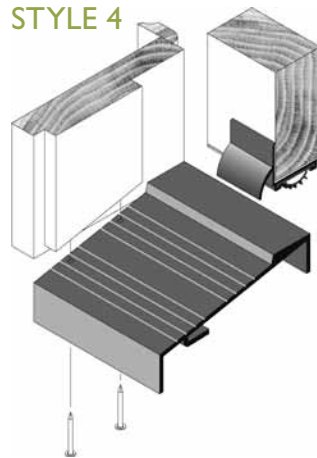
### U-NOTCH

- For use with pre-installed door frames, to "drop-in" around door frame stops
- **Fabrication:** Customers must supply diagram indicating location and dimensions of **U-NOTCH** cut-out
- PEMKO Customer Service can provide form to fill in location and dimensions
- **Ordering:** Specify "U-NOTCH". After fabrication, orders are non-cancellable and non-returnable

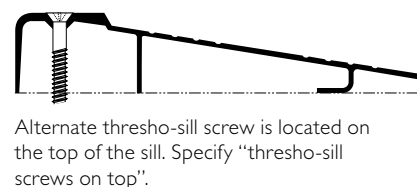
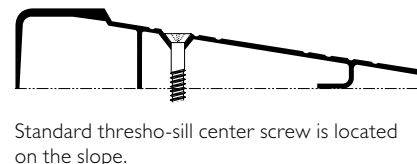
### STYLE 3A STYLE 3B STYLE 3C



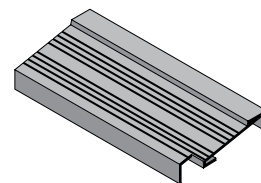
### STYLE 4



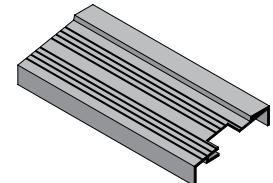
### Screw Location



### L-NOTCH



### U-NOTCH







## FLOOR MOLDING, TRIM & HANDYSHAPES™

### CONTENTS:

|                               |      |
|-------------------------------|------|
| Carpet Bar - Standard.....    | FM-2 |
| Seam Binding.....             | FM-2 |
| Stair Nosing.....             | FM-2 |
| Edging.....                   | FM-2 |
| Coves.....                    | FM-2 |
| Oak Floor Edging.....         | FM-3 |
| Oak Seam Binding.....         | FM-3 |
| Oak Carpet Trim.....          | FM-3 |
| HandyShapes™ - Flat Bar.....  | FM-4 |
| HandyShapes™ - Angles.....    | FM-4 |
| HandyShapes™ - U-Channel..... | FM-4 |

### INDEX:

| PRODUCT    | PAGE | PRODUCT    | PAGE | PRODUCT   | PAGE |
|------------|------|------------|------|-----------|------|
| 2120.....  | FM-2 | 2300W..... | FM-3 | 2913..... | FM-4 |
| 2131.....  | FM-2 | 2350W..... | FM-3 | 2917..... | FM-4 |
| 2132.....  | FM-2 | 2408.....  | FM-2 | 2925..... | FM-4 |
| 2132W..... | FM-3 | 2500W..... | FM-3 | 2933..... | FM-4 |
| 2133W..... | FM-3 | 2604.....  | FM-2 | 2945..... | FM-4 |
| 2134.....  | FM-2 | 2604W..... | FM-3 | 2949..... | FM-4 |
| 2175W..... | FM-3 | 2897.....  | FM-4 | 2953..... | FM-4 |
| 2218.....  | FM-2 | 2899.....  | FM-4 |           |      |
| 2219.....  | FM-2 | 2901.....  | FM-4 |           |      |
| 2219W..... | FM-3 | 2905.....  | FM-4 |           |      |
| 2250W..... | FM-3 | 2909.....  | FM-4 |           |      |

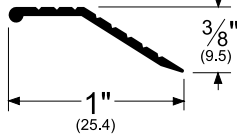
## Carpet Bar - Standard

- Carpet Bars protect and provide a neat trim for the edge of carpet

### 2131\_

AVAILABLE FINISHES: **A, G**  
AVAILABLE LENGTHS: 36", 72"

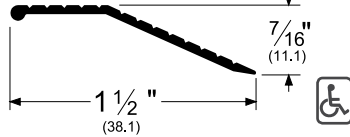
Provided with drive nails



### 2132\_

AVAILABLE FINISHES: **A, G**  
AVAILABLE LENGTHS: 36", 72"

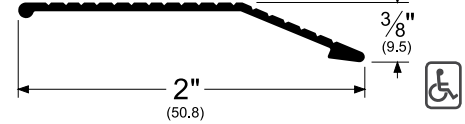
Provided with drive nails



### 2134\_

AVAILABLE FINISHES: **A, G**  
AVAILABLE LENGTHS: 36", 72"

Provided with drive nails



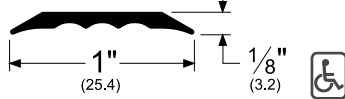
## Seam Binding

- Covers seams and joins in linoleum, tile, carpet, and other floor coverings

### 2218\_

AVAILABLE FINISHES: **A, G**  
AVAILABLE LENGTHS: 36", 72"

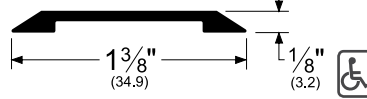
Provided with drive nails



### 2219\_

AVAILABLE FINISHES: **A, G**  
AVAILABLE LENGTHS: 36", 72"

Provided with drive nails



## Stair Nosing

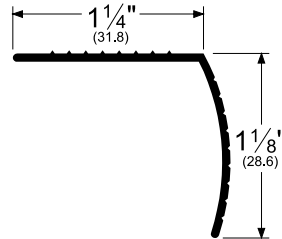
- Protects and improves the appearance of stair edges

### 2120\_

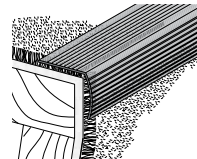
AVAILABLE FINISHES: **A, G**  
AVAILABLE LENGTHS: 36", 72"

Provided with drive nails

Ribbed top surface and fluted face



### Typical Installation



2120\_ shown installed

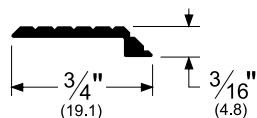
## Edging

- Protects and provides neat trim for edge of linoleum, tile, and other floor coverings

### 2604\_

AVAILABLE FINISHES: **A, G**  
AVAILABLE LENGTHS: 36", 72"

Provided with screw nails



### Typical Installation



2604\_ shown installed.

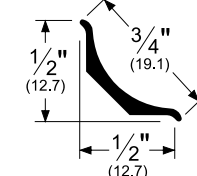
## Coves

- Provides a concave surface for interior corners for smooth appearance and easy cleaning

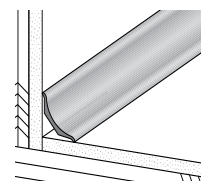
### 2408\_

AVAILABLE FINISH: **C**  
AVAILABLE LENGTH: 72"

Provided with screw nails



### Typical Installation



2408\_ on wall.

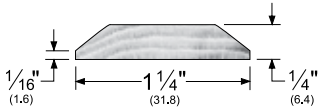
AVAILABLE FINISHES FOR PRODUCTS SHOWN ON THIS PAGE (see General Information section for finish chart)  
**A** (Mill Finish Aluminum) **C** (Clear Anodized) **G** (Gold Anodized)

## Oak Seam Binding

- Oak Seam Binding covers seams between wood, tile, linoleum and other surfaces

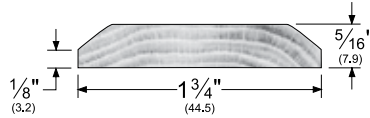
### 2219W

AVAILABLE LENGTHS: 36", 72"



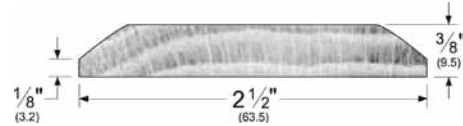
### 2175W

AVAILABLE LENGTHS: 36", 72"



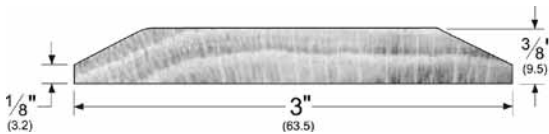
### 2250W

AVAILABLE LENGTHS: 36", 72"



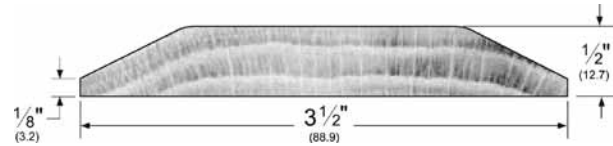
### 2300W

AVAILABLE LENGTHS: 36", 72"



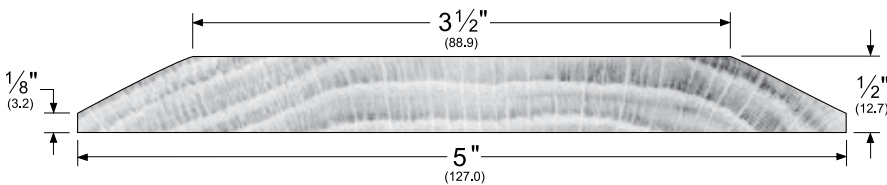
### 2350W

AVAILABLE LENGTH: 36"



### 2500W

AVAILABLE LENGTHS: 36", 72"

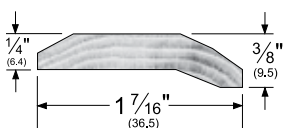


## Oak Carpet Trim

- Oak Carpet Trim covers, protects and beautifies carpet edges
- Also covers seams between two surfaces of different height
- Oak is provided unfinished with countersunk holes and brass plated screws

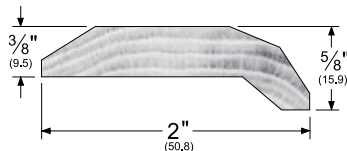
### 2132W

AVAILABLE FINISH: **W**  
AVAILABLE LENGTHS: 36", 72"



### 2133W

AVAILABLE FINISH: **W**  
AVAILABLE LENGTHS: 36", 72"

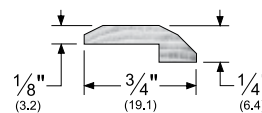


## Oak Floor Edging

- Covers, protects, and provides a neat trim for edges of wood, tile, linoleum, and other surfaces
- Oak is provided unfinished with countersunk holes and brass plated screws

### 2604W

AVAILABLE FINISH: **W**  
AVAILABLE LENGTHS: 36", 72"

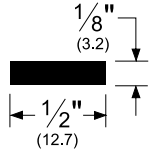


AVAILABLE FINISHES FOR PRODUCTS SHOWN ON THIS PAGE (see General Information section for finish chart)  
**A** (Mill Finish Aluminum) **C** (Clear Anodized) **G** (Gold Anodized)

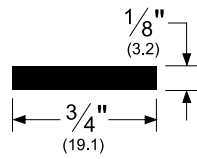
## HandyShapes™ - Flat Bar

- Available in Clear Anod Aluminum (C) in 96" lengths only

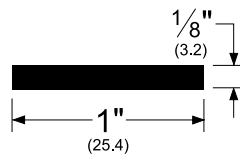
2945\_



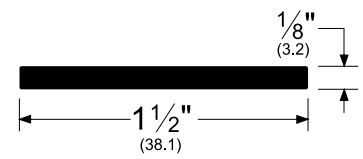
2949\_



2953\_



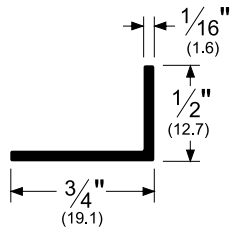
2959\_



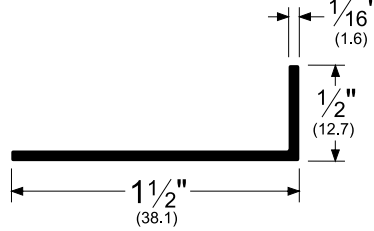
## HandyShapes™ - Angles

- Available in Clear Anod Aluminum (C) in 96" lengths only

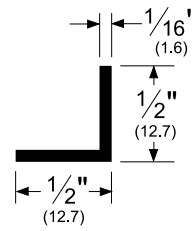
2897\_



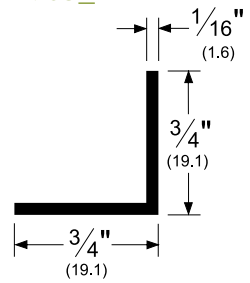
2899\_



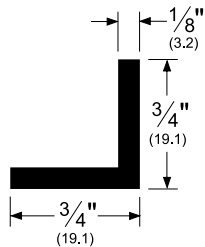
2901\_



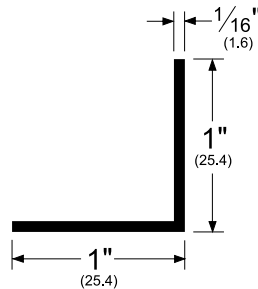
2905\_



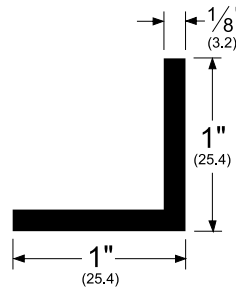
2909\_



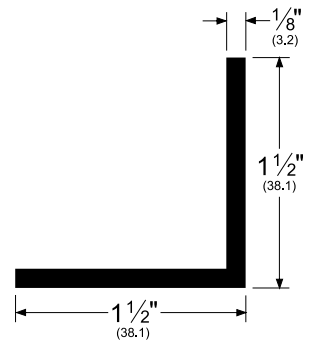
2913\_



2917\_



2925\_

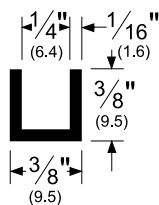


## HandyShapes™

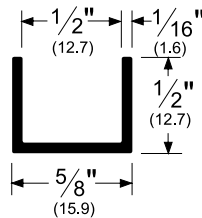
### U-Channel

- Available in Clear Anod Aluminum (C)  
in 72" and 96" lengths only

2933\_



2937\_



AVAILABLE FINISHES FOR PRODUCTS SHOWN ON THIS PAGE (see General Information section for finish chart)  
W (Solid Oak)

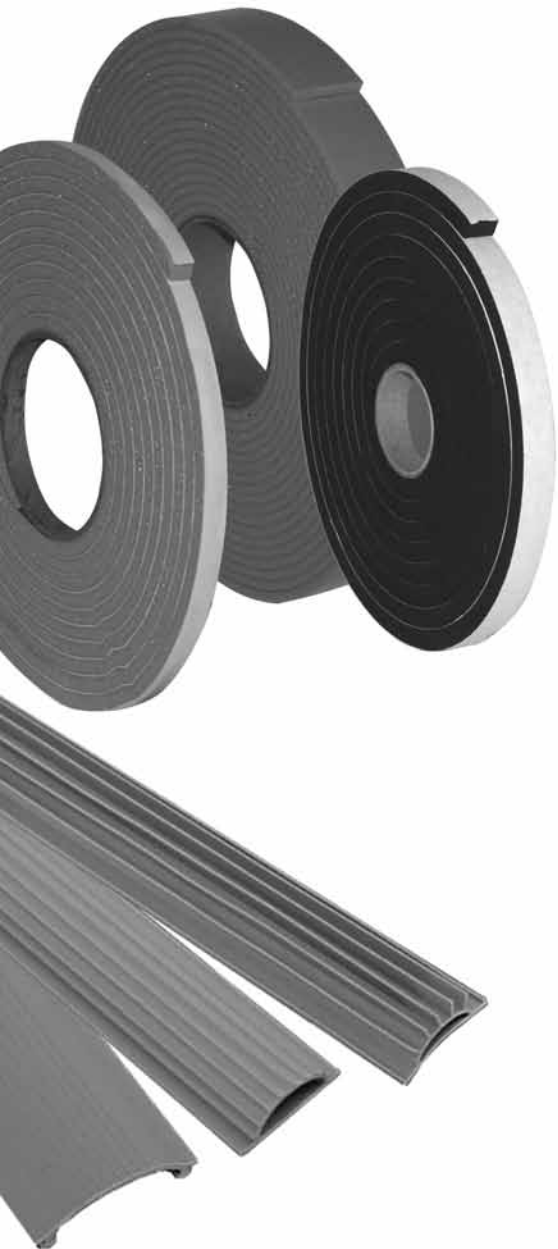
# WEATHERIZATION PRODUCTS

## CONTENTS:

|   |             |
|---|-------------|
| Foam and Neoprene Tape.....             | WP-2 - WP-3 |
| Vinyl Tape.....                         | WP-3        |
| Hemmed Vinyl and Replacement Vinyl..... | WP-4        |

## INDEX:

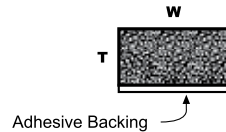
| PRODUCT     | PAGE | PRODUCT      | PAGE | PRODUCT        | PAGE |
|-------------|------|--------------|------|----------------|------|
| 30AV .....  | WP-4 | P364R6 ..... | WP-4 | P480 .....     | WP-2 |
| P39C7 ..... | WP-3 | P365V6 ..... | WP-4 | P484 .....     | WP-3 |
| P39C80..... | WP-3 | P366V6.....  | WP-4 | P485 .....     | WP-3 |
| P5B7 .....  | WP-4 | P380 .....   | WP-3 | P490 .....     | WP-2 |
| P240 .....  | WP-2 | P38 .....    | WP-3 | P49 .....      | WP-2 |
| P24 .....   | WP-2 | P384 .....   | WP-3 | P493 .....     | WP-2 |
| P24-30..... | WP-2 | P385 .....   | WP-2 | P497 .....     | WP-2 |
| P242 .....  | WP-2 | P386 .....   | WP-2 | P497 .....     | WP-2 |
| P243 .....  | WP-2 | P387 .....   | WP-3 | P5BL7 .....    | WP-4 |
| P244 .....  | WP-2 | P388 .....   | WP-3 | PV9GR36.....   | WP-4 |
| P260 .....  | WP-2 | P390 .....   | WP-2 | PVGR36.....    | WP-4 |
| P26 .....   | WP-2 | P39 .....    | WP-2 | PV3GR36.....   | WP-4 |
| P262 .....  | WP-2 | P392 .....   | WP-2 | PV5GR36.....   | WP-4 |
| P263 .....  | WP-2 | P393 .....   | WP-2 | PV22BL36 ..... | WP-4 |
| P264 .....  | WP-2 | P394 .....   | WP-2 | PV22GR36.....  | WP-4 |
| P265 .....  | WP-2 | P396 .....   | WP-2 | PV64GR36.....  | WP-4 |
| P266 .....  | WP-2 | P397 .....   | WP-2 | PV83TN36 ..... | WP-4 |
| P36V6.....  | WP-4 | P398 .....   | WP-2 |                |      |



## Open Cell Polyurethane Foam Tape

- Easily compressible self-adhesive weatherstrip

| Product # | Color    | Thickness (T) |   | Width (W) |   | Length |
|-----------|----------|---------------|---|-----------|---|--------|
| P390      | Gray     | 3/16"         | x | 3/8"      | x | 17'    |
| P391      | White    | 1/4"          | x | 3/8"      | x | 17'    |
| P392      | Gray     | 3/8"          | x | 3/8"      | x | 17'    |
| P393      | Gray     | 1/2"          | x | 1/2"      | x | 17'    |
| P394      | Gray     | 1/2"          | x | 3/4"      | x | 17'    |
| P396      | Charcoal | 1/4"          | x | 1/2"      | x | 17'    |
| P397      | White    | 1/8"          | x | 3/8"      | x | 17'    |
| P398      | Gray     | 1/4"          | x | 3/4"      | x | 17'    |



### Suggested Installation

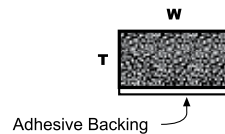


Open Cell Foam Tape installed on casement window.

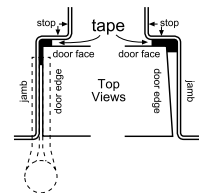
## Closed Cell Soft PVC Foam Tape

- Flexible, conformable, and softly compressible self-adhesive weatherstrip
- Highly resilient: resists ultraviolet, oxygen and moisture degradation
- Seals against air and water, around doors and windows

| Product # | Color | Thickness (T) |   | Width (W) |   | Length |
|-----------|-------|---------------|---|-----------|---|--------|
| P240      | Gray  | 1/8"          | x | 1/4"      | x | 17'    |
| P241      | Gray  | 3/16"         | x | 3/8"      | x | 17'    |
| P241-30   | Gray  | 3/16"         | x | 3/8"      | x | 30'    |
| P242      | Gray  | 1/4"          | x | 3/8"      | x | 17'    |
| P243      | Gray  | 3/8"          | x | 3/8"      | x | 17'    |
| P244      | Gray  | 3/8"          | x | 3/4"      | x | 17'    |



### Suggested Installation

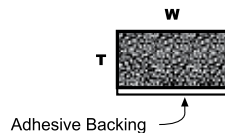


Top view of Closed Cell PVC Soft Foam Tape installed on door opening.

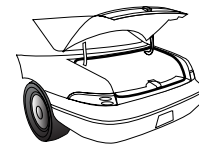
## Closed Cell Firm PVC Foam Tape

- Moderately compressible self-adhesive weatherstrip

| Product # | Color | Thickness (T) |   | Width (W) |   | Length |
|-----------|-------|---------------|---|-----------|---|--------|
| P260      | Black | 1/8"          | x | 1/4"      | x | 17'    |
| P261      | Black | 3/16"         | x | 3/8"      | x | 17'    |
| P262      | Black | 3/16"         | x | 3/4"      | x | 17'    |
| P263      | Black | 5/16"         | x | 3/8"      | x | 10'    |
| P264      | Black | 5/16"         | x | 3/4"      | x | 10'    |
| P265      | Black | 7/16"         | x | 3/8"      | x | 10'    |
| P266      | Black | 7/16"         | x | 3/4"      | x | 10'    |
| P385      | Gray  | 1/4"          | x | 1/2"      | x | 10'    |
| P386      | Gray  | 1/4"          | x | 3/4"      | x | 10'    |



### Suggested Installation

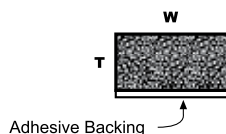


Closed Cell Firm PVC Foam Tape installed as car trunk weatherstrip.

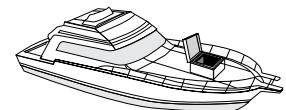
## EPDM Sponge Neoprene Tape

- Slightly compressible self-adhesive weatherstrip
- Resists deterioration and remains flexible at sub-zero temperatures
- Superior product for weatherstripping doors, windows, hatchways, lids and covers

| Product # | Color | Thickness (T) |   | Width (W) |   | Length |
|-----------|-------|---------------|---|-----------|---|--------|
| P490      | Gray  | 1/8"          | x | 3/8"      | x | 10'    |
| P491      | Gray  | 1/4"          | x | 3/8"      | x | 10'    |
| P493      | Gray  | 1/4"          | x | 1/2"      | x | 10'    |
| P497      | Gray  | 1/4"          | x | 3/4"      | x | 10'    |



### Suggested Installation

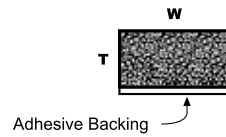


EPDM Sponge Neoprene Tape installed as boat hatch weatherstrip

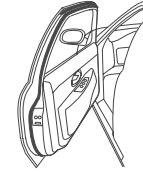
## Closed Cell Sponge Neoprene Tape

- Superior product for weatherstripping homes, cars, trucks and boats
- Remains flexible at high and low temperatures
- Resists deterioration from oily substances

| Product # | Color | Thickness (T) | Width (W) | Length |
|-----------|-------|---------------|-----------|--------|
| P380      | Black | 3/16"         | 3/8"      | 10'    |
| P381      | Black | 5/16"         | 3/8"      | 10'    |
| P384      | Black | 7/16"         | 3/4"      | 10'    |
| P387      | Black | 3/16"         | 3/4"      | 10'    |
| P388      | Black | 5/16"         | 1/2"      | 10'    |
| P484      | Black | 7/16"         | 3/8"      | 10'    |



### Suggested Installation

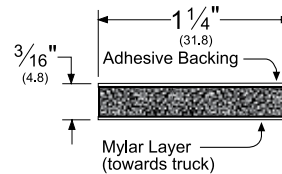


Closed Cell Sponge Neoprene Tape installed as car door weatherstrip.

## Closed Cell Sponge Vinyl Camper Tape

- Mylar-backed tape cushions between camper and truck

| Product # | Color | Thickness (T) | Width (W) | Length |
|-----------|-------|---------------|-----------|--------|
| P480      | Gray  | 3/16"         | 1 1/4"    | 30'    |



### Suggested Installation

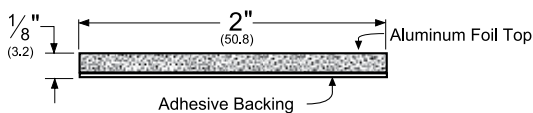


Sponge Vinyl Camper Tape installed as seal between camper and truck bed

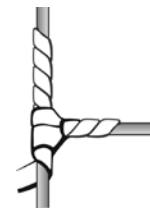
## Closed Cell Foam Pipe Wrap Tape

- Aluminum foil-backed tape reduces heat loss in water pipes; prevents condensation and helps reduce air loss in heater when used on joints

| Product # | Color | Thickness (T) | Width (W) | Length |
|-----------|-------|---------------|-----------|--------|
| P485      | Gray  | 1/8"          | 2"        | 15'    |



### Suggested Installation

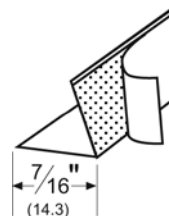


Closed Cell Foam Pipe Wrap Tape installed on pipe and pipe joint

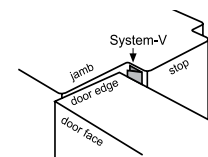
## System-V Weatherstrip Tape

- Compression adhesive weatherstrip is easy to install and seals out air, dust and sound

| Product # | Color | Width | Length |
|-----------|-------|-------|--------|
| P39C17    | Clear | 7/8"  | 17'    |
| P39C180   | Clear | 7/8"  | 180'   |



### Suggested Installation



System-V Weatherstrip Tape installed onto door jamb stop

For more weatherstripping products (such as PK33, PK55 and S88) see pages AG-2 through AG-4 in the Adhesive Gasketing Section.

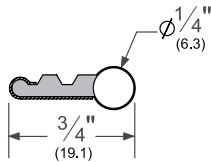


## Hemmed Vinyl and Garage Weatherstrip

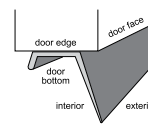
- Vinyl bulb weatherstrip, retained in flexible aluminum
- Nail to door stops and window stops to block drafts and air infiltration
- Nails included
- Fills gaps up to 1/4"

### Hemmed Vinyl Weatherstrip

| Product #    | Material | Thickness | Width  | Length |
|--------------|----------|-----------|--------|--------|
| <b>301AV</b> | Vinyl    | 1/8"      | 3/4" x | 17'    |

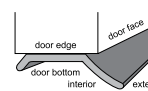


#### P361V16



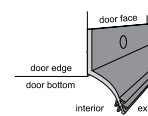
- Nails to door edge, bottom or jamb, closing gaps up to 1/2"

#### P364R16



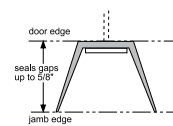
- Nails to door bottom, closing gaps up to 5/8"

#### P365V16



- Nails to door edge, bottom or face, closing gaps up to 1 3/4"

#### P366V16



- Nails to door edge, jamb edge, or door bottom

### Garage Door Weatherstrip

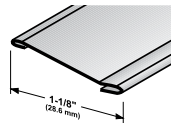
- All garage door weatherstrips are furnished with roofing nails

| Product #      | Color | Height | Width    | Length |
|----------------|-------|--------|----------|--------|
| <b>P361V16</b> | Black | 1 1/2" | 1" x     | 16'    |
| <b>P364R16</b> | Black | 3/4"   | 2 1/4" x | 16'    |
| <b>P365V16</b> | Gray  | 1 3/4" | 5/8" x   | 16'    |
| <b>P366V16</b> | Black | 5/8"   | 1 1/2" x | 16'    |

## Spring Bronze Weatherstrip

- For use on wood doors and wood casement windows
- .008" hemmed spring bronze (brass)
- Packaged with nails. Nails should be approximately 1 1/2" on center

| Product #     | Material | Width  | Length |
|---------------|----------|--------|--------|
| <b>P51B17</b> | Bronze   | 1 1/8" | 17'    |

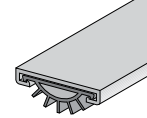


## Replacement Vinyl

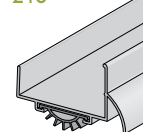
### Door Shoe Replacement Vinyl

| Product #       | Color | Used In (PEMKO Product Numbers):                        |
|-----------------|-------|---|
| <b>PV9BL36</b>  | Black | 210, 211, 215, 216, 217, 220, 221, 222, 234, 2211, 2221 |
| <b>PV9GR36</b>  | Gray  | 210, 211, 215, 216, 217, 220, 221, 222, 234, 2211, 2221 |
| <b>PV15GR36</b> | Gray  | 209   |

234



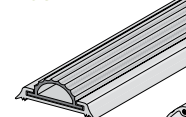
216



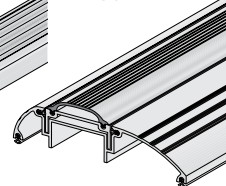
### Threshold Replacement Vinyl

| Product #       | Color       | Used In (PEMKO Product Numbers):       |
|-----------------|-------------|--|
| <b>PV11GR36</b> | Gray, Black | 203, 204, 237, 238                     |
| <b>PV13GR36</b> | Gray, Black | 208                                    |
| <b>PV22BL36</b> | Black       | 206, 207                               |
| <b>PV22GR36</b> | Gray        | 206, 207                               |
| <b>PV64GR36</b> | Gray        | 249, 250                               |
| <b>PV83TN36</b> | Tan         | 203OAK36: 72", 204OAK36: 72", 208OAK36 |

208



250





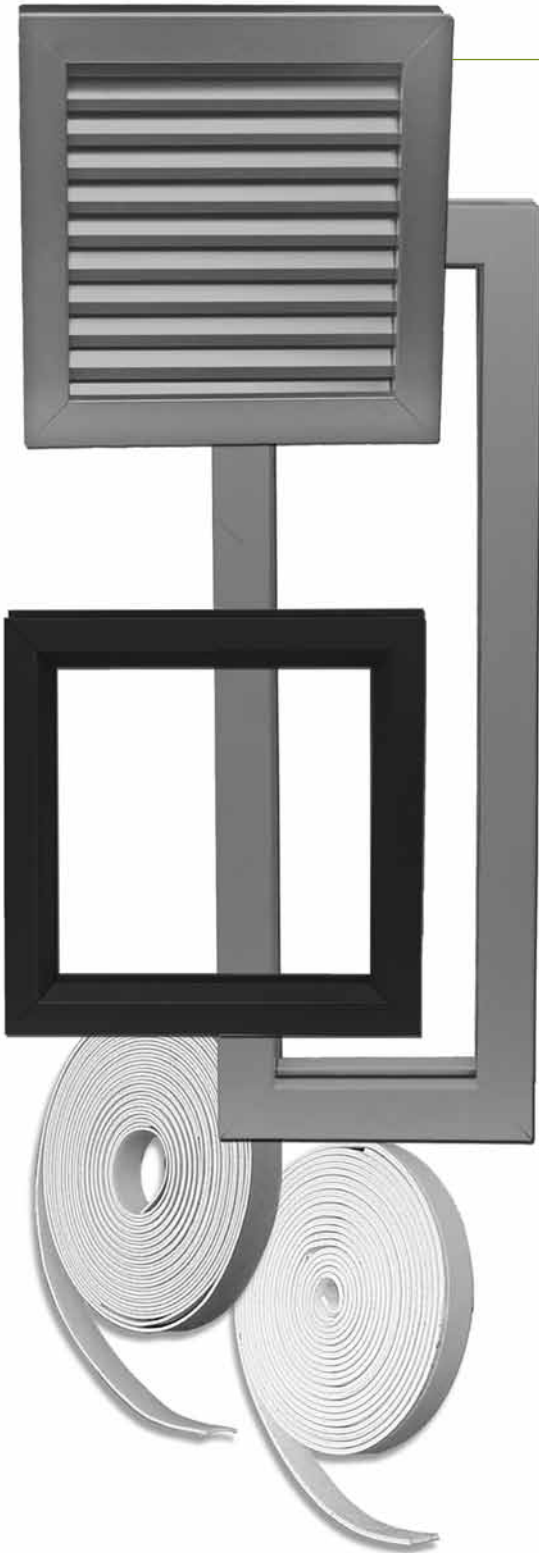
# LITES & LOUVERS

## CONTENTS:

General Information..... LL-2  
 Low Profile - Beveled Lite Kit..... LL-3-LL-4  
 Low Profile - 90° Lite Kit..... LL-5-LL-6  
 Grills/Vision Lites For 90° Lite Kit..... LL-7  
 Inverted "Y" Louver..... LL-8  
 Fusible Link Louver..... LL-9  
 Fire Glazing Tape..... LL-10  
 Fire Glazing Tape Applications..... LL-11-LL-16

## INDEX:

| <u>PRODUCT</u> | <u>PAGE</u> | <u>PRODUCT</u> | <u>PAGE</u> | <u>PRODUCT</u> | <u>PAGE</u> |
|----------------|-------------|----------------|-------------|----------------|-------------|
| FG3000S45..... | LL-10       | G-9.....       | LL-7        | LT-B4.....     | LL-4        |
| FG3000S90..... | LL-10       | G-10.....      | LL-7        | LT-S1.....     | LL-5        |
| G-2.....       | LL-7        | G-12.....      | LL-7        | LT-S2.....     | LL-6        |
| G-3.....       | LL-7        | G-15.....      | LL-7        | LT-S3.....     | LL-6        |
| G-4.....       | LL-7        | HSS2000.....   | LL-15       | LT-S4.....     | LL-6        |
| G-5.....       | LL-7        | LT-B1.....     | LL-3        | LV-FL.....     | LL-9        |
| G-6.....       | LL-7        | LT-B2.....     | LL-4        | LV-IY.....     | LL-8        |
| G-8.....       | LL-7        | LT-B3.....     | LL-4        |                |             |

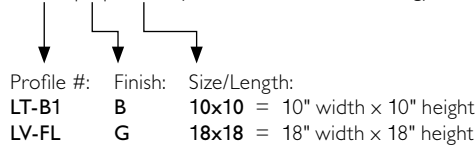


## Ordering Information

The following information is necessary for ordering (quantities are not included in product numbers):

**Quantity Series Finish Size**  
10 LT-B1 B 3 x 33

Example: **LT-B1 | B | 10X10** (Shown as **LT-B1\_** in catalog)



Specify exposed or cutout dimensions

|              | Exposed Glass Dimensions |              | Cutout Dimensions |
|--------------|--------------------------|--------------|-------------------|
| <b>LT-B1</b> | 10" x 10"                | <b>CO-B1</b> | 12" x 12"         |
| <b>LT-B1</b> | 16" x 16"                | <b>CO-B1</b> | 18" x 18"         |
| <b>LT-B1</b> | 5" x 20"                 | <b>CO-B1</b> | 7" x 22"          |
| <b>LT-B1</b> | 22" x 22"                | <b>CO-B1</b> | 24" x 24"         |
| <b>LT-B1</b> | 4" x 25"                 | <b>CO-B1</b> | 6" x 27"          |
| <b>LT-B1</b> | 16" x 28"                | <b>CO-B1</b> | 18" x 30"         |
| <b>LT-B1</b> | 22" x 28"                | <b>CO-B1</b> | 24" x 30"         |
| <b>LT-B1</b> | 6" x 30"                 | <b>CO-B1</b> | 8" x 32"          |
| <b>LT-B1</b> | 22" x 30"                | <b>CO-B1</b> | 24" x 32"         |
| <b>LT-B1</b> | 22" x 32"                | <b>CO-B1</b> | 24" x 34"         |
| <b>LT-B1</b> | 3" x 33"                 | <b>CO-B1</b> | 5" x 35"          |
| <b>LT-B1</b> | 16" x 34"                | <b>CO-B1</b> | 18" x 36"         |
| <b>LT-B1</b> | 22" x 34"                | <b>CO-B1</b> | 24" x 36"         |
| <b>LT-B1</b> | 22" x 58"                | <b>CO-B1</b> | 24" x 60"         |

## Features/Finishes

PEMKO lites and louvers are finished with polyester resin powder coat in the following standard colors:

- B** - Beige
- D** - Dark Bronze Duranodic
- G** - Gray Primer

- Other colors are available. Sample chip required for color match
- PEMKO lites and louvers are made from A40 galvanized steel for additional corrosion protection

## Options

- Security Fasteners
- Security Grilles (Square Kits ONLY)
- 304 Stainless Steel with #4 finish

## Low Profile - Beveled Lite Kit

The LT-B1 Lite Kit provides a wide viewing angle. For use with glazing material requiring a  $\frac{3}{8}$ " pocket in  $1\frac{3}{4}$ " wood or metal doors. The LT-B1 installs without drilling holes through the door for quick installation. The hemmed design is a flush mounted assembly and is ideal for clean environments.

### Standard Features

#### Materials:

20 gauge galvanized hemmed design with  $\frac{3}{8}$ " glazing pocket

#### Fasteners:

#8 x  $1\frac{3}{4}$ " O.H.S.M.S.

#### Dimensions:

- Minimum width - 2" exposed glass
- Maximum height - 69" exposed glass

#### Other:

- Mitered and welded clean corner construction
- 37 degree beveled glass stops

#### Fire Rating:

Classified in accordance with UBC code standard 7-2 for positive pressure



### Optional Features:

#### Materials:

304 - #4 stainless steel in 20 gauge material

#### Finish:

Custom powder coated finishes (sample chip must accompany order)

#### Fasteners:

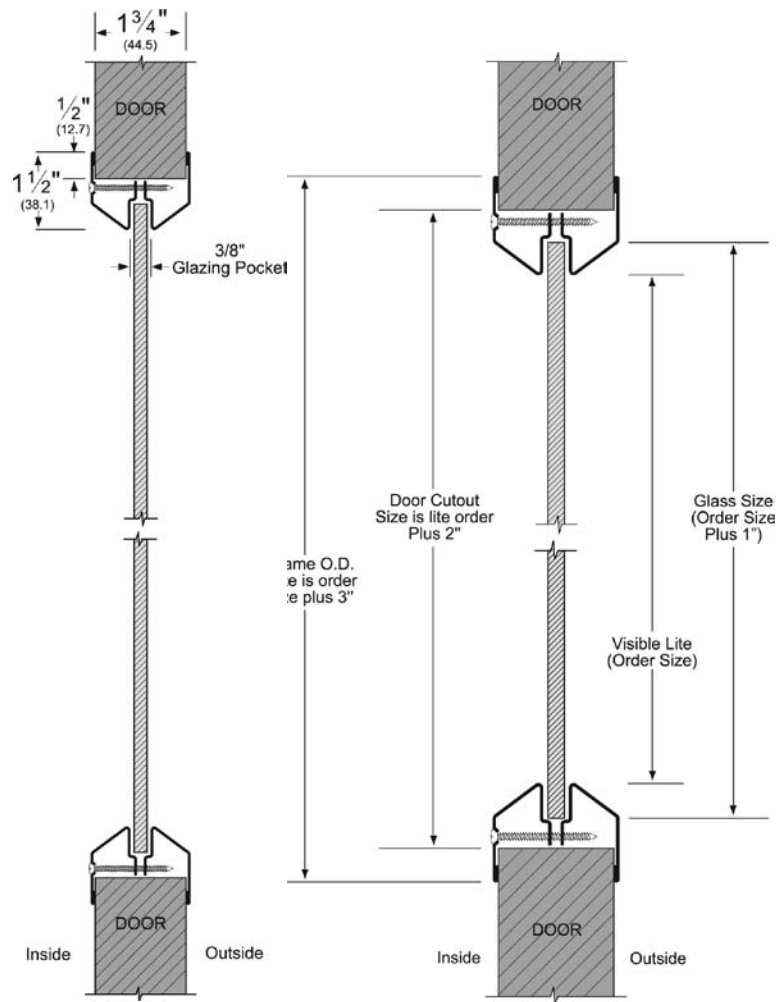
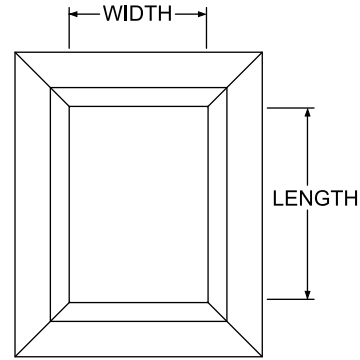
Security fasteners

#### Other:

- Glazing tape
- Custom glass sizes

### LT-B1\_

AVAILABLE FINISHES: B, D, G



AVAILABLE FINISHES FOR PRODUCTS SHOWN ON THIS PAGE (see General Information section for finish chart)  
B (Beige Powder Coat) • D (Dark Bronze Duranodic Powder Coat) • G (Gray Primer Powder Coat)

## Low Profile - Beveled Lite Kit (Cont.)

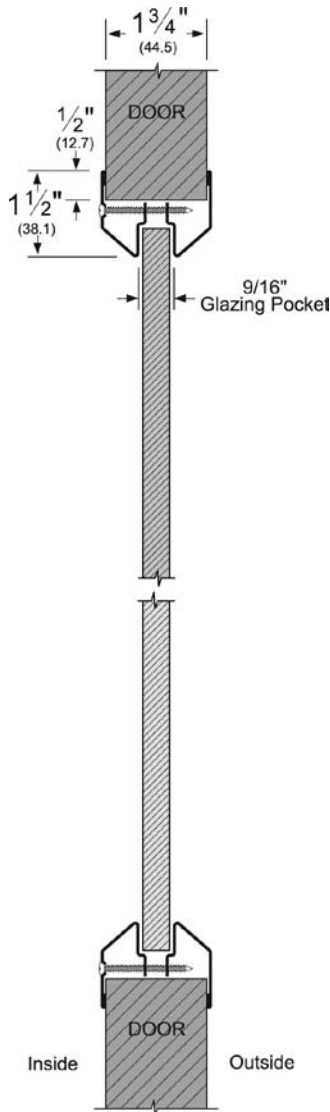
### LT-B2

AVAILABLE FINISHES: B, D, G

#### Standard Features

##### Materials:

20 gauge galvanized hemless design with  $\frac{9}{16}$ " glazing pocket



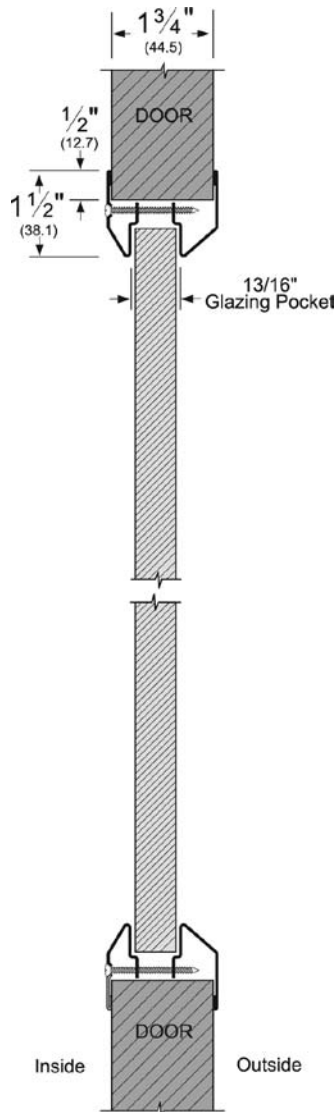
### LT-B3

AVAILABLE FINISHES: B, D, G

#### Standard Features

##### Materials:

20 gauge galvanized hemless design with  $\frac{13}{16}$ " glazing pocket



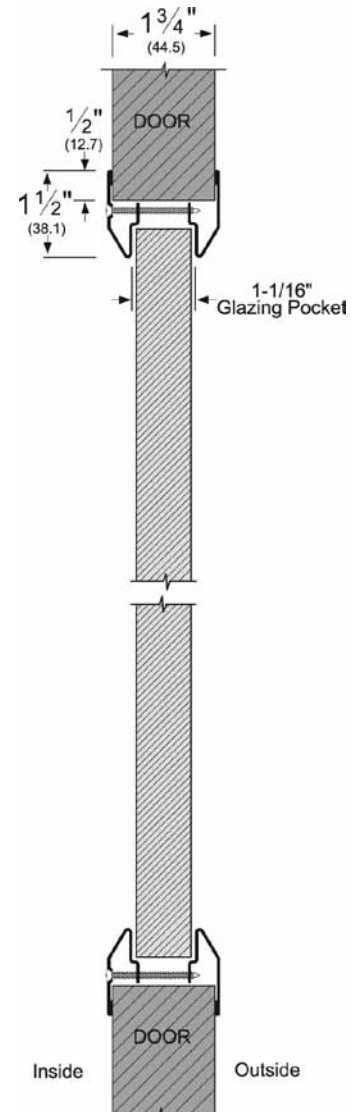
### LT-B4

AVAILABLE FINISHES: B, D, G

#### Standard Features

##### Materials:

20 gauge galvanized hemless design with  $1\frac{1}{16}$ " glazing pocket



AVAILABLE FINISHES FOR PRODUCTS SHOWN ON THIS PAGE (see General Information section for finish chart)  
B (Beige Powder Coat) D (Dark Bronze Duranodic Powder Coat) G (Gray Primer Powder Coat)

## Low Profile - 90° Lite Kit

The LT-S1 Lite Kit provides a wide viewing angle. For use with glazing material requiring a  $\frac{3}{8}$ " pocket in  $1\frac{3}{4}$ " wood or metal doors. The LT-S1 installs without drilling holes through the door for quick installation. The hemless design is a flush mounted assembly and is ideal for clean environments.

### Standard Features

#### Materials:

20 gauge galvanized steel for width  $\frac{3}{8}$ " glazing pocket

#### Fasteners:

#8 x  $1\frac{3}{4}$ " O.H.S.M.S.

#### Dimensions:

- Minimum width - 2" exposed glass
- Maximum height - 69" exposed glass

#### Other:

- Mitered and welded clean corner construction
- 90 degree square glass stop

#### Fire Rating:

Classified in accordance with UBC code standard 7-2 for positive pressure



### Optional Features

#### Materials:

304 - #4 stainless steel in 20 gauge material

#### Finish:

Custom powder coated finishes (sample chip must accompany order)

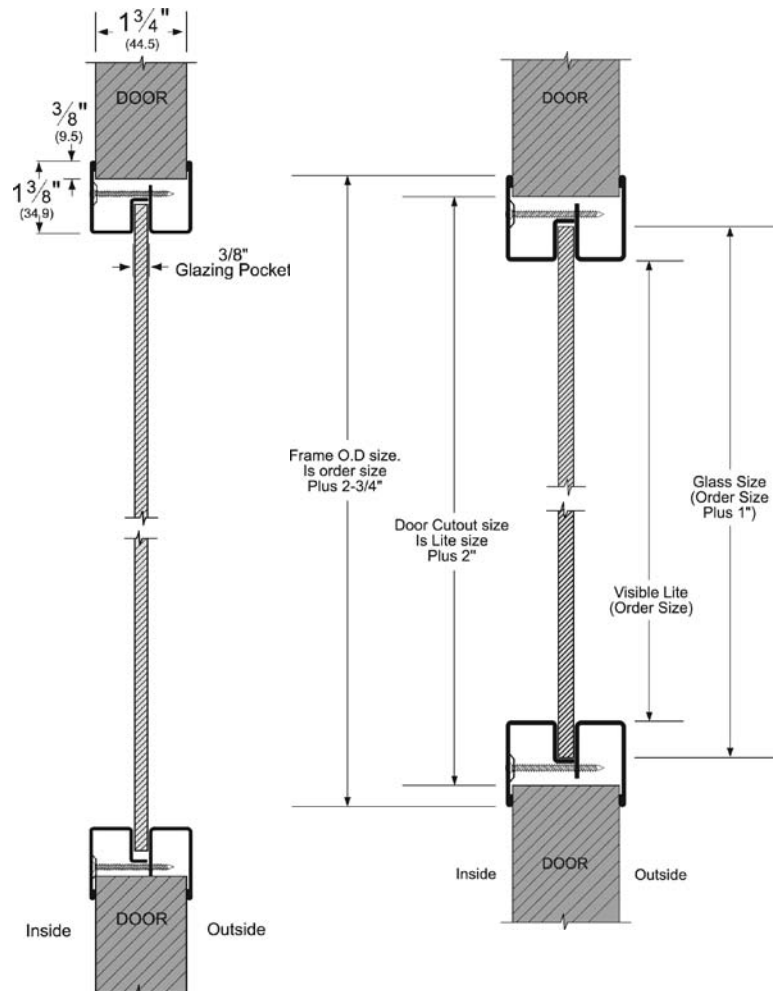
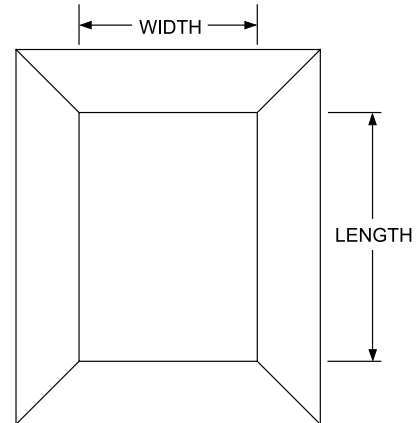
#### Fasteners:

Security fasteners

#### Other:

- Security grilles (supplied on both sides, standard)
- Glazing tape
- Custom glass sizes

### LT-S1\_ AVAILABLE FINISHES: B, D, G



AVAILABLE FINISHES FOR PRODUCTS SHOWN ON THIS PAGE (see General Information section for finish chart)  
B (Beige Powder Coat) D (Dark Bronze Duranodic Powder Coat) G (Gray Primer Powder Coat)

## Low Profile - 90° Lite Kit (Cont.)

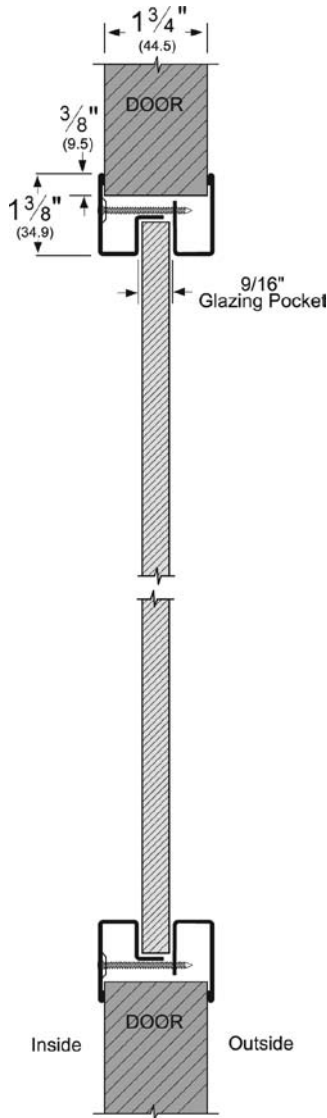
### LT-S2\_

AVAILABLE FINISHES: B, D, G

#### Standard Features

##### Materials:

20 gauge galvanized steel with  $\frac{3}{16}$ " glazing pocket



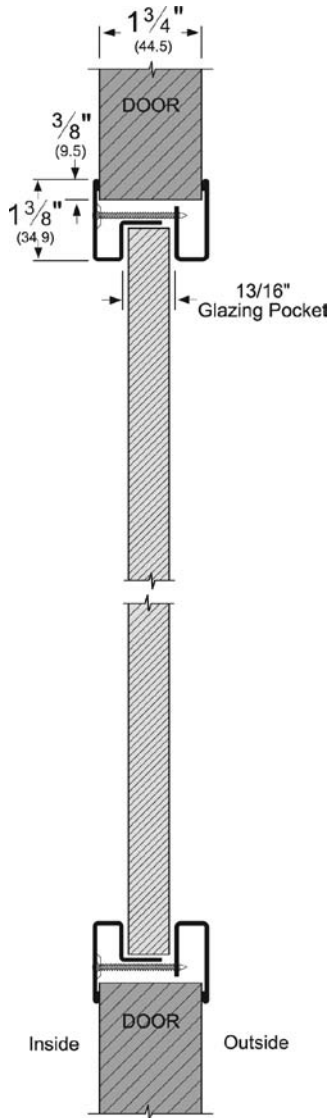
### LT-S3\_

AVAILABLE FINISHES: B, D, G

#### Standard Features

##### Materials:

20 gauge galvanized steel with  $\frac{13}{16}$ " glazing pocket



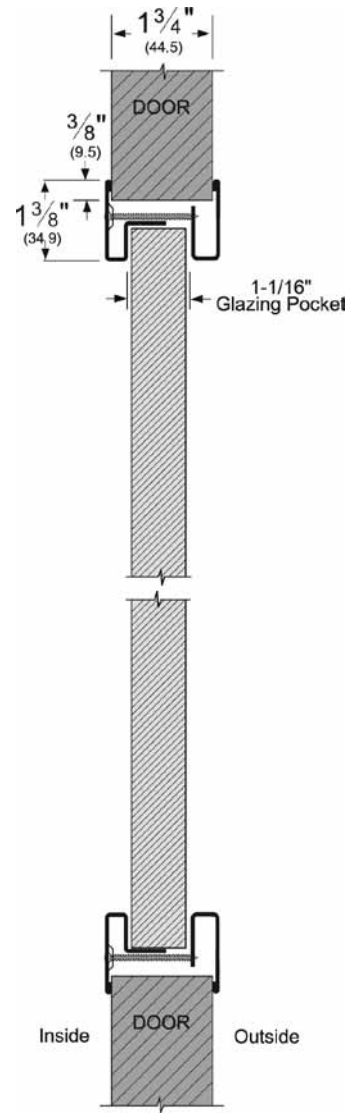
### LT-S4\_

AVAILABLE FINISHES: B, D, G

#### Standard Features

##### Materials:

20 gauge galvanized steel with  $1\frac{1}{16}$ " glazing pocket



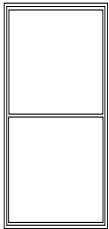
AVAILABLE FINISHES FOR PRODUCTS SHOWN ON THIS PAGE (see General Information section for finish chart)  
B (Beige Powder Coat) D (Dark Bronze Duranodic Powder Coat) G (Gray Primer Powder Coat)

## Grilles/Vision Lites For LT-S1 through LT-S4 Lites

These products are for the **LT-S\_** series only.

### G-2

AVAILABLE FINISHES:  
B, D, G



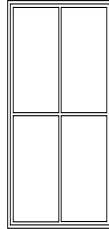
### G-3

AVAILABLE FINISHES:  
B, D, G



### G-4

AVAILABLE FINISHES:  
B, D, G



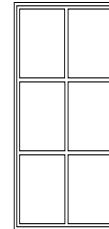
### G-5

AVAILABLE FINISHES:  
B, D, G



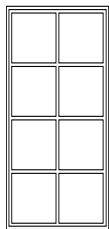
### G-6

AVAILABLE FINISHES:  
B, D, G



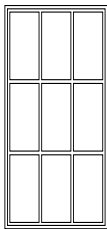
### G-8

AVAILABLE FINISHES:  
B, D, G



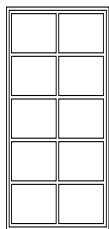
### G-9

AVAILABLE FINISHES:  
B, D, G



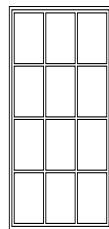
### G-10

AVAILABLE FINISHES:  
B, D, G



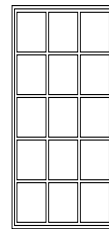
### G-12

AVAILABLE FINISHES:  
B, D, G



### G-15

AVAILABLE FINISHES:  
B, D, G



### Standard Features

#### Materials:

- Vision Lites: 20 gauge galvanized steel
- Muntins: 18 gauge C.R.S. 1/2" x 1/2" steel tube

#### Door Thickness:

For 1 3/4" doors only

#### Optional Features

##### Finish:

Custom powder coated finishes  
(sample chip must accompany order)

##### Fasteners:

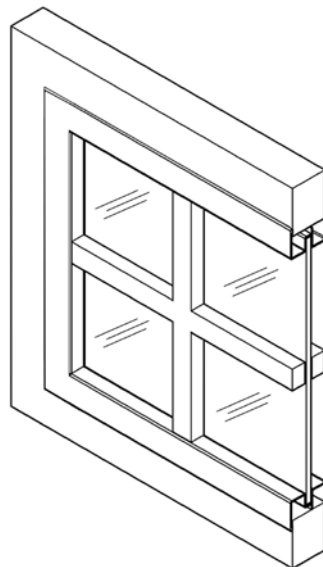
Special security screws available

##### Other:

Customized grille patterns

### Vision Lites:

Only for use in LT-S1 to LT-S4 ("S" Series)



AVAILABLE FINISHES FOR PRODUCTS SHOWN ON THIS PAGE (see General Information section for finish chart)  
B (Beige Powder Coat) D (Dark Bronze Duranodic Powder Coat) G (Gray Primer Powder Coat)

## Inverted "Y" Louver

The LV-IY louver for 1 $\frac{3}{4}$ " wood or metal doors provides 50% free air flow. The 20 gauge inverted "Y" blades add stiffness and a burr-free exposed edge. The 18 gauge galvanized mitered frame secures the grill assembly in place giving it a clean appearance.

### LV-IY\_

AVAILABLE FINISHES:  
B, D, G

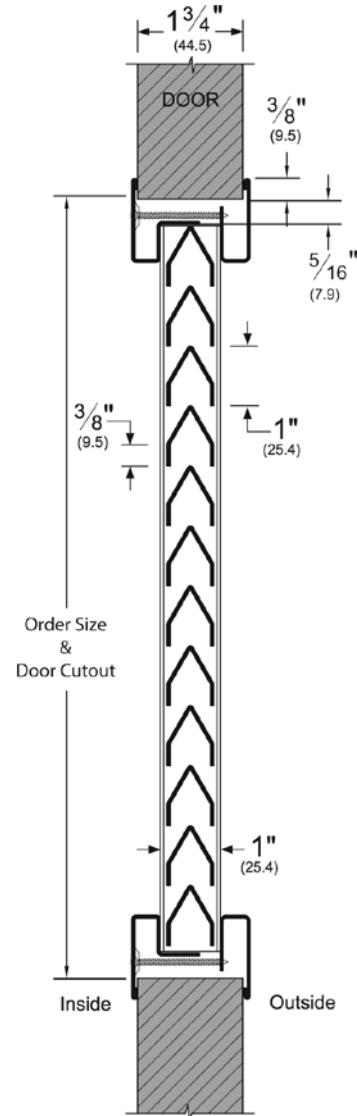


#### Standard Features

- 18 gauge galvanized frame
- 20 gauge galvanized inverted "Y" blades
- For 1 $\frac{3}{4}$ " doors
- 50% Free air flow
- #8 - 15" x 1 $\frac{3}{4}$ " O.H.S.M.S.
- Welded corner construction

#### Optional Features

- 304 - #4 stainless steel
- Louver core only
- Security screws
- Security grilles
- Insect screens
- Custom powder coated finishes (sample chip must accompany order)



AVAILABLE FINISHES FOR PRODUCTS SHOWN ON THIS PAGE (see General Information section for finish chart)  
B (Beige Powder Coat) D (Dark Bronze Duranodic Powder Coat) G (Gray Primer Powder Coat)



## Fusible Link Louver

The LV-FL louver is for 1 3/4" wood or metal doors and provides 50% free air flow while fastening to one side to ensure security.

### LV-FL\_

AVAILABLE FINISHES:  
B, D, G



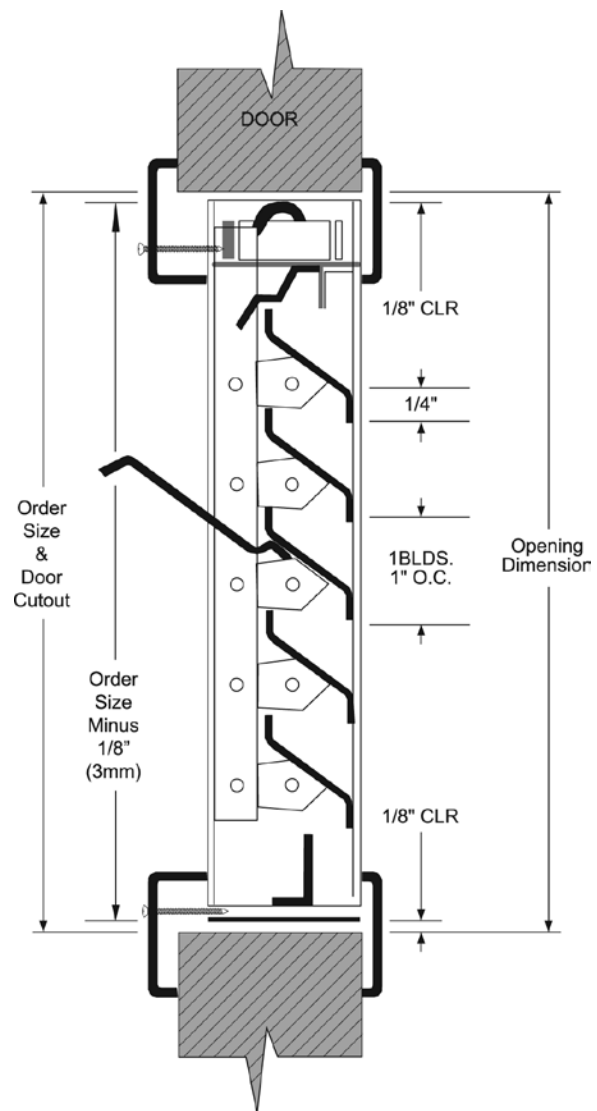
#### Standard Features

- 18 gauge galvanized frame
- 16 gauge adjustable "Z" blades
- For 1 3/4" doors
- 50% Free air flow
- #8 - 15 x 1" O.H.S.M.S.
- UL listed



#### Optional Features

- Security screws
- Custom powder coated finishes (sample chip must accompany order)



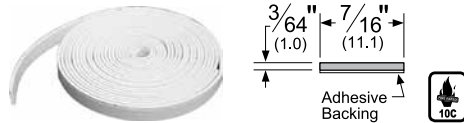
AVAILABLE FINISHES FOR PRODUCTS SHOWN ON THIS PAGE (see General Information section for finish chart)  
B (Beige Powder Coat) D (Dark Bronze Duranodic Powder Coat) G (Gray Primer Powder Coat)

## Fire Glazing Tape

- Verify all applications with your door and/or frame manufacturer
- **FG33000S45** and **FG3000S90** are specially formulated high-performance fire glazing tapes
- For exterior fire-rated applications, seal against moisture using standard industry methods

### FG3000S45

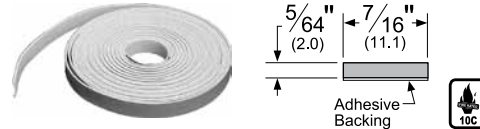
AVAILABLE LENGTHS: 7', 8', 14', 16'



Color: White

### FG3000S90

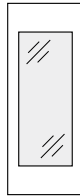
AVAILABLE LENGTHS: 8', 16'



Color: White

## Fire Glazing Tape in Larger Lite Applications

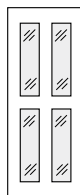
### Single Vision Lites (Wood/Hollow Metal Door)



**Maximum Height:** 84"  
**Maximum Width:** 34"  
**Maximum Total Square Inches  
(Visible Glass Area):** 2,856

- In 20-, 45-, 60- and 90-minute rated wood and hollow metal doors with metal vision frames, the use of **FG3000** fire glazing tape allows for much larger vision lites
- In 20- and 45-minute rated hollow metal screens, the use of **FG3000** fire glazing tape allows for much larger sidelites, borrowed lites and glass transoms
- New allowable visible glass areas for vision lites in 20- and 45-minute rated wood and hollow metal doors with **FG3000S45** is 2,856 square inches with a maximum height of 84" and a maximum width of 34"

### Multiple Vision Lites (Hollow Metal Door)



**Maximum Height (Each Lite):** 12"  
**Maximum Width (Each Lite):** 46"  
**Maximum Combined Square Inches  
(All Visible Glass Areas):** 2,208

- For 90-minute hollow metal doors with **FG3000** fire glazing tape, 12" x 46" vision lites are allowed, but the total number of lites must not exceed four (4) per door. The combined total visible glass area allowed is 2,208 square inches

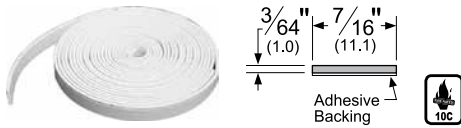
## FG3000S45 Fire Glazing Tape in 20- and 45-Minute Hollow Metal Frame (Screen)

### Sidelite/Borrowed Lite/Transom Lite Applications

- Verify all applications with your door and/or frame manufacturer
- For exterior fire-rated applications, a clear silicone caulk is recommended for water proofing

### FG3000S45

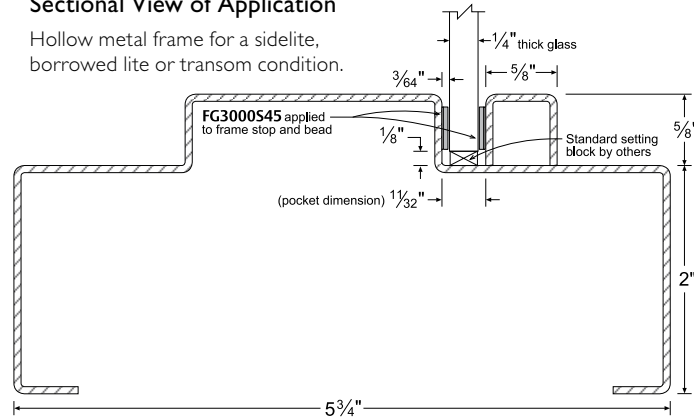
AVAILABLE LENGTHS: 7', 8', 14', 16'



Color: White

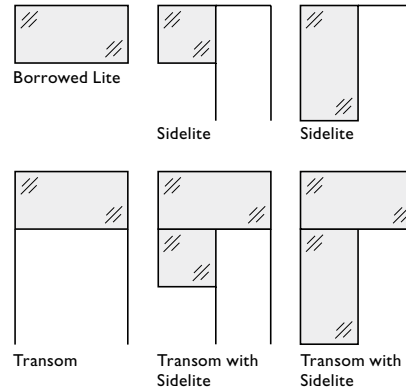
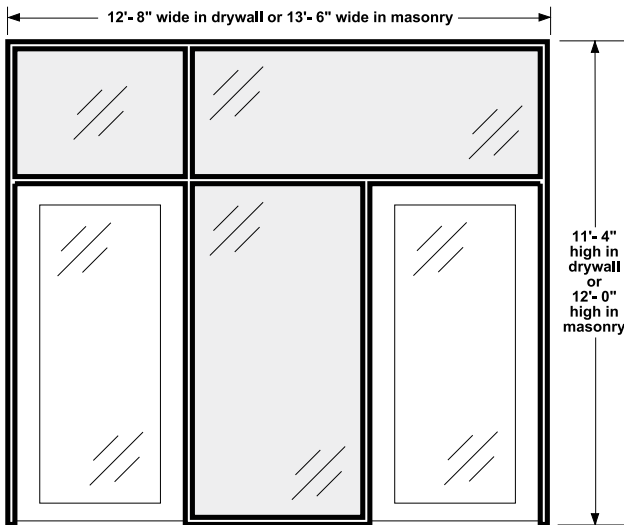
### Sectional View of Application

Hollow metal frame for a sidelite, borrowed lite or transom condition.



### Technical Data For 20- And 45-Minute Hollow Metal Screens Equipped With FG3000S45 (Sidelite/Borrowed Lite/Transom Lite Applications)

#### Lite Configurations



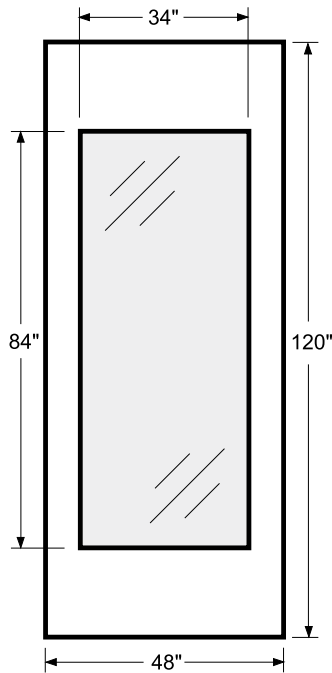
The maximum visible glass area allowed for side lites, borrowed lites, and glass transoms is 4,704 square inches with a maximum length of 106" in any one direction.

| Lite Specifications   | Hollow Metal Screen Specifications  | Listing/Labeling Specifications  |
|---|---|--|
| <p><b>Maximum Lite Size:</b><br/>106" In Any One Direction</p> <p><b>Maximum Lite Combined Square Inches:</b><br/>Not To Exceed 4,704</p> | <p><b>Maximum Dimensions (Drywall):</b><br/>12'8" X 11'4"</p> <p><b>Maximum Dimensions (Masonry):</b><br/>13'6" X 12'0"</p> <p><b>Metal Requirements:</b><br/>Frames are restricted to a minimum of 16-gauge with 5/8" high stops and 18-gauge glazing bead with #8 fasteners at 9" maximum centers</p> | <ul style="list-style-type: none"> <li>• Door and frame must be manufactured by companies that are classified by <b>Underwriters Laboratories Inc.®</b> for the manufacturing and labeling of hollow metal fire doors. <b>Warnock Hersey (I.T.S.)</b> listings are also available through participating hollow metal manufacturers</li> <li>• Listed Glazing Products include: <ul style="list-style-type: none"> <li>– <b>Wire Glazing:</b> Pilkington, Asahi and Central Glass</li> </ul> </li> <li>• All vision lite kits must be listed fire door glass frames, packaged with <b>FG3000S45</b> or <b>FG3000S90</b></li> <li>• Individual door and frame manufacturers' modification procedures may vary slightly from the size listings shown</li> </ul> |

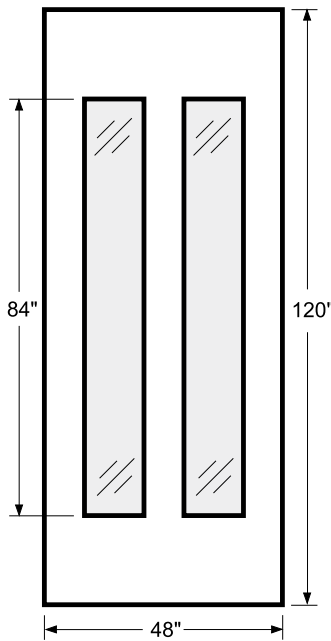
## FG3000S45 Fire Glazing Tape in 20- and 45-Minute Hollow Metal Door

### Metal Vision Frame Applications

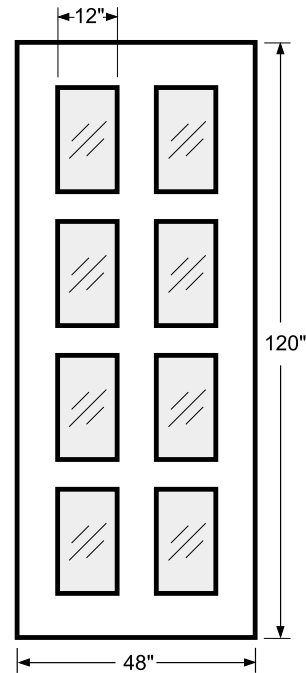
- Maximum hollow metal door size: 48" x 120" single, pairs approved
- Door and frame must be manufactured by companies that are classified by Underwriters Laboratories Inc.® for the manufacturing and labeling of hollow metal fire doors and frames. Warnock-Hersey (I.T.S.) listings are also available through participating hollow metal manufacturers
- For exterior fire rated applications, seal against moisture using standard industry methods
- Verify all applications with your door and/or frame manufacturer



For 20 minute and 45 minute the maximum visible glass size allowed is 34" wide x 84" high or 2,856 square inches per vision lite.



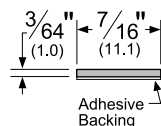
Multiple vision lites are allowed in both the 20 minute and 45 minute, but the combined total visible glass area allowed is 2,856 square inches per door.



### FG3000S45

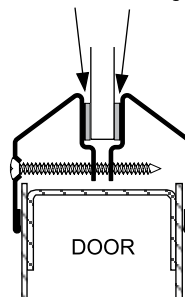


Color: White



### Sectional View of Applications

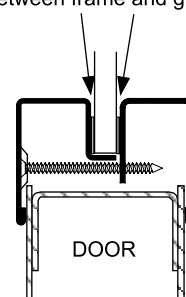
FG3000S45 applied between frame and glass



Beveled



FG3000S45 applied between frame and glass



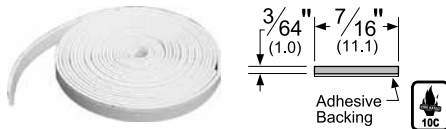
Square



## FG3000S45 Fire Glazing Tape in 20- and 45-Minute Wood Door

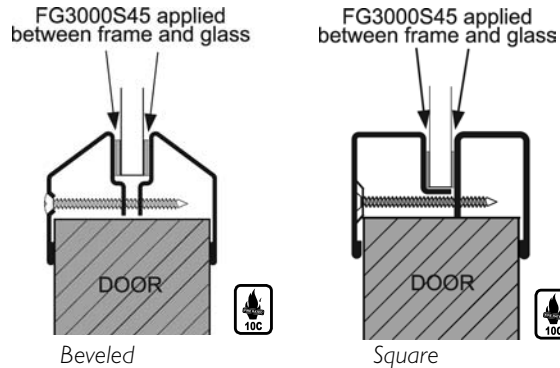
### Metal Vision Frame Applications

#### FG3000S45



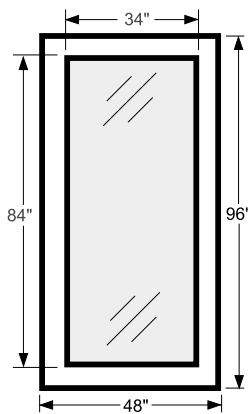
Color: White

#### Sectional View of Applications

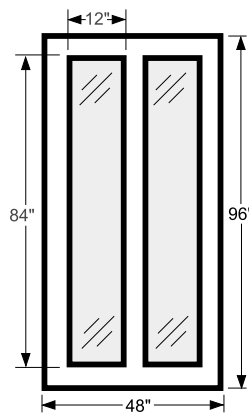


### Technical Data For 20- And 45-Minute Wood Doors Equipped With FG3000S45 (Metal Vision Frame, Single And Multiple Lite Applications)

#### Lite Configurations



Single Vision Lite



Multiple Vision Lites

The maximum visible glass area allowed for single lites is 34" wide x 84" high; for single and multiple lites, the total visible glass area allowed is 2,856 square inches per door.

| Lite Specifications   | Door Specification  | Listing/Labeling Specifications  |
|---|---|--|
| <p><b>Maximum Dimensions (Single Lite):</b><br/>34" wide x 84" high, 2,856 square inches per lite</p> <p><b>Maximum Combined Dimensions (Multiple Lites):</b><br/>Multiple vision lites are allowed in both the 20- and 45-minute doors, but the combined total visible glass area allowed is 2,856 square inches per door.</p> | <p><b>Maximum Dimensions:</b><br/>or both 20- and 45-minute doors, the maximum wood door size is 48" x 96" single, pairs approved</p> | <ul style="list-style-type: none"> <li>• Door and frame must be manufactured by companies that are classified by <b>Underwriters Laboratories Inc.®</b> for the manufacturing and labeling of hollow metal fire doors. <b>Warnock Hersey (I.T.S.)</b> listings are also available through participating hollow metal manufacturers</li> <li>• Listed Glazing Products include: <ul style="list-style-type: none"> <li>– <b>Wire Glazing:</b> Pilkington, Asahi and Central Glass</li> </ul> </li> <li>• Individual door and frame manufacturers' modification procedures may vary slightly from the size listings shown</li> </ul> |

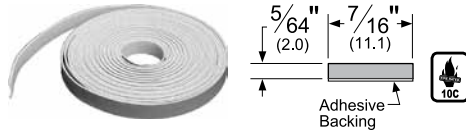
## FG3000S90 Fire Glazing Tape in 90-Minute Hollow Metal Door

### Metal Vision Frame Applications

- Verify all applications with your door and/or frame manufacturer
- For exterior fire-rated applications, seal against moisture using industry standard methods

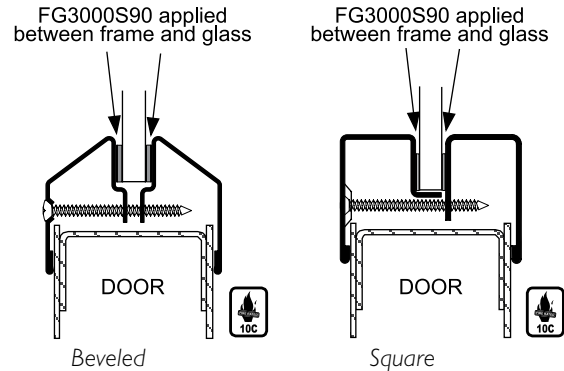
### FG3000S90

AVAILABLE LENGTHS: 8', 16'



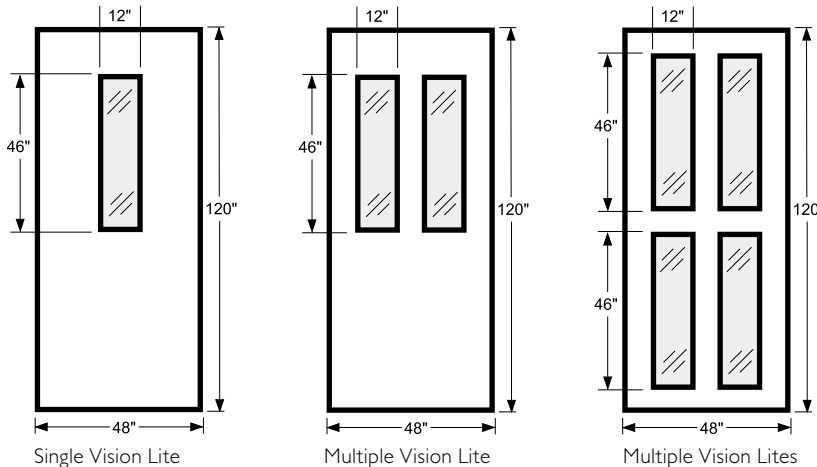
Color: White

### Sectional View of Applications



### Technical Data For 90-Minute Hollow Metal Doors Equipped With FG3000S90 (Metal Vision Frame, Single And Multiple Lite Applications)

#### Lite Configurations



The maximum visible glass area allowed for single lites is 12" wide x 46" high or 552 square inches per vision lite; for multiple lites, the largest approved door configuration is two (2) vision lites at 12" wide x 46" high above two (2) vision lites at 12" wide x 46" high (as shown at far right). No more than four (4) lites are allowed per door, and the combined total visible glass area allowed is 2,208 square inches per door.

| Lite Specifications   | Door Specification  | Listing/Labeling Specifications   |
|---|---|---|
| <p><b>Maximum Dimensions (Single Lite):</b><br/>12" wide x 46" high, 552 square inches per lite</p> <p><b>Maximum Combined Dimensions (Multiple Lites):</b><br/>Multiple vision lites are allowed in 90-minute doors, but the combined total visible glass area allowed is 2,208 square inches per door. No more than four (4) lites are allowed per door. The largest approved configuration is above two (2) vision lites at 12" wide x 46" high above two vision lites at 12" wide x 46" high.</p> | <p><b>Maximum Dimensions:</b><br/>For 90-minute doors, the maximum hollow metal door size is 48" x 120" single, pairs approved.</p> | <ul style="list-style-type: none"> <li>• Door and frame must be manufactured by companies that are classified by <b>Underwriters Laboratories Inc.®</b> for the manufacturing and labeling of hollow metal fire doors. <b>Warnock Hersey (I.T.S.)</b> listings are also available through participating hollow metal manufacturers</li> <li>• Listed Glazing Products include: <ul style="list-style-type: none"> <li>– <b>Wire Glazing:</b> Pilkington, Asahi and Central Glass</li> </ul> </li> <li>• Individual door and frame manufacturers' modification procedures may vary slightly from the size listings shown.</li> </ul> |

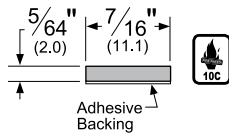
## FG3000S90 Fire Glazing Tape in 60- and 90-Minute Wood Doors

### Metal Vision Frame Applications

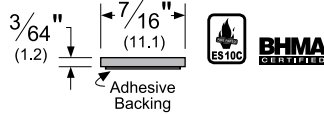
- Verify all applications with your door and/or frame manufacturer
- For exterior fire-rated applications, a clear silicone caulk is recommended for water proofing

### FG3000S90

AVAILABLE LENGTHS: 8', 16'

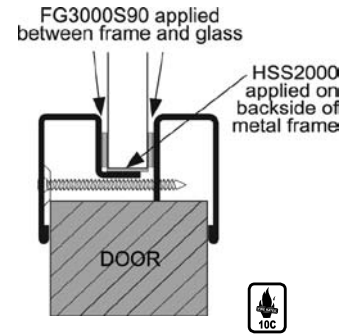


### HSS2000



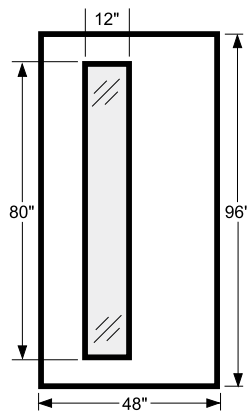
HSS2000 is required to be installed with FG3000S90 for positive pressure applications only. For more information about HSS2000, please see the Adhesive Gasketing section.

### Sectional View of Applications

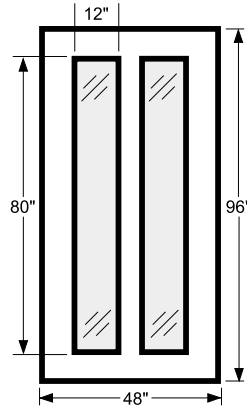


### Technical Data For 60- And 90-Minute Wood Doors Equipped With FG3000S90 & HSS2000 (Metal Vision Frame, Single And Multiple Lite Applications)

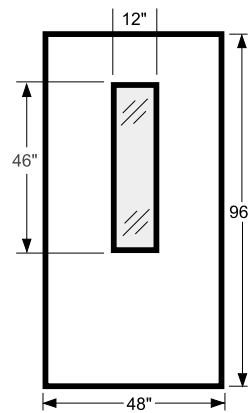
### Lite Configurations



Single Vision Lite,  
60-Minute Door



Multiple Vision Lites,  
60-Minute Door



Single Vision Lite,  
90-Minute Door

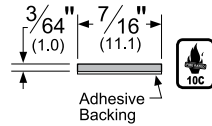
The maximum visible glass area allowed for 60-minute single lites is 12" wide x 80" high or 960 square inches per vision lite; 90-minute doors are allowed a maximum visible glass area of 12" wide x 46" high or 552 square inches per vision lite. Multiple lites (allowed on 60-minute doors only) have a maximum combined visible glass area of 1,920 square inches per door.

| Lite Specifications   | Door Specification  | Listing/Labeling Specifications  |
|---|---|--|
| <p><b>Maximum Dimensions (Single Lite, 60-Minute):</b> 12" wide x 80" high; 960 square inches per lite</p> <p><b>Maximum Dimensions (Single Lite, 90-Minute):</b> 12" wide x 46" high; 552 square inches per lite</p> <p><b>Maximum Combined Dimensions (Multiple Lites, 60-Minute):</b> Multiple vision lites are allowed in 60-minute doors only; the combined total visible glass area allowed is 1,920 square inches per door</p> | <p><b>Maximum Dimensions:</b></p> <p>For both 60- and 90-minute doors, the maximum wood door size is 48" x 96" single, pairs approved</p> | <ul style="list-style-type: none"> <li>• Door must be manufactured by companies that are classified by <b>Underwriters Laboratories Inc.®</b> for the manufacturing and labeling of hollow metal fire doors. <b>Warnock Hersey (I.T.S.)</b> listings are also available through participating hollow metal manufacturers.</li> <li>• Listed Glazing Products include: <ul style="list-style-type: none"> <li>– <b>Wire Glazing:</b> Pilkington, Asahi and Central Glass</li> </ul> </li> <li>• Individual door and frame manufacturers' modification procedures may vary slightly from the size listings shown</li> <li>• <b>HSS2000</b> is required on Positive Pressure applications only</li> </ul> |

## FG3000S45 Fire Glazing Tape in 20- and 45-Minute Wood Doors and Frames

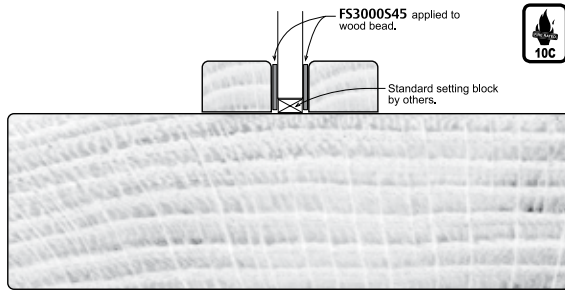
### FG3000S45

AVAILABLE LENGTHS:  
7', 8', 14', 16'



- Verify all applications with your door and/or frame manufacturer
- For exterior fire-rated applications, seal against moisture using standard industry methods
- Wood vision frames rated 20-minute and 45-minute
- Wood sidelite frames rated 20-minute and 45-minute
- Wood borrowed lite frames rated 20-minute and 45-minute

### Technical Data For 20-Minute Wood Sidelite Frame/Wood Lite Bead/Clear Tempered Glass



**Maximum Visible Glazing Dimensions (Sidelite):**  
32<sup>7</sup>/<sub>8</sub>" x 87<sup>13</sup>/<sub>16</sub>"

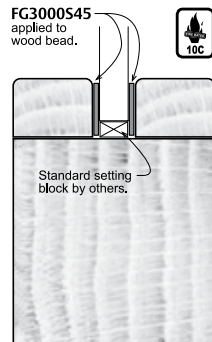
**Glazing Materials (Sidelite):**

- PyroEdge 20™ by Interedge Technologies
- Fireglass 20™ by Technical Glass Products

**Listing/Labeling Specifications:**

- Positive Pressure Tested and Listed
- Verify availability with door and frame manufacturer

### Technical Data For 20-Minute Full Lite Wood Door/Wood Lite Frame/Clear Tempered Glass



**Maximum Visible Glazing Dimensions (Lite):**

- (4'0" x 8'0" Door): 32<sup>7</sup>/<sub>8</sub>" x 75<sup>13</sup>/<sub>16</sub>"
- (4'0" x 8'0" Door): 32<sup>7</sup>/<sub>8</sub>" x 75<sup>13</sup>/<sub>16</sub>"

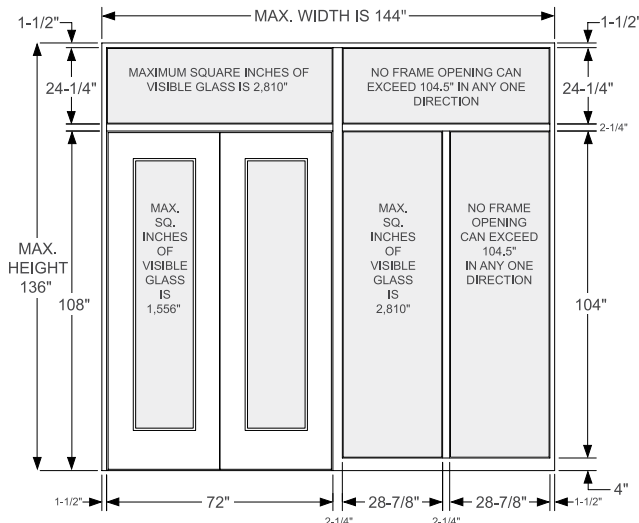
**Glazing Materials (Sidelite):**

- PyroEdge 20™ by Interedge Technologies
- Fireglass 20™ by Technical Glass Products

**Listing/Labeling Specifications:**

- Positive Pressure Tested and Listed
- Verify availability with door and frame manufacturer

### Technical Data For: 20- And 45-Minute Full Lite Wood Door/Wood Lite Frame With Wire Glass Or FireLite™, 20- And 45-Minute Wood Sidelite Frame/Borrowed Lite Frame/Transom Lite Frame With Wire Glass Or FireLite™



**Lite Specifications (see diagram at left):**

- Positive Pressure Tested and Listed
- Large visible glazing areas
- Wire Glass and FireLite™
- Verify availability with door and frame manufacturer.

**Contact These Manufacturers:**

**Navy Island, Inc.**  
275 Marie Ave East, West St Paul, MN 55118  
Phone: 651.451.4454, Fax: 651.451.4484

**Eggers Industries - Frame Plant**  
1819 East River Street, Two Rivers, WI 54241  
Phone: 920.793.1351, Fax: 920.793.2958



# DOOR & FRAME ACCESSORIES

## CONTENTS:

|                                     |           |
|-------------------------------------|-----------|
| Anchors.....                        | DA-2-DA-3 |
| Reinforcements - Fillers.....       | DA-4-DA-6 |
| Reinforcements - Miscellaneous..... | DA-6-DA-8 |
| Reinforcements - Tabs.....          | DA-8-DA-9 |
| Door Channel - Top Caps.....        | DA-10     |

## INDEX:

| PRODUCT       | PAGE  | PRODUCT       | PAGE | PRODUCT        | PAGE  |
|---------------|-------|---------------|------|----------------|-------|
| BA5-50PK..... | DA-2  | GS4-20PK..... | DA-3 | RF1-25PK.....  | DA-7  |
| BA6-50PK..... | DA-2  | HF1-25PK..... | DA-4 | SB1-25PK.....  | DA-5  |
| BA8-50PK..... | DA-2  | HF2-25PK..... | DA-4 | SB2-25PK.....  | DA-5  |
| CA1-50PK..... | DA-2  | HF3-25PK..... | DA-4 | SB3-25PK.....  | DA-5  |
| CA2-50PK..... | DA-2  | HF4-25PK..... | DA-4 | SB4-25PK.....  | DA-5  |
| CB1-50PK..... | DA-4  | HF5-25PK..... | DA-4 | SB5-25PK.....  | DA-5  |
| CB2-50PK..... | DA-4  | HF6-25PK..... | DA-4 | SR1-10PK.....  | DA-7  |
| CB3-50PK..... | DA-4  | HR1-50PK..... | DA-8 | SR2-10PK.....  | DA-7  |
| CR2-5PK.....  | DA-7  | HR2-50PK..... | DA-8 | TC1-10PK.....  | DA-10 |
| CR3-20PK..... | DA-7  | HR3-50PK..... | DA-8 | TC2-10PK.....  | DA-10 |
| DC1-10PK..... | DA-10 | HR4-50PK..... | DA-8 | TC3-10PK.....  | DA-10 |
| DC2-10PK..... | DA-10 | HS1-50PK..... | DA-6 | WA1-100PK..... | DA-3  |
| DC3-10PK..... | DA-10 | HS2-50PK..... | DA-6 | XT1-100PK..... | DA-2  |
| DT1-50PK..... | DA-9  | HS3-50PK..... | DA-6 | XW1-100PK..... | DA-3  |
| DT3-50PK..... | DA-9  | HS4-50PK..... | DA-6 | XW2-100PK..... | DA-3  |
| DT4-50PK..... | DA-8  | LA1-25PK..... | DA-6 | XW3-100PK..... | DA-3  |
| DT5-50PK..... | DA-8  | LF1-25PK..... | DA-5 | XW4-100PK..... | DA-3  |
| EA1-25PK..... | DA-6  | LF2-25PK..... | DA-5 | XW5-100PK..... | DA-3  |
| FT1-50PK..... | DA-9  | LF3-25PK..... | DA-5 | XW6-100PK..... | DA-3  |
| FT2-50PK..... | DA-9  | LF4-50PK..... | DA-4 | XW7-100PK..... | DA-3  |
| FT3-50PK..... | DA-8  | LF5-25PK..... | DA-5 | XW8-100PK..... | DA-3  |
| FT4-50PK..... | DA-9  | LF6-25PK..... | DA-5 | XW9-100PK..... | DA-3  |
| FT5-50PK..... | DA-9  | MA4-25PK..... | DA-2 | ZA5-100PK..... | DA-2  |
| GS1-20PK..... | DA-3  | MA5-25PK..... | DA-2 | ZA6-100PK..... | DA-2  |
| GS2-20PK..... | DA-3  | MB1-50PK..... | DA-6 | ZA8-100PK..... | DA-2  |
| GS3-20PK..... | DA-3  |               |      |                |       |



## Anchors

### Base Anchors (Weld-in Type)

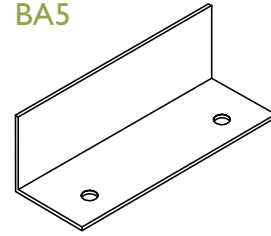
- Holes in one side for anchoring 1 $\frac{5}{8}$ " x 1 $\frac{5}{8}$ "
- .065 - 16 gauge galvanized steel
- Sold in 50 packs only

**BA5-50PK** Base anchor, for 4 $\frac{3}{4}$ " and 5 $\frac{3}{4}$ " masonry frames

**BA6-50PK** Base anchor, for 6 $\frac{3}{4}$ " and 7 $\frac{3}{4}$ " masonry frames

**BA8-50PK** Base anchor, for 8 $\frac{3}{4}$ " masonry frames

BA5



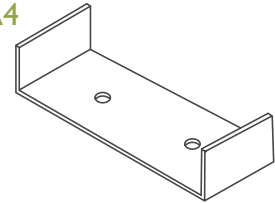
### Mullion Base Anchors

- For 2" face frames. Two (2) holes for anchoring
- .083 - 14 gauge galvanized steel
- Sold in 25 packs only

**MA4-25PK** Mullion base anchor, 4 $\frac{3}{4}$ " length

**MA5-25PK** Mullion base anchor, 5 $\frac{3}{4}$ " length

MA4



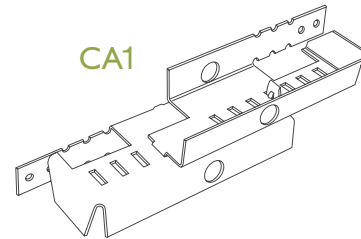
### Combination Adjustable Stud Anchors

- Adjustable - saves time and is easy to install for a wider range of frames
- 18 gauge electro zinc finish
- Two (2) pieces per anchor (1 set)
- Sold in 50 packs only

**CA1-50PK** Adjustable stud anchor for 4 $\frac{3}{4}$ " and 5 $\frac{3}{4}$ " masonry frames

**CA2-50PK** Adjustable stud anchor for 6 $\frac{3}{4}$ " to 8 $\frac{3}{4}$ " masonry frames

CA1



### Z Anchors (Weld-in Type)

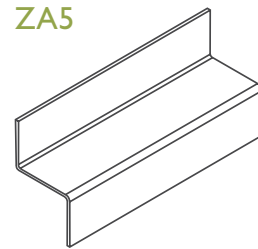
- For stud walls built inside of frame jambs
- .049 - 18 gauge galvanized steel
- Sold in 100 packs only

**ZA5-100PK** Weld-in Z anchor, for 4 $\frac{3}{4}$ " and 5 $\frac{3}{4}$ " masonry frames

**ZA6-100PK** Weld-in Z anchor, for 6 $\frac{3}{4}$ " and 7 $\frac{3}{4}$ " masonry frames

**ZA8-100PK** Weld-in Z anchor, for 8 $\frac{3}{4}$ " masonry frames

ZA5

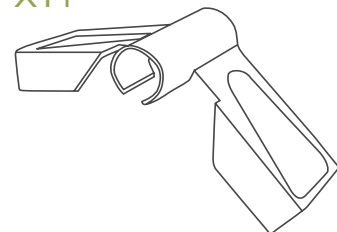


### Adjustable Wall Anchors

- Butterfly design
- .065 galvanized steel
- Sold in 100 packs only

**XT1-100PK** Twist-in existing wall anchor, 4 $\frac{3}{4}$ " to 6 $\frac{3}{4}$ "

XT1



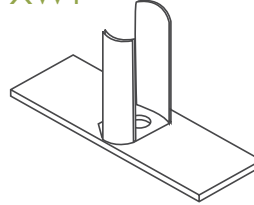
## Anchors (Cont.)

### Existing Wall Anchors

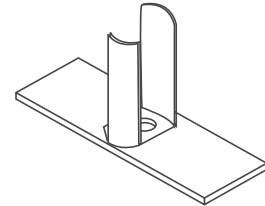
- Ideal for all existing wall applications
- For 4 $\frac{3}{4}$ " to 8 $\frac{3}{4}$ " frames
- Sold in 100 packs only

|                  |  |
|------------------|--|
| <b>XW1-100PK</b> | 4 $\frac{3}{4}$ " existing wall anchor, unequal rabbet |
| <b>XW2-100PK</b> | 5 $\frac{3}{4}$ " existing wall anchor, equal rabbet   |
| <b>XW3-100PK</b> | 5 $\frac{3}{4}$ " existing wall anchor, unequal rabbet |
| <b>XW4-100PK</b> | 6 $\frac{3}{4}$ " existing wall anchor, equal rabbet   |
| <b>XW5-100PK</b> | 6 $\frac{3}{4}$ " existing wall anchor, unequal rabbet |
| <b>XW6-100PK</b> | 7 $\frac{3}{4}$ " existing wall anchor, equal rabbet   |
| <b>XW7-100PK</b> | 7 $\frac{3}{4}$ " existing wall anchor, unequal rabbet |
| <b>XW8-100PK</b> | 8 $\frac{3}{4}$ " existing wall anchor, equal rabbet   |
| <b>XW9-100PK</b> | 8 $\frac{3}{4}$ " existing wall anchor, unequal rabbet |

**XW1**



**XW4**

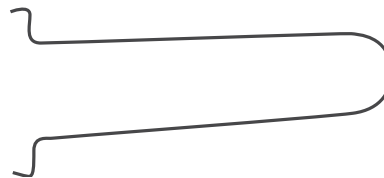


## Wire Masonry Anchors

- For masonry frames
- Sold in 100 packs only

### WA1-100PK

**WA1**



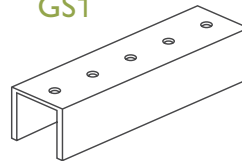
## Glazing Bead/Spreaders Bar

### Glazing Bead

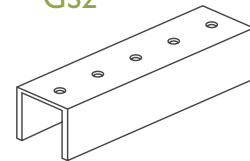
- Sold in 20 packs only
- No fasteners supplied

|                 |   |
|-----------------|---|
| <b>GS1-20PK</b> | <ul style="list-style-type: none"> <li>• 5/8" x 5/8" x 8'0"</li> <li>• Punched and countersunk for #8 screw</li> <li>• Hole spacings are 6" from ends and 12" on center</li> <li>• .049 18 gauge A40 galvanized steel</li> </ul>  |
| <b>GS2-20PK</b> | <ul style="list-style-type: none"> <li>• 5/8" x 5/8" x 10'0"</li> <li>• Punched and countersunk for #8 screw</li> <li>• Hole spacings are 6" from ends and 12" on center</li> <li>• .049 18 gauge A40 galvanized steel</li> </ul> |
| <b>GS3-20PK</b> | <ul style="list-style-type: none"> <li>• 5/8" x 5/8" x 10'0"</li> <li>• Blank (no holes)</li> <li>• .049 18 gauge A40 galvanized steel</li> </ul>   |
| <b>GS4-20PK</b> | <ul style="list-style-type: none"> <li>• 5/8" x 5/8" x 3'0"</li> <li>• Blank (no holes)</li> <li>• .049 18 gauge A40 galvanized steel</li> </ul>  |

**GS1**



**GS2**



**GS3**



**GS4**



## Reinforcements - Fillers

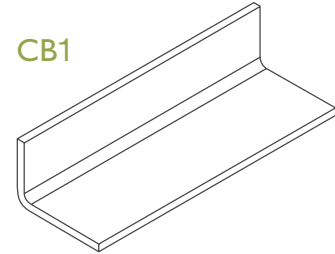
### Corner Fillers

- Holes in one side for anchoring  $1\frac{5}{8}" \times 1\frac{5}{8}"$
- .065 - 16 gauge galvanized steel
- Sold in 50 packs only

**CB1-50PK** • 2" face frame corner filler.  
•  $\frac{5}{8}" \times \frac{7}{16}"$  lip  $\times 1\frac{13}{16}"$  wide

**CB2-50PK** • 2- $\frac{5}{8}"$  face frame corner filler.  
•  $\frac{5}{8}" \times \frac{7}{16}"$  lip  $\times 2\frac{7}{16}"$  wide

**CB3-50PK** • 4" face frame corner filler.  
•  $\frac{5}{8}" \times \frac{7}{16}"$  lip  $\times 3\frac{13}{16}"$  wide



### Door Hinge Filler Plates

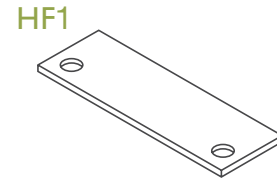
- Two (2) #12-24  $\times \frac{1}{2}"$  F.H.M.S. included
- Sold in 25 packs only

**HF1-25PK** • 4 $\frac{1}{2}"$  hinge filler for beveled edge (handed) doors  
•  $1\frac{1}{2}" \times 4\frac{1}{2}" \times .134$  HRPO, prime painted

**HF2-25PK** • 4- $\frac{1}{2}"$  hinge filler for square edge (non-handed) doors  
•  $1\frac{3}{4}" \times 4\frac{1}{2}" \times .134$  HRPO, prime painted

**HF4-25PK** • 5" hinge filler for beveled edge (handed) doors  
•  $1\frac{1}{2}" \times 5" \times .146$  HRPO, prime painted

**HF5-25PK** • 5" hinge filler for square edge (non-handed) doors  
•  $1\frac{3}{4}" \times 5" \times .146$  HRPO, prime painted

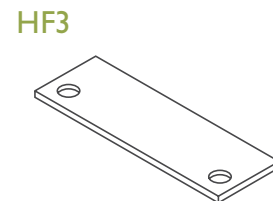


### Frame Hinge Filler Plates

- For  $1\frac{3}{4}"$  rabbeted frames
- Two (2) #12-24  $\times \frac{1}{2}"$  F.H.M.S.
- Sold in 25 packs only

**HF3-25PK** • 4 $\frac{1}{2}"$  hinge filler for frames.  
•  $1\frac{5}{8}" \times 4\frac{1}{2}" \times .134$  HRPO, prime painted

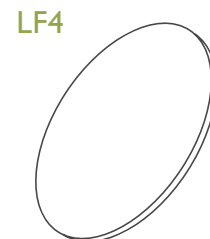
**HF6-25PK** • 5" hinge filler for frames  
•  $1\frac{5}{8}" \times 5" \times .134$  HRPO, prime painted



### Hole Covers

- Sold in 50 packs only

**LF4-50PK** • 2 $\frac{1}{8}"$  hole covers  
• For 160 & 161 cylinder holes  
• 2 $\frac{3}{32}"$  diameter  $\times .049$  galvanized steel



FHMS (Flat-head Machine Screw) HRPO (Hot rolled, pickled & oiled)

## Reinforcements - Fillers (Cont.)

### Door Face Filler Plates

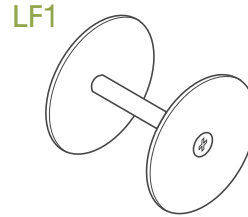
- One (1) 8-32 thru bolt included
- Sold in 25 packs only

#### LF1-25PK

- 2 $\frac{1}{8}$ " screw-in hole cover
- For 160 & 161 cylinder holes
- 2 $\frac{5}{8}$ " diameter x .049 galvanized steel, prime painted

#### LF5-25PK

- For 1 $\frac{1}{2}$ " cylinder holes
- 1 $\frac{3}{4}$ " diameter x .049 galvanized steel, prime painted



### Door Edge Filler Plates

- Sold in 25 packs only

#### LF2-25PK

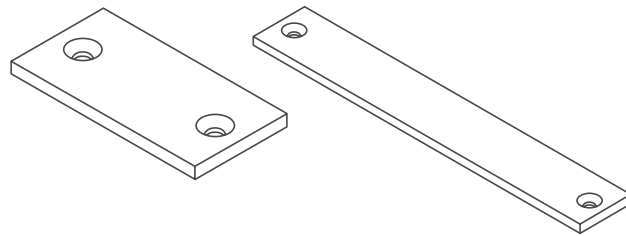
- For government 161 latch
- 1 $\frac{1}{8}$ " x 2 $\frac{1}{4}$ " x .134 CRS, prime painted
- Two (2) #8-32 x  $\frac{1}{2}$ " F.H.M.S. included

#### LF3-25PK

- For government 86 mortise lock face
- 1 $\frac{1}{4}$ " x 8" x .187 HRPO, prime painted
- Two (2) #12-24 x  $\frac{1}{2}$ " F.H.M.S. included

LF2

LF3



### Flush Bolt Filler Plates

- Sold in 25 packs only

#### LF6-25PK

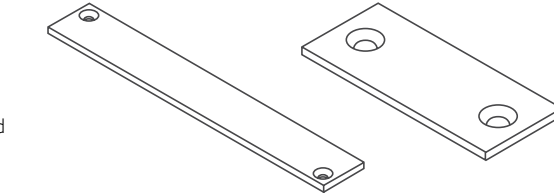
- Flush bolt filler
- Two (2) #8-32 x  $\frac{1}{2}$ " F.H.M.S. included
- 1" x 6 $\frac{3}{4}$ " x .134 CRS, prime painted

#### SB5-25PK

- Flush bolt strike filler
- 1 $\frac{5}{16}$ " x 2 $\frac{1}{4}$ " .075 galvanized steel, prime painted

LF6

SB5



### Strike Filler Plates

- Sold in 25 packs only

#### SB1-25PK

- For 4 $\frac{7}{8}$ " strike
- 1 $\frac{1}{4}$ " x 4 $\frac{7}{8}$ " x .095 CRS, prime painted
- Two (2) #12-24 x  $\frac{1}{2}$ " F.H.M.S. included

#### SB2-25PK

- For 4 $\frac{7}{8}$ " deadlock strike, no lip
- 1 $\frac{1}{4}$ " x 4 $\frac{7}{8}$ " x .095 CRS, prime painted
- Two (2) #12-24 x  $\frac{1}{2}$ " F.H.M.S. included

#### SB3-25PK

- For 2 $\frac{3}{4}$ " T-strike
- 1 $\frac{1}{8}$ " x 2 $\frac{3}{4}$ " x .083 galvanized steel, prime painted
- Two (2) #8-32 x  $\frac{1}{2}$ " F.H.M.S. included

#### SB4-25PK

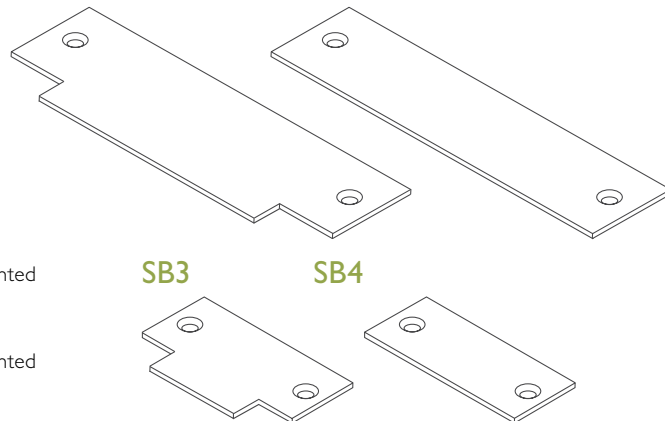
- For Schlage B lock and other deadlock strikes
- 1 $\frac{1}{8}$ " x 2 $\frac{3}{4}$ " x .083 galvanized steel, prime painted
- Two (2) #8-32 x  $\frac{1}{2}$ " F.H.M.S. included

SB1

SB2

SB3

SB4



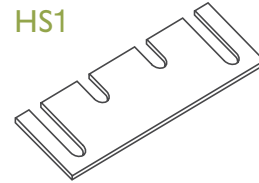
CRS (Cold Rolled Steel) FHMS (Flat-head Machine Screw) HRPO (Hot rolled, pickled & oiled)

## Reinforcements - Fillers (Cont.)

### Shims

Sold in 50 packs only.

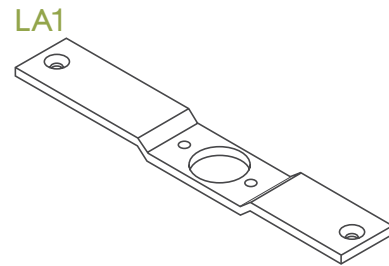
- HS1-50PK**
- 22 gauge 4½" hinge shim
  - 1⅞" x 4½" x .028 galvanized steel
- HS2-50PK**
- 16 gauge 4½" hinge shim
  - 1⅞" x 4½" x .065 galvanized steel
- HS3-50PK**
- 22 gauge 5" hinge shim
  - 1⅞" x 5" x .028 galvanized steel
- HS4-50PK**
- 16 gauge 5" hinge shim
  - 1⅞" x 5" x .065 galvanized steel



### Latch Adapters

- Mortise lock to bored latch adapter
- Sold in 25 packs only

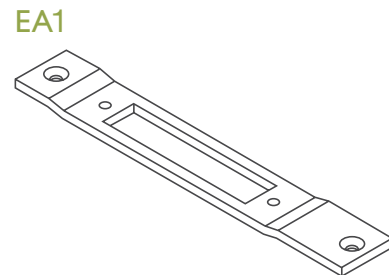
- LA1-25PK**
- For 86 lock edge to 161 latch
  - 161 latch position offset ¾"
  - HRPO, prime painted
  - Two (2) #12-24 M.S. included



### Strike Adapters

- Mortise lock edge to 47/8" strike adapter
- Sold in 25 packs only

- EA1-25PK**
- For 86 lock edge to ASA strike
  - Strike prep is offset 1/8"
  - Inside cutout dimension is ¾" wide x 3½" long
  - HRPO, prime painted
  - Two (2) #12-24 M.S. included

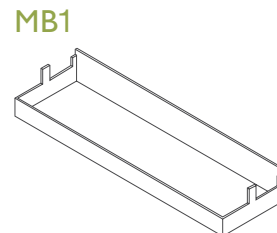


## Reinforcements - Misc.

### Mortar Box

- Hinge mortar box
- Sold in 50 packs only

### MB1-50PK



HRPO (Hot rolled, pickled & oiled) MS (Machine Screw)

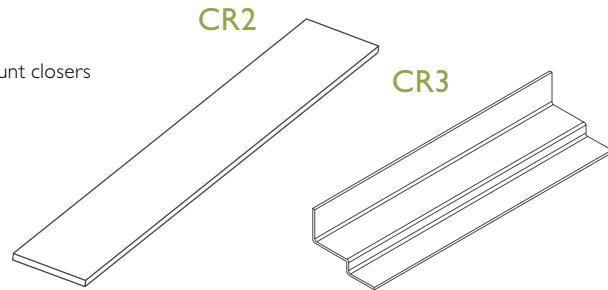
## Reinforcements - Misc. (Cont.)

### Weld-In Reinforcements

- Weld-in closer reinforcement
- CR2 sold in 5 packs only
- CR3 sold in 20 packs only

- CR2-5PK**
- 12" flat closer reinforcement for standard and PA mount closers
  - 1 $\frac{3}{4}$ " x 12" x .134 - 10 gauge HRPO

- CR3-20PK**
- Half sleeve closer reinforcement for 2" face frame.
  - For 14" standard mount and PA closers
  - 14" long x .109 - 14 gauge HRPO



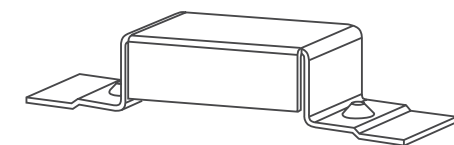
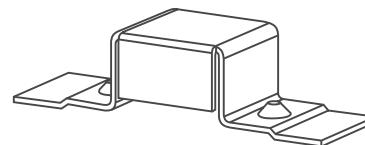
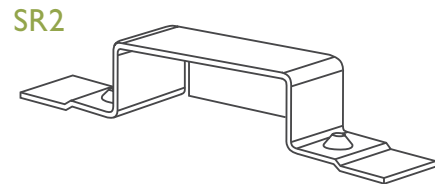
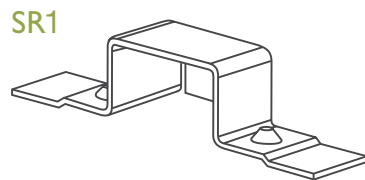
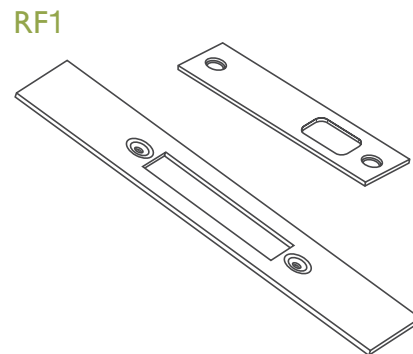
### Weld-in Strike Combination Reinforcement & Dust Cover/Reversible Flush Bolt Strike

- RF1 sold in 25 packs only
- SR1 and SR2 sold in 10 packs only

- RF1-25PK**
- Reversible flush bolt strike reinforcement - 7" x 1 $\frac{1}{2}$ " x 14 gauge
  - Includes 3 $\frac{3}{4}$ " x 1 $\frac{1}{8}$ " x 16 gauge reversible strike plate
  - Both parts CRS, prime painted

- SR1-10PK**
- 2 $\frac{3}{4}$ " T-strike reinforcing
  - 16 gauge CRS

- SR2-10PK**
- For use with standard ASA or 4 $\frac{7}{8}$ " strike in frame
  - 16 gauge CRS



CRS (Cold Rolled Steel) FHMS (Flat-head Machine Screw) HRPO (Hot rolled, pickled & oiled)

## Reinforcements - Misc. (Cont.)

### Hinge Reinforcements

- 1¼" x 9" x .187 HRPO
- Holes tapped #12-24. Fits door and frames
- Sold in 50 packs only

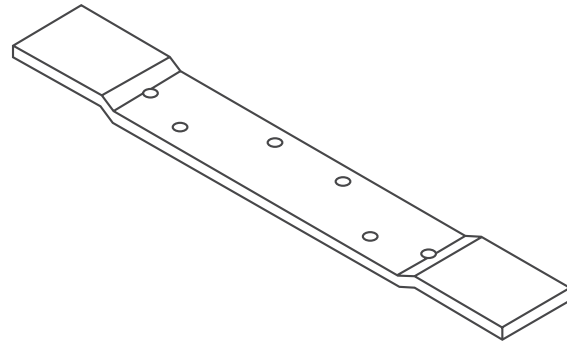
**HR1-50PK** • For 4½" x .180 heavy weight hinges

**HR2-50PK** • For 4½" x .134 regular weight hinges

**HR3-50PK** • For 5" x .190 heavy weight hinges

**HR4-50PK** • For 5" x .146 regular weight hinges

HR1



## Reinforcements - Tabs

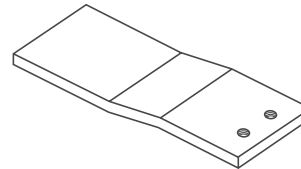
### Flush Bolt Tabs

- 1" x 2½" x .109 HRPO
- Two holes tapped #8-32
- Sold in 50 packs only

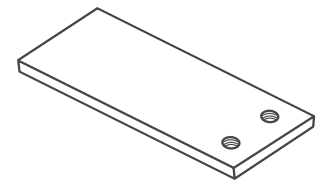
**DT4-50PK** • For doors, 1" face flush bolts - ⅜" offset

**DT5-50PK** • For doors, 1" face flush bolts - no offset

DT4



DT5

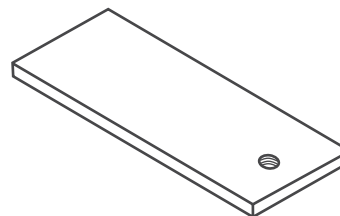


### Flush Bolt Strike Tabs

- For strike in header bars - no offset
- 1" x 2½" x .109 HRPO
- Hole tapped #8-32
- Sold in 50 packs only

**FT3-50PK**

FT3



HRPO (Hot rolled, pickled & oiled)



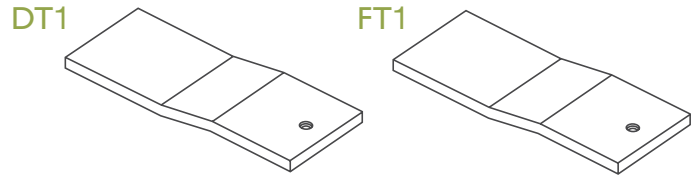
## Reinforcements - Tabs (Cont.)

### Dead Lock/Spring Latch/Lock Strike Tabs

- 1" x 2½" x .109 HRPO
- Hole tapped #8-32
- Sold in 50 packs only

**DT1-50PK** • For 160 & 161 latch bolts -  $\frac{3}{32}$ " offset

**FT1-50PK** • For 160 & 161 latch bolts -  $\frac{1}{16}$ " offset



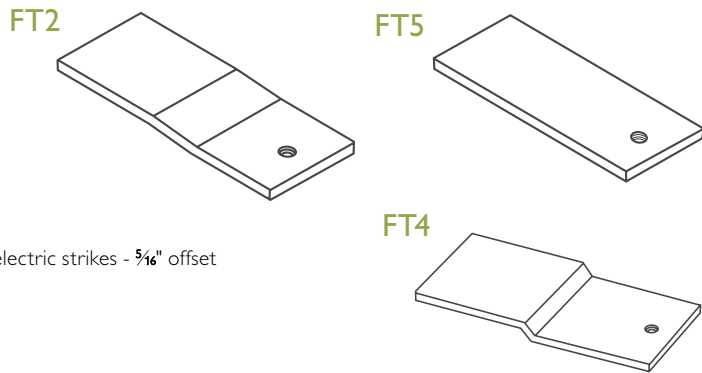
### Strike Tabs

- 1" x 2½" x .109 HRPO
- Hole tapped 12-24
- Sold in 50 packs only

**FT2-50PK** • For 4¾" ASA strikes -  $\frac{1}{16}$ " offset

**FT4-50PK** • For Von Duprin, Folger Adams and other electric strikes -  $\frac{5}{16}$ " offset

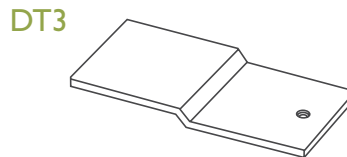
**FT5-50PK** • For strikes in frame - no offset



### Lock Edge Tabs

- Mortise lock tab
- 1" x 2½" x .109 HRPO
- Hole tapped #12-24
- Sold in 50 packs only

**DT3-50PK** • For government 86 locks -  $\frac{1}{8}$ " offset



HRPO (Hot rolled, pickled & oiled)

## Door Channels & Top Caps

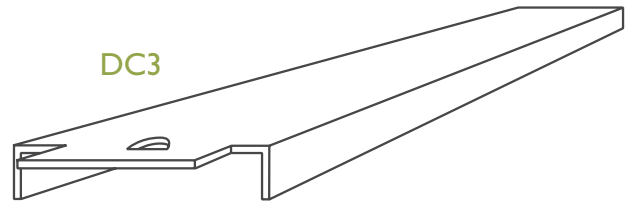
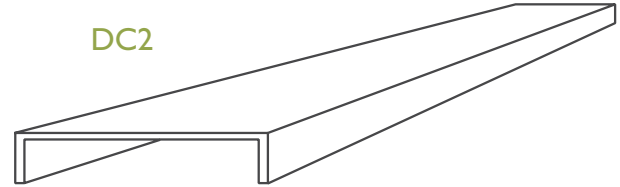
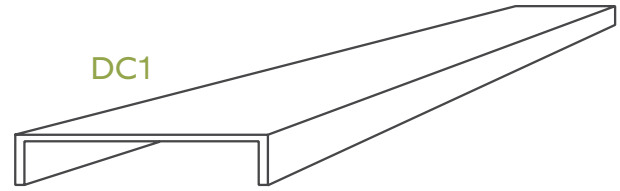
### Door Channels

- $\frac{1}{2}$ " x  $1\frac{5}{8}$ " x  $\frac{1}{2}$ " - .049 - 18 gauge galvanized steel
- Sold in 10 packs only

**DC1-10PK** • For use when cutting doors in height and width 10'0"

**DC2-10PK** • For use when cutting doors in height and width 8'0"

**DC3-10PK** • Door cap with flush bolt guide  
 • For use when cutting doors in height  
 • Channels are notched at each end  
 • 4'0"  
 • Specify nominal door width when ordering



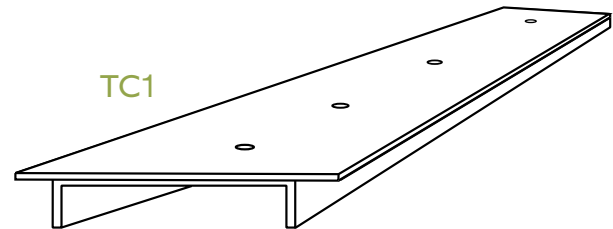
### Screw-in Flush Top Caps

- Holes are punched and countersunk
- Specify nominal door width when ordering
- $\frac{1}{2}$ " x  $1\frac{7}{16}$ " x  $\frac{1}{2}$ " .035 20 gauge galvanized steel channel
- #6 x  $1\frac{7}{8}$ " TEK Bugle head included
- Sold in 10 packs only

**TC1-10PK** • Screw in flush top cap 3'0"

**TC2-10PK** • Screw in flush top cap 3'6"

**TC3-10PK** • Screw in flush top cap 4'0"







**ASSA ABLOY**

ASSA ABLOY, the global leader  
in door opening solutions



**Memphis, TN USA**  
P.O. Box 18966  
Memphis, TN 38 181  
P: 800.824.3018  
F: 800.243.3656

**Ventura, CA USA**  
P.O. Box 3780  
Ventura, CA 93006  
P: 800.283.9988  
F: 800.283.4050

**Vancouver, BC Canada**  
103-2480 Mt. Lehman Rd.  
Abbotsford, BC V2T 6W3  
P: 877.535.7888  
F: 877.535.7444

**Toronto, ON Canada**  
160 Four Valley Dr.  
Vaughan, ON L4K 4T9  
P: 877.535.7888  
F: 877.535.7444

Copyright © 2012 Pemko Manufacturing Company, an ASSA ABLOY Group company. All rights reserved.  
Reproduction in whole or in part without the express written permission of Pemko Manufacturing Company is prohibited.

[www.pemko.com](http://www.pemko.com)

80032 7/12