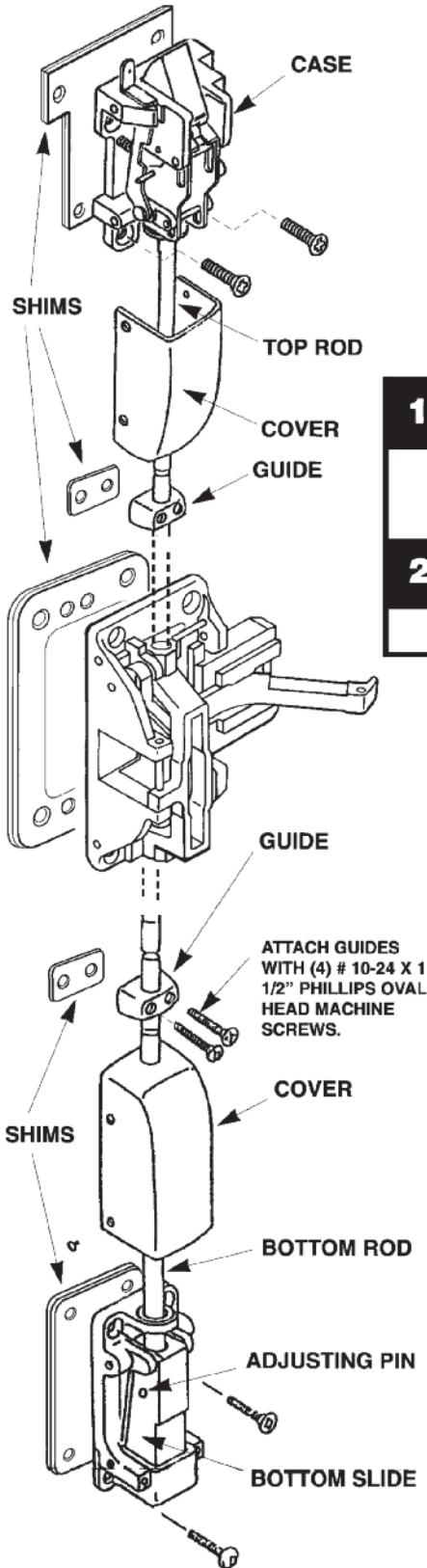


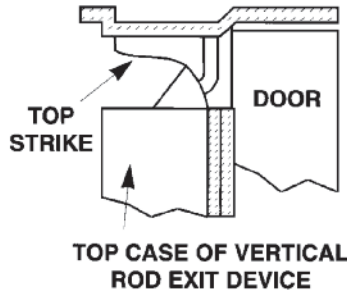
## INSTALLATION INSTRUCTIONS For Mounting Exit Device with Glass Bead Shim Kit

FOR INSTALLATION ASSISTANCE CALL SARGENT AT 1-800-727-5477 • www.sargentlock.com

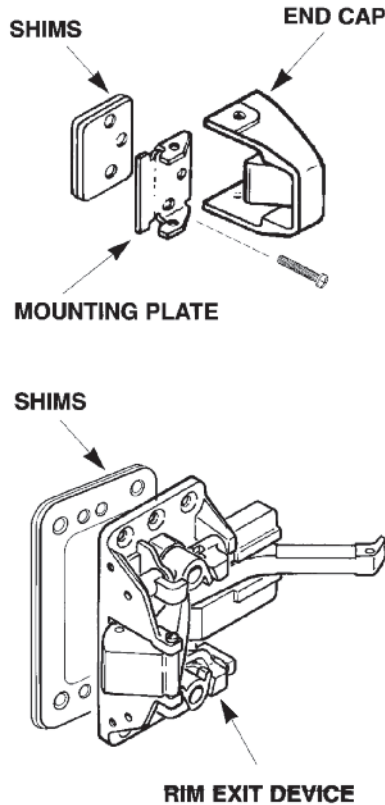
### Vertical Rod *Fire* Exit Device



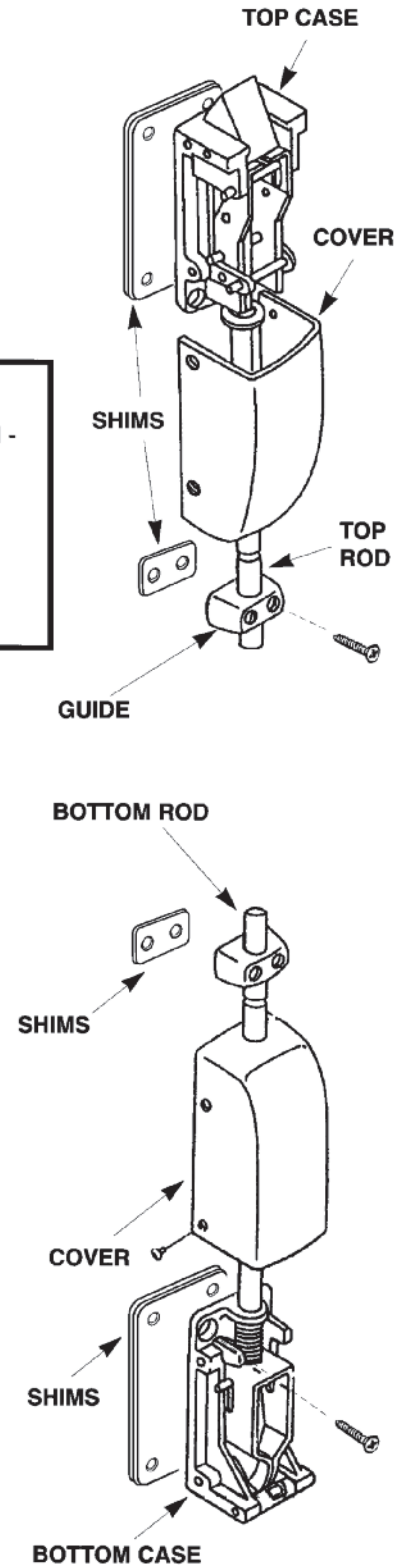
### FRAME



- 1 PLACE SHIM PLATES UNDER THE EXIT DEVICE AS ILLUSTRATED, (1/4" MAXIMUM - NOT TO EXCEED 2 PLATES).
- 2 USE SCREWS PROVIDED IN THE SCREW PACK TO ATTACH THE EXIT DEVICE AND SHIMS TO THE DOORS.



### Vertical Rod *Panic* Exit Device



Copyright © 2009, Sargent Manufacturing Company, an ASSA ABLOY Group company. All rights reserved. Reproduction in whole or in part without the express written permission of Sargent Manufacturing Company is prohibited.