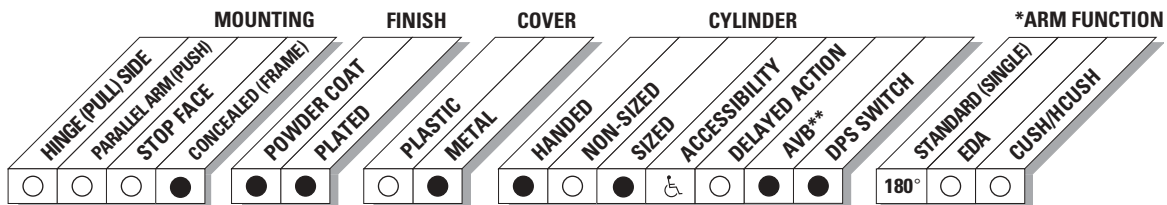


The concealed 2210 Series, heavy duty, high security track closer features complete concealment with special components to minimize tampering and vandalism. Forged steel, single lever arm and heavy steel mounting plate are designed for correctional, vandal prone, institutional, and other high traffic applications. A choice of finishes and cylinder functions meet correctional and vandal resistant requirements.

- ▶ Standard 2210 series closer shipped with standard arm, security track (non hold-open), two piece metal cover plate, and TORX machine screw pack. For options see 2210 Series page 5.
- ▶ Sized cylinders for interior doors to 4'6" and exterior doors to 3'6".
- ▶ Concealed cylinder mounts in head frame, specify right or left swinging door.
- ▶ Optional door position switch (DPS). Limited two year warranty.
- ▶ Closers to meet ADA requirements. See 2210 Series page 6.
- ▶ Standard or optional custom powder coat finish.
- ▶ Optional SRI primer for installations in corrosive conditions.
- ▶ The 2210 Series is UL listed for self-closing doors.
- ▶ Tested and certified under ANSI A156.4.



● Available
○ Not available

♿ Closer available with less than 5.0 lbs. opening force on 36" door.
*Maximum opening with standard template.
** Advanced Variable Backcheck

LCN 2210 SERIES

MOUNTING DETAILS

CONCEALED MOUNTING

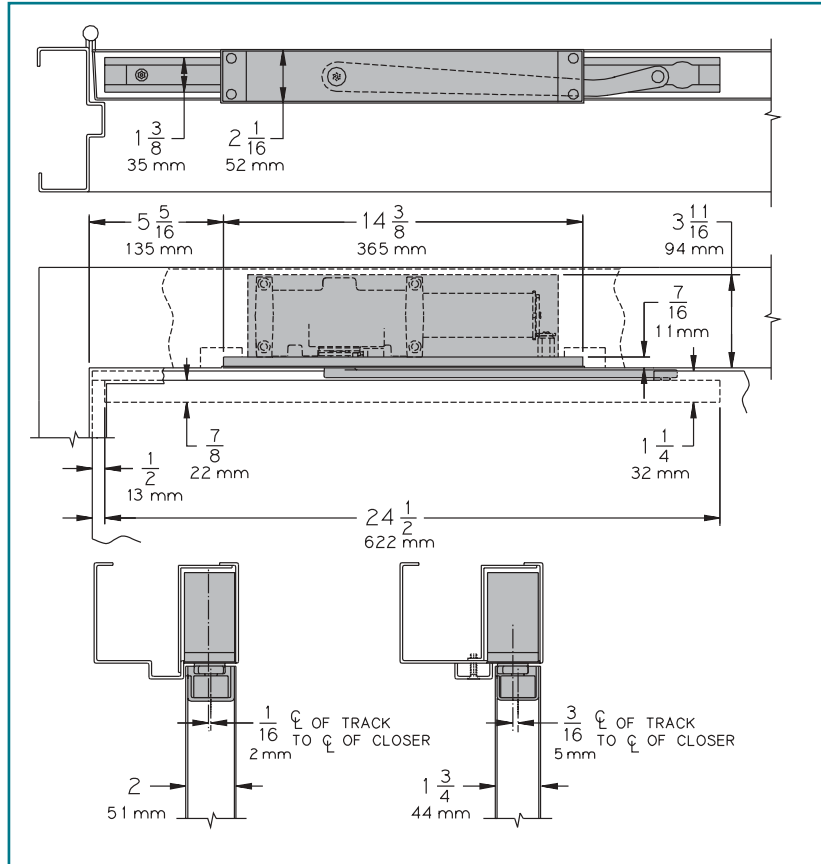
For interior or exterior doors.
Single acting cylinder in head frame.
Concealed arm and track in top rail
of door.

MAXIMUM OPENING

Templating allows 180°.

Consult factory if door will be held
open at 180°.

Pivot mounting door limits
opening to 110° and increases
minimum door width to 32"
(813 mm). Consult factory.



- ▶ **Butt Hinges** should not exceed 4 1/2" (114 mm) in width.
- ▶ **Auxiliary Stop** is recommended where a door cannot swing 180°.
- ▶ **Top Rail** 1 1/4" (32 mm) mortise required. 3/8" (10 mm) cutout required at top of door, stop face only.
- ▶ **Door Thickness** 1 3/4" (44 mm) minimum.
- ▶ **Door Width** 28" (711 mm) minimum.
- ▶ **Head Frame** 5 3/4" (146 mm) wide and 4" (102 mm) high with 2 3/16" (56 mm) rabbet required. Consult factory if any dimension is less.
- ▶ **Steel Mounting Plate** thickness 3/8" (10 mm).
- ▶ **Door Position Switch** Optional, newly redesigned, field adjustable switch can interface with security and monitoring systems. Add suffix "DPS" to selected cylinder. Finish plates must be removed for access to adjustments. Provides normally open (N.O.) and normally closed (N.C.) circuit. A three wire connector harness with 84" (2134 mm), 16 AWG leads is furnished to simplify connection to field wiring. Single pole double throw (SPDT) contacts rated at 125/250 VAC at 10.1 amps maximum resistive load are standard.
- ▶ **Advanced Variable Backcheck** cylinder starts backcheck at approximately 45° instead of the normal 75°. Add suffix "AVB" to selected cylinder (eg. 2213 DPS AVB).

Options

- ▶ Advanced Variable Backcheck Cylinder.
- ▶ Door Position Switch.
- ▶ Test kit

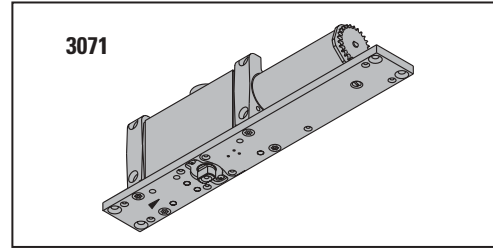
Special Templates

Customized installation templates or products may be available to solve unusual applications. Contact LCN for assistance.

CYLINDERS

CYLINDER, 2210-3071

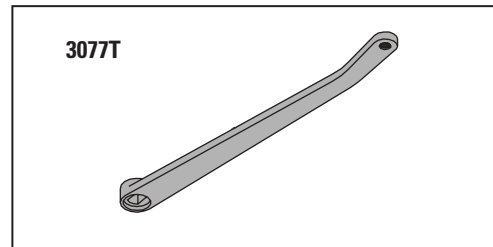
Standard, handed cast iron cylinder assembly.
For various applications see "Table of Sizes" on 2210 Series page 6.



ARM

STANDARD SECURITY ARM, 2210-3077T

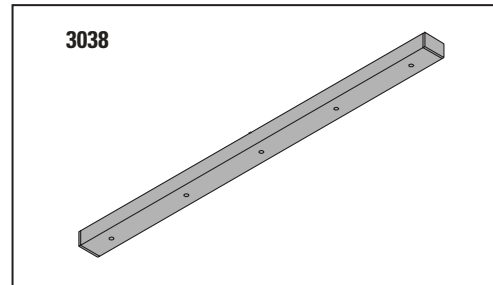
Handed arm features solid forged steel and large cross section for potentially abusive installations.
Special threaded attachment of track roller for extra security.
Double slab arm/pinion attachment for maximum strength.
Can only be used with high security track roller, 2210-3034.
Roller is included with arm when 2210-3077T ordered separately.



TRACK

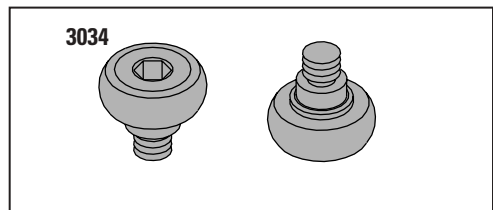
SECURITY TRACK, 2210-3038

Non-handed, high security track.
Hold-open function not available.
Designed to eject foreign objects placed in track during either opening or closing motion.
Requires track roller, 2210-3034.



SECURITY TRACK ROLLER, 2210-3034

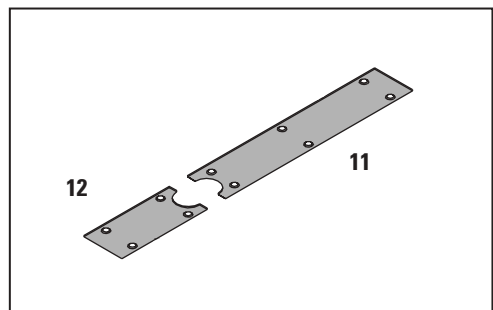
Low friction track roller threads into 2210-3077T arm for extra strength and security.
Can not be removed without disconnecting arm from closer.



FINISH PLATES

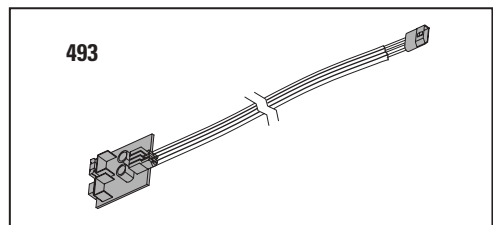
LONG PLATE, 2210-11

Heavy gauge metal finish plate.
Plate 2210-12 also required for complete enclosure.
Six point TORX mounting for extra security.
Closer adjustments not accessible with finish plates installed.



SHORT PLATE, 2210-12

Heavy gauge metal finish plate.
Plate 2210-11 also required for complete enclosure.
Four point TORX mounting for extra security.
Closer adjustments not accessible with finish plates installed.



TEST KIT, 2210-493

Battery operated test kit designed to verify switch signal response point. Test kit can be used directly at door location.

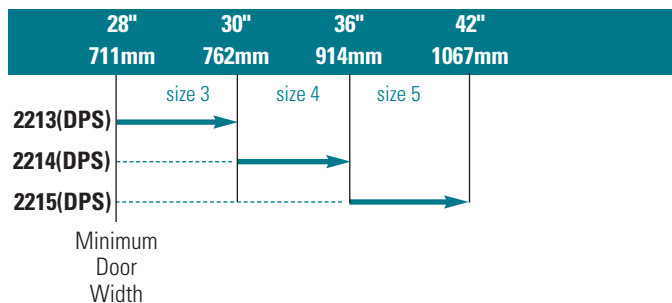
LCN 2210 SERIES

TABLE OF SIZES Select closer based on width of door.
 2210 Series cylinders available in size 1, 3, 4, or 5.
 Spring power is set at the factory for size 3, 4, or 5, but is field adjustable.
 Closing power of all 2210 Series closers may be increased 50%.

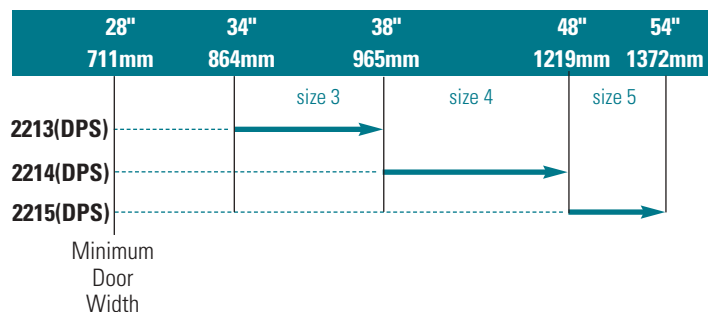
→ Indicates recommended range of door width for closer size.

Note: Minimum door width 28" (711mm).

EXTERIOR (and VESTIBULE) DOOR




INTERIOR DOOR WIDTH



REDUCED OPENING FORCE 2210 CLOSERS

CAUTION ! Any manual door closer, including those certified by BHMA to conform to ANSI Standard A156.4, that is selected, installed and adjusted based on ADA or other reduced opening force requirements may not provide sufficient power to reliably close and latch a door.

Refer to POWER OPERATORS section for information on systems that meet reduced opening force requirements without effecting closing power.

	DOOR WIDTH	36"	42"	48"
	8.5* lbs.	2213	2213	2213
	5.0* lbs.	2211	2211	2211

* Maximum opening force

HOW-TO-ORDER 2210 SERIES CLOSERS

1. SELECT CYLINDER SIZE

- 2211 (ADA) 2211 DPS (ADA)
- 2213 2213 DPS
- 2214 2214 DPS
- 2215 2215 DPS

2. SPECIFY HAND

- RH
- LH

3. SELECT FINISH

- Standard Powder Coat _____
 Aluminum, Dark Bronze, Tan, Statuary,
 Light Bronze, Black, Brass.

Closer will be shipped with:

- TWO PIECE FINISH PLATE,
 - STANDARD SECURITY ARM,
 - SECURITY TRACK ROLLER,
 - SECURITY TRACK,
 - TORX MACHINE SCREW PACK,
- unless options listed below are selected.

CLOSER OPTIONS

CYLINDER

- Advanced Variable Backcheck (AVB)

FINISH

- Custom Powder Coat (RAL) _____
- Plated Finish, US _____
- SRI primer

SPECIAL TEMPLATE

- ST- _____

NOTE: Installation of this closer requires T-27, T-25 and T-15 driver bits for TORX machine screws with a security pin. Sold separately

