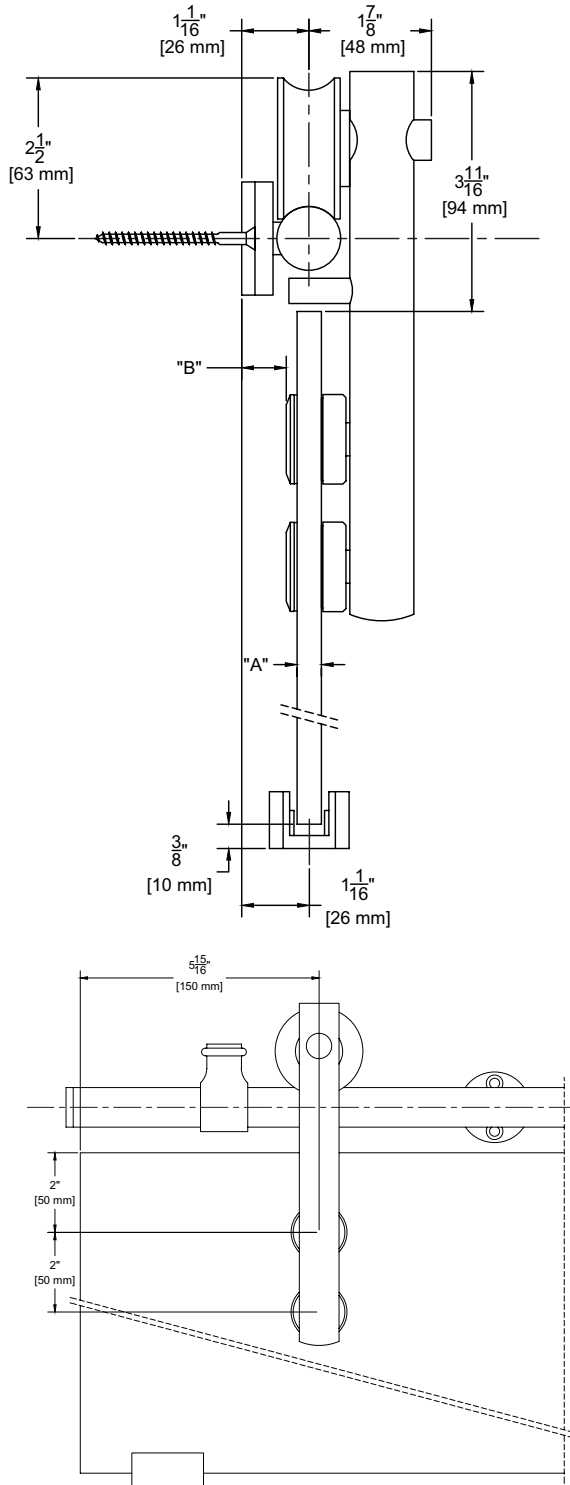


PEMKO

Stainless Steel Sliding Track Hardware System

G80 Series for Glass Doors

For Sliding Panels up to 198 lbs.



Configurations:

- Single
- Bi-parting

Installations:

- Side Wall Mount (only)

Features:

- Made of 304 stainless steel
- Nylon coated stainless steel wheel for smooth operation
- 198 lb. panel capacity
- 5 year warranty

Finishes:

- Brushed Stainless Steel (G80)
- Dark Bronze Stainless Steel (G80D)
- Polished Stainless Steel (G80P)

Kits Include:

- 1 ea **BAR** Stainless Steel Track
- **BRACKET2** Stainless Steel Wall Brackets
- 2 ea **22** Stainless Steel Hangers
- 1 ea **GLASSGUIDE** Stainless Steel Guide
- 2 ea **STOP2** Stainless Steel Stops Mounting Hardware

Note: If ordering individual parts in the optional Dark Bronze or Polished finishes, be sure to include a prefix "D" for Dark Bronze or "P" for Polished Stainless

Standard Kit Sizes

Part Number	Material	Track Length	Door Width
G80/6	304 Stainless Steel	78 ³ / ₄ "	36"
G80/8	304 Stainless Steel	98 ⁷ / ₁₆ "	48"
G80D/6	304 Dark Bronze Stainless Steel	78 ³ / ₄ "	36"
G80D/8	304 Dark Bronze Stainless Steel	98 ⁷ / ₁₆ "	48"
G80P/6	304 Polished Stainless Steel	78 ³ / ₄ "	36"
G80P/8	304 Polished Stainless Steel	98 ⁷ / ₁₆ "	48"

Glass Thickness "A"	Distance from Wall "B"
3/8"	11/16"
1/2"	9/16"

ASSA ABLOY

The global leader in
door opening solutions

SF-32