

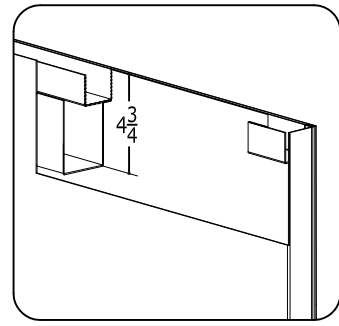
**TECHNICAL SPECIFICATION:**

**Material:**

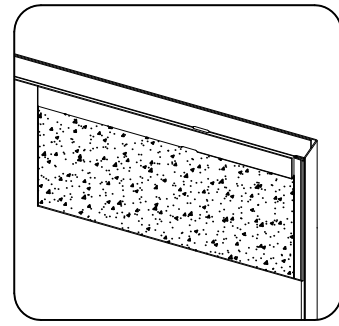
- A60 Galvanneal 18 Gauge (Standard)
- A60 Galvanneal 16 Gauge (Optional)

Core:	STC Rating	R-Value
POLYSTYRENE(STD.)	34	6.60
TEMPERATURE RISE	35	3.25
POLYURETHANE	34	11.1

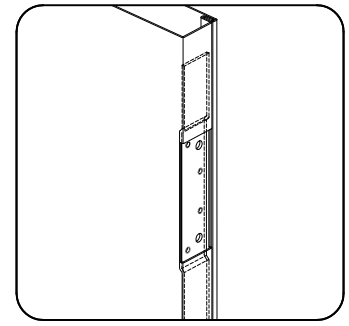
Door Heights: 6'8, 7'0  
 Minimum Width: 2'6 (Std)  
 Maximum Width: 3'6 (Std)



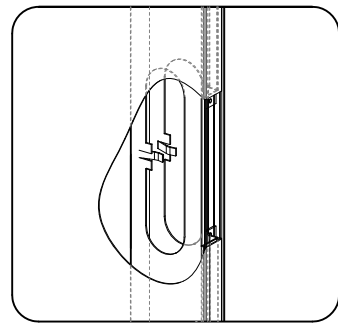
**A. CLOSER REINFORCEMENT / TOP CHANNEL**  
 14 ga. closer reinforcement,  
 fitted to 16 ga. inverted top channel



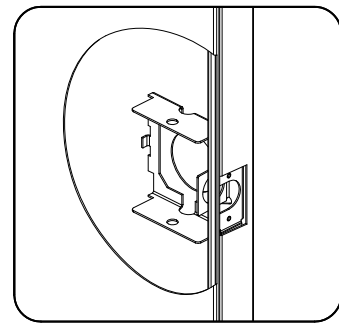
**B. RIGID POLYSTYRENE CORE**



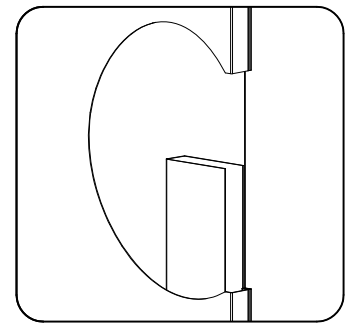
**C. HINGE REINFORCEMENT**  
 7 ga. hinge reinforcement (universal) for standard  
 or heavy weight 4.5" high template butt hinges



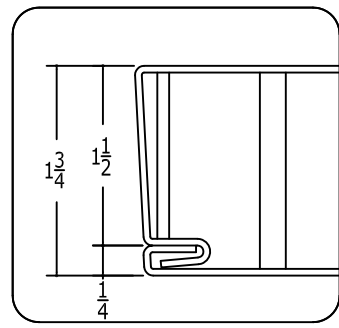
**D. ANSI A115.1 #86**  
**MORTISE LOCK REINFORCEMENT**  
 14 ga. reinforcement with lock guide  
 D & T for #12-24 screw



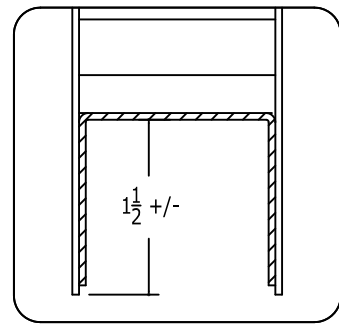
**\*D. ANSI A115.2 #161**  
**LOCK REINFORCEMENT (SHOWN)**  
 14 ga. reinforcement, 2-3/4" backset  
 D & T for #8-32 screw



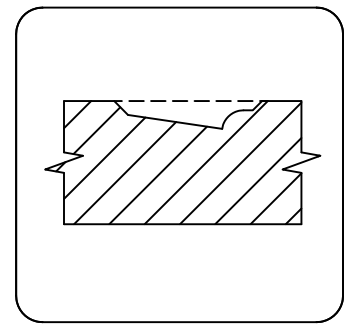
**D. RIM PANIC REINFORCEMENT**  
 14 ga. reinforcement  
 (includes reinforcement for surface  
 vertical rod or surface bolts)



**E. BEVELLED EDGE**  
**LOCK SEAM DESIGN**  
 1/8" in 2"



**F. BOTTOM CHANNEL**  
 16 gauge inverted bottom channel



**G. TYPICAL PROFILE**  
**THROUGH EMBOSSEMENT**

Drawing No. D4      Date: 10/04/2012      DECORATOR SERIES 6 PANEL DOOR (STANDARD)      Drawn by: LX

PROJECT:

**DAYBAR**

SHEET:      ○ OF ○