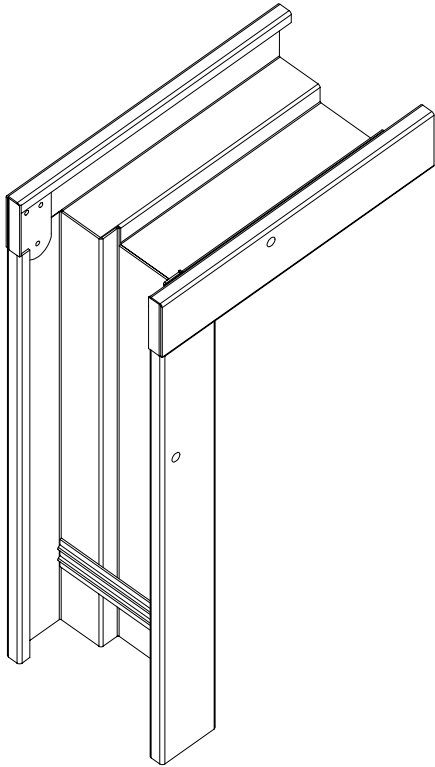
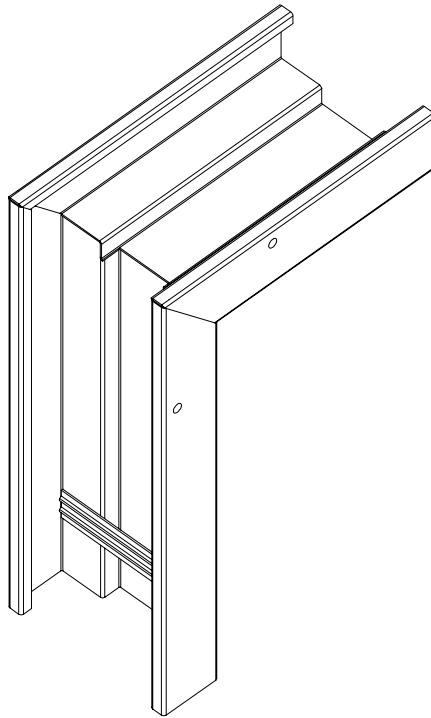


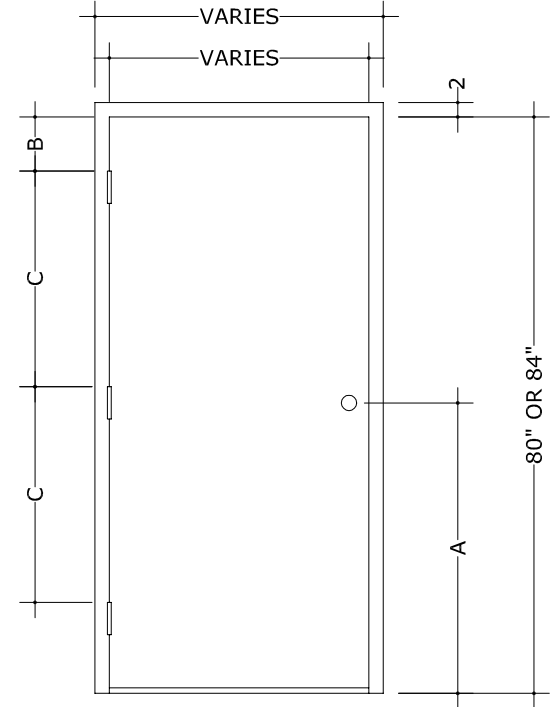
EF REVERSIBLE SERIES



EF K SERIES



A = ASA C/L FRONT
 B = TOP TO TOP
 C = HINGE SPACING



HARDWARE LOCATIONS

HEIGHT	A	B	C	TYPE
6'8"	40 5/16 (1024)	7 1/2 (191)	29 15/16 (760)	EF K SERIES
7'0"	40 5/16 (1024)	7 1/2 (191)	31 15/16 (811)	EF K SERIES
6'8"	40 5/16 (1024)	7 1/2 (191)	29 15/16 (760)	EF REV
7'0"	40 5/16 (1024)	7 1/2 (191)	31 15/16 (811)	EF REV HJ ONLY

SIZES AVAILABLE

HJ	6'8"	7'0"		
SJ	6'8"	7'0"		
BJ		7'0"		
HD	2'6" 4'0"	2'8" 5'0"	2'10" 6'0"	3'0"

THROAT SIZES:
 A). 4-1/2" TO 7-7/8"
 B). 5-3/8" TO 8-11/16"

MATERIAL SPECIFICATIONS
 18 GAGE A40 GALVANNEAL
 10 GAGE 4.5" HINGE REINFORCEMENTS
 14 GAGE ASA STRIKE REINFORCEMENTS

DO NOT SCALE THIS PRINT

Drawing No.

Date: 09/22/2003

18 GAGE EXPANDABLE FRAME

Drawn by: LX

PROJECT:

DAYBAR

SHEET:

○ OF ○