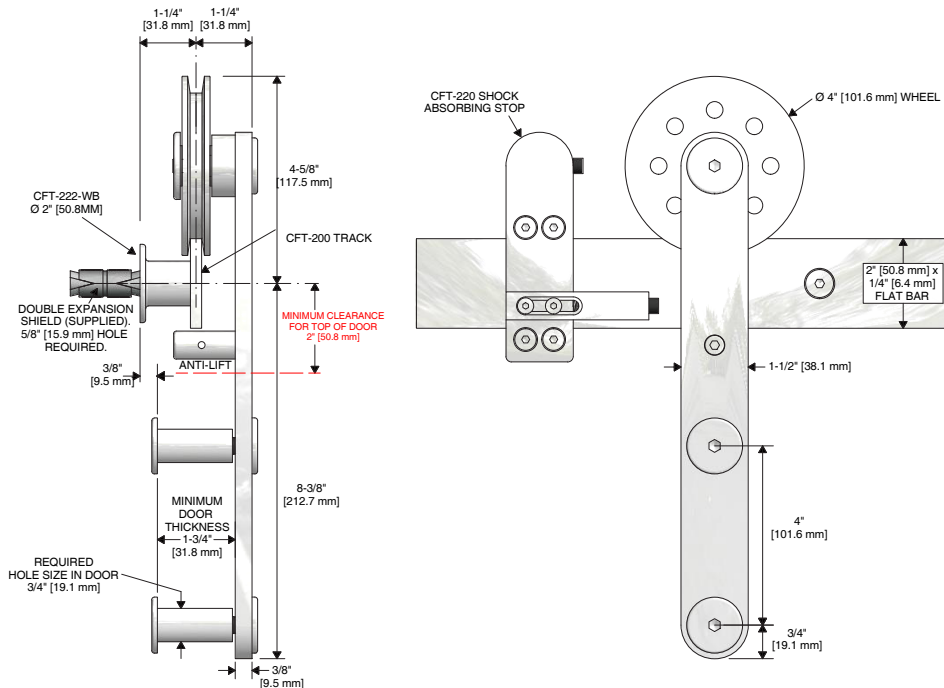


CFT-202-SS



KEY FEATURES:

- Strap mount hanger (**CFT-202**)
- Shock absorbing stops (Spring loaded)
- Exposed Hardware
- Wheel combined with Precision Ground Ball Bearings (150,000 cycle tested)
- Precision machined and polished Solid 304 Satin Stainless Steel 1/4" x 2" flat bar track (weighing 1.720 lbs per foot) and hardware components.
- Load Capacity **350lbs. (two hangers)**
- Load Capacity **450lbs. (three hangers)**
- Load Capacity **600lbs. (four hangers)**



Part Number:	Part Description:		
Customer Name:	Job Number/Name:	Date:	Provided By:
Notes:			