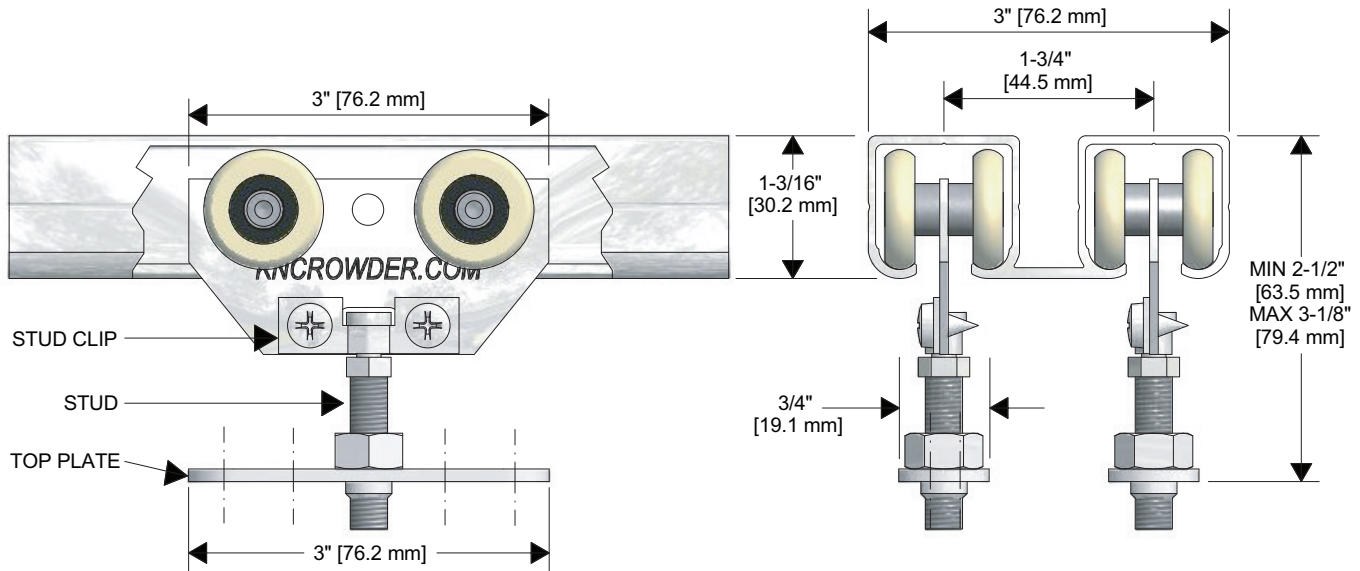


## C-538



### KEY FEATURES:

- Top mount hanger (**C-538**)
- For 1-3/8" [34.9mm] thick By-passing doors
- Vertical adjustment by threaded door top plate and locknut
- Four Precision Ground Ball Bearing, Nylon Tire Wheels.
- Ideal for mirror covered and solid core doors.
- Use with Extruded Aluminum **C-538** Track, 6063T5 Alloy
- Load Capacity **125lbs. (two hangers)**



<b>Part Number:</b>	<b>Part Description:</b>		
<b>Customer Name:</b>	<b>Job Number/Name:</b>	<b>Date:</b>	<b>Provided By:</b>
<b>Notes:</b>			