

dyson airblade tap

PRE-INSTALLATION INFORMATION

AB
09 AB
10 AB
11



Sink specification guidelines

The Dyson Airblade Tap hand dryer is compatible with most sink types.

Do not use plugs within the plug holes in sinks.

Due to high velocity air and water being in close proximity, there is a chance of some water dispersion outside the sink dimensions.

Sinks with highly polished surfaces should be avoided e.g. reflective chrome.

Porcelain or brushed metal are ideal.

Tap mounting

The tap stem (measured from the outside diameter) should be mounted 15-40mm from the outside edge of the sink.

When multiple taps are installed side-by-side, tap centres should be a minimum of 580mm apart and a minimum of 290mm from tap centre to a side wall. This allows sufficient space for mounting the motor bucket horizontally as well as enough space for users at the sink (shoulder to shoulder).

Do not place the downward facing water sensor of the tap over a reflective surface, such as the drainage hole. (Fig4)

Fig.1

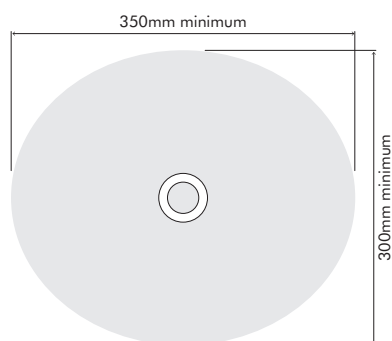


Fig.2

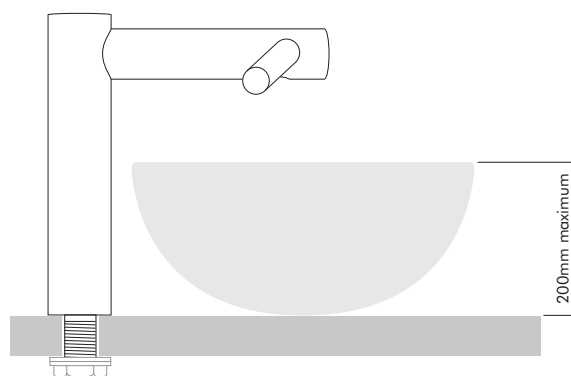


Fig.3

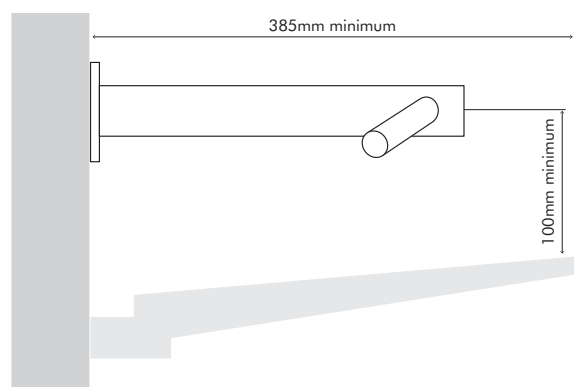
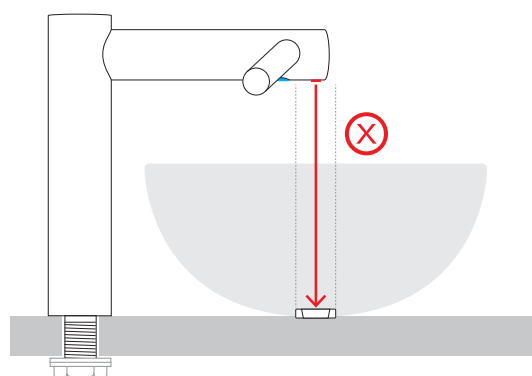


Fig.4



Sink dimensions (All internal measurements unless otherwise stated)

Fig.1 Width of sink minimum: 350mm, Front to back of sink minimum: 300mm

Fig.2 Maximum depth of sink for Long Neck Tap (AB10) only: 200mm (External measurement of vessel/pedestal sink).

Fig.3 Minimum distance from tap centre to top of sink (AB11 only) 100mm. Front edge of sink (all types – pedestal, recessed, slab) to wall minimum 385mm.

Internal depth of sink minimum (for all taps): 100mm

For further information please contact Dyson.
0800 345 7788 (UK) 01-401-8300 (IE)
www.dysonairblade.com

dyson airblade tap

AB AB AB
09 10 11

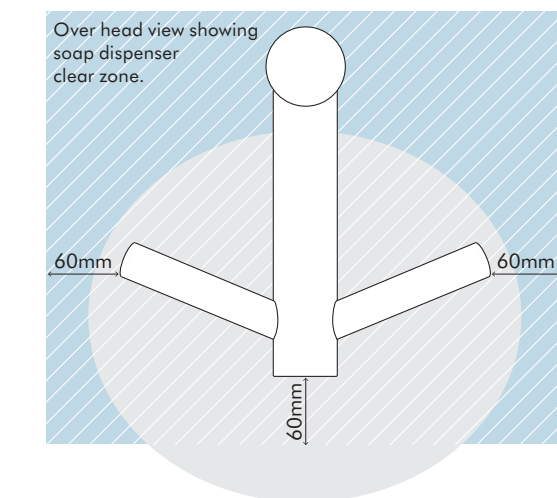
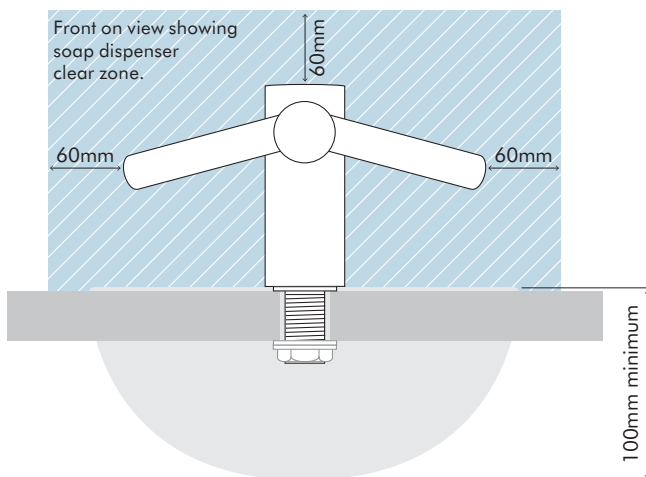
Locating the soap dispenser

The infrared sensing zone for air activation extends along each tap branch. Therefore, it is the user's hand route to the soap dispenser that is most important to prevent nuisance activation.

The soap dispenser should be located at least 60mm outside the width of the tap. This is so the user can reach around the side of the branch.

The soap dispenser should be located at least 60mm above the branches so that the sensors are not activated.

It is also important to note that the user may reach diagonally across for the soap and this path must not go through the sensing zone.



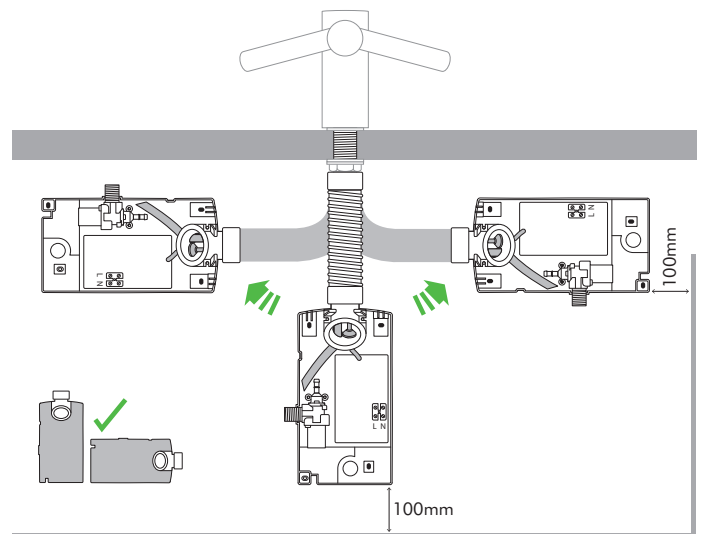
Mounting the motor bucket (AB09/AB10)

The motor bucket cannot be mounted upside down.

The motor bucket cannot be installed above the sink.

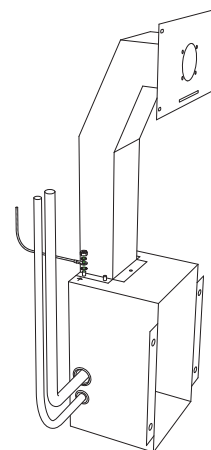
100mm minimum clearance from bottom of motor bucket to floor/wall.

Only the following is advised.



Mounting the motor bucket (AB11) Metal enclosure assembly

This Dyson product is designed so the motor unit is located behind the stud wall. The vertical wall studs must be constructed so as to allow the metal enclosure to be fitted between them. One of the horizontal wall studs must be fitted a) so it holds the main weight of the metal duct and the unit, and b) so it is in the correct position for the tap stem.



dyson airblade tap



Abusive testing

The tap has undergone rigorous abusive testing to ensure that it can withstand substantial forces and impacts typical of a commercial and public bathroom environment.

Tools required

To install this unit you will need (4) screws, and appropriate fittings

Torx T15 screw driver – long handle

Electrical drill with 35mm drill bit

Qty 4 Raw plugs (suitable for wall type fixing to)

7mm flat head screwdriver

Flat terminal block screwdriver

Tap spanner

Spanner 38mm

Sharp knife/blade

Pan head screws. Size 5mm dia toggle or masonry type

Conduit as per local electrical regulations

Electrical

Input voltage/Frequency: 220-253V 50 Hz

Isolated by switch fuse spur or RCD as appropriate

Current 6.6 Amps

Cable spec 3 core PVC 1.5mm cross sectional area

Local electrical regulations must be adhered to when installing or repairing the product

Rated power: 1600 W

Operating temperature range: 0° – 40°C

Standby power consumption: Less than 0.5 W

Water operation

Water flow rate: 4 l/min

Water temperature control: Thermostatic mixer recommended (not supplied)

Water pressure required: 1-8 Bar

1 1/2" BSP isolated valve required for service

Water supply cleanliness and biological growth

In some countries there are regulations or guidelines that require temperature controlled water supply systems (such as that supplied to the Dyson Airblade Tap hand dryer) to be subjected to regular cleaning to minimise any biological growth.

To enable you to meet these regulations, the Dyson Airblade Tap hand dryer has been designed and tested to withstand internal cleaning both with hot water up to 95°C and with sodium hypochlorite at a concentration of 0.45%.

Dyson is unable to advise regarding the details of the cleaning you should carry out because this will be specific both to the applicable regulations and to your water supply system.

When carrying out internal cleaning of the Dyson Airblade Tap hand dryer, please be aware of any safety considerations when using hot water or chemicals. Dyson will not be responsible for any injury caused by this process.