

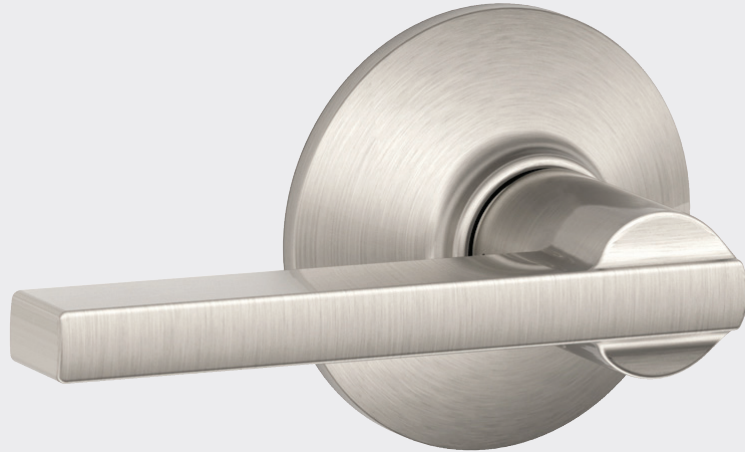


Knobs and levers

F-Series, Grade 2

When it comes to security and safety, no other name is trusted like Schlage. For nearly 90 years, Schlage has been dedicated to providing the highest level of security to homes and businesses. We've taken our experience in commercial door hardware and applied it to developing some of the toughest, most advanced door hardware for residential applications.

From innovative, electronic communicating locks to elegant high-security handlesets, levers, knobs and decorative hardware, our residential products deliver reliable security in a wide variety of styles and finishes to complement any space.



Satin Nickel Latitude Lever



Satin Nickel Georgian Knob



Satin Nickel Merano Lever

Style Options



Andover



Bell*



Bowery



Georgian



Accent



Avanti



Birmingham



Champagne



Elan*



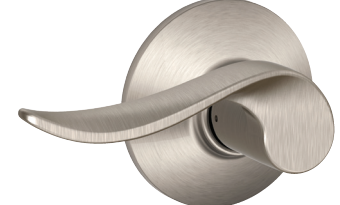
Flair



Manhattan



Merano



Sacramento

* Bell knob and Elan lever shown in satin chrome

Specifications

- **Applications:** Residential single-and multi-family use
- **Certifications:** ANSI A156.2, 1996, Series 4000 Grade 2. UL Listed locks for 3-hour fire doors are furnished with #10-001 T strike, 1-1/8" x 2-3/4" (29mm x 70 mm), 1-1/8" (29mm) lip (also available with standard product). Assembled to order when specified with "F" suffix
Example: F51F
- **Exposed Trim:** Levers are plated to match finishes indicated
- **Keying:** 5-pin tumbler C keyway with two keys. All F51 functions offer interior emergency exit feature
- **Door Range:** 1-3/8" to 1-3/4" (35mm to 44mm) standard
- **Backset:** Fits either 2-3/8" (60mm) or 2-3/4" (70mm) backset

Features

- Limited lifetime mechanical and finish warranty
- Field-reversible levers on privacy, passage and keyed functions
- Key-removable outside knobs or levers for easy cylinder replacement
- Meets 400,000 cycle ANSI Grade 2 requirements



Plymouth



Orbit



Sienna



Broadway



Callington



Jazz



Latitude



St. Annes

Latches and Strikes

- **Latches:** 1" x 2-1/4" (25mm x 57mm), 1/2" (13mm) throw standard. Dual option faceplates, including 1-1/8" (29mm) round corner and circular drive-in, are standard for passage and privacy functions. Square corner faceplates available
- **Strikes:** Full lip, 1/4" (6mm) radius corner, 1-5/8" x 2-1/4" (41mm x 57mm), 1-1/8" (29mm) lip, #10-027, standard. Optional strikes: full lip; square corner; circular drive-in, ANSI 1-1/4" x 4-7/8" (32mm x 124mm), 1-3/16" (30mm) lip. UL Listed locks are furnished with #10-001 T strike, 1-1/8" x 2-3/4" (29mm x 70mm), 1-1/8" (29mm) lip (also available with standard product)

Decorative Collections

Featuring eight inspired designs, ranging from traditional to contemporary, the decorative collections coordinate with your Schlage handlesets.



Addison



Century



Andover*



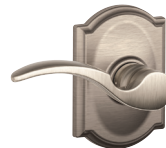
Wakefield



Brookshire



Greenwich



Camelot

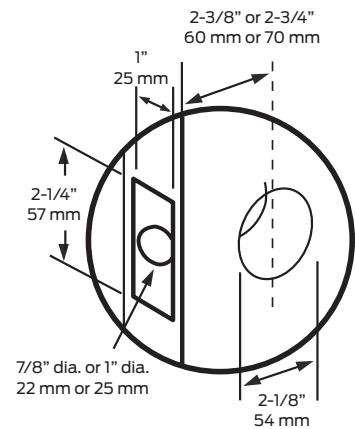


Greyson

* Andover features concealed screws and does not include a matching handleset or deadbolt

Additional Knob and Lever combinations are available

Door Preparation



Available Functions

F10 - F75	Passage Lock
F40 - F76	Bath/Bedroom Privacy Lock
F170	Single Dummy Trim
F51 - F81	Entrance Lock
F54 - F82	Entrance Lock
F80 - F86	Storeroom Lock

Finish & Style Options



Knobs

	505 Lifetime Bright Brass	605 Bright Brass	609 Antique Brass	613 Oil Rubbed Bronze	619 Satin Nickel	620 Antique Pewter	621 Distressed Nickel	622 Matte Black	625 Bright Chrome	626 Satin Chrome	716 Aged Bronze
Andover	■	■	■	■	■	■			■	■	■
Bell	■	■	■								■
Bowery					■			■	■	■	■
Georgian	■	■	■		■	■	■	■	■		■
Orbit	■	■	■	■	■	■			■	■	
Plymouth	■	■	■	■	■	■		■	■	■	■
Sienna	■	■	■	■	■	■		■	■	■	■

Levers

Accent	■	■	■	■	■	■	■	■	■	■	■
Avanti	■	■	■	■	■	■			■		■
Avila	■	■	■		■				■	■	■
Birmingham					■				■		■
Broadway					■				■	■	■
Callington	■	■	■	■	■	■		■	■	■	■
Champagne	■	■	■	■	■	■			■	■	■
Flair	■	■	■	■	■	■			■	■	■
Elan	■	■	■						■	■	
Jazz		■	■		■						■
Latitude					■			■	■	■	■
Manhattan	■	■			■				■	■	
Merano					■			■	■	■	■
Sacramento					■				■	■	■
St. Annes	■	■	■	■	■	■			■	■	■

Decorative Collection

Addison	■	■	■		■	■	■	■	■		■
Andover	■	■	■	■	■	■			■	■	■
Brookshire	■	■	■		■			■			■
Camelot	■	■	■	■	■	■		■	■	■	
Century	■	■	■		■				■	■	■
Wakefield	■	■	■	■	■	■		■	■	■	■

Visit Schlage.com to learn more.

About Allegion™

Allegion (NYSE: ALLE) creates peace of mind by pioneering safety and security. As a \$2 billion provider of security solutions for homes and businesses, Allegion employs more than 8,000 people and sells products in more than 120 countries across the world. Allegion comprises more than 25 global brands, including strategic brands CISA®, Interflex®, LCN®, Schlage® and Von Duprin®. For more, visit www.allegion.com

aptiQ ■ LCN ■ **SCHLAGE** ■ STEELCRAFT ■ VON DUPRIN



© 2015 Allegion
MF-0025
Rev. 4-15
allegion.com