



KNC

K.N.CROWDER MFG. INC

Dimensionally permanent, quiet, dependable sliding and folding door hardware for all applications



TOUGH TRACKS



CROWDERTRACK Quality Sliding Door Hardware

www.kncrowder.com





What makes **CROWDERTRACK** better?



K.N.Crowder is committed to providing the Sliding Door Industry with quality engineered, durable, time-tested door hardware.

Crowdertrack was formed in the late 1940s. Since that time we have had the pleasure of supplying quality sliding door hardware to the Construction Industry.

Help and cooperation from Architectural Hardware Consultants, Lumber Dealers, Wholesale and Retail Hardware houses has been paramount to our continued growth and success.

We wish to acknowledge this support and express sincere thanks to all our many friends and valued customers for this continuing support.



“This catalogue represents a proud body of engineering work serving the Sliding and Folding Door hardware industry.

Our engineering experts are always more than happy to discuss your specific hardware needs.

Commitment to our customers’ continued satisfaction is our primary goal.”

PETER CROWDER
President,
K.N.CROWDER MFG. INC.



new

How to Specify CROWDERTRACK

To assist us in understanding your specific needs and processing your order flawlessly, there are **three items we need to know**, in addition to the dimensions, about your installation:

1 Determine your door type requirements.
Examples are: Single Track pocket, front, top or rear mounted, Dual Track By-passing, 2 Single tracks employed as Dual By-passing, Bi-folding/Pivot. Thumbnail views of suitable uses are shown in this catalogue for quick reference.

2 Estimate or determine the door weight you will need to accommodate. A reference table below is shown to assist with this calculation. A thumbnail view of recommended capacities are shown in this catalogue for quick reference.

3 Determine your opening size. Charts of standard sizes and configurations, as well as hardware required are shown on each product page of this catalogue, where applicable. Consider allowances and clearances for recessed pockets where applicable.

If you require alternate configurations or have special track requirements, we would be more than happy to discuss your needs.

Average Door Weight (lbs) for 7ft [2134mm] 1-3/8" [34.9mm] thick

Door Width	Hollow Wood Core	Solid Pine	Hollow Core Steel	Solid Oak
12"	14	21	28	35
18"	21	32	42	53
24"	28	42	56	70
30"	25	53	70	88
36"	42	63	84	105

For 8ft [2438mm] doors, 1-3/8" [34.9mm] thick, multiply by 1.14 for approx. weight

For 7ft [2134mm] doors, 1-3/4" [44.5mm] thick, multiply by 1.25 for approx. weight

For 8ft [2438mm] doors, 1-3/4" [44.5mm] thick, multiply by 1.50 for approx. weight

NOTE: SPECIFICATIONS ARE SUBJECT TO CHANGE WITHOUT NOTICE

PRECISION GROUND Bearings

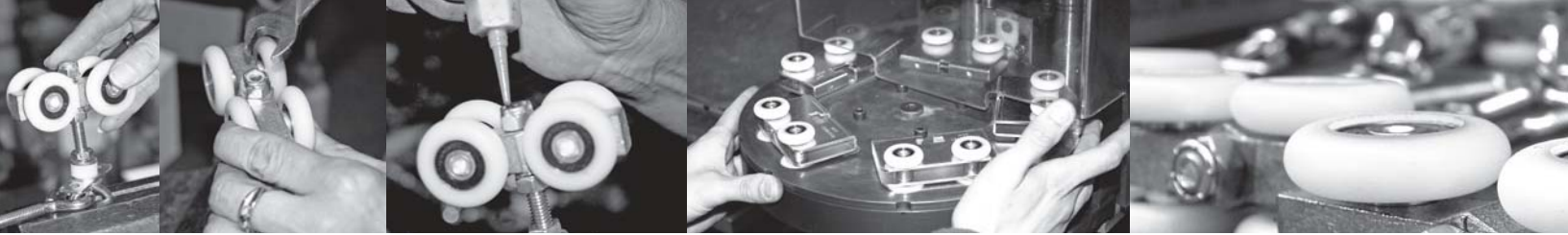
WE HAVE REDESIGNED our nylon ball bearing wheels & hangers. The new and improved hangers will now be supplied with our new precision ground bearings.

These new precision ground bearings will easily handle the same load capacity (weight) but are virtually silent and incredibly smooth.

We have cycle tested* our new hangers to the equivalent of over 30 years of normal use (over 150,000 cycles) without experiencing any measurable wear or increase in noise.

* One cycle = one opening and one closing of the door





“Ken Newton Crowder, my father, started the business with the idea that he wouldn’t put his name on the product unless he was 100% sure that his customer would be satisfied.” — PETER CROWDER, PRESIDENT, K.N.CROWDER MFG. INC.

	TRACK	SERIES/HANGER TYPE	OPERATION	APPLICATION	DOOR TYPE	MAX. LOAD/DOOR	FEATURES	PAGE	
Architecture & Design Collection	• • •	Curved Track	NEW!	Sliding	Residential, Office, Institutional, Hotel, Galleries	Light, Medium, Heavy-Duty	Varies	Curved Track	7
		CRT-100 CRT-101 Top Mount Hanger	NEW!	Sliding	Residential, Office, Institutional, Hotel, Industrial, Commercial	Heavy-Duty	350 LBS (2 Hangers)	Stainless Steel Round Bar Exposed Track & Hardware. Barn Door Style	8
		CRT-100 CRT-102 Strap Mount Hanger	NEW!	Sliding	Residential, Office, Institutional, Hotel, Industrial, Commercial	Heavy-Duty	350 LBS (2 Hangers)	Stainless Steel Round Bar Exposed Track & Hardware. Barn Door Style	9
		CRT-100 CRT-103 Face Mount Glass Hanger	NEW!	Sliding Glass Door	Residential, Office, Institutional, Hotel, Commercial	Heavy-Duty	350 LBS (2 Hangers)	Stainless Steel Round Bar Exposed Track & Hardware. Barn Door Style	10
		C-104, C-108 CGH-038, CGH-012 Glass Door Hangers	NEW!	Sliding Glass Door	Residential, Office, Institutional, Hotel, Industrial, Commercial	Heavy-Duty	300 LBS (2 Hangers)	Clamp Hanger System	11
		CFT-200 CFT-201 Top Mount Hanger	NEW!	Sliding	Residential, Office, Institutional, Hotel, Industrial, Commercial	Heavy-Duty	300 LBS (2 Hangers)	Stainless Steel or Black Finish Flat Bar Exposed Track & Hardware Barn Door Style	12
		CFT-200 CFT-202 Strap Mount Hanger	NEW!	Sliding	Residential, Office, Institutional, Hotel, Industrial, Commercial	Heavy-Duty	300 LBS (2 Hangers)	Stainless Steel or Black Finish Flat Bar Exposed Track & Hardware Barn Door Style	13
Custom Systems		CST-700 CST-710 Hanger		Stacking Track	Room Dividers, Multiple Pocket Doors	Light, Medium Duty	100 LBS (1 Hanger), 200 LBS (2 Hangers)	Stacking Door Systems, for large openings with multiple doors.	14
	• • •	• • •	IMPROVED	Sliding	Room Dividers, Multiple Pocket Doors	Medium, Heavy-Duty	Varies	Operating Multiple Doors at Once	15
	• • •	Varies	NEW!	Sliding	Industrial, Institutional	Light, Medium, Heavy-Duty	Varies	Complete Stainless Steel Hanger	16
		C-108S High Security Door System	NEW!	Sliding	Industrial, Institutional	Medium, Heavy-Duty	300 LBS (2 Hangers)	High Security Door System, Tamperproof Application	17
		C-108 How To Hang Heavy-Duty Doors	IMPROVED	Sliding	Residential, Office, Industrial, Institutional, Hotel, Commercial	Medium, Heavy-Duty	Varies	How to Hang Heavy-Duty Doors, Complete Side-Mount Sliding Door System	18
		C-108 Cantilever A Door	NEW!	Sliding	Residential, Office, Institutional, Hotel, Industrial, Commercial	Medium, Heavy-Duty	Varies	Cantilever A door with Side Mount Application	19
		• • • Sound Sealing Pocket Doors	NEW!	Sliding	Residential, Office, Institutional, Hotel, Industrial, Commercial	Medium, Heavy-Duty	Varies	Sound Sealing Pocket Doors with Weatherstripping	20
		• • • Sound Sealing Locking Pocket Doors	NEW!	Sliding	Residential, Office, Institutional, Hotel, Industrial, Commercial	Medium, Heavy-Duty	Varies	Sound Sealing Locking Pocket Doors with Weatherstripping & Automatic Door Bottoms	21
Pocket Door Kits		TYPE C Crowderframe Type C Pocket Door Kit	IMPROVED	Sliding Pocket Door	Residential, Office, Institutional, Hotel, Industrial, Commercial	Medium Duty	150 LBS (2 Hangers)	Complete Structural Pocket Framing Assembly	22–23
		TYPE B Crowderframe Type B Pocket Door Kit	IMPROVED	Sliding Pocket Door	Residential, Office, Institutional, Hotel, Industrial, Commercial	Medium Duty	125 LBS (2 Hangers)	Complete Structural Pocket Framing Assembly	22–23
		TYPE C, TYPE B Crowderframe “Double Door”	IMPROVED	Sliding Pocket Door	Residential, Office, Institutional, Hotel, Industrial, Commercial	Medium Duty	Varies	Complete Double Door Type C or B Crowderframe	24
		TYPE C, TYPE B Modification: Crowderframe “Extra Width”	NEW!	Sliding Pocket Door	Residential, Office, Institutional, Hotel, Industrial, Commercial	Medium Duty	Varies	Complete Extra Width Modification for Type C or B Crowderframe	24
		TYPE C, TYPE B Modification: Crowderframe “2 X 6 Shim Kit”	NEW!	Sliding Pocket Door	Residential, Office, Institutional, Hotel, Industrial, Commercial	Medium Duty	Varies	Complete 2 X 6 Shim Kit Modification for Type C or B Crowderframe	24

	TRACK	SERIES/HANGER TYPE	OPERATION	APPLICATION	DOOR TYPE	MAX. LOAD/DOOR	FEATURES	PAGE		
Single Track Systems		C-204	C-995 Top Mount Hanger		Sliding	Institutional, Commercial, Industrial	Heavy-Duty	450 LBS (2 Hangers)	Spinwheel Adjustment, Four Precision Ball Bearing Steel Wheels	25
		C-204	C-207-4 Clamp Hanger C-207-8 Clamp Hanger		Sliding	Institutional, Commercial, Industrial	Heavy-Duty	500 LBS (2 Hangers) 700 LBS (2 Hangers)	Clamp Type Face Mount Hanger, Four Precision Ball Bearing Steel Wheels	26
		C-204	C-206-4 Top Mount Hanger		Sliding	Institutional, Commercial, Industrial	Heavy-Duty	225 LBS (2 Hangers)	Top Mount Hanger, Four Precision Ball Bearing Steel Wheels	27
		C-204	C-205-4 Plate Hanger C-205-8 Plate Hanger		Sliding	Institutional, Commercial, Industrial	Heavy-Duty	300 LBS (2 Hangers) 600 LBS (2 Hangers)	Concealed Hanger (Kerf Required), Four Precision Ball Bearing Steel Wheels	28
		C-204	C-203-4 Top & Face Mount Hanger		Sliding	Institutional, Commercial, Industrial	Heavy-Duty	250 LBS (2 Hangers)	Top & Face Mount Hanger, Four Precision Ball Bearing Steel Wheels	29
		C-104	C-994 Top Mount Hanger		Sliding	Residential, Office, Institutional, Hotel, Industrial, Commercial	Medium, Heavy-Duty	350 LBS (2 Hangers)	Spinwheel Adjustment	30
		C-104	C-993 Easy Connect Hanger	NEW!	Sliding	Residential, Office, Institutional, Hotel, Industrial, Commercial	Medium, Heavy-Duty	250 LBS (2 Hangers)	Quick Disconnect Stud	31
		C-104	C-911 Quick Release Hanger		Sliding	Residential, Office, Institutional, Hotel, Industrial, Commercial, Hospital, Nursing Homes	Medium, Heavy-Duty	200 LBS (2 Hangers)	Quick Release Hanger	32
		C-104	C-810 Zero Clearance Hanger	NEW!	Sliding	Residential, Office, Institutional, Hotel, Industrial, Commercial	Medium, Heavy-Duty	300 LBS (2 Hangers)	Low Clearance Hanger	33
		C-104	C-107-4 Clamp Hanger C-107-8 Clamp Hanger		Sliding	Residential, Office, Institutional, Hotel, Industrial, Commercial	Medium, Heavy-Duty	350 LBS (2 Hangers) 500 LBS (2 Hangers)	Clamp Type Face Mount Hanger	34
		C-104	C-106-4 Top Mount Hanger		Sliding	Residential, Office, Institutional, Hotel, Industrial, Commercial	Medium, Heavy-Duty	175 LBS (2 Hangers)	Top Mount Hanger	35
		C-104	C-105-4 Plate Hanger C-105-8 Plate Hanger		Sliding	Residential, Office, Institutional, Hotel, Industrial, Commercial	Medium, Heavy-Duty	200 LBS (2 Hangers) 400 LBS (2 Hangers)	Concealed Hanger (For Minimal Clearance Requirements, Kerf Required)	36
		C-104	C-103-4 Top & Face Mount Hanger		Sliding	Residential, Office, Institutional, Hotel, Industrial, Commercial	Medium, Heavy-Duty	200 LBS (2 Hangers)	Top & Face Mount Hanger	37
		C-411	C-411 Quick Release Hanger		Sliding	Residential, Office, Institutional, Hotel, Hospitals, Nursing Homes	Light, Medium Duty	150 LBS (2 Hangers)	Quick Release Hanger	47
		C-400	C-400 Top Mount Hanger		Sliding	Residential, Office, Institutional, Hotel	Light, Medium Duty	125 LBS (2 Hangers)	Top Mount Hanger	48
	C-350	C-350 Top Mount Hanger		Sliding	Residential, Hotel	Light Duty	75 LBS (2 Hangers)	Adjustable Nylon Wheel Hanger	49	
	C-300	C-300 Concealed Hanger		Sliding	Residential, Hotel	Light Duty	75 LBS (2 Hangers)	Low Head Space, Nylon Wheels	50	
Barn Door Style		C-108	C-994 Top Mount Hanger		Sliding	Residential, Office, Institutional, Hotel, Industrial, Commercial	Medium, Heavy-Duty	350 LBS (2 Hangers)	Spinwheel Adjustment	38
		C-108	C-993 Easy Connect Hanger	NEW!	Sliding	Residential, Office, Institutional, Hotel, Industrial, Commercial	Medium, Heavy-Duty	250 LBS (2 Hangers)	Quick Disconnect Stud	39
		C-108	C-911 Quick Release Hanger		Sliding	Residential, Office, Institutional, Hotel, Industrial, Commercial, Hospital, Nursing Homes	Medium, Heavy-Duty	200 LBS (2 Hangers)	Quick Release Hanger	40
		C-108	C-810 Zero Clearance Hanger	NEW!	Sliding	Residential, Office, Institutional, Hotel, Industrial, Commercial	Medium, Heavy-Duty	300 LBS (2 Hangers)	Low Clearance Hanger	41
		C-108	C-107-4 Clamp Hanger C-107-8 Clamp Hanger		Sliding	Residential, Office, Institutional, Hotel, Industrial, Commercial	Medium, Heavy-Duty	350 LBS (2 Hangers) 500 LBS (2 Hangers)	Clamp Type Face Mount Hanger	42
		C-108	C-106-4 Top Mount Hanger		Sliding	Residential, Office, Institutional, Hotel, Industrial, Commercial	Medium, Heavy-Duty	175 LBS (2 Hangers)	Top Mount Hanger	43

NOTE: PLEASE NOTE THAT ALL TRACK AND HANGERS ARE SHOWN WITH CLEAR ANODIZED FINISH. STANDARD FINISH UNLESS OTHERWISE NOTED IS MILL FINISH ALUMINUM.

	TRACK	SERIES/HANGER TYPE	OPERATION	APPLICATION	DOOR TYPE	MAX. LOAD/DOOR	FEATURES	PAGE		
Barn Door Style		C-108	C-105-4 Plate Hanger C-105-8 Plate Hanger	Sliding	Residential, Office, Institutional, Hotel, Industrial, Commercial	Medium, Heavy-Duty	200 LBS (2 Hangers) 400 LBS (2 Hangers)	Concealed Hanger (Kerf Required)	44	
		C-108	C-103-4 Top & Face Mount Hanger	Sliding	Residential, Office, Institutional, Hotel, Industrial, Commercial	Medium, Heavy-Duty	200 LBS (2 Hangers)	Top & Face Mount Hanger	45	
		C-412	C-412 Quick Release Hanger	Sliding	Residential, Office, Institutional, Hotel, Hospitals, Nursing Homes	Light, Medium Duty	150 LBS (2 Hangers)	Quick Release Hanger	46	
Dual By-Pass Tracks		C-500	C-500 Top Mount Hanger	By-Passing	Residential, Office, Institutional, Hotel	Light, Medium Duty	125 LBS (2 Hangers)	For 1-3/4" Doors	51	
		C-538	C-538 Top Mount Hanger	By-Passing	Residential, Office, Institutional, Hotel	Light, Medium Duty	125 LBS (2 Hangers)	For 1-3/8" Doors	52	
		C-600	C-600 Top Mount Hanger	By-Passing	Residential, Hotel	Light Duty	75 LBS (2 Hangers)	Adjustable Nylon Wheel Hanger	53	
		C-650	C-650 Concealed Hanger	By-Passing	Residential, Hotel	Light Duty	75 LBS (2 Hangers)	Low Head Space, Nylon Wheels	54	
		C-2025, C-2035	C-2025, C-2035 Side-Mount Hanger	By-Passing	Residential, Hotel	Light Duty	60 LBS (2 Hangers)	Ease of Installation	55	
Bi-Fold & Pivot Systems		C-975	C-180HD Center Pivot Hanger		Pivot Hanger	Commercial, Galleries, Hotel, Room Divider	Heavy-Duty	250 LBS Per Panel/Leaf	Center Pivot Hanger	56
		C-204	C-515 Bi-Folding Kit with Quick Release Hanger	NEW!	Bi-Folding	Industrial, Commercial	Heavy-Duty	150 LBS Per Panel/Leaf	Quick Release Bi-folding Hardware	57
		C-104	C-415 Bi-Folding Kit with Quick Release Hanger	NEW!	Bi-Folding	Industrial, Commercial, Residential, Hotel	Medium, Heavy-Duty	120 LBS Per Panel/Leaf	Quick Release Bi-folding Hardware	58
		C-204	C-510 Bi-Folding Kit	NEW!	Bi-Folding	Industrial, Commercial	Heavy-Duty	200 LBS Per Panel/Leaf	Complete Kit for Bi-folding Hardware	59
		C-104	C-410 Bi-Folding Kit	IMPROVED	Bi-Folding	Industrial, Commercial, Residential, Hotel	Medium, Heavy-Duty	150 LBS Per Panel/Leaf	Complete Kit for Bi-folding Hardware	60
		CF-115	CF-115 Bi-Folding Kit		Bi-Folding	Residential, Office, Institutional, Hotel	Medium Duty	50 LBS Per Panel/Leaf	Complete Kit for Bi-folding Hardware	61
		CF-100	CF-100 Bi-Folding Kit		Bi-Folding	Residential, Hotel	Light Duty	20 LBS Per Panel/Leaf	Economical	62
		•••	C-409 Trackless Pivot	NEW!	Pivot Hardware	Industrial, Commercial	Heavy-Duty	150 LBS Per Door	Single Door Pivot Hardware	63
		•••	CF-116 Trackless Pivot	NEW!	Pivot Hardware	Residential, Hotel	Light, Medium Duty	50 LBS Per Door	Single Door Pivot Hardware	63
Crowder Display Systems		•••	Crowderslide		Telescopic	Retail Display, Galleries, Partitions	Heavy-Duty	Up to 160LBS	Telescoping Doors/Panels To Minimize Floor space	64
		•••	Heavy-Duty Curtain, Panel Display, Carpet Display Hangers & Hidden Hardware for Wall Panels	NEW!	Sliding	Retail Display, Galleries, Partitions	Light, Medium, Heavy-Duty	Varies	Multiple Display Hardware	65
		C-104, C-108	C-116-4, C-416-4 Festooning Hangers		Sliding	Industrial Festooning Systems	Heavy-Duty	Varies	Cable Carriers	66
Sliding Door Hardware	•••	Various	Fascia Series	NEW!	All Types	All Types	All Types	•••	•••	67
	•••	Various	Mounts & Joiners		All Types	All Types	All Types	•••	•••	68
	•••	Various	Door Stops	NEW & IMPROVED	All Types	All Types	All Types	•••	•••	69
	•••	Various	Door Guides	NEW!	All Types	All Types	All Types	•••	•••	70
	•••	Various	Door Guides	NEW & IMPROVED	All Types	All Types	All Types	•••	•••	71
	•••	Various	Door Locks & Pulls (Colour Chart)	NEW!	All Types	All Types	All Types	•••	•••	72
	•••	Various	Door Locks & Pulls	NEW!	All Types	All Types	All Types	•••	•••	73
	•••	Various	Heavy-Duty Door Locks & Pulls	NEW!	All Types	All Types	All Types	•••	•••	74
	•••	Various	Heavy-Duty Door Locks & Pulls (Combo Chart)	NEW!	All Types	All Types	All Types	•••	•••	75
Other		CR-101	Cubicle Track		Curtain	Hospitals	•••	•••	•••	76
		•••	Picture Rails		•••	Schools, Galleries	•••	20 LBS Per Hook	•••	77
		•••	KNCROWDER AGENTS							78-79

Throw a **curve** into your office! Spice it up!

KN Crowder, a leader in the sliding door track industry, introduces their new curved track system.

THE NEW CURVED door track system departs from the traditional 'boxy' office look and enables interesting spaces to be created using curved walls and doors. It is ideal for all pocket door applications. Concealed doors create a more spacious looking environment.

Sliding doors, whether curved or straight, save tremendous amounts of floor space compared to hinged doors. Curved tracks can be top mounted and Side-Mount brackets are available for wall-mounted applications. Almost all tracks and guide channels can be curved to meet the exact specified dimensions. With a 24" [610mm] minimum, any radius can be accommodated in any arc length. The curved sliding door track system is quiet and durable and ensures that the door's glide is extremely smooth.

KN Crowder is committed to innovation. We provide the sliding door industry with quality engineered, durable and time-tested hardware through our Crowdertrack line of sliding door products. Crowdertrack is as 'smooth as flight'.



new

CRT-100 SERIES

ROUND BAR TRACK SERIES

new

Architecture & Design Collection

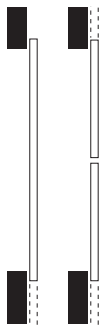


CRT-101 HANGER TOP MOUNT

NEW & MODERN Crowdertrack Round Bar Track (CRT) series starts with our Top Mount hanger for wood doors. Prominent & Exposed hardware for surface mounted barn door style applications: featuring large, 3-1/2" [88.9mm] diameter, delrin wheels with polished stainless steel side plates. Delrin has excellent strength and wear resistance while providing minimal friction. Combined with precision ball bearings, these wheels provide extremely smooth and silent door operation. Precision machined and polished Solid 304 Satin Stainless Steel round bar track and hardware components combined for state-of-the-art appearance.

- **CRT-100 Track** Polished 304 Satin Stainless Steel 1" [25.4mm] Solid Round Bar weighing 2.700 lbs. per foot.
- Load Capacity **350 lbs. (two hangers)**
- Load Capacity **450 lbs. (three hangers)**
- Load Capacity **600 lbs. (four hangers)**

Up to 350 lbs. per door



CRT-101 COMPLETE KIT FOR ONE DOOR

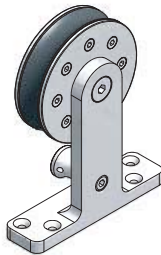


1 - CRT-100 1" round bar track x length based on kit size. (eg. 72" [1829mm] Kit for 36" [914mm] wide door)

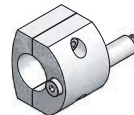
CRT-111-WB wall mount brackets for round bar track (quantity is based on kit size). Complete with 5/16"-18 socket cap screws with expansion shields.



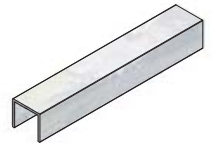
2 - CRT-101 top mount hangers complete with anti-lift and screws



2 - CRT-110 shock absorbing stops (clamps around 1" [25.4mm] bar)



1 - C-914 aluminum guide channel x length based on kit size (eg. 72" [1829mm] kit = 36" [914mm] long guide channel)

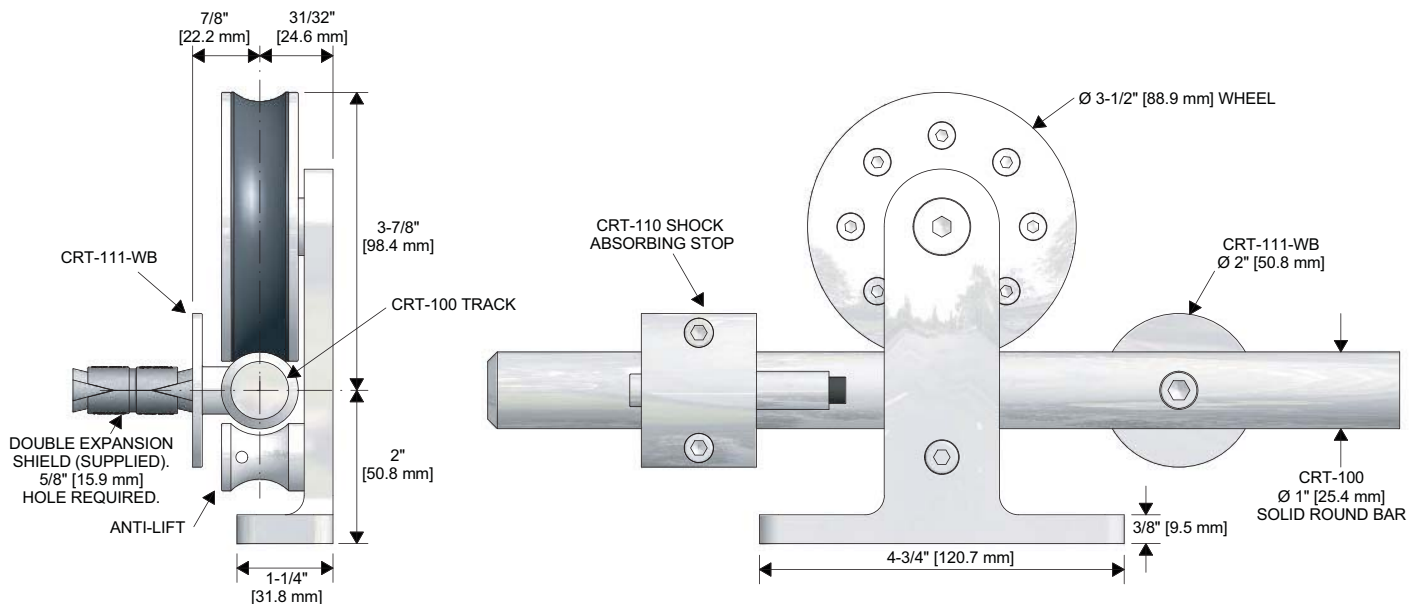


1 - C-913 aluminum floor guide complete with screws



NOTE: Alternate Heavy-Duty and Wall Mount Guides shown on page 70

CRT-101 HANGER WITH CRT-100 TRACK DETAIL



CRT-100 SERIES

ROUND BAR TRACK SERIES

new



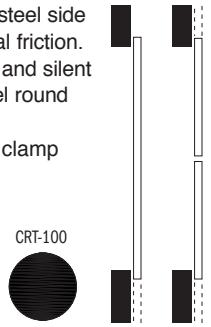
CRT-102 HANGER STRAP MOUNT FOR WOOD DOORS

NEW & MODERN Crowdertrack Round Bar Track (CRT) series features Fashionable & Original Strap Mount hangers for wood doors. Mimicking the traditional flat track system used in barns, this series is ideal for high-end barn doors.

Prominent & Exposed hardware for surface mounted barn door style applications: featuring large, 3-1/2" [88.9mm] diameter, delrin wheels with polished stainless steel side plates. Delrin has excellent strength and wear resistance while providing minimal friction. Combined with precision ball bearings, these wheels provide extremely smooth and silent door operation. Precision machined and polished Solid 304 Satin Stainless Steel round bar track and hardware components combined for state-of-the-art appearance.

Our **CRT-102 Hanger** requires two 3/4" [19.1mm] holes per hanger in order to clamp the wood door to the hanger. For 1-3/4" [44.5mm] thick doors.

- **CRT-100 Track** Polished 304 Satin Stainless Steel 1" [25.4mm] Solid Round Bar weighing 2.700 lbs. per foot.
- Load Capacity **350 lbs. (two hangers)**
- Load Capacity **450 lbs. (three hangers)**
- Load Capacity **600 lbs. (four hangers)**



CRT-102 COMPLETE KIT FOR ONE DOOR

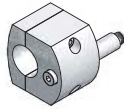
- 2 - CRT-102**
Face mount hangers complete with anti-lift and custom mounting screws



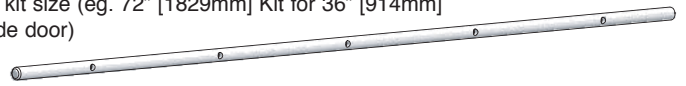
CRT-122-WB wall mount brackets for round bar track (quantity is based on kit size). Complete with 5/16"-18 Socket Cap Screws and Expansion Shields.



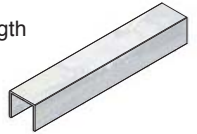
2 - CRT-120 shock absorbing stops (clamps around 1" [25.4mm] bar)



- 1 - CRT-100** 1" round bar track x length based on kit size (eg. 72" [1829mm] Kit for 36" [914mm] wide door)



- 1 - C-914** aluminum guide channel x length based on kit size (eg. 72" [1829mm] Kit for 36" [914mm] wide door)



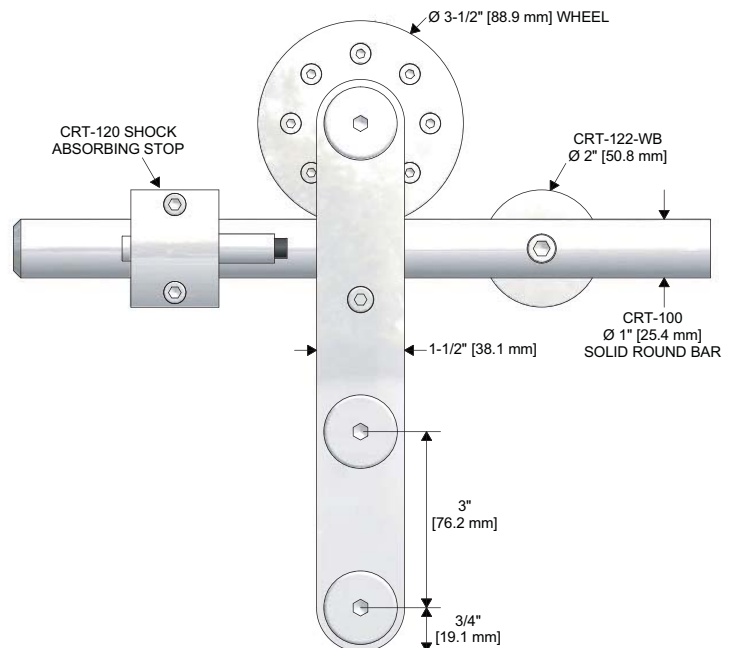
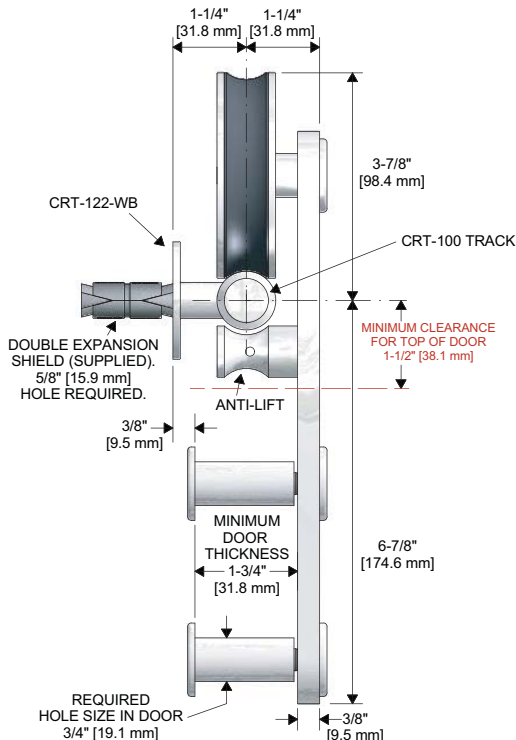
- 1 - C-913** floor guide complete with screws



NOTE: Alternate Heavy-Duty and Wall Mount Guides shown on page 70

CRT-102 HANGER WITH CRT-100 TRACK DETAIL

STRAP MOUNT FOR 1-3/4" [44.5MM] THICK DOORS.



CRT-100 SERIES

ROUND BAR TRACK SERIES

new

Architecture & Design Collection



CRT-103 GLASS HANGER

FACE MOUNT FOR GLASS DOORS

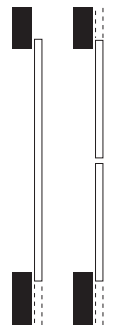
NEW & MODERN Crowdertrack Round Bar Track (CRT) series features Fashionable & Original Face Mount hangers for full glass doors. Ideal for a high end barn door style sliding hardware for use with tempered glass doors.

Prominent & Exposed hardware for surface mounted barn door style applications: featuring large, 3-1/2" [88.9mm] diameter, delrin wheels with polished stainless steel side plates. Delrin has excellent strength and wear resistance while providing minimal friction. Combined with precision ball bearings, these wheels provide extremely smooth and silent door operation. Precision machined and polished Solid 304 Satin Stainless Steel round bar track and hardware components combined for state-of-the-art appearance.

Our **CRT-103 Hanger** requires two 3/4" [19.1mm] holes per hanger in order to clamp the glass door to the hanger. Works for 3/8" [10mm] to 1/2" [12mm] thick glass.

- **CRT-100 Track** Polished 304 **Satin Stainless Steel 1" [25.4mm] Solid Round Bar** weighing 2.700 lbs. per foot.
- Load Capacity **350 lbs. (two hangers)**
- Load Capacity **450 lbs. (three hangers)**
- Load Capacity **600 lbs. (four hangers)**

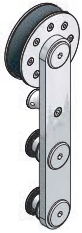
Up to **350 lbs.** per door



CRT-103 COMPLETE KIT FOR ONE DOOR

2 - CRT-103

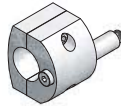
Face mount glass hangers (specify glass thickness) complete with anti-lift and custom mounting screws



CRT-111-WB wall mount brackets for round bar track (quantity is based on kit size). Complete with 5/16"-18 Socket Cap Screws and Expansion Shields.



2 - CRT-110 shock absorbing stops (clamps around 1" [25.4mm] bar)



1 - CRT-100 1" round bar track x length based on kit size (eg. 72" [1829mm] Kit for 36" [914mm] wide door)



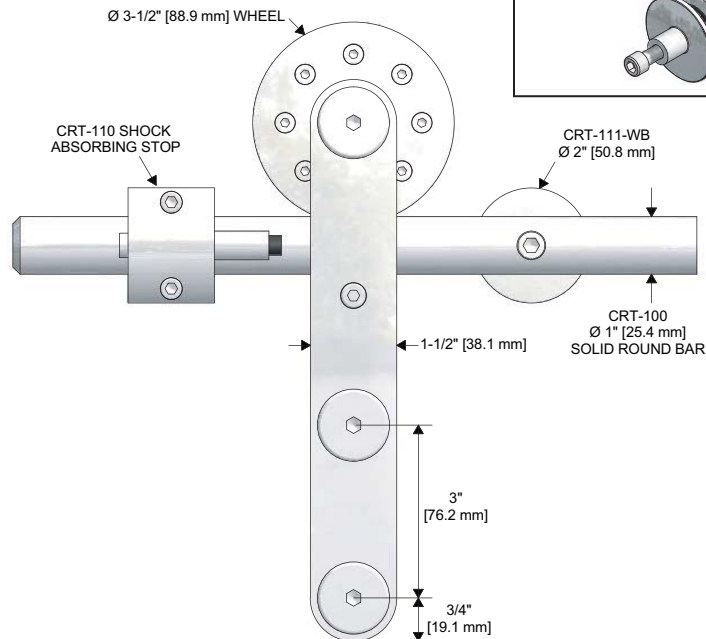
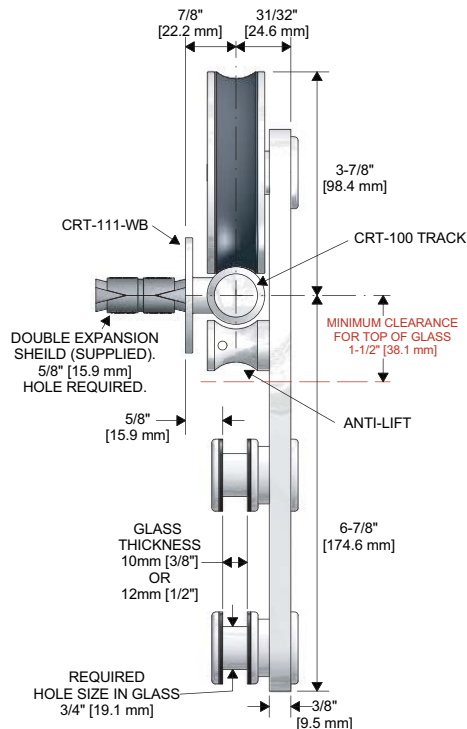
1 - CGGS-038 (for 3/8" [10mm]) or **CGGS-012** (for 1/2" [12mm]) Aluminum Bottom Glass Stationary Guide



CRT-103-GWB (Glass Wall Bracket) also available. Please contact Customer Service for more information.

CRT-103 HANGER WITH CRT-100 TRACK DETAIL

FACE MOUNT FOR 3/8" [10MM] OR 1/2" [12MM] THICK GLASS DOORS.



CROWDER GLASS HANGERS

FOR SINGLE, BI-PARTING, BY-PASSING, POCKET OR SURFACE MOUNTED DOORS

new

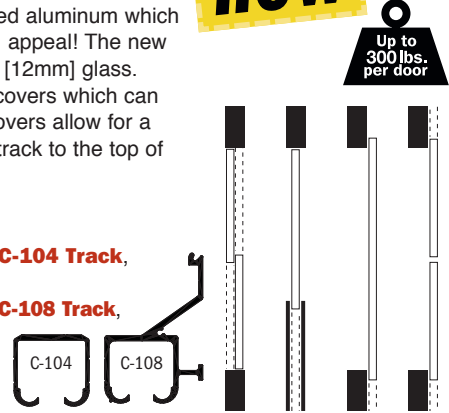
Architecture & Design Collection



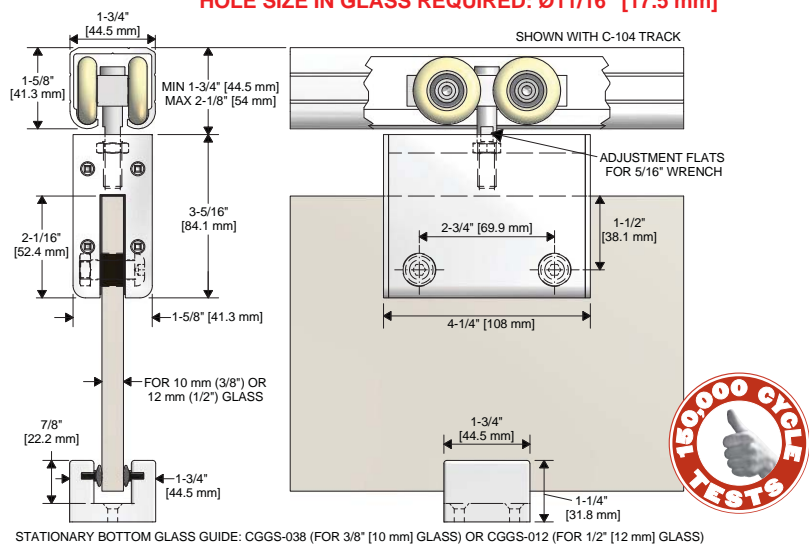
NEW CROWDER GLASS HANGERS

have been redesigned and created from extruded aluminum which allows for easy installation and enhanced visual appeal! The new CGH hangers are made for 3/8" [10mm] or 1/2" [12mm] glass. Hardware is concealed by our unique snap-on covers which can be supplied in different finishes. The snap-on covers allow for a minimum clearance between the bottom of the track to the top of the hanger to be 1/8" [3.2mm].

- **CGH-038 Hanger** for 3/8" [10mm] thick glass
- **CGH-012 Hanger** for 1/2" [12mm] thick glass
- Use with Extruded Aluminum Clear Anodized **C-104 Track**, 6063T5 Alloy
- Use with Extruded Aluminum Clear Anodized **C-108 Track**, 6063T5 Alloy
- Load Capacity **300lbs (two hangers)**



HOLE SIZE IN GLASS REQUIRED: Ø11/16" [17.5 mm]



NEW CGH HANGERS ARE AVAILABLE UP TO 96" [2438MM] WIDE FOR FULL PANEL WIDTH APPLICATIONS. SEE WEBSITE FOR MORE DETAILS.



STATIONARY BOTTOM GLASS GUIDE: CGGS-038 (FOR 3/8" [10 mm] GLASS) OR CGGS-012 (FOR 1/2" [12 mm] GLASS)

STATIONARY BOTTOM GLASS GUIDE: **CGGS-038** (FOR 3/8" [10mm] GLASS) OR **CGGS-012** (FOR 1/2" [12mm] GLASS)

OPTIONAL PRODUCTS

new



CGGS-038 (for 3/8" [10mm]) or **CGGS-012** (for 1/2" [12mm]) bottom glass stationary guide



C-100HD Door Stop assists with door positioning



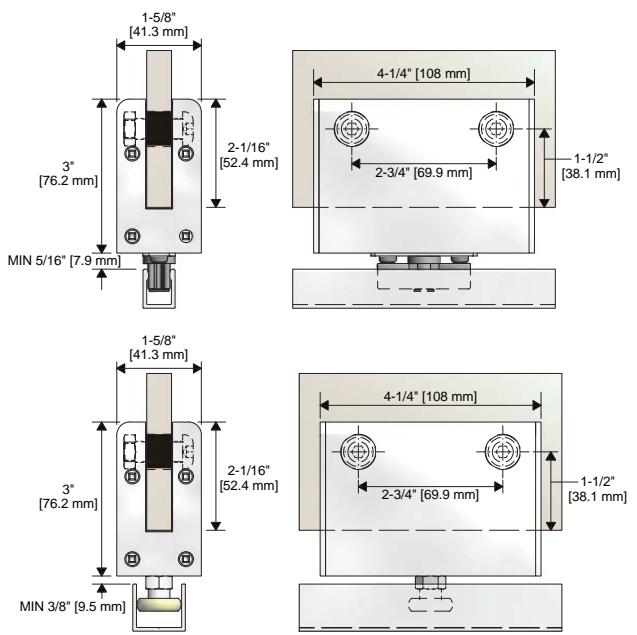
CGG-038 (for 3/8" [10mm]) or **CGG-012** (for 1/2" [12mm]) bottom glass guide. To be used with C-201 guide channel recessed in floor



CGP-038 (for 3/8" [10mm]) or **CGP-012** (for 1/2" [12mm]) glass door pulls. Stainless Steel Finish



CGGHD-038 (for 3/8" [10mm]) or **CGGHD-012** (for 1/2" [12mm]) bottom glass guide. To be used with C-914 guide channel recessed in floor



CFT-200 SERIES

FLAT BAR TRACK SERIES

new

Architecture & Design Collection

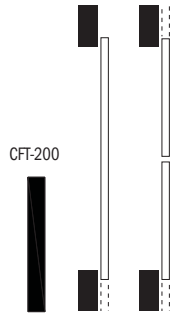


CFT-201 HANGER TOP MOUNT FOR WOOD DOORS

NEW Crowdertrack Flat Bar Track (CFT) series starts with our Basic Top Mount Hanger for wood doors. Mimicking the traditional flat track system used in barns, of steel rollers on a steel bar, this series is ideal for industrial style barn doors. The CFT series is available in 304 Stainless Steel polished to satin finish, and steel with Black Finish. Other finishes available upon request.

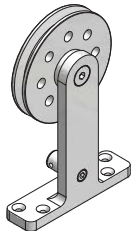
- **CFT-200-SS Track** Polished 304 **Satin Stainless Steel 1/4" [6.4mm] x 2" [50.8mm] Solid Flat Bar** weighing 1.720 lbs. per foot.
- **CFT-200-BP Track** Black Finish **Cold Rolled Steel 1/4" [6.4mm] x 2" [50.8mm] Solid Flat Bar** weighing 1.700 lbs. per foot.
- Load Capacity **300 lbs. (two hangers)**
- Load Capacity **450 lbs. (three hangers)**
- Load Capacity **600 lbs. (four hangers)**

Up to **300 lbs.** per door



CFT-201 COMPLETE KIT FOR ONE DOOR

2 - CFT-201 top mount hangers complete with anti-lift and screws.



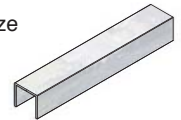
CFT-211-WB wall mount brackets for flat bar track (quantity is based on kit size). Complete with 5/16"-18 flat head socket screws and expansion shields.



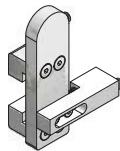
1 - CFT-200 (2" [50.8mm] x 1/4" [6.4mm] Flat bar track) X length based on kit size (eg. 72" [1829mm]) Kit for 36" [914mm] wide door



1 - C-914 aluminum guide channel x length based on kit size (eg. 72" [1829mm]) Kit = 36" [914mm] long guide channel



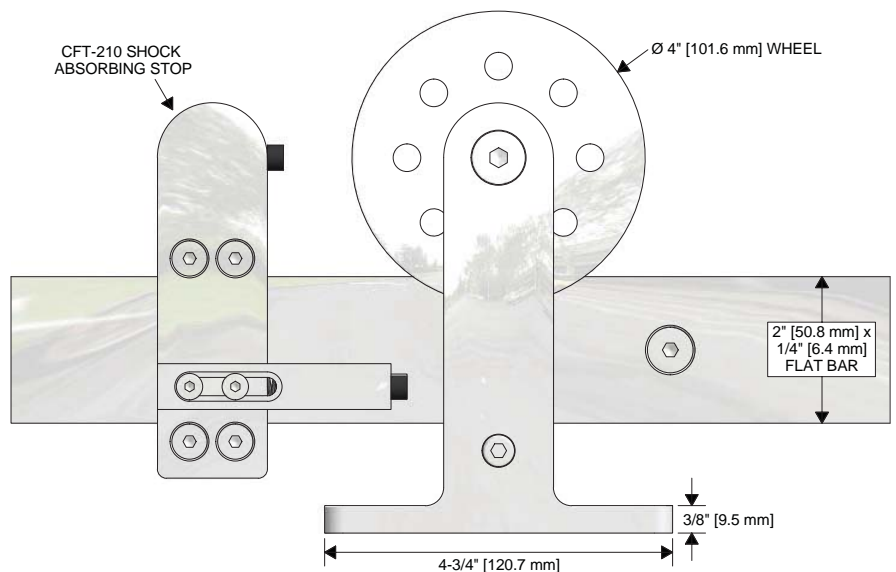
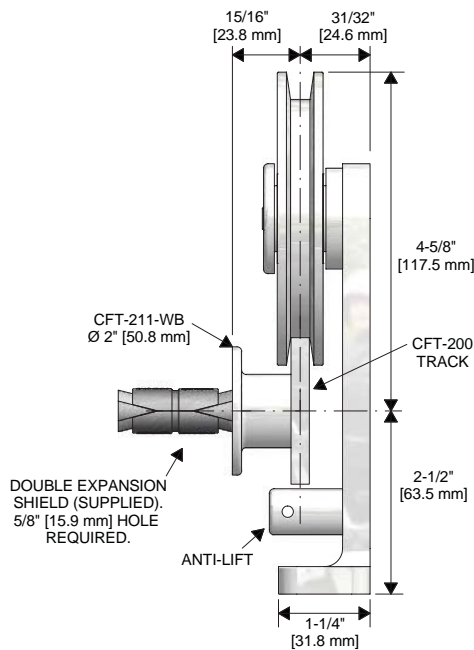
2 - CFT-210 shock absorbing stops (clamps around 2" [50.8mm] x 1/4" [6.4mm] flat bar)



1 - C-913 floor guide complete with screws



CFT-201 HANGER WITH CFT-200 TRACK DETAIL



CFT-200 SERIES

FLAT BAR TRACK SERIES

new

Architecture & Design Collection



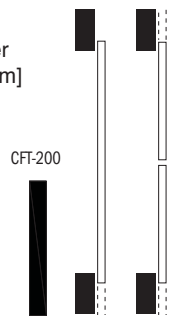
CFT-202 HANGER STRAP MOUNT FOR WOOD DOORS

NEW Crowdertrack Flat Bar Track (CFT) series features Fashionable & Original Strap Mount Hangers for wood doors. Ideal for barn door style hardware to mimic the old-school flat track sliding system used in Barns. Mimicking the traditional flat track system used in barns, of steel rollers on a steel bar, this series is ideal for industrial style barn doors. The CFT series is available in 304 Stainless Steel polished to satin finish, and steel with Black Finish. Other finishes available upon request. This series is only suitable for 1-3/4" [44.5mm] thick doors.

Our **CFT-202 Hanger** requires two 3/4" [19.1mm] holes per hanger in order to clamp the wood door to the hanger.

- **CFT-200-SS Track** Polished 304 Satin Stainless Steel 1/4" [6.4mm] x 2" [50.8mm] Solid Flat Bar weighing 1.720 lbs. per foot.
- **CFT-200-BP Track** Black Finish Cold Rolled Steel 1/4" [6.4mm] x 2" [50.8mm] Solid Flat Bar weighing 1.700 lbs. per foot.
- Load Capacity **300 lbs. (two hangers)**
- Load Capacity **450 lbs. (three hangers)**
- Load Capacity **600 lbs. (four hangers)**

Up to 300 lbs. per door



CFT-202 COMPLETE KIT FOR ONE DOOR

2 - CFT-202 strap mount hangers complete with anti-lift and custom mounting screws.

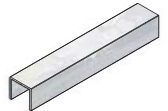


CFT-222-WB wall mount brackets for flat bar track (quantity is based on kit size). Complete with 5/16"-18 flat head socket screws and expansion shields.

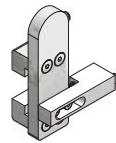


1 - CFT-200 (1/4" x 2" Flat bar track) X length based on kit size (eg. 72" [1829mm] Kit for 36" [914mm] wide door)

1 - C-914 aluminum guide channel x length based on kit size (eg. 72" [1829mm] kit = 36" [914mm] long guide channel)



2 - CFT-220 shock absorbing stops (clamps around 2" [50.8mm] x 1/4" [6.4mm] flat bar)

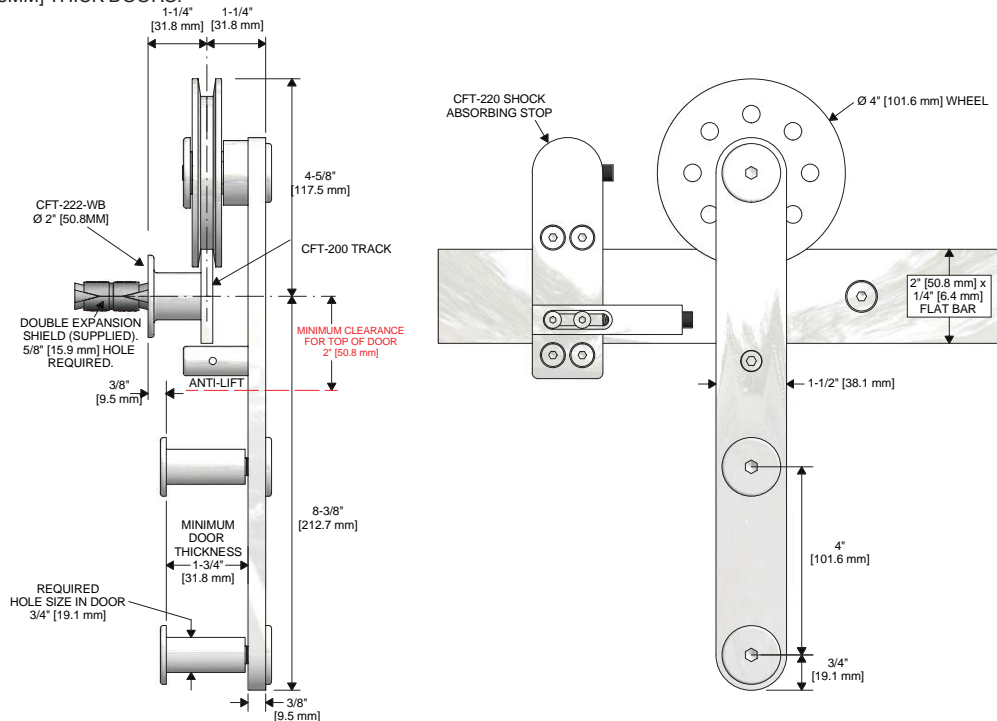


1 - C-913 floor guide complete with screws



CFT-202 HANGER WITH CFT-200 TRACK DETAIL

STRAP MOUNT FOR 1-3/4" [44.5MM] THICK DOORS.

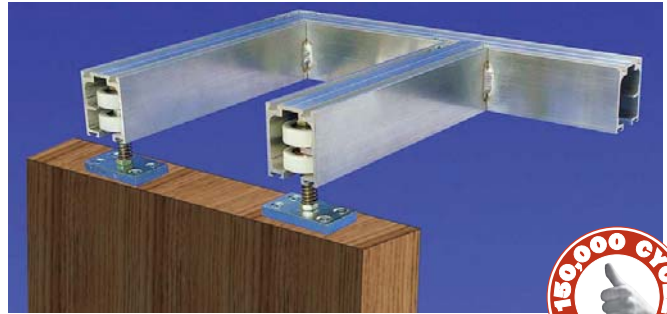


CST-700 SERIES

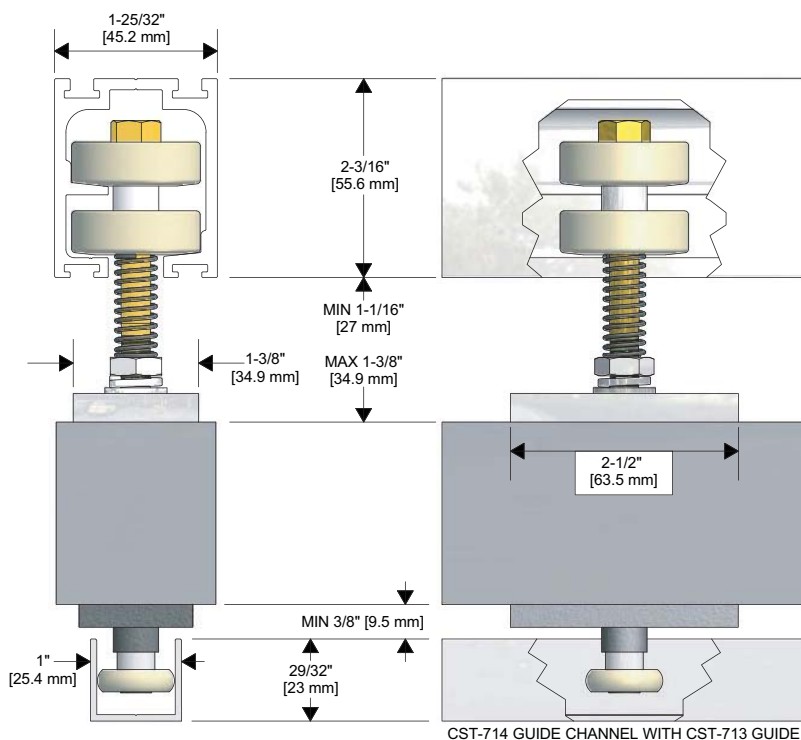
CROWDER STACKING TRACK – ROOM DIVIDER

For light and medium duty folding partitions and stacking door systems. Hangers with axial bearings carry door and permit pivoting or cornering as required. Top mount track system with bottom guide channel available.

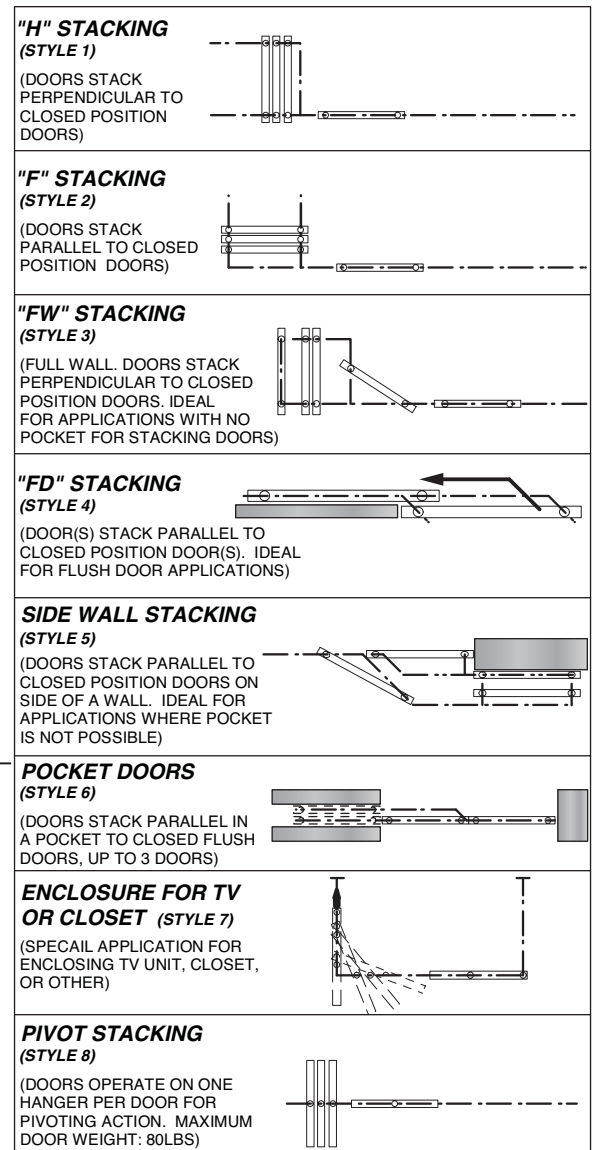
- Use with Extruded Aluminum **CST-700 Track**, 6063T5 Alloy
- Single center mounted hanger for pivoting/rotating applications up to 100lbs.
- Dual hanger systems for cornering and stacking partition and multiple door pocket systems (200lbs. per door)
- Bottom guide system is recommended. In the event that it is not an option, surface or flush bolts are required to stabilize the doors.



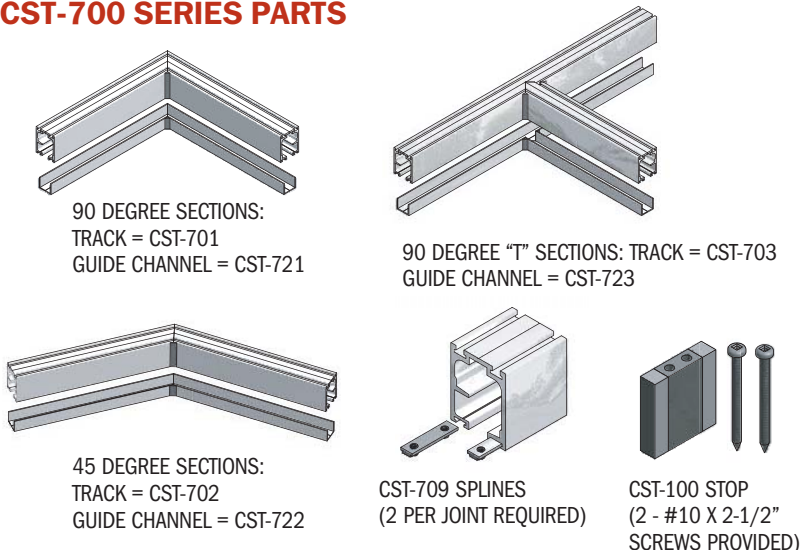
CST-700 TRACK WITH CST-710 HANGER DETAILS:



POSSIBLE CONFIGURATIONS:



CST-700 SERIES PARTS



NOTE: FOR CUSTOM CONFIGURATIONS, PLEASE CONTACT K.N. CROWDER FOR MORE INFORMATION.

COME-ALONG SYSTEM

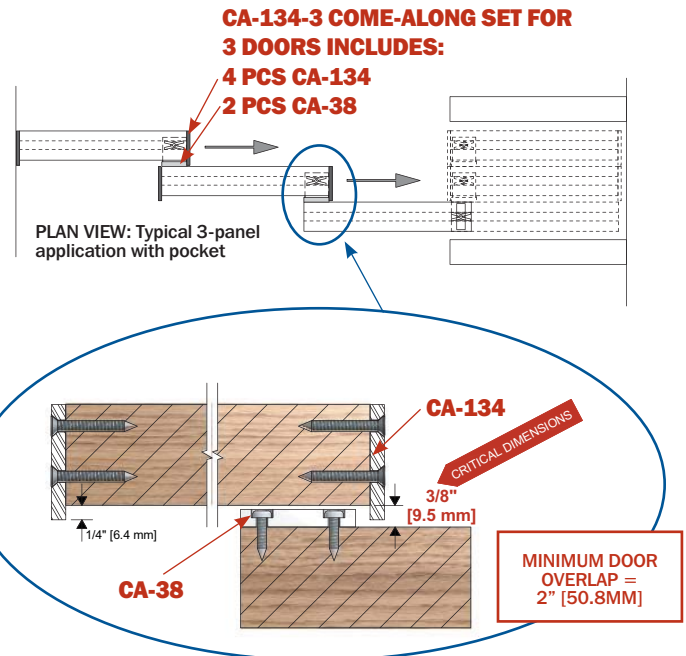
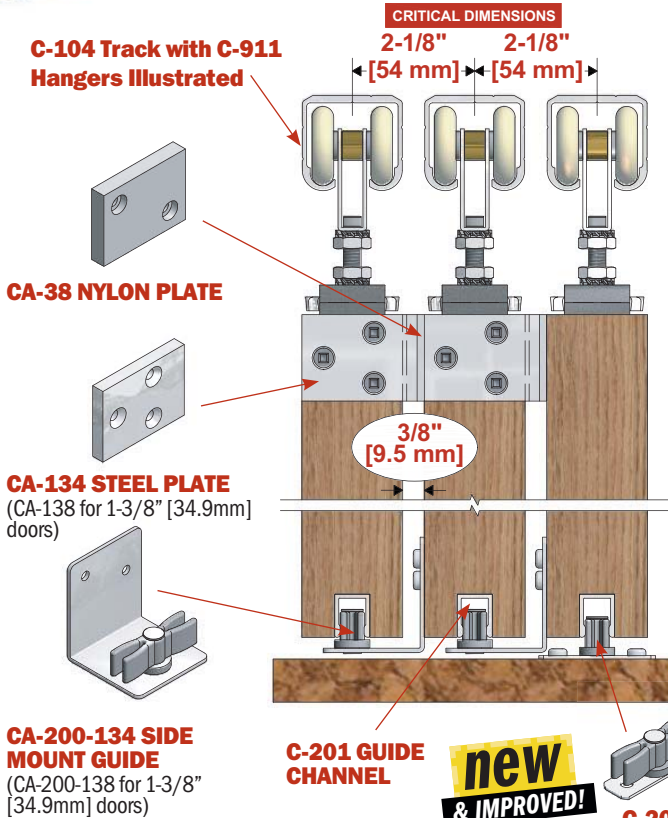
new
& IMPROVED!

Custom Systems



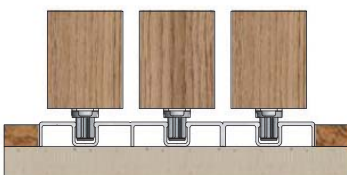
CROWDER COME-ALONG

Door Hardware permits easy operation of By-Passing Door Systems. In multiple door applications, closing the lead door results in the second and successive doors following along. Similarly, when opening the doors, operating the leading door results in other doors stacking and moving jointly to the storage position. Where possible, the continuous stability provided by the **C-202** (for 1-3/4" [44.5mm] doors) and **C-238** (for 1-3/8" [34.9mm] doors) series Guide Thresholds result in a smooth, easy to operate system. Where unobstructed floors are necessary, the door mounted **CA-200** or **CA-913** Guides with the **C-201** or **C-914** Guide Channel will provide bottom stability. For special door thicknesses and number of doors, please contact customer service for more information.



ALTERNATE GUIDE OPTIONS FOR COME-ALONG SYSTEMS:

SEE PAGES 70-71 FOR MORE DETAILS



CONTINUOUS
C-202-3 Guide Threshold for 1-3/4" [44.5mm] thick doors.
C-238-3 also available for 1-3/8" [34.9mm] thick doors.



new & IMPROVED!

CA-913-134 (for 1-3/4" [44.5mm]) or **CA-913-138** (for 1-3/8" [34.9mm] doors) Side-Mount Guide with **C-913** Floor Guide and **C-914** Guide Channel.



CA-200 OR CA-913 SIDE-MOUNT GUIDES when used, must be installed directly below **CA-38** bracket(s) (as illustrated on left).

KNCROWDER **new** STAINLESS STEEL HANGERS

Custom Systems

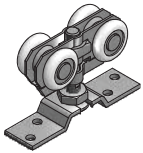
C-538-SS Hangers with C-538 Track



K.N. CROWDER introduces a new line of Stainless Steel Hangers to go with our standard aluminum track. Ideal for applications exposed to moisture, saltwater, and other factors. It is recommended the aluminum track be Clear or Bronze Anodized for use with the Stainless Steel Hangers. For more information on our Stainless Steel Hangers, please contact customer service.

STAINLESS STEEL HANGERS:

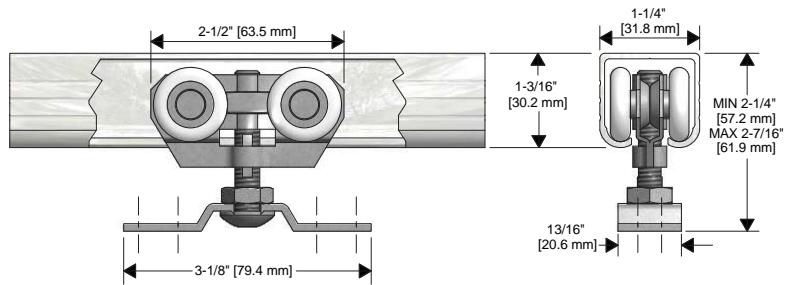
- 304 Stainless Steel Bolts & Machined Components
- 440C Stainless Steel Precision Ball Bearings
- C-400-SS, C-500-SS, C-538-SS, & C-994-SS bearings with molded Nylon Tires
- C-995-SS bearings with Stainless Steel Tires
- Load Capacity as per below



C-400-SS Hanger
C-400-SS HANGER FOR C-400 TRACK



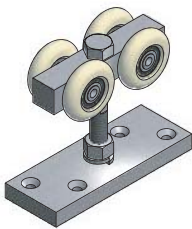
C-400-SS HANGER WITH C-400 TRACK DETAIL



C-500-SS Hanger
FOR C-500 TRACK
PLEASE SEE PAGE 51 FOR TRACK DETAILS



C-538-SS Hanger
FOR C-538 TRACK
PLEASE SEE PAGE 52 FOR TRACK DETAILS

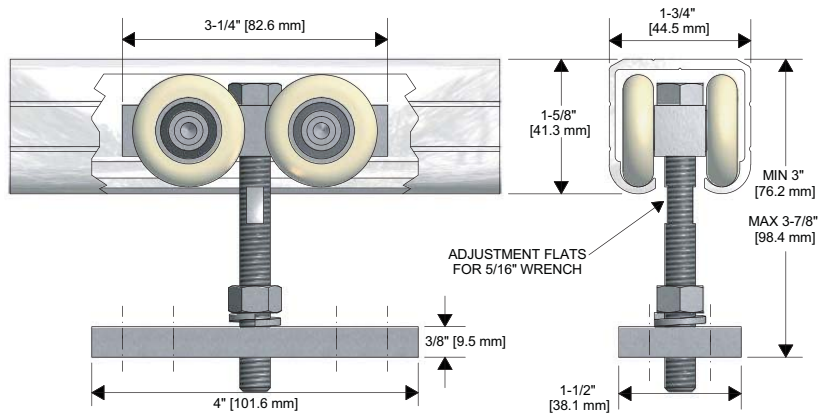


C-994-SS Hanger
FOR C-104 OR C-108 TRACK

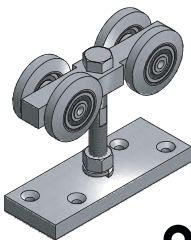
PLEASE SEE PAGE 38 FOR
C-108 TRACK DETAILS



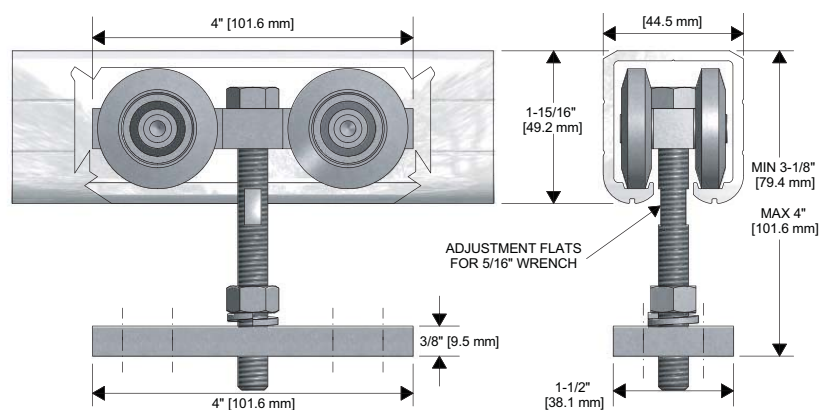
C-994-SS HANGER WITH C-104 TRACK DETAIL



C-995-SS Hanger
FOR C-204 TRACK



C-995-SS HANGER WITH C-204 TRACK DETAIL



HIGH SECURITY DOOR SYSTEM

new

KNC has always aimed to make the highest quality sliding door track & hardware but also tackles new challenges and custom applications. This is where our one of a kind and a first in Canada, High Security Door System comes in. Our High Security Door system, created from modifying our best selling **C-108** & **C-110** Fascia series, and using our Heavy-Duty **C-810** Hanger provides the standard smooth & quiet sliding door operation *with* the addition of security. This system will prevent users from tampering with the assembly or operation of the door.

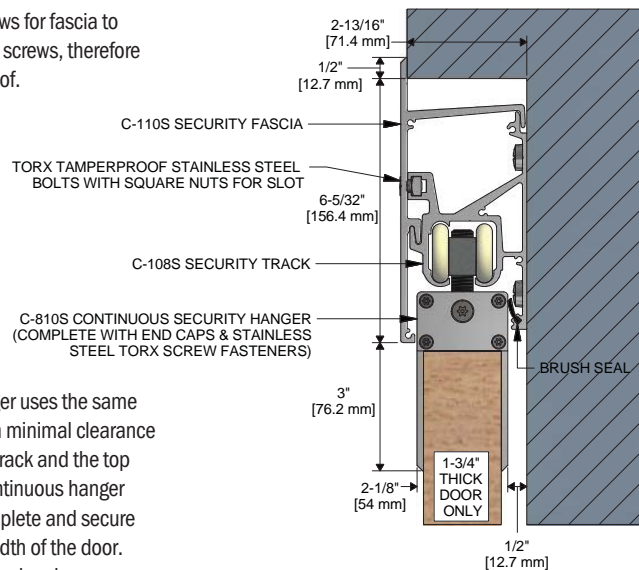
THIS PAGE SHOWS A COMPLETE SIDE-MOUNT HIGH SECURITY DOOR SYSTEM.

With our new **C-108S** track mounted to the wall with a custom bulk head above for the fascia to rest against, the door would be hung using our modified **C-810S** Continuous Hanger. Using our **C-914** Guide Channel recessed in the bottom of the door in conjunction with our **CSM-913-2HD** Side-Mount Guide results in rigidity and stability at the bottom of the door without obstructions on the floor. Using the new **C-110S** Security Fascia and fastening it to the track with tamper proof torx bolts creates a fixed and solid system that cannot be tampered with. For high security sliding door lock, our **C-90L-CC** Lock and Pull completes the system (see pages 72–75 for more details).

Our High Security Door System is ideal for hospitals, institutional use as well as for other applications requiring tamper resistant hardware. For more information, details and availability of our High Security System, please contact customer service.

CSM-913-2HD
Heavy-Duty Side-Mount Guide with 2 rollers provides more stability to the bottom of the door. See page 70 for more details.

Specially designed **C-108S** track and **C-110S** fascia allows for fascia to be fastened with torx screws, therefore making it tamper proof.



C-810S Continuous Hanger uses the same concept as the **C-810** with minimal clearance between the bottom of the track and the top of the hanger body. The continuous hanger is fabricated to provide complete and secure support across the whole width of the door. Complete with Torx screws and end caps.



Custom Systems

HOW TO HANG **HEAVY-DUTY** DOORS

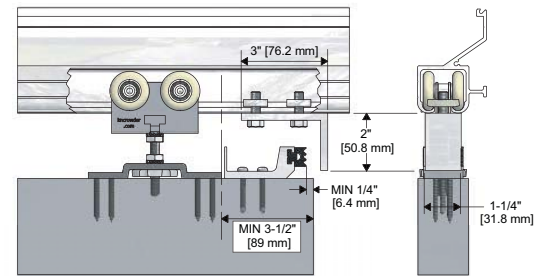
INTRODUCING ONE OF OUR NEWEST PRODUCTS

The Complete Side-Mount **new** Sliding Door System

KNC has always aimed to make the highest quality sliding door track & hardware. Our continuous side-mounted tracks, a first in Canada, were designed to meet the needs of Canada's top interior designers. Our innovative snap-on/clip-on Fascia products provide significant cost savings and a clean appearance on concealed track applications.

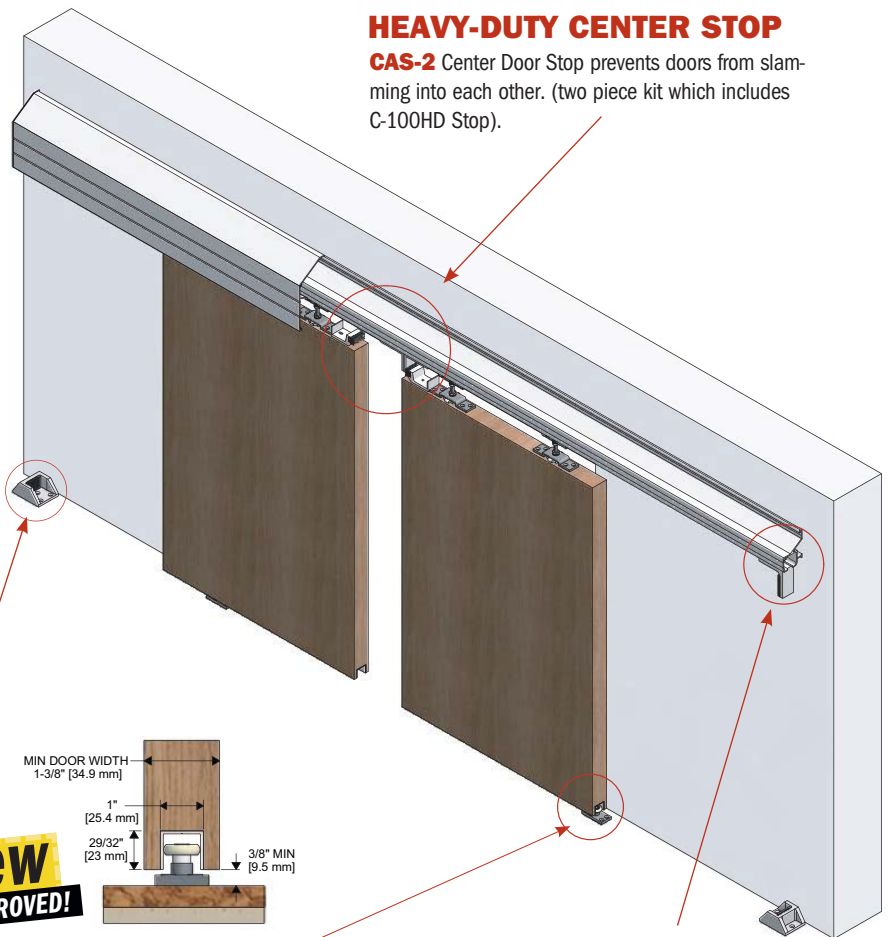
THIS PAGE SHOWS A COMPLETE SIDE-MOUNT SLIDING DOOR SYSTEM. With our **C-108** Track mounted to the wall, the door(s) can be hung using the appropriate hangers as described on pages 38-45. Our heavy-duty **C-913/C-914** Guide System provides stability to the bottom of the door while the **CAS-1** and/or **CAS-2** Stops provide safe, problem free door positioning. The **C-102HD** Floor Stop provides additional stoppage for the bottom of the doors and prevents door from "kicking".

Finally, our **C-110** Fascia snaps into position covering the track and hangers, cutting down on time and expensive labour required to site fabricate a fascia or bulkhead. The **C-110** is available in Clear Anodized aluminum or paint ready primer finish from stock. Baked on enamel finishes are also available to meet job specific requirements.



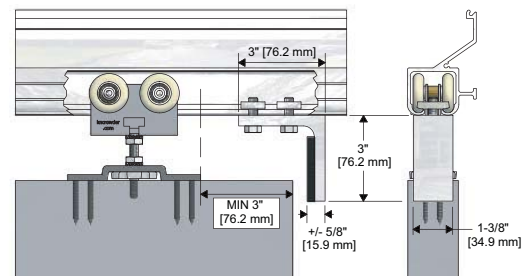
HEAVY-DUTY CENTER STOP

CAS-2 Center Door Stop prevents doors from slamming into each other. (two piece kit which includes C-100HD Stop).



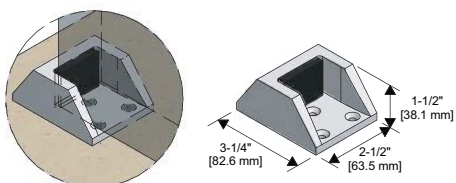
HEAVY-DUTY END STOP

CAS-1 End Stop prevents door from sliding off end of track.



HEAVY-DUTY FLOOR STOP

C-102HD Floor Door Stop for 1-3/4" [44.5mm] doors only, is used to stop and stabilize the bottom of the door.



GUIDE SYSTEM

Recessed **C-914** Heavy-Duty Guide Channel and **C-913** Heavy-Duty Roller Guide are floor mounted in overlapping position, eliminating trip hazards on the floor.

NEW: Suitable for 1-3/8" [34.9mm] or thicker door applications.

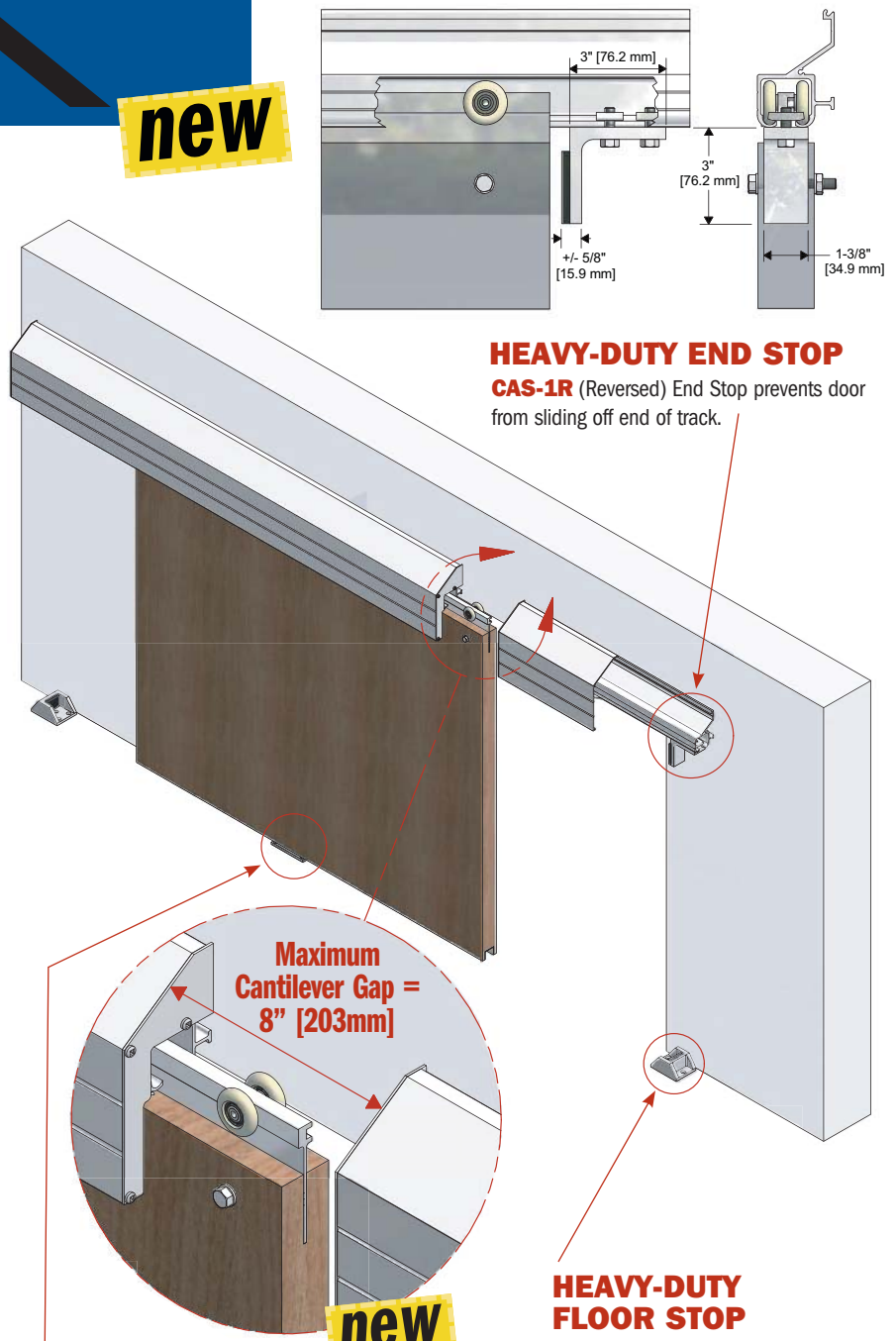
CANTILEVER A DOOR

new

KNC Our Cantilever System allows for a sliding door to be installed over an opening with a gap in the track system for specific needs such as a patient lift tracking system traveling from one room to the next. The Maximum cantilever gap is 8" [203mm].

THIS PAGE SHOWS A COMPLETE SIDE-MOUNT CANTILEVER SLIDING DOOR SYSTEM. With 2 pieces of our **C-108** Track mounted to the wall, the door can be hung using our **C-105-C** or **C-107-C** continuous hanger (same width as door). See page 44 for **C-105-4** with **C-108** or page 42 for **C-107-4** with **C-108** for more details. Our Heavy-Duty **C-914** Guide Channel in conjunction with our **C-913-2** Dual Roller Floor Guide provides stability to the bottom of the door, while the **CAS-1R** Stop provides safe, problem free door positioning. The **C-102HD** Floor Stop provides additional stoppage for the bottom of the doors and prevents door from "kicking".

Finally, our **C-110** Fascia snaps into position covering the track, hangers, and stops, cutting down on time and expensive labour required on-site to fabricate a fascia or bulk head. Our stock **C-110** End Caps are used on the two outside ends of the fascia, and notched **C-110** End Caps are used on the inside of the cantilever gap to cover the track while allowing the hanger to travel through. The **C-110** is available in Clear Anodized aluminum or painted primer finish from stock. Baked on Enamel finishes are also available to meet job specific requirements.



Custom Systems

HEAVY-DUTY END STOP

CAS-1R (Reversed) End Stop prevents door from sliding off end of track.

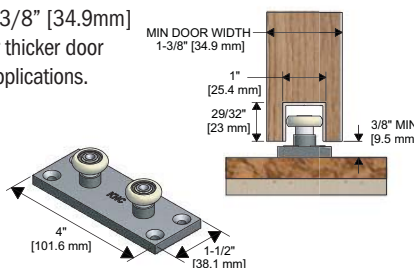
Maximum Cantilever Gap = 8" [203mm]

new & IMPROVED!

GUIDE SYSTEM

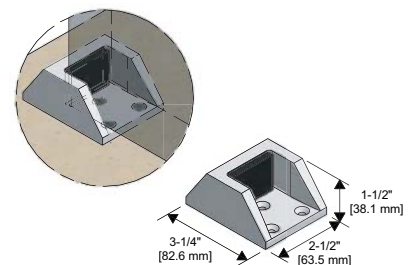
Recessed **C-914** Heavy-Duty Guide Channel and **C-913-2** Heavy-Duty Roller Guide are floor mounted in an overlap position to eliminate trip hazards on the floor.

NEW: Suitable for 1-3/8" [34.9mm] or thicker door applications.



HEAVY-DUTY FLOOR STOP

C-102HD Floor Door Stop for 1-3/4" [44.5mm] doors only, is used to stop and stabilize the bottom of the door.

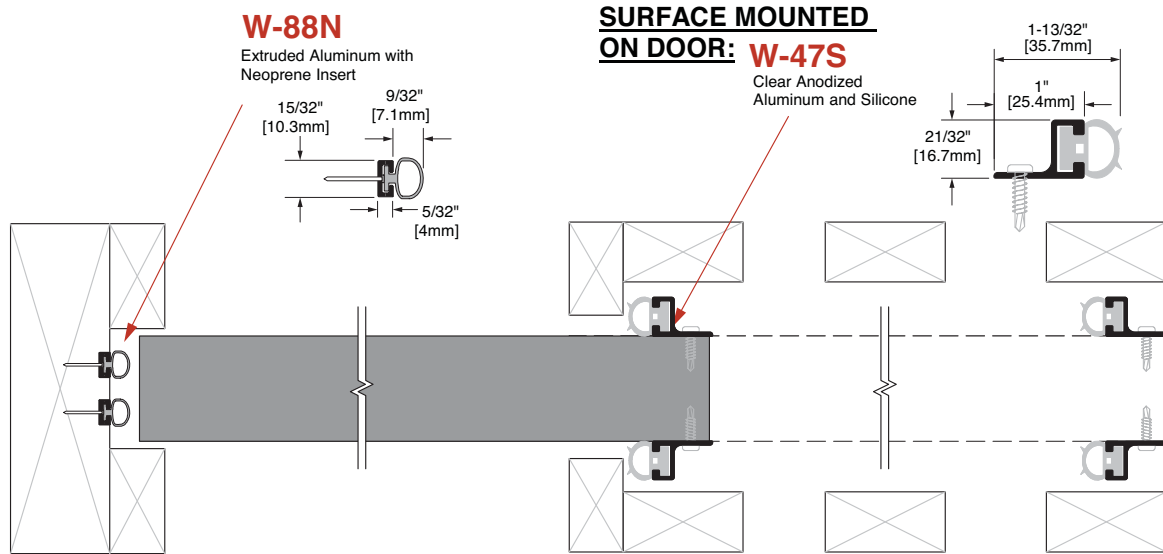


SOUND SEALING POCKET DOORS

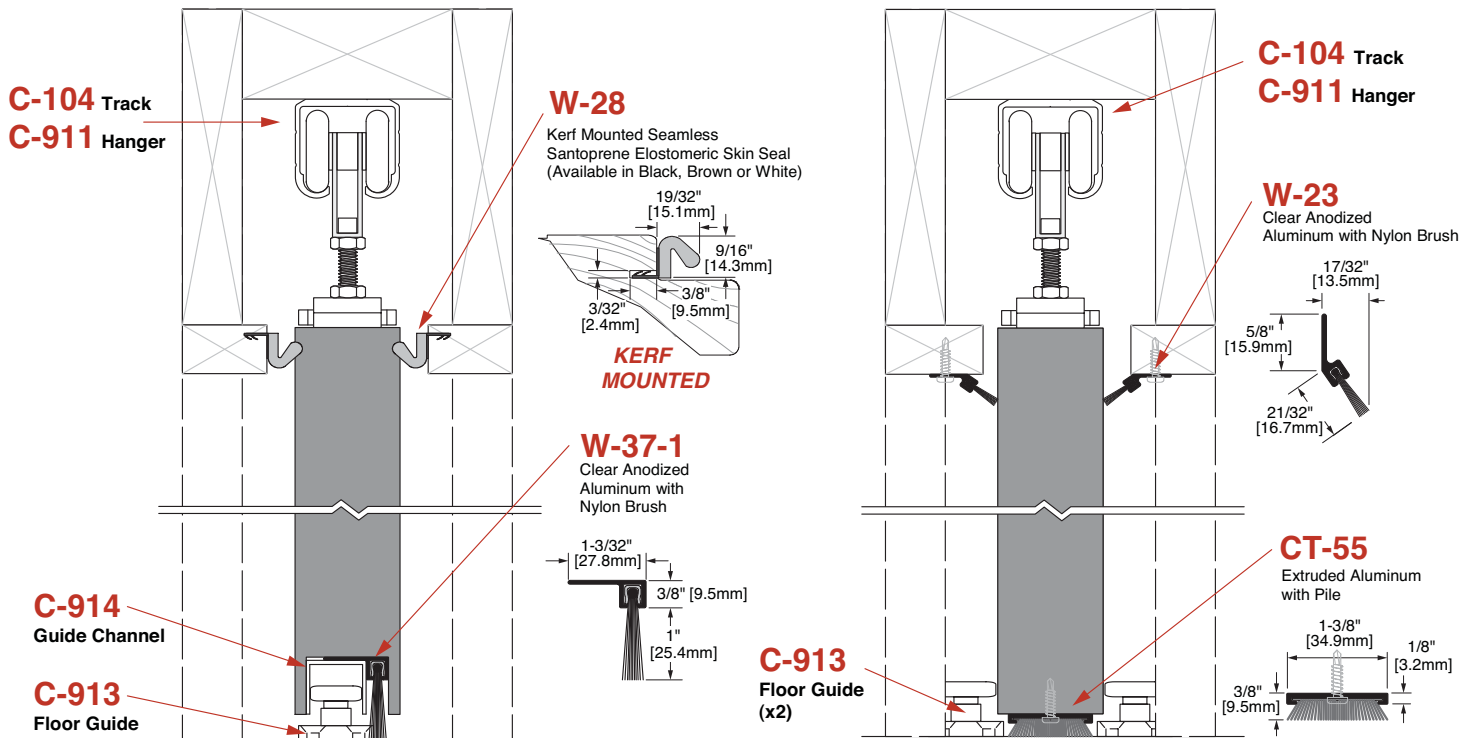
USING KNC WEATHERSTRIPPING PRODUCTS

new

WEATHERSTRIPPING OPTIONS SHOWN ON BIRDS EYE VIEWS



WEATHERSTRIPPING OPTIONS SHOWN IN CROSS SECTION VIEWS



FOR MORE INFORMATION ON KNC WEATHERSTRIPPING PRODUCTS PLEASE VISIT:
www.kncrowder.com/wstripping

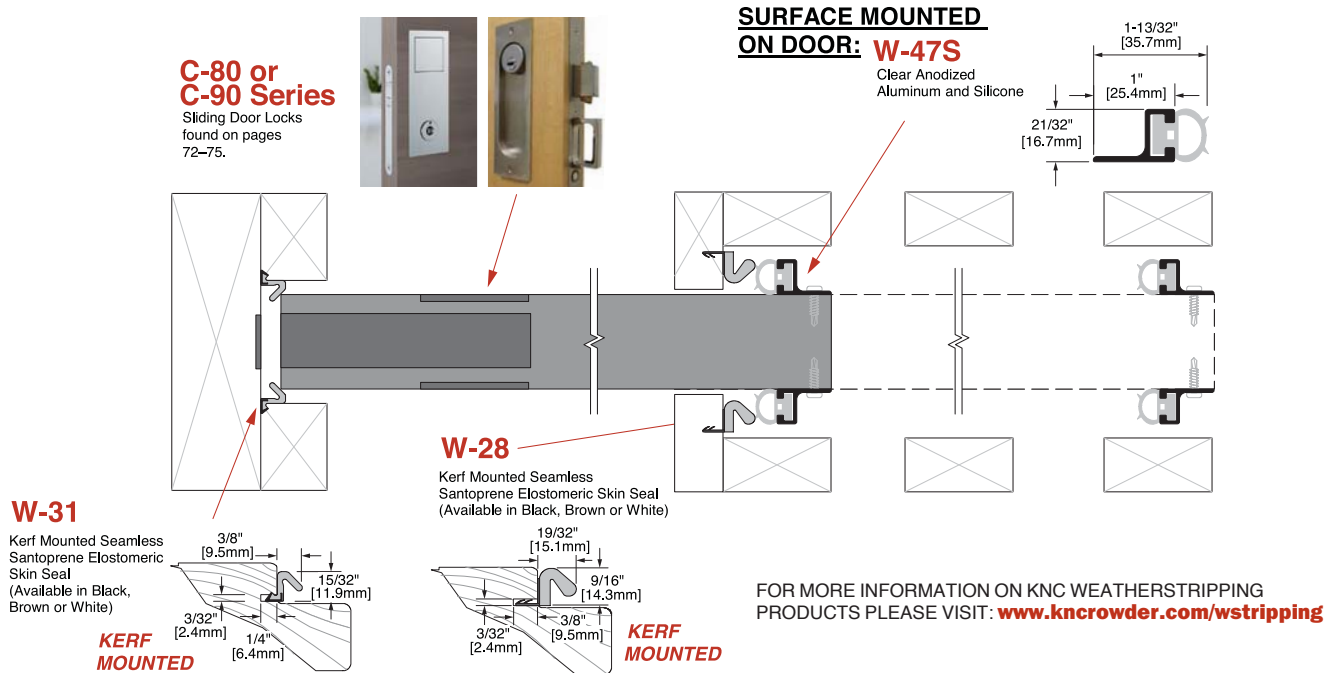
NOTE: POCKET FRAMING, HEADER, AND TRIM WORK BY OTHERS.

LOCKING & LATCHING SOUND SEALING POCKET DOORS

USING KNC WEATHERSTRIPPING PRODUCTS

new

WEATHERSTRIPPING OPTIONS SHOWN ON BIRDS EYE VIEWS

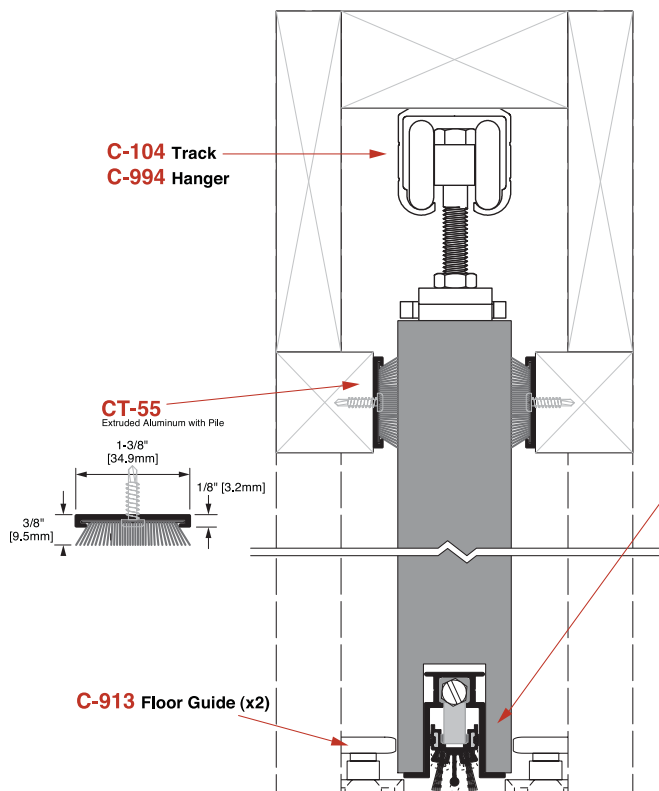


Custom Systems

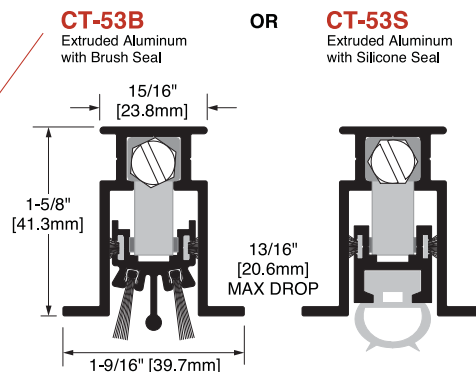
WEATHERSTRIPPING & AUTOMATIC DOOR BOTTOM OPTIONS SHOWN IN CROSS SECTION VIEWS

USING KNC'S AUTOMATIC DOOR BOTTOMS ON SLIDING DOORS

In order to use KNC's Automatic Door Bottom, a sliding door lock must be installed to pull and hold the door shut which in turn will activate the ADB's plunger (see above for details). Two **C-913** Floor Guides will be required (one on each side of the door). For more information on Automatic Door bottoms please visit www.kncrowder.com/autodoor



NOTE: POCKET FRAMING, HEADER, AND TRIM WORK BY OTHERS.



POCKET DOOR KITS

new
& IMPROVED!

CROWDERFRAMES

are the answer where space is limited or where the swinging of a hinged door is undesirable or inconvenient. Enjoy the benefits of hiding the door in a wall for a clean and spacious look! Can be installed in one continuous piece for single or double doors.

- For 1-3/8" [34.9mm] to 1-3/4" [44.5mm] thick doors only.
- Cycle tested precision ball bearings.
- Smooth and silent sliding doors!
- Roll formed steel uprights for less deflection and easy to screw into for drywall fastening!
- Suitable for one door from 2'-0" [610mm] to 3'-0" [914mm] Wide X 6'-8" [2032mm] to 7'-0" [2134mm] High.
- Available for doors up to 96" [2438mm] High!
(Please specify door height when ordering)

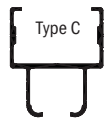


Up to
150 lbs.
per door

CROWDERFRAME TYPE C

TYPE C SECTION AND HEADER WITH **C-411** "SPINWHEEL" QUICK RELEASE HANGER.

- **TYPE C** EXTRUDED ALUMINUM HEADER TRACK, 6061T5 ALLOY

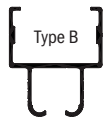


Up to
125 lbs.
per door

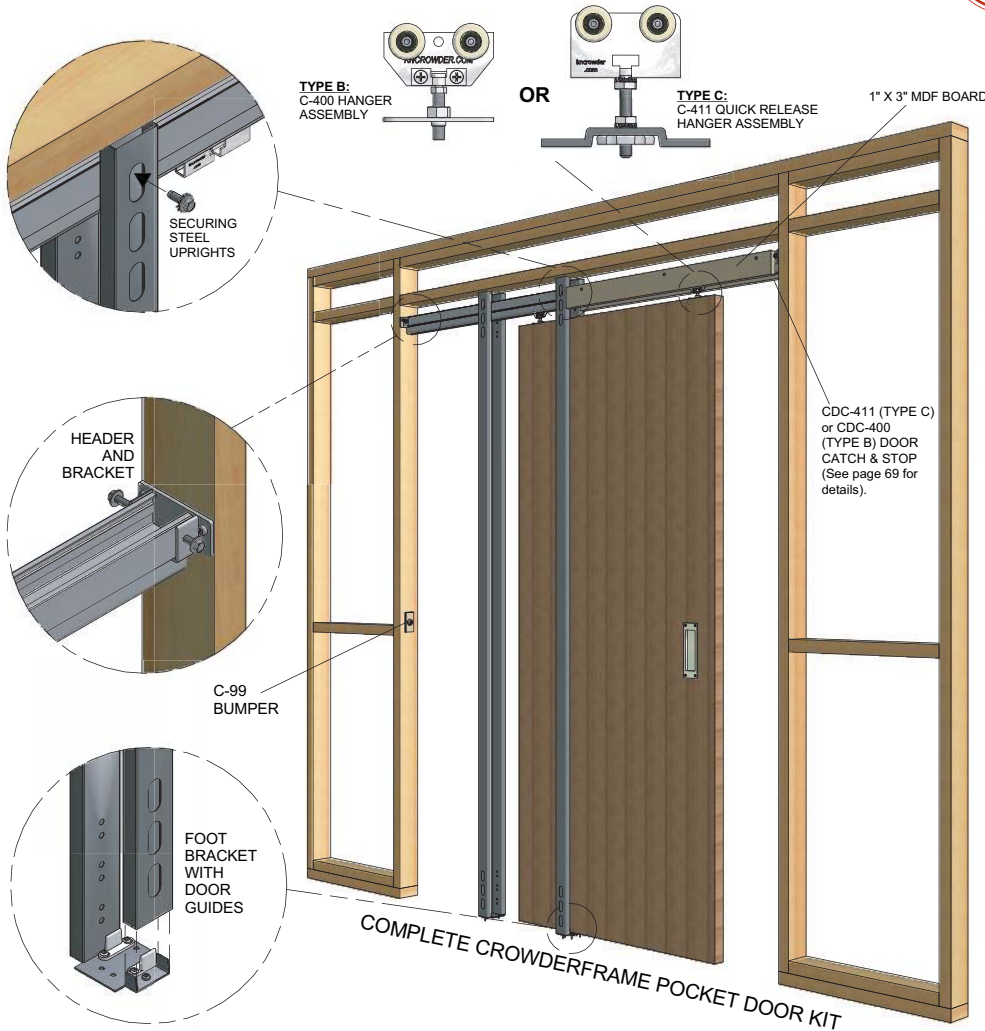
CROWDERFRAME TYPE B

TYPE B SECTION AND HEADER WITH **C400** HANGER

- **TYPE B** EXTRUDED ALUMINUM HEADER TRACK, 6061T5 ALLOY



HOW IT ALL COMES TOGETHER



OPTIONAL PRODUCTS

C-913 Guide with C-914 Guide Channel. (See page 70 for more details).

C-200 Guide with C-201 Guide Channel. (See page 71 for more details).

C-30 Privacy Door Lock & Pull

C-35 Circle Door Lock & Pull

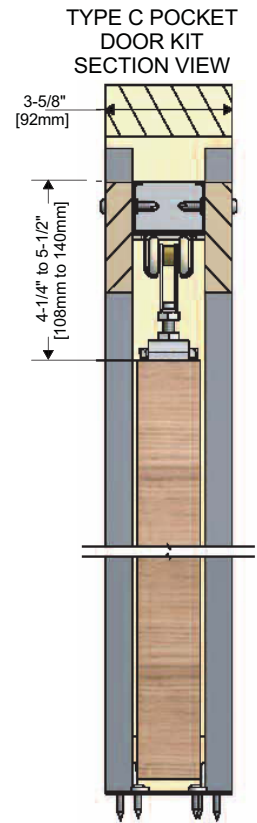
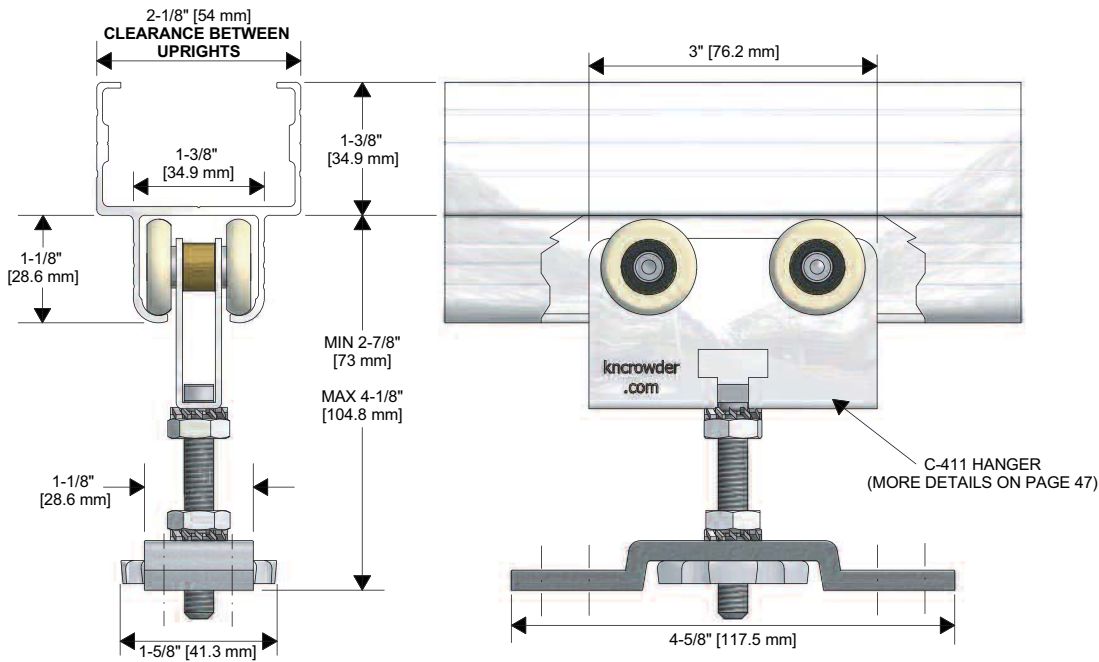
C-23 or C-25 Wood Door Pulls

(SEE PAGE 72 FOR MORE DETAILS)

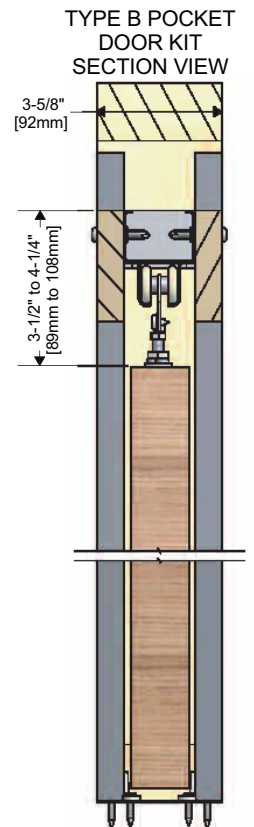
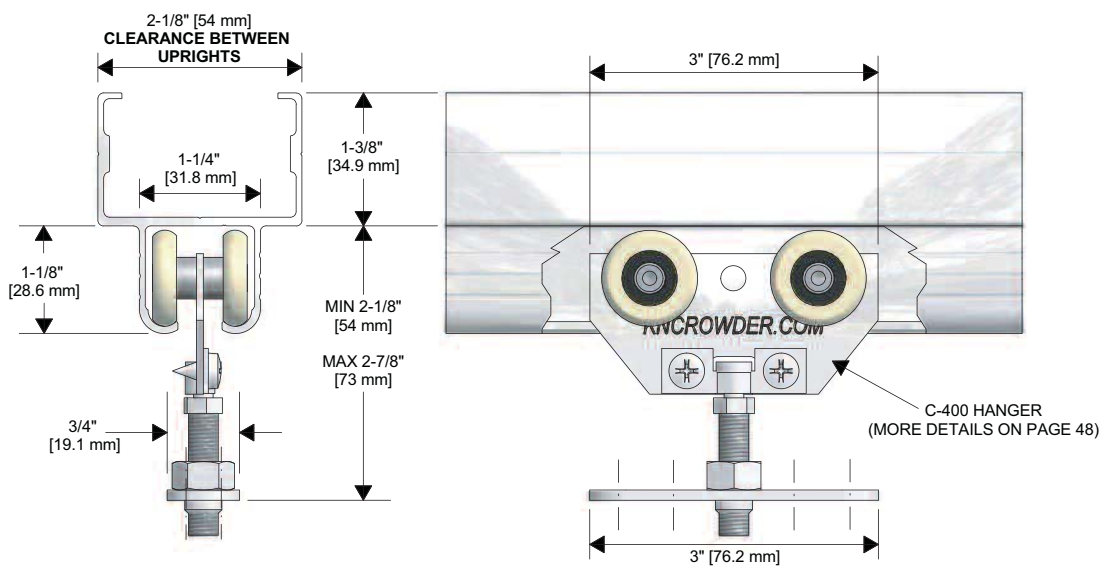
INSTALLATION SUGGESTIONS:

- TO PROVIDE ADDITIONAL RIGIDITY TO POCKET, USE 5/8" DRYWALL.
- USE MAXIMUM 1" DRYWALL SCREWS. (1" FINE THREAD DRYWALL SCREWS ARE SUPPLIED WITH EACH KIT- 25 PER KIT)

CROWDERFRAME TYPE "C" DETAILS



CROWDERFRAME TYPE "B" DETAILS



POCKET DOOR KITS

VARIATIONS

new

CROWDERFRAME "DOUBLE DOOR" KIT

Crowderframe's "Double Door" kit is for when an opening requires two pocket doors to operate as Bi-parting. Includes two complete pocket door kits with one continuous header track. Double Door Kits are available for door sizes: **24"** [610mm] up to **MAX 48"** [1219mm] wide X **80"** [2032mm] up to **MAX 96"** [2438mm] high doors.

Load Capacity:

TYPE C DOUBLE CROWDERFRAME = 150lbs per door
TYPE B DOUBLE CROWDERFRAME = 125lbs per door

NOTE: Using two separate kits for this type of application will not work. The single pocket door kits do not provide a continuous header track which is required for double door systems to work. Please specify door size when ordering.



CROWDERFRAME "EXTRA WIDTH" MODIFICATION KIT

Our Standard Crowderframe Kits (shown on pages 22–23) will accommodate door sizes of **24"** [610mm] – **36"** [914mm] wide X **80"** [2032mm] up to **84"** [2134mm] high. Using our Crowderframe "Extra Width" Modification Kit will allow the installation of doors up to **54"** [1372mm] wide.

For door widths between **37"** [940mm] – **48"** [1219mm], in addition to our standard Type C or B Crowderframe Kit, the following items are included: one header track (pre-cut to suit door size), one Foot Bracket, one 96" [2438mm] x 1" [25.4mm] x 3" [76.2mm] MDF Board, and two Steel Uprights (dependent on door height).

For door widths between **49"** [1245mm] – **54"** [1372mm], in addition to our standard Type C or B Crowderframe Kit, the following items are included: one header track (pre-cut to suit door size), two Foot Brackets, two 72" [1829mm] x 1" [25.4mm] x 3" [76.2mm] MDF Boards, and four Steel Uprights (dependent on door height).

Load Capacity:

TYPE C EXTRA WIDTH CROWDERFRAME = 150lbs per door
TYPE B EXTRA WIDTH CROWDERFRAME = 125lbs per door

NOTE: Please specify door size when ordering.



CROWDERFRAME "2 X 6 SHIM KIT" MODIFICATION KIT

Our Standard Crowderframe Kits (shown on pages 22–23) and the above modification kits are for standard 2" x 4" wall construction. Our Crowderframe "2 x 6 Shim Kit" Modification allows for our standard Type "B" or "C" Crowderframe kits to be used in 2" x 6" wall construction.

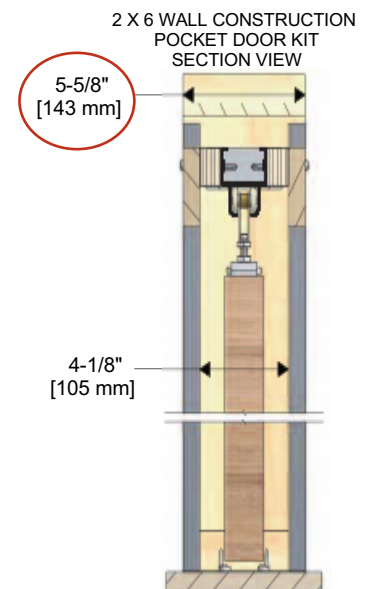
Our Crowderframe "2 x 6 Shim Kit", in addition to our standard Crowderframe kits includes: two 1" [25.4mm] x 1-3/8" [34.9mm] x 96" [2438mm] Plywood Shims for header track, two extra wide foot brackets, and longer screws for fastening uprights to header. This shim kit will provide an overall width from upright to upright of 5-5/8" [143mm].

Shim kit quantities are modified to suit "Double Door" (two shim kits required) and "Extra Width" kits as required.

Load Capacity:

TYPE C CROWDERFRAME with "2 x 6 SHIM KIT" = 150lbs per door
TYPE B CROWDERFRAME with "2 x 6 SHIM KIT" = 125lbs per door

NOTE: Please specify door size when ordering.



SINGLE TRACK SYSTEMS

HEAVY-DUTY

C-995 HANGER

C-204 TRACK

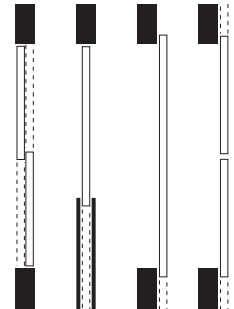
Up to
450lbs
per door



Heavy-duty Steel Hanger with "Spinwheel" adjuster for Single & Bi-Parting, By-Passing, Pocket or Wall Mounted Doors

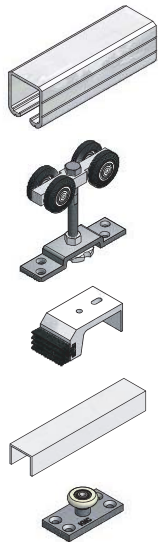
Four Precision Ball Bearing, Steel wheels, machined steel body, complete with 3/8" diameter bolt with 1-1/2" [38.1mm] adjustment range. Large Hex Nut to hold vertical adjustment. Suitable for all types of heavy sliding doors.

- Use with Extruded Aluminum **C-204 Track**, 6061T6 Alloy
- Load Capacity **450 lbs. (two hangers)**



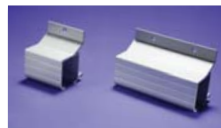
C-995 COMPLETE KIT FOR 1 DOOR

COMPLETE KITS AVAILABLE FOR 24" [610MM] TO 72" [1829MM] WIDE DOORS. FOR BY-PASSING DOOR APPLICATIONS USE TWO COMPLETE KITS.



- 1 - C-204 TRACK
LENGTH: 2 X DOOR WIDTH
(EXAMPLE: 36" [914MM] DOOR = 72" [1829MM] TRACK)
- 2 - C-995 HANGERS
COMPLETE WITH SCREWS
- 2 - C-100HD IN-TRACK STOP COMPLETE WITH SCREWS
- 2 - C-914 GUIDE CHANNEL
LENGTH: EQUAL TO DOOR WIDTH
(EXAMPLE: 36" [914MM] DOOR = 36" [914MM] GUIDE CHANNEL)
- 1 - C-913 FLOOR GUIDE COMPLETE WITH SCREWS

OPTIONAL PRODUCTS



C-205 Side-Mount Bracket/C-203 Side Mount Joiner. (See page 68 for more details).



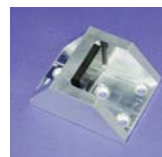
C-90 Door Locks & Pulls Series. (See pages 72-75 for more details).



C-80 Door Locks & Pulls Series. (See pages 72-75 for more details).



CAS-1 or CAS-2 Stops. (See page 69 for more details).

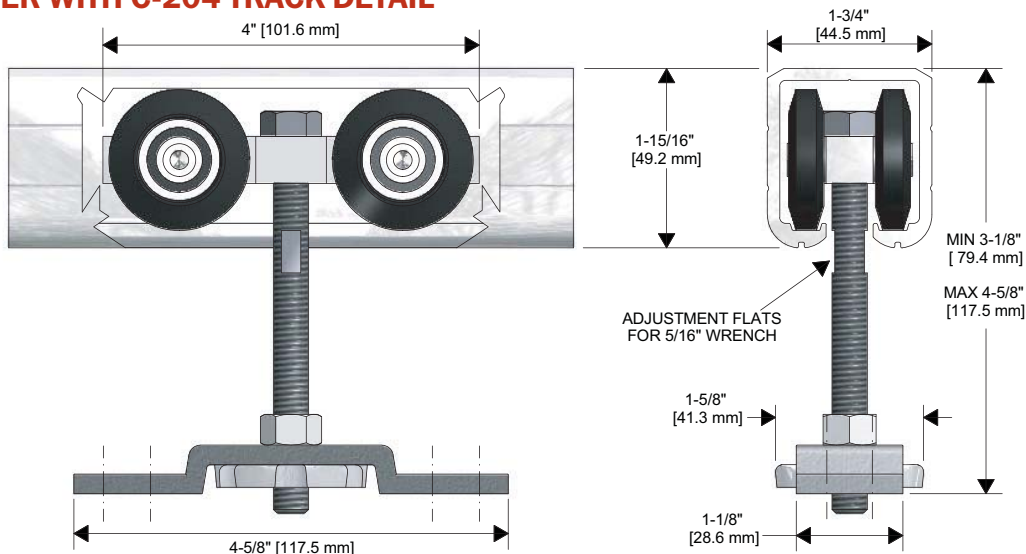


C-102HD Floor Stop. (See page 69 for more details).



Optional Fascias. (See page 67 for more details).

C-995 HANGER WITH C-204 TRACK DETAIL



SINGLE TRACK SYSTEMS

HEAVY-DUTY

C-207-4 OR C-207-8 HANGER

C-204 TRACK

For Single & Bi-Parting, By-Passing, Pocket or Wall Mounted Doors

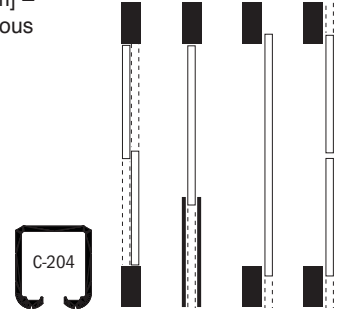
Four Precision Ball Bearings, Steel wheels. Clamp type face mounting – adjustable for thickness of door (1-3/4" [44.5mm] – 2-1/4" [57.2mm]) using shim spacers on main bolt. Continuous Hanger for full door widths also available.

- Use with Extruded Aluminum **C-204 Track**, 6061T6 Alloy

- **C-207-4 Hanger** Four-wheel version
- Load Capacity **500 lbs. (two hangers)**
- **C-207-8 Hanger** Eight-wheel version
- Load Capacity **700 lbs. (two hangers)**

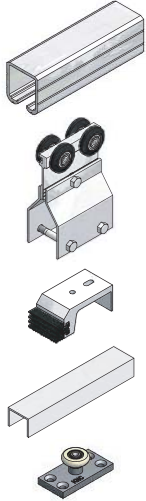
Up to 500 lbs. per door for C-207-4

Up to 700 lbs. per door for C-207-8



C-207-4 OR 207-8 COMPLETE KIT FOR 1 DOOR

COMPLETE KITS AVAILABLE FOR 24" [610MM] TO 72" [1829MM] WIDE DOORS. FOR BY-PASSING DOOR APPLICATIONS USE TWO COMPLETE KITS.



- 1 - C-204 TRACK
LENGTH: 2 X DOOR WIDTH
(EXAMPLE: 36" [914MM] DOOR = 72" [1829MM] TRACK)
- 2 - C-207-4 OR C-207-8 HANGERS
COMPLETE WITH BOLTS, WASHERS & NUTS
- 2 - C-100HD IN-TRACK STOP COMPLETE WITH SCREWS
- 1 - C-914 GUIDE CHANNEL
LENGTH: EQUAL TO DOOR WIDTH
(EXAMPLE: 36" [914MM] DOOR = 36" [914MM] GUIDE CHANNEL)
- 1 - C-913 FLOOR GUIDE COMPLETE WITH SCREWS

OPTIONAL PRODUCTS



C-205 Side-Mount Bracket/C-203 Side Mount Joiner.
(See page 68 for more details).



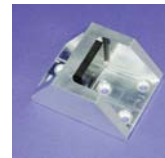
C-90 Door Locks & Pulls Series. (See pages 72-75 for more details).



C-80 Door Locks & Pulls Series. (See pages 72-75 for more details).



CAS-1 or CAS-2 Stops.
(See page 69 for more details).

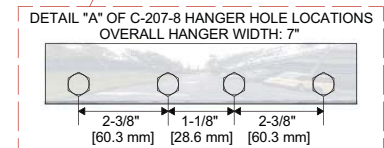
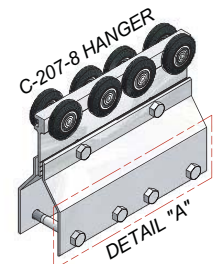
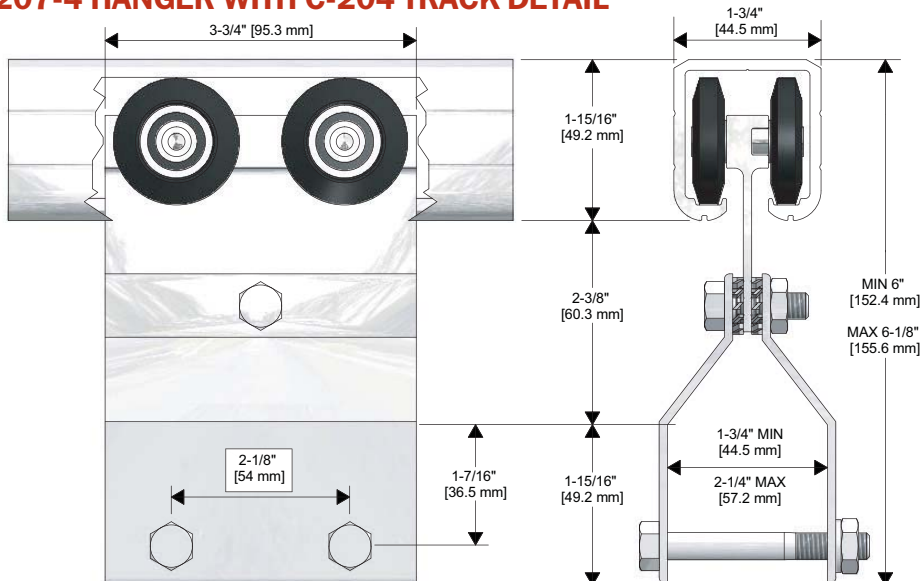


C-102HD Floor Stop. (See page 69 for more details).



Optional Fascias.
(See page 67 for more details).

C-207-4 HANGER WITH C-204 TRACK DETAIL



CONTINUOUS HANGER
Available for any door width

SINGLE TRACK SYSTEMS

HEAVY-DUTY

C-206-4 HANGER

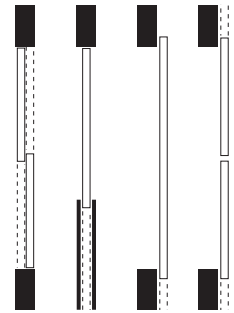
C-204 TRACK

For Single & Bi-Parting, By-Passing, Pocket or Wall Mounted Doors

Top mount only. Four Precision Ball Bearings, Steel wheels. Locknuts hold vertical adjustment. Suitable for all types of heavy sliding doors.

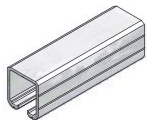
- Use with Extruded Aluminum **C-204 Track**, 6061T6 Alloy
- Load Capacity **225 lbs. (two hangers)**

Up to 225 lbs per door



C-206-4 COMPLETE KIT FOR 1 DOOR

COMPLETE KITS AVAILABLE FOR 24" [610MM] TO 72" [1829MM] WIDE DOORS. FOR BY-PASSING DOOR APPLICATIONS USE TWO COMPLETE KITS.



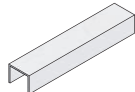
1 - C-204 TRACK LENGTH: 2 X DOOR WIDTH (EXAMPLE: 36" [914MM] DOOR = 72" [1829MM] TRACK)



2 - C-206-4 HANGERS COMPLETE WITH SCREWS



2 - C-100HD IN-TRACK STOP COMPLETE WITH SCREWS



1 - C-914 GUIDE CHANNEL LENGTH: EQUAL TO DOOR WIDTH (EXAMPLE: 36" [914MM] DOOR = 36" [914MM] GUIDE CHANNEL)



1 - C-913 FLOOR GUIDE COMPLETE WITH SCREWS

OPTIONAL PRODUCTS



C-205 Side-Mount Bracket/C-203 Side Mount Joiner. (See page 68 for more details).



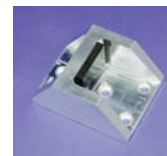
C-90 Door Locks & Pulls Series. (See pages 72-75 for more details).



C-80 Door Locks & Pulls Series. (See pages 72-75 for more details).



CAS-1 or CAS-2 Stops. (See page 69 for more details).

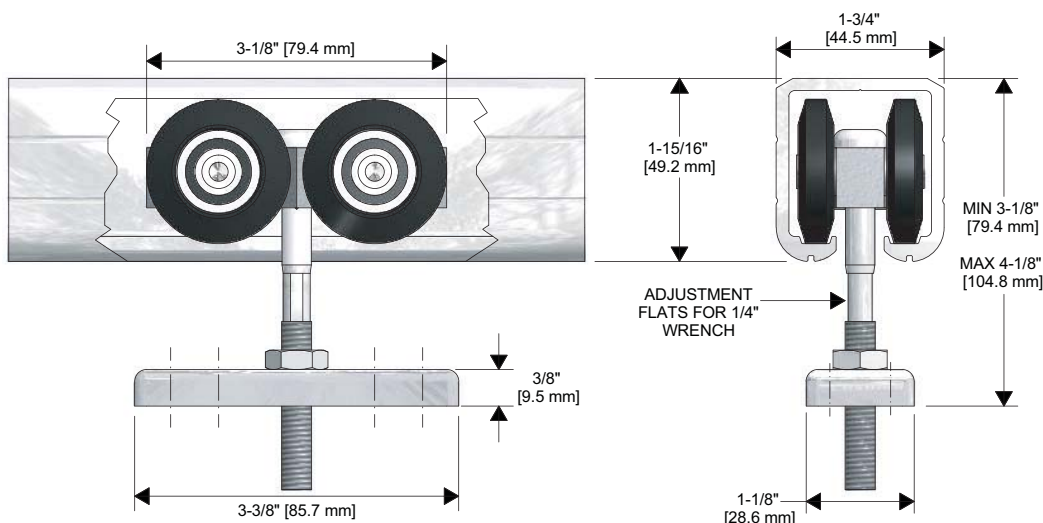


C-102HD Floor Stop. (See page 69 for more details).



Optional Fascias. (See page 67 for more details).

C-206-4 HANGER WITH C-204 TRACK DETAIL



SINGLE TRACK SYSTEMS

HEAVY-DUTY

C-205-4 OR C-205-8 HANGER

C-204 TRACK

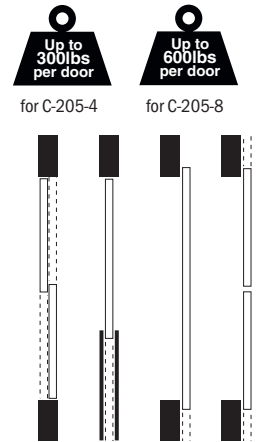
For Single & Bi-Parting, By-Passing, Pocket or Wall Mounted Doors

Four Precision Ball Bearing, Steel wheels. Continuous Hanger for full door widths also available. Kerf door 2" [50.8mm] deep to receive hanger plate allowing minimum head clearance.

- Use with Extruded Aluminum **C-204 Track**, 6061T6 Alloy

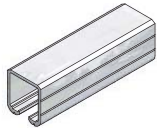
C-205-4 Hanger Four-wheel version
• Load Capacity **300 lbs. (two hangers)**

C-205-8 Hanger Eight-wheel version
• Load Capacity **600 lbs. (two hangers)**



C-205-4 OR C-205-8 COMPLETE KIT FOR 1 DOOR

COMPLETE KITS AVAILABLE FOR 24" [610MM] TO 72" [1829MM] WIDE DOORS. FOR BY-PASSING DOOR APPLICATIONS USE TWO COMPLETE KITS.



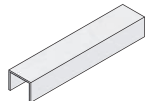
- 1 - C-204 TRACK
LENGTH: 2 X DOOR WIDTH (EXAMPLE: 36" [914MM] DOOR = 72" [1829MM] TRACK)



- 2 - C-205-4 OR C-205-8 HANGERS COMPLETE WITH BOLT(S), WASHER(S), & NUT(S)



- 2 - C-100HD IN-TRACK STOP COMPLETE WITH SCREWS



- 1 - C-914 GUIDE CHANNEL
LENGTH: EQUAL TO DOOR WIDTH (EXAMPLE: 36" [914MM] DOOR = 36" [914MM] GUIDE CHANNEL)



- 1 - C-913 FLOOR GUIDE COMPLETE WITH SCREWS

OPTIONAL PRODUCTS



C-205 Side-Mount Bracket/C-203 Side Mount Joiner. (See page 68 for more details).



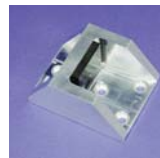
C-90 Door Locks & Pulls Series. (See pages 72-75 for more details).



C-80 Door Locks & Pulls Series. (See pages 72-75 for more details).



CAS-1 or CAS-2 Stops. (See page 69 for more details).

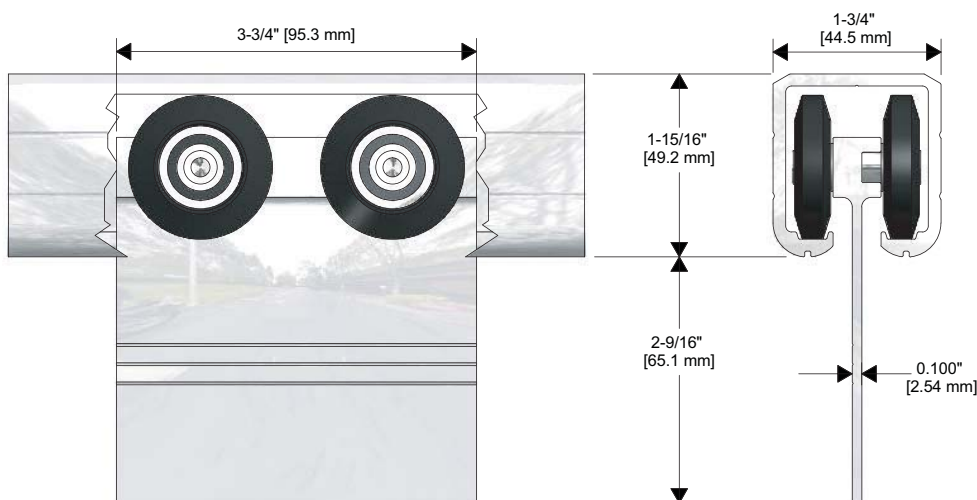


C-102HD Floor Stop. (See page 69 for more details).



Optional Fascias. (See page 67 for more details).

C-205-4 HANGER WITH C-204 TRACK DETAIL



CONTINUOUS HANGER
Available for any door width

SINGLE TRACK SYSTEMS

HEAVY-DUTY

C-203-4 HANGER

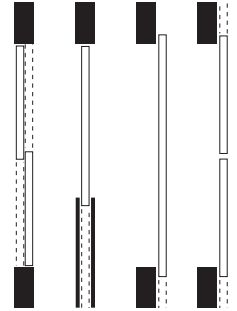
C-204 TRACK

For Single & Bi-Parting, By-Passing, Pocket or Wall Mounted Doors

Designed for top and face mounting to the door. Four Precision Ball Bearing, Steel wheels.

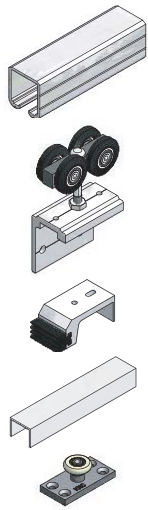
- Provides a secure grip for heavy loads
- Easy vertical adjustment
- Use with Extruded Aluminum **C-204 Track**, 6061T6 Alloy
- Load Capacity **250 lbs. (two hangers)**

Up to 250 lbs. per door



C-203-4 COMPLETE KIT FOR 1 DOOR

COMPLETE KITS AVAILABLE FOR 24" [610MM] TO 72" [1829MM] WIDE DOORS. FOR BY-PASSING DOOR APPLICATIONS USE TWO COMPLETE KITS.



- 1 - C-204 TRACK
LENGTH: 2 X DOOR WIDTH
(EXAMPLE: 36" [914MM] DOOR = 72" [1829MM] TRACK)
- 2 - C-203-4 HANGERS
COMPLETE WITH SCREWS, BOLTS, WASHERS & NUTS
- 2 - C-100HD IN-TRACK STOP COMPLETE WITH SCREWS
- 1 - C-914 GUIDE CHANNEL
LENGTH: EQUAL TO DOOR WIDTH
(EXAMPLE: 36" [914MM] DOOR = 36" [914MM] GUIDE CHANNEL)
- 1 - C-913 FLOOR GUIDE COMPLETE WITH SCREWS

OPTIONAL PRODUCTS



C-205 Side-Mount Bracket/C-203 Side Mount Joiner. (See page 68 for more details).



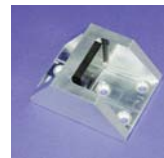
C-90 Door Locks & Pulls Series. (See pages 72-75 for more details).



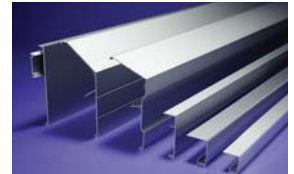
C-80 Door Locks & Pulls Series. (See pages 72-75 for more details).



CAS-1 or CAS-2 Stops. (See page 69 for more details).

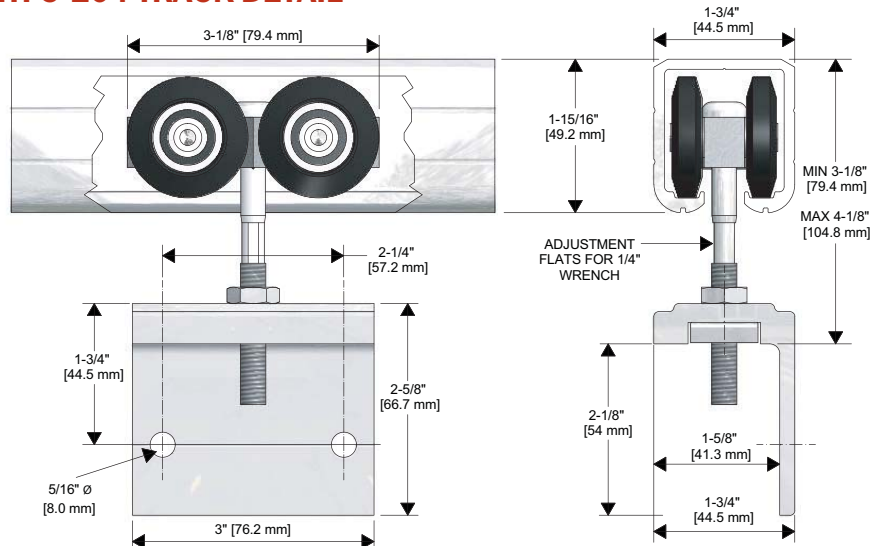


C-102HD Floor Stop. (See page 69 for more details).



Optional Fascias. (See page 67 for more details).

C-203-4 HANGER WITH C-204 TRACK DETAIL



SINGLE TRACK SYSTEMS

MEDIUM TO HEAVY-DUTY

C-994 HANGER

C-104 TRACK

“Spinwheel” Hanger
For Single & Bi-Parting, By-Passing, Pocket or Wall Mounted Doors

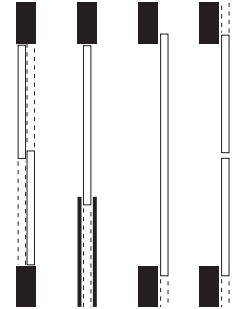
Steel hanger with “Spinwheel” adjuster. Four precision ball bearing, nylon tire wheels on solid, machined steel body. Complete with 3/8” diameter bolt with 1-1/2” [38.1mm] adjustment range.

- Use with Extruded Aluminum **C-104 Track**, 6063T5 Alloy
- Load Capacity **350 lbs. (two hangers)**

Up to
350 lbs.
per door

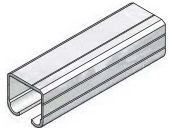


*We specialize in
Curved Track applications.
See page 7 for details.*

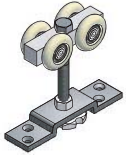


C-994 COMPLETE KIT FOR 1 DOOR

COMPLETE KITS AVAILABLE FOR 24” [610MM] TO 72” [1829MM] WIDE DOORS. FOR BY-PASSING DOOR APPLICATIONS USE TWO COMPLETE KITS.



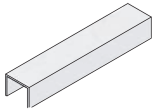
- 1 - C-104 TRACK
LENGTH: 2 X DOOR WIDTH (EXAMPLE: 36” [914MM] DOOR = 72” [1829MM] TRACK)



- 2 - C-994 HANGERS
COMPLETE WITH SCREWS



- 2 - C-100HD IN-TRACK STOP COMPLETE WITH SCREWS

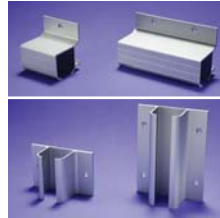


- 1 - C-914 GUIDE CHANNEL
LENGTH: EQUAL TO DOOR WIDTH (EXAMPLE: 36” [914MM] DOOR = 36” [914MM] GUIDE CHANNEL)



- 1 - C-913 FLOOR GUIDE COMPLETE WITH SCREWS

OPTIONAL PRODUCTS



C-402 Side-Mount Bracket/
C-403 Side-Mount Joiner or
C-406/ C-407 Top Mount
Bracket. (See page 68 for
more details).



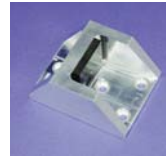
C-90 Door Locks & Pulls
Series. (See pages
72–75 for more details).



C-80 Door Locks & Pulls
Series. (See pages
72–75 for more details).



CAS-1 or CAS-2 Stops.
(See page 69 for more details).

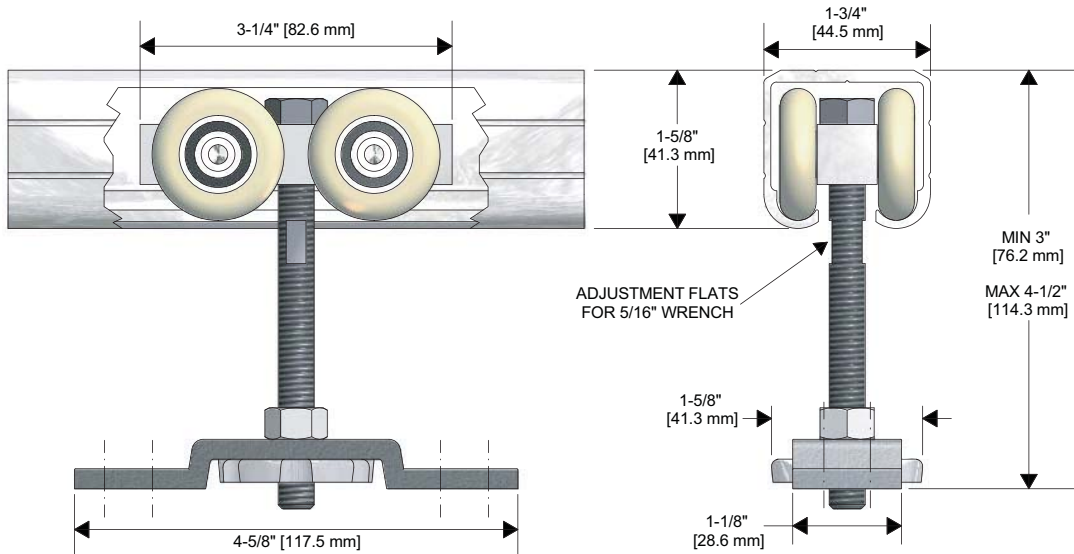


C-102HD Floor
Stop. (See page 69
for more details).



Optional Fascias.
(See page 67 for more details).

C-994 HANGER WITH C-104 TRACK DETAIL



SINGLE TRACK SYSTEMS

MEDIUM TO HEAVY-DUTY

new

C-993 EASY CONNECT HANGER C-104 TRACK

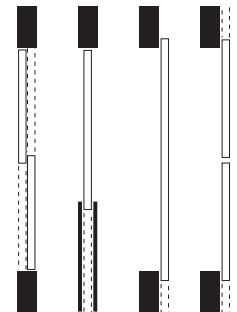


For Single & Bi-Parting, By-Passing, Pocket or Wall Mounted Doors

Four precision ball bearing, nylon tire wheels on solid, machined steel body. The **C-993 Easy Connect Hanger** has a quick disconnect stud which allows hanger body and stud to be inserted into the track while mounting. The top plate is mounted to the top of door and accepts the quick disconnect stud, therefore reducing installation time.

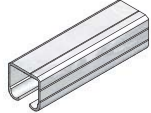
- Use with Extruded Aluminum **C-104 Track**, 6063T5 Alloy
- Load Capacity **250 lbs. (two hangers)**

Up to
250 lbs.
per door



C-993 COMPLETE KIT FOR 1 DOOR

COMPLETE KITS AVAILABLE FOR 24" [610MM] TO 72" [1829MM] WIDE DOORS. FOR BY-PASSING DOOR APPLICATIONS USE TWO COMPLETE KITS.



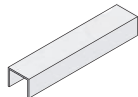
- 1 - C-104 TRACK
LENGTH: 2 X DOOR WIDTH (EXAMPLE: 36" [914MM] DOOR = 72" [1829MM] TRACK)



- 2 - C-993 HANGERS
COMPLETE WITH SCREWS & ADJUSTMENT ROD



- 2 - C-100HD IN-TRACK STOP COMPLETE WITH SCREWS

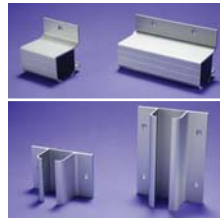


- 1 - C-914 GUIDE CHANNEL
LENGTH: EQUAL TO DOOR WIDTH (EXAMPLE: 36" [914MM] DOOR = 36" [914MM] GUIDE CHANNEL)



- 1 - C-913 FLOOR GUIDE COMPLETE WITH SCREWS

OPTIONAL PRODUCTS



C-402 Side-Mount Bracket/ C-403 Side-Mount Joiner or C-406/C-407 Top Mount Bracket. (See page 68 for more details).



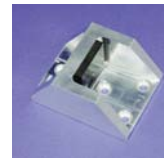
C-90 Door Locks & Pulls Series. (See pages 72-75 for more details).



C-80 Door Locks & Pulls Series. (See pages 72-75 for more details).



CAS-1 or CAS-2 Stops. (See page 69 for more details).

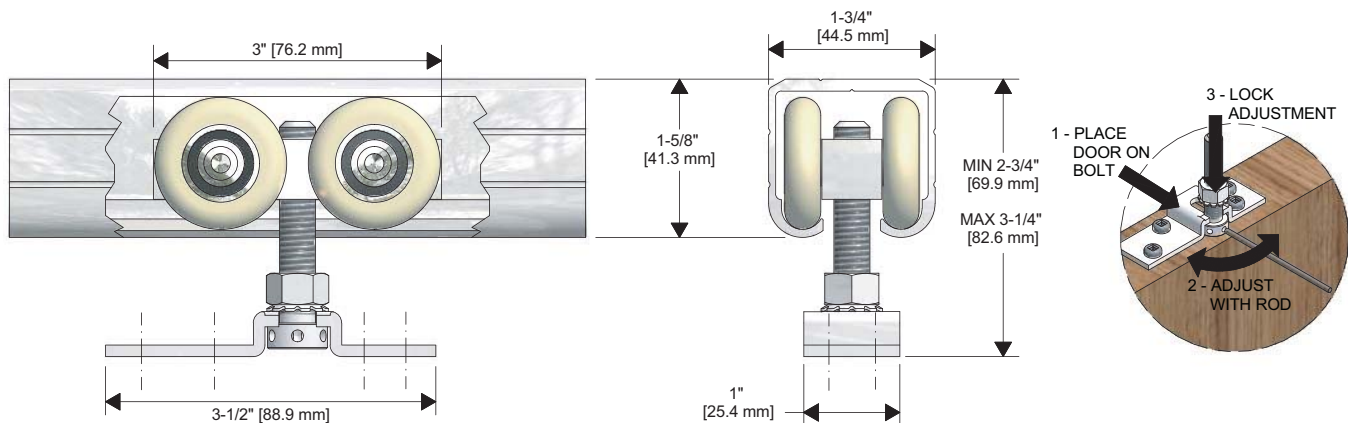


C-102HD Floor Stop. (See page 69 for more details).



Optional Fascias. (See page 67 for more details).

C-993 HANGER WITH C-104 TRACK DETAILS



SINGLE TRACK SYSTEMS

MEDIUM TO HEAVY-DUTY

C-911 QUICK RELEASE HANGER C-104 TRACK

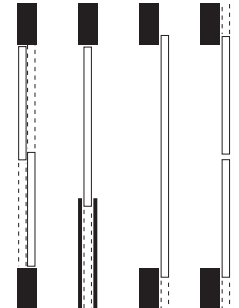
Up to
200 lbs.
per door



**Quick Release "Spinwheel" Hanger
For Single & Bi-Parting, By-Passing, Pocket
or Wall Mounted Doors**

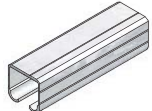
An essential safety feature for **Nursing Homes and Hospitals**. The Quick Release Hanger with four Precision ball bearing, nylon tire wheels, allows for fast and easy door removal from the outside (eg: when a patient in distress in a washroom requires immediate assistance). Levelling and height adjustment can be accomplished by one person during door installation. Minimum clearance of 1/2" [12.7mm] required between door and fascia to permit disengagement.

- Use with Extruded Aluminum **C-104 Track**, 6063T5 Alloy
- Load Capacity **200 lbs. (two hangers)**

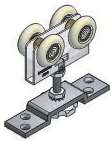


C-911 COMPLETE KIT FOR 1 DOOR

COMPLETE KITS AVAILABLE FOR 24" [610MM] TO 72" [1829MM] WIDE DOORS. FOR BY-PASSING DOOR APPLICATIONS USE TWO COMPLETE KITS.



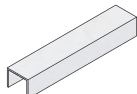
- 1 - C-104 TRACK
LENGTH: 2 X DOOR WIDTH (EXAMPLE: 36" [914MM] DOOR = 72" [1829MM] TRACK)



- 2 - C-911 HANGERS
COMPLETE WITH SCREWS



- 2 - CDC-911 DOOR STOP & CATCH COMPLETE WITH SCREWS.

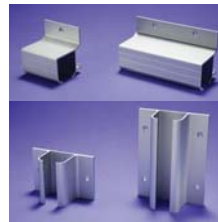


- 1 - C-914 GUIDE CHANNEL
LENGTH: EQUAL TO DOOR WIDTH (EXAMPLE: 36" [914MM] DOOR = 36" [914MM] GUIDE CHANNEL)



- 1 - C-913 FLOOR GUIDE COMPLETE WITH SCREWS

OPTIONAL PRODUCTS



C-402 Side-Mount Bracket/
C-403 Side-Mount Joiner or
C-406/C-407 Top Mount Bracket.
(See page 68 for more details).



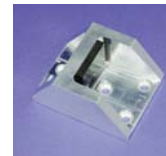
C-90 Door Locks & Pulls
Series. (See pages
72-75 for more details).



C-80 Door Locks & Pulls
Series. (See pages
72-75 for more details).



CAS-1 or CAS-2 Stops.
(See page 69 for more
details).

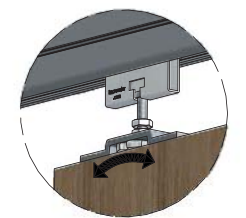
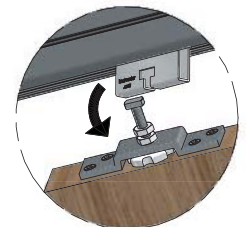
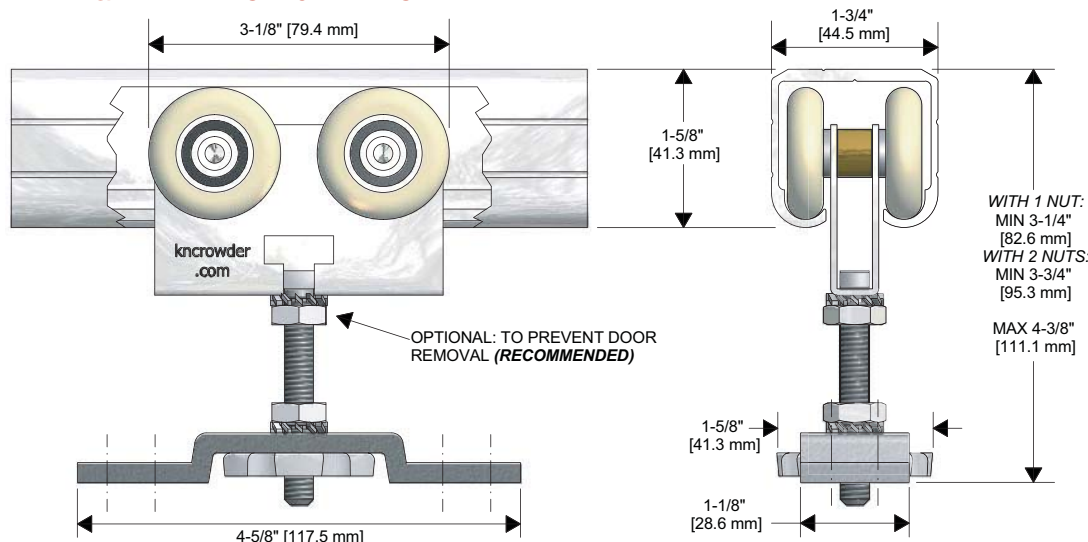


C-102HD Floor
Stop. (See page 69
for more details).



Optional Fascias.
(See page 67 for more details).

C-911 HANGER WITH C-104 TRACK DETAIL



SINGLE TRACK SYSTEMS

MEDIUM TO HEAVY-DUTY

new

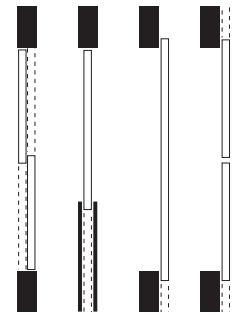
C-810 ZERO CLEARANCE HANGER C-104 TRACK



For Single & Bi-Parting, By-Passing, Pocket or Wall Mounted Doors

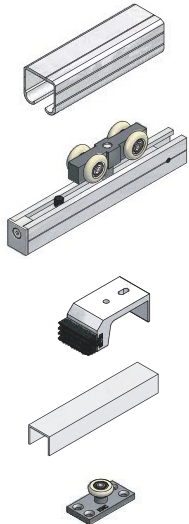
ZERO CLEARANCE HANGER carriage assembly is machined steel allowing a load capacity for heavy doors up to 300lbs. This system allows for a minimal clearance of 3/16" [4.8mm] between the door and underside of the track which also reduces light and sound entry. It will also allow minimal costs on materials and time when hiding the track and hanger in a bulk head. Constructed using four precision ball bearing, nylon tire wheels on a solid, machined steel body, comes complete with an adjusting wrench and Allen key for easy adjustment in the field.

- Use with Extruded Aluminum **C-104 Track**, 6063T5 Alloy
- Load Capacity **300 lbs. (two hangers)**



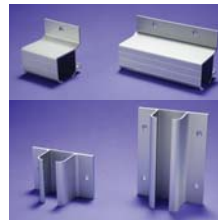
C-810 COMPLETE KIT FOR 1 DOOR

COMPLETE KITS AVAILABLE FOR 24" [610MM] TO 72" [1829MM] WIDE DOORS. FOR BY-PASSING DOOR APPLICATIONS USE TWO COMPLETE KITS.



- 1 - C-104 TRACK
LENGTH: 2 X DOOR WIDTH (EXAMPLE: 36" [914MM] DOOR = 72" [1829MM] TRACK)
- 2 - C-810 HANGERS
COMPLETE WITH SCREWS
- 2 - C-100HD IN-TRACK STOP COMPLETE WITH SCREWS
- 1 - C-914 GUIDE CHANNEL
LENGTH: EQUAL TO DOOR WIDTH (EXAMPLE: 36" [914MM] DOOR = 36" [914MM] GUIDE CHANNEL)
- 1 - C-913 FLOOR GUIDE COMPLETE WITH SCREWS

OPTIONAL PRODUCTS



C-402 Side-Mount Bracket/
C-403 Side-Mount Joiner or
C-406/C-407 Top Mount Bracket.
(See page 68 for more details).



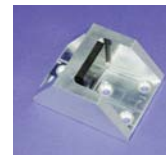
C-90 Door Locks & Pulls
Series. (See pages
72-75 for more details).



C-80 Door Locks & Pulls
Series. (See pages
72-75 for more details).



CAS-1 or CAS-2 Stops.
(See page 69 for more details).

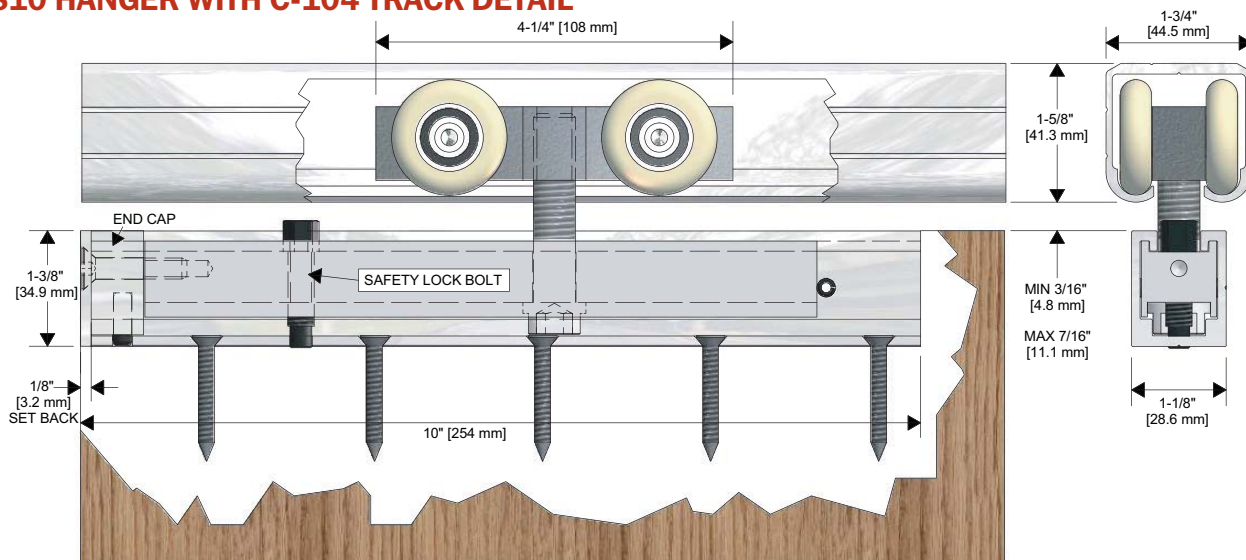


C-102HD Floor
Stop. (See page 69
for more details).



Optional Fascias.
(See page 67 for more details).

C-810 HANGER WITH C-104 TRACK DETAIL



SINGLE TRACK SYSTEMS

MEDIUM TO HEAVY-DUTY

C-107-4 OR C-107-8 HANGER C-104 TRACK

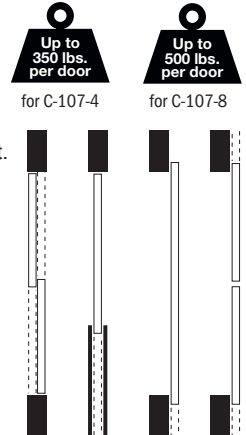
For Single & Bi-Parting, By-Passing, Pocket or Wall Mounted Doors

Four precision ball bearing, nylon tire wheels per hanger. Clamp type face mounting – adjustable for thickness of door (1-3/4" [44.5mm] – 2-1/4" [57.2mm]) by means of shim spacers on main bolt.

- Continuous Hanger for full door widths also available.
- Use with Extruded Aluminum **C-104 Track**, 6063T5 Alloy

C-107-4 Hanger Four-wheel version
• Load Capacity **350 lbs. (two hangers)**

C-107-8 Hanger Eight-wheel version
• Load Capacity **500 lbs. (two hangers)**



C-107-4 OR C107-8 COMPLETE KIT FOR 1 DOOR

COMPLETE KITS AVAILABLE FOR 24" [610MM] TO 72" [1829MM] WIDE DOORS. FOR BY-PASSING DOOR APPLICATIONS USE TWO COMPLETE KITS.

- 1 - C-104 TRACK
LENGTH: 2 X DOOR WIDTH (EXAMPLE: 36" [914MM] DOOR = 72" [1829MM] TRACK)
- 2 - C-107-4 OR C-107-8 HANGERS
COMPLETE WITH BOLTS, WASHERS & NUTS
- 2 - C-100HD IN-TRACK STOP COMPLETE WITH SCREWS
- 1 - C-914 GUIDE CHANNEL
LENGTH: EQUAL TO DOOR WIDTH (EXAMPLE: 36" [914MM] DOOR = 36" [914MM] GUIDE CHANNEL)
- 1 - C-913 FLOOR GUIDE COMPLETE WITH SCREWS

OPTIONAL PRODUCTS

C-402 Side-Mount Bracket/C-403 Side-Mount Joiner or C-406/C-407 Top Mount Bracket. (See page 68 for more details).

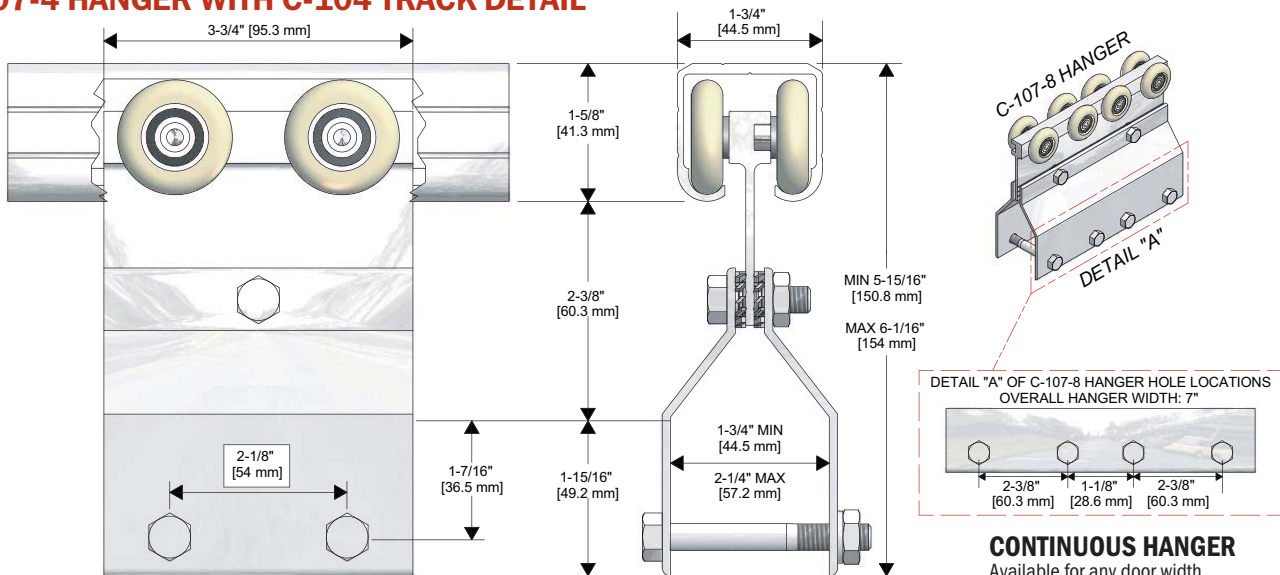
C-90 Door Locks & Pulls Series. (See pages 72-75 for more details).

C-80 Door Locks & Pulls Series. (See pages 72-75 for more details).

C-102HD Floor Stop. (See page 69 for more details).

Optional Fascias. (See page 67 for more details).

C-107-4 HANGER WITH C-104 TRACK DETAIL



CONTINUOUS HANGER
Available for any door width

SINGLE TRACK SYSTEMS

MEDIUM TO HEAVY-DUTY

C-106-4 HANGER

C-104 TRACK

For Single & Bi-Parting, By-Passing, Pocket or Wall Mounted Doors

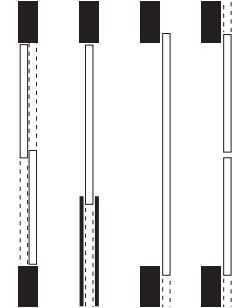
Four precision ball bearing, nylon tire wheels per hanger. Locknuts hold vertical adjustment. Suitable for all types of heavy sliding doors.

- Use with Extruded Aluminum **C-104 Track**, 6063T5 Alloy
- Load Capacity **175 lbs. (two hangers)**

Up to 175 lbs. per door

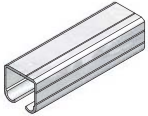


We specialize in Curved Track applications. See page 7 for details.

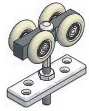


C-106-4 COMPLETE KIT FOR 1 DOOR

COMPLETE KITS AVAILABLE FOR 24" [610MM] TO 72" [1829MM] WIDE DOORS. FOR BY-PASSING DOOR APPLICATIONS USE TWO COMPLETE KITS.



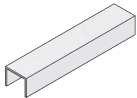
- 1 - C-104 TRACK
LENGTH: 2 X DOOR WIDTH (EXAMPLE: 36" [914MM] DOOR = 72" [1829MM] TRACK)CK



- 2 - C-106-4 HANGERS
COMPLETE WITH SCREWS



- 2 - C-100HD IN-TRACK STOP COMPLETE WITH SCREWS

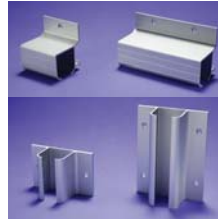


- 1 - C-914 GUIDE CHANNEL
LENGTH: EQUAL TO DOOR WIDTH (EXAMPLE: 36" [914MM] DOOR = 36" [914MM] GUIDE CHANNEL)



- 1 - C-913 FLOOR GUIDE COMPLETE WITH SCREWS

OPTIONAL PRODUCTS



C-402 Side-Mount Bracket/
C-403 Side-Mount Joiner or
C-406/C-407 Top Mount Bracket.
(See page 68 for more details).



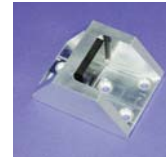
C-90 Door Locks & Pulls
Series. (See pages
72-75 for more details).



C-80 Door Locks & Pulls
Series. (See pages
72-75 for more details).



CAS-1 or CAS-2 Stops.
(See page 69 for more
details).

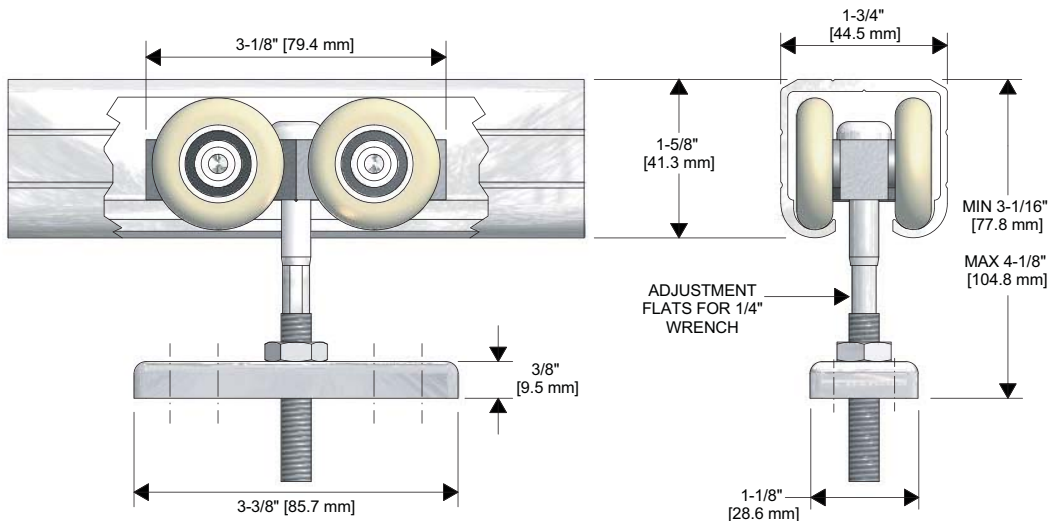


C-102HD Floor
Stop. (See page 69
for more details).



Optional Fascias.
(See page 67 for more details).

C-106-4 HANGER WITH C-104 TRACK DETAIL



SINGLE TRACK SYSTEMS

MEDIUM TO HEAVY-DUTY

C-105-4 OR C-105-8 HANGER

C-104 TRACK

For Single & Bi-Parting, By-Passing, Pocket or Wall Mounted Doors

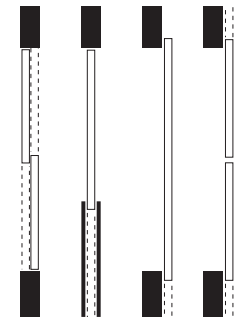
Four precision ball bearing, nylon tire wheels per hanger. Kerf door 2" [50.8mm] deep to receive hanger plate allowing minimum head clearance.

- Continuous Hanger for full door widths also available.
- Extruded Aluminum **C-104 Track**, 6063T5 Alloy

- **C-105-4 Hanger** Four-wheel version
- Load Capacity **200 lbs. (two hangers)**
- **C-105-8 Hanger** Eight-wheel version
- Load Capacity **400 lbs. (two hangers)**

Up to 200 lbs. per door
for C-105-4

Up to 400 lbs. per door
for C-105-8

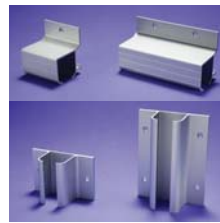


C-105-4 OR C105-8 COMPLETE KIT FOR 1 DOOR

COMPLETE KITS AVAILABLE FOR 24" [610MM] TO 72" [1829MM] WIDE DOORS. FOR BY-PASSING DOOR APPLICATIONS USE TWO COMPLETE KITS.

- 1 - C-104 TRACK
LENGTH: 2 X DOOR WIDTH (EXAMPLE: 36" [914MM] DOOR = 72" [1829MM] TRACK)
- 2 - C-105-4 OR C-105-8 HANGERS
COMPLETE WITH BOLT(S), WASHER(S) & NUT(S)
- 2 - C-100HD IN-TRACK STOP COMPLETE WITH SCREWS
- 1 - C-914 GUIDE CHANNEL
LENGTH: EQUAL TO DOOR WIDTH (EXAMPLE: 36" [914MM] DOOR = 36" [914MM] GUIDE CHANNEL)
- 1 - C-913 FLOOR GUIDE COMPLETE WITH SCREWS

OPTIONAL PRODUCTS



C-402 Side-Mount Bracket/
C-403 Side-Mount Joiner or
C-406/C-407 Top Mount Bracket.
(See page 68 for more details).



C-90 Door Locks & Pulls
Series. (See pages
72-75 for more details).



C-80 Door Locks & Pulls
Series. (See pages
72-75 for more details).



CAS-1 or CAS-2 Stops.
(See page 69 for more details).

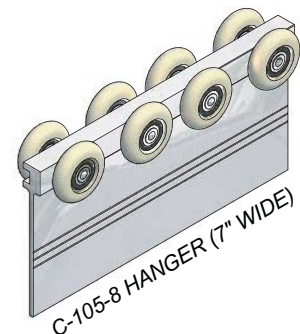
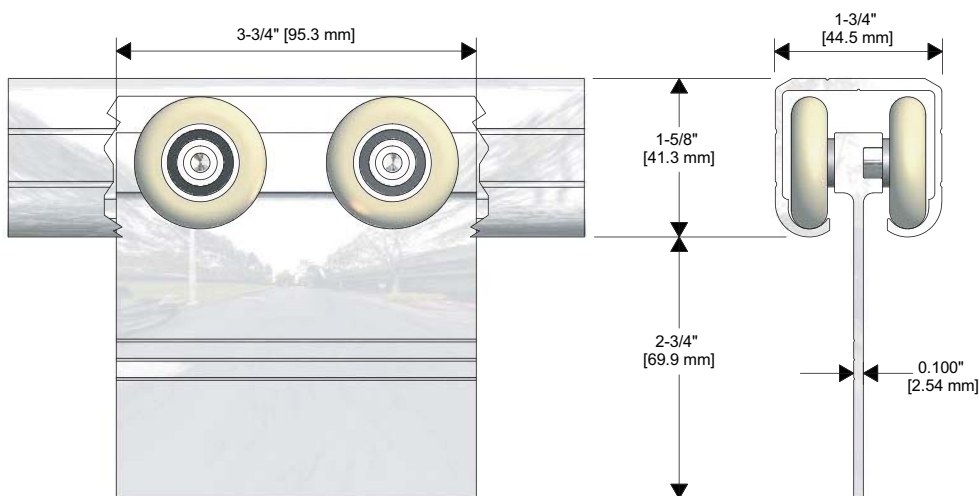


C-102HD Floor
Stop. (See page 69
for more details).



Optional Fascias.
(See page 67 for more details).

C-105-4 HANGER WITH C-104 TRACK DETAIL



CONTINUOUS HANGER
Available for any door width

SINGLE TRACK SYSTEMS

MEDIUM TO HEAVY-DUTY

C-103-4 HANGER

C-104 TRACK

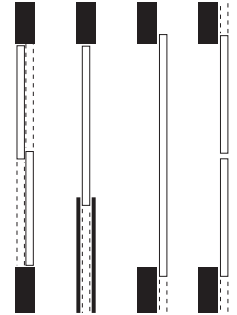
Up to
200 lbs.
per door



For Single & Bi-Parting, By-Passing, Pocket or Wall Mounted Doors

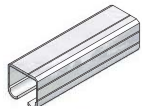
Four precision ball bearing, nylon tire wheels per hanger. Designed for top and face mounting to the door. Provides a secure grip for heavy loads.

- Use with Extruded Aluminum Track **C-104 Track**, 6063T5 Alloy
- Load Capacity **200 lbs. (two hangers)**

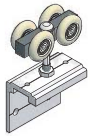


C-103-4 COMPLETE KIT FOR 1 DOOR

COMPLETE KITS AVAILABLE FOR 24" [610MM] TO 72" [1829MM] WIDE DOORS. FOR BY-PASSING DOOR APPLICATIONS USE TWO COMPLETE KITS.



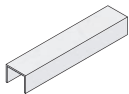
- 1 - C-104 TRACK
LENGTH: 2 X DOOR WIDTH (EXAMPLE: 36" [914MM] DOOR = 72" [1829MM] TRACK)



- 2 - C-103-4 HANGERS
COMPLETE WITH SCREWS, BOLTS, WASHERS & NUTS



- 2 - C-100HD IN-TRACK STOP COMPLETE WITH SCREWS

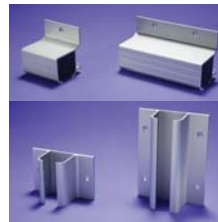


- 1 - C-914 GUIDE CHANNEL
LENGTH: EQUAL TO DOOR WIDTH (EXAMPLE: 36" [914MM] DOOR = 36" [914MM] GUIDE CHANNEL)



- 1 - C-913 FLOOR GUIDE COMPLETE WITH SCREWS

OPTIONAL PRODUCTS



C-402 Side-Mount Bracket/C-403 Side-Mount Joiner or C-406/C-407 Top Mount Bracket. (See page 68 for more details).



C-90 Door Locks & Pulls Series. (See pages 72-75 for more details).



C-80 Door Locks & Pulls Series. (See pages 72-75 for more details).



CAS-1 or CAS-2 Stops. (See page 69 for more details).

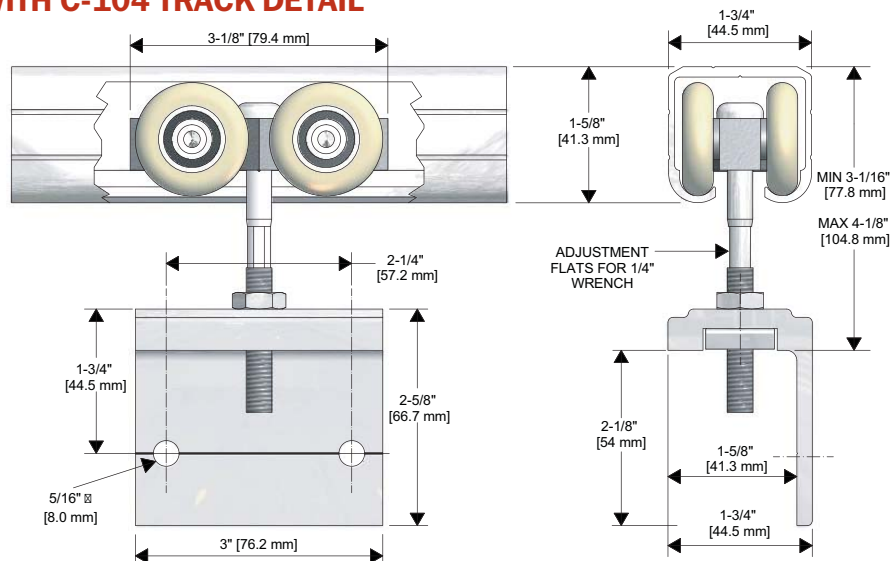


C-102HD Floor Stop. (See page 69 for more details).



Optional Fascias. (See page 67 for more details).

C-103-4 HANGER WITH C-104 TRACK DETAIL



SINGLE TRACK SYSTEMS

MEDIUM TO HEAVY-DUTY (BARN STYLE)

C-994 HANGER C-108 SIDE-MOUNT TRACK

Steel Hanger with "Spinwheel" adjuster For Single or Bi-Parting Wall Mounted Doors.

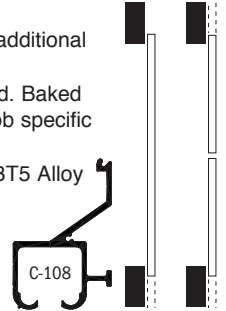
Hanger is constructed using four precision ball bearing, nylon tire wheels on solid, machined steel body. Complete with 3/8" diameter bolt with 1-1/2" [38.1mm] adjustment range.

C-108 Side-Mount Track, all-in-one track that eliminates the need for additional hardware or millwork for wall mount sliding door conditions.

- Available in Mill Finish, Clear or Bronze Anodized. Baked on Enamel Finishes are also available to meet job specific requirements.
- Use with Extruded Aluminum **C-108 Track**, 6063T5 Alloy
- Load Capacity **350 lbs. (two hangers)**

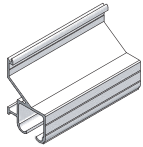


We specialize in Curved Track applications. See page 7 for details.

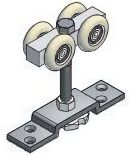


C-994-108 COMPLETE KIT FOR 1 DOOR

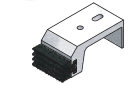
COMPLETE KITS AVAILABLE FOR 24" [610MM] TO 72" [1829MM] WIDE DOORS.



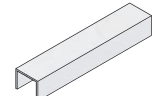
- 1 - C-108 TRACK
LENGTH: 2 X DOOR WIDTH
(EXAMPLE: 36" [914MM] DOOR = 72" [1829MM] TRACK)



- 2 - C-994 HANGERS
COMPLETE WITH SCREWS



- 2 - C-100HD IN-TRACK STOP COMPLETE WITH SCREWS



- 1 - C-914 GUIDE CHANNEL
LENGTH: EQUAL TO DOOR WIDTH (EXAMPLE: 36" [914MM] DOOR = 36" [914MM] GUIDE CHANNEL)



- 1 - C-913 FLOOR GUIDE COMPLETE WITH SCREWS

OPTIONAL PRODUCTS



C-110 Fascia & C-110 End Cap. (See page 67 for more details).



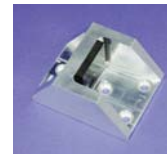
C-90 Door Locks & Pulls Series. (See pages 72-75 for more details).



C-80 Door Locks & Pulls Series. (See pages 72-75 for more details).



CAS-1 or CAS-2 Stops. (See page 69 for more details).

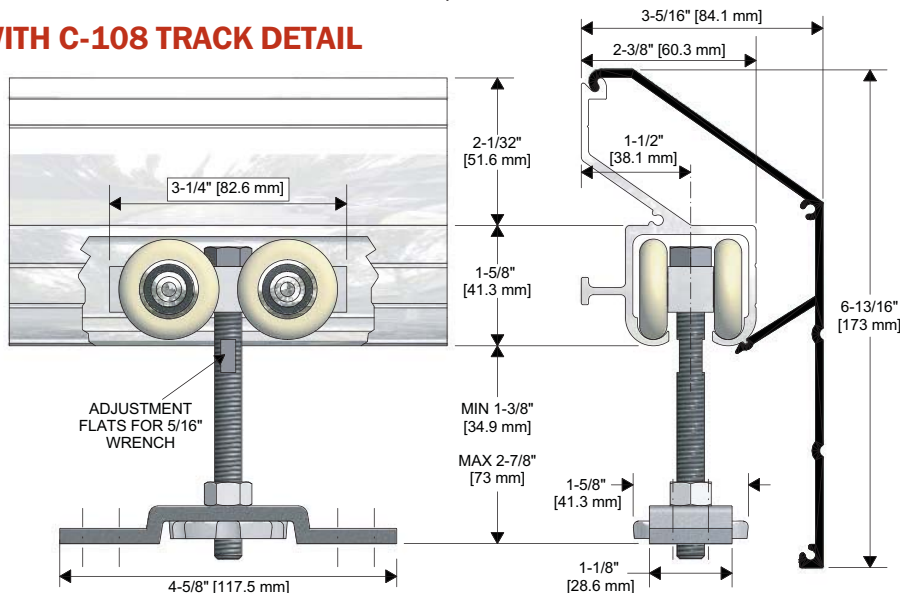


C-102HD Floor Stop. (See page 69 for more details).



CSM-913-108 or CSM-913-2HD Side-Mount Guides with C-914 Guide Channel. (See page 70 for more details).

C-994 HANGER WITH C-108 TRACK DETAIL



SHOWN WITH C-110 FASCIA, OPTIONAL

SINGLE TRACK SYSTEMS

MEDIUM TO HEAVY-DUTY (BARN STYLE)

new

C-993 EASY CONNECT HANGER C-108 SIDE-MOUNT TRACK



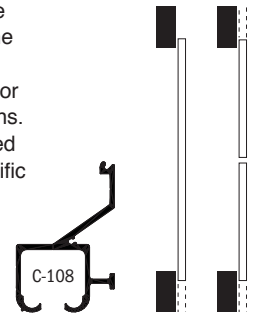
For Single or Bi-Parting Wall Mounted Doors.

Four precision ball bearing, nylon tire wheels on solid, machined steel body. The **C-993 Easy Connect Hanger** has a quick disconnect stud which allows hanger body and stud to be inserted into the track while mounting. The top plate is mounted to the top of door and accepts the quick disconnect stud, therefore reducing installation time.

C-108 Side-Mount Track, all-in-one track that eliminates the need for additional hardware or millwork for wall mount sliding door conditions.

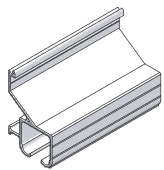
- Available in Mill Finish, Clear or Bronze Anodized. Baked on Enamel Finishes are also available to meet job specific requirements.
- Use with Extruded Aluminum **C-108 Track**, 6063T5 Alloy
- Load Capacity **250 lbs. (two hangers)**

Up to
250 lbs.
per door

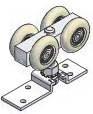


C-993-108 COMPLETE KIT FOR 1 DOOR

COMPLETE KITS AVAILABLE FOR 24" [610MM] TO 72" [1829MM] WIDE DOORS.



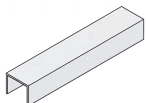
- 1 - C-108 TRACK
LENGTH: 2 X DOOR WIDTH
(EXAMPLE: 36" [914MM] DOOR = 72" [1829MM] TRACK)



- 2 - C-993 HANGERS
COMPLETE WITH SCREWS & ADJUSTMENT ROD



- 2 - C-100HD IN-TRACK STOP COMPLETE WITH SCREWS



- 1 - C-914 GUIDE CHANNEL
LENGTH: EQUAL TO DOOR WIDTH
(EXAMPLE: 36" [914MM] DOOR = 36" [914MM] GUIDE CHANNEL)



- 1 - C-913 FLOOR GUIDE COMPLETE WITH SCREWS

OPTIONAL PRODUCTS



C-110 Fascia & C-110 End Cap. (See page 67 for more details).



C-90 Door Locks & Pulls Series. (See pages 72-75 for more details).



C-80 Door Locks & Pulls Series. (See pages 72-75 for more details).



CAS-1 or CAS-2 Stops. (See page 69 for more details).

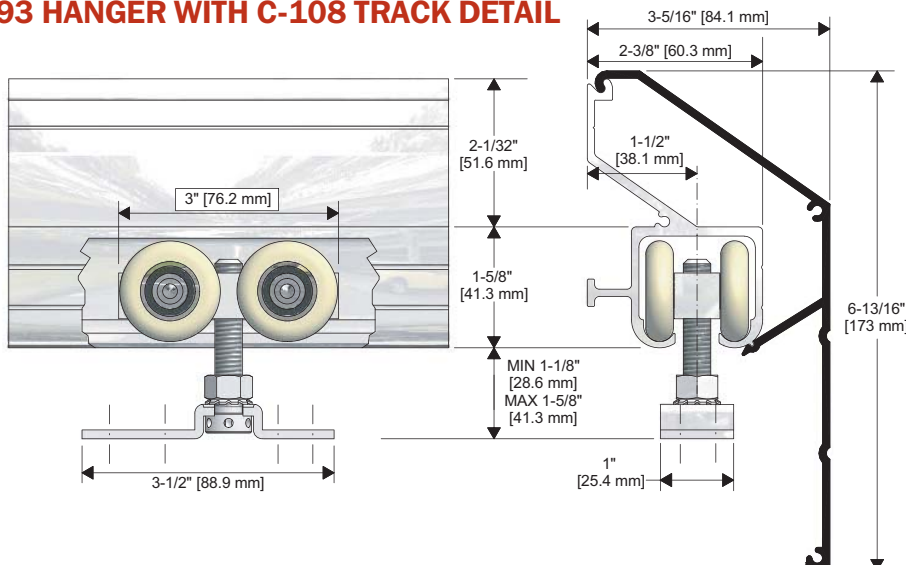


C-102HD Floor Stop. (See page 69 for more details).

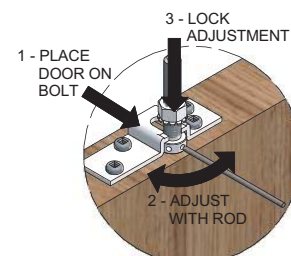


CSM-913-108 or CSM-913-2HD Side-Mount Guides with C-914 Guide Channel. (See page 70 for more details).

C-993 HANGER WITH C-108 TRACK DETAIL



SHOWN WITH C-110 FASCIA, OPTIONAL



SINGLE TRACK SYSTEMS

MEDIUM TO HEAVY-DUTY (BARN STYLE)

C-911 HANGER C-108 SIDE-MOUNT TRACK

**Quick Release "Spinwheel" Hanger
For Single or Bi-Parting Wall Mounted Doors.**

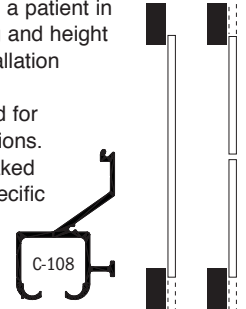
This Series was conceived by KNCrowder for a nursing home application.

The Quick Release Hanger with four Precision ball bearing, nylon tire wheels, allows for fast and easy door removal from the outside (eg: when a patient in distress in a washroom requires immediate assistance). Levelling and height adjustment can be accomplished by one person during door installation without the use of tools.

C-108 Side-Mount Track, all-in-one track that eliminates the need for additional hardware or millwork for wall mount sliding door conditions.

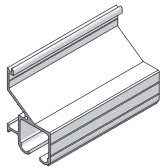
- Available in Mill Finish, Clear or Bronze Anodized. Baked on Enamel Finishes are also available to meet job specific requirements.
- Use with Extruded Aluminum **C-108 Track**, 6063T5 Alloy
- Load Capacity **200 lbs. (two hangers)**

Up to
200lbs.
per door

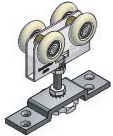


C-911-108 COMPLETE KIT FOR 1 DOOR

COMPLETE KITS AVAILABLE FOR 24" [610MM] TO 72" [1829MM] WIDE DOORS.



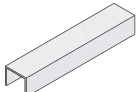
- 1 - C-108 TRACK
LENGTH: 2 X DOOR WIDTH
(EXAMPLE: 36" [914MM] DOOR = 72" [1829MM] TRACK)



- 2 - C-911 HANGERS COMPLETE WITH SCREWS



- 2 - CDC-911 IN-TRACK DOOR STOP & CATCH COMPLETE WITH SCREWS



- 1 - C-914 GUIDE CHANNEL
LENGTH: EQUAL TO DOOR WIDTH
(EXAMPLE: 36" [914MM] DOOR = 36" [914MM] GUIDE CHANNEL)



- 1 - C-913 FLOOR GUIDE COMPLETE WITH SCREWS

OPTIONAL PRODUCTS



C-110 Fascia & C-110 End Cap. (See page 67 for more details).



C-90 Door Locks & Pulls Series. (See pages 72-75 for more details).



C-80 Door Locks & Pulls Series. (See pages 72-75 for more details).



CAS-1 or CAS-2 Stops. (See page 69 for more details).

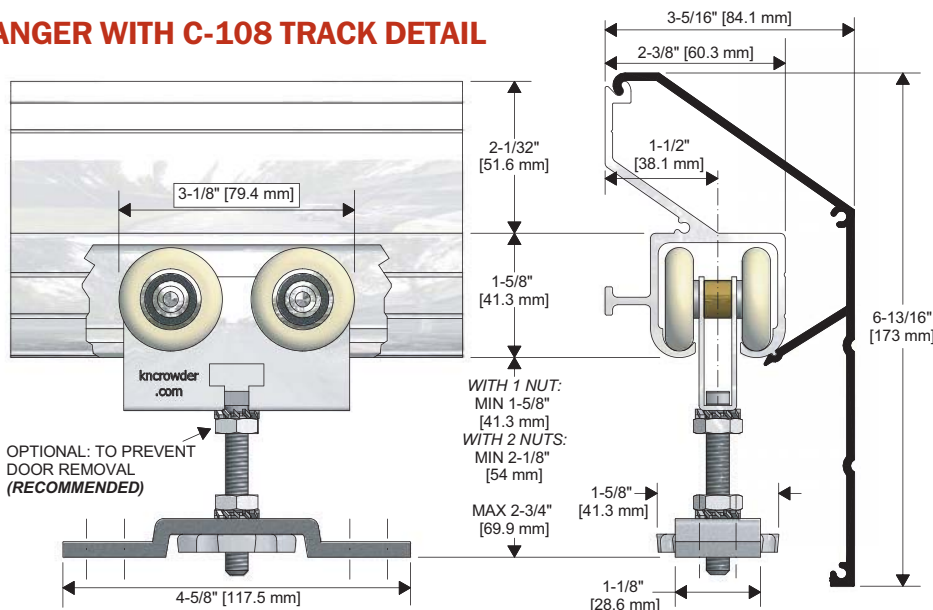


C-102HD Floor Stop. (See page 69 for more details).

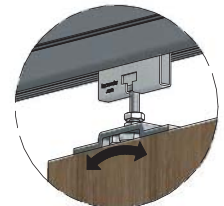
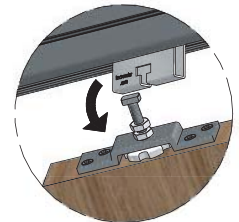


CSM-913-108 or CSM-913-2HD Side-Mount Guides with C-914 Guide Channel. (See page 70 for more details).

C-911 HANGER WITH C-108 TRACK DETAIL



SHOWN WITH C-110 FASCIA, OPTIONAL



SINGLE TRACK SYSTEMS

MEDIUM TO HEAVY-DUTY (BARN STYLE)

new

C-810 ZERO CLEARANCE HANGER C-108 SIDE-MOUNT TRACK

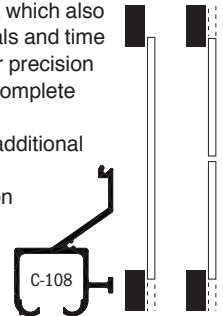
For Single or Bi-Parting Wall Mounted Doors.

ZERO CLEARANCE HANGER carriage assembly is machined steel allowing a load capacity of heavy doors up to 300lbs. This system allows for a minimal clearance of 3/16" [4.8mm] between the door and underside of the track which also reduces light and sound entry. It will also allow minimal costs on materials and time when hiding the track and hanger in a bulk head. Constructed using four precision ball bearing, nylon tire wheels on a solid, machined steel body, comes complete with an adjusting wrench and Allen key for easy adjustment in the field.

C-108 Side-Mount Track, all-in-one track that eliminates the need for additional hardware or millwork for wall mount sliding door conditions.

- Available in Mill Finish, Clear or Bronze Anodized. Baked on Enamel Finishes are also available to meet job specific requirements.
- Use with Extruded Aluminum **C-108 Track**, 6063T5 Alloy
- Load Capacity **300 lbs. (two hangers)**

Up to
300 lbs.
per door



C-810-108 COMPLETE KIT FOR 1 DOOR

COMPLETE KITS AVAILABLE FOR 24" [610MM] TO 72" [1829MM] WIDE DOORS.

- 1 - C-108 TRACK
LENGTH: 2 X DOOR WIDTH
(EXAMPLE: 36" [914MM] DOOR = 72" [1829MM] TRACK)
- 2 - C-810 HANGERS COMPLETE WITH SCREWS
- 2 - C-100HD IN-TRACK STOP COMPLETE WITH SCREWS
- 1 - C-914 GUIDE CHANNEL
LENGTH: EQUAL TO DOOR WIDTH
(EXAMPLE: 36" [914MM] DOOR = 36" [914MM] GUIDE CHANNEL)
- 1 - C-913 FLOOR GUIDE COMPLETE WITH SCREWS

OPTIONAL PRODUCTS



C-110 Fascia & C-110 End Cap. (See page 67 for more details).



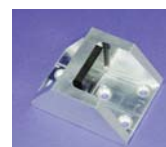
C-90 Door Locks & Pulls Series. (See pages 72-75 for more details).



C-80 Door Locks & Pulls Series. (See pages 72-75 for more details).



CAS-1 or CAS-2 Stops. (See page 69 for more details).

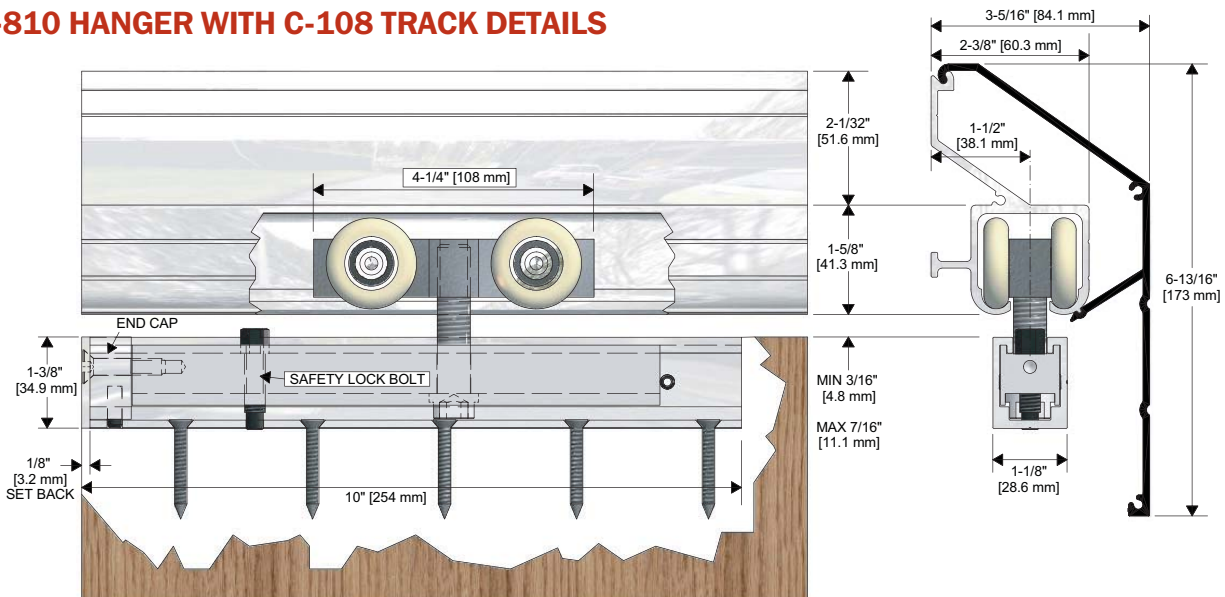


C-102HD Floor Stop. (See page 69 for more details).



CSM-913-108 or CSM-913-2HD Side-Mount Guides with C-914 Guide Channel. (See page 70 for more details).

C-810 HANGER WITH C-108 TRACK DETAILS



SHOWN WITH
C-110 FASCIA,
OPTIONAL

SINGLE TRACK SYSTEMS

MEDIUM TO HEAVY-DUTY (BARN STYLE)

C-107-4 OR C-107-8 HANGER C-108 SIDE-MOUNT TRACK

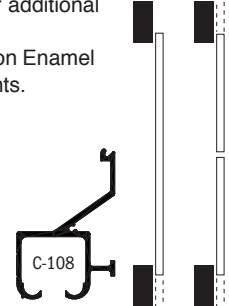
For Single or Bi-Parting Wall Mounted Doors.

Four precision ball bearing, nylon tire wheels per hanger. Clamp type face mounting – adjustable for thickness of door (1-3/4" [44.5mm] – 2-1/4" [57.2mm]) by means of shim spacers on main bolt.

C-108 Side-Mount Track, all-in-one track that eliminates the need for additional hardware or millwork for wall mount sliding door conditions.

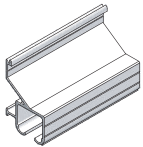
- Available in Mill Finish, Clear or Bronze Anodized. Baked on Enamel Finishes are also available to meet job specific requirements.
- Continuous Hanger for full door widths also available.
- Use with Extruded Aluminum **C-108 Track**, 6063T5 Alloy

- C-107-4 Hanger** Four-wheel version
 - Load Capacity **350 lbs. (two hangers)**
- C-107-8 Hanger** Eight-wheel version
 - Load Capacity **500 lbs. (two hangers)**

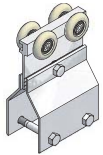


C-107-4-108 OR C-107-8-108 COMPLETE KIT FOR 1 DOOR

COMPLETE KITS AVAILABLE FOR 24" [610MM] TO 72" [1829MM] WIDE DOORS.



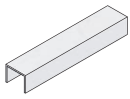
- 1 - C-108 TRACK
LENGTH: 2 X DOOR WIDTH
(EXAMPLE: 36" [914MM] DOOR = 72" [1829MM] TRACK)



- 2 - C-107-4 OR C-107-8 HANGERS COMPLETE WITH BOLTS, WASHERS & NUTS



- 2 - C-100HD IN-TRACK STOP COMPLETE WITH SCREWS



- 1 - C-914 GUIDE CHANNEL
LENGTH: EQUAL TO DOOR WIDTH
(EXAMPLE: 36" [914MM] DOOR = 36" [914MM] GUIDE CHANNEL)



- 1 - C-913 FLOOR GUIDE COMPLETE WITH SCREWS

OPTIONAL PRODUCTS



C-110 Fascia & C-110 End Cap. (See page 67 for more details).



C-90 Door Locks & Pulls Series. (See pages 72-75 for more details).



C-80 Door Locks & Pulls Series. (See pages 72-75 for more details).



CAS-1 or CAS-2 Stops. (See page 69 for more details).

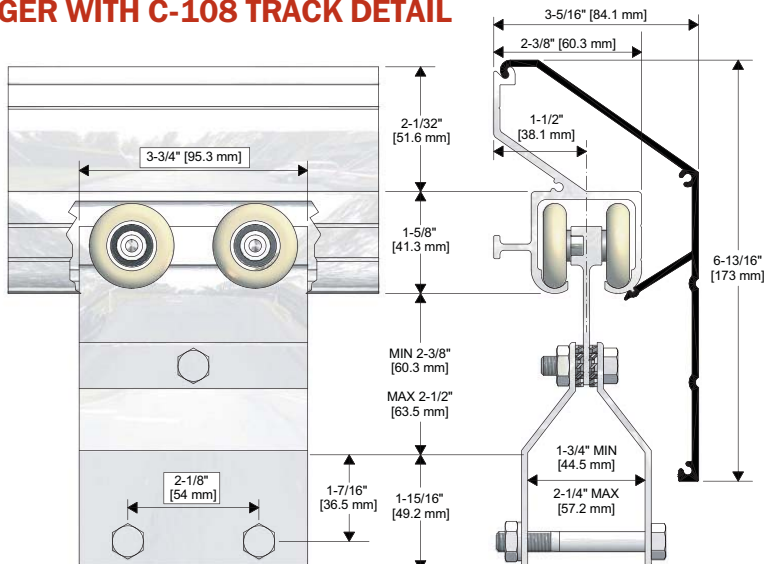


C-102HD Floor Stop. (See page 69 for more details).

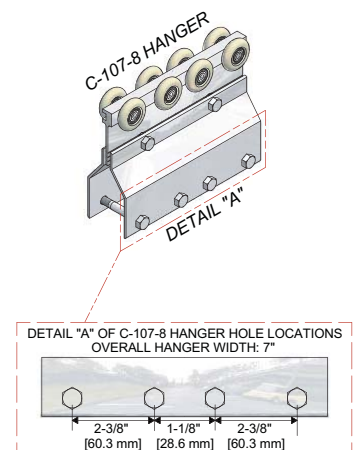


CSM-913-108 or CSM-913-2HD Side-Mount Guides with C-914 Guide Channel. (See page 70 for more details).

C-107-4 HANGER WITH C-108 TRACK DETAIL



SHOWN WITH C-110 FASCIA, OPTIONAL



CONTINUOUS HANGER
Available for any door width

SINGLE TRACK SYSTEMS

MEDIUM TO HEAVY-DUTY (BARN STYLE)

C-106-4 HANGER C-108 SIDE-MOUNT TRACK

Up to
175 lbs.
per door

For Single or Bi-Parting Wall Mounted Doors.

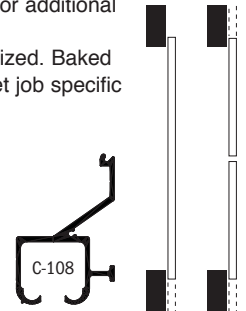
Four precision ball bearing, nylon tire wheels per hanger. Locknuts hold vertical adjustment. Suitable for all types of heavy sliding doors.

C-108 Side-Mount Track, all-in-one track that eliminates the need for additional hardware or millwork for wall mount sliding door conditions.

- Available in Mill Finish, Clear or Bronze Anodized. Baked on Enamel Finishes are also available to meet job specific requirements.
- Use with Extruded Aluminum **C-108 Track**, 6063T5 Alloy
- Load capacity **175 lbs. (two hangers)**



*We specialize in Curved Track applications.
See page 7 for details.*



C-106-4-108 COMPLETE KIT FOR 1 DOOR

COMPLETE KITS AVAILABLE FOR 24" [610MM] TO 72" [1829MM] WIDE DOORS.

- 1 - C-108 TRACK
LENGTH: 2 X DOOR WIDTH
(EXAMPLE: 36" [914MM] DOOR = 72" [1829MM] TRACK)
- 2 - C-106-4 HANGERS
COMPLETE WITH SCREWS
- 2 - C-100HD IN-TRACK STOP COMPLETE WITH SCREWS
- 1 - C-914 GUIDE CHANNEL
LENGTH: EQUAL TO DOOR WIDTH
(EXAMPLE: 36" [914MM] DOOR = 36" [914MM] GUIDE CHANNEL)
- 1 - C-913 FLOOR GUIDE COMPLETE WITH SCREWS

OPTIONAL PRODUCTS



C-110 Fascia & C-110 End Cap. (See page 67 for more details).



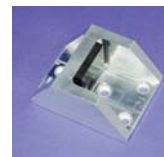
C-90 Door Locks & Pulls Series. (See pages 72-75 for more details).



C-80 Door Locks & Pulls Series. (See pages 72-75 for more details).



CAS-1 or CAS-2 Stops. (See page 69 for more details).

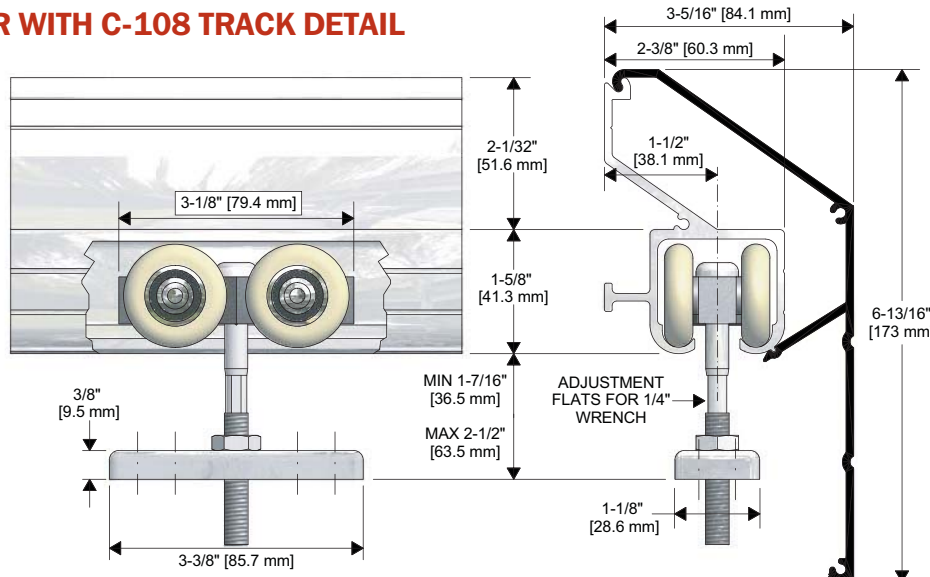


C-102HD Floor Stop. (See page 69 for more details).



CSM-913-108 or CSM-913-2HD Side-Mount Guides with C-914 Guide Channel. (See page 70 for more details).

C-106-4 HANGER WITH C-108 TRACK DETAIL



SHOWN WITH
C-110 FASCIA,
OPTIONAL

SINGLE TRACK SYSTEMS

MEDIUM TO HEAVY-DUTY (BARN STYLE)

C-105-4 OR C-105-8 HANGER C-108 SIDE-MOUNT TRACK



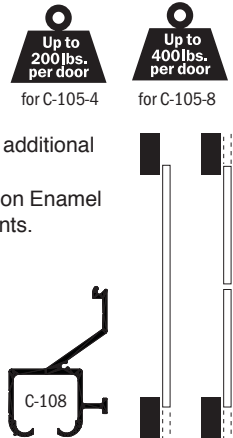
For Single or Bi-Parting Wall Mounted Doors.

Four precision ball bearing, nylon tire wheels per hanger, in a side-mounted track. Kerf door 2" [50.8mm] deep to receive hanger plate allowing minimum head clearance.

C-108 Side-Mount Track, all-in-one track that eliminates the need for additional hardware or millwork for wall mount sliding door conditions.

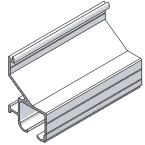
- Available in Mill Finish, Clear or Bronze Anodized. Baked on Enamel Finishes are also available to meet job specific requirements.
- Continuous Hanger for full door widths also available.
- Use with Extruded Aluminum **C-108 Track**, 6063T5 Alloy

- C-105-4 Hanger** Four-wheel version
 - Load Capacity **200 lbs. (two hangers)**
- C-105-8 Hanger** Eight-wheel version
 - Load capacity **400 lbs. (two hangers)**

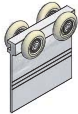


C-105-4-108 OR C-105-8-108 COMPLETE KIT FOR 1 DOOR

COMPLETE KITS AVAILABLE FOR 24" [610MM] TO 72" [1829MM] WIDE DOORS.



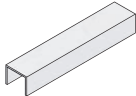
- 1 - C-108 TRACK
LENGTH: 2 X DOOR WIDTH
(EXAMPLE: 36" [914MM] DOOR = 72" [1829MM] TRACK)



- 2 - C-105-4 OR C-105-8 HANGERS COMPLETE WITH BOLT(S), WASHER(S), & NUT(S)



- 2 - C-100HD IN-TRACK STOP COMPLETE WITH SCREWS



- 1 - C-914 GUIDE CHANNEL
LENGTH: EQUAL TO DOOR WIDTH
(EXAMPLE: 36" [914MM] DOOR = 36" [914MM] GUIDE CHANNEL)



- 1 - C-913 FLOOR GUIDE COMPLETE WITH SCREWS

OPTIONAL PRODUCTS



C-110 Fascia & C-110 End Cap. (See page 67 for more details).



C-90 Door Locks & Pulls Series. (See pages 72-75 for more details).



C-80 Door Locks & Pulls Series. (See pages 72-75 for more details).



CAS-1 or CAS-2 Stops. (See page 69 for more details).

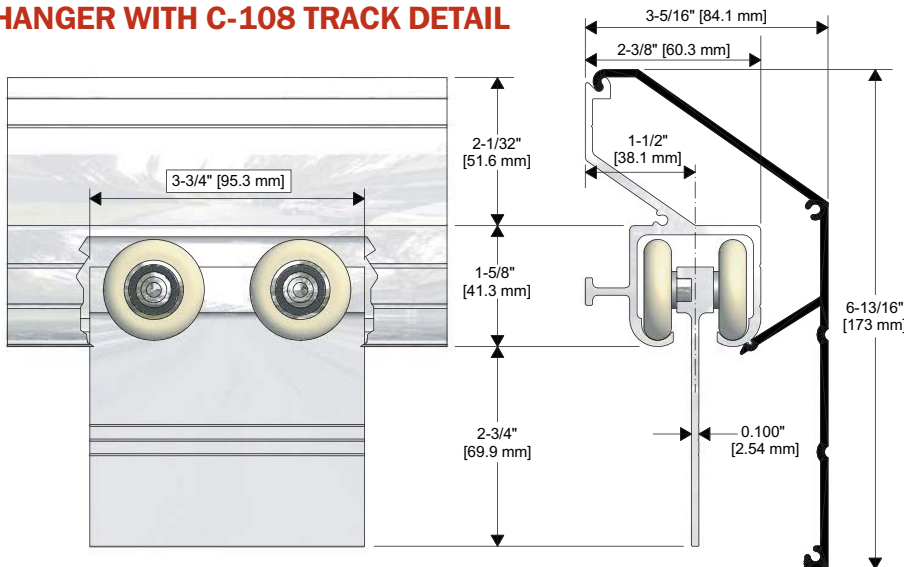


C-102HD Floor Stop. (See page 69 for more details).

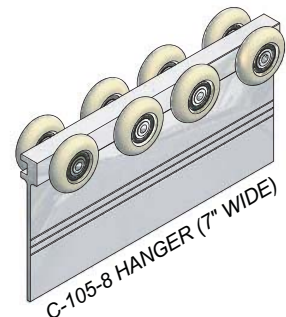


CSM-913-108 or CSM-913-2HD Side-Mount Guides with C-914 Guide Channel. (See page 70 for more details).

C-105-4 HANGER WITH C-108 TRACK DETAIL



SHOWN WITH C-110 FASCIA, OPTIONAL



CONTINUOUS HANGER
Available for any door width

SINGLE TRACK SYSTEMS

MEDIUM TO HEAVY-DUTY (BARN STYLE)

C-103-4 HANGER C-108 SIDE-MOUNT TRACK

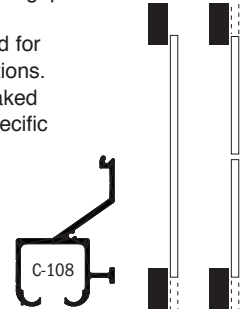
For Single or Bi-Parting Wall Mounted Doors.

Four precision ball bearing, nylon tire wheels per hanger. Designed for top and face mounting to the door. Provides a secure grip for heavy loads.

C-108 Side-Mount Track, all-in-one track that eliminates the need for additional hardware or millwork for wall mount sliding door conditions.

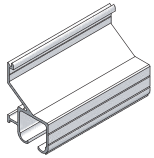
- Available in Mill Finish, Clear or Bronze Anodized. Baked on Enamel Finishes are also available to meet job specific requirements.
- Use with Extruded Aluminum **C-108 Track**, 6063T5 Alloy
- Load capacity **200 lbs. (two hangers)**

Up to
200 lbs.
per door

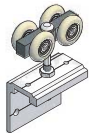


C-103-4-108 COMPLETE KIT FOR 1 DOOR

COMPLETE KITS AVAILABLE FOR 24" [610MM] TO 72" [1829MM] WIDE DOORS.



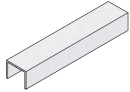
- 1 - C-108 TRACK
LENGTH: 2 X DOOR WIDTH
(EXAMPLE: 36" [914MM] DOOR = 72" [1829MM] TRACK)



- 2 - C-103-4 HANGERS COMPLETE WITH SCREWS, BOLTS, WASHERS, & NUTS



- 2 - C-100HD IN-TRACK STOP COMPLETE WITH SCREWS



- 1 - C-914 GUIDE CHANNEL
LENGTH: EQUAL TO DOOR WIDTH
(EXAMPLE: 36" [914MM] DOOR = 36" [914MM] GUIDE CHANNEL)



- 1 - C-913 FLOOR GUIDE COMPLETE WITH SCREWS

OPTIONAL PRODUCTS



C-110 Fascia & C-110 End Cap. (See page 67 for more details).



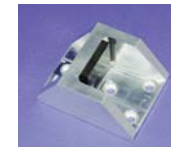
C-90 Door Locks & Pulls Series. (See pages 72-75 for more details).



C-80 Door Locks & Pulls Series. (See pages 72-75 for more details).



CAS-1 or CAS-2 Stops. (See page 69 for more details).

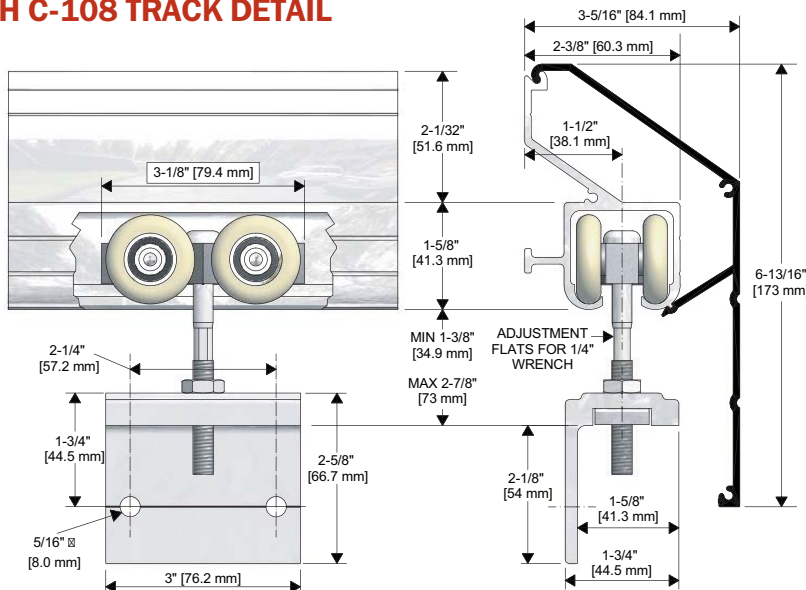


C-102HD Floor Stop. (See page 69 for more details).



CSM-913-108 or CSM-913-2HD Side-Mount Guides with C-914 Guide Channel. (See page 70 for more details).

C-103-4 HANGER WITH C-108 TRACK DETAIL



SHOWN WITH C-110 FASCIA, OPTIONAL

SINGLE TRACK SYSTEMS

MEDIUM TO LIGHT DUTY (BARN STYLE)

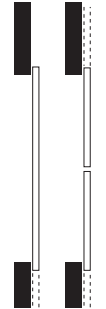
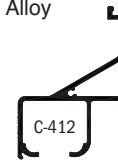
C-412 HANGER C-412 SIDE-MOUNT TRACK

Quick Release "Spinwheel" Hanger For Single or Bi-Parting Face Mounted Doors.

An essential safety feature for **Nursing Homes** and **Hospitals**. The Quick Release Hanger with four Precision ball bearing, nylon tire wheels allows for fast and easy door removal from the outside (eg: when a patient in distress in a washroom requires immediate assistance). Levelling and height adjustment can be accomplished by one person during door installation without the use of tools.

- Use with Extruded Aluminum **C-412 Track** 6063T5 Alloy
- Load Capacity **150 lbs. (two hangers)**

Up to
150 lbs.
per door

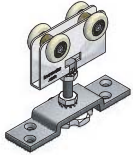


C-412 COMPLETE KIT FOR 1 DOOR

COMPLETE KITS AVAILABLE FOR 24" [610MM] TO 72" [1829MM] WIDE DOORS.



- 1 - C-412 TRACK
LENGTH: 2 X DOOR WIDTH
(EXAMPLE: 36" [914MM] DOOR =
72" [1829MM] TRACK)



- 2 - C-412 HANGERS COMPLETE WITH
SCREWS



- 2 - C-1202 FLOOR GUIDES COMPLETE
WITH SCREWS



- 2 - CDC-411 IN-TRACK STOP & CATCH
COMPLETE WITH SCREWS

OPTIONAL PRODUCTS



C-413 Fascia & C-413 End
Cap. (See page 67
for more details).



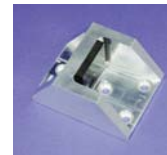
C-90 Door Locks & Pulls
Series. (See pages
72-75 for more details).



C-80 Door Locks & Pulls
Series. (See pages
72-75 for more details).



CAS-1 or CAS-2 Stops.
(See page 69 for more details).

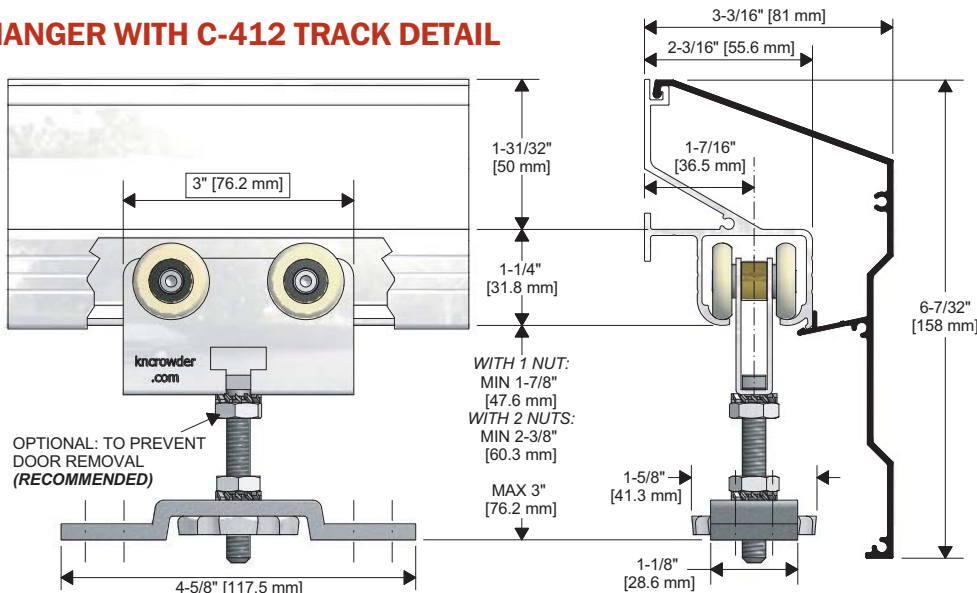


C-102HD Floor
Stop. (See page 69
for more details).

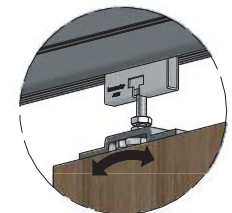
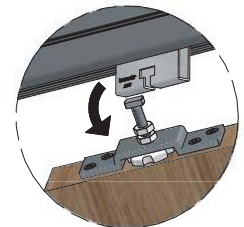


CSM-913-412 or CSM-200-412
Side-Mount Guides with C-914
or C-201 Guide Channel. (See
pages 70-71 for more details).

C-412 HANGER WITH C-412 TRACK DETAIL



SHOWN WITH C-413 FASCIA, OPTIONAL



SINGLE TRACK SYSTEMS

MEDIUM TO LIGHT DUTY

C-411 HANGER

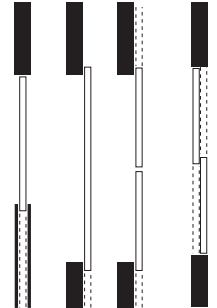
C-411 TRACK

Quick Release "Spinwheel" Hanger For Single or Bi-Parting Face Mounted Doors.

An essential safety feature for **Nursing Homes** and **Hospitals**. The Quick Release Hanger with four Precision ball bearing, nylon tire wheels, allows for fast and easy door removal from the outside (eg: when a patient in distress in a washroom requires immediate assistance). Levelling and height adjustment can be accomplished by one person during door installation without the use of tools.

- Use with Extruded Aluminum **C-411 Track**, 6063T5 Alloy
- Load Capacity **150 lbs. (two hangers)**

Up to
150 lbs.
per door

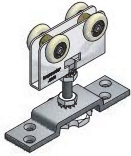


C-411 COMPLETE KIT FOR 1 DOOR

COMPLETE KITS AVAILABLE FOR 24" [610MM] TO 72" [1829MM] WIDE DOORS. FOR BY-PASSING DOOR APPLICATIONS USE TWO COMPLETE KITS.



- 1 - C-411 TRACK
LENGTH: 2 X DOOR WIDTH
(EXAMPLE: 36" [914MM] DOOR =
72" [1829MM] TRACK)



- 2 - C-411 HANGERS COMPLETE WITH
SCREWS



- 2 - C-1202 FLOOR GUIDES COMPLETE
WITH SCREWS



- 2 - CDC-411 IN-TRACK STOP & CATCH
COMPLETE WITH SCREWS

OPTIONAL PRODUCTS



C-90 Door Locks & Pulls
Series. (See pages
72-75 for more details).



C-80 Door Locks & Pulls
Series. (See pages
72-75 for more details).



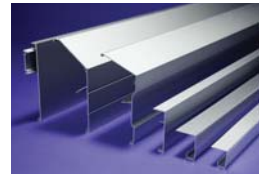
CAS-1 or CAS-2 Stops.
(See page 69 for more
details).



C-913 Guide & C-914
Guide channel.
(See page 70 for more
details).

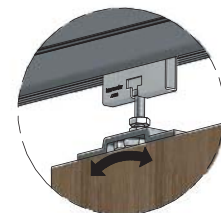
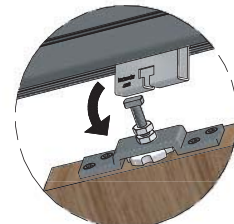
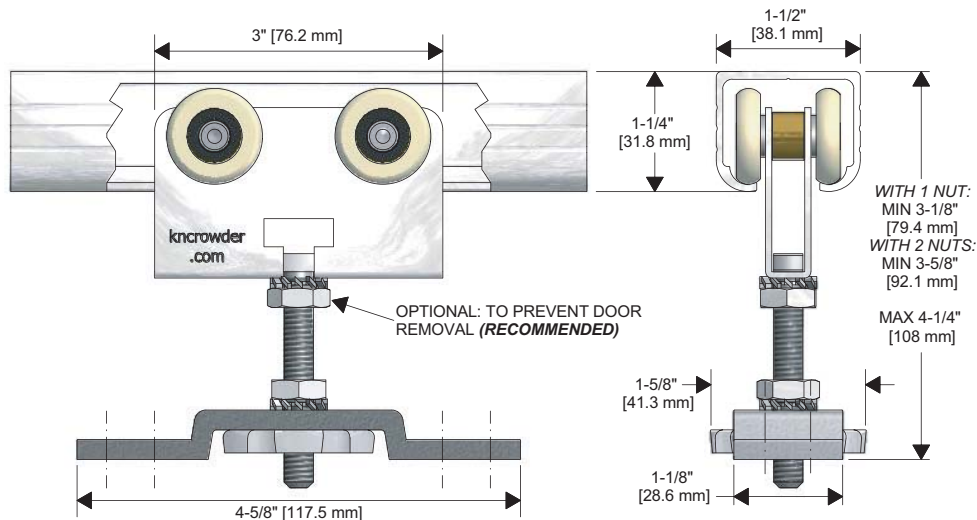


C-200 Guide or C-200B
Spring Loaded Guide
& C-201 Guide
Channel. (See page
71 for more details).



Optional Fascias.
(See page 67 for more
details).

C-411 HANGER WITH C-411 TRACK DETAILS



SINGLE TRACK SYSTEMS

MEDIUM TO LIGHT DUTY

C-400 HANGER

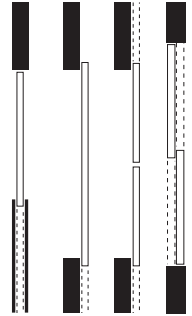
C-400 TRACK

For Single & Bi-Parting, By-Passing, Pocket or Wall Mounted Doors. This series provides the ultimate in smooth performance.

Eight ball bearing, nylon tire wheels per door. Features vertical adjustment by threaded door top plate and locknut. Ideal for mirror covered and solid core doors.

- Can be mounted side by side for by-pass applications
- Use with Extruded Aluminum **C-400 Track**, 6063T5 Alloy
- Load Capacity **125 lbs. (two hangers)**

Up to 125 lbs. per door



C-400



We specialize in Curved Track applications. See page 7 for details.



C-400 COMPLETE KIT FOR 1 DOOR

COMPLETE KITS AVAILABLE FOR 24" [610MM] TO 72" [1829MM] WIDE DOORS. FOR BY-PASSING DOOR APPLICATIONS USE TWO COMPLETE KITS.



1 - C-400 TRACK
LENGTH: 2 X DOOR WIDTH
(EXAMPLE: 36" [914MM] DOOR = 72" [1829MM] TRACK)



2 - C-400 HANGERS COMPLETE WITH SCREWS



2 - C-1202 FLOOR GUIDES COMPLETE WITH SCREWS



2 - CDC-400 IN-TRACK STOP & CATCH COMPLETE WITH SCREWS

OPTIONAL PRODUCTS



C-401 Side-Mount Bracket. (See page 68 for more details. CSM Side-Mount guides for this series also available on page 70).



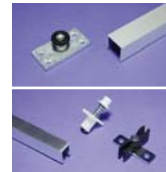
C-30, C-35 or C-40 Door Locks Series. C-23, C-25, C-70, C-75 Door Pulls. (See page 72 for more details).



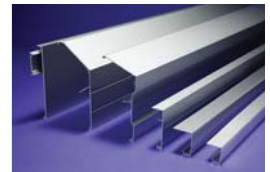
C-80 Door Locks & Pulls Series. (See pages 72-75 for more details).



CAS-1 or CAS-2 Stops. (See page 69 for more details).

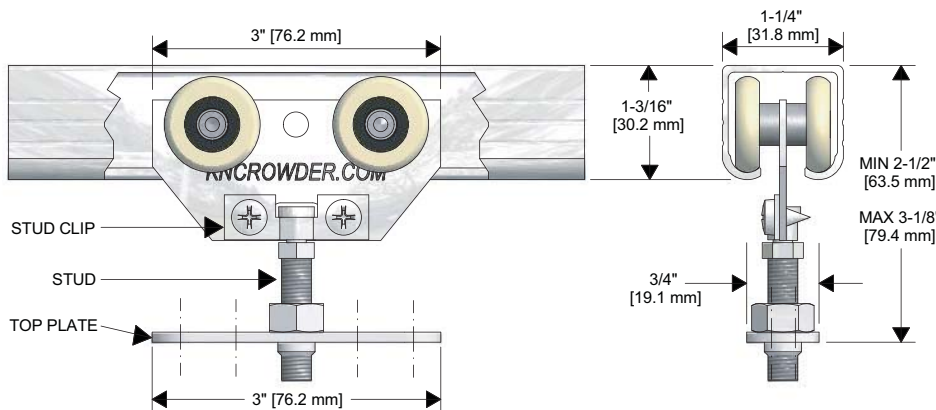


C-200 Guide or C-200B Spring Loaded Guide & C-201 Guide Channel. (See pages 71 for more details). C-913 Guide & C-914 Guide channel. (See page 70 for more details).

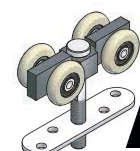


Optional Fascias. (See page 67 for more details).

C-400 HANGER WITH C-400 TRACK DETAIL



OTHER SPECIAL HANGERS AVAILABLE FOR C-400 TRACK. (CONTACT CUSTOMER SERVICE FOR MORE DETAILS)



CL-400 HANGER (FOR CURVED TRACK APPLICATIONS)



C-304 CONCEALED TYPE HANGER



C-2400 (FLAT)



C-2438 (3/8" [9.5MM] OFFSET)



C-2458 (5/8" [15.9MM] OFFSET)

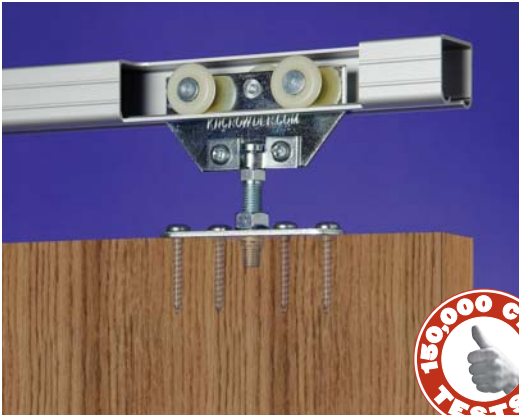
SIDE-MOUNT HANGERS

SINGLE TRACK SYSTEMS

LIGHT DUTY

C-350 HANGER

C-350 TRACK

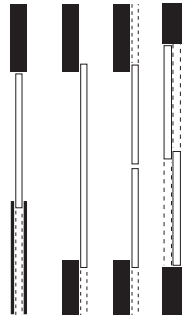


For 3/4" [19.1mm] – 1-3/8" [34.9mm] Single & Bi-Parting, By-Passing, Pocket or Wall Mounted Doors.

This series is top hung for true vertical hang on doors. Features vertical adjustment by threaded door top plate and locknut.

- Can be mounted side by side for by-pass applications
- Use with Extruded Aluminum **C-350 Track**, 6063T5 Alloy
- Load Capacity **75 lbs. (two hangers)**

Up to 75 lbs. per door



C-350 COMPLETE KIT FOR 1 DOOR

COMPLETE KITS AVAILABLE FOR 24" [610MM] TO 72" [1829MM] WIDE DOORS. FOR BY-PASSING DOOR APPLICATIONS USE TWO COMPLETE KITS.



1 - C-350 TRACK
LENGTH: 2 X DOOR WIDTH
(EXAMPLE: 36" [914MM] DOOR = 72" [1829MM] TRACK)



2 - C-350 HANGERS COMPLETE WITH SCREWS



2 - C-1202 FLOOR GUIDES COMPLETE WITH SCREWS

OPTIONAL PRODUCTS



C-30, C-35 or C-40 Door Locks Series. (See page 72 for more details).



C-23, C-25, C-70, C-75 Door Pulls. (See page 72 for more details).



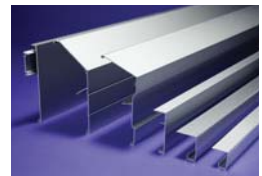
C-80 Door Locks & Pulls Series. (See pages 72-75 for more details).



C-100 In-track Stop. (See page 69 for more details).

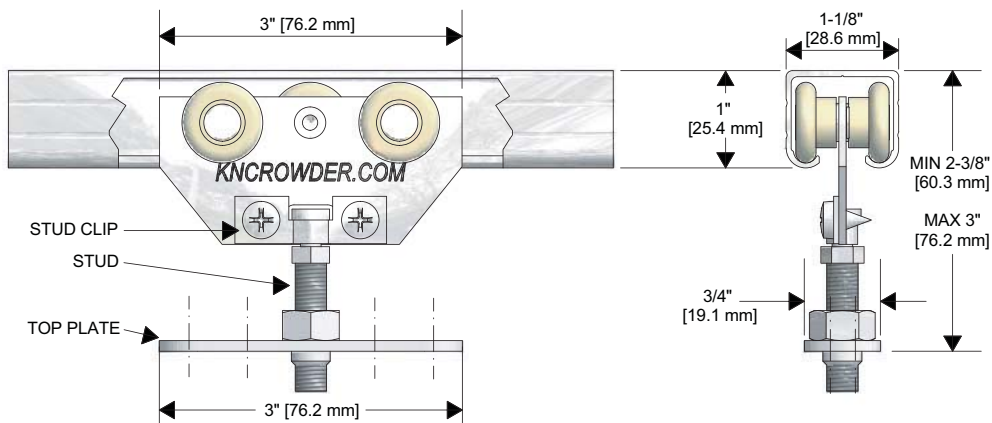


C-200 Guide or C-200B Spring Loaded Guide & C-201 Guide Channel. (See page 71 for more details).



Optional Fascias. (See page 67 for more details).

C-350 HANGER WITH C-350 TRACK DETAIL



SINGLE TRACK SYSTEMS

LIGHT DUTY

C-300 HANGER

C-300 TRACK

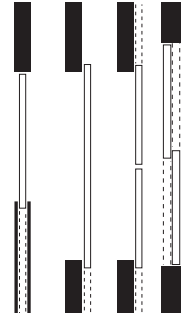
For Single & Bi-Parting, By-Passing, Pocket or Wall Mounted Doors

Design of an extra strong hanger is particularly useful on plywood or special material doors because of the secure anchorage it provides. Six nylon wheels assure smooth, quiet performance of every door.

Concealed track and hangers require 1" headroom only.

- Can be mounted side by side for by-pass applications
- Use with Extruded Aluminum **C-300 Track**, 6063T5 Alloy
- Load Capacity **75 lbs. (two hangers)**

Up to
75 lbs.
per door



C-300 COMPLETE KIT FOR 1 DOOR

COMPLETE KITS AVAILABLE FOR 24" [610MM] TO 72" [1829MM] WIDE DOORS. FOR BY-PASSING DOOR APPLICATIONS USE TWO COMPLETE KITS.



- 1 - C-300 TRACK
LENGTH: 2 X DOOR WIDTH
(EXAMPLE: 36" [914MM] DOOR =
72" [1829MM] TRACK)



- 2 - C-300 HANGERS COMPLETE WITH EXPANSION
SLEEVES



- 2 - C-1202 FLOOR GUIDES COMPLETE WITH
SCREWS

OPTIONAL PRODUCTS



C-30, C-35 or C-40 Door
Locks Series.
(See page 72 for more
details).



C-23, C-25, C-70, C-75
Door Pulls. (See page 72
for more details).



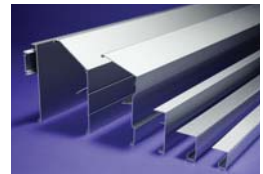
C-80 Door Locks & Pulls
Series. (See pages
72-75 for more details).



C-100 In-track Stop.
(See page 69 for more
details).

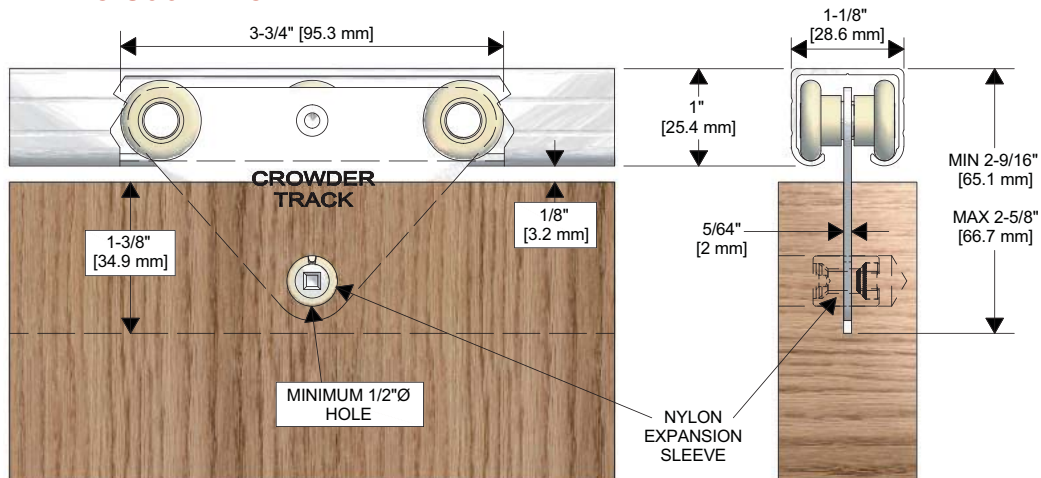


C-200 Guide or C-200B
Spring Loaded Guide
& C-201 Guide Channel.
(See page 71 for more
details).



Optional Fascias.
(See page 67 for more
details).

C-300 HANGER WITH C-300 TRACK DETAIL



DUAL TRACK BY-PASS SYSTEMS

MEDIUM TO LIGHT DUTY

C-500 HANGER

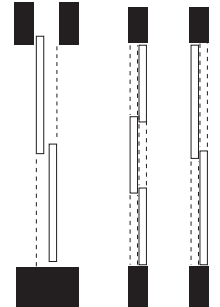
C-500 TRACK (FOR 1-3/4" [44.5MM] DOORS)

For 1-3/4" [44.5mm] By-Passing Medium to Light Duty Doors
This series provides the ultimate in smooth performance.

Eight precision ball bearing, nylon tire wheels per door. Features vertical adjustment by threaded door top plate and locknut. Ideal for mirror covered and solid core doors.

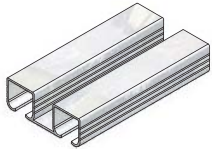
- Use with Extruded Aluminum **C-500 Track**, 6063T5 Alloy
- Load capacity **125 lbs. (two hangers)**

Up to
125 lbs.
per door



C-500 COMPLETE KIT FOR 2 DOORS

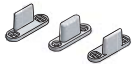
COMPLETE KITS AVAILABLE FOR DOOR WIDTHS FROM 24" [610MM] TO 72" [1829MM], AND WITH HARDWARE FOR 2 DOORS.



- 1 - C-500 TRACK
 LENGTH: 2 X DOOR WIDTH
 (EXAMPLE: 36" [914MM] DOOR = 72" [1829MM] TRACK)



- 4 - C-500 HANGERS COMPLETE WITH SCREWS



- 1 - C-1204 FLOOR GUIDES COMPLETE WITH SCREWS



- 4 - CDC-400 IN-TRACK STOP & CATCH COMPLETE WITH SCREWS

OPTIONAL PRODUCTS



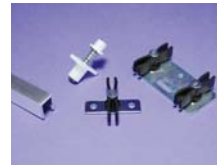
CDSM-1 Side-Mount Bracket. (See page 68 for more details).



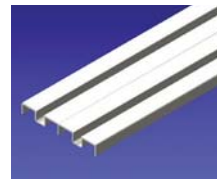
C-23, C-25, C-70, C-75 Door Pulls. (See page 72 for more details).



C-913 Guide or C-913D-134 Double Roller Guide & C-914 Guide channel. (See page 70 for more details)



C-200 Guide, C-200D-134 Double Roller Guide or C-200B Spring Loaded Guide & C-201 Guide Channel. (See page 71 for more details).

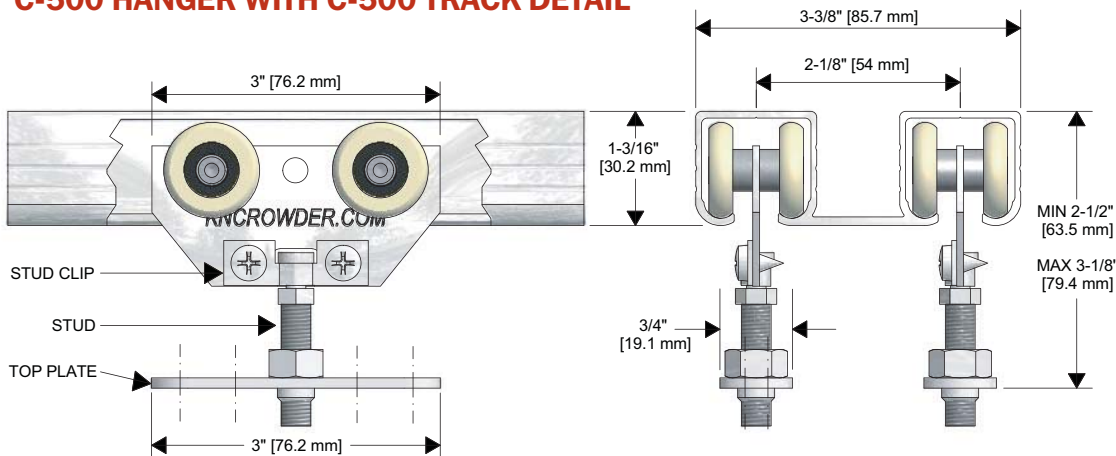


C-202 Guide Threshold. (See page 71 for more details).

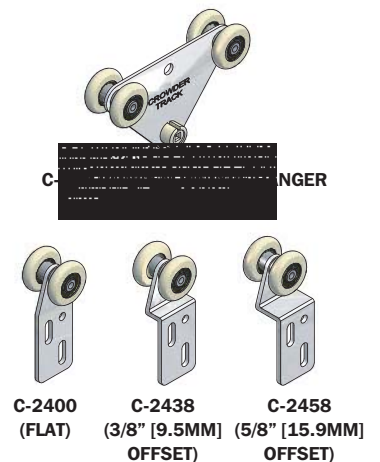


Optional Fascias. (See page 67 for more details).

C-500 HANGER WITH C-500 TRACK DETAIL



OTHER SPECIAL HANGERS AVAILABLE FOR C-500 TRACK



DUAL TRACK BY-PASS SYSTEMS

MEDIUM TO LIGHT DUTY

C-538 HANGER

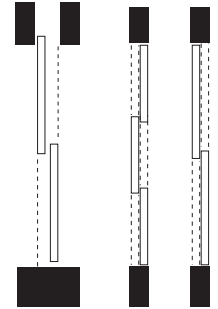
C-538 TRACK (FOR 1-3/8" [34.9MM] DOORS)

For 1-3/8" [34.9mm] By-Passing Medium to Light Duty Doors
This series provides the ultimate in smooth performance.

Eight precision ball bearing, nylon tire wheels per door. Features vertical adjustment by threaded door top plate and locknut. Ideal for mirror covered and solid core doors.

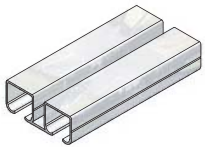
- Use with Extruded Aluminum **C-538 Track**, 6063T5 Alloy
- Load capacity 125 lbs. (two hangers)

Up to 125 lbs. per door



C-538 COMPLETE KIT FOR 2 DOORS

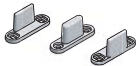
COMPLETE KITS AVAILABLE FOR DOOR WIDTHS FROM 24" [610MM] TO 72" [1829MM], AND WITH HARDWARE FOR 2 DOORS.



- 1 - C-538 TRACK
 LENGTH: 2 X DOOR WIDTH
 (EXAMPLE: 36" [914MM] DOOR = 72" [1829MM] TRACK)



- 4 - C-538 HANGERS COMPLETE WITH SCREWS



- 1 - C-1204 FLOOR GUIDES COMPLETE WITH SCREWS



- 4 - CDC-400 IN-TRACK STOP & CATCH COMPLETE WITH SCREWS

OPTIONAL PRODUCTS



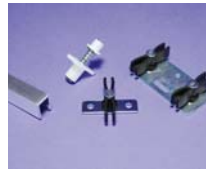
CDSM-1 Side-Mount Bracket. (See page 68 for more details).



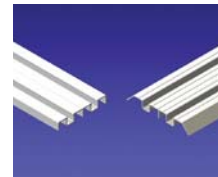
C-23, C-25, C-70, C-75 Door Pulls. (See page 72 for more details).



C-913 Guide or C-913D-138 Double Roller Guide & C-914 Guide channel. (See page 70 for more details)



C-200 Guide, C-200D-138 Double Roller Guide or C-200B Spring Loaded Guide & C-201 Guide Channel. (See page 71 for more details).

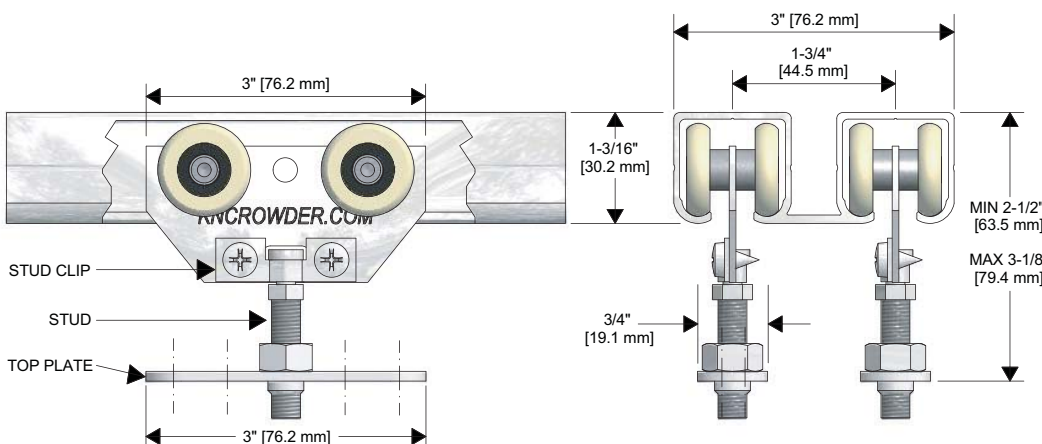


C-238 or C-238S Guide Threshold. (See page 71 for more details).



Optional Fascias. (See page 67 for more details).

C-538 HANGER WITH C-538 TRACK DETAIL



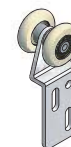
OTHER SPECIAL HANGERS AVAILABLE FOR C-538 TRACK. (CONTACT CUSTOMER SERVICE FOR MORE DETAILS)



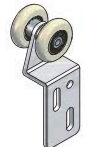
C-304 CONCEALED TYPE HANGER



C-2400 (FLAT)



C-2438 (3/8" [9.5MM] OFFSET)



C-2458 (5/8" [15.9MM] OFFSET)

SIDE-MOUNT HANGERS

A PRODUCT OF K. N. CROWDER MFG. INC.

DUAL TRACK BY-PASS SYSTEMS

LIGHT DUTY

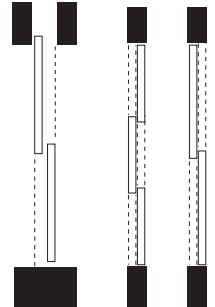
C-600 HANGER

C-600 TRACK

For By-Passing Light Duty Doors

This series is top hung for true vertical hang on doors. Features vertical adjustment by threaded door top plate and locknut.

- 6 nylon wheels per door
- Use with Extruded Aluminum **C-600 Track**, 6063T5 Alloy
- Load capacity **75 lbs. (two hangers)**



C-600 COMPLETE KIT FOR 2 DOORS

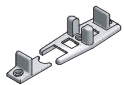
COMPLETE KITS AVAILABLE FOR DOOR WIDTHS FROM 24" [610MM] TO 72" [1829MM], AND WITH HARDWARE FOR 2 DOORS.



- 1 - C-600 TRACK
LENGTH: 2 X DOOR WIDTH
(EXAMPLE: 36" [914MM] DOOR = 72" [1829MM] TRACK)

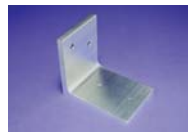


- 4 - C-600 HANGERS COMPLETE WITH SCREWS



- 1 - C-1205 SELF ALIGNING FLOOR GUIDES COMPLETE WITH SCREWS

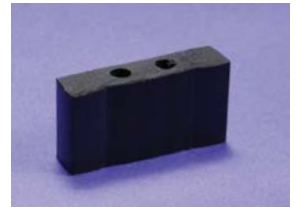
OPTIONAL PRODUCTS



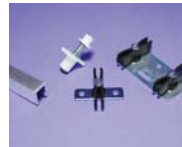
CDSM-1 Side-Mount Bracket. (See page 68 for more details).



C-23, C-25, C-70, C-75 Door Pulls. (See page 72 for more details).



C-100 In-track Stop. (See page 69 for more details).



C-200 Guide, C-200D-138 Double Roller Guide or C-200B Spring Loaded Guide & C-201 Guide Channel. (See page 71 for more details).

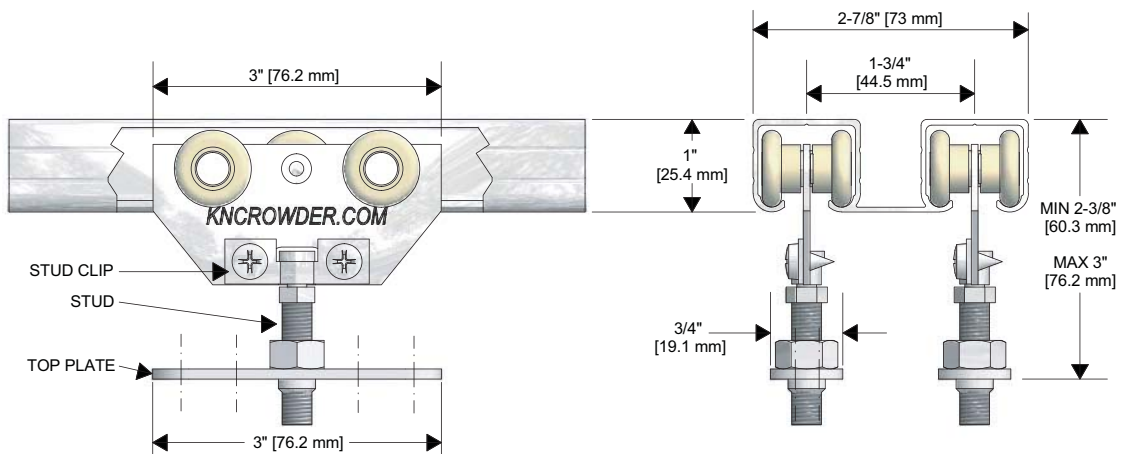


C-238 or C-238S Guide Threshold. (See page 71 for more details).



Optional Fascias. See page 67 for more details.

C-600 HANGER WITH C-600 TRACK DETAIL



DUAL TRACK BY-PASS SYSTEMS

LIGHT DUTY

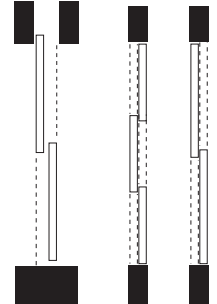
C-650 HANGER

C-650 TRACK

For By-Passing Light Duty Doors.

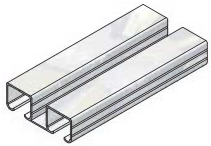
Design of an extra strong hanger is particularly useful on plywood or special material doors because of the secure anchorage it provides. Six nylon wheels assure smooth, quiet performance of every door. Concealed track and hangers require 1" headroom only.

- Use with Extruded Aluminum **C-650 Track**, 6063T5 Alloy
- Load capacity **75 lbs. (two hangers)**



C-650 COMPLETE KIT FOR 2 DOORS

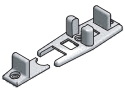
COMPLETE KITS AVAILABLE FOR DOOR WIDTHS FROM 24" [610MM] TO 72" [1829MM], AND WITH HARDWARE FOR 2 DOORS.



- 1 - C-650 TRACK
LENGTH: 2 X DOOR WIDTH
(EXAMPLE: 36" [914MM] DOOR = 72" [1829MM] TRACK)



- 4 - C-650 HANGERS COMPLETE WITH EXPANSION SLEEVES



- 1 - C-1205 SELF ALIGNING FLOOR GUIDES COMPLETE WITH SCREWS

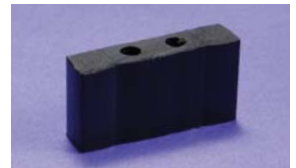
OPTIONAL PRODUCTS



CDSM-1 Side-Mount Bracket. (See page 68 for more details).



C-23, C-25, C-70, C-75 Door Pulls. (See page 72 for more details).



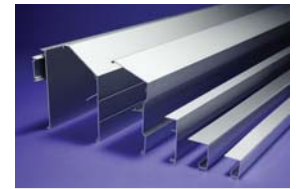
C-100 In-track Stop. (See page 69 for more details).



C-200 Guide, C-200D-138 Double Roller Guide or C-200B Spring Loaded Guide & C-201 Guide Channel. (See page 71 for more details).

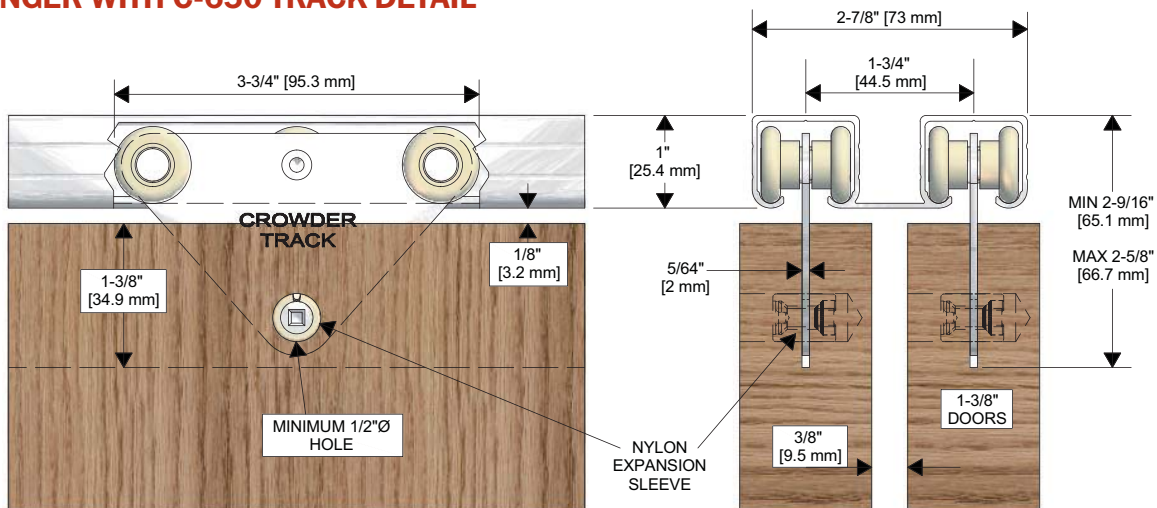


C-238 or C-238S Guide Threshold. (See page 71 for more details).



Optional Fascias. (See page 67 for more details).

C-650 HANGER WITH C-650 TRACK DETAIL



DUAL TRACK BY-PASS SYSTEMS

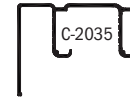
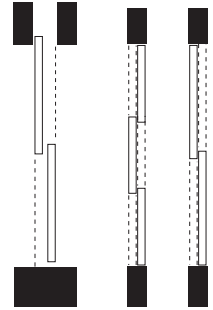
LIGHT DUTY

C-2025 OR C-2035 WITH FASCIA C-2025 OR C-2035 TRACK

By simply interchanging the mounting of the hangers either 3/4" [19.1mm] or 1-3/8" [34.9mm] doors may be used. Slotted holes on hanger permit vertical adjustment. Available with plain track or track with built-in fascia, therefore reducing time and labour for the construction of a bulkhead or valance.

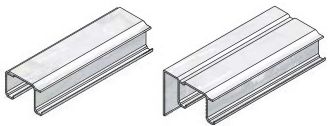
- Use with Extruded Aluminum **C-2025 Track**, 6063T5 Alloy
- Or use with Extruded Aluminum **C-2035 Fascia Track**, 6063T5 Alloy
- Load capacity **60 lbs. per door (two hangers)**

Up to 60 lbs. per hanger

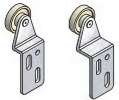


C-2025 OR C-2035 COMPLETE KIT FOR 2 DOORS

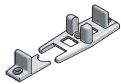
COMPLETE KITS AVAILABLE FOR DOOR WIDTHS FROM 24" [610MM] TO 72" [1829MM], AND WITH HARDWARE FOR 2 DOORS.



1 - C-2025 OR C-2035 TRACK
LENGTH: 2 X DOOR WIDTH
(EXAMPLE: 36" [914MM] DOOR = 72" [1829MM] TRACK)



1 SET - C-2025 HANGERS (3/8" [9.5MM] OFFSET [2] & 5/8" [15.9MM] OFFSET [2] COMPLETE WITH SCREWS

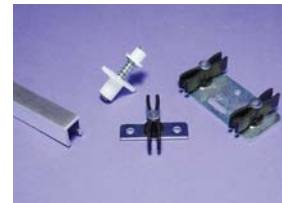


1 - C-1205 SELF ALIGNING FLOOR GUIDES COMPLETE WITH SCREWS

OPTIONAL PRODUCTS



C-99 Rubber Dome Bumper. (See page 69 for more details).



C-200 Guide, C-200D-138 Double Roller Guide or C-200B Spring Loaded Guide & C-201 Guide Channel. (See page 71 for more details).



C-238 or C-238S Guide Threshold for 1-3/8" [34.9mm] Doors only. (See page 71 for more details).



C-2500 (Flat)



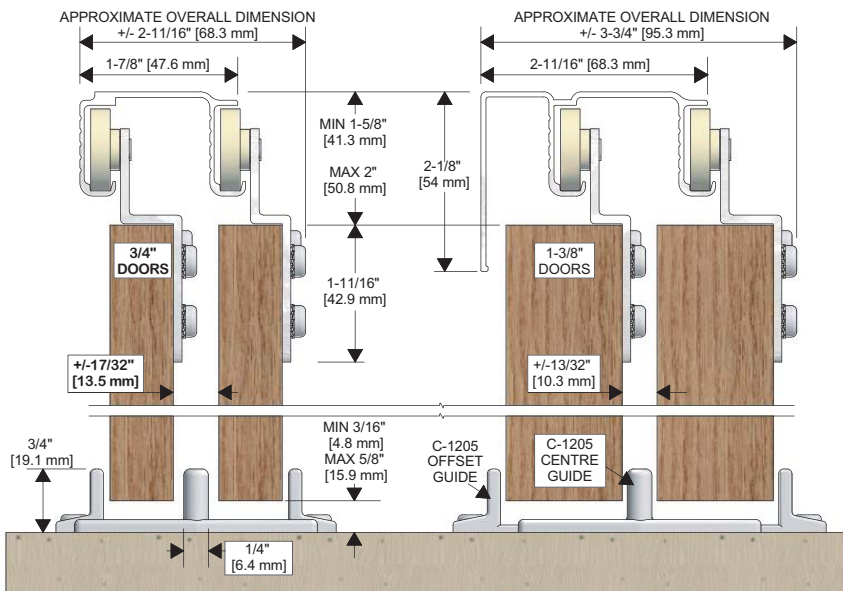
C-2538 (3/8" [9.5mm] offset)



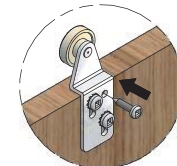
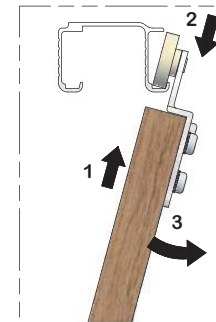
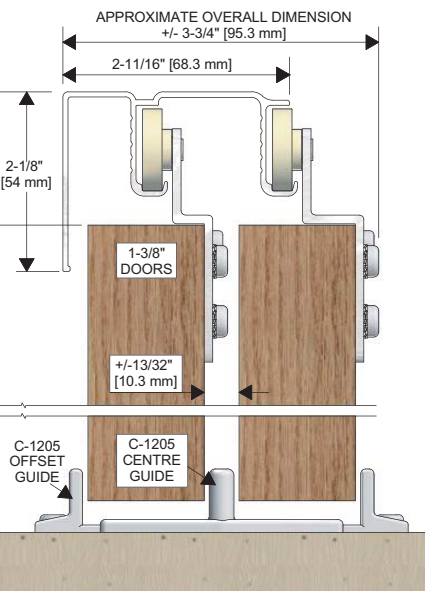
C-2558 (5/8" [15.9mm] offset)

Hangers with Precision Ball Bearings also Available:

C-2025 SERIES DETAIL WITH 3/4" [19.1MM] DOORS ILLUSTRATED



C-2035 WITH FASCIA SERIES DETAIL WITH 1-3/8" [34.9MM] DOORS ILLUSTRATED



BI-FOLD & PIVOTING SYSTEMS

HEAVY-DUTY (CENTER PIVOT)

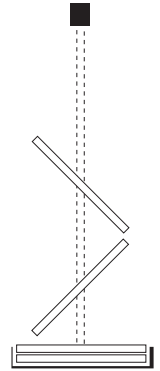
C-180HD HANGER

C-975 TRACK

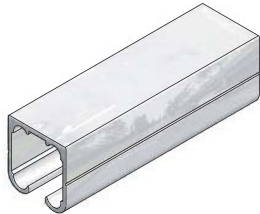
Folding door pivoting hanger for use with **C-975 Track**. Two wheel dual-thrust bearing hanger for heavy-duty folding door conditions or room partition systems requiring smooth dependable operation. Folding room dividers can be created, utilizing parallel back-to-back storage, against a wall or within hide away enclosures. Top plate can be surface mounted or recessed, as required.

- Use with Extruded Aluminum **C-975 Track**, 6061T6 Alloy
- Load capacity **250 lbs. per panel/leaf**

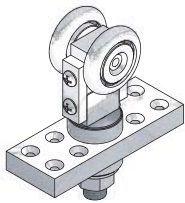
Up to
250 lbs.
per panel



PRODUCTS REQUIRED:

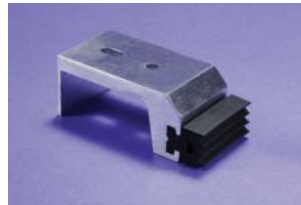


1 - C-975 TRACK X REQUIRED LENGTH (OPENING WIDTH, PLUS POCKET IF NECESSARY)

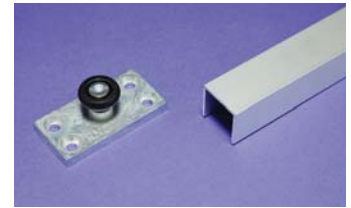


1 - C-180HD HANGER COMPLETE WITH EIGHT SCREWS PER DOOR

OPTIONAL PRODUCTS



C-100HD Stop.
(See page 69 for more details).

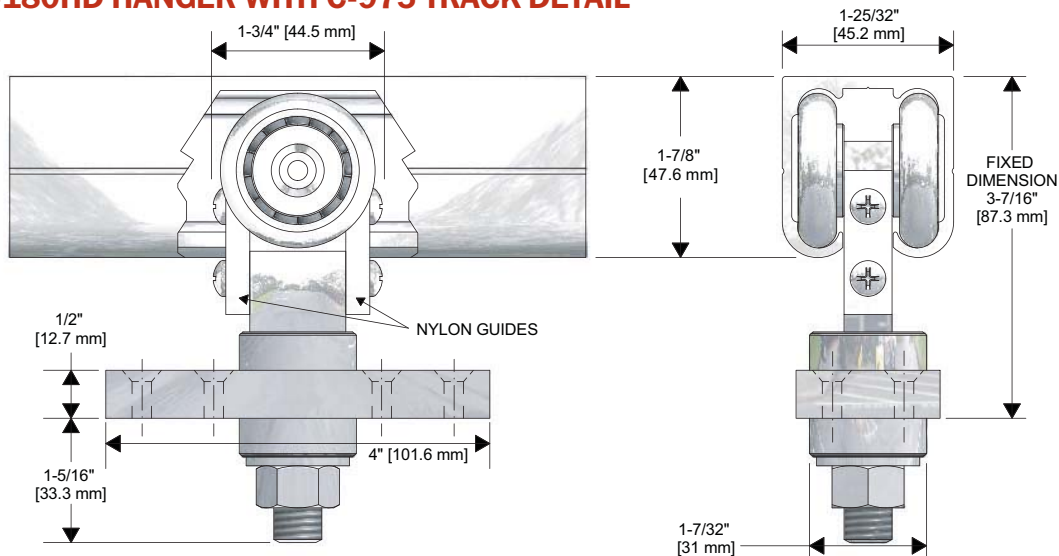


C-913 Guide & C-914 Guide channel.
(See page 70 for more details).



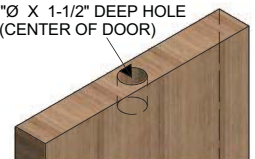
C-913SL Spring Loaded Guide.
(See page 70 for more details).

C-180HD HANGER WITH C-975 TRACK DETAIL



NOTE: NO HEIGHT ADJUSTMENT

MINIMUM
1-1/4"Ø X 1-1/2" DEEP HOLE
(CENTER OF DOOR)



CAUTION:
IN OPERATION DOORS
MUST BE MOVED
INDIVIDUALLY

BI-FOLD & PIVOTING SYSTEMS

HEAVY-DUTY

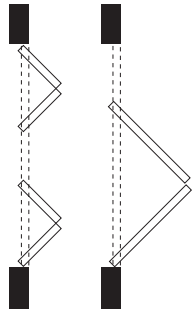
new

C-515 QUICK RELEASE PIVOT KIT C-204 TRACK

This kit includes a **C-510** heavy-duty pivot complete with thrust bearings for extra heavy load. The top pivot clamps onto the track and new top plates reduce costs of prepping doors. The **C-996** Quick Release Hanger (supplied) has a quick disconnect stud which allows hanger body and stud to be inserted into the track while mounting. The top plate is mounted to the top of door and then clips into the quick disconnect stud, thus reducing installation time. Hinges by others.

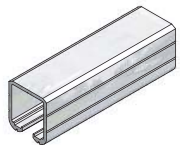
- Use with Extruded Aluminum **C-204 Track**, 6061T6 Alloy
- Load capacity **150 lbs. per panel/leaf.**

Up to 150 lbs. per panel



C-515 COMPLETE KIT FOR 2 DOORS BI-FOLDING

BI-FOLDING KITS AVAILABLE FROM 48" [1219MM] TO 144" [3658MM] TRACK WIDTH AND UP TO 4 DOORS.



C-204 TRACK X LENGTH (OPENING WIDTH) (1)



C-996 HANGER (1)



C-510-1 TOP PIVOT PLATE (1)



C-515-2 QUICK DISCONNECT STUD (1)



3/8" HEX NUT (1)



C-515-1 TOP PLATE (1)



C-510-2 TRACK CLAMP (1)



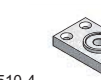
C-515-4 TOP PIVOT STUD (1)



C-515-5 LOCK NUT (2)



C-515-3 DOOR PLATE (2)



C-510-4 BOTTOM PIVOT PLATE WITH THRUST BEARING (1)



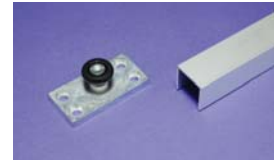
C-515 ADJUSTMENT ROD (1)



5/16 X 1" HEX SOC CAP SCREW (2)

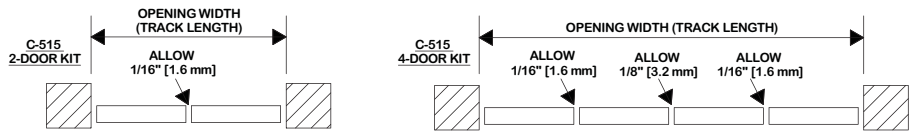
KITS COME COMPLETE WITH SCREWS

OPTIONAL PRODUCTS

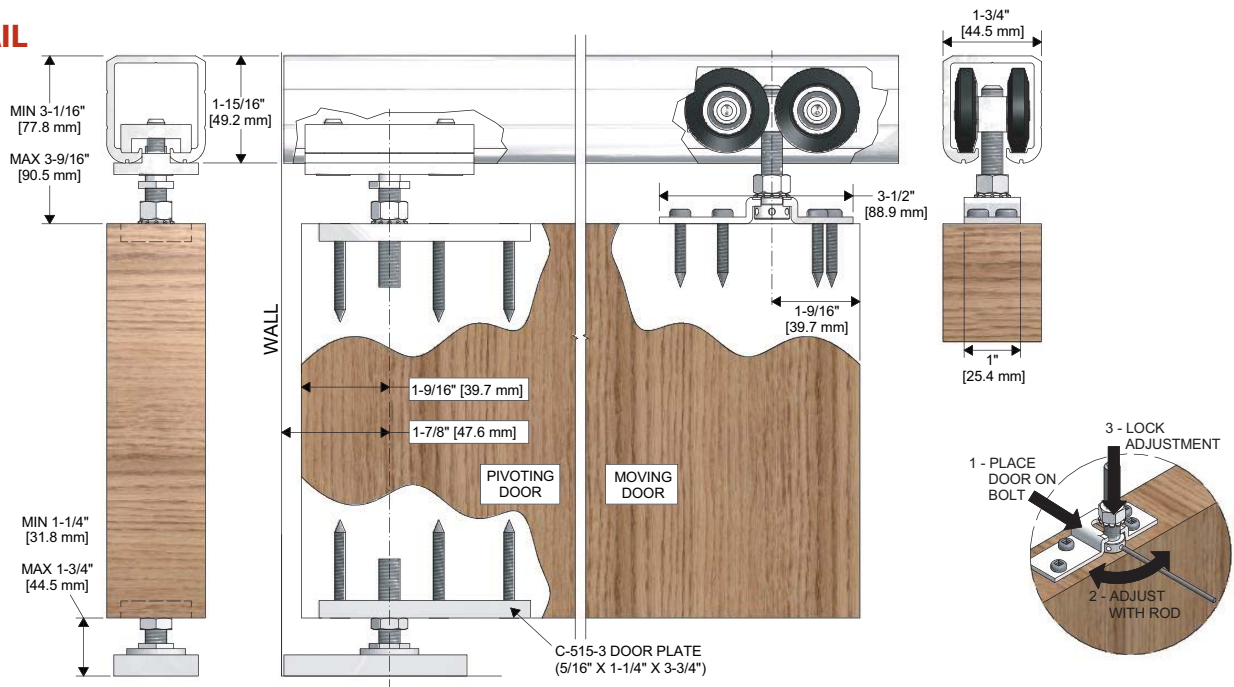


C-913 Guide & C-914 Guide Channel. (See page 70 for more details)

PLAN VIEWS SHOWING CLEARANCE BETWEEN DOORS



C-515 DETAIL



Bi-fold & Pivot Systems

BI-FOLD & PIVOTING SYSTEMS

MEDIUM TO HEAVY-DUTY

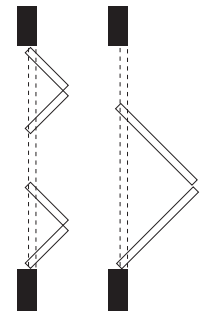
new

C-415 QUICK RELEASE PIVOT KIT C-104 TRACK

This kit includes a **C-410** heavy-duty pivot complete with thrust bearings for extra heavy load. The top pivot clamps onto the track and new top plates reduce costs of prepping doors. The **C-993** Quick Release Hanger (supplied) has a quick disconnect stud which allows hanger body and stud to be inserted into the track while mounting. The top plate is mounted to the top of door and then clips into the quick disconnect stud, thus reducing installation time. Hinges by others.

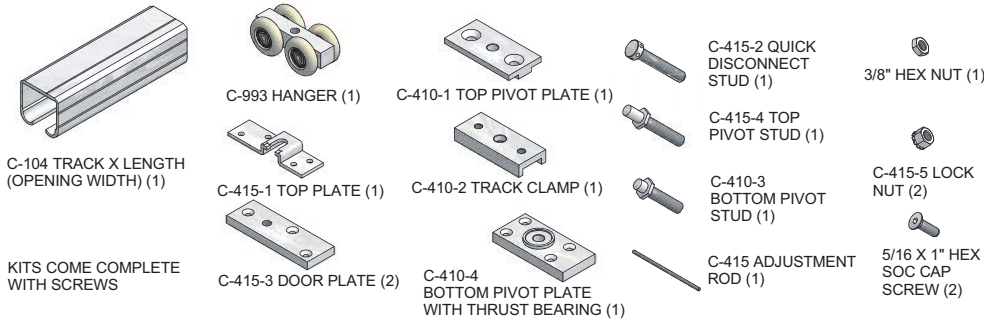
- Use with Extruded Aluminum **C-104 Track**, 6063T5 Alloy
- Load Capacity **120 lbs. per panel/leaf**.

Up to
120 lbs.
per panel

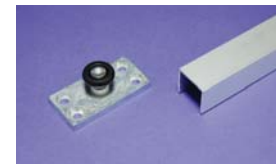


C-415 COMPLETE KIT FOR 2 DOORS BI-FOLDING

BI-FOLDING KITS AVAILABLE FROM 48" [1219MM] TO 144" [3658MM] TRACK WIDTH AND UP TO 4 DOORS.

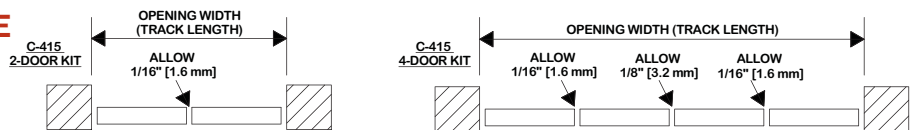


OPTIONAL PRODUCTS

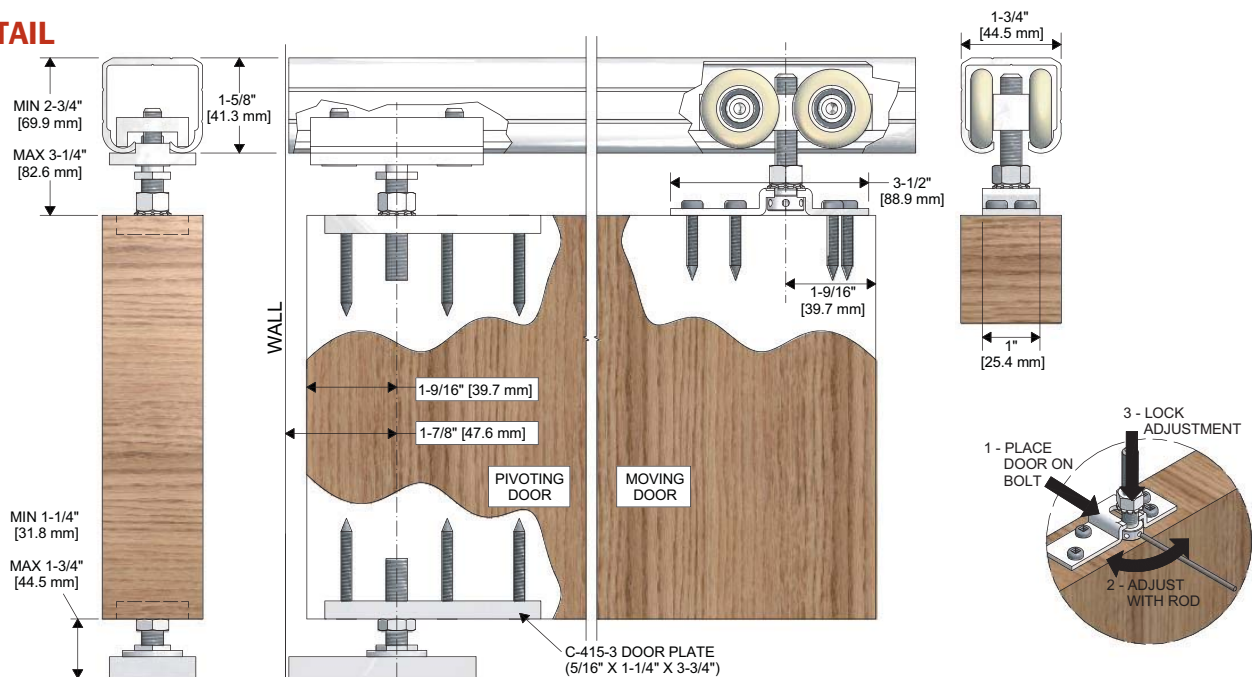


C-913 Guide & C-914 Guide Channel. (See page 70 for more details)

PLAN VIEWS SHOWING CLEARANCE BETWEEN DOORS



C-415 DETAIL



Bi-fold & Pivot Systems

BI-FOLD & PIVOTING SYSTEMS

HEAVY-DUTY

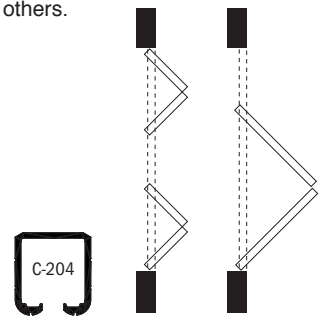
new

C-510 PIVOT KIT C-204 TRACK

This new improved pivot complete with thrust bearings for extra heavy load. The top pivot clamps onto the track and new top plates reduce costs of prepping doors. The **C-995-FP** hanger (supplied) uses the same top plate as pivot end. Hinges by others.

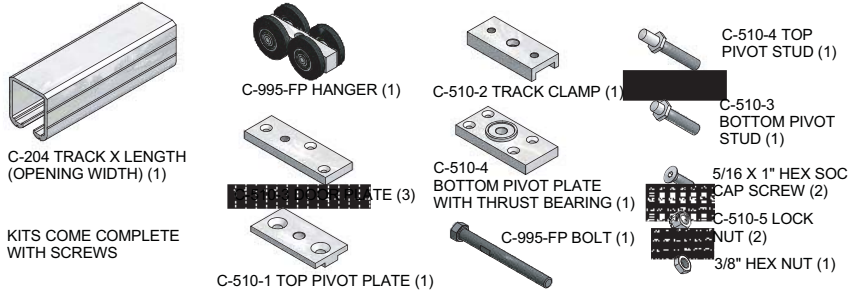
- Use with Extruded Aluminum **C-204 Track**, 6061 T6 Alloy
- Load capacity **200 lbs. per panel/leaf**.

Up to 200 lbs. per panel



C-510 COMPLETE KIT FOR 2 DOORS BI-FOLDING

BI-FOLDING KITS AVAILABLE FROM 48" [1219MM] TO 144" [3658MM] TRACK WIDTH AND UP TO 4 DOORS.

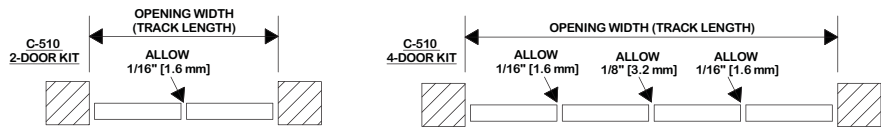


OPTIONAL PRODUCTS

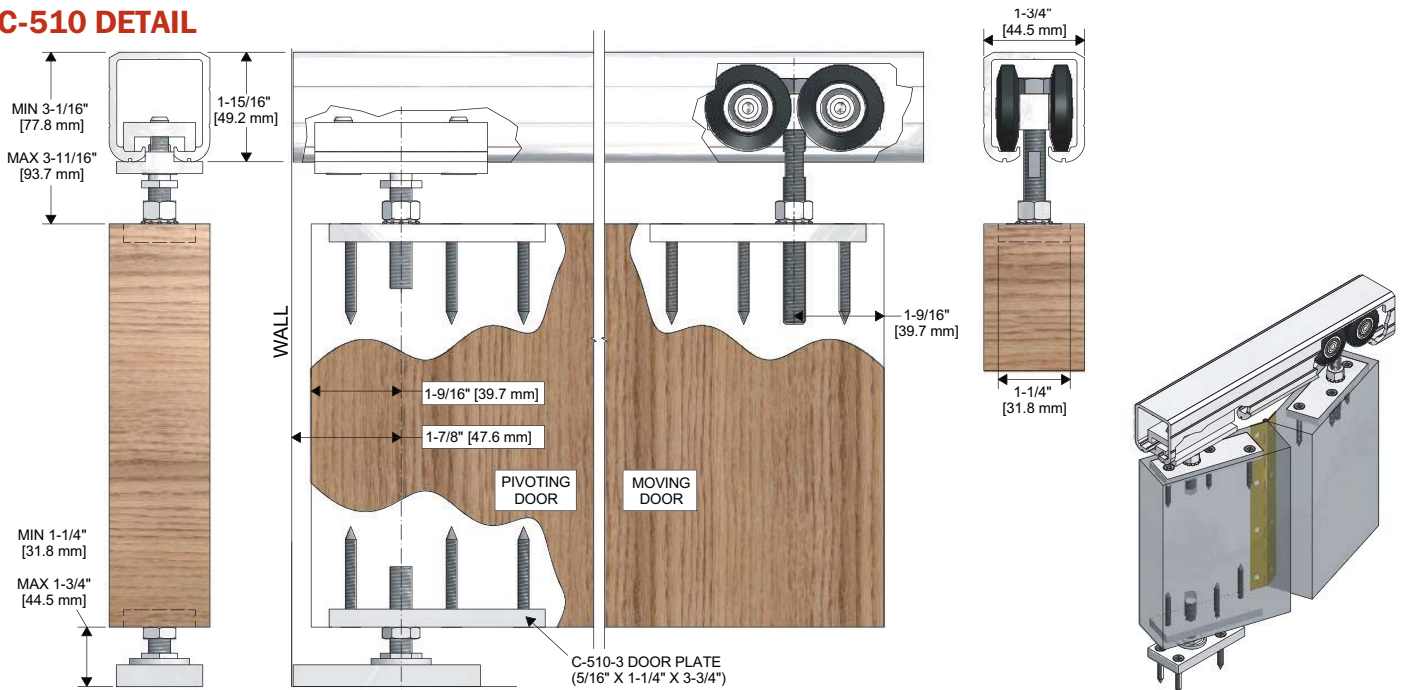


C-913 Guide & C-914 Guide channel. (See page 70 for more details).

PLAN VIEWS SHOWING CLEARANCE BETWEEN DOORS



C-510 DETAIL



BI-FOLD & PIVOTING SYSTEMS

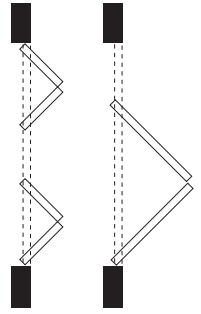
MEDIUM TO HEAVY-DUTY

new
& IMPROVED!

C-410 PIVOT KIT C-104 TRACK

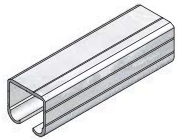
This new improved pivot complete with thrust bearings for extra heavy load. The top pivot clamps onto the track and new top plates reduce costs of prepping doors. The **C-994-FP** hanger (supplied) uses the same top plate as pivot end. Hinges by others.

- Use with Extruded Aluminum **C-104 Track**, 6063T5 Alloy
- Load Capacity **150 lbs. per panel/leaf.**



C-410 COMPLETE KIT FOR 2 DOORS BI-FOLDING

BI-FOLDING KITS AVAILABLE FROM 48" [1219MM] TO 144" [3658MM] TRACK WIDTH AND UP TO 4 DOORS.



C-104 TRACK X LENGTH (OPENING WIDTH) (1)

KITS COME COMPLETE WITH SCREWS



C-994-FP HANGER (1)



C-410-3 DOOR PLATE (3)



C-410-1 TOP PIVOT PLATE (1)



C-410-2 TRACK CLAMP (1)



C-410-4 BOTTOM PIVOT PLATE WITH THRUST BEARING (1)



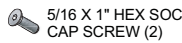
C-994-FP BOLT (1)



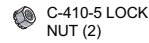
C-410-4 TOP PIVOT STUD (1)



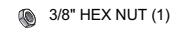
C-410-3 BOTTOM PIVOT STUD (1)



5/16 X 1" HEX SOC CAP SCREW (2)

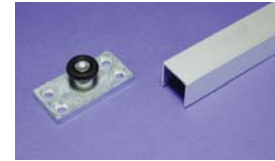


C-410-5 LOCK NUT (2)



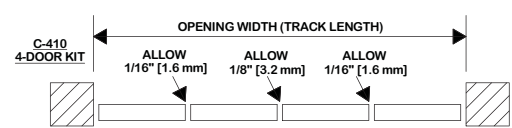
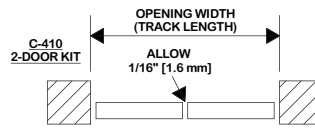
3/8" HEX NUT (1)

OPTIONAL PRODUCTS

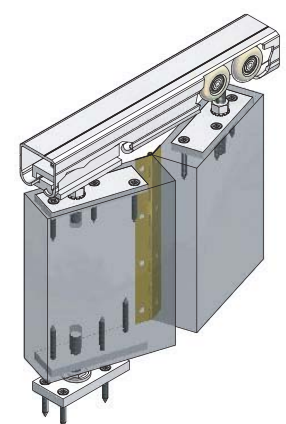
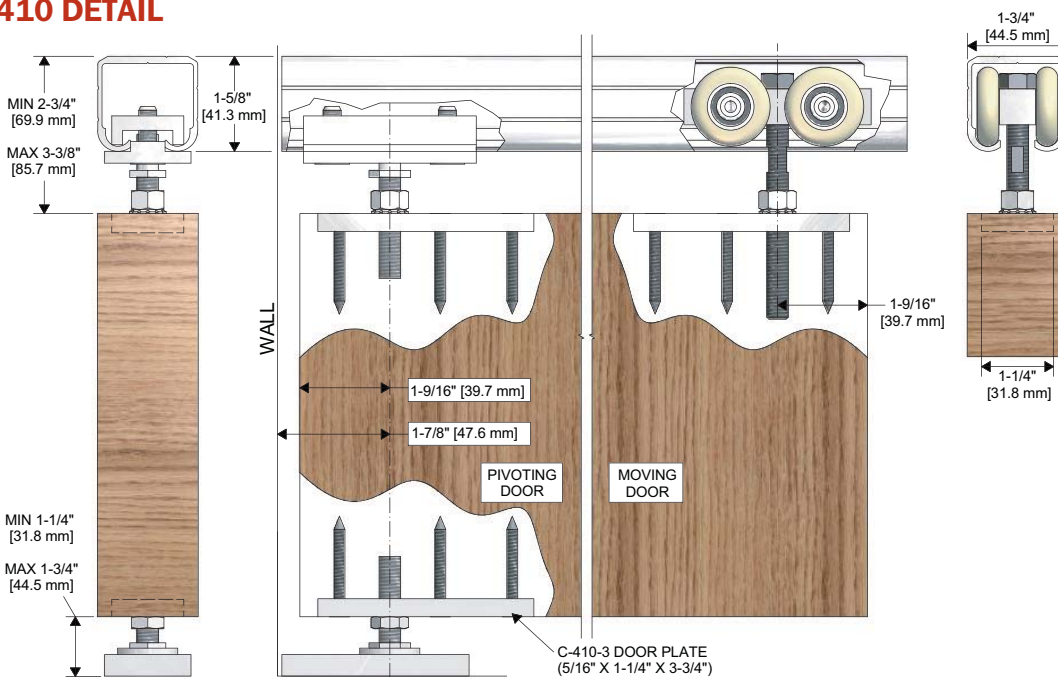


C-913 Guide & C-914 Guide Channel. (See page 70 for more details)

PLAN VIEWS SHOWING CLEARANCE BETWEEN DOORS



C-410 DETAIL



BI-FOLD & PIVOTING SYSTEMS

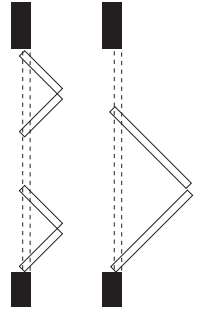
MEDIUM DUTY

CF-115 FOLDING DOOR HARDWARE

This series of folding door hardware is for medium weight bi-fold doors that are in constant use. **CF-115** pivot hanger has four ball bearing wheels with nylon tires. Maximum door height equals floor to header less 3" [76.2mm]. Minimum door height equals floor to header less 4" [101.6mm]. Hinges by others.

- Use with Extruded Aluminum **CF-115 Track**, 6063T5 Alloy
- Load capacity **50 lbs. per panel/leaf**
- All **CF-115** pivot parts are sturdy aluminum extrusion or steel

Up to 50 lbs. per panel

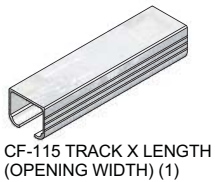


CF-115



CF-115 COMPLETE KIT FOR 2 DOORS BI-FOLDING

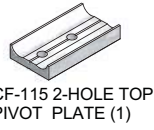
BI-FOLDING KITS AVAILABLE FROM 48" [1219MM] TO 144" [3658MM] TRACK WIDTH AND UP TO 4 DOORS.



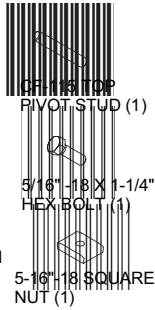
CF-115 TRACK X LENGTH (OPENING WIDTH) (1)



CF-115 HANGER (1)



CF-115 2-HOLE TOP PIVOT PLATE (1)



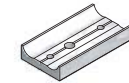
CF-115 TOP PIVOT STUD (1)



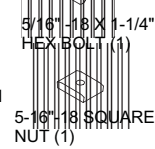
CF-115 BOTTOM PIVOT STUD (1)



CF-115 ANGLE BRACKETS (3)



CF-115 3-HOLE BOTTOM PIVOT PLATE (1)



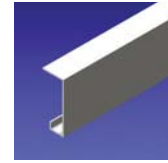
5/16" - 18 X 1-1/4" HEX BOLT (1)



5/16" HEX NUT (3)

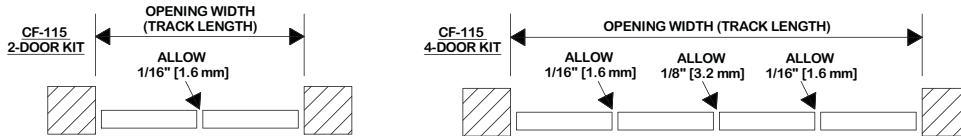
KITS COME COMPLETE WITH SCREWS

OPTIONAL PRODUCTS

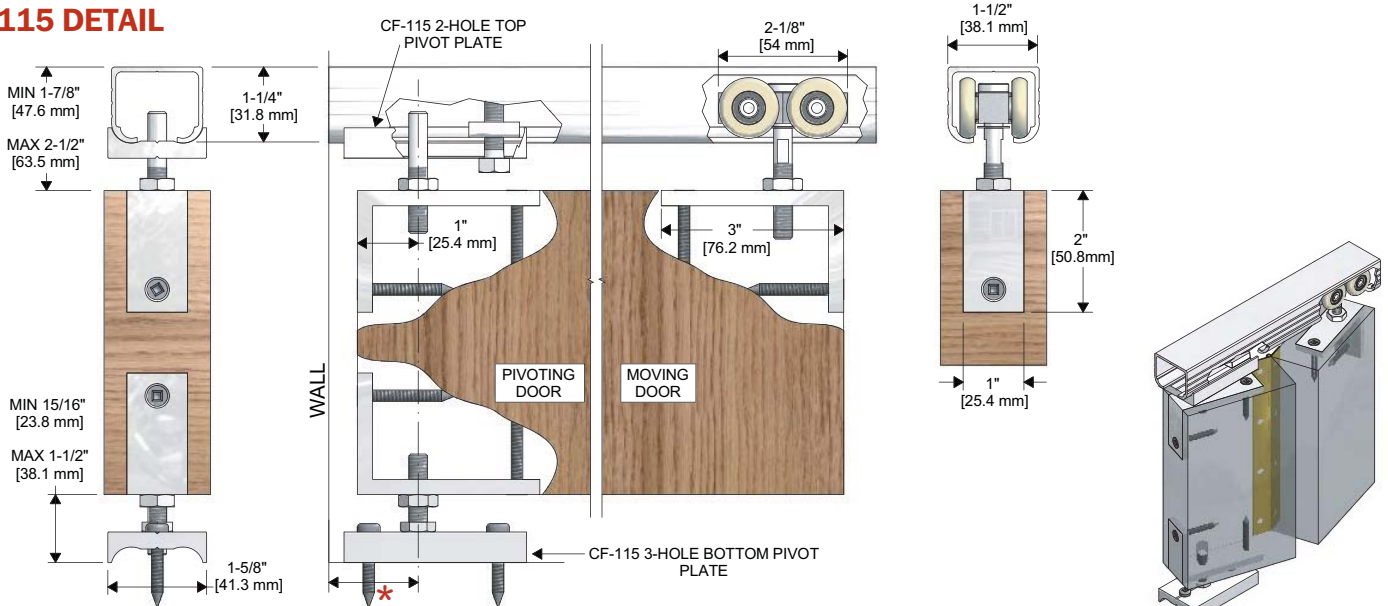


C-175 Fascia. (See Page 67 for more details).

PLAN VIEWS SHOWING CLEARANCE BETWEEN DOORS



CF-115 DETAIL



* 1-1/4" FOR 1-3/8" DOOR THICKNESS

* 1-3/8" FOR 1-3/4" DOOR THICKNESS

BI-FOLD & PIVOTING SYSTEMS

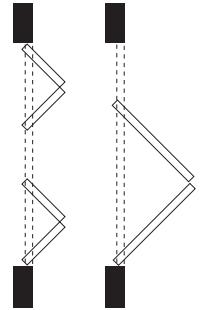
LIGHT DUTY

CF-100 FOLDING DOOR HARDWARE

Easily mounted hardware features nylon wheel for smooth horizontal action in aluminum track. Spring-loaded pivot and nylon bushings in all moving parts make for silent, easy action. Brackets are adjustable for plumb. Ideal for light or louvre type doors. Maximum door height equals floor to header less 2" [50.8mm]. Minimum door height equals floor to header less 3" [76.2mm]. Hinges by others.

- Use with Extruded Aluminum **CF-100 Track**, 6063T5 Alloy
- Load capacity **20 lbs. per panel/leaf**

Up to 20 lbs. per panel



CF-100 COMPLETE KIT FOR 2 DOORS BI-FOLDING

BI-FOLDING KITS AVAILABLE FROM 48" [1219MM] TO 144" [3658MM] TRACK WIDTH AND UP TO 4 DOORS.



CF-100 TRACK X LENGTH (OPENING WIDTH) (1)

KITS COME COMPLETE WITH SCREWS



CF-100-3 TOP SPRING LOADED PIVOT (1)



CF-100-5 ANGLE BRACKET (1)



CF-100-6 NYLON WHEEL GUIDE (1)



CF-100-2 TOP PIVOT PLATE (1)



CF-100-5 BOTTOM PIVOT PLATE (1)



CF-100 NYLON "T" BEARING (2)



CF-100-4 PIVOT STUD (1)



CF-100 NYLON STEP NUT (2)



#10-24 X 1/4" FLANGED HEX HEAD SCREW (2)

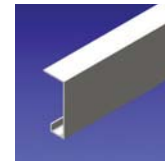


5/16" EXTERNAL TOOTH LOCK WASHER (2)



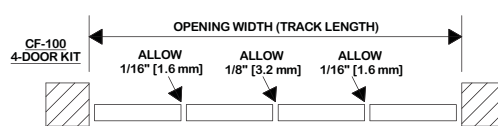
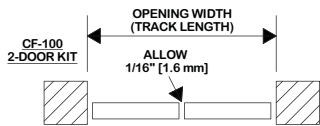
5/16" HEX NUT (2)

OPTIONAL PRODUCTS

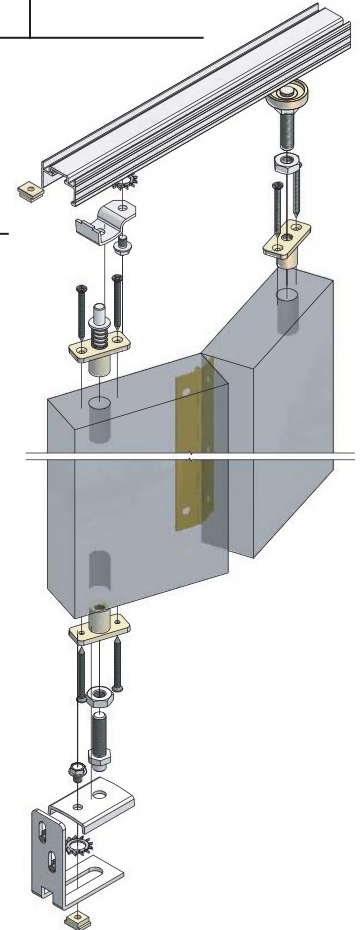
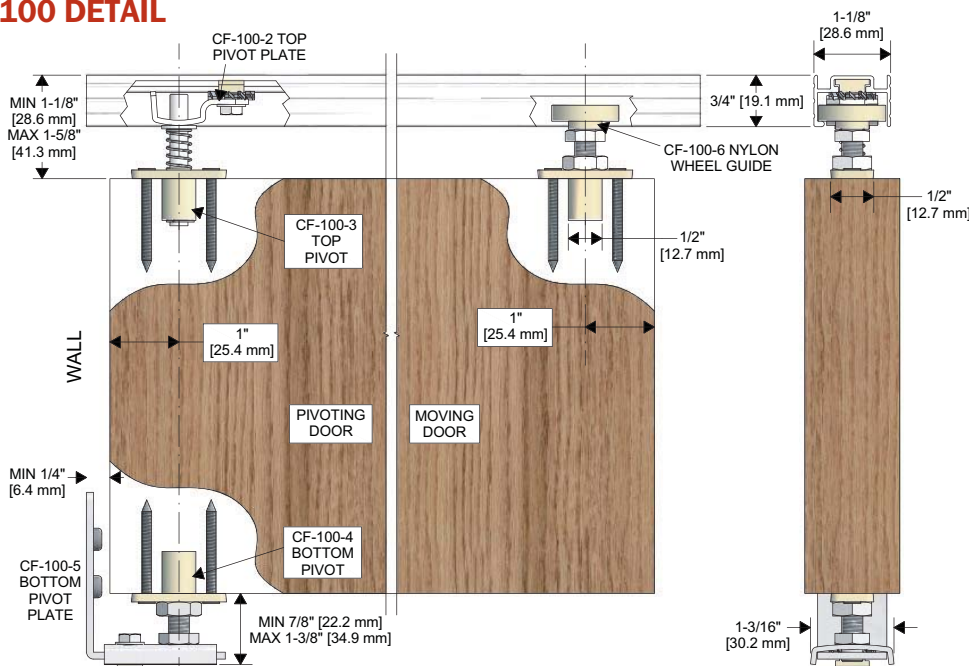


C-118 Fascia. (See Page 67 for more details).

PLAN VIEWS SHOWING CLEARANCE BETWEEN DOORS



CF-100 DETAIL



BI-FOLD & PIVOTING SYSTEMS

TRACKLESS PIVOTS

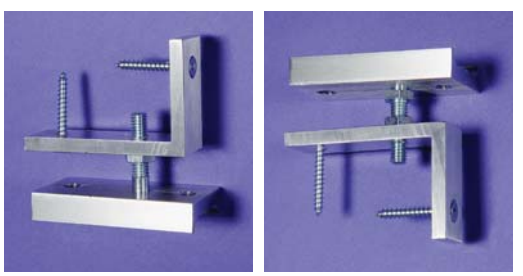
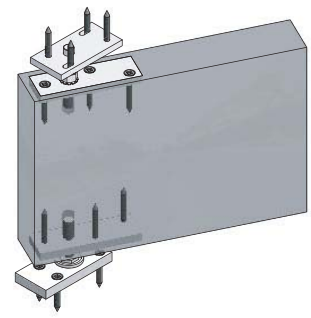
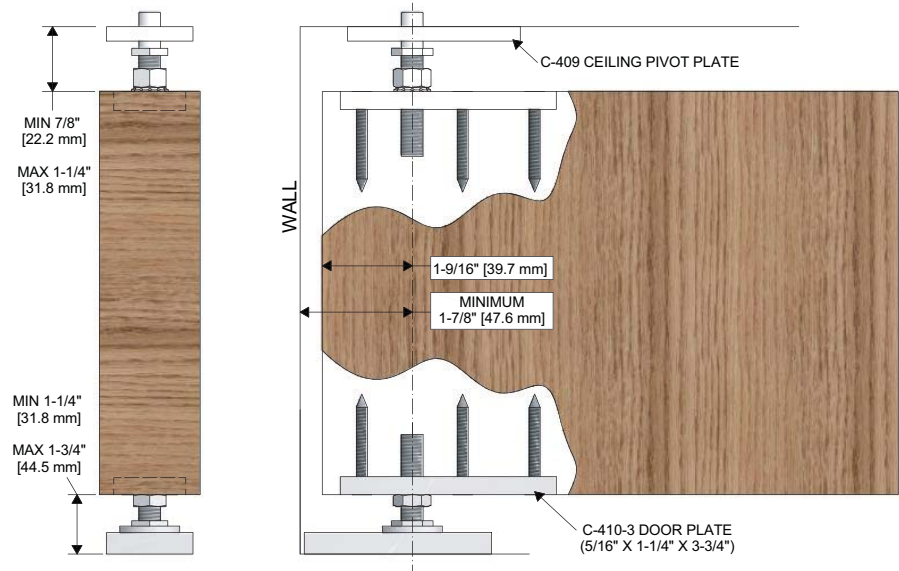
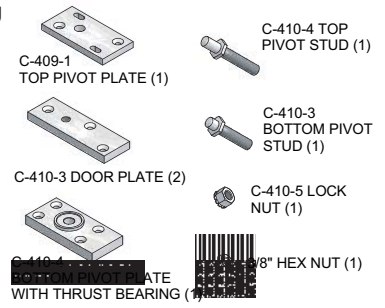
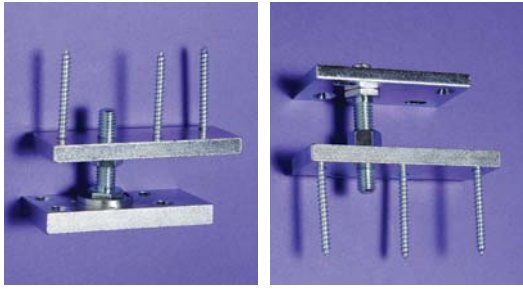
new

C-409 HEAVY-DUTY TRACKLESS PIVOT

The **C-409** Heavy-Duty Trackless Pivot Kit features all-steel zinc plated mounting plates along with thrust bearing on the bottom pivot plate which allows for door capacity up to 200lbs.

C-409 kit includes: 2 - **C-410-3** Door plates (can be recessed or mounted on door), 1 - **C-410-4** Bottom Pivot Plate with Thrust Bearing, 1 - **C-409-1** Ceiling plate, and necessary screws, studs, and nuts.

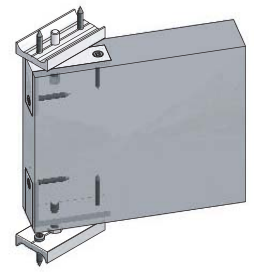
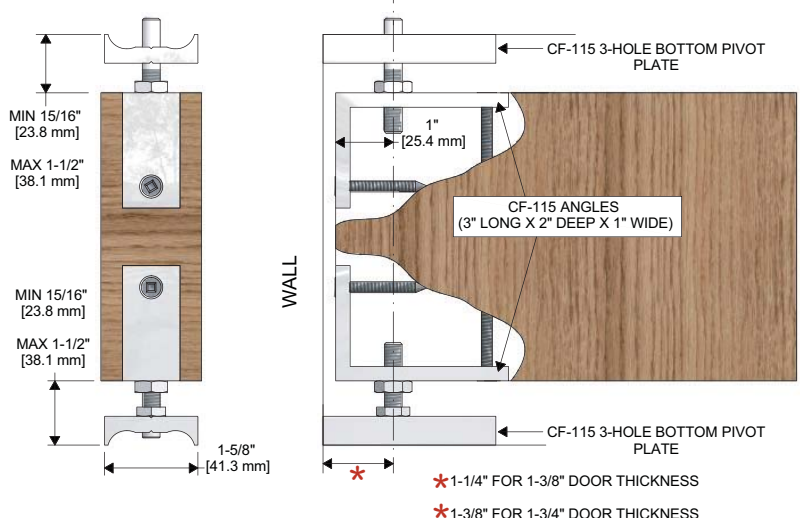
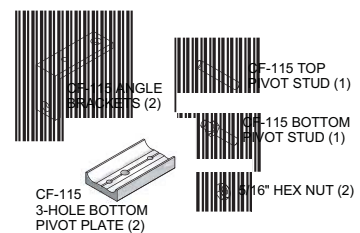
Up to 200 lbs. per door



CF-116 MEDIUM TO LIGHT DUTY TRACKLESS PIVOT

The **CF-116** Medium to Light Duty Trackless Pivot Kit features Angle Brackets to be router and recessed in the door. This kit has a door capacity up to 50lbs. **CF-116** Kit includes: 2 - **CF-115** Angle Brackets, 2 - **CF-115** 3-Hole Bottom Pivot Plate (one for top), and necessary screws, studs, and nuts.

Up to 50 lbs. per door



*1-1/4\"/>

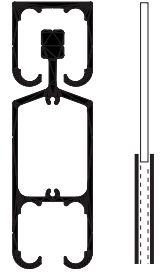
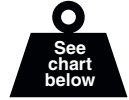
CROWDER DISPLAY SYSTEMS

HEAVY-DUTY SPECIAL

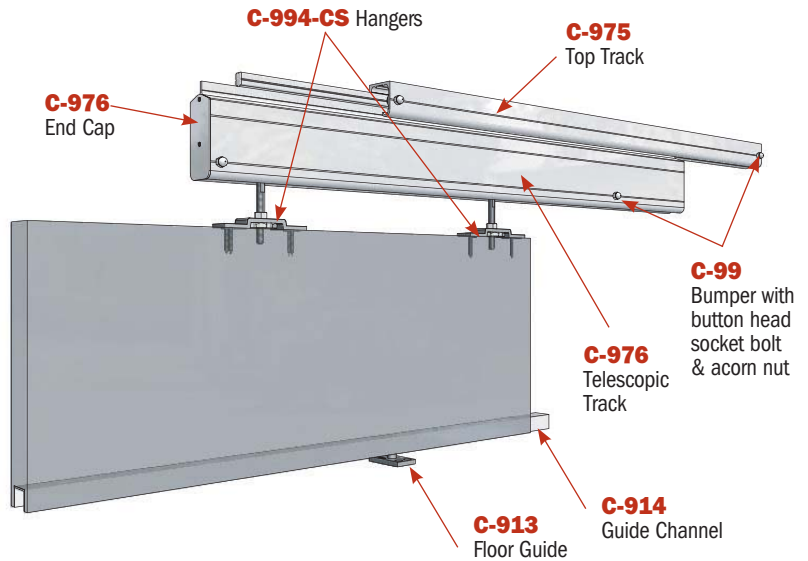
CROWDSLIDE TELESCOPING DOOR SYSTEM

The **CROWDSLIDE** system is a heavy-duty telescoping track system allowing individual panels to slide in and out, to view the elements on display.

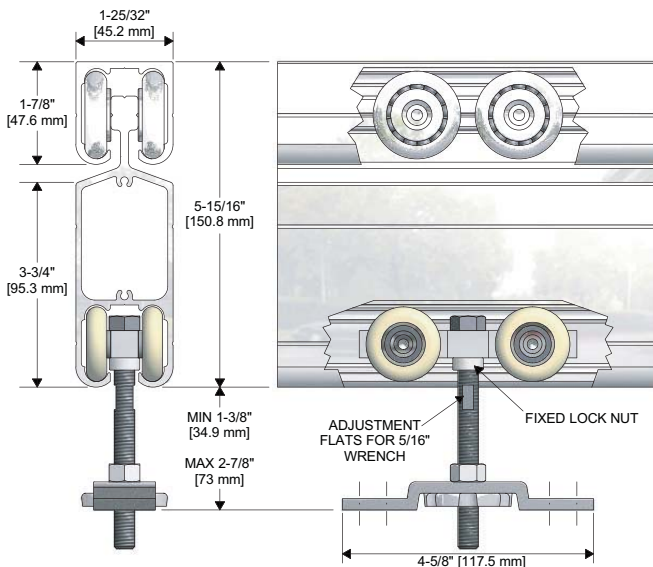
- **For retail display**, the system may display doors and door frames, slatwall, or building materials, maximizing use of expensive floor space.
- **Mounted in a sturdy frame** (by others), panels can be organized to minimize the space between them.
- **Manufactured to suit custom application requirements.** The Installation shown at left, produced 1600 sq. ft. [148.6 sq. m.] of display within 160 sq. ft. [14.9 sq. m.] of floor space.



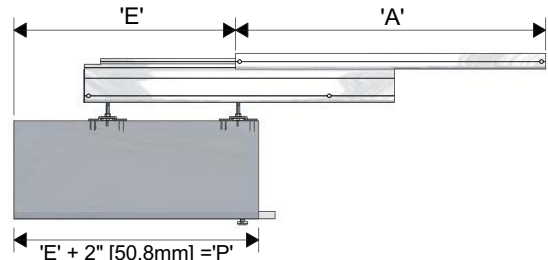
CROWDSLIDE COMPLETE



CROWDSLIDE DETAIL



CROWDSLIDE TELESCOPIC TYPICAL LAYOUT



PANEL WIDTH ('P')	EXTENSION LENGTH ('E')	OVERALL LENGTH ('A')	LOAD RATING*
36" [914mm]	34" [864mm]	44" [1118mm]	160 LBS
48" [1219mm]	46" [1168mm]	56" [1422mm]	150 LBS
60" [1524mm]	58" [1473mm]	70" [1778mm]	130 LBS
72" [1829mm]	70" [1778mm]	82" [2083mm]	90 LBS

*DOORS EXCEEDING THE WEIGHT SPECIFIED MUST BE INSTALLED WITH A FRONT END CASTER. CUSTOMER IS RESPONSIBLE FOR STRUCTURAL SUPPORT AND COUNTERBALANCE.
NOTE: EXTENSION LENGTH WILL ALWAYS BE 2" [50.8mm] LESS THAN PANEL WIDTH.

CROWDER DISPLAY new

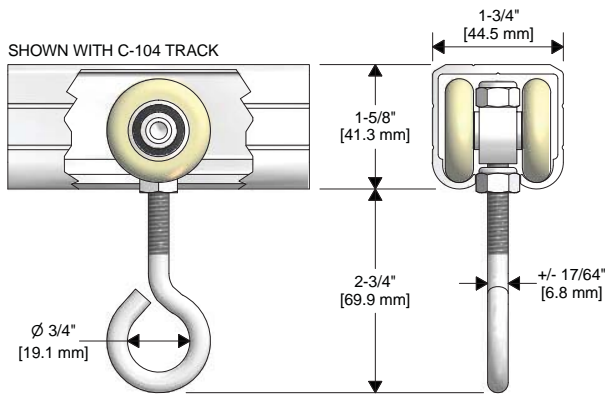
CUSTOM CROWDER DISPLAY HANGERS

C-182 HD CURTAIN HANGER

KNC's **C-182 HD** Curtain Hanger is ideal for applications using heavy curtains that our **CR-101** series cannot carry. Example applications are: for work areas with heavy curtains, sliding tools and stacking displays. Reduces stacking area in small spaces because of its two-wheel system. For use with our **C-104** or **C-108** Track. **C-104** can be curved with a 24" [610mm] minimum radius.

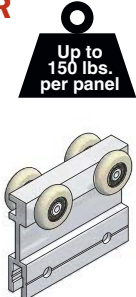


Up to 75 lbs. per carrier

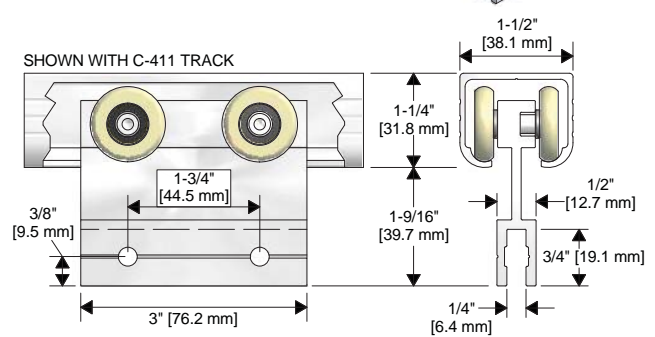


CPH-1 PANEL DISPLAY HANGER

Crowder Panel Hanger (CPH) is ideal for showroom product display panels. Required panel thickness is 1/4" [6.4mm]. For use with our **C-411** or **C-412** Track only. Continuous CPH Hangers can also be fabricated for full door widths. Please contact customer service for more information.

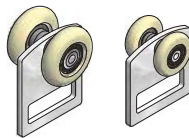


Up to 150 lbs. per panel



CARPET DISPLAY HANGERS

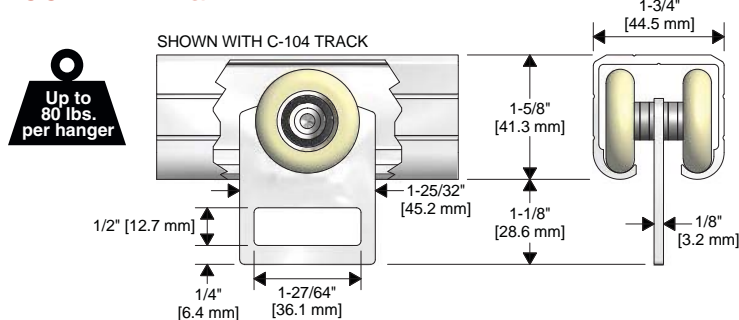
Crowder Carpet Hangers (CCH) are also ideal for showroom product display panels. The CCH hangers got their start when a retail store needed to show the different types of carpets available while keeping the space required to display its products to a minimum. **CCH-1** can be used with **C-104** or **C-108** Track. **CCH-2** can be used with **C-411** or **C-412** Track.



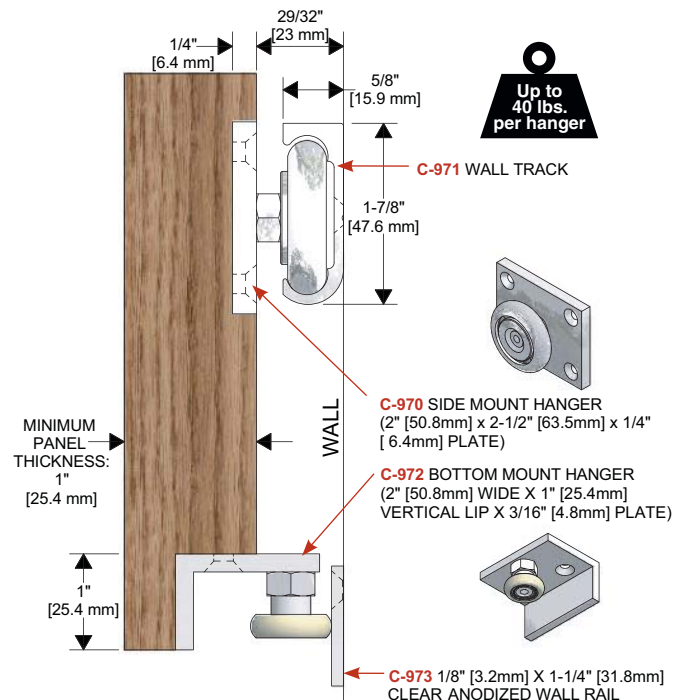
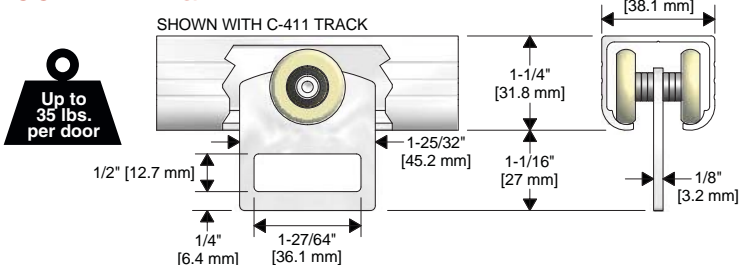
HIDDEN HARDWARE FOR DOOR PANELS

Crowder's Hidden Hardware for Door Panels is a great way to showcase multiple products on a door while keeping the visibility of sliding track & hardware to a minimum. The only products that would be visible using our Hidden Hardware system are the **C-971** Wall Track and **C-973** Wall Rail. The **C-971** & **C-973** are available in Clear or Bronze Anodized Finish to help blend in with the background.

CCH-1 HANGER



CCH-2 HANGER



CROWDER DISPLAY SYSTEMS

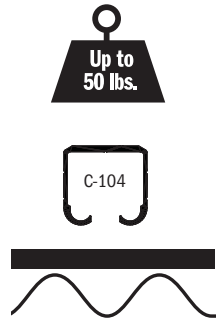
SPECIAL

FESTOONING SYSTEMS



KNCrowder offers a complete line of cable carriers and festooning systems.

- Our carriers are for cables or hoses attached with tape, cable ties or nylon tapes. This system is widely in use throughout the world.
- All tracks are rustproof extruded aluminum in lengths of up to 24' [7.32m].
- Precision Ball Bearing, Nylon tire wheels.
- Track brackets available for ease of installation.



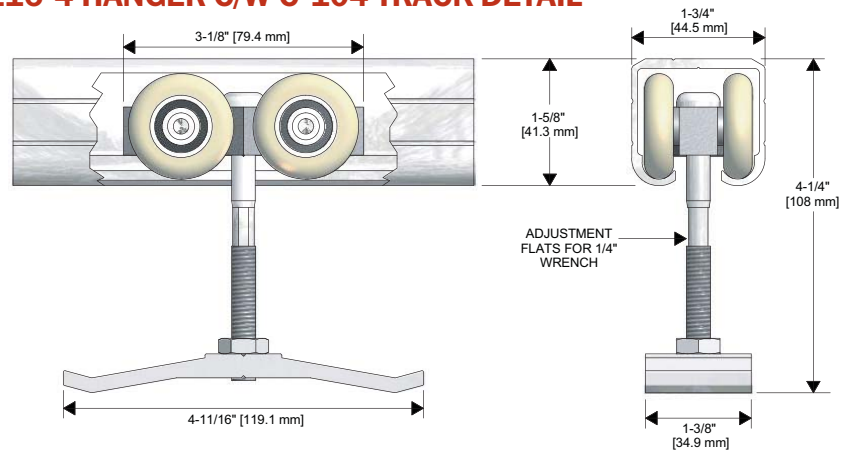
C-116-4

Design of top plate allows for easy attachment of all types of cable and hose.

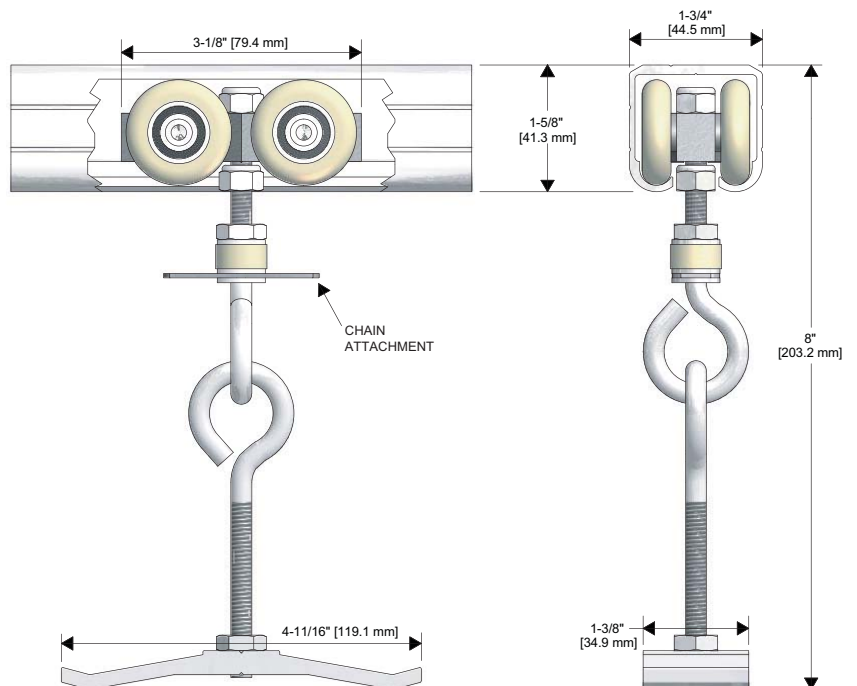
- To be used with **C-104 Track** or **C-108 Track**.



C-116-4 HANGER C/W C-104 TRACK DETAIL



C-416-4 HANGER C/W C-104 TRACK DETAIL



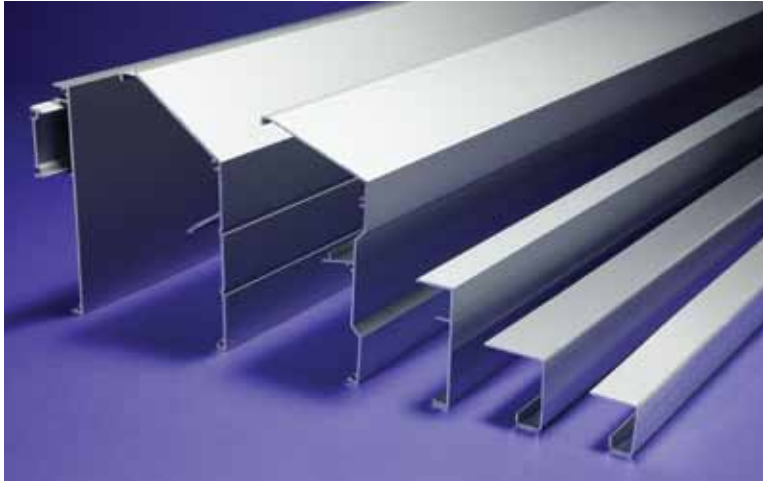
C-416-4

Chain (by other) limits carrier spacing as required. To be used with **C-104 Track** or **C-108 Track**.

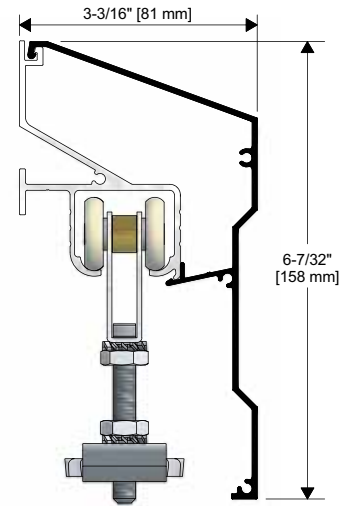
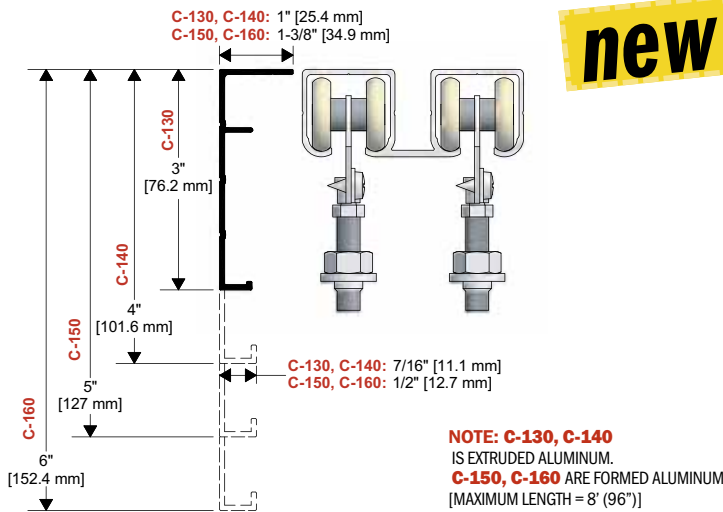


SLIDING DOOR HARDWARE

FASCIA SERIES



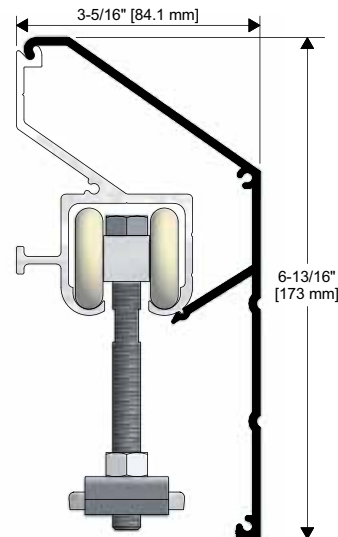
CUSTOM PLAIN FASCIA (C-130, C-140, C-150, C-160)



C-413 FASCIA

C-413 snap on fascia (Shown with **C-412** Track & **C-411** hanger)

C-413 END CAP



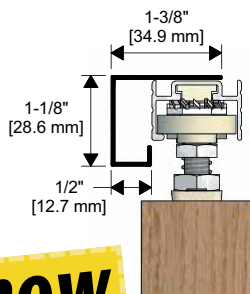
C-110 FASCIA

C-110 snap on fascia (Shown with **C-108** Track & **C-994** hanger)

C-110 END CAP

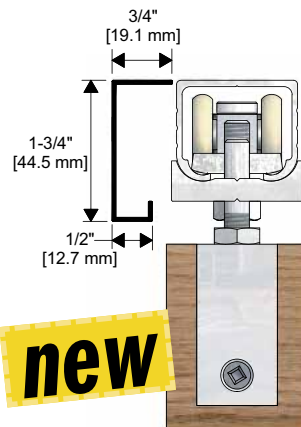


C-118 FASCIA

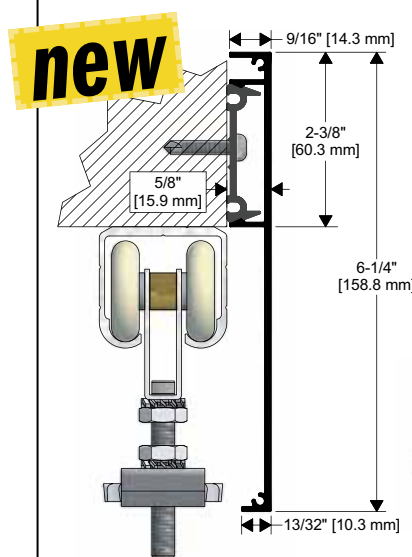


Formed aluminum fascia for **CF-100** Bi-fold Kit only. See Page 62 for more details.

C-175 FASCIA

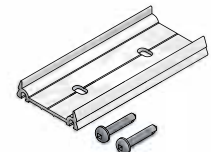


Formed aluminum fascia for **CF-115** Bi-fold Kit only. See Page 61 for more details.



C-170 FASCIA & C-171 CLIP

C-170 snap on fascia with **C-171** Clip (Shown with **C-104** Track & **C-911** hanger). **C-171** clips are 4" complete with two Oblong holes, & two #10X1" Tek Screws. One Clip provided for every 36" [900mm] of **C-170** Fascia.



SLIDING DOOR HARDWARE

MOUNTS & JOINERS

CDSM-1 CUSTOM SIDE-MOUNT BRACKET

CDSM-1 Custom Side-Mount bracket is fabricated to suit your special wall/ barn/Side-Mount applications. It is made with $\frac{3}{8}$ " [9.5mm] or $\frac{1}{2}$ " [12.7mm] aluminum angle. It can be fabricated for single track, double track and triple track systems.

Please contact customer service for more information.

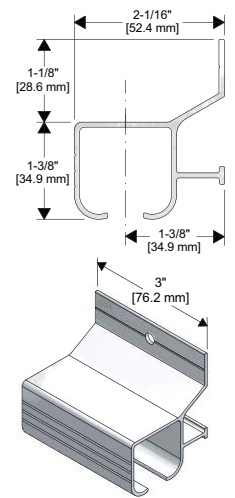


C-401 TRACK SIDE-MOUNT BRACKET



(WORKS ONLY WITH THE C-400 TRACK)

C-401 DETAIL



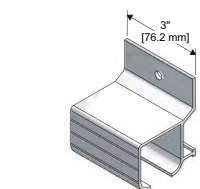
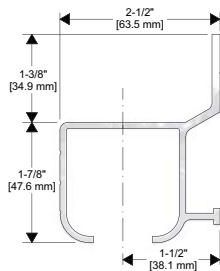
C-104 TRACK BRACKETS AND JOINERS (FOR C-104 TRACK ONLY)



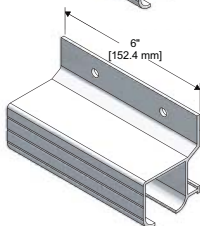
C-204 TRACK BRACKETS AND JOINERS



C-402 & C-403 DETAIL

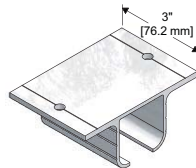
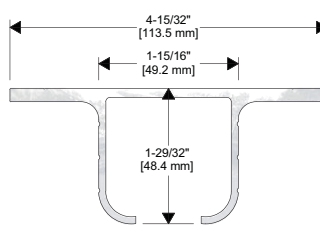


C-402

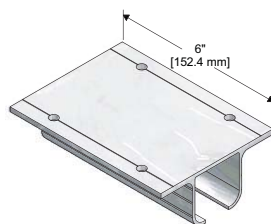


C-403

C-406 & C-407 DETAIL

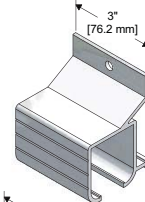
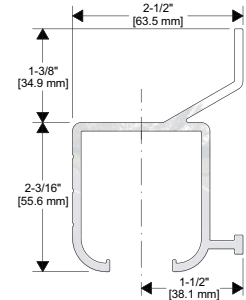


C-406

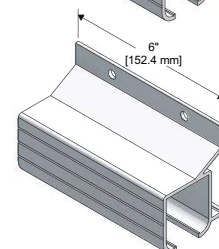


C-407

C-205 & C-203 DETAIL



C-205



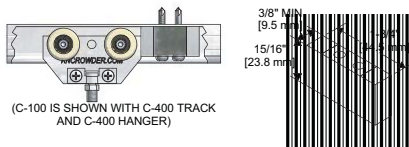
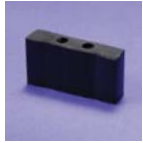
C-203

SLIDING DOOR HARDWARE

DOOR STOPS

C-100 IN-TRACK STOP

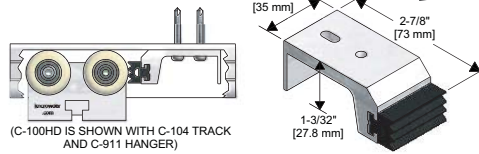
Compatible tracks: C-300, C-350, C-400, C-411, C-412, C-500, C-538, C-600, C-650, TYPE B & TYPE C Crowderframe Kits



new
& IMPROVED!

C-100HD IN-TRACK STOP

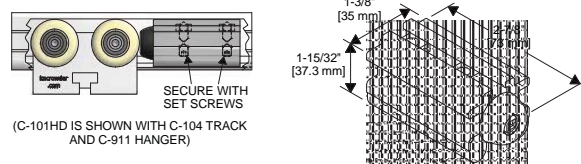
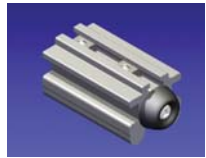
Compatible tracks: C-104, C-108, C-204, C-975



new
& IMPROVED!

C-101HD IN-TRACK STOP

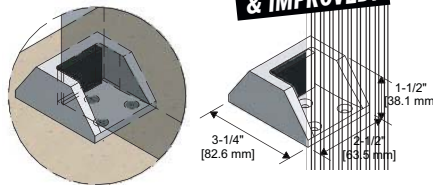
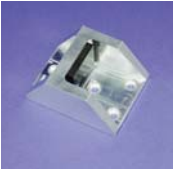
Compatible tracks: C-104, C-108, C-975



new

C-102HD FLOOR DOOR STOP

Suitable for doors up to 1-3/4" [44.5mm] thick only. Supplied with 4 #10 flathead wood screws & 4 #10 flathead Tapcon screws



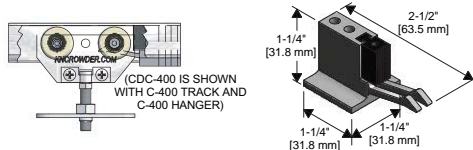
new
& IMPROVED!

CROWDER DOOR CATCHES

New and creatively designed door catches are made to stop the door and keep it in that position until it is required to be closed or opened.

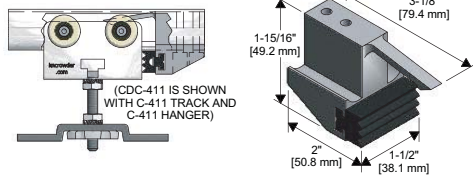
CDC-400

Compatible with: C-400 Track, C-500 Track, C-538 Track and Type B Crowderframe



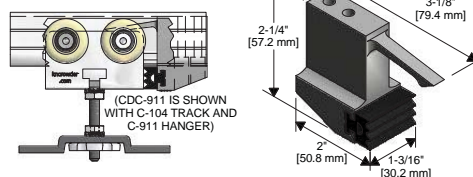
CDC-411

Compatible with: C-411 Track, C-412 Track and Type C Crowderframe



CDC-911

Compatible with: C-104 and C-108 Track with C-911 hangers



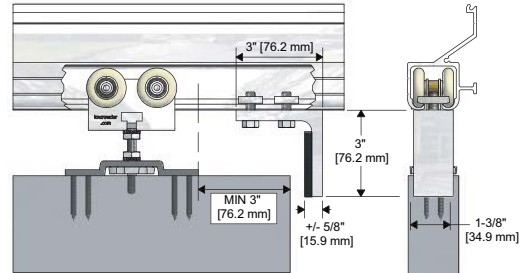
new

CAS-1 & CAS-1R END STOPS



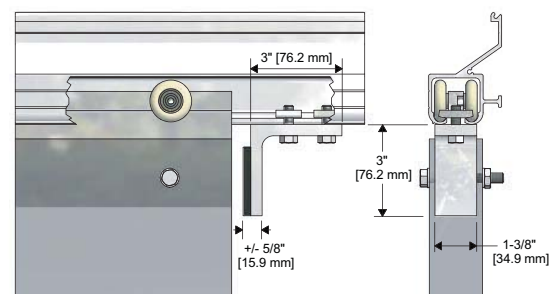
new

CAS-1



(CAS-1 IS SHOWN WITH C-108 TRACK AND C-911 HANGER)

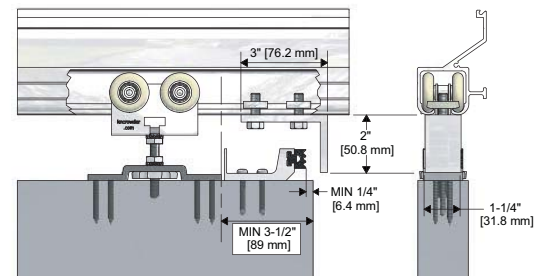
CAS-1R



CAS-2 DOOR STOP (INCLUDES C-100HD STOP)

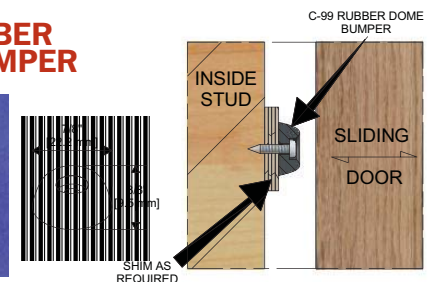


new



(CAS-2 IS SHOWN WITH C-108 TRACK AND C-911 HANGER)

C-99 RUBBER DOME BUMPER

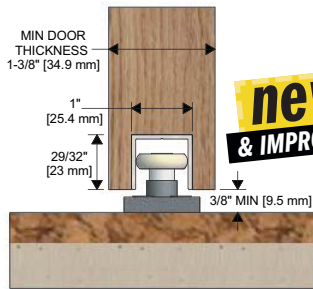
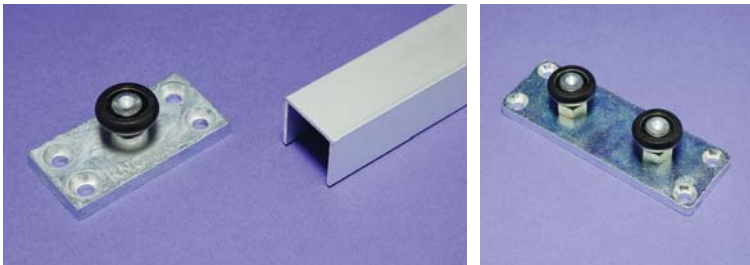


SLIDING DOOR HARDWARE

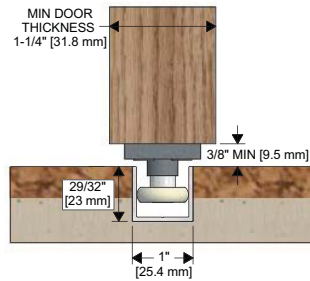
DOOR GUIDES

new

C-914 SERIES

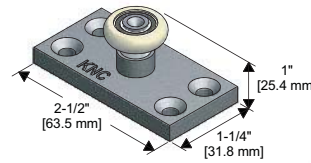


Option #1: Guide channel in the door **Shown: C-914** Guide channel recessed in the door, with **C-913** floor mounted guide

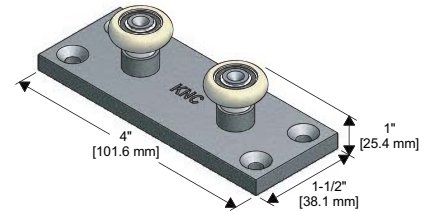


Option #2: Guide channel in Floor **Shown: C-914** Guide channel recessed in the floor, with **C-913** mounted to the bottom of the door. (Ideal to have two guides per door for this application)

C-913 GUIDE

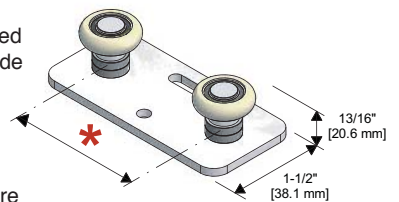


C-913-2 DUAL ROLLER GUIDE



C-913D-XXX DOUBLE GUIDE

The **C-913D** floor mounted double door guide is made for by-passing door applications such as the **C-500**, **C-538** and more. It features one oblong hole for adjustment before securing in place with second hole.



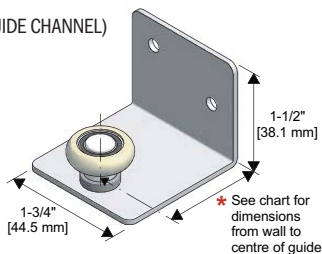
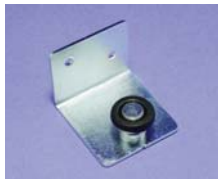
* **C-913D DOUBLE GUIDE CENTER TO CENTER DIMENSIONS & PRODUCT REFERENCE:**

C-913D-134
FOR BY-PASSING 1-3/4" [44.5mm] DOORS (E.G. C-500 SERIES):
CENTER TO CENTER = 2-1/8" [54 mm]

C-913D-138
FOR BY-PASSING 1-3/8" [34.9mm] DOORS (E.G. C-538 SERIES):
CENTER TO CENTER = 1-3/4" [44.5 mm]

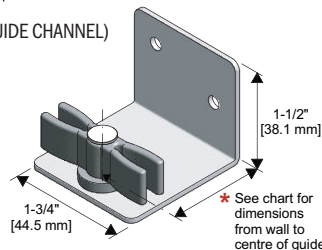
CSM (CROWDER SIDE-MOUNT) GUIDES

CSM-913-XXX (FOR C-914 GUIDE CHANNEL)



PRODUCT NAME:	* DISTANCE FROM WALL TO CENTER OF GUIDE	COMPATIBLE TRACKS
CSM-913-108	1-1/2" [38.1 mm]	* C-108 SIDE-MOUNT TRACK * C-104 TRACK WITH C-402 SIDE-MOUNT BRACKETS * C-204 TRACK WITH C-205 SIDE-MOUNT BRACKETS
CSM-913-401	1-3/8" [34.9 mm]	* C-400 TRACK WITH C-401 SIDE-MOUNT BRACKETS
CSM-913-412	1-7/16" [36.5 mm]	* C-412 SIDE-MOUNT TRACK

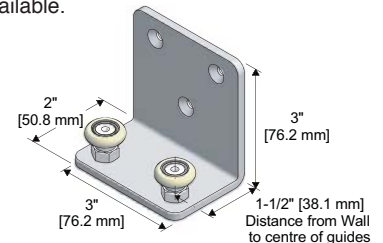
CSM-200-XXX (FOR C-201 GUIDE CHANNEL)



PRODUCT NAME:	* DISTANCE FROM WALL TO CENTER OF GUIDE	COMPATIBLE TRACKS
CSM-200-108	1-1/2" [38.1 mm]	* C-108 SIDE-MOUNT TRACK * C-104 TRACK WITH C-402 SIDE-MOUNT BRACKETS * C-204 TRACK WITH C-205 SIDE-MOUNT BRACKETS
CSM-200-401	1-3/8" [34.9 mm]	* C-400 TRACK WITH C-401 SIDE-MOUNT BRACKETS
CSM-200-412	1-7/16" [36.5 mm]	* C-412 SIDE-MOUNT TRACK

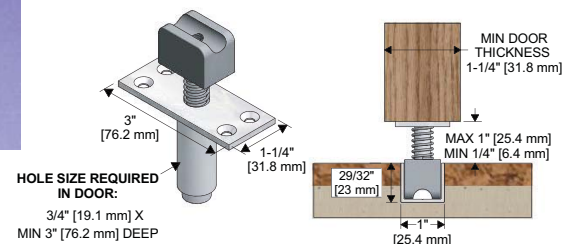
CSM-913-2HD

CSM-913-2HD Heavy-Duty Side-Mount Guide with two rollers used with **C-914** Guide channel provide additional stability for doors (Ideal for Large Door Applications). Will work with **C-108** Side-Mount Track, **C-104** Track with **C-402** Side-Mount Brackets and **C-204** Track with **C-205** Side-Mount Brackets. Custom offsets also available.



C-913SL

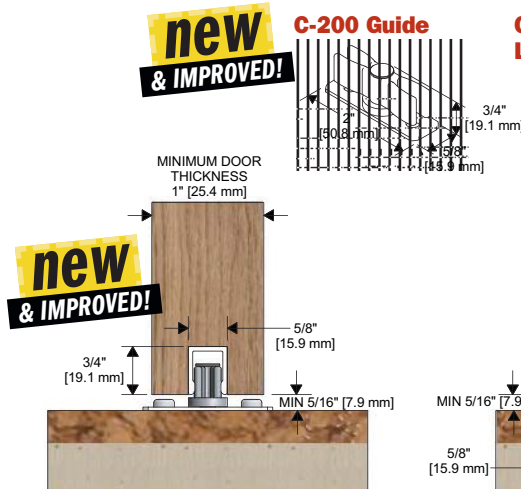
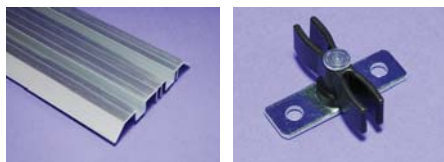
C-913SL Heavy-Duty spring loaded guide used with **C-914** Guide channel provide stability for doors traveling long distance on uneven floors.



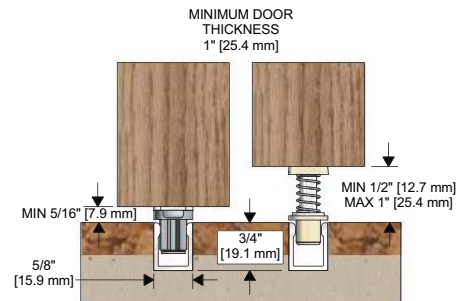
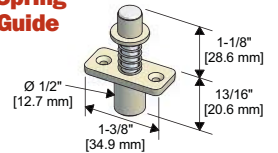
SLIDING DOOR HARDWARE

DOOR GUIDES

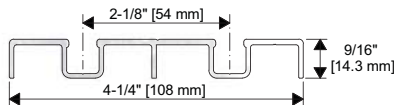
C-200 GUIDE SERIES



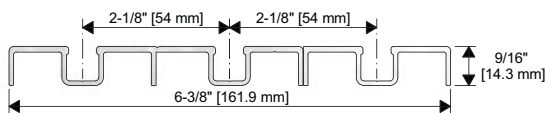
C-200B Spring Loaded Guide



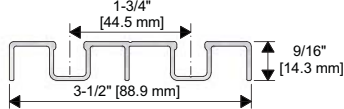
C-202



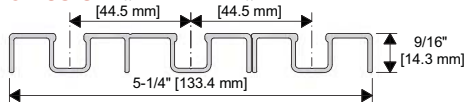
C-202-3



C-238

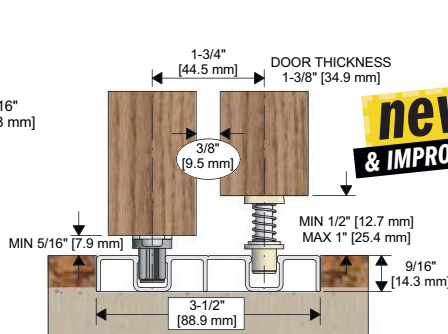


C-238-3

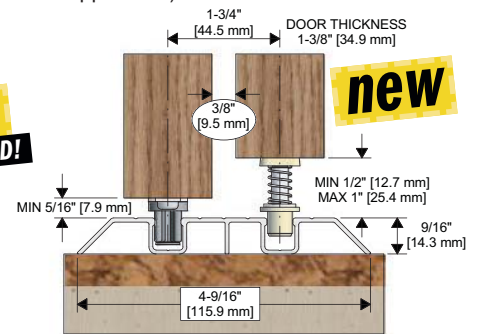


Option #1: Guide channel in the door
Shown: C-201 Guide channel recessed in the door, with C-200 floor mounted guide.

Option #2: Guide channel in the floor
Shown: C-201 Guide channel recessed in the floor with C-200 Guide or C-200B Spring Loaded Guide mounted to the bottom of the door. (Ideal to have two guides per door for this application)



Option #3: Guide threshold in floor
Shown: C-238 Guide threshold for 1-3/8\"/>



Option #4: NEW Sloped guide threshold on floor
Shown: C-238S Sloped Guide threshold for 1-3/8\"/>

C-1200 NYLON GUIDE SERIES



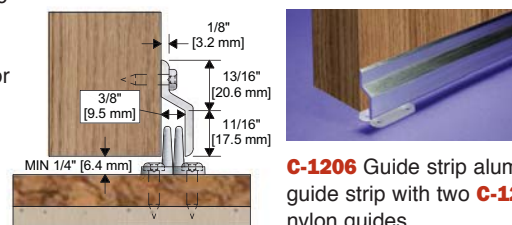
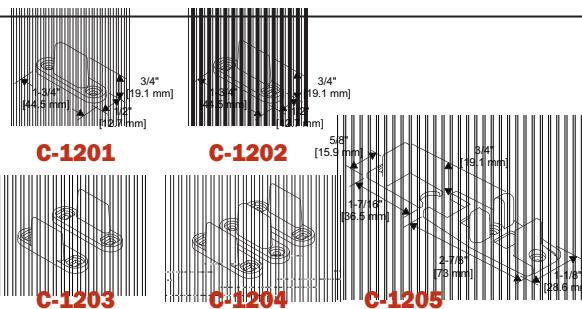
C-1201 Guide: kerfed groove center guide or between by-passing doors

C-1202 Guide: offset guide for use with C-1206 guide strip

C-1203 Guides: two offset guides for use on both sides of a single door (ideal for pocket door applications).

C-1204 Guides: two offset guides and one center guide for by-passing doors.

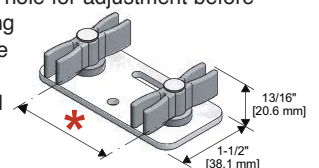
C-1205 Self-aligning guides: self aligning nylon guides for by-passing doors up to 1-3/8\"/>



C-1206 Guide strip aluminum guide strip with two C-1202 nylon guides

C-200D-XXX DOUBLE GUIDE **new**

The C-200D floor mounted double door guide is made for by-passing door applications such as the C-500, C-538 and more. It features one oblong hole for adjustment before securing in place with second hole.



*** C-200D DOUBLE GUIDE CENTER TO CENTER DIMENSIONS & PRODUCT REFERENCE:**

C-200D-134
FOR BY-PASSING 1-3/4\"/>

C-200D-138
FOR BY-PASSING 1-3/8\"/>

SLIDING DOOR HARDWARE

DOOR LOCKS AND PULLS

C-30 PRIVACY DOOR LOCK AND PULL



Dimensions:
2-1/2" [57.2mm]
Wide x 2-3/4"
[69.9mm] High x
1-3/8" [34.9mm]
or 1-3/4" [44.5mm]
depth.
NOTE: Must
specify door
thickness when
ordering.

C-35 ROUND DOOR LOCK AND PULL



Dimensions:
2-3/8" [60.3mm]
back set, 2-1/8"
[54mm] hole
diameter required.
Will work with
1-3/8" [34.9mm]
or 1-3/4"
[44.5mm] doors.

C-23 & C-25 WOOD DOOR PULLS



new
C-23 for 1-3/8"
[34.9mm] thick
doors.
C-25 for 1-3/4"
[44.5mm] thick
doors.
Dimensions:
2" [50.8mm] Wide
x 4" [101.6mm]
high x door
thickness.

C-40 PASSAGE PULL



Dimensions:
2-1/2" [57.2mm]
Wide x 2-3/4"
[69.9mm] High x
1-3/8" [34.9mm]
or 1-3/4" [44.5mm]
depth.
NOTE: Must
specify door
thickness when
ordering.

C-75 & C-70 FLUSH PULLS



Dimensions:
2" [50.8mm]
Wide x 4-1/8"
[104.8mm] High
x 1/2" [12.7mm]
Depth

CGP-038 & CGP-012 GLASS DOOR PULLS



new
CGP-038 for 3/8"
[10mm] thick glass
doors.
CGP-012 for 1/2"
[12mm] thick glass
doors.
Dimensions:
2-3/8" [60.3mm] wide
x 4" [101.6mm] high
x glass thickness. See
instruction sheet online
for installation and
glass cutout size.

FOR MORE DETAILS AND TEMPLATES PLEASE VISIT OUR WEBSITE: www.kncrowder.com

DOOR LOCKS & PULLS COLOUR CHART

Colour Name	ANSI/BHMA CODE	US CODE	CDN CODE	C-23	C-25	C-30	C-35	C-40	C-70	C-75	C-80B	C-80ET TRIM	C-80L	C-80S	C-81	C-82L	C-90B	C-90C	C-90E	C-90L	C-90T	C-90S	C-91	C-92L	CGP-012	CGP-038
BRIGHT BRASS	605	US3	C3			✓	✓	✓	✓	✓							✓	✓	✓	✓	✓	✓	✓	✓		
DULL BRASS	606	US4	C4														✓	✓	✓	✓	✓	✓	✓	✓		
ANTIQUE/OIL RUBBED BRONZE	613	US10B	C10B				✓										✓	✓	✓	✓	✓	✓	✓	✓		
BRIGHT NICKEL PLATED	618	US14	C14														✓	✓	✓	✓	✓	✓	✓	✓		
DULL NICKEL PLATED	619	US15	C15														✓	✓	✓	✓	✓	✓	✓	✓		
BRIGHT CHROME	625	US26	C26			✓		✓	✓	✓							✓	✓	✓	✓	✓	✓	✓	✓		
DULL CHROME	626	US26D	C26D			✓	✓	✓	✓	✓							✓	✓	✓	✓	✓	✓	✓	✓		
SATIN STAINLESS STEEL	630	US32D	C32D	✓	✓						✓	✓	✓	✓	✓	✓									✓	✓

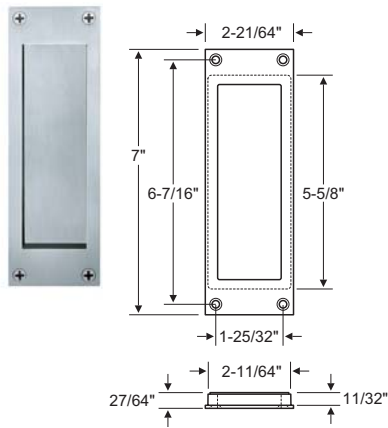
✓ Available from stock | ✓ Available | Blank box = Unavailable

SLIDING DOOR HARDWARE

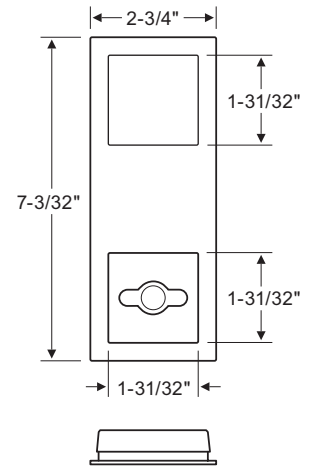
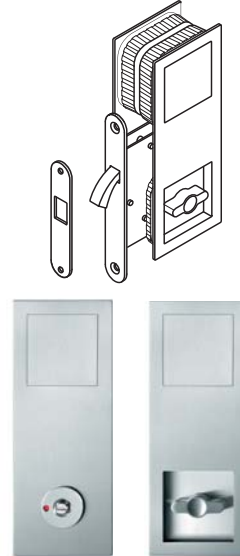
DOOR LOCKS AND PULLS

new

C-80B FLUSH PULL



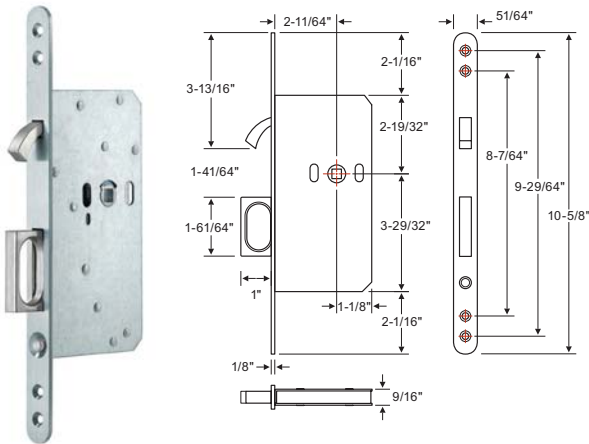
C-80ET TRIM SET



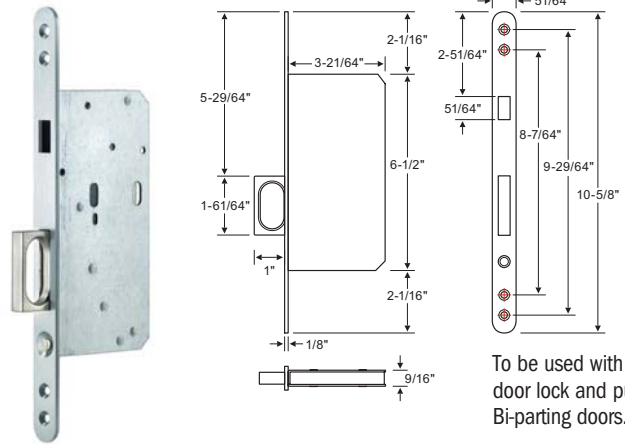
See chart on page 72 for available finishes

C-80ET trim set features spring loaded flush pulls which appear flush on the side of the door when not being used. Simply push the top square in and pull your door. When finished let go and the pop-out square will spring back into the flush position. The **C-80ET** Trim set is only available with the **C-80L** or **C-82L** door locks.

C-80L DOOR LOCK AND PULL

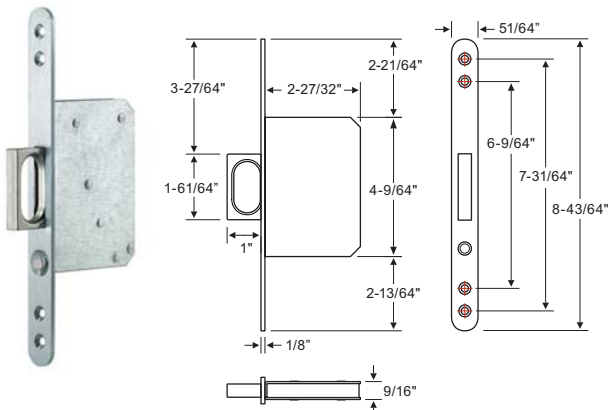


C-80S DOOR STRIKE WITH PULL

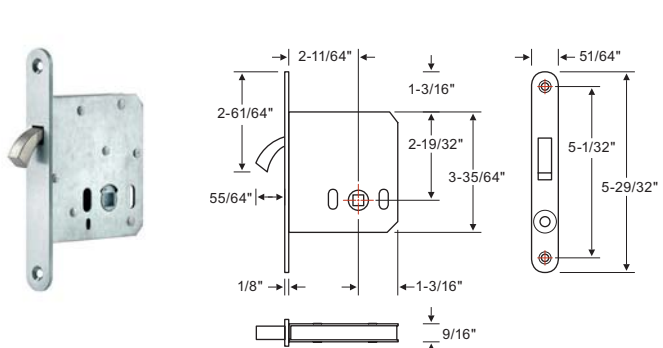


To be used with **C-80L** door lock and pull for Bi-parting doors.

C-81 EDGE PULL



C-82L DOOR LOCK



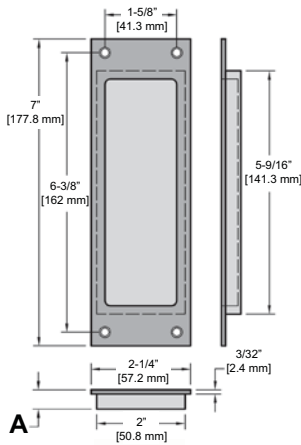
FOR MORE DETAILS AND TEMPLATES PLEASE VISIT OUR WEBSITE: www.kncrowder.com

SLIDING DOOR HARDWARE

HEAVY-DUTY DOOR LOCKS AND PULLS

new

C-90 SERIES FLUSH PULLS



STANDARD FLUSH PULLS

are for 1-3/4" [44.5mm] doors. For doors that are 1-3/8" [34.9mm] please specify 138 after the product number. (eg. **C-90E-138**). For doors that are 2-1/4" [57.2mm] please specify 214 after the product number (eg. **C-90E-214**)

A = 7/16" for Minimum 1-3/4" Doors
11/32" for Minimum 1-3/8" Doors



C-90B - Blank Flush Pull



C-90C - Flush Pull with Cylinder hole supplied with Cylinder: 1" [25.4mm] Diameter hole x 1" [25.4mm] depth. 5-PIN Schlage "C" Key way



C-90E - Flush pull with emergency Turn Screw



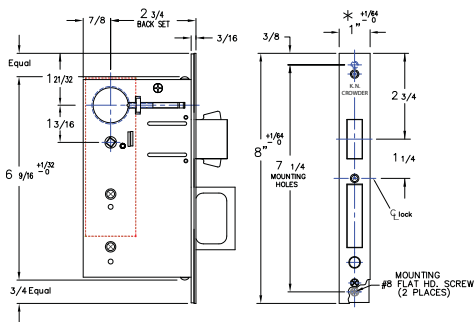
C-90T - Flush Pull with Thumb Turn

See chart on page 72 for available finishes

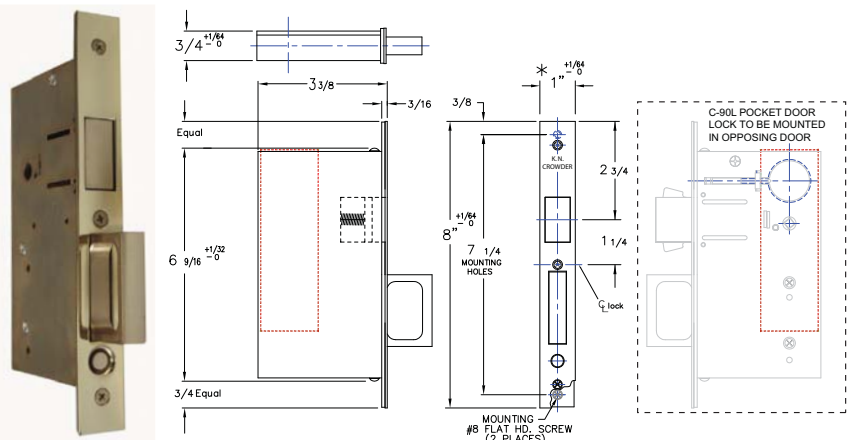
C-90L DOOR LOCK AND PULL



Shown in door with **C-90C** flush pull plate and Cylinder

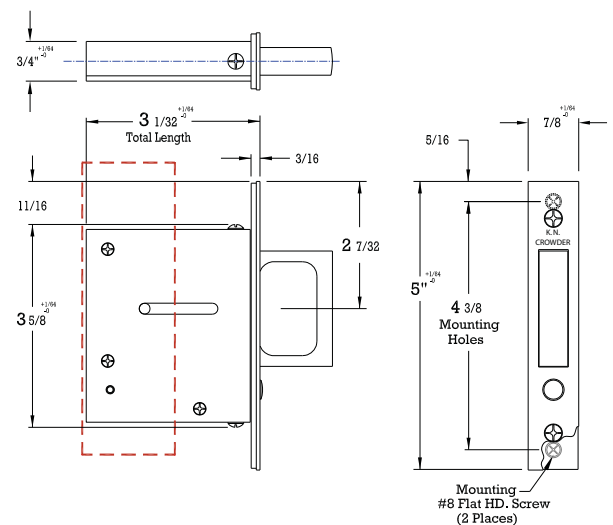


C-90S DOOR STRIKE WITH PULL



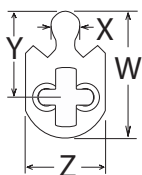
To be used with **C-90L** door lock and pull for Bi-parting doors

C-91 DOOR EDGE PULL



C-90 CAM DETAILS

B520-233



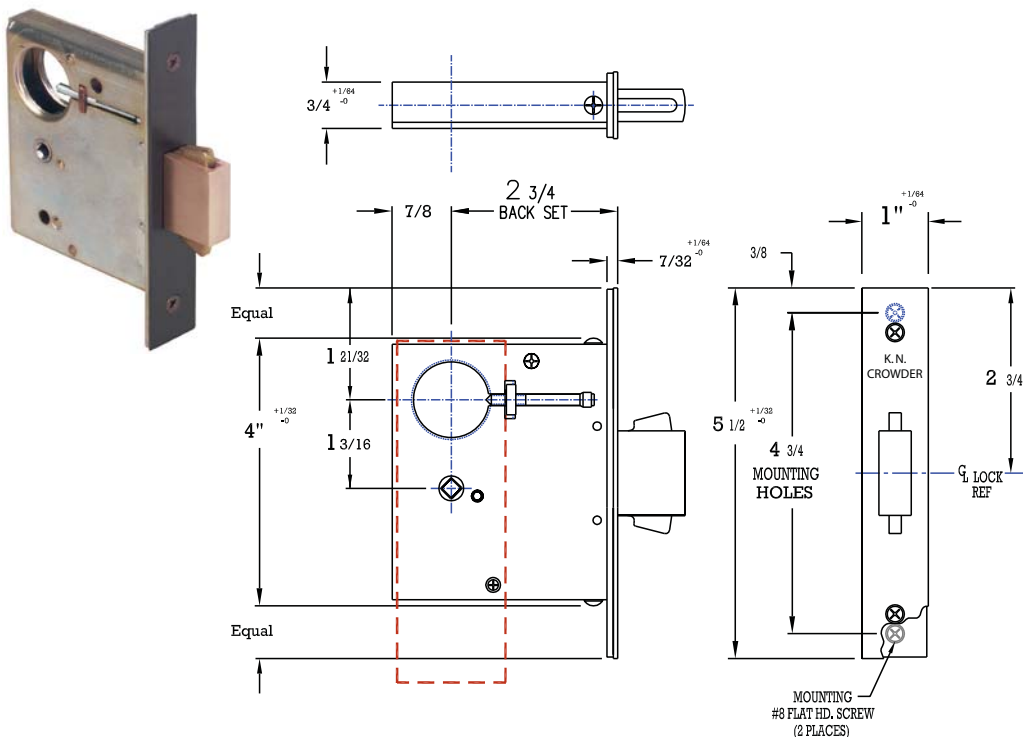
Dimensions:
W = 1.000"
X = .232"
Y = .729"
Z = .694"

SLIDING DOOR HARDWARE

HEAVY-DUTY DOOR LOCKS AND PULLS

new

C-92L DOOR LOCK



C-92L-HL HANDICAP DOOR LOCK



This combination uses our **C-92L** Door lock in junction with **C-90HL** Handle lever and Emergency Coin Turn on the opposite side. For more details visit our website.

See chart on page 72 for available finishes

FOR MORE DETAILS AND TEMPLATES PLEASE VISIT OUR WEBSITE: www.kncrowder.com

COMBINATION CHART

Combinations	C-80B	C-80ET TRIM	C-80L	C-80S	C-81	C-82L	C-90B	C-90C	C-90E	C-90T	C-90L	C-90S	C-91	C-92L	CYLINDER: 1" Diameter hole x 1" Depth, 5-PIN Schlage "C" Key Way.
C-80L-ET		✓	✓												
C-80S-BB	✓x2			✓											
C-81-BB	✓x2				✓										
C-82L-ET		✓				✓									
C-90L-CC								✓x2			✓				✓x2
C-90L-CT								✓		✓	✓				✓
C-90L-ET									✓	✓	✓				
C-90L-TT										✓x2	✓				
C-90S-BB							✓x2					✓			
C-91-BB							✓x2						✓		
C-92L-CC								✓x2						✓	✓x2
C-92L-CT								✓		✓				✓	✓
C-92L-ET									✓	✓				✓	
C-92L-TT										✓x2				✓	

CUBICLE TRACK

Anodized aluminum ceiling mounted hospital curtain track

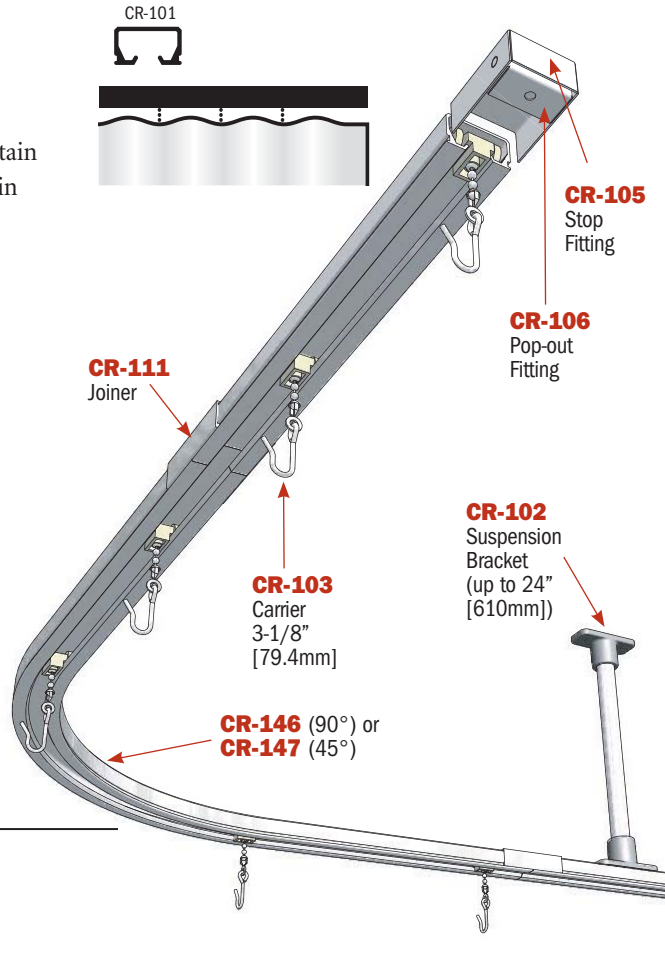
CROWDERTRACK offers a specially designed cubicle privacy curtain track which provides the complete screening of a patient's bed. When not in use, curtains may be drawn completely against the wall and out of the way.

The tracks and carriers are designed for quiet, smooth movement of the curtains. The simple design of the ceiling mounted system provides easy adaptation to both existing facilities and new construction.

Crowdertrack's Cubicle Track is manufactured from high quality extruded aluminum with an anodized finish for long life. Track may be surface mounted directly to the ceiling, recessed or suspended where required.

Use with Clear Anodized Extruded Aluminum **CR-101 Track** 6063T5 Alloy. Curtain carriers are nylon, each with two rolling nylon wheel units. The stainless steel chain and hooks are designed to prevent tangles, sticking and jammed curtains.

This combination of aluminum track and nylon wheels provides smooth, almost noiseless movement.



Cubicle Track Hardware

CR-103 Carriers

CR-105 Stop Fitting

CR-106 Pop-out for CR-105 Stop Fitting

CR-111 Extruded aluminum Joiner

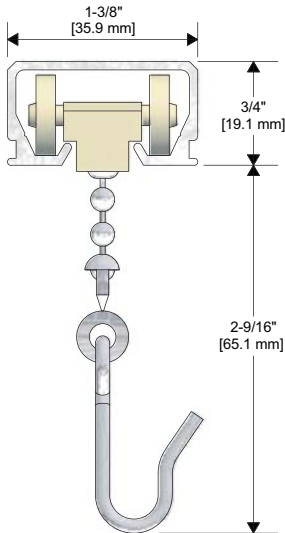
CR-146 90° Curve (see detail below right)

CR-147 45° Curve (see detail below right)

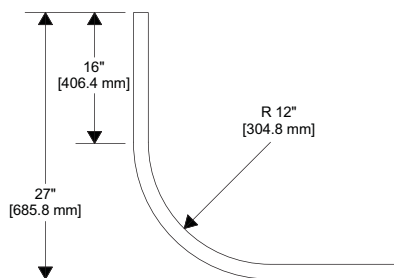
CR-102 Suspension Bracket



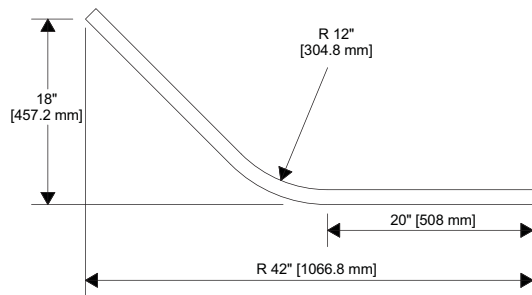
CR-101 TRACK WITH C-103 CARRIER DETAIL



CR-146 90 CURVE DETAIL



CR-147 45 CURVE DETAIL



HANG-IT-ALL

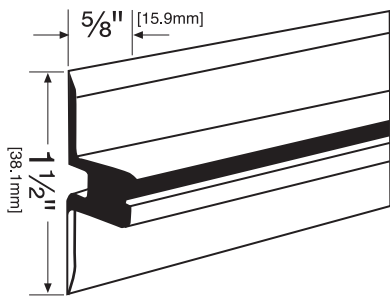
PICTURE RAILS



Convenient Easy to Install... Multi-Purpose

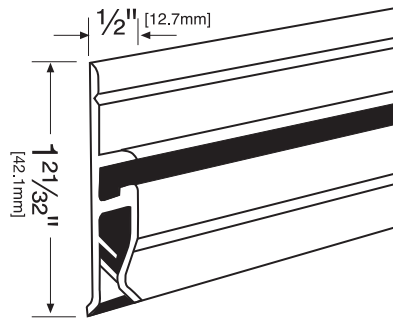
KNC Hang-It-All Picture Rail provides the perfect way to display paintings, signs or even kitchen memos without damaging walls. Specially designed nylon picture hooks fit into the track allowing lateral movement for positioning, yet firm support, up to 20lb. per hook. The unique roller clip for paper or cardboard accepts the material as you place it in the slot and holds it firmly in place until removed with a slight twist. The various methods of installation allow you to use Hang-It-All, virtually anywhere.

Drywall & Plaster Wall Installation

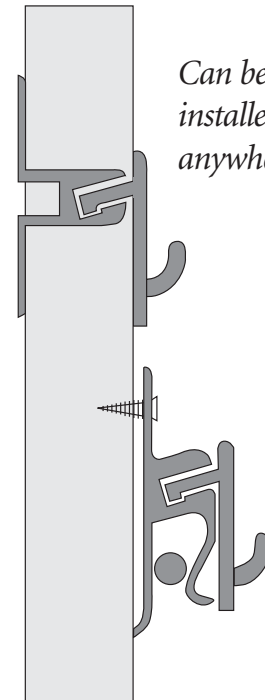


Aluminum Rail P5 Mill finish

Surface installation



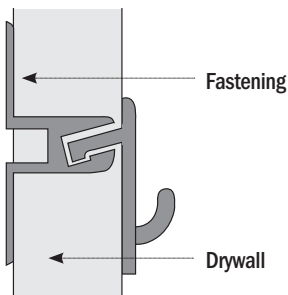
Aluminum Rail P6 Clear Anodized
Other Finishes available upon request



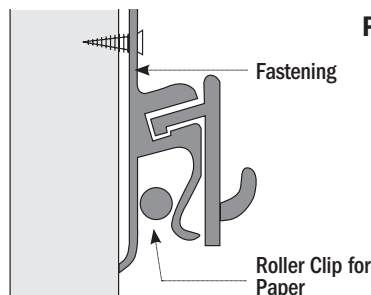
Can be easily
installed virtually
anywhere

- Office
- Libraries
- Kitchens
- Hotels
- Hospitals
- Stores
- Recreation
- Schools
- Industry
- Dormitories
- Restaurants
- Supermarkets

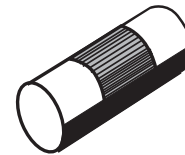
P5



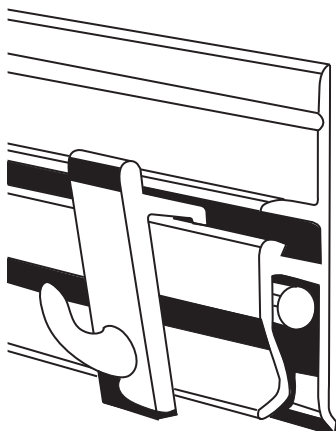
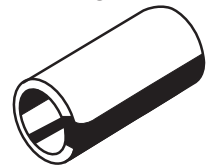
P6



P3
Roller Clip



P4
End Plug



For hanging objects in any room. Picture hooks can be moved to any position. Eliminates nail holes and cracking plaster.



P2
Picture Hook

HANG-IT-ALL


PICTURE RAILS


Hang-It-All Picture Rail is available in 12 foot lengths. P5 is supplied with one nylon hook (P2) per foot. P6 is supplied with one nylon hook (P2) and one roller (P3) per foot, and two end plugs (P4) per length.





Other Products by K.N. Crowder Mfg. Inc.



K. N. CROWDER MFG. INC.
**THRESHOLDS,
 WEATHERSTRIP, ASTRAGALS,
 AUTOMATIC DOOR BOTTOMS
 & STAIR NOSINGS**
 PRODUCT CATALOGUE

APRIL 2010

www.kncrowder.com




www.kncrowder.com
 "Prices and Designs subject to change without notice"


 K.N.CROWDER mfg. inc.
www.kncrowder.com

**Door Lites
 Door Louvers**

Trusted by Canada's busiest airport




 K.N.CROWDER mfg. inc.

kenagrille and ken-a-mat

Dimensionally permanent, dependable Foot Grilles and Floor Mats for all applications



"Dura-Spaced" Foot Grilles and Floor Mats



by K.N. Crowder Mfg. Inc.
www.kncrowder.com

Why our grilles last longer



A combination of the nylon spacers, strong bars and threaded steel rods are the backbone of the grille. they give support and strength to the grille. Wear is minimal and the result is a quiet durable grille that stands the test of time.

- This is why our grilles are frequently used to replace competitors grilles that have deteriorated.

WE MANUFACTURE FOOT GRILLES, FLOOR MATS, DOOR LITES & DOOR LOUVERS



KNC
K.N.CROWDER MFG. INC

K.N.CROWDER MFG. INC
 1220 Burloak Drive, Burlington, Ontario L7L 6B3

Toll Fax: 1 800 567 0123
 Fax: 905 315 8090
 Toll Free Tel: **1 866 999 1KNC (1562)**

K.N.CROWDER INC
 210 Eighth Street South, Lewiston, New York 14092

Toll Free Fax: 1 800 567 0123
 Tel: **716 754 8247**
 Toll Free Tel: **1 866 999 1KNC (1562)**



KNC

K.N.CROWDER MFG. INC

Dimensionally permanent, quiet, dependable sliding and folding door hardware for all applications



TOUGH TRACKS



CROWDERTRACK Quality Sliding Door Hardware

www.kncrowder.com

