



Since 1961

FROST PRODUCTS LTD.

hygienic solutions at work



SANITATION & ARCHITECTURAL
accessories



Frost Products Ltd. Turns 50!

In celebration of our 50th anniversary we would first like to thank our customers, employees and professional service providers. Your devoted support, hard work and sound advice has been vital in helping us reach this special milestone.

From our beginning in 1961, Frost has been committed to becoming a leading Canadian manufacturer of quality products. Our development of Sanitation and Architectural products has allowed us to work closely within the Healthcare, Education, Food Service, Industrial and Institutional markets. Today the Frost Products brand is well recognized for quality and value in commercial markets throughout Canada, the United States, Mexico and abroad.

In recent years Frost has focused on the development and design of a wide range of hands free and environmentally friendly products. Our theme of “Hygienic Solutions at Work” emphasizes our commitment to providing sanitation products that meet present day market demands and concerns.

Frost Products will continue to offer innovative hygienic product solutions, while delivering the quality we have built our reputations on. We believe our first 50 years is just the beginning!



Hygienic Solutions at work

Yesterday and today



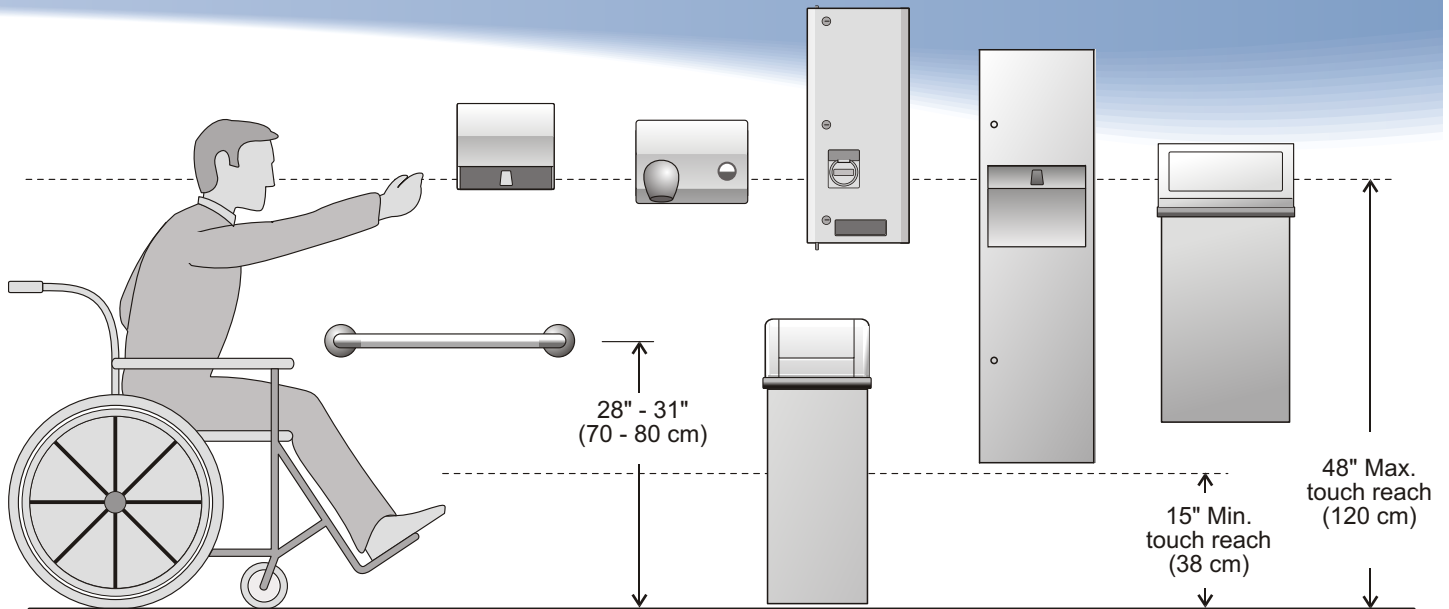
In 1961 Frost Products produced a wide variety of quality Canadian made furniture and fixtures. Operating from a 6,000 sq. ft. facility in Hamilton Ontario, Frost begins to build it’s reputation for quality and service.

Today, Frost Products Ltd. continues it’s commitment to providing quality and value. Operating from over 40,000 sq. ft. in two buildings, we continually strive to improve our core strength with upgraded manufacturing capabilities and human resources.

Dispensers for paper products		Page
Roll, single fold and multifold towel	Code 101 - 107	4-5
Control roll and hands free towel	Code 109-50 - 109-70	6
Other towel dispensers	Code 126 - 135-70	7
Toilet Tissue Dispensers		
Roll tissue dispensers	Code 146 - 158	8
Roll tissue dispensers	Code 158-10 - 165	9
Jumbo roll	Code 166 - 170	10
Facial tissue, cup, napkin & seat cover	Code 175 - 199	11
Waste receptacles		
Free standing	Code 300 series	12
Wall mounted	Code 303 - 304	13
Security waste receptacles, ARC series ...	Code 307 - 311	13-14
ARC Series, Recycling and wall mounted .	Code 312 - 340	15-16
Combination dispenser / disposal fixtures		
Large capacity	Code 400 series	18
Control roll and hands free	Code 400-50 - 400-70	18
Medium and small capacity	Code 410 - 415	19
Multi fold	Codes 422 - 427	20
Control roll and hands free	Code 422-50/70	20
Sanitary napkin vendors		
Napkin/tampon	Code 606 - 607	21
Double vendors	Code 608	21
Recessed units and sanitary products	Code 610 - 650	22
Heavy duty vendor	Code 616 - 619	23
Sanitary napkin disposal units		
Surface mounted and hands free	Code 620 - 625	23
Recessed	Code 633 - 640	24
Soap Dispensers		
Liquid	Code 700 - 705	25
Lotion	Code 707	25
Tank type	Code 708 - 710	26
Touch free	Code 714 - 715	26
Vanity mount, vanity touch free	Code 712 - 716	27
Recessed mounted	Code 719	27
Medicine Cabinets		
Recessed and surface mount	Code 800 - 812	28
Ashtrays		
Wall mounted stainless steel	Code 910	29
Free standing ash urn	Code 914 - 915	29
Architectural	Code 312	29
Outdoor	Code 908 - 909-500	30
Mirrors		
Stock series, adjustable tilt and fixed tilt ..	Code 941 series	32
Shelves and standard signage		
Heavy duty, corner and flip up shelves	Code 950 - 955	33
Signage, symbols	Code 960 - 966	33
Shower seats	Code 972 - 975	34
Grab bars	Code 1001 - 1055	35-36
Janitorial accessories	Code 1100 - 1171	37-38
Washroom accessories	Code 1125 - 1150	37-41
Hand / Hair dryers	Code 1187 - 1196	41

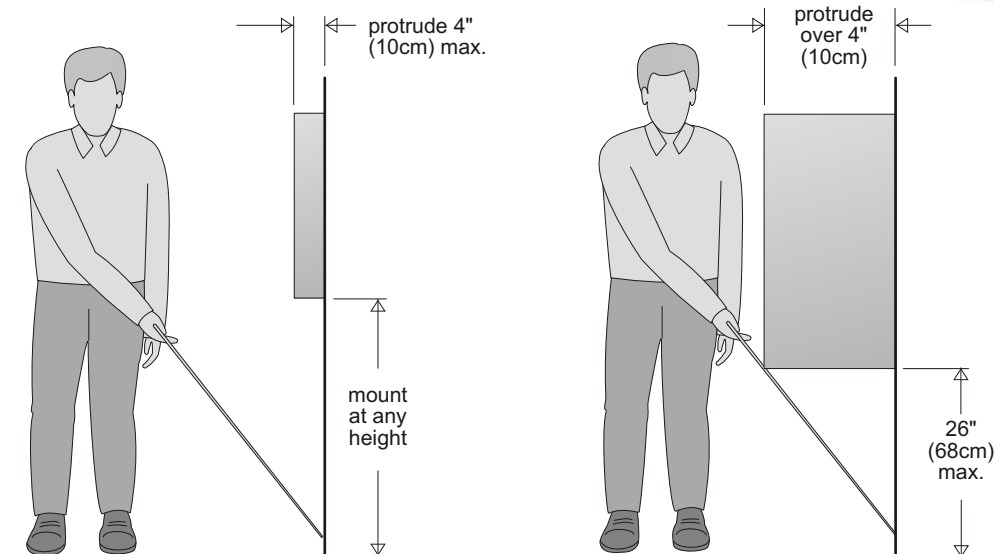


Forward Reach Without Obstruction



Barrier-Free access washroom guidelines: In washroom installations designed to accommodate people with limited mobility and wheelchairs, accessories should be mounted so that the operating features meet local building codes. Mounting requirements of accessories may vary depending on the location of accessories and the direction of reach required for use. As a general guideline operating features of accessories should be mounted "above the finished floor" to allow forward reach by people in wheelchairs. Throughout this catalogue a wheelchair symbol is used to identify models that are accessible when mounted at approved heights. The wheelchair symbol is also used to identify products specifically designed to assist people with limited mobility and provide barrier-free access.

Mounting of Protruding Detectable Objects



Protruding Objects

Objects which protrude no more than 4" (10cm) into pedestrian areas such as walkways, halls, corridors, passageways or aisles can be mounted at any height above the floor.

Detectable Objects

Objects with their leading edges mounted 26" (68cm) or less above the floor may protrude any amount.

Dispensers For Paper Products



Roll and Single Fold Dispenser

- Code 101:** White epoxy powder finish
- Code 101-1:** White epoxy powder finish with lock
- Code 102:** Polished chrome finish
- Code 102-1:** Polished chrome finish with lock
- Code 103:** Stainless steel type 304 No. 4 brushed finish
- Code 103-1:** Stainless steel type 304 No. 4 brushed finish with lock

101™



Specifications:

The 101 series of dispensers are an industry standard and can be used in any room or site location.

Features:

Universal towel dispenser will accept all standard single fold and roll towels (max. 6" diameter and up to 10" wide). Available with keyed tumbler lock to reduce pilferage and vandalism. Front loading for easy service and maintenance. All welded construction of 20 and 22 gauge steel. Full length piano hinge on door. Protective edge on saw tooth cutting area.

SS Features:

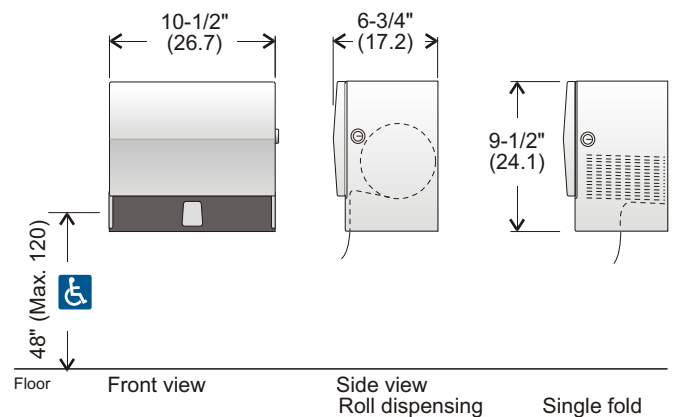
Drawn stainless steel door. All welded stainless steel (304, No. 4 brushed) construction. All doors are hinged with full length stainless steel piano hinges. Product shipped with protective plastic coating to be removed after installation.

Shipping Weight:

5-1/2 lbs. (2.5 kg)

Installation:

For unrestricted access, bottom of unit to floor must not exceed 44" (111.7).



Typical Installations:

Educational

Frost products are found in educational institutions of all levels, nationwide. Our white goods are especially popular for their durability and value. Some of our most commonly specified items shown from left to right, Code 608-1 (pg. 21), Code 103 listed above), Code 150 (pg. 8) and the code 301 (pg. 12).



Dispensers For Paper Products



Jumbo Roll Towel Dispensers

Code 101J: White epoxy powder finish

Specifications:

The 101J offers maximum towel capacity in a compact unit.

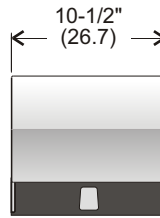
Features:

Universal towel dispenser will accept all standard roll towels (max. 7-1/8" diameter and up to 8" wide). This includes almost all 425 ft. jumbo rolls and the Scott 500 ft. rolls. Comes with keyed tumbler lock to reduce pilferage and vandalism. Front loading for easy service and maintenance. Jumbo roll is supported on a non removable full width roller. All welded construction of 20 and 22 gauge steel. Full length piano hinge on door. Protective edge on saw tooth cutting area.

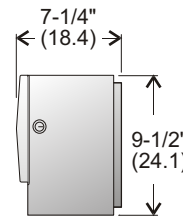
Shipping Weight:

5-1/2 lbs. (2.5 kg)

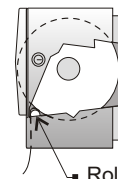
Installation: For unrestricted access, bottom of unit to floor must not exceed 44" (111.7).



Code 101J



Code 101J
Side View



Roller bar

Partial cutaway view showing towel roller bar

Multifold Towel Dispensers

Code 105: White epoxy powder finish

Code 107: Stainless steel type 304 no. 4 brushed

Specifications:

The compact size and variety of finishes makes the 105 and 107 ideal for use in any room or site location.

The unit opening will dispense multifold and "C" fold towels. Towel opening has rolled safety edge (black finish on all units). All units come with keyed tumbler lock to reduce pilferage and vandalism. Front loading for easy service and maintenance. One piece coverall door.

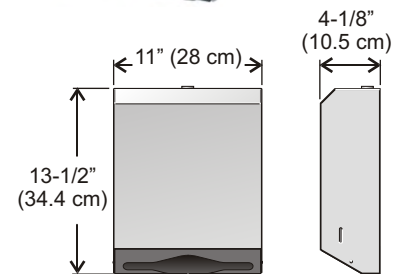
Code 107: Stainless steel (304, No. 4 brushed) construction. Product shipped with protective plastic coating to be removed after installation.

Shipping Weight: 2 kg. (4-1/2 lbs.)

Installation: For unrestricted access, bottom of unit to floor must not exceed 48" (120).



Code 107



48" (Max.) (120)

Multi fold and C-fold opening. Rolled safety edge on opening.

Floor

Front view

Side View

Control Roll and Hands Free Towel Dispensers

Frost Products has incorporated both a control roll and hands free mechanism in a variety of standard products. Throughout the catalog you will find examples of the Control Flow and Auto Roll series of dispensers. The symbols at the left indicate products that can be equipped with the controlled delivery or hands free delivery of paper towels.



Dispensers For Paper Products



Control Roll Towel Dispensers

- Code 109-50W:** White epoxy powder finish
- Code 109-50S:** Stainless steel, 304 no. 4 finish
- Code 109-50P:** Transparent plastic front



Code 109-50

Site location: Ideal for high traffic areas.

The 109-50 is designed to dispense Jumbo 8" diameter (4" reserve roll) x 8" wide roll towels.

Dispensing: Controlled delivery is easy with push action lever. Comes with keyed tumbler lock to reduce pilferage and vandalism. Front loading for easy service and maintenance.

Materials: **Code 109-50W:** All welded construction of 22 gauge crs powder coated white finish. **Code 109-50S:** All welded construction of 22 gauge no. 4 brushed finish stainless steel.

Shipping Weight: **Code 109-50W&S:** 12 lbs. (5.3 kg), **Code 109-50P:** 7 lbs. (3 kg)

Installation: For unrestricted access, bottom of unit to floor should not exceed 44" (111.7). Mounting screws provided.

Auto Cut, Roll Towel Dispensers

- Code 109-60W:** White epoxy powder finish
- Code 109-60S:** Stainless steel, no. 4 finish
- Code 109-60P:** Smoked polycarbonate cover

Site location: Ideal for high traffic areas.

Dispensing: When pulling on the exposed length of towel the touch free dispenser will automatically cut an 11" (27cm) length, leaving a 3" length of towel to grab onto for the next dispensing action. Hands free dispenser reduces paper flow, and provides maximum hygiene. Designed to dispense jumbo roll towels max. 8" diameter. Comes with keyed tumbler lock to reduce pilferage and vandalism. Front loading for easy service and maintenance.

Materials: **Code 109-60:** All welded construction. **Code 109-60S:** Stainless steel, no. 4 finish. **Code 109-60P:** Smoked polycarbonate cover.

Shipping Weight: 13.5 lbs. (6 kg). Code 109-60P: 10 lbs (4.5 kg)



Code 109-60S

Hands Free Towel Dispensers

- Code 109-70S:** Stainless steel, 304 no. 4 finish
- Code 109-70P:** Transparent plastic front
- Code 109-70W:** White epoxy powder finish

Specifications: All exterior dimensions and material specifications same as 109-50.

Features unique to Auto Roll Series: Large detection zone senses hand when placed in a natural position under dispenser to deliver a 12" length of towel. Towel delivery is quiet and uniform. Hands free dispenser reduces paper flow, and provides maximum hygiene. Operates with 4 "D" size alkaline batteries (ac adaptor also included). 4 alkaline batteries have been independently tested and found to provide 35,000 hand dries, (Results will vary depending on paper quality and temperature). Designed to dispense jumbo roll towels max. 8" diameter (1-1/2 - 2" cores).



Code 109-70S



Dispensers For Paper Products



Standard Roll Dispensers

Code 126: Polished chrome finish

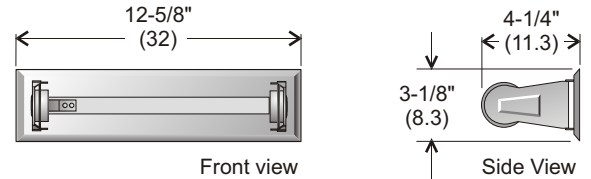
Specifications:

All welded construction of 18 ga. steel. Pivot arm hinges on hardened steel rivets. Tension springs restrict paper consumption. Concealed locking device prevents pilferage and vandalism. Designed for standard 11" rolls.

Shipping Weight: 2 lbs. (.9 kg)

Installation:

For unrestricted access, bottom of unit to floor should not exceed 44" (111.7). Mounting screws provided.



Recessed Towel Dispensers

- Code 135A:** Fully recessed
- Code 135B:** Semi recessed
- Code 135C:** Surface mounted
- Code 135-14A:** Fully recessed, 4" deep, multifold only
- Code 135-14C:** Surface mounted, 4" deep, multifold only

Specifications:

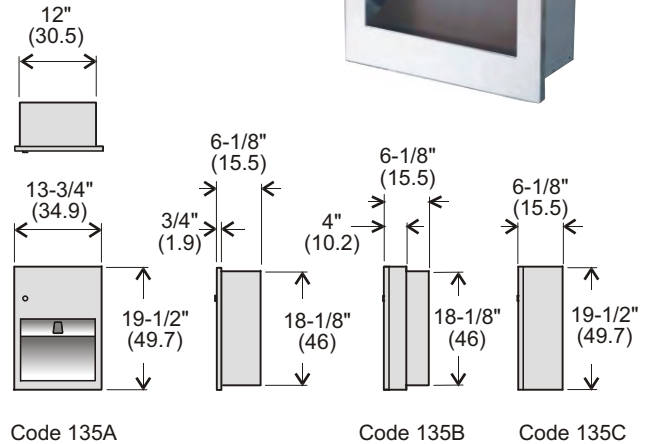
Compact fixture is well suited for multiple mountings in large high traffic areas and an ideal companion to stand alone or wall mounted waste receptacles.

Features:

Universal towel dispenser will accept all standard roll and single fold towels. Stainless steel (304, # 4 brushed) towel cradle. Heavy duty 18 gauge stainless steel door (304, # 4 brushed finish). Secured with a tumbler keyed lock. All doors are hinged with full length ss piano hinges. Recessed body of 22 ga. corrosion resistant galvanized steel.

Shipping Weight: Code 135A: 18 lbs (8.5 kg), Code 135B: 19 lbs. (9 kg), Code 135C: 21 lbs. (10 kg)

Installation: **Code 135A:** Provide 18-1/4" (46.5) high x 12-1/2" (31.8) wide x 6" (15.2) deep wall opening. **Code 135B:** Provide 18-1/4" (46.5) high x 12-1/2" (31.8) wide x 3" (7.6) deep wall opening. Collar is secured between recessed body flange and wall. Drill mounting holes as required. For unrestricted access, height of top of unit to floor must not exceed 57" (144.7).

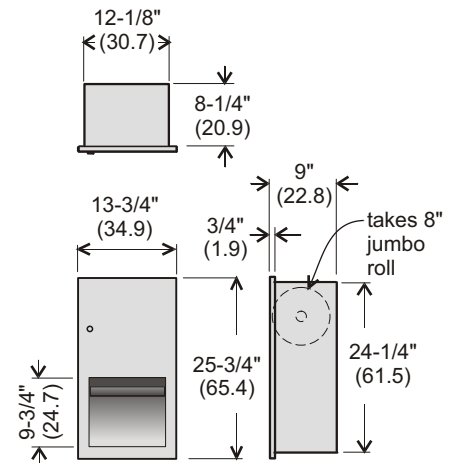


Control Roll Towel Dispensers

- Code 135-50A:** Fully recessed
- Code 135-50B:** Semi recessed
- Code 135-50C:** Surface mounted

Specifications:

Universal towel dispenser will accept all standard 8" wide roll towels. Controlled delivery with easy push action lever helps prevent paper towel waste.



Hands Free Towel Dispenser

- Code 135-70A:** Fully recessed
- Code 135-70B:** Semi recessed
- Code 135-70C:** Surface mounted

Specifications:

Large detection zone senses hand when placed under dispenser to deliver a 12" length of towel. Towel delivery is quiet and uniform. Hands free dispenser reduces paper flow, and provides maximum hygiene. Operates with 4 "D" size alkaline batteries. Four alkaline batteries have been independently tested and found to provide 35,000 hand dries. AC adaptor also included.



Overall dimensions for the 135-50 & -70 units are identical. All materials and specifications are the same as the Code 135 shown above.

Dispensers For Paper Products



Roll Toilet Tissue Dispensers

- Code 146:** Single Roll, polished chrome finish
Code 150: Double Roll, polished chrome finish

Specifications:

Ideal for areas requiring a heavy duty economical dispenser.

Features:

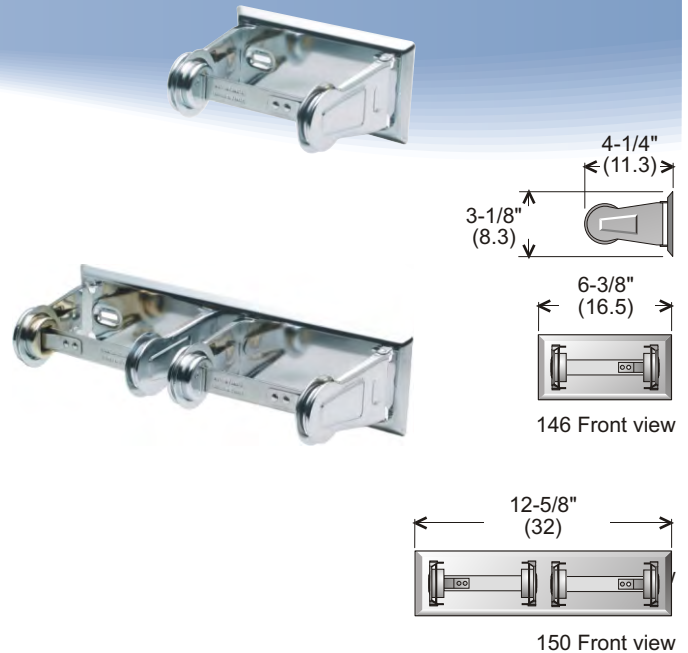
Tension springs restrict paper consumption to prevent free wheeling of roll. Unit has concealed self locking device to prevent product pilferage. All welded construction of 18 ga. steel. Pivot arms hinged on hardened steel rivets. All surfaces finished in polished chrome.

Shipping Weight:

- Code 146: 1 lbs. (.45kg)
 Code 150: 2 lbs. (.9 kg)

Installation:

For unrestricted access, bottom of unit to floor should not exceed 44" (111.7). Mounting screws provided.



Dispensers with Hood

- Code 156S:** Single Roll, stainless no. 4 brushed finish
Code 158S: Double Roll, stainless no. 4 brushed finish

Specifications:

The hooded tissue dispensers offer an attractive means of preventing product pilferage and restricting paper consumption.

Features:

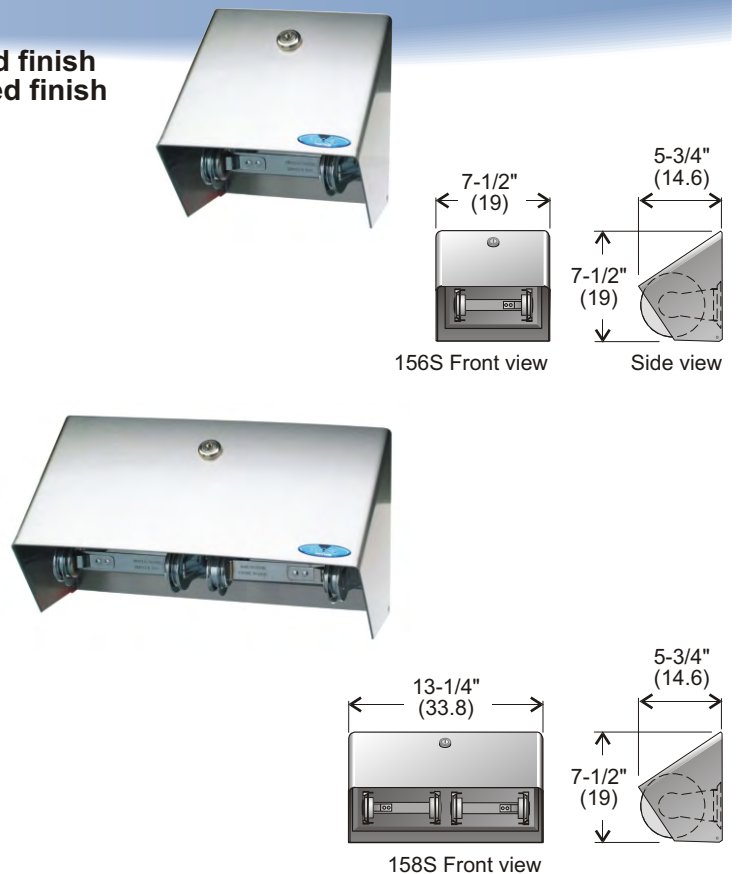
Roll tissue dispensers are standard Frost codes 146 (single) and 150 (double) as shown above. Sloped hood has tumbler keyed lock to prevent pilferage. All welded construction of 22 ga. stainless steel. Pivoting front hinged on hardened steel rivets.

Shipping Weight:

- Code 156S: 2 lb. (.9 kg), Code 158S: 3 lbs., (1.3 kg)

Installation:

For unrestricted access, bottom of dispenser to floor should not exceed 44" (111.7). Mounting screws provided.



Dispensers with Shelf

Code 158-10: Dispenser with shelf, stainless steel no. 4 brushed finish

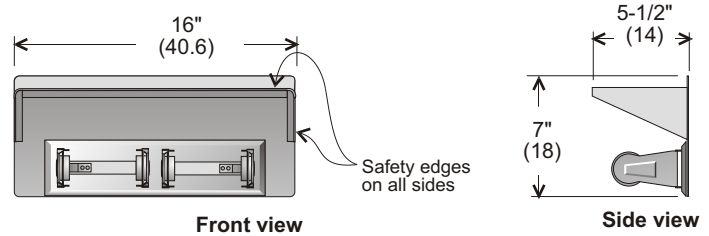
Specifications:

Site Location: Ideal for areas where excess toilet tissue rolls can be stored with the dispenser.

Materials: Shelf and back formed from 22 gauge stainless steel no. 4 brushed finish. Complete with double roll toilet tissue dispenser.

Shipping Weight: Code 158-10: 5 lbs., (2.25 kg), Code 158S: 5-1/2 lbs., (2.5 kg)

Installation: For unrestricted access, bottom of dispenser to floor should not exceed 44" (111.7). Mounting screws provided.



Roll Toilet Tissue Dispenser

Code 159: Vertical double roll white epoxy finish

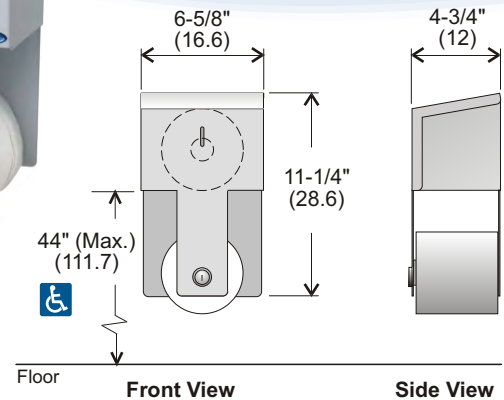
Specifications:

Site Location: Ideal for areas requiring a heavy duty economical dispenser. Semi-concealed top promotes the use of one roll at a time.

Features: Dispenses all standard toilet tissue rolls including 4.2" x 4.5", 500 sheet rolls. Comes with keyed tumbler lock to prevent pilferage and vandalism. Front loading for easy service and maintenance. Tissue rolls are not removable without keyed access. Welded construction of both 18 ga. (front) and 20 ga. (back) cold rolled steel. Body secured to back with full length piano hinge.

Capacity / Shipping Weight: Two roll capacity, 3 lbs., (1.35 kg)

Installation: For unrestricted access, bottom of top roll to floor should not exceed 44" (111.7). Mounting screws provided.



Reserve Roll Toilet Tissue Dispenser

Code 165: Surface mount, 304 ss no. 4 finish
Code 165R: Recessed, 304 ss no. 4 finish
Code 165DP: Two compartment mounting, 304 ss no. 4 finish

Specifications:

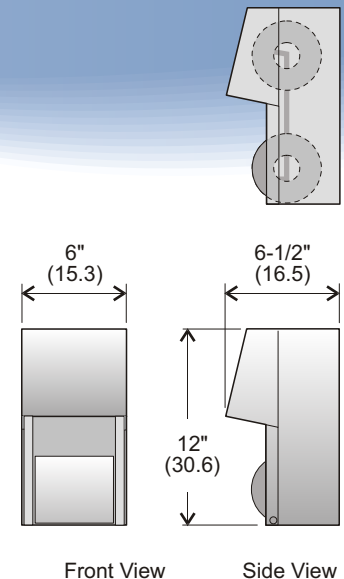
Features: The code 165 successive access dispenser will only dispense its reserve second roll after the first roll is empty. This insures that the custodian is replacing empty rolls only and not having to deal with two half empty rolls during maintenance rounds. Dispenses all standard toilet tissue rolls. Comes with keyed tumbler lock to reduce pilferage and vandalism. Front loading for easy service and maintenance. Rollers are non removable without keyed access. All stainless steel unit, welded construction of both 18 and 20 ga. SS.

Capacity / Shipping Weight: Two roll capacity, 5-1/2 lbs., (2.4 kg)

Installation: For unrestricted access, bottom of unit to floor does not exceed 44" (111.7). Mounting screws provided.



Code 165



Dispensers For Paper Products



Jumbo Toilet Tissue Dispenser

- Code 166:** White epoxy finish, 10" roll maximum with 2-1/4" to 3" spindle diameter
- Code 166S:** Stainless steel finish
- Code 168:** White epoxy finish, 13" roll maximum with 2-1/4" to 3" spindle diameter
- Code 168S:** Stainless steel finish

Specifications:

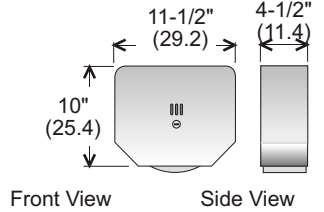
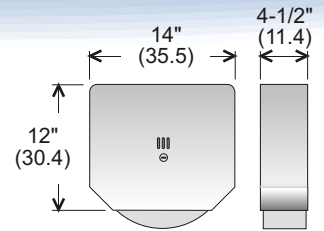
Wall mounted single roll dispenser offers durability in an attractive all metal keyed lock package. Welded all steel construction offers maximum fire protection.

Shipping Weight:

Code 166: 3 lbs. (1.4 kg), Code 168: 4 lbs., (2 kg)

Installation:

For unrestricted access, bottom of unit to floor should not exceed 44" (112). Mounting screws provided.



Front View

Side View

Twin Jumbo Toilet Tissue Dispenser

- Code 169:** Twin Jumbo Toilet Tissue Dispenser, stainless steel, 304 number 4 finish
- Code 170:** Twin Jumbo Toilet Tissue Dispenser, White epoxy finish

Specifications:

Ideal for high traffic areas requiring the durability of an all metal exterior.

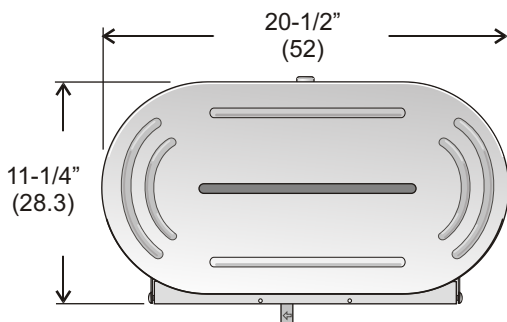
Dispensing: Holds two 9" (230mm) jumbo toilet tissue rolls. Moulded spindles can accommodate 2-1/4" or 3" (57 or 76mm) diameter cores. Spring loaded access tray will lock into position only when first roll on left side is depleted. When door is opened, access tray will return to original position. The custodian can then place the stub roll on the left side (default open position) and a full 9" roll in the blocked right side of the unit.

Materials: Door is drawn 18 ga. ss type 304 with brushed finish. Large viewing slot reveals tissue. Equipped with tumbler lock.

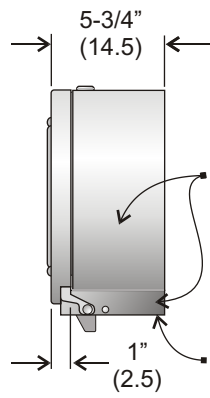
Installation: Recommended mounting height: Insure the top of unit does no exceed 31" (785) from height of floor.



Code 170:



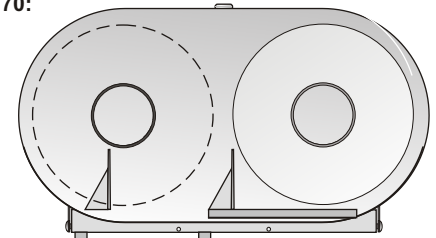
Front View



Side View

SS type 304 number 4 finish

Moulded cutting edges on all sides



Front View, see through

Starting position:

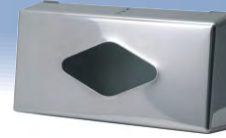
- Unit is loaded with two full 9" dia. jumbo rolls. The roll at the left is dispensed first.
- When empty the tray blocking access to the roll on the right side will slide over and lock into position. Tray automatically retracts to the starting position when door is opened.

Dispensers for Paper Products



Facial Tissue Dispenser

- Code 175:** Recessed, polished chrome finish
Code 180: Surface mount, polished chrome finish



Code 180, 3/4 view



Code 175, 3/4 view

Code 175 Specifications:

Face plate manufactured from 20 ga. steel. Die formed safety edge on diamond shaped opening allows easy removal of facial tissue. Recessed body is die formed from 20 ga. corrosion resistant galvanized steel. Slide catches secure Code 175 face plate to recessed body.

Shipping Weight: 2 lbs. (.9kg)

Code 180 Specifications:

Face plate manufactured from 20 ga. steel. Die formed safety edge on diamond shaped opening allows easy removal of facial tissue. Front pivots open on steel rivets for easy access and loading, (front secured with "P" keyed lock).

Shipping Weight: 2 lbs. (.9kg)

Paper Cup Dispensers

- Code 185:** White epoxy powder finish
Code 187: Stainless steel type 304 no. 4 brushed finish

Specifications: Body and back formed from 22 ga. steel. Body hinged on hardened steel rivets pivoting forward for easy loading and maintenance. Level gauge slot on front of unit. Friction catch to secure unit in closed position. Designed to dispense standard 4 oz. rolled edge regular and cone cups.

Shipping Weight: 2 lbs. (.9 kg)

Installation: Position bottom of fixture 48" (122cm) from floor. Secure to wall using screws and mounting holes provided.

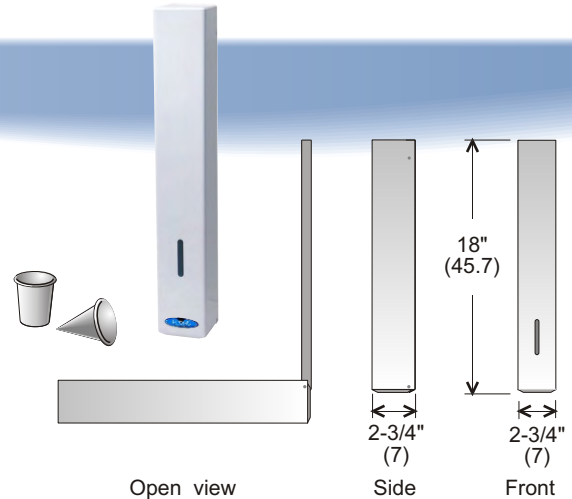


Table Napkin Dispensers

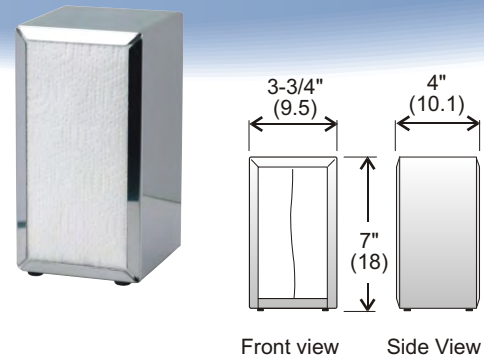
- Code 195C:** Polished chrome finish
Code 195W: White epoxy finish, (special order, min. Qty. 50 units)
Code 195B: Black epoxy finish, (special order, min. Qty. 50 units)
 Other colours and finishes also available.

Specifications: Economical table napkin dispenser comes in three finishes to suit both institutional and commercial applications.

Dispensing: Will accept all standard napkins.

Features: One piece die formed body of 22 gauge steel with slight radius on corners. Spring loaded pressure plates provide consistent dispensing of napkins. Dual sided dispensing. Rubber feet to protect countertops.

Shipping Weight: 1 lb. (.5 kg)



Toilet Seat Cover Dispensers

- Code 199W:** White epoxy finish
Code 199S: Stainless steel
Code 199-2500: Rest Assured® half fold seat covers, green seal. packed 2,500/case (10 sleeves of 250)



Specifications: Economical toilet seat cover dispenser comes in two finishes to suit both institutional and commercial applications.

Dispensing: Will accept all standard half fold toilet seat covers.

Features: One piece formed body of 22 gauge steel.

Shipping Weight: 3 lb. (1.5 kg)

Installation: Position unit such that dispenser opening is a maximum of 48" (122cm) from floor. Secure to wall using screws and mounting holes provided.



Free Standing Waste Receptacles

- Code 300-NL:** Large free standing receptacle
42" high, (109cm), white finish.
- Code 301-NL:** Medium free standing receptacle
34-3/4" high, (88cm), white finish
- Code 302-NL:** Small free standing receptacle
26-3/4" high, (68cm), white finish
- Code 301-NLS:** Medium free standing receptacle
33-1/4" high, (84.5cm), stainless steel finish
- Code 301R-NL:** Medium free standing recycling receptacle 34-3/4"
high, (88cm), recycling blue finish

Specifications:

The Frost free standing series of waste containers can be used in almost any application. The medium and small units also fit under most countertops. The all metal construction is ideally suited for fire protection and rugged use.

Features:

Rounded soft edge design. All welded construction of 22 gauge cold rolled steel. Optional light weight 26 gauge galvanized steel liner provides extra fire protection. All units come with standard bag holder apparatus. Finished in hybrid epoxy polyester powder coat paint and black vinyl trim. Recessed feet elevate the unit to provide a neat appearance with minimal maintenance. Packaged in corrugated cartons.

Capacity / Shipping Weight:

300-NL: 105 litres (28 US, 23 imp. gal.), shipping weight: 27 lbs., (14 kg)

Recommended bag size: 35" x 50"

301-NL: 80 litres (21 US, 17.5 imp. gal.), shipping weight: 23 lbs., (12 kg)

Recommended bag size: 26" x 36"

302-NL: 54 litres (14 US, 12 imp. gal.), shipping weight: 19 lbs., (10 kg)

Recommended bag size: 26" x 36"

Optional Liners:

300-500: For code 300, 80 litres (21 US, 17.5 imp. gal.)

Shipping weight: 13 lbs., (5.8 kg)

Dimensions: 31" (78.7) x 12-1/2" (31.7) x 12-1/2" (31.7).

301-500: For code 301, 64 litres (16 US, 14 imp. gal.)

Shipping weight: 10 lbs., (4.5 kg)

Dimensions: 25" (63.5) x 12-1/2" (31.7) x 12-1/2" (31.7).

302-500: For code 302, 41 litres (11 US, 9 imp. gal.)

Shipping weight: 6 lbs., (2.7 kg)

Dimensions: 16" (40.6) x 12-1/2" (31.7) x 12-1/2" (31.7).

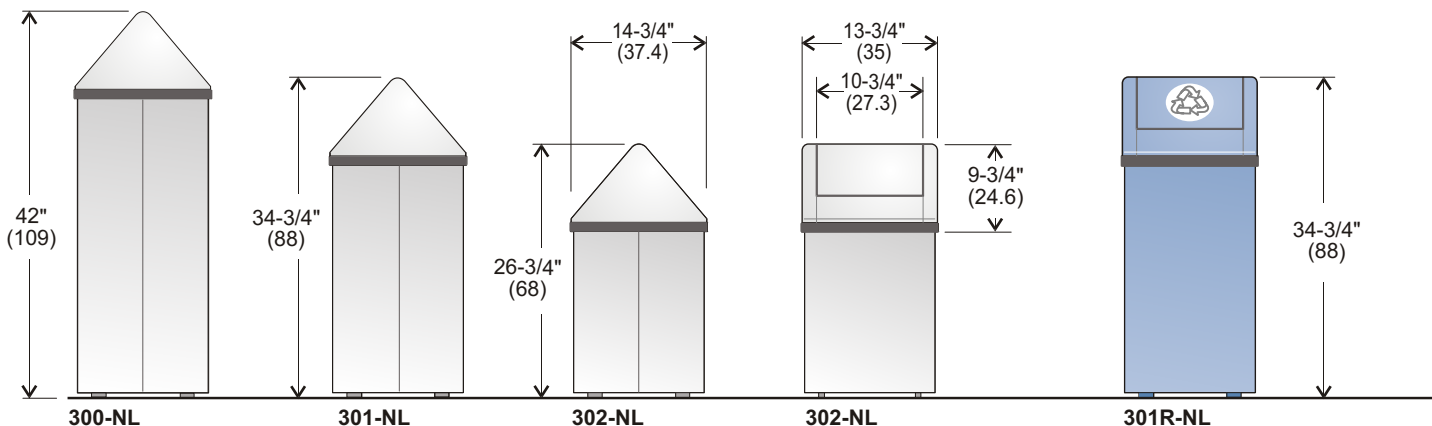
Barrier Free Access:

All units meet barrier free access guidelines.



Code 301R-NL

Code 301-NLS



Wall Mounted Waste Receptacles

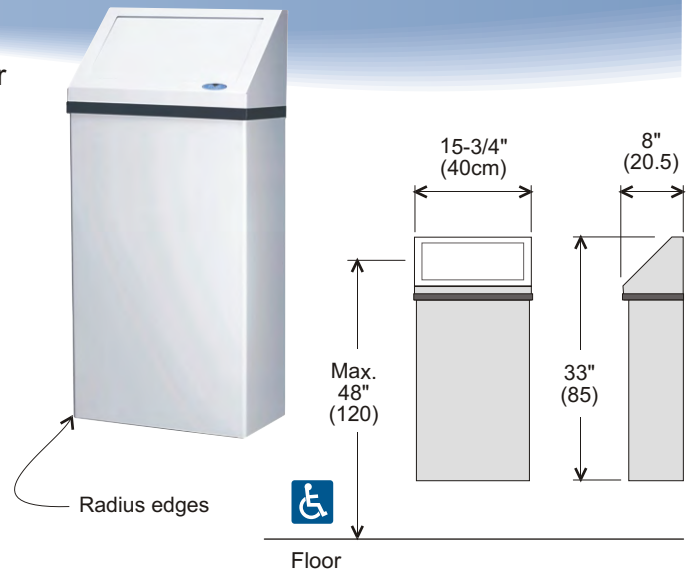
- Code 303 NL:** White epoxy finish
- Code 303:** White epoxy finish, with galvanized liner
- Code 303-3 NL:** Stainless steel type 304
no. 4 brushed finish
- Code 303-3:** Stainless steel type 304
no. 4 brushed finish with liner

Specifications:

The 303 wall mounted waste receptacle is designed to conserve floor space in medium to light duty areas. All steel construction offers maximum fire protection with no openings on sides or bottom of unit. Tight sealing head and spring loaded door promote oxygen starvation. When used with optional galvanized liner there is added insulative fire protection. Comes with standard bag holder apparatus.

Capacity/Shipping Weight: 11 gal. (50 litres), shipping weight: 20 lbs. (9 kg.). Recommended bag size: 26" x 36"

Installation: For barrier free mounting insure that centre of inlet door does not exceed 48" (120 cm) above floor level.



Jumbo Wall Mounted Waste Receptacles

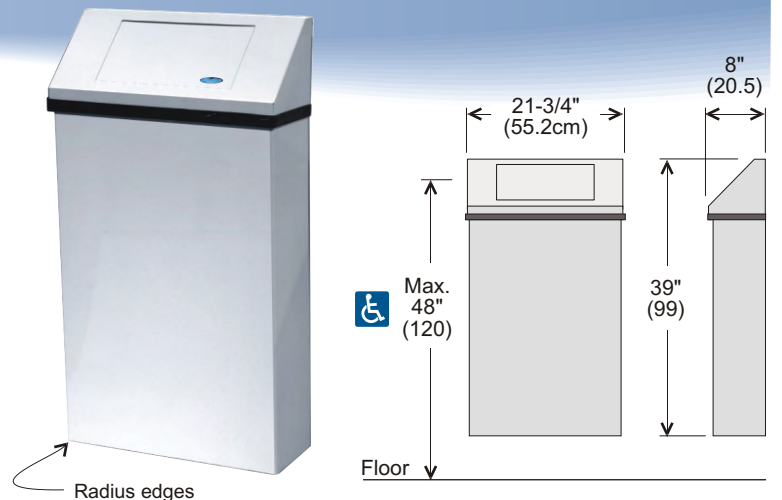
- Code 304NL:** Jumbo, white epoxy finish
- Code 304NLS:** Jumbo, stainless steel

Specifications:

The 304 wall mounted waste receptacle is designed to conserve floor space in medium to heavy duty areas. All steel construction offers maximum fire protection with no openings on sides or bottom of unit. Tight sealing head and spring loaded door promote oxygen starvation. Comes with standard bag holder apparatus.

Capacity/Shipping Weight: 17 gal. (77 litres), shipping weight: 27 lbs. (12.2 kg.)

Installation: For barrier free mounting insure that centre of inlet door does not exceed 48" (120 cm) above floor level.



Security Waste Receptacles

- Code 307:** Security Receptacle, regular capacity, black finish
- Code 307J:** Security Receptacle, large capacity, black finish
- Code 307JH:** Security Receptacle with hood, large capacity, black finish

Specifications: The Code 307 series of free standing waste receptacles are ideal for high traffic areas requiring the quality and durability of an all metal unit.

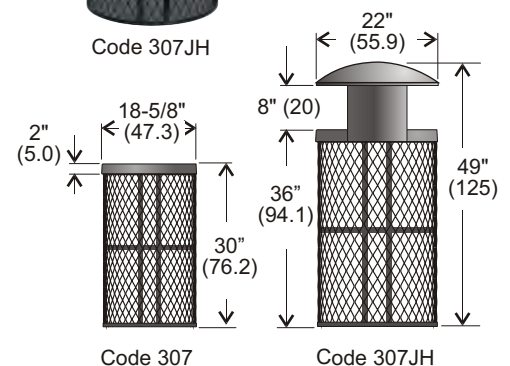
Security Feature: When used with clear plastic bags, expanded metal frame allows for the easy detection of suspicious looking parcels.

Features: 307: All welded metal construction. Spun 18 ga. crs top. One piece roll formed 18 gauge heavy duty expanded metal body. Polyester powder coated exterior grade finish. Hood fabricated from 18 ga crs, all welded construction.

Capacities: Code 307: 27.5 gal., 32 US, (125 litres), 307J: 45 gal., 55 US (206 litres).



Code 307JH

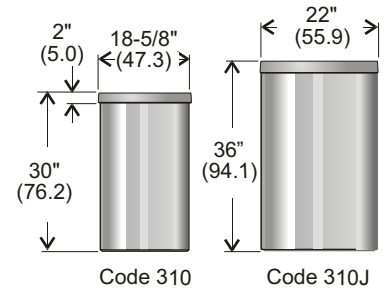


Waste Receptacles



Architectural Waste Receptacles

- Code 310S:** Stainless steel, type 430 no. 4 finish
- Code 310W:** White finish body with stainless steel top
- Code 310B:** Black finish body with stainless steel top
- Code 310J:** Jumbo sized unit, ss, type 430 no. 4 finish
- Code 310-500:** Optional plastic liner



Specifications:

The Code 310 stainless steel free standing waste receptacles are ideal for high traffic areas requiring the quality and durability of an all stainless unit without the commitment of wall mounting. The 310 offers clean geometric design lines with radiused corners, ideal for lobbies and reception areas.

Features: 310S: All stainless steel construction, no 4 brushed finish. Stainless steel top is 18 ga. type 304. One piece roll formed 22 gauge stainless steel body (20 ga. body on 310J).

Capacities: Code 310: 27.5 gal., 32 US, (125 litres), 310J: 45 gal., 55 US (206 litres). Optional plastic liner for code 310 only, 19 gal. (86 litres).

Shipping weight: Code 310: 31 lbs. (13.7 kg.). Code 310J: 43 lbs. (19.5 kg.).

Free Standing Waste Receptacle with Ash Urn

Code 311SA: Stainless waste receptacle with ash urn

Specifications:

Heavy duty all stainless unit is ideal for designated smoking areas.

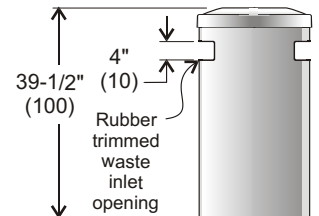
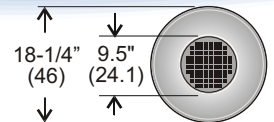
Materials: 18 gauge stainless steel type 304 domed top. All stainless ash urn with baffle opening. Body is one piece rolled formed all welded stainless steel construction (22 gauge type 430 no. 4 finish). Bag holder apparatus. Non removable top.

Capacity: 27.5 gal. (125 litres).

Shipping weight: 44 lbs. (20 kg)



Grated area to extinguish and dispose of cigarettes



Wall Mounted Waste Receptacles

- Code 312S:** Wall mounted open top ss waste receptacle
- Code 312SA:** Wall mounted receptacle with ash urn

Specifications:

Heavy duty all stainless unit is ideal for pedestrian common areas.

Materials: 18 gauge stainless steel type 304 domed top. Body is one piece rolled formed all welded stainless steel construction (22 gauge type 430 no. 4 finish). Bag holder apparatus. Non removable top.

Capacity: 27.5 gal. (125 litres). Code 312D: 13 gal. (60 litres)

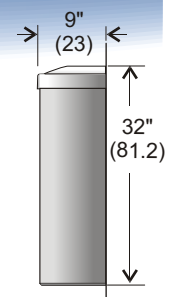
Shipping weight: 37 lbs. (16.7 kg.)



Code 312SA



3/4 View
Code 312S



Elevation
Code 312SD



All ARC series codes (Codes 310-313) are also available in powder coated black and white finishes. To specify colours replace the standard "S" (which stands for stainless) and add the following abbreviations on each code. B: Black, W: White. example: 311B = Code 311 in black finish. All painted units come with stainless steel top.

Recycle Station

Wall Mounted Recycling Unit

Recycle Station

Code 315: **Modular Recycling Station**, Indoor/outdoor, blue and grey two tone finish. Includes two roto-moulded plastic liners and category labels in French and English.

Code 315S: **Modular Recycling Station**, stainless steel finish.

Code 315-100: Back to back mounting kit.

Code 315-500: Additional plastic liner.

Code 315-501: English and French label pack.

Site location: Wall mounted fixed design eliminates the possibility of blocking exits in the event of an emergency.

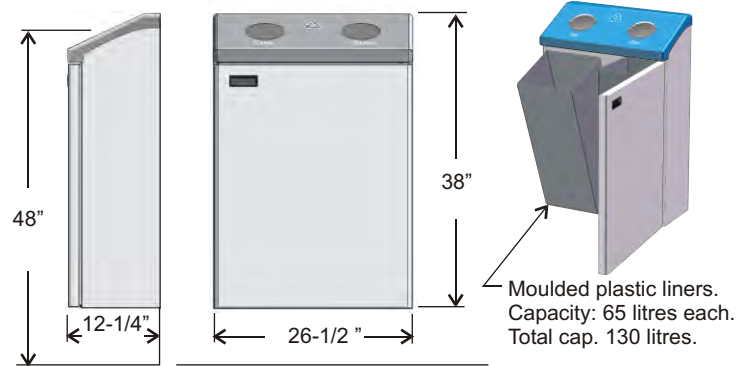
Features: Flexible modular component design to accommodate specific separation requirements. Ergonomic front loading door reduces risk of back injury. Inclined top discourages use as a table or chair. All exterior components are fabricated metal for maximum fire protection.

Two leak proof roto moulded polyethylene liners. Optional metal liners available on special order (Code 315-500G).

Labels Included: Glass, Plastic, Cans, Trash, Cans/Plastic, Glass/Plastic, White Paper Only, Glass/Cans/Plastic, Paper, Trash/Organic and Organic labels in both English and French. Full length piano hinge on door. Magnetic latch on door. Assists commercial and institutional organizations with source separation programs.

Capacity: Each liner has a 67 litre capacity, 134 litres in total (29 imp. gal. In total).

Shipping Weight: 50 lbs. (23 kg.)



Multiple units can be mounted side by side as required.

Floor Standing Recycling Unit, Indoor/Outdoor

Code 316: **3 Stream Recycling Station**, blue and grey two tone finish.

Code 316S: **3 Stream Recycling Station**, all stainless steel finish.

Code 316-505H: **Modular hood**, blue polyester powder coat finish.

Code 316-505HS: **Modular Hood**, stainless steel finish.

Code 315-500: Additional plastic liner.

Code 315-501: English and French label pack.

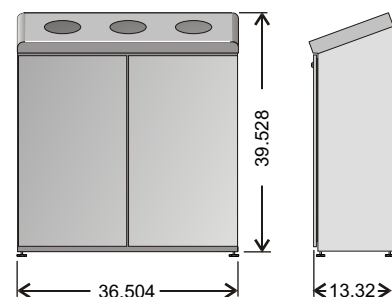
Site location: Floor mounted 3 stream design can be used indoors or outdoors.

Features: Three streams accommodates specific separation requirements. Ergonomic front loading doors reduces risk of back injury. Inclined top discourages use as a table or chair. All exterior components are fabricated metal for maximum fire protection. Three leak proof roto moulded polyethylene liners. Optional metal liners available on special order (Code 315-500G).

Labels Included: Comes with Glass, Plastic, Cans, Trash, Cans/Plastic, Glass/Plastic, White Paper Only, Glass/Cans/Plastic, Paper, Trash/Organic and Organic labels in both English and French. Full length piano hinges on doors. Tumbler lock door with latching on lower portion of the door. Assists commercial and institutional organizations with source separation programs.

Capacity: Each liner has a 67 litre capacity, 201 litres in total (45 imp. gal. In total).

Shipping Weight: 70 lbs. (35 kg.)



Wall Mounted Waste Receptacles

- Code 326:** Regular capacity, 7-1/2" (19 cm) deep
Code 327: Extra large capacity, 11-1/2" (29.2 cm) deep.
Code 320: Vanity mounted receptacle

Specifications:

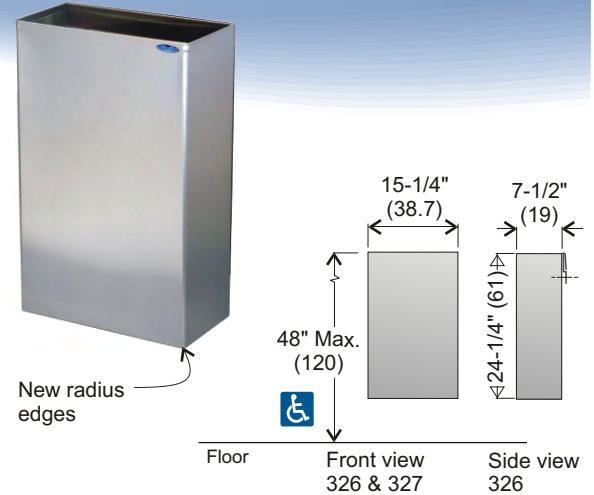
Waste receptacle is completely removable for convenient maintenance. Open top provides easy access. Comes with standard bag holder apparatus. Code 327 provides extra large waste capacity with its 11-1/2" (29.2 cm) depth. All welded construction of 22 ga. no. 4 brushed finish stainless steel.

Capacity/Shipping Weight:

Code 326: 11 gal. (50 litres), shipping weight: 15 lbs. (7 kg.)
 Code 327: 15 gal. (68 litres), shipping weight: 17 lbs. (8 kg.)

Installation:

For barrier free mounting insure that top of waste receptacle does not exceed 48" (120 cm) above floor level.



Semi Recessed Waste Receptacles

- Code 330:** Regular capacity, utilizes Code 326 bin
Code 337: Extra large capacity, utilizes Code 327 bin

Specifications:

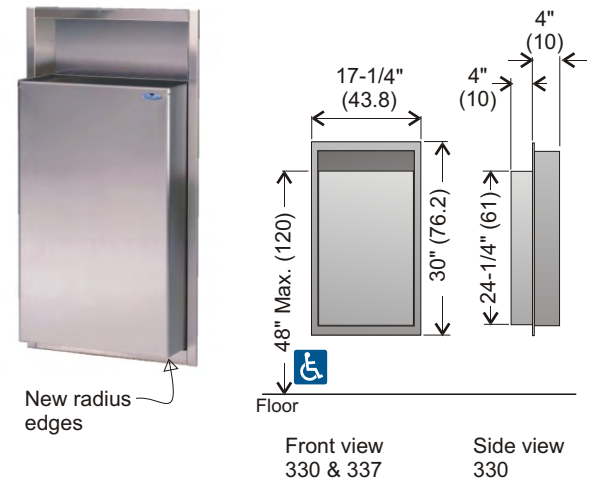
Semi recessed design provides large capacity receptacle with minimum space. Code 337 provides extra large waste capacity. Waste receptacle is completely removable for convenient maintenance. Comes with standard bag holder apparatus. Recessed wall body made of 22 gauge stainless steel type 304 number 4 brushed finish.

Capacity/Shipping Weight:

Code 330: 11 gal. (50 litres), shipping weight: 20 lbs. (9 kg.)
 Code 337: 15 gal. (68 litres), shipping weight: 29 lbs. (13 kg.)

Installation:

Provide wall opening 28-3/4" (73.3) H x 16" (40.6) W x 4" (10.2) D.
 For barrier free mounting insure that top of waste receptacle does not exceed 48" (120 cm) above floor level.



Recessed Waste Receptacles

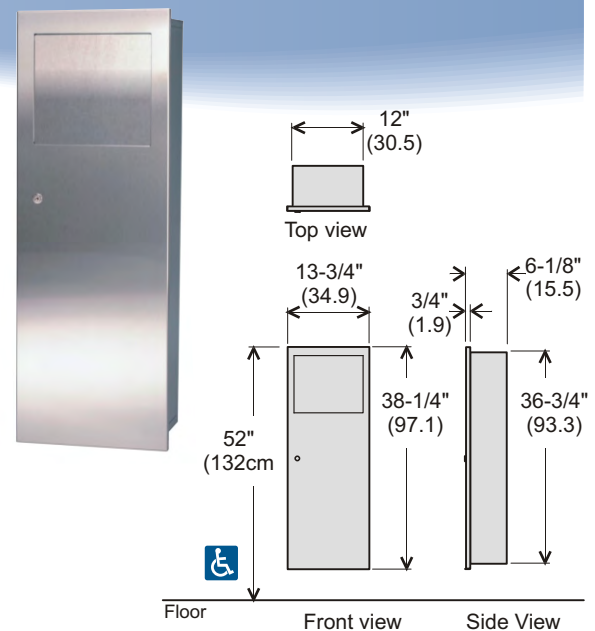
- Code 340A:** Stainless type 304 fully recessed
Code 340B: Stainless type 304 semi recessed
Code 340C: Stainless type 304 surface mount
Code 340-14A: Stainless type 304 fully recessed, 4" deep
Code 340-14C: Stainless type 304 surface mount, 4" deep

Specifications:

All welded construction of 22 ga. stainless steel type 304 no. 4 brushed finish. Full length stainless steel piano hinge and tumbler keyed lock on door. Recessed body 20 ga. corrosion resistant galvanized steel. Counter balanced self closing waste inlet door,

Capacity: Removable leakproof rotationally moulded liner with 22 litre capacity (5 imp. gal., 6 US).

Installation: Provide 37-1/4" (94.6) high x 12-3/8" (31.5) wide x 6" (15.2) deep wall opening, 3" (7.6 cm) deep for 340B units. Collar is secured between recessed body flange and wall. Drill mounting holes as required. For unrestricted access, height of top of unit to floor must not exceed 52" (132 cm).



Hands Free

Auto Soap

Dependable hands free dispensing of soap with low operating costs. (see page 26)

Auto Soap™



Auto Air

Touch free air dryers available in 120 and 220 volt, in white and chrome finishes. (see page 41)

Auto Air™



Auto Roll

The Auto Roll towel dispensers are available in many of our standard dispenser/disposal configurations, (shown at right 422-70, Code 400-70 on opposite page).



Typical Installations:

Institutional: Hands Free

Frost has introduced the Auto line of dispensers to meet the increased demand for hands free dispensing applications. We now offer a complete, touch free line of products to provide the hands free dispensing of soap, paper towel or air drying. Ideal for institutional installations or any area looking to implement added sanitary measures.



Combination Dispenser / Disposal Fixture

- Code 400A:** Stainless type 304 fully recessed
- Code 400B:** Stainless type 304 semi recessed
- Code 400C:** Stainless type 304 surface mounted
- Code 400-14A:** Stainless type 304 fully recessed 4" deep
- Code 400-14C:** Stainless type 304 surface mounted 4" deep
- Code 400PL:** Solid core plastic laminate fully recessed

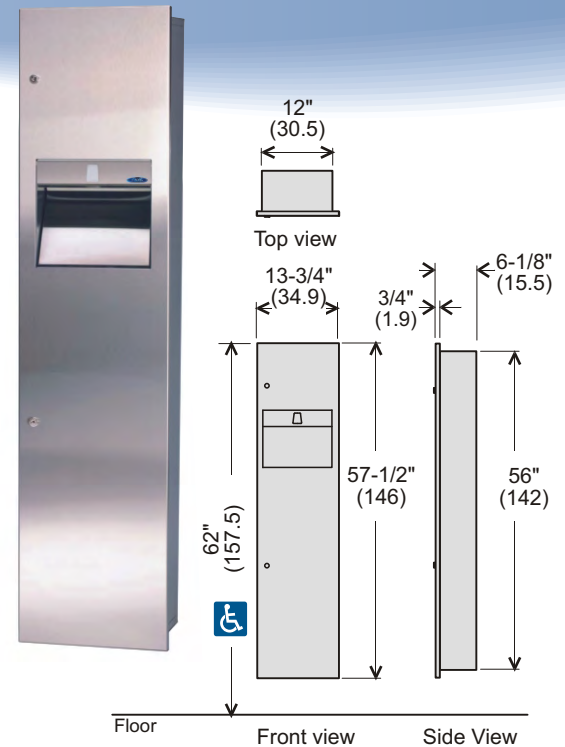
Specifications:

Our largest combination fixture is ideal for high traffic areas.

Features: Universal towel dispenser will accept all standard roll and single fold towels. Note: 400-14 units will dispense multifold towels only. Stainless steel (304, # 4 brushed) towel cradle. Heavy duty 18 gauge stainless steel door (304, # 4 brushed finish). Secured with two tumbler keyed locks. All doors are hinged with full length stainless steel piano hinges. Counterbalanced stainless steel waste inlet door (20 ga.) provides maximum fire protection. All welded recessed body fabricated from 20 gauge corrosion resistant galvanized steel.

Capacity: Removable leakproof roto moulded liner with 32 litre capacity (7 gal. imp., 8.5 gal. US). Code 400-14: 18 litres (4 gallons)

Installation: Provide 56-3/8" (143.8) high x 12-3/8" (31.5) wide x 6" (15.2) deep wall opening, 3" (7.6 cm) deep for 400B units, 4" (10.2 cm) deep for 400-14A. Collar is secured between recessed body flange and wall. Drill mounting holes as required. For unrestricted access, height of top of unit to floor must not exceed 62" (157.5cm).



Control Roll Dispenser

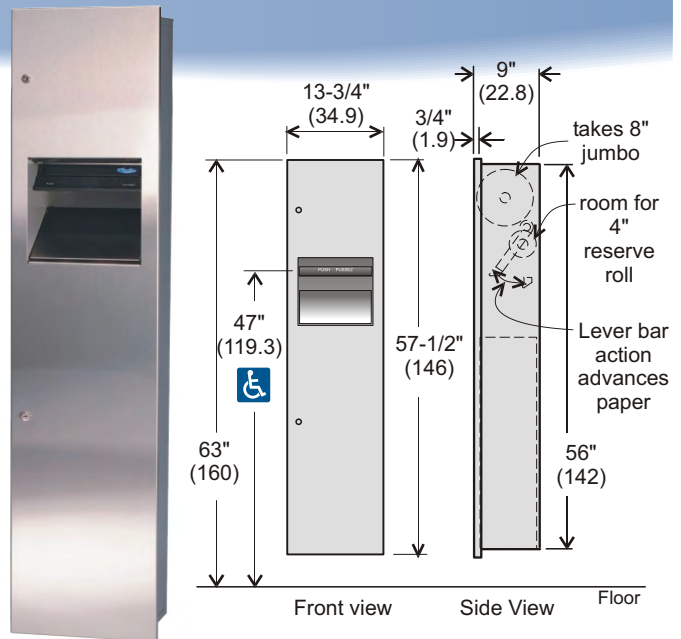
- Code 400A-50:** Stainless type 304 fully recessed
- Code 400B-50:** Stainless type 304 semi recessed
- Code 400C-50:** Stainless type 304 surface mounted

Specifications:

Additional features to Code 400: Extra deep combination fixture is ideal for high traffic areas. Universal towel dispenser will accept all standard 8" roll towels. Controlled delivery with easy push action lever, takes up to 4" diameter reserve roll to eliminate paper towel waste. Stainless steel (safety guarded) saw tooth cutting bar.

Capacity: Removable galvanized steel liner (26 ga.) with 47 litre capacity (10.5 gallons).

Installation: Provide 56-3/8" (148.3) high x 12-1/2" (31.7) wide x 8-1/2" (21.5) deep wall opening. Drill mounting holes as required. For unrestricted access, height of top of unit to floor must not exceed 63" (160), this will result in the push bar lever being 47" (119.3 cm) or less from floor.



Touch Free Dispenser

- Code 400A-70:** Stainless type 304 fully recessed
- Code 400B-70:** Stainless type 304 semi recessed
- Code 400C-70:** Stainless type 304 surface mounted

Additional features to Code 400-50: Universal towel dispenser will accept jumbo roll towels max. 8" diameter. Large detection zone senses hand when placed in a natural position under dispenser to deliver a 12" length of towel. Towel delivery is quiet and uniform. Hands free dispenser reduces paper flow, and provides maximum hygiene. Operates with 4 "D" size alkaline batteries. 4 alkaline batteries have been independently tested and found to provide 35,000 hand dries. AC adaptor also included.



Combination Dispenser / Disposal Fixtures



Compact Dispenser / Disposal

- Code 410A:** Stainless type 304 fully recessed.
- Code 410B:** Stainless type 304 semi recessed.
- Code 410C:** Stainless type 304 surface mounted.
- Code 410-14A:** Stainless type 304 fully recessed 4" deep.
- Code 410-14C:** Stainless type 304 surface mounted 4" deep.
- Code 410PL:** Solid core plastic laminate fully recessed.

Specifications:

The 410 is our medium sized combination fixture, with all specifications equal to the Frost code 400 listed on previous page.

Features:

Universal towel dispenser will accept all standard roll and single fold towels. Note: 410-14 will dispense multifold towels only.

Capacity:

Removable leakproof roto moulded liner with 15 litre capacity (4 gallons). Code 410-14: galvanized welded liner, 9 litres (2 gallons).

Installation:

Provide 37-1/4" (94.6) high x 12-3/8" (31.5) wide x 6" (15.2) deep wall opening, 3" (7.6 cm) deep for 410B units, 4" (10.2 cm) deep for 410-14A. Collar is secured between recessed body flange and wall. Drill mounting holes as required. For unrestricted access, height of top of unit to floor must not exceed 57" (144.7cm).

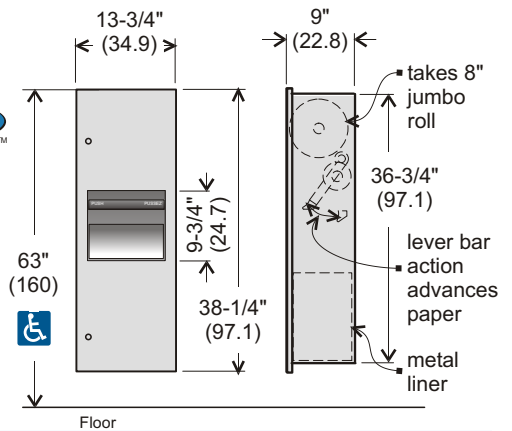
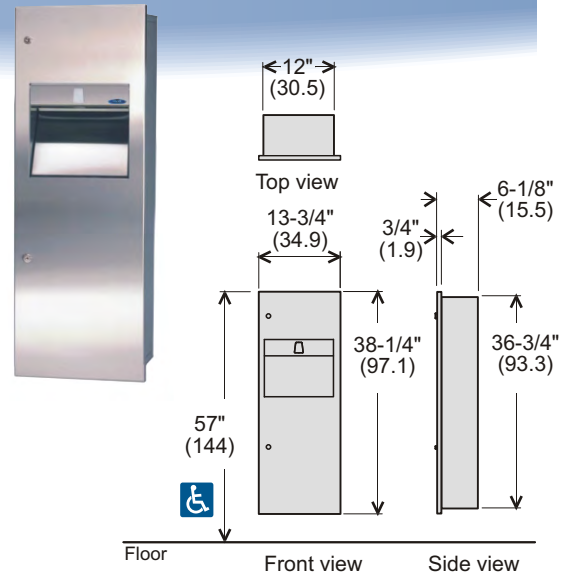
- Code 410-50A:** Control Roll, stainless, fully recessed.
- Code 410-50B:** Control Roll, stainless, semi recessed.
- Code 410-50C:** Control Roll, stainless, surface mounted.

Specifications:

Extra deep combination fixture is ideal for high traffic areas.

Universal towel dispenser will accept all standard 8" wide roll towels. Controlled delivery with easy push action lever. Removable galvanized steel liner (26 ga.) with 18 litre capacity (4 gallons).

Provide 37-1/4" (94.6) high x 12-1/2" (31.7) wide x 8-1/2" (21.5) deep wall opening. Drill mounting holes as required.



Mini Dispenser / Disposal

- Code 415A:** Stainless type 304, fully recessed.
- Code 415B:** Stainless type 304, semi recessed.
- Code 415C:** Stainless type 304, surface mounted.
- Code 415-14A:** Stainless type 304, fully recessed 4" deep.
- Code 415-14C:** Stainless type 304, surface mounted 4" deep.
- Code 415PL:** Solid core plastic laminate, fully recessed.

Specifications:

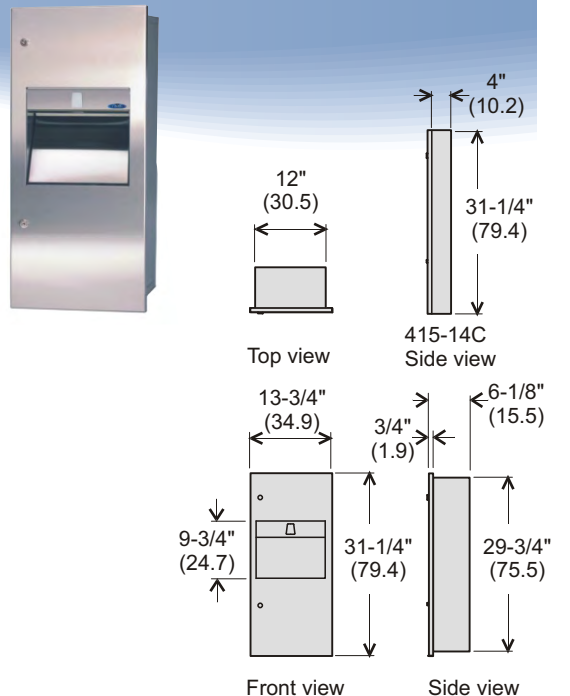
The 415 is our smallest combination fixture, all specifications equal to the Frost code 410 listed at top of this page. Code 415-14 dispenses multifold only.

Capacity:

Removable roto moulded plastic liner, 8.5 litre capacity (1.9 gallons). Code 415-14: 4.25 litres (.9 gallons, galvanized steel liner).

Installation:

Provide 30-1/4" (76.8) high x 12-3/8" (31.5) wide x 6" (15.2) deep wall opening, 3" (7.6 cm) deep for 415B units, 4" (10.2 cm) deep for 415-14A units. Collar is secured between recessed body flange and wall. Drill mounting holes as required.



Combination Dispenser / Disposal Fixtures



Combination Dispenser / Disposal

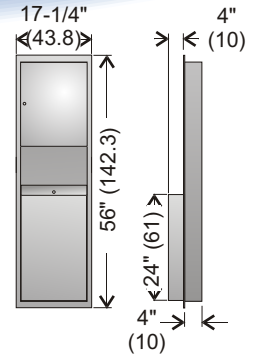
- Code 422A:** Recessed, stainless steel, type 304
- Code 422C:** Surface mounted, stainless steel, type 304
- Code 427:** Comes with large capacity waste container

Specifications: Semi recessed combination dispenser/waste receptacle can be mounted into any wall configuration requiring a minimum of 4" depth.

Features: Locking cabinet door hinged with full length stainless piano hinge. Designed to dispense 500 multifold towels. All welded construction with locking removable waste bin. Semi recessed design provides large capacity receptacle with minimum space. Code 427 provides extra large waste capacity. Comes with standard bag holder apparatus. Recessed wall body and waste container are 22 gauge stainless steel type 304 no. 4 finish.

Capacity: Code 422A, 442C: 11 gal. (50 litres), Code 427: 15 gal. (68 litres).

Installation: Provide wall opening 54-1/2" (138.9)h x 16" (40.6)w x 4" (10.2)d.



422A

Combination Control Roll Dispenser / Disposal

- Code 422A-50:** Stainless steel type 304, Recessed 4"
- Code 422C-50:** Stainless steel type 304, Surface Mounted
- Code 427-50:** Stainless steel type 304, Recessed 4" (comes with large waste receptacle)

Specifications: The 422-50 has the same material specifications as the code 422 unit listed above.

Control Roll: Control dispenser reduces paper waste. Designed to dispense jumbo roll towels max. 8" diameter (4" reserve roll).



Push lever bar

The Code 422-50 and Code 422-70 look virtually identical. The Hands free unit however does not have a push bar lever.

Auto Cut, Combination Dispenser / Disposal

- Code 422-60A:** Stainless steel type 304, Recessed 4"
- Code 422-60C:** Stainless steel type 304, Surface Mounted
- Code 427-60A:** Stainless steel type 304, Recessed 4" with large waste receptacle.
- Code 427-60C:** Stainless steel type 304, Surface Mounted with large waste receptacle

Specifications: The 422-50 has the same material specifications as the code 422 unit listed above.

Auto Cut Dispensing: When pulling on the exposed length of towel the dispenser will automatically cut an 11" (27cm) length of towel, a 3" length of towel is left to grab for next dispensing action.



422-60A

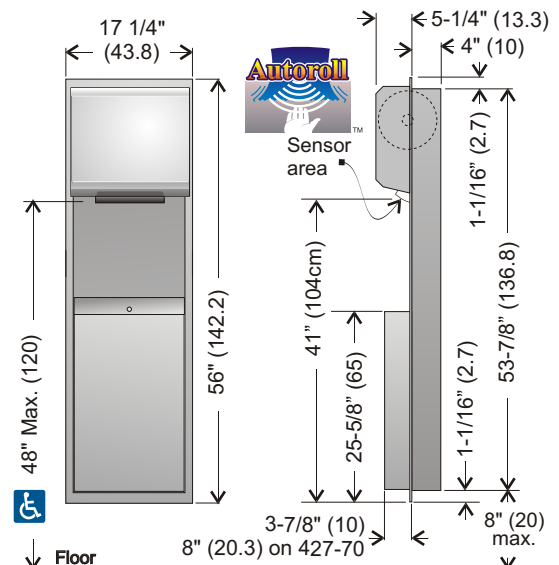
Hands Free Combination Dispenser / Disposal

- Code 422A-70:** Stainless steel type 304, Recessed 4"
- Code 422C-70:** Stainless steel type 304, Surface Mounted
- Code 427-70:** Stainless steel type 304, Recessed 4" (comes with large waste receptacle)

Specifications: The 422-70 has the same material specifications as the code 422 unit listed at the top of this page..

Touch Free: Large detection zone senses hand when placed in a natural position under dispenser to deliver a 12" length of towel. Towel delivery is quiet and uniform. Hands free dispenser reduces paper flow, and provides maximum hygiene. Operates with 4 "D" size alkaline batteries. Four alkaline batteries have been independently tested and found to provide 35,000 hand dries. Comes with ac adaptor. Designed to dispense jumbo roll towels max. 8" diameter.

Installation: See notes on code 422 installation listed above.



Sanitary Napkin Vendors



Single Vendor, Napkin or Tampon

- Code 606-1:** Napkin Vendor, white epoxy finish.
- Code 606-3:** Napkin Vendor, stainless steel, type 304 no. 4 brushed finish.
- Code 607-1:** Tampon Vendor, white epoxy finish.
- Code 607-3:** Tampon Vendor, stainless steel, type 304 no. 4 brushed finish.

Specifications:

Site Location:

The surface mounted vendor line provides easy flexible mounting on any type of wall material or construction.

Features:

Epoxy Finish: All welded construction of 20 and 22 gauge steel. Door hinged with full length steel piano hinge and secured with two tumbler keyed locks.

Stainless steel: All welded stainless steel construction, 20 & 22 gauge type 304 No. 4 brushed finish. Door hinged with full length stainless steel piano hinges and secured with two tumbler keyed locks. All units have removable coin box with tumbler lock keyed different from door. Coin mechanism for free, \$.10, \$.25, \$.50 or \$1.00 (coin) vending.

Shipping weight: 20 lbs. (9 kg) per unit.

Capacity:

606: 15 no. 4 napkin packages.

607: 22 standard tampon tubes.

Installation:

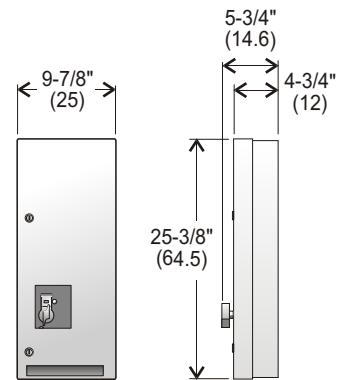
Secure unit to wall through holes in the back of unit with the four mounting screws provided. For barrier free mounting insure that the coin mechanism handle does not exceed 48" (120 cm) above floor level.



Code 606-1



Code 606-3



Double Napkin or Tampon Vendors

- Code 608-1:** Double Napkin/Tampon vendor White epoxy finish, surface mount
- Code 608-3:** Double Napkin/Tampon vendor Stainless steel type 304 no. 4 brushed finish surface mount

Specifications:

The surface mounted vendor line provides easy flexible mounting on any type of wall material or construction.

Features:

Epoxy Finish: All welded construction of 20 and 22 gauge steel. Door hinged with full length steel piano hinge and secured with two tumbler keyed locks.

Stainless steel: All welded stainless steel construction, 20 & 22 ga. type 304 No. 4 brushed finish. Door hinged with full length stainless steel piano hinge and secured with two tumbler keyed locks. All units have removable coin box with tumbler lock keyed different from door. Coin mechanism for free, \$.10, \$.25, \$.50 or \$1.00 (coin) vending.

Shipping weight: 25 lbs. (11.25 kg) per unit.

Capacity:

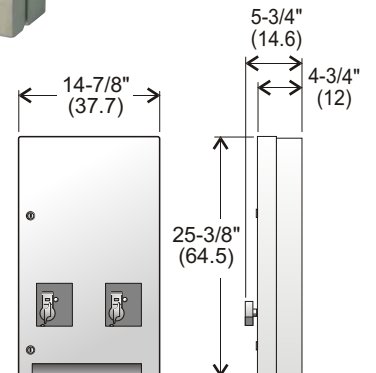
15 no. 4 napkin packages, 22 standard tampon tubes.

Installation:

Secure unit to wall through holes in the back of unit with the four mounting screws provided. For barrier free mounting insure that the coin mechanism handle does not exceed 48" (120 cm) above floor level.



608-3 Shown



Recessed Single Vendor, Napkin or Tampon

- Code 610-5:** **Recessed Napkin Vendor**, stainless steel, type 304 no. 4 brushed finish
Code 610-6 **Recessed Tampon Vendor**, stainless steel, type 304 no. 4 brushed finish

Specifications:

Site Location:

The recess mounted vendor line is detailed for architectural applications requiring minimal projection from wall.

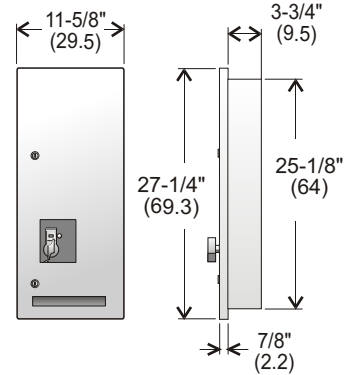
Features:

Coverall door is all welded stainless steel construction, 20 gauge type 304 No. 4 brushed finish. Door hinged with full length stainless steel piano hinges and secured with two tumbler keyed locks. Recessed wall box of 20 gauge satin coat galvanized steel. All units have removable coin box with tumbler lock keyed different from door. Interchangeable coinage mechanism for free, \$.10, \$.25, \$.50 or \$1.00 (coin) vending.

Shipping weight: 18 lbs. (8.2 kg) per unit.

Capacity: 610-5: 15 no. 4 napkin packages. 610-6: 22 standard tampon tubes.

Installation: Provide wall opening of 25-5/8"H (65) x 10-1/4"W (26) x 4"D (10.2). Drill mounting holes as required and secure to wall. For barrier free mounting insure that the coin mechanism handle does not exceed 48" (120 cm) above floor level.



Recessed Double Vendor

- Code 615-5:** **Double Napkin/Tampon vendor**
 Stainless steel type 304 no. 4 brushed finish

Specifications:

Site Location:

The recess mounted vendor line is detailed for architectural applications requiring minimal projection from wall.

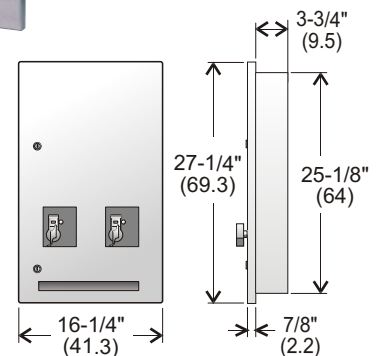
Features:

Coverall door is all welded stainless steel construction, 20 gauge type 304 No. 4 brushed finish. Door hinged with full length stainless steel piano hinges and secured with two tumbler keyed locks. Recessed wall box of 20 gauge satin coat galvanized steel. All units have removable coin box with tumbler lock keyed different from door. Interchangeable coinage mechanism for free, \$.10, \$.25, \$.50 or \$1.00 (coin) vending.

Shipping weight: 22 lbs. (10 kg) per unit.

Capacity: 15 no. 4 napkin packages, 22 standard tampon tubes.

Installation: Provide wall opening of 25-5/8"H (65) x 15"W (38.3) x 4"D (10.2). Drill mounting holes as required and secure to wall. For barrier free mounting insure that the coin mechanism handle does not exceed 48" (120 cm) above floor level.



Sanitary Products

- Code 650-NA:** **#4 Naturelle® Maxi Napkin**,
 Folded Maxi with twin grooves and cloth like cover.
Product dim.: 4-1/2" x 3" x 1-1/8". **Case dim.:** 21-13/16" x 10-7/8" x 15", 250/case,
Shipping Weight: 12 lbs.
- Code 650-TA:** **Naturelle® Tampons**,
 100% biodegradable, flushable cardboard applicator tampon
Product dim.: 5-1/8" long tube, 5/8" dia., 200/case.
Shipping Weight: 5 lbs.



Vendors / Napkin Disposals



Steel Security Heavy Duty Vendors

- Code 616:** Napkin vendor, Capacity 16 napkins
- Code 617:** Tampon vendor, Capacity 22 tampons
- Code 619:** Condom vendor, Capacity 54 condoms
- Code 619-500:** Ultra Condoms, Quantity: 72 (1/2 gross)

Specifications:

Features: Coin mechanisms can be free or specified to take, 25 cent, two quarter 50 cent or 1 dollar Canadian coin. Full coverall door designed with tapered corners. Heavy duty 16 gauge steel door mounted onto 18 gauge chassis. All metal coin mechanism with built in slip clutch. Three tumbler keyed locks. Full length solid steel dead bolt secures door to chassis. Semi-concealed padlock mounting to dead bolt. Padlock is not included. Optional mounting holes for 1/4" diameter lag type bolts.

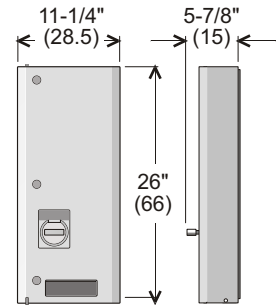
Shipping weight: 27 lbs. (12.3 kg).

Installation: To provide barrier free access insure that crank handle on coin mechanism does not exceed 47" (120) above the floor.

Padlock: Padlock for dead bolt should have a 5/16" shank diameter.



The steel security series™



Surface Mounted Napkin Disposals

- Code 620:** White epoxy finish
- Code 621:** Disposable waxed paper sanitary bag liner
- Code 622:** Stainless Steel type 304 no. 4 brushed finish

Specifications: Economical surface mounted unit provides flexible mounting and ease of maintenance for partition panel systems or any type of wall construction.

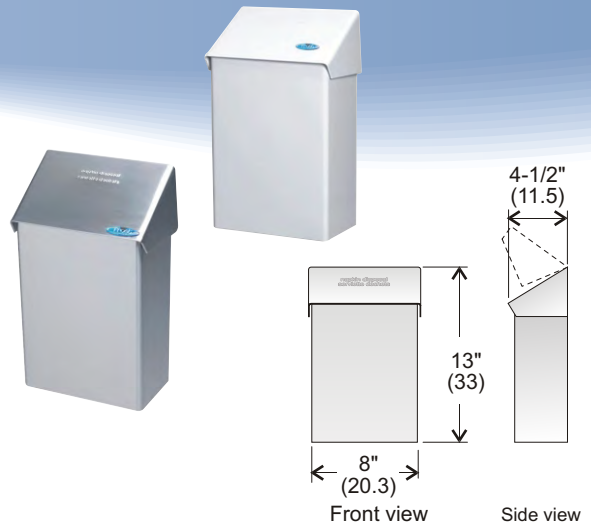
Features: Pivoting self closing lid. French/English napkin disposal label is embossed on lid.

Materials: Code 620: All welded crs construction (22 ga.). Code 622: All welded stainless steel construction (22 ga.). Pivoting lid on both units utilize full length piano hinges (ss hinge on Code 622).

621 bag size: 10-1/4 long x 7" wide x 4" open span.

Shipping weight: 4 lbs. (1.8 kg) per unit

Installation: Secure to wall using mounting holes and screws provided. For barrier free mounting insure that top of unit does not exceed 48" (120 cm) above floor level.



Hands Free Napkin Disposal

- Code 625 :** Stainless steel coverall door.

Specifications:

Site location: Ideal for high traffic areas requiring hands free operation. Hands free operation helps reduce the risk of cross contamination and blood borne pathogens.

Dispensing: Door is opened when hand is placed within 4" (10 cm) of sensor in door opening area and remains open for 5 seconds there after. Counterbalanced door swings freely in the event of depleted or missing batteries. Unit is powered by 4 "c" alkaline batteries (not included). Battery life is 10,000 cycles, or 2 years.

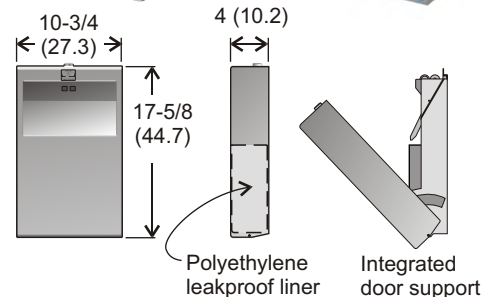
Materials: All metal construction, stainless steel cover all design. Polyethylene leakproof liner

Capacity: 5.1 litres. (1.1 gal.) **Shipping weight:** 8.5 lbs. (4 kg).

Installation: For unrestricted access, sensor area of unit to floor should not exceed 48" (120 cm). Mounting screws and instructions included.



Sensor detects within a 4" area (10 cm)



Napkin Disposal, Recessed with Coverall Door

Code 633-2: Fully recessed, stainless steel type 304, coverall door

Site location:

Recessed coverall door napkin disposal can be mounted into any wall configuration requiring a minimum of 4" depth.

Features:

Coverall door design provides easy access on top of unit. Waste bin is completely removable for convenient maintenance. Easy and safe removal of bin.

Materials:

22 gauge stainless steel type 304 No. 4 brushed finish on door. Door is self closing counter balanced and secured to recessed body. Recessed body is made of corrosion resistant galvanized steel.

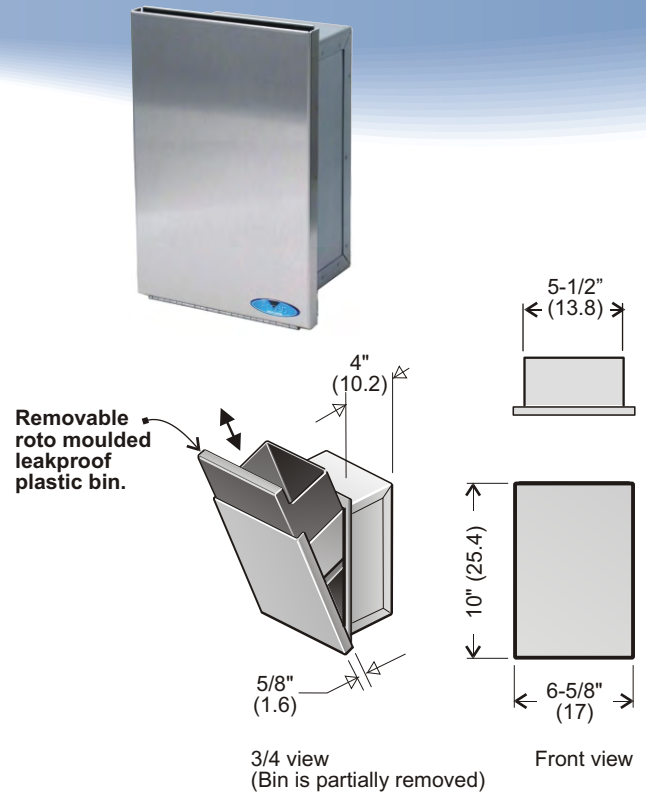
Liner:

Leakproof roto moulded plastic, completely removable.

Shipping weight: 6 lbs.(2.5 kg) per unit.

Installation:

Provide wall opening 5-7/8" (15) wide x 9" (23) high x 4" (10) deep. Drill mounting holes in wall box as required. For barrier free mounting insure top of unit, when mounted, does not exceed 48" (120) from floor level. Apply English/French "Napkin Disposal" label to lower front of unit.



Partition Mounted Napkin Disposal

Code 640: Partition mounted napkin disposal, stainless steel type 304

Site location:

The Code 640 unit is designed for use with standard partition systems with one unit serving two compartments.

Features: The same unit is used for end wall mounting when there is an odd number of compartments. One unit serves two compartments. Removable leakproof plastic waste bin for easy maintenance.

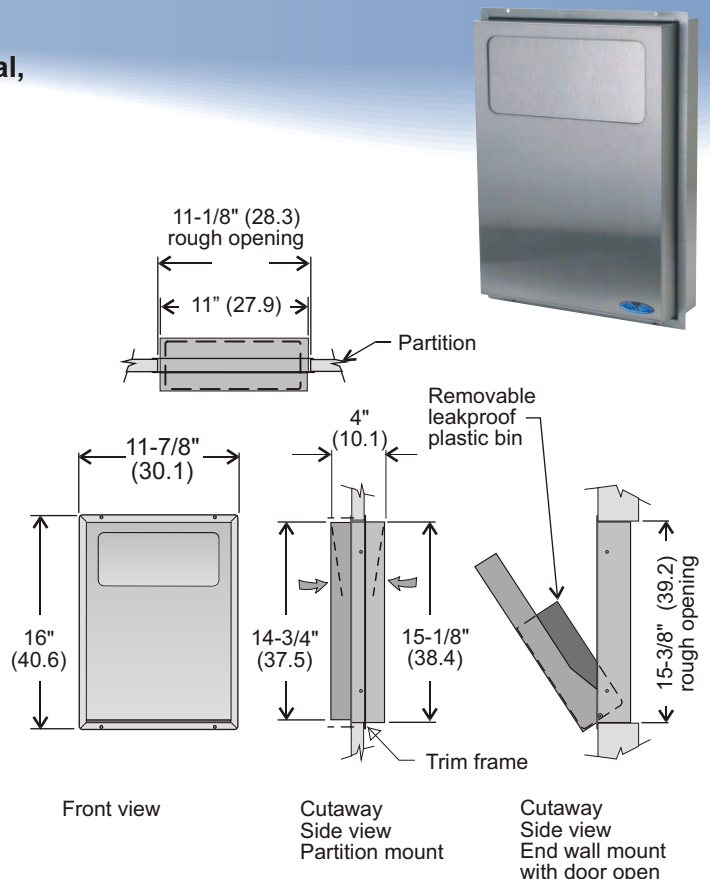
Liner capacity: 5 litres, 1 imp. gallon, 1.3 US gallons. Waste bin removable from one side. Self closing inlet doors. Comes with English/French labels.

Materials:

Full length stainless steel piano hinges. All welded stainless steel construction, 22 gauge type 304 No. 4 brushed finish.

Installation:

Provide wall opening 11-1/8"W (28.5) x 15-3/8"H (39.2), end wall installation requires 3" of depth (7.6). Secure to opening by sandwiching partition wall with frame sections of unit. Position top edge of unit 26" (66) from floor. For barrier free mounting insure that top of unit does not exceed 48" (120 cm) above floor level.



Soap Dispensers, Surface Mounted



Liquid Soap Dispenser

Code 700: Gravity Fed Liquid Soap Dispenser

Specifications:

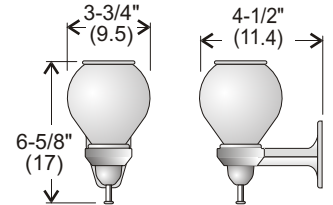
Features: Chrome plated gravity fed push up type liquid soap valve. Globe screws into wall bracket and valve.

Soap Types: Recommended for use with coconut oil base, easy flowing liquid soaps.

Capacity: Translucent white polyethylene globe has a capacity of 450g (16 oz.).

Shipping Weight: .45 kg (1 lb.)

Installation: Secure unit to wall through holes in the back of unit with the three mounting screws provided.



Liquid Soap Dispenser

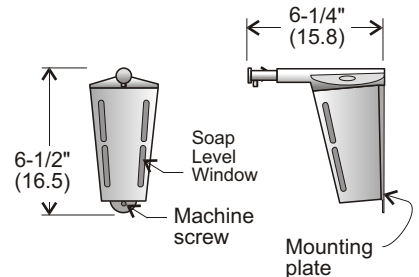
Code 705-100: Liquid Soap Dispenser

Features: All chrome plated body and mounting bracket. Chained keyed filter cap. Soap level indicator slots. All mounting screws concealed.

Soap Types: 705-100 is for use with coconut oil base soap at 10-20% solution.

Capacity: 12 oz. (340 g)

Installation: Secure mounting plate to wall through holes with four mounting screws provided. Slip dispenser over mounting plate and secure with single machine screw at bottom.



Lotion Soap Dispenser

Code 707: Lotion soap dispenser

Code 707-2L: Large capacity Lotion soap dispenser

Site Location: All purpose push type dispenser is suitable for any location, with popular adhesive pad mounting for mirrored surfaces.

Features: Quality ABS finish. Removable inner soap reservoir for easy cleaning and maintenance. Lockable front cover. Attractive blue and white colour scheme. Completely concealed wall mounting (no visible mounting screws).

Soap Types: All purpose dispensing valve is suitable for easy flowing liquid or lotion soaps.

Capacity:

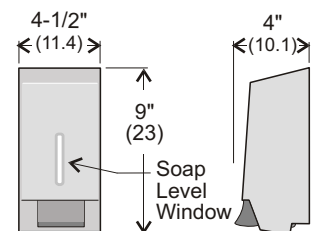
Code 707: 35 oz. capacity, (1 litre).

Code 707-2L: 70 oz. capacity, (2 litre).

Installation: Secure unit to wall, screws, plugs and template provided. Alternately use adhesive pads on smooth dry surfaces.



Code 707-2L



Code 707

Tank Type Soap Dispenser

Code 708A: All purpose valve, vertical mounting
Code 710A: All purpose valve, horizontal mounting

Specifications:

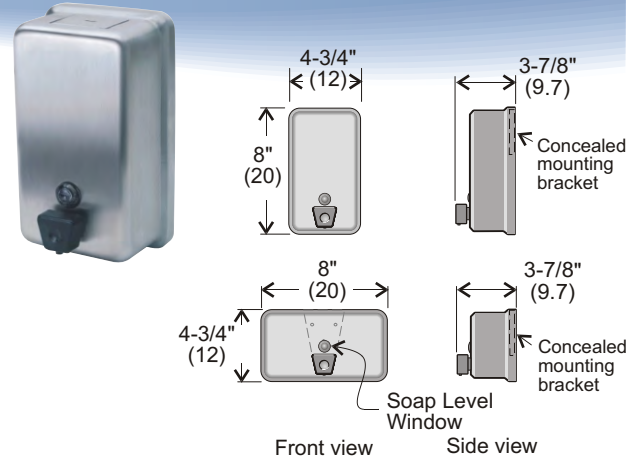
The surface mounted unit is intended for any type of wall material or construction.

Features: Drawn and welded construction of 20 ga. stainless steel. Easy refill at top. Keyed lock filler cap. Lucite soap level indicator window. All mounting screws concealed.

Soap Types: The code 708A & 710A dispense liquid soap at 10-20% solution as well as more viscous synthetic detergents, lotions and antiseptic soaps. We do not recommend any soap types that have an ammonium based surfactant, ie. Ammonium Lauryl Sulfate.

Capacity: 40 oz. capacity, (1.1 litre).

Installation: Secure mounting plate to wall through holes with three mounting screws provided. Slip dispenser over mounting plate and secure with single screw through filler cap at top.



Profile Soap Dispenser

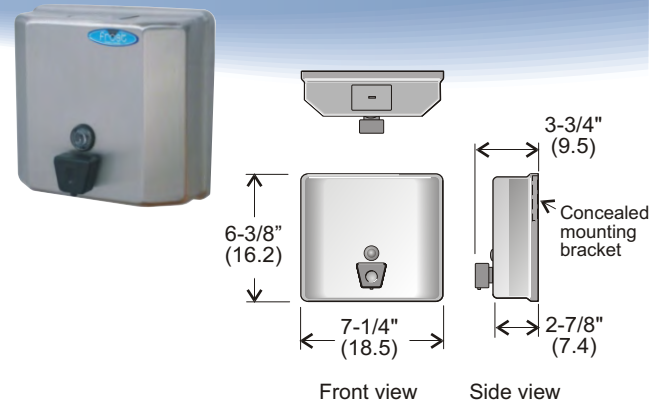
Code 711: All purpose valve, vertical mounting

Features: Drawn and welded construction of 20 ga. stainless steel. Easy refill at top. Keyed lock filler cap. Lucite soap level indicator window. All mounting screws concealed.

Soap Types: Dispenses liquid soap at 10-20% solution as well as more viscous synthetic detergents, lotions and antiseptic soaps. We do not recommend any soap types that have an ammonium based surfactant, ie. Ammonium Lauryl Sulfate.

Capacity: 55 oz. capacity, (1.5 litre).

Installation: Secure mounting plate to wall through holes with three mounting screws provided. Slip dispenser over mounting plate and secure with single screw through filler cap at top.



Touch Free Soap Dispenser

Code 714P: Lotion soap dispenser, plastic
Code 714S: Lotion soap dispenser, stainless
Code 717: Bulk foam dispenser

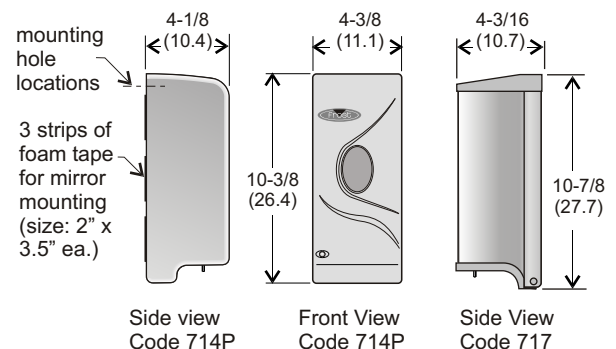
Site Location: Ideal for high traffic areas and multiple mirror mounting.

Dispensing: Soap is dispensed when hand is placed within 2-1/4" (6cm) under the unit. Soap container capacity: 1 litre. (33 ounces)

Power Source: Unit is powered by 3 "c" alkaline batteries (not included). Battery life is 10,000 cycles. or one year. Low battery indicator (flashes red). Soap viscosity range: 2,000 - 5,000 cps, (covers most liquid soap products).

Shipping Weight: 2 lbs., (bulk packed 12 units per case)

Installation: For unrestricted access, bottom of unit to floor should not exceed 44" (111.7). Insure unit is mounted 20 cm Above any horizontal surface (30 cm for stainless steel).



Soap Dispensers, Built In



Vanity Mounted Soap Dispensers

Code 712: All purpose soap valve

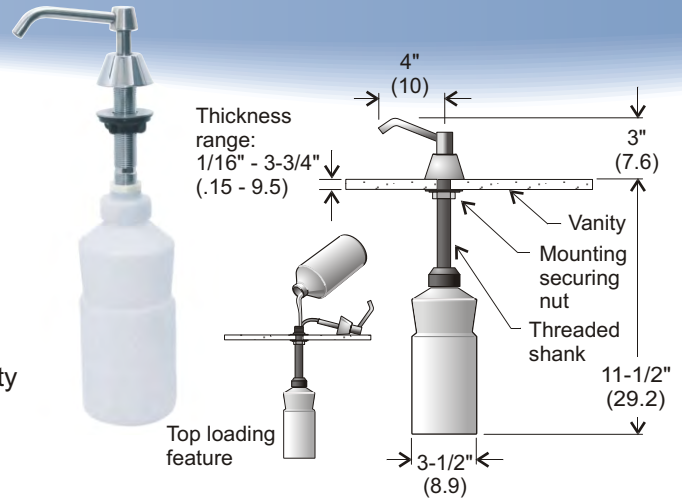
Specifications: Ideal for all types of vanity and counter tops.

Features: Less than 5 lbs. of force required to activate pump. Chrome plated brass housing. Concealed mounting assembly. Top loading.

Soap Types: 712A dispenses liquid soap at 10-20% solution as well as more viscous synthetic detergents, lotions and antiseptic soaps.

Capacity: 32 oz. capacity, (1 litre).

Installation: Insert threaded shank through 7/8" dia. hole in vanity with only housing and valve assembly exposed above counter. Secure with brackets provide below. Attach globe.



Touch Free Counter Top Soap Dispenser

Code 715: Counter Top Mounted, Auto Soap Dispenser, chrome finish.

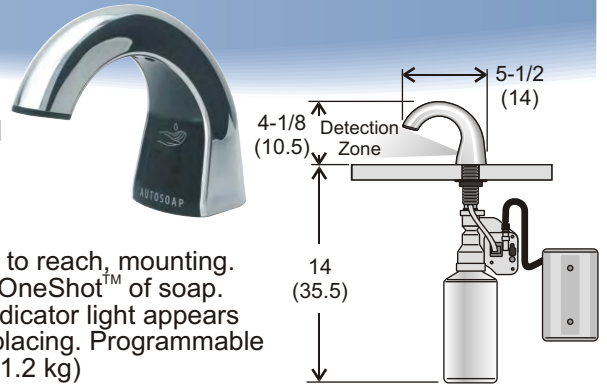
Code 715SK: Auto Soap Starter Kit. Includes dispenser, 800ml soap container, 4 "D" cell alkaline batteries.

Code 715-500 Soap refills, (4 x 800 ml)

Site Location: ADA compliant no touch dispenser allows for vanity, easy to reach, mounting.

Features: SmartSensor™ detects user's hand to automatically dispense OneShot™ of soap. Controlled dosage provides 1000 hand washes per 800ml bottle. Refill indicator light appears when soap is low. Battery indicator light appears when batteries need replacing. Programmable for 800ml and 1600ml soap refilling settings. **Shipping Weight:** 2.5 lbs, (1.2 kg)

Installation: Comes with detailed installation instructions.



Foam Soap Dispenser, Touch Free, Bulk Fill

Code 718: Bulk Fill Auto Soap Dispenser, counter top mount, touch free.

Site Location: ADA compliant no touch dispenser allows for vanity, easy reach, mounting.

Features: Foam soaps reduce consumption and improve washing effectiveness. Main housing is cast brass with polished chrome finish. Bulk loading refill capacity: 1.5 liters (non cartridge refill). Takes all foam suitable soaps. Activated sensor range: 3-4". Power Supply: ac adaptor with 60" (1.5 meter) cord.

Installation: Comes with detailed installation instructions.



Recessed Soap Dispensers

Code 719: All purpose soap valve

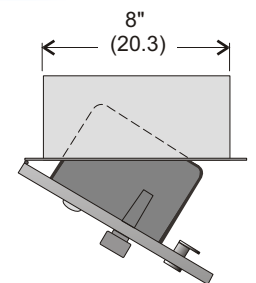
Specifications:

Door manufactured from 22 ga. stainless steel # 4 finish. Full length SS piano hinge and keyed tumbler lock on door. Recessed corrosion resistant galvanized steel body. Soap tank formed from a tough leak proof thermo-formed plastic. Leak proof soap level indicator window.

Soap Types: 719 dispenses liquid soap at 10-20% solution as well as more viscous synthetic detergents, lotions and antiseptic soaps.

Capacity: 35 oz. capacity, (1.1 litre).

Installation: Rough opening: 8-1/2 (21.6) wide x 4-1/2 (11.4) high x 4" (10.2) deep. Drill mounting holes as required.



Stainless Steel Medicine Cabinets

Code 800S: **Stainless Steel medicine cabinet with mirror, 16" x 30".**
Can be surface or recessed mounted.

Specifications:

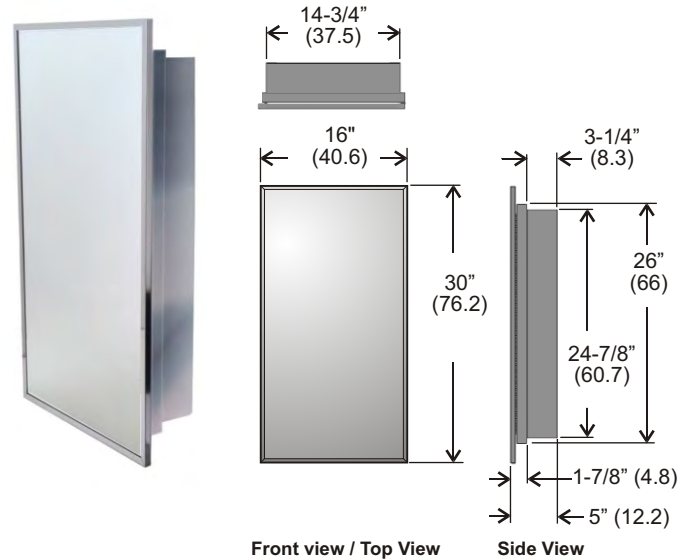
The code 800S medicine cabinet is a durable economical all stainless steel unit suitable for any location.

Materials:

All stainless steel construction 22 ga. Type 304 no. 4 brushed finish. 2 adjustable stainless steel shelves. Cabinet can be inverted depending on preferred door swing. Magnetic retaining catch on door. One piece 24 ga. stainless steel channel frame in bright annealed finish. 4 mm mirror with stainless steel back. Full length stainless steel piano hinge on door.

Installation:

Provide rough opening: 15-1/8" (38.5) wide x 25-3/8" (64.5) high x 4" (10) deep.



Recessed Medicine Cabinet

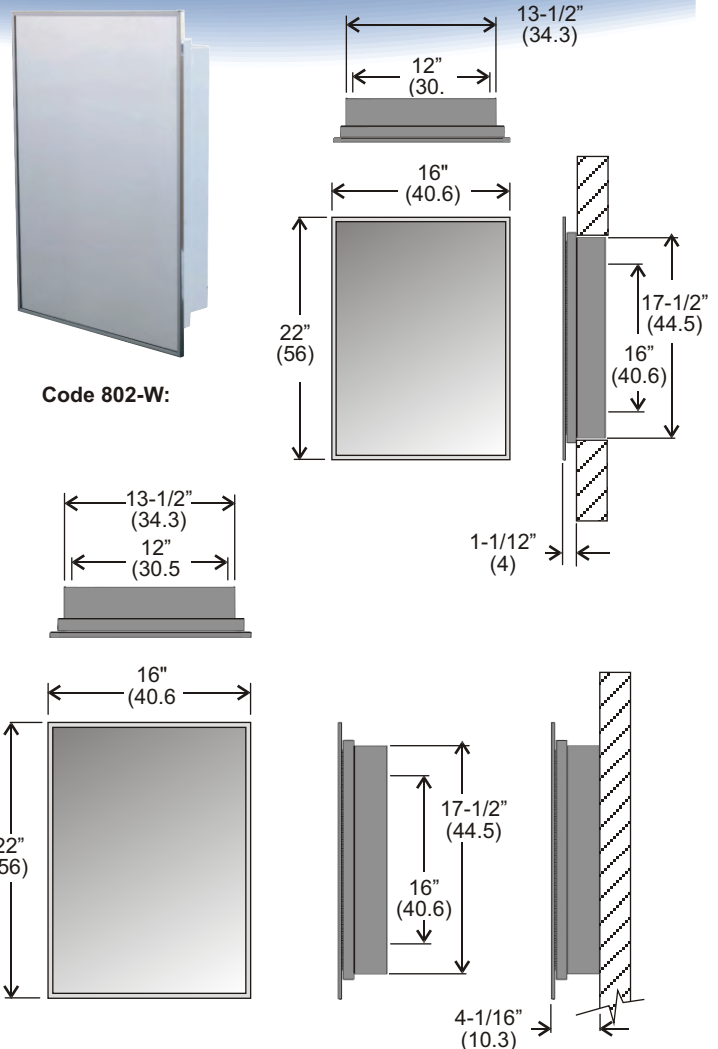
Code 802-W: **Recessed, white epoxy finish**
Code 812-W: **Surface mount, white epoxy finish**

Specifications:

White powder coated finish. Piano hinge is 18" continuous. Two adjustable shelves. Cabinet can be inverted depending on preferred door swing. Magnetic retaining catch on door. 5 mm mirror. Made from 24 ga cold rolled steel.

Installation 802W:

Provide framed rough wall opening 13-3/4" (35) wide x 17-7/8" (45.4) high x 3" (7.6) deep.



Free Standing Waste Receptacle with Ash Urn

Code 311SA: Stainless waste receptacle with ash urn

Specifications:

Heavy duty all stainless unit is ideal for designated smoking areas.

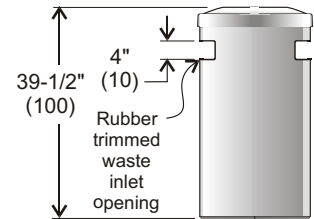
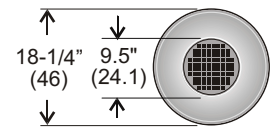
Materials: 18 gauge stainless steel type 304 domed top. All stainless ash urn with baffle opening. Body is one piece rolled formed all welded stainless steel construction (22 gauge type 430 no. 4 finish). Bag holder apparatus. Non removable top.

Capacity: 27.5 gal. (125 litres).

Shipping weight: 44 lbs. (20 kg)



Grated area to extinguish and dispose of cigarettes



Outdoor Ash Bin / Waste Receptacle

Code 312S-A: All Stainless unit

Specifications:

Large capacity wall mounted outdoor waste container with heavy duty 18 gauge non removable stainless steel domed top. Four inch waste inlet opening. Bag bracket holder apparatus for easy and secure support of plastic bags. All stainless steel construction.

Waste Capacity:

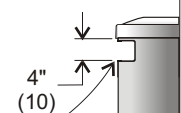
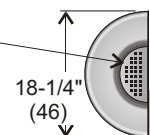
13 gallons (60 litres), ash urn: .9 gal. (4 litres)

Shipping Weight:

25 lbs. (11.5 kg)



Grated area to extinguish and dispose of cigarettes



Rubber trimmed waste inlet opening

Outdoor Ash Bin

- Code 908:** Heavy duty ash bin, compact design
- Code 909:** Heavy duty ash bin, 18 ga. stainless type 304 no. 4 finish
- Code 909-100:** Heavy duty pedestal, exterior polyester finish
- Code 909-500:** Replacement removable inner liner

Specifications:

Heavy duty all stainless unit is ideal for pedestrian common areas.

Materials:

18 gauge stainless steel (304, # 4 brushed finish). Door secured with tumbler keyed lock. Door is hinged with full length stainless steel piano hinge. Corrosion resistant galvanized steel (22 ga.) inner liner with baffle opening. Offset mounting bracket keeps unit 5/8" away from wall for extra fire insulation.

Liner Capacity: .75 gal. (3.3 litres)

Installation:

For unrestricted access, height of top of unit to floor must not exceed 48" (121 cm) from floor.

Code 909-100:

The 909-100 pedestal can be used with the Code 909 to allow for floor mounting.

Materials:

Vertical support: 2" x 2" crs tubing (14 ga.). Ash bin mounting plate: 1/8" crs plate. Floor mounting plate: 1/4" crs plate. All welded construction.

Shipping weight: 18 lbs.

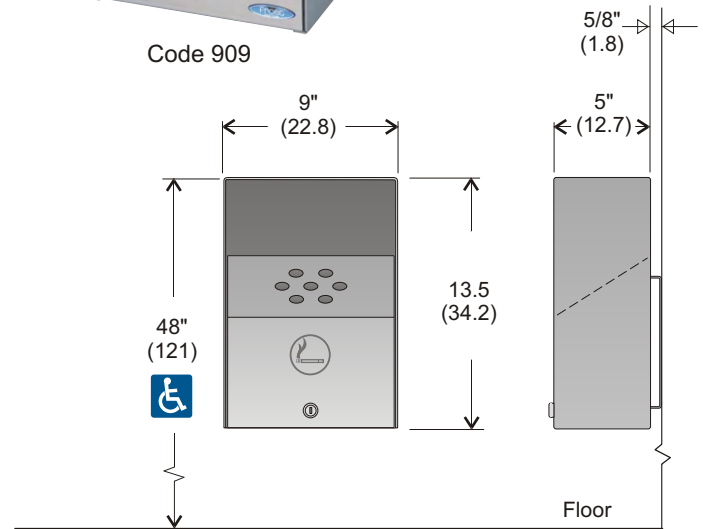
Installation:

Use floor plate as a template to locate mounting holes. Drill holes and set anchors as required for type of floor material (anchors not included).

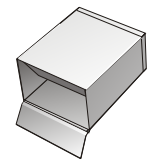
HEAVY DUTY



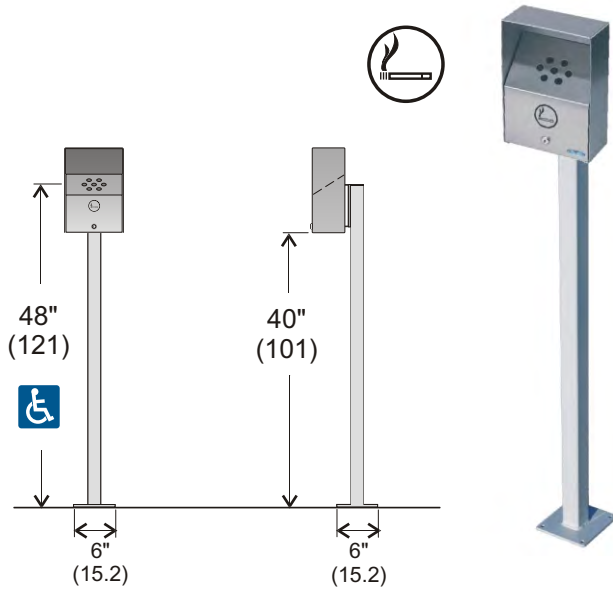
Code 909



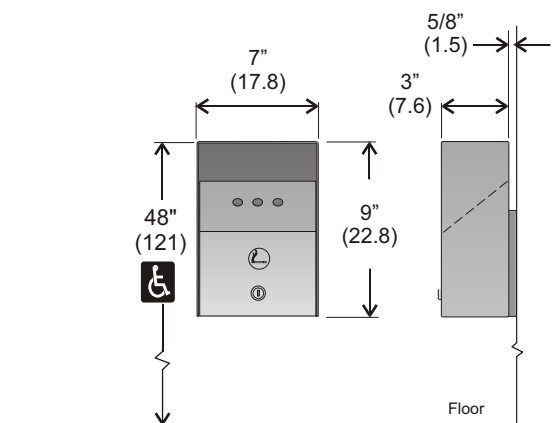
Code 908



Removable liner has hinged baffle opening



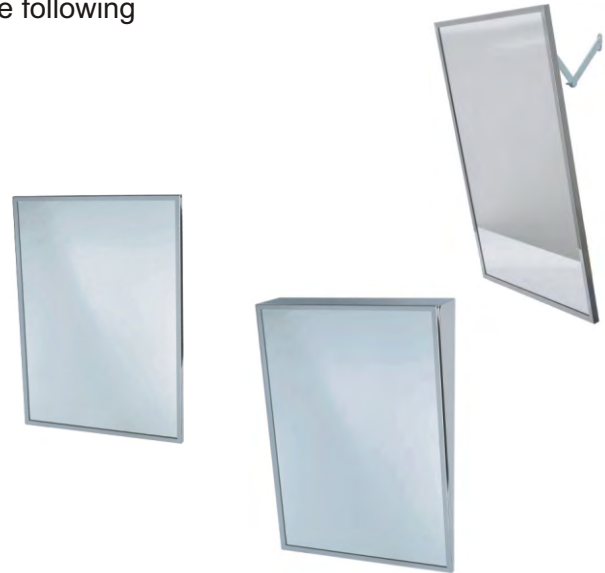
Code 909-100



Stock Series Mirrors

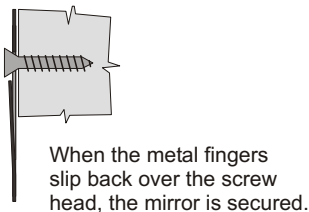
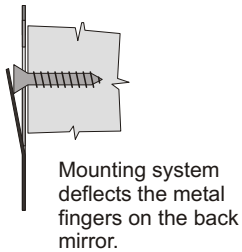
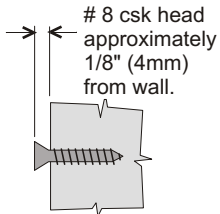
Frost Mirrors: Frost Products is a leading manufacturer of mirrors for regular and barrier free installations. We offer a wide range of mirror designs and sizes to suit any requirement for both commercial and institutional installations. The following outlines the various products available.

- Code 941:** Standard vandal resistant mirror
- Code 941AT:** Barrier free adjustable tilt mirror
- Code 941FT:** Barrier free fixed tilt mirror
- Code 941TG:** Tempered glass mirror
- Code 941LM:** Laminated glass mirror
- Code 941SS:** Stainless steel face mirror
- Code 942:** Frameless mirror
- Code 942SS:** Frameless stainless face mirror
- Code 945:** Solid Frame mirror
- Code 945FT:** Solid Frame, Barrier free fixed tilt mirror

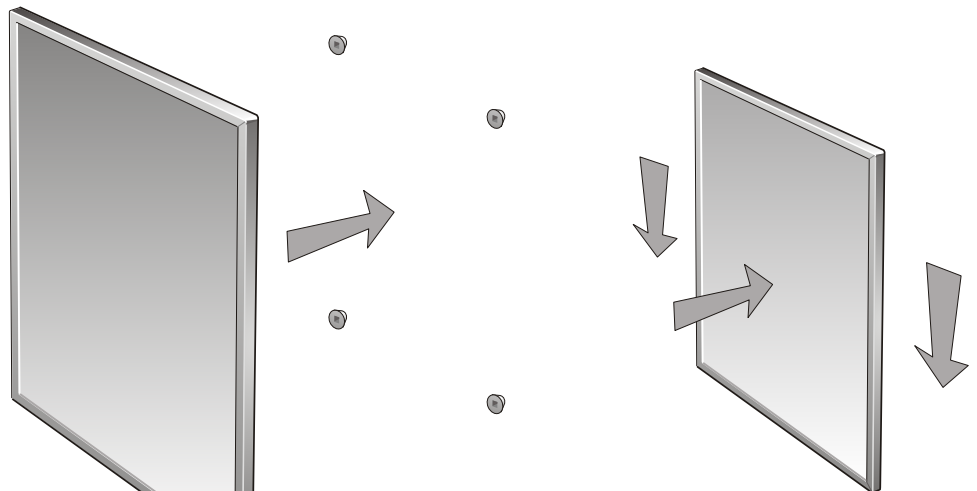


Tamper Resistant Mounting System

Codes 941 and 941FT



1 Screw in four mounting screw as shown below and in fig. 1 (full instruction sheet with hole centre locations included with mirrors)



2 Press mirror firmly against the wall and pull down

Stock Series Handicap Mirrors

Code 941AT: Adjustable tilt, (handicap)

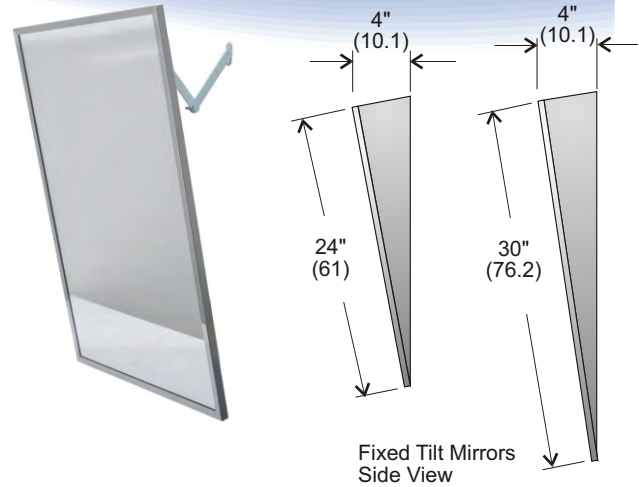
Code 941FT: Fixed tilt, (handicap)

Specifications:

One piece frame of type 430 bright annealed polished stainless steel with mitred corners. Fixed tilt portion of mirror is 20 ga. bright annealed stainless steel. Mirror is 4mm float glass conforming to GS12GD5A type IB guaranteed against silver spoilage for 10 years. Mirror back plate consists of shock resistant primary back combined with galvanized secondary back. Vandal resistant mounting.

Standard size: 18" (46 cm) x 24" (61cm) and 16" (40.6 cm) x 30" (76.2 cm).

Installation: Position bottom of tilt mirrors 48" (121) from floor. Positions may vary depending on the type of installation.



Stock Series Mirrors

Code 941-1624: Vandal resistant mirror, 16" x 24"

Code 941-1630: Vandal resistant mirror, 16" x 30"

Code 941-1824: Vandal resistant mirror, 18" x 24"

Code 941-1830: Vandal resistant mirror, 18" x 30"

Code 941-2424: Vandal resistant mirror, 24" x 24"

Code 941-2430: Vandal resistant mirror, 24" x 30"

Code 941-2436: Vandal resistant mirror, 24" x 36"

Specifications:

One piece stainless steel channel frame with mitred corners provides rigid assembly. Comes in bright annealed finish. Vandal resistant concealed three way mounting. Comes in flush wall mount and fixed tilt. 4mm glass with shock resistant primary back. Full galvanized back panel.

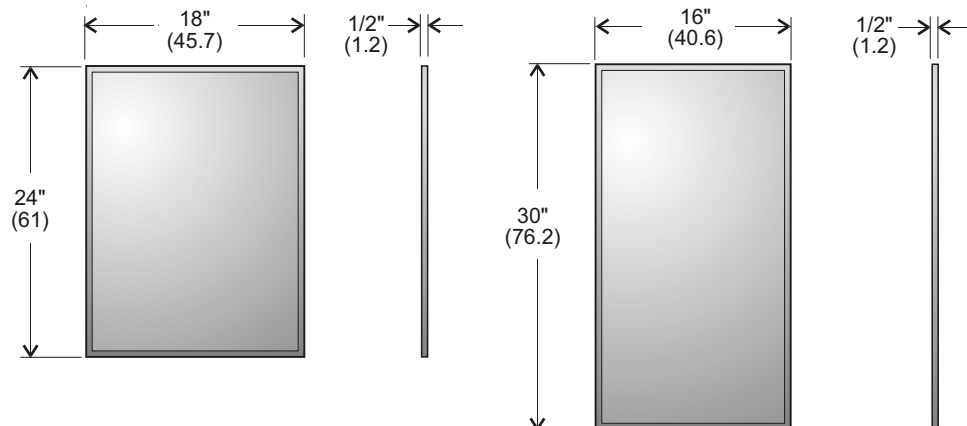
Shipping Weight:

10 kg. (23 lbs.), shipped two per carton

Installation:

Position bottom of non tilt mirrors 39" (100) from floor.

Positions may vary depending on the type of installation.

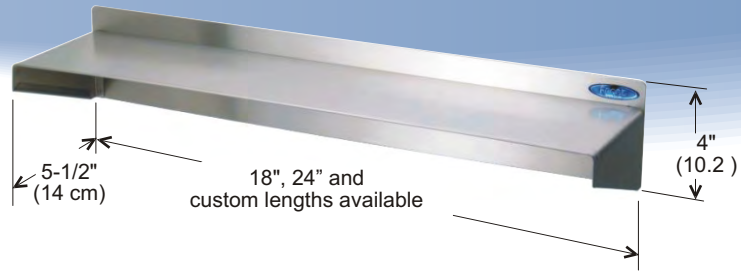


Heavy Duty Shelf

Code 950-18": **Stainless steel 18"**

Specifications:

New rounded corner shelf with safety edges on all protruding sides is 22 gauge stainless steel no. 4 brushed finish welded to stainless steel wall plate. Custom lengths available up to 183cm (54") long.

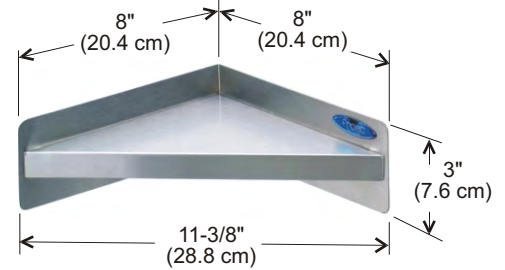


Corner Shelf

Code 950-8x8": **Stainless steel corner shelf**

Specifications:

Corner shelf is ideal for applications such as shower or regular bathroom stalls. All welded construction of 22 gauge no. 4 brushed finish stainless steel.



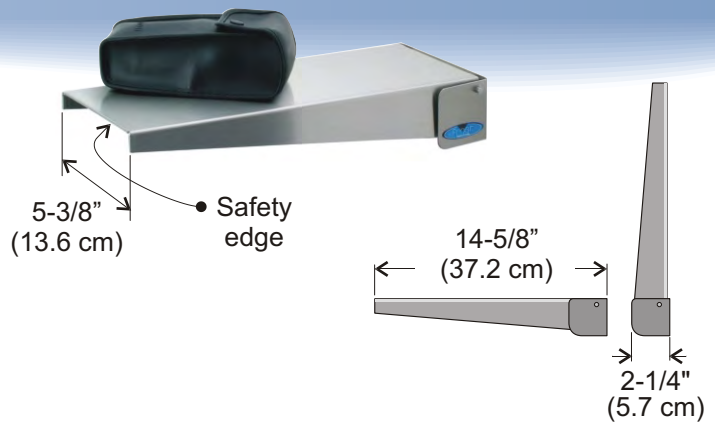
Flip Up Shelf

Code 955: **Stainless steel type 304 no. 4 finish**

Specifications:

All stainless steel construction 18 ga. type 304 no. 4 finish. Shelf is spring loaded which will return to upright position when load is removed. Mounting bracket fabricated of 18 ga. ss type 304 no. 4 finish.

Shipping weight: 3 lbs. (2 kg) per unit
Secure to wall using mounting holes and screws provided. For barrier free mounting insure that top of unit does not exceed 48" (120 cm) above floor level.



Standard Washroom Signage

- Code 960:** Male symbol
- Code 961:** Female symbol
- Code 962:** Wheelchair, Male
- Code 963:** Wheelchair, Female
- Code 964:** Handicap symbol only

Specifications:

Durable engraved plastic signage. Engraved portions are white with blue relief. All codes come with Braille embossing. All signage is self adhesive.



Code 960
4" X 6"



Code 961
4" X 6"



Code 962
6" X 6"



Code 963
6" X 6"



Code 964
6" X 6"



Code 965
6" X 6"



Code 966
6" X 6"

Retractable Shower Seats



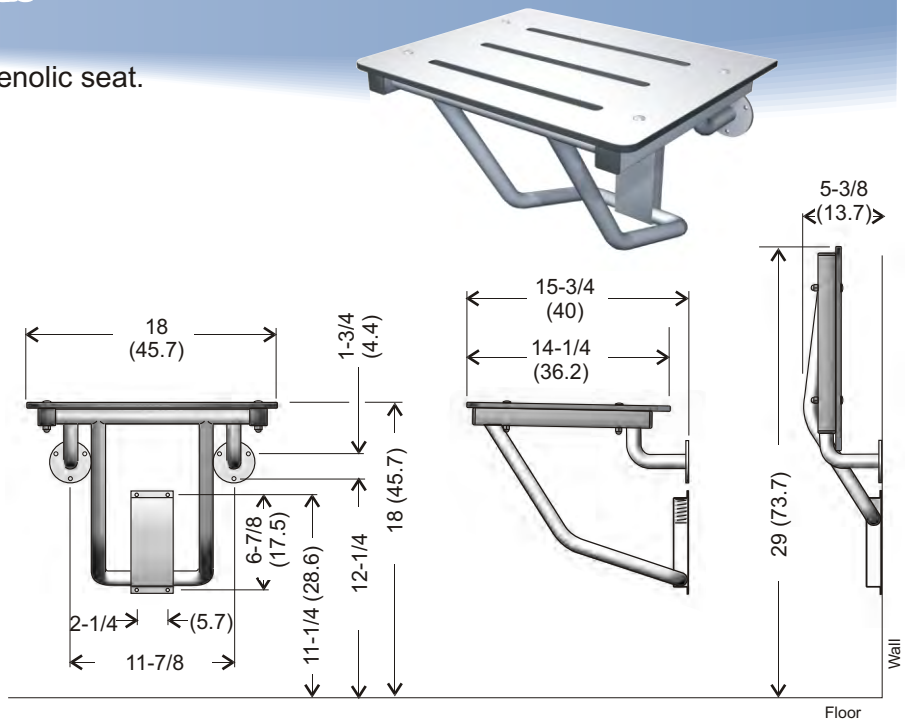
Full Wall Mounted Shower Seat

Code 972: Stainless steel, white phenolic seat.

Specifications:

Compact flip up shower seat retracts out of way when not in use. One piece phenolic top, 5/16" (8mm) thick. Unit frame is fabricated from 1" O.D. 18 gauge brushed finish type 304 stainless steel. Welded construction, features full 360 degree welds on all joints. Support and flanges are also stainless steel with brushed finish.

Installation: Mounting hole locations are for reference when providing in wall support. Mounting screws provided.



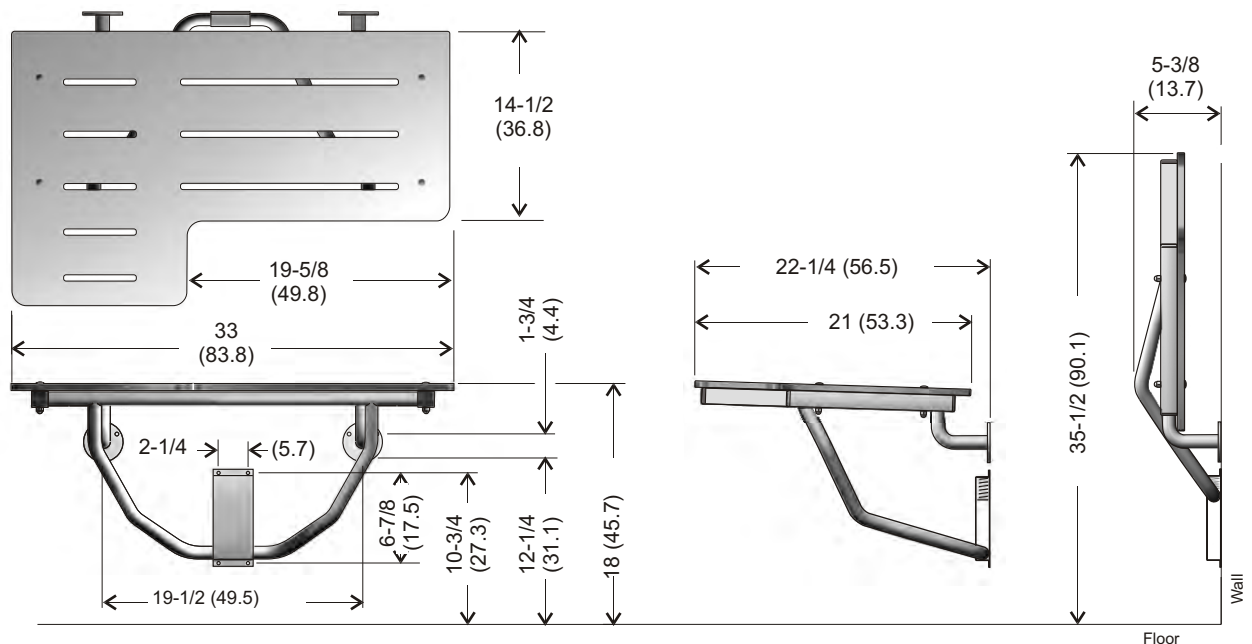
Full Wall Mounted Shower Seat

Code 975: Stainless steel, white phenolic seat, barrier free design.

Specifications:

Compact flip up shower seat retracts out of way when not in use. One piece phenolic top, 5/16" (8mm) thick. Unit frame is fabricated from 1" O.D. 18 gauge brushed finish type 304 stainless steel. Welded construction, features full 360 degree welds on all joints. Support and flanges are also stainless steel with brushed finish. Mounting hole locations are for reference when providing in wall support. Mounting screws provided.

- When ordering specify right or left handed (right shown).

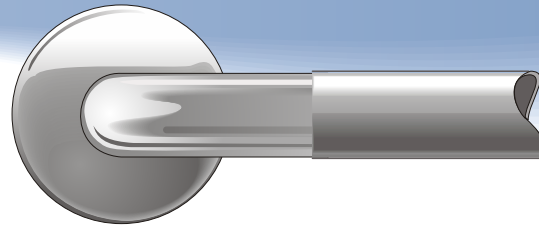


Grab Bars Stainless Steel

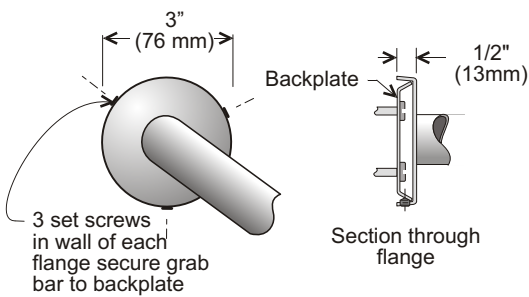
Specifications: Stainless Steel

Grab bars are available in 25mm (1") and 32mm (1-1/4") sizes, both sizes feature 1-1/2" wall clearance. Stainless steel tube is type 304 with .049" thick wall. Polished to a satin finish. Flanges are stamped in 12 gauge stainless steel and heliarc welded to bar for maximum strength.

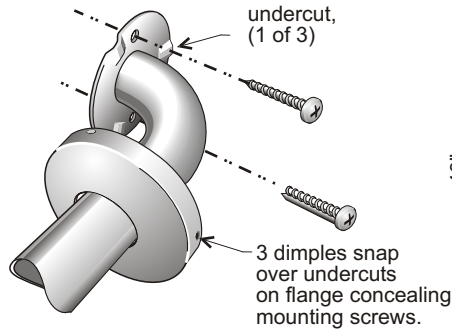
All stainless steel grab bars feature concealed fastener mounting. The illustrations below detail the set screw concealed mounting and snap flange concealed mounting designs.



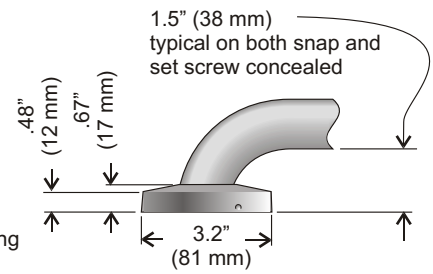
Detail showing peened grab area



Concealed set screw mounting, suffix "DP" on codes



Snap flange mounting, suffix "SP" on codes



Snap flange dimensions

Stock Series Grab Bars Ready to Ship

- Code 1001 18": 1-1/4" dia. stainless steel, peened finish
- Code 1001 24": 1-1/4" dia. stainless steel, peened finish
- Code 1001 30": 1-1/4" dia. stainless steel, peened finish
- Code 1001 36": 1-1/4" dia. stainless steel, peened finish
- Code 1001 48": 1-1/4" dia. stainless steel, peened finish
- Code 1003 30"x30": 1-1/4" dia. stainless steel, peened finish



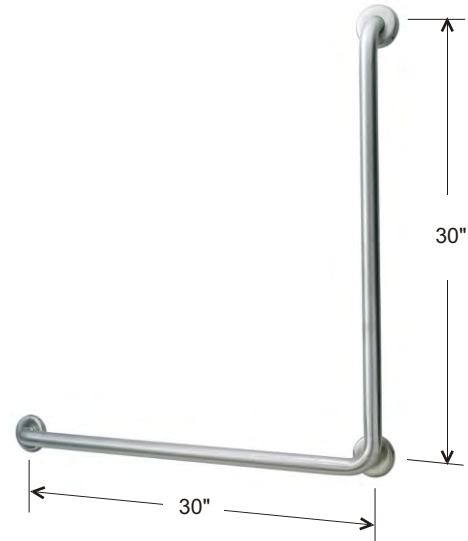
All stock series grab bars are now available in white epoxy finish.

Specifications:

The Frost stock series grab bars are of an all stainless steel construction. The brushed and peened finish make this an attractive cost effective product to specify for any installation. Stamped flange is 12 gauge stainless with a full 360 degree bead weld to the 18 gauge stainless tubing. Features concealed mounting detailing as shown in illustration above.

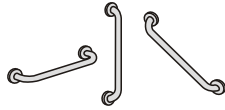
Barrier Free Access:

The Frost stock series bars comply with handicap codes requiring 1-1/4" to 1-1/2" bar diameter and wall clearance of 1-1/2". Barrier free access specifications may vary depending on jurisdiction.



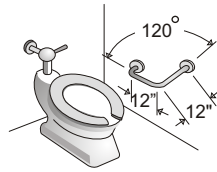
Grab Bars, Codes 1001 - 1020D

Code 1001D for:
Horizontal, Vertical & 45 degree
angle mounting. All grab bar styles
have 1-1/2" wall clearance

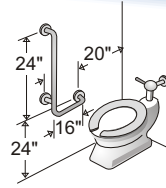


Description:
1-1/4" Diameter
Stainless Steel

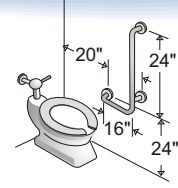
Code 1001D
12", 16", 18", 24", 30"
32", 36", 42", 48"



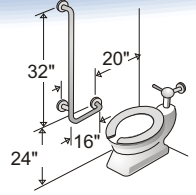
Code 1002D
12" x 12"
24" x 24"



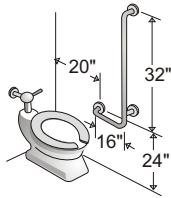
Code R1003D
16" x 24"



Code L1003D
16" x 24"

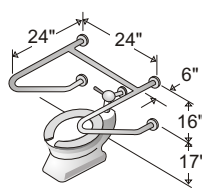


Code R1003D
16" x 32"

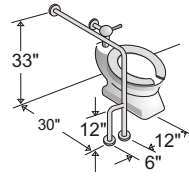


Description:
1-1/4" Diameter
Stainless Steel

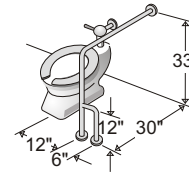
Code L1003D
16" x 32"



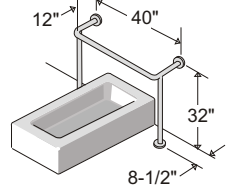
Code 1005D



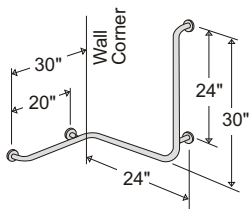
Code R1006S



Code L1006S

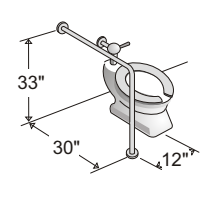


Code 1009D

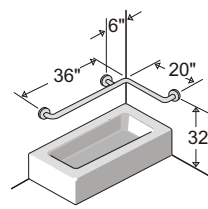


Description:
1-1/4" Diameter
Stainless Steel

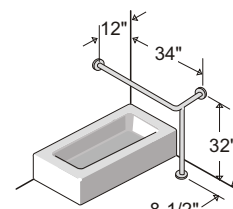
Code R1014D



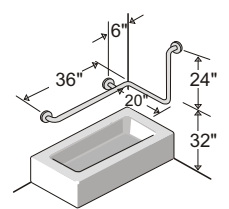
Code 1015S



Code 1016D



Code R1018D



Code R1020D

Flip Up Safety Rail

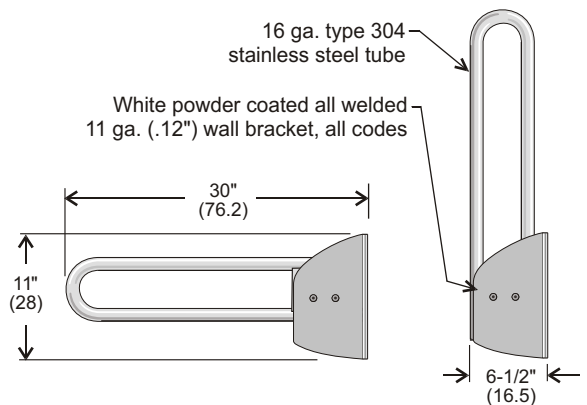
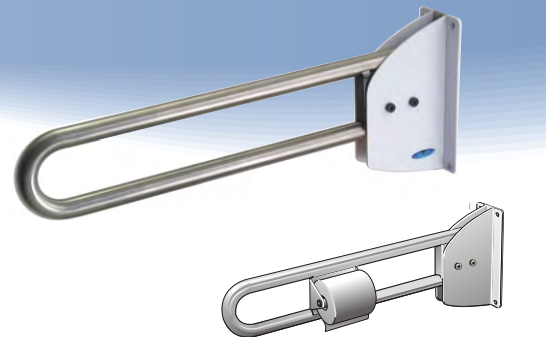
- Code 1055-W:** Safety rail, white finish
- Code 1055-S:** Safety rail, stainless steel, type 304 no. 4 finish
- Code 1055-FTS:** Safety rail, stainless steel, with toilet tissue dispenser in white finish
- Code 1055-FTW:** Safety rail, white finish, with toilet tissue dispenser in white finish
- Code 1055-500:** Code 1055 Carrier Stand, white finish

Site location:

These units are highly recommended by barrier-free design experts because they provide the optimum approach path for wheelchair use. Consult applicable codes for specific requirements.

Materials: Tubing is either 16 gauge type 304 1-1/4" O.D. (outside diameter) stainless steel with exposed surfaces in polished satin finish or 16 gauge steel with white finish. Swing up bar is only as strong as the wall and anchors to which it is attached. Grab bar must be securely fastened to wall to withstand the load it is intended to support. Mandrel bending process on all curves maintains uniform bends.

Operation: Grab bar is manually lowered to horizontal support position and raised for departure. A locking system enables the flip up grab bar to be locked in either a horizontal or retracted position. Large inner web eliminates potential pinch point during operation.



Aerosol Dispenser

- Code 1107:** Programmable Aerosol Dispenser.
Code 1107-500VAN: Aerosol spray canister, Vanilla scent,
Code 1107-500CIT: Aerosol spray canister, Citrus scent,
Code 1107-500ORCH: Aerosol spray canister, Orchard scent,
Code 1107-500MM: Aerosol spray canister, Mango scent,



Site Location: Clean low maintenance design will suit most office and retail installations.
Features: Built in LCD clock displays time for easy programming of starting and stopping spray intervals. Set spray start and spray stop to suit your office hours. Spray intervals can range from 1 minute to 60 minutes.

Canister capacity: 300 CC. Typical service life of the canister: 3,000 sprays. (field example: 90 working days when used at 15 min. intervals 9:00 a.m. to 5:00 p.m.). After 3,000 sprays, the dispenser stops automatically (can be reset). Ultra quiet spraying.
Battery Details: Service life: 10,000 sprays or 1 year, (2 "D" sized heavy duty alkaline batteries.)

Code 1107-500: Dry formula aerosol eliminates messy fall-out. V.O.C. Compliant. Eliminates smoke and other malorders (Net wt.: 6.6 oz, 187 g).

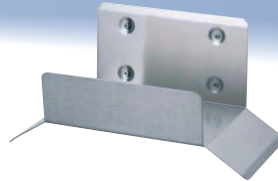
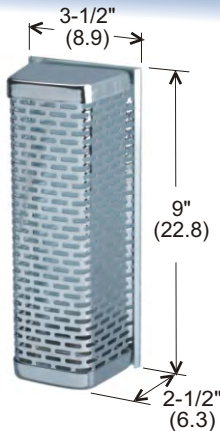
Janitorial Accessories

Deodorizer Code: 1100

Specifications
 Chrome plated 20 gauge steel surface mounted fixture holds all standard size deodorant blocks.

Code: 1100-500

Deodorant blocks.



Vacuum hose rack Code 1110

Specifications:
 One piece 20 gauge type 304 stainless steel hose rack. Designed to hold all standard vacuum hoses.

Corner Guard Code 1117

Specifications: 18 ga. stainless steel, no. 4 brushed finish.
Dimensions: 4" x 4" x 40" (10 x 10 x 101.6 cm)
Installation: Full length self adhesive backing (1/2" x 40") allows for quick installation.



Pail Hook Code 1111

Specifications:
 All welded construction Of 18 gauge type 304 stainless steel no. 4 finish. Protrudes 6" from wall. Used with empty pails only.



Kick Plate Code 1118

Specifications: Stainless steel (20 ga.) type 304 # 4 finish. Radius corners. Comes with 8 ss mounting screws to insure even mounting to door.



Broom / Mop rack

Code 1113: 3 holders 26" long
Code 1114: 4 holders 36" long

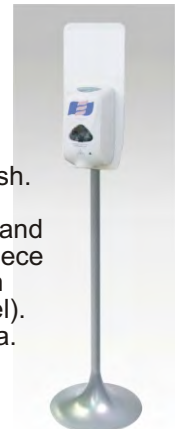
Specifications:
 All welded construction of type 304 stainless steel with no. 4 brushed finish. Custom sizes available on request.



Sanitizer Stand Code 1600

Sanitizing dispenser stand, silver epoxy finish.

Specifications: Base and upright tube are one piece all welded construction (18 ga. cold rolled steel). Mounting plate is 12 ga. crs in a white epoxy coated finish.

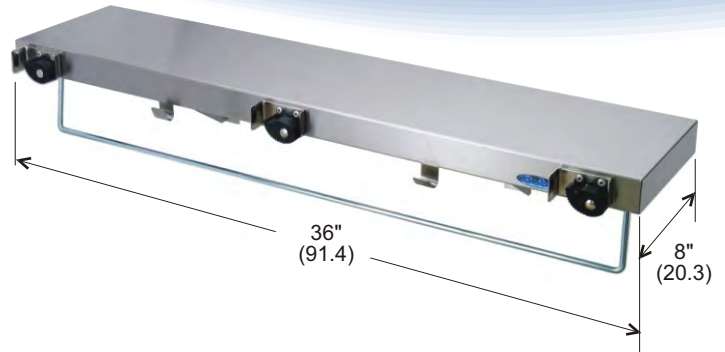


Janitorial Shelf

Code 1115: Janitorial Shelf, stainless steel

Specifications:

All welded construction of 20 gauge type 304 stainless steel no. 4 brushed finish. Shelf features 3 mop or broom holders, 2 pail hooks and a 5/16" diameter chrome plated rod for drying cloths.



Infant Change Table

Code 1125: Standard flip down change table (horizontal design)

Features:

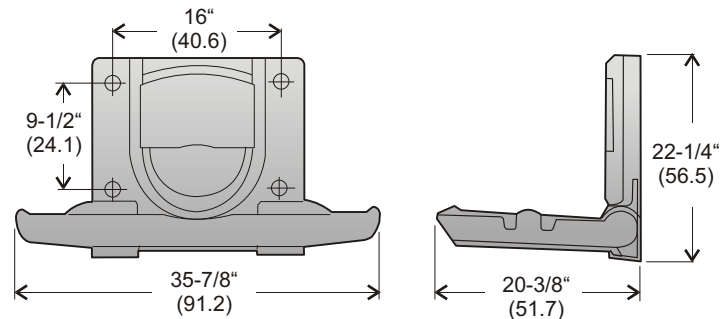
- Frost Baby Changing Station with its 4" (10cm) depth can be installed in any location.
- Static load capacity: 250 pounds (115 kg.).
- Four-inch depth complies with A.D.A. and ANSI.
- A117.1 Handicapped accessibility.
- Oversized hinge and safety stop system.
- Safe and convenient sturdy child protection strap.
- Multilingual instructions, integral diaper bag hooks, easy opening and closing.
- Deep concave changing surface.
- Tamper proof hardware.

Materials:

- Constructed of 100% High-density polyethylene.
- No metal components to wear.
- Fully sealed polyethylene components allows easy cleaning.
- Smooth exposed surfaces and concealed pneumatic gas spring mechanism.
- Built-in Liner dispenser accepts standard multifold towels or sanitary liners.

Overall Dimensions:

36" (91.4cm)W x 22"(56.5cm)H x 4"(10.1cm)D, 20-1/2"(52cm) Deep when open.



Towel ring

Code 1126SS
Material: Stainless Steel



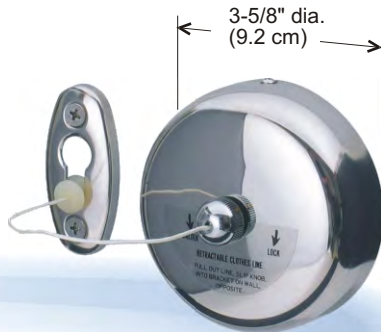
Towel Shelf, 24"

Code 1127S
Material: Stainless steel



Clothes line, locking & retractable

Code 1128
Material: Chrome, line extends 9'



Wall Mounted Bottle Opener

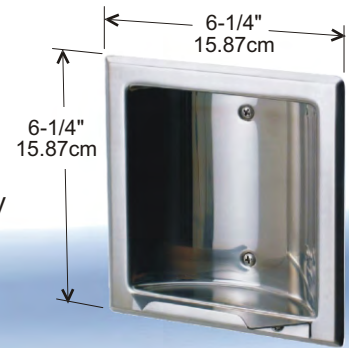
Code 1129SS
Material: Stainless Steel



Soap Holder

Code 1132S
Material: Stainless Steel
Wall box size:
5-1/4" x 5-1/4" x 1-1/2"

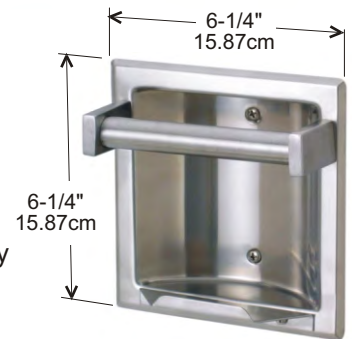
Also available in heavy duty design.



Soap Holder & Grip Bar

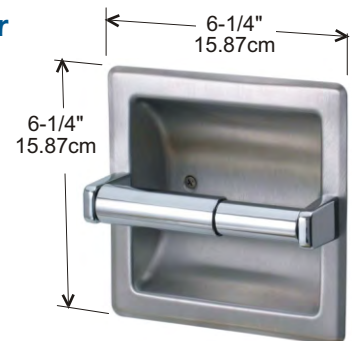
Code 1133S
Material: Stainless Steel
Wall box size:
5-1/4" x 5-1/4" x 1-1/2"

Also available in heavy duty design.



Recessed Toilet Paper Holder

Code 1134S
Material: Stainless Steel
Wall box size:
5-1/4" x 5-1/4" x 1-1/2"



Surface Toilet Paper Holder

Code 1135S
Material: Stainless Steel



Wall Mounted Washroom Accessories

Soap Dish

Code 1136S: Stainless Steel



Robe Hook

Code 1138S: Single/Stainless
Code 1139S: Double/Stainless



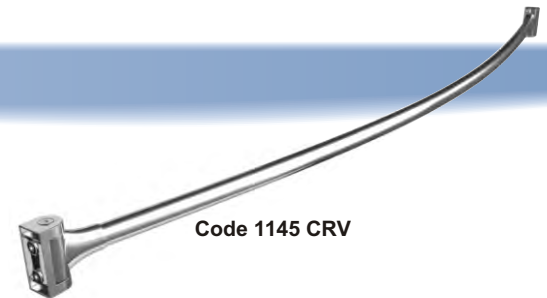
Towel Bars

Code 1140S: Stainless 18"
Code 1141S: Stainless 24"
Code 1142S: Stainless 30"
Code 1143S: Stainless 36"



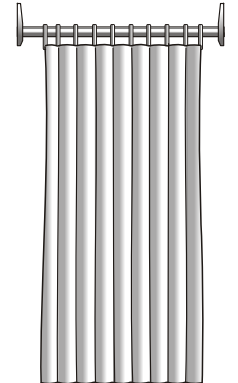
Shower Curtains and Accessories

- Code 1144:** Chrome Shower rod 5' x 1" dia.
- Code 1144-500:** Hold Back Hook and Chain
- Code 1144-501:** Curtain Hooks (pack of 12, chromed)
- Code 1144-501L:** Curtain Hooks (pack of 12, stainless steel)
- Code 1144-502:** Shower Curtain 48" x 78"
- Code 1144-503:** Tub Curtain 70" x 72"
- Code 1145-CRV:** Curved stainless Shower rod, brushed finish, for standard 60" tub.
- Code 1145-S:** Stainless Shower rod 5' x 1-1/4" dia.
- Code 1145-72SS:** Stainless Shower rod 72" x 1-1/4" dia.
- Code 1145-36SS:** Stainless Shower rod 36" x 1-1/4" dia.



Code 1145 CRV

← See code listing →



Specifications:

Shower curtains are made of 100% Polyvinyl Chloride (PVC), 8 gauge (.2mm) in thickness and have a suede embossed colour fast finish. The curtains are mildew proof and cold crack (-15 degrees C) treated. The shower ring grommets are reinforced with aluminum and concealed in an extra strength header. Shower curtain and plastic hooks come in standard white colour.

Coat Hooks

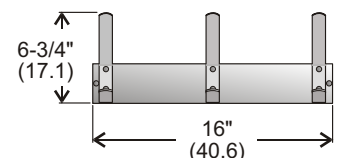
- Code 1146:** Stainless Steel, single hook
- Code 1146B:** Stainless Steel, single hook with bumper
- Code 1147:** Stainless Steel, three hook strip

Specifications:

Hooks are fabricated from 12 gauge (.1") thick solid stainless steel. Hook ends are 1" (2.54) radius with all edges deburred. Hook strip fabricated from 20 ga. stainless steel.



Code 1146



Coat Hooks

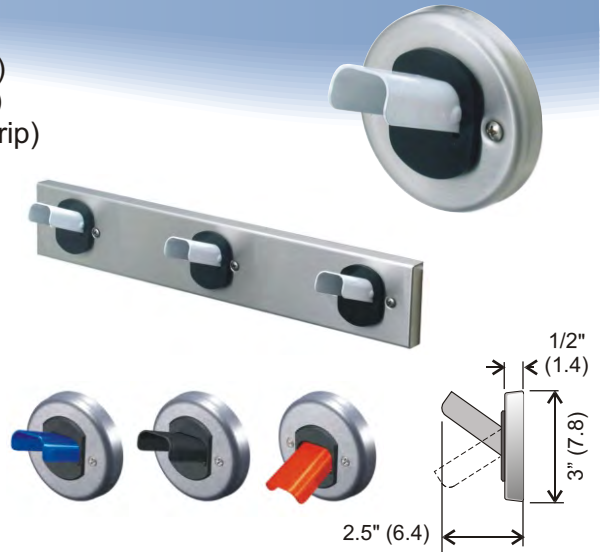


Safety Coat Hook

- Code 1150:** White hook with stainless steel base (single hook)
- Code 1150BK:** Black hook with stainless steel base (single hook)
- Code 1150-3:** White hook on stainless steel strip, (three hook strip)

Specifications: All stainless steel type 304 no. 4 finish. Hook is epoxy coated 18 ga. stainless steel, providing a smooth burr free edge. Spring loaded coat hook will only support weight of coat or jacket, heavier objects will slip off. Coat hook will not support loads in excess of 11 kilograms (25 lbs.), patent pending.

Installation: Secure to any panel with ss mounting screws provided. Screws are counter sunk ss with Phillips style finished head. Alternative colours available on special order (5-6 week lead times may apply). Note: Colour suffixes: B: blue, BK: black, R: red (example: Code 1150R denotes red hook on stainless base)



Dryers

Warm Air Hand/Hair Dryers

- Code 1187:** Automatic "no touch", white finish, 120 volts.
- Code 1187-1:** Automatic "no touch", white finish, 220 volts.
- Code 1190:** Automatic "no touch", brushed steel finish, 120 volts.
- Code 1190-1:** Automatic "no touch", brushed steel finish, 220 volts.
- Code 1192:** Automatic "no touch", High Speed, white finish, 120 v.
- Code 1193:** Automatic "no touch", High Speed, stainless steel, 120 v.
- Code 1195:** Ecofast, hands free dryer, white finish, 120 volts.
- Code 1196:** Ecofast, hands free dryer, stainless steel finish, 120v.

Specifications: Approximately 20 second drying time.
Features: Sensitive distance of sensor: 4-12" (10-30 cm). Touch free sensor is activated when hands are placed within the set range under spout. There is a .6 sec delay for on and a 2 second delay for off. The power will be cut off automatically in cases of irregular use over 120 seconds, sensor will reset during normal use. Sensor is 100% moisture proof. Warranty: 5 years.

Wind measure: 161 cfm, (274 m³/h), **Wind velocity:** (16.5m/sec).

Installation: Insure when mounted that dryer is 12" (30cm) above any fixed or movable objects. For unrestricted access insure bottom of dryer does not exceed 48" (220 cm) from floor. Four threaded mounting anchors and hole location template provided.

Auto Air



**Durable,
Economical
and
Hands Free**



Code 1187



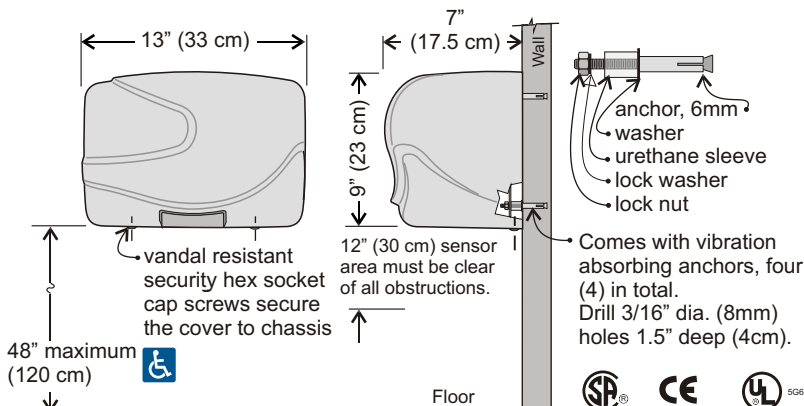
Code 1188



Code 1192



Code 1193



Code 1195



Code 1196



Materials and Finishes



Type 304 No. 4 finish

Type 304 stainless is a standard all purpose grade recommended for food, dairy, chemical and medical industries. It is also widely used in architectural applications due to its excellent corrosion resistance. The No. 4 finish, a Frost standard, is widely used in restaurant, architectural, medical and food processing products. All Frost stainless steel products are shipped with a removable protective plastic coating to insure a blemish free product when installed on site.



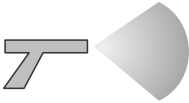
Bright Chrome Finish

In addition to stainless steel Frost offers many of its most popular products in a "bright" chrome finish. These products are fabricated from pre-chromed sheet steel using the same processes as with the stainless steel to provide an unblemished final product. Frost ships all pre-chromed products with a protective plastic film which is easily peeled off after installation.



Cold Rolled Steel

Frost uses a variety of material thicknesses ranging from 16 to 26 gauge. The variety of material gauges provide the optimum balance between durability and economy. All cold rolled stock is oiled and rust free during fabrication and degreased before final finishing.



Epoxy Polyester Hybrid Powder

After a thorough degreasing the assembled cold rolled products are coated with a formulated epoxy hybrid powder to a thickness of approximately 3 mls.. An even coating is achieved by electrostatically charging the powder particles and spraying them onto the grounded product. All coated products are then oven cured at 400 degrees F. The result is a superior baked on finish with excellent mechanical/chemical characteristics and U.V. durability. Detailed technical specifications available upon request.

Notes:

Frost Products Limited
5280 John Lucas Drive
Burlington, Ontario
Canada, L7L 5Z9

Tel. 905.332.5700
Fax. 905.332.7105
www.FrostProductsLtd.com
info@FrostProductsLtd.com
Quick link: www.FrostPL.com

Professional Affiliations:



Frost specialty line of products:



Frost Products has been serving the Architectural, Institutional, Janitorial and Service industries for over fifty years. Our quality and value offer a perfect fit for both large and small installations (shown above, our line of specialty products developed to address today's needs and enhance any installation).



Frost Representatives

Frost Products Ltd. has qualified representatives across Canada to help you with product selection, site planning and field service inspections for any installed Frost product. Our representatives can also offer expert advice on how to best take advantage of our full product line and custom fabrication abilities. For the name and address of the Frost representative nearest you contact us at (905) 332-5700. You can also fax your request to (905) 332-7105 and we'll get back to you in the same business day to answer any questions you may have. Frost is committed to quality and service, we welcome the opportunity to serve you.

Guarantee

Frost products are guaranteed from defects in workmanship or material for a period of one year from the date of purchase. If any Frost product proves to be defective, it will be repaired or replaced without charge.

Distributed by: