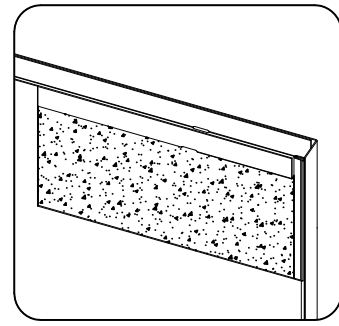
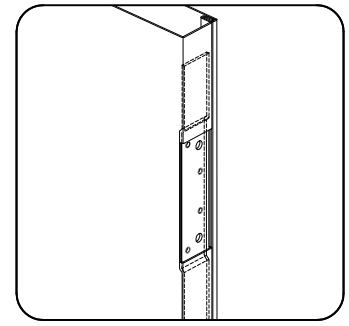


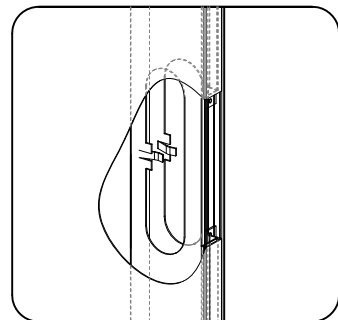
A. CLOSER REINFORCEMENT / TOP CHANNEL
14 ga. closer reinforcement, fitted to 16 ga. inverted top channel



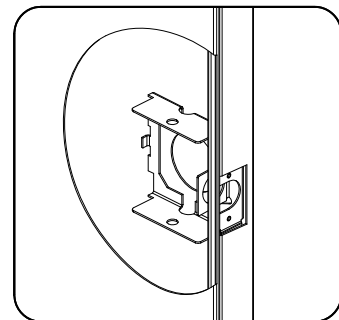
B. RIGID POLYSTYRENE CORE



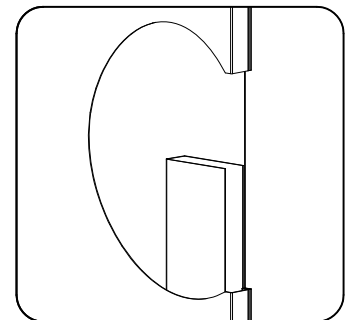
C. HINGE REINFORCEMENT
7 ga. hinge reinforcement (universal) for standard or heavy weight 4.5" high template butt hinges



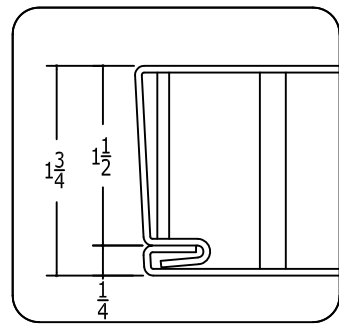
D. ANSI A115.1 #86 MORTISE LOCK REINFORCEMENT
14 ga. reinforcement with lock guide D & T for #12-24 screw



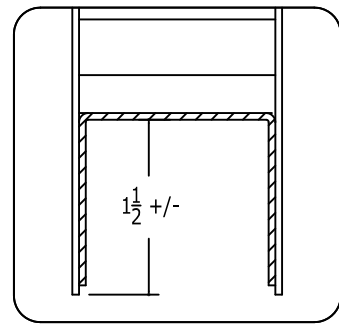
*D. ANSI A115.2 #161 LOCK REINFORCEMENT (SHOWN)
14 ga. reinforcement, 2-3/4" backset D & T for #8-32 screw



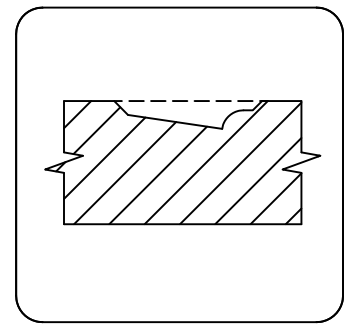
D. RIM PANIC REINFORCEMENT
14 ga. reinforcement (includes reinforcement for surface vertical rod or surface bolts)



E. BEVELLED EDGE LOCK SEAM DESIGN
1/8" in 2"



F. BOTTOM CHANNEL
16 gauge inverted bottom channel



G. TYPICAL PROFILE THROUGH EMBOSSEMENT

TECHNICAL SPECIFICATION:

Material:

A40 Galvanneal 18 Gauge (Standard)

Core:

	STC Rating	R-Value
POLYSTYRENE(STD.)	34	6.60
TEMPERATURE RISE	N/A	N/A

Door Heights: 6'8, 7'0
Minimum Width: 2'8 (Std)
Maximum Width: 3'0 (Std)

Drawing No. D9 Date: 10/04/2012 DECORATOR SERIES 2 PANEL DOOR (STANDARD) Drawn by: LX

PROJECT:



SHEET: ○ OF ○