



Division 10 Catalog

Washroom Accessories from Bradley

One source to perfectly accessorize every application

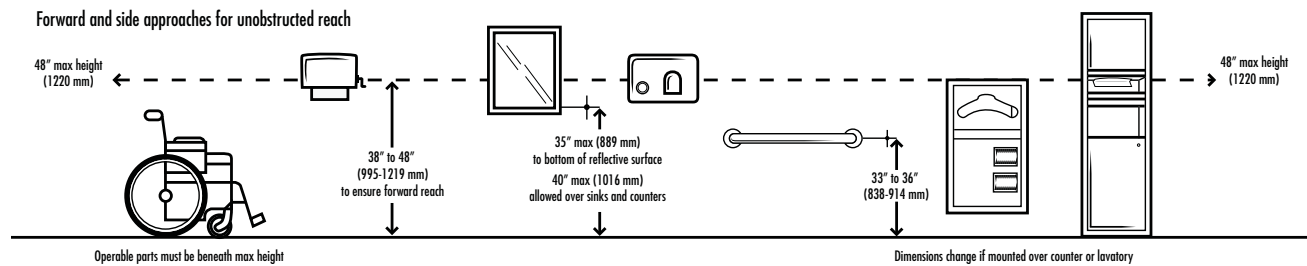


BRADLEYCORP.COM

BRADLEY WASHROOM ACCESSORIES WARRANTY

Product warranties may be found on bradleycorp.com

ACCESSIBILITY GUIDELINES



Note: Information from the ADA-ABA Accessibility Guidelines for Buildings and Facilities found on The United States Access Board website: <http://www.access-board.gov/>

BradEX[®] SHIPPING PROGRAM

BX icon next to a model number indicates a **BradEX**[®] item.

All products designated as **Bradex** products will ship three business days after the date the order has been entered and acknowledged by the Bradley Corporation. Standard shipping terms apply.

Please note: The entire order must consist of **Bradex** products to qualify for three business day shipping.

Need it faster? One day shipping is available with the **Rush Express (BX-R_x)** shipment option. Maximum quantities apply, please contact your local Bradley representative for further information.

CONTENTS

COMMERCIAL RESTROOM

- 3 **Aerix® Hand Dryers**
- 4 **Grab Bars**
 - 5 Grab Bars
 - 6 Grab Bar Configurations
 - 11 Grab Bars: Swing
- 12 **Aerix Hand Dryers**
- 14 **Towels & Waste**
 - 14 Multi-Purpose
 - 16 Waste Receptacles
 - 21 Towel Dispensers
 - 27 Combination Units
- 33 **Soap Dispensers**
 - 33 Wall-Mounted
 - 37 Deck-Mounted
- 39 **Mirrors & Shelves**
 - 39 Mirrors
 - 42 Shelves
- 43 **Toilet Tissue Dispensers**
 - 43 Controlled Delivery
 - 45 Non-controlled Delivery
 - 46 Jumbo Roll
 - 49 Combination Units
- 52 **Seat Cover Dispensers**
- 53 **Napkin Disposals & Vendors**
 - 53 Napkin Disposals
 - 55 Vendors
- 56 **Baby Changing Stations**

SPECIALTY APPLICATIONS

- 57 **Shower Products**
 - 57 Shower Seats
 - 61 Shower Curtains
 - 61 Shower Hooks
 - 62 Shower Rods
- 64 **Security**
 - 64 Hooks
 - 66 Grab Bars
 - 66 Shelves
 - 68 Mirrors
 - 69 Soap Dishes
 - 69 Toilet Tissue Holders
 - 70 Toothbrush Holders
- 71 **Hospitality**
 - 71 Toothbrush Holders
 - 71 Towel Bars & Shelves
 - 74 Soap Dishes
 - 76 Facial Tissue Dispensers
 - 77 Hooks
 - 80 Towel Rings
 - 80 Miscellaneous
- 81 **Custodial**
- 82 **Health Care**
- 83 **Medicine Cabinets**
- 84 **Mills® Partition**
- 85 **Partition Styles**
- 86 **Lenox® Lockers**
- 87 **Maintenance Instructions**
- 88 **Index**

Washroom Accessory Series



Standard Series

The standard look: framed, rectangular, stainless steel accessories



Contemporary Series

A cleaner stainless steel front, no visible frame, attractive curved openings



Diplomat™ Series

Elevate your room's look with the unique dual-curve geometry of Diplomat™ Series Accessories

Aerix Hand Dryers

Bradley's complete line of Aerix hand dryers cover any application or budget. These dryers reduce paper towel and energy costs, protect the environment, keep noise levels down and are easy to use and maintain.

NEW Aerix+ dryers incorporate the latest technology for the fastest drying times available. And the vertical, dual-sided dryer has an easy-to-empty water collection tray to keep floors and walls clean.



The latest dryer technology for ultra fast dry times.
Extremely powerful, yet highly efficient.

MODEL 2921 SERIES

Vertical, dual-sided dryer with 25% more hand drying space and easy-to-empty water collection reservoir to keep floors and walls spotless. Plus, the intelligent LED display indicates when to empty the water tray and change the HEPA filter.

- 10–12 second dry time
- Adjustable speed
- Intelligent LED display for easy maintenance
- High impact cover with antimicrobial technology
- HEPA filter with odor neutralizing technology
- Quieter operation than popular models
- Durable and vandal resistant
- ADA compliant



2921-W000

2921-S000

MODEL 2922 SERIES

These highly efficient, ultra high speed hand dryers use 40% less energy and offers the longest service life of any high speed hand dryer. Plus, flexible controls let you customize air flow, sound quality and heating options to fit any application.

- 10–12 second dry time
- Adjustable speed
- Longest service life of any high speed dryer
- Energy efficient
- Customize to fit any application
- Cover and internal airflow path with antimicrobial technology
- Durable and vandal resistant



2922-2873

2922-2874

See all Aerix hand dryers on pages 12 - 13

GRAB BARS

All Bradley Grab Bars are designed for safety and security of the physically disabled, and feature the 1½" (38 mm) safety clearance recommended by Barrier-Free design experts and required under most codes.

Optional Features are listed on page 15. See technical data for BradEX sizes. **BX**

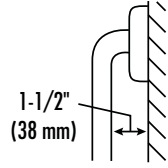
ANCHORING DEVICES

Building construction will govern the type of anchorage required.

Note: All mounting kits must be specified as optional extras. Order one kit for each flange.

See technical data for details.

Bradley will design and manufacture modified bars to satisfy unique installation applications. Contact your local Bradley representative for information.



Standard Safety Clearance meets ADA requirements.

FEATURES

- Heavy-duty, 18-gauge stainless steel tubing
- Meets or exceeds requirements of ANSI Standard A117.1, ADA and ABA Accessibility Guidelines for Buildings and Facilities (ADAAG) and Uniform Federal Accessibility Standard (UFAS)
- Select configurations of the 812 and 817 series meet bariatric load requirements of the American Society of Healthcare Engineers (ASHE) 2010 guidelines for design and construction of healthcare facilities
- Attractive satin finish, safety grip finish or polished safety grip finish
- Easy to install with optional anchoring devices

HOW TO SPECIFY GRAB BARS

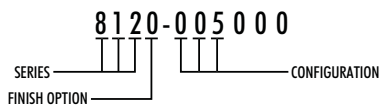
1. Select Series Number (812, 817, 832, etc.)

| HEAVY-DUTY SERIES | | | |
|-------------------|----------------------|----------------------|---------------------|
| Mounting | 1½" (38 mm) diameter | 1¼" (32 mm) diameter | 1" (25 mm) diameter |
| Concealed | 812 | 832 | 852 |
| Exposed | 817 | 837 | 857 |

2. Select Finish Option (standard, safety grip, etc.)

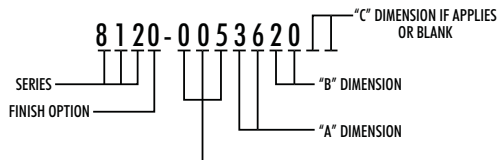
| FEATURE | ADD SUFFIX |
|---|------------|
| Standard | 0 |
| Safety Grip Finish | 2 |
| Bright Polished Finish | 4 |
| Bright Polished Finish with Safety Grip | 7 |

3. Select Grab Bar Configuration (001, 002, 005, etc.)



4. Select Dimensions Required

- If no modifications are required to the dimensions, an example of the Part No. is:

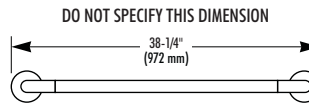
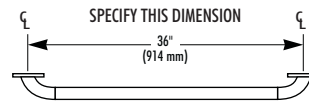


- Always list dimensions in alphabetical order (i.e., 36" x 20" (914 mm x 508 mm))

Note: If modifications are required to the dimensions other than A, B, or C, or if fractions are needed, contact Bradley for a submittal and special number. Unless otherwise stated, stand-off will be on long section of bar. All dimensions shown in diagrams are from wall to centerline of mounting flange or centerline of grab bar. Standard clearance is 1½" (38 mm).

HOW TO MEASURE A GRAB BAR

All Grab Bar Configurations are specified using centerline to centerline dimensions.



- Obtain length of side bars:
Side wall dimension - (Safety clearance 1½" (38 mm) + ½ Diameter of Grab Bar + 2" (51 mm))

- Obtain back bar dimension:
Back wall dimension - (Safety clearance 1½" (38 mm) + ½ Diameter of Grab Bar x 2" (51 mm))

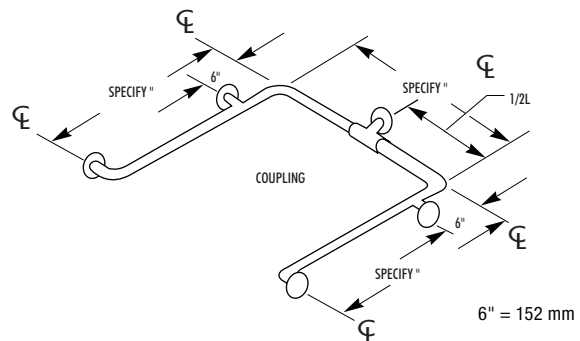
Example: 812 Series Grab Bar:

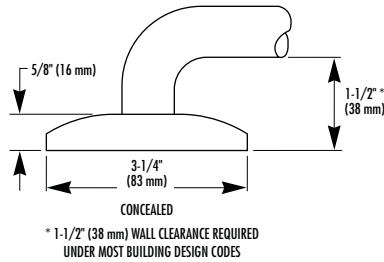
If wall dimensions are 30" (762 mm) side x 58" (1473 mm) back x 30" (762 mm) side, then:

Sides: 30" - (1½" + ¾" + 2") = 25¾" (762 mm - (38 mm + 19 mm + 51 mm) = 654 mm)

Back: 58" - (1½" + ¾" x 2") = 53½" (1473 mm - (38 mm + 19 mm + 51 mm) = 1359 mm)

Grab Bar dimensions would be 25¾" x 53½" x 25¾" (654 mm x 1359 mm x 654 mm)

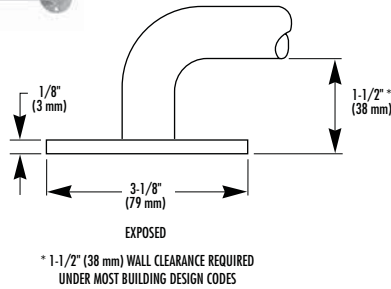




812 SERIES

Grab bar of 1 1/2" (38 mm) O.D., 18-gauge stainless steel, seamless construction with exposed surfaces in architectural satin finish. Mounting flanges concealed by snap-on escutcheons. Antimicrobial option is available for select sizes.

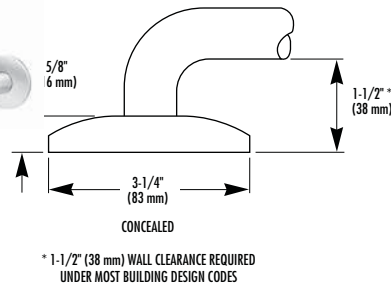
- 2 Safety-Grip Finish
- 4 High-Polish Finish
- 7 Safety Grip with Polished Finish on Ends



817 SERIES

Grab bar of 1 1/2" O.D. (38 mm), 18-gauge stainless steel, seamless construction with exposed surfaces in architectural satin finish. Exposed mounting flanges.

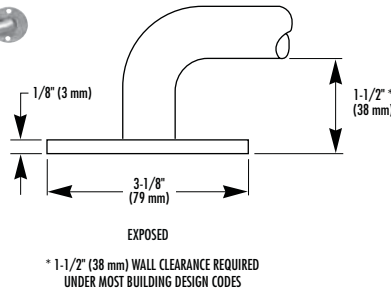
- 2 Safety-Grip Finish
- 4 High-Polish Finish
- 7 Safety Grip with Polished Finish on Ends



832 SERIES

Grab bar of 1 1/4" O.D. (32 mm), 18-gauge stainless steel, seamless construction with exposed surfaces in architectural satin finish. Mounting flanges concealed by snap-on escutcheons.

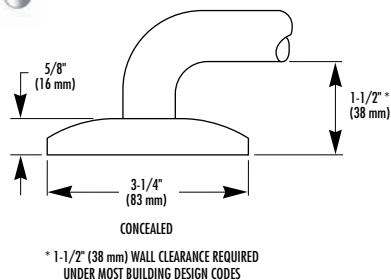
- 2 Safety-Grip Finish
- 4 High-Polish Finish
- 7 Safety Grip with Polished Finish on Ends



837 SERIES

Grab bar of 1 1/4" O.D. (32 mm), 18-gauge stainless steel, seamless construction with exposed surfaces in architectural satin finish. Exposed mounting flanges.

- 2 Safety-Grip Finish
- 4 High-Polish Finish
- 7 Safety Grip with Polished Finish on Ends



852 SERIES

Grab bar of 1" O.D. (25 mm), 18-gauge stainless steel, seamless construction with exposed surfaces in architectural satin finish. Concealed mounting flanges.

- 2 Safety-Grip Finish
- 4 High-Polish Finish
- 7 Safety Grip with Polished Finish on Ends

GRAB BAR CONFIGURATIONS

TYPICAL WATER CLOSET APPLICATIONS

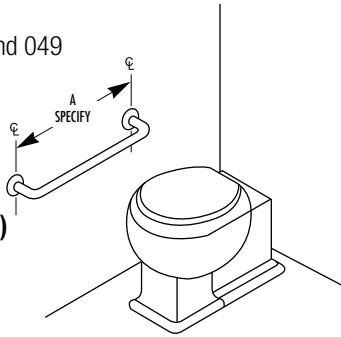
001

Specify length desired. See 048 and 049 for 45° mounting. 001 over 54" (1372 mm) requires a center support and becomes 002.

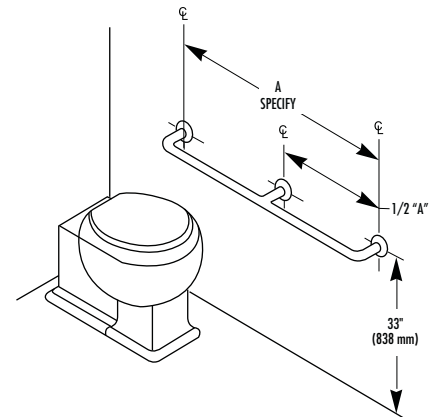
Select dimensions can support up to 1,000 lb (454 Kg)



When installed as specified, unit meets "Barrier-Free" requirements.

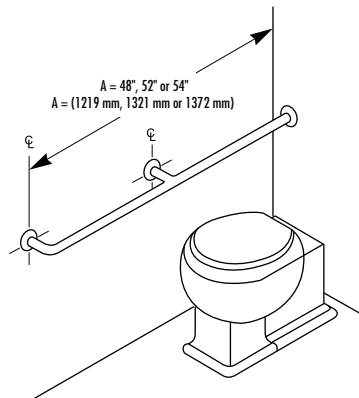


002

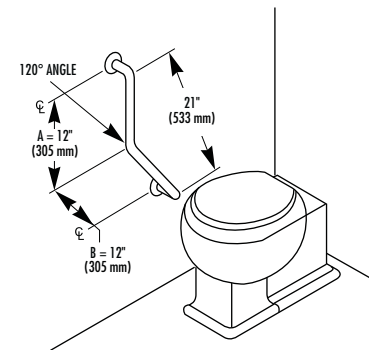


003

Standard lengths 48", 52" or 54" (1219 mm, 1321 mm or 1372 mm) Only one end return. Special size "A" dimensions, center post will only be added to models greater than 24" (610 mm).

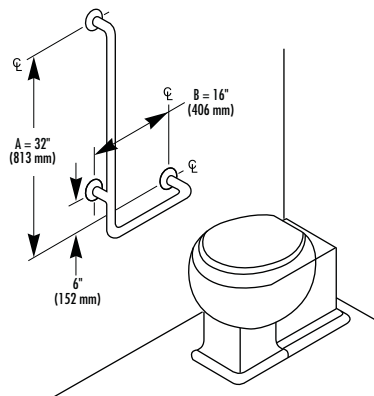


004



005

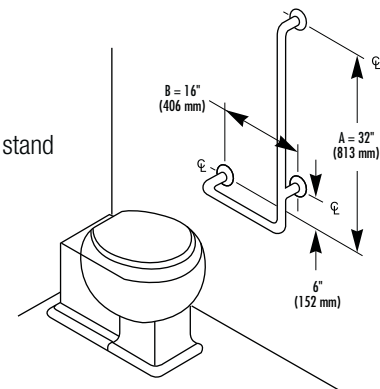
"A" dimension will always have stand off.



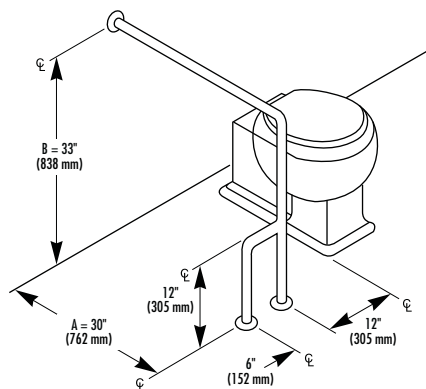
006

Opposite 005.

"A" dimension will always have stand off.



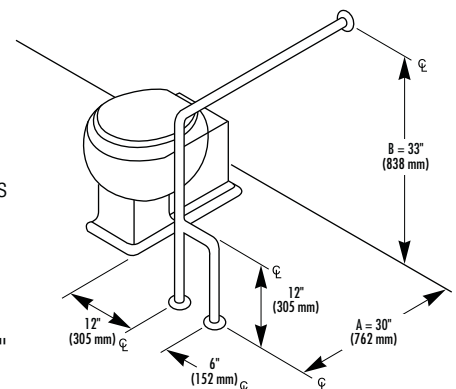
010



011

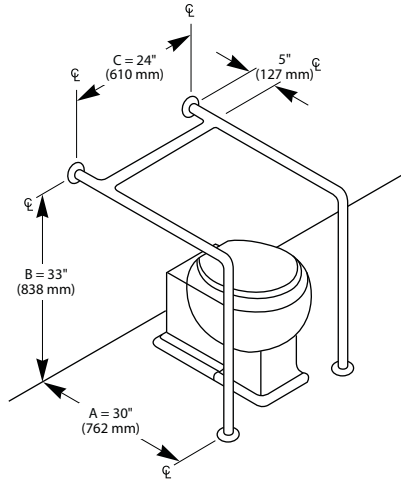
Opposite 010.

Note: When grab bar dimensions are modified, a support will be added to all sections longer than 54" (1372 mm).



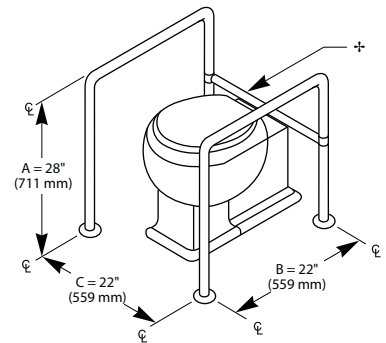
012

Confirm clearance between fixture or plumbing and grab bar in individual applications.



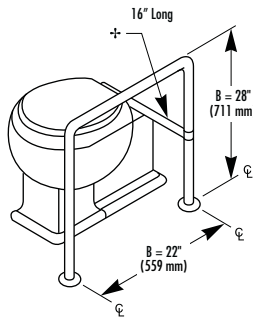
039

+Bar slides to accommodate various size water closets. Flat bar – 2" (51 mm) wide x 1/8" (3 mm) thick. 11 ga. bolts to toilet.



039-1

+Bar adjustable for right or left hand mounting. Flat bar – 2" (51 mm) wide x 1/8" (3 mm) thick. 11 ga. bolts to toilet.

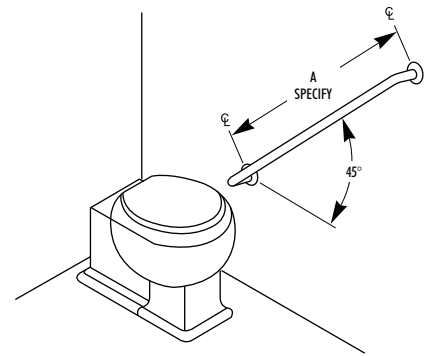


048

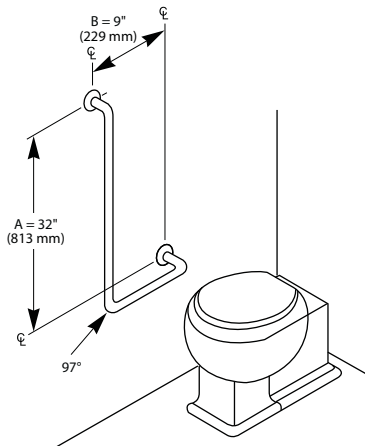
(shown)

049

Opposite hand.

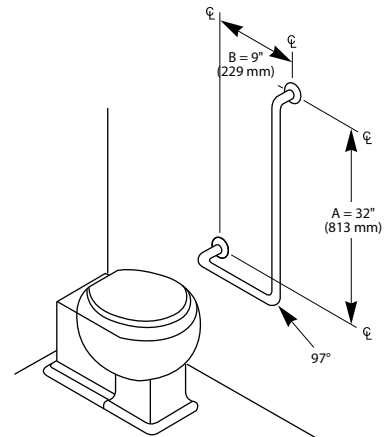


040

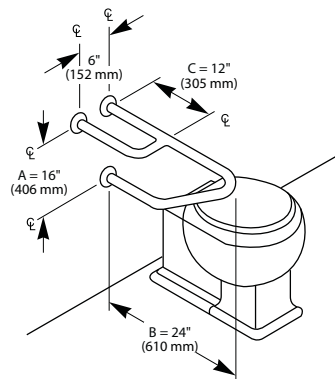


041

Opposite 040.

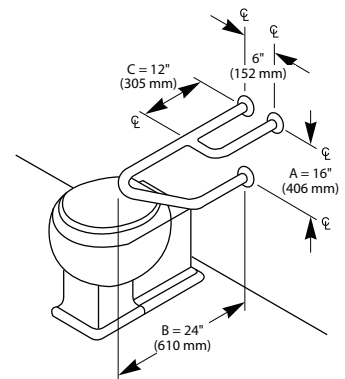


115



116

Opposite 115.



GRAB BAR CONFIGURATIONS

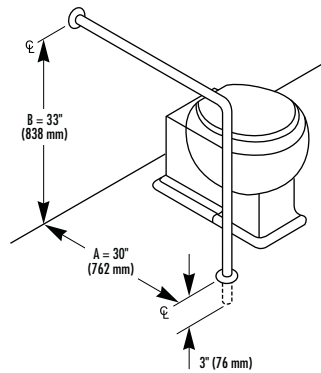
TYPICAL WATER CLOSET APPLICATIONS

054

30" x 33"
(762 mm x 838 mm)

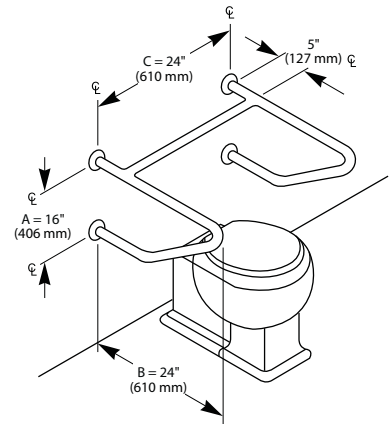
Note: 1" (25 mm)
not available for this
application.

**Select dimensions
can support up to
1,000 lb (454 Kg).**



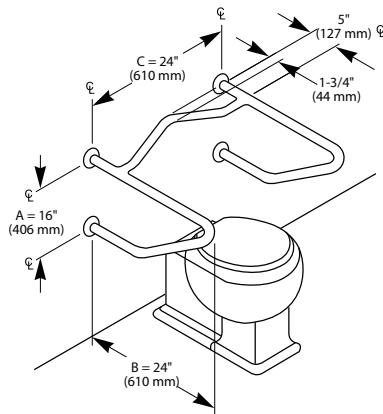
117

Confirm clearance
between fixture or
plumbing and grab
bar in individual
applications.



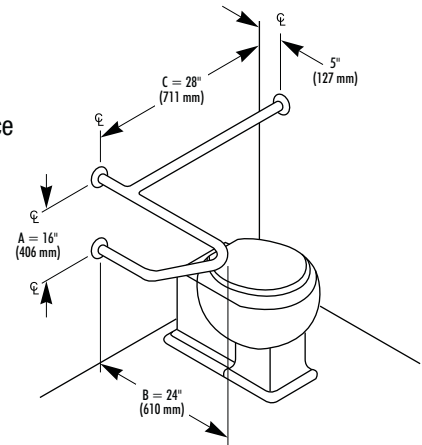
118

Confirm clearance
between fixture or
plumbing and grab
bar in individual
applications.



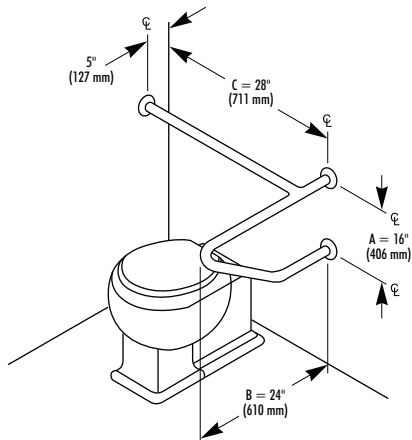
119

(Shown)
Confirm clearance
between fixture or
plumbing and grab
bar in
individual
applications.



120

• Opposite 119.

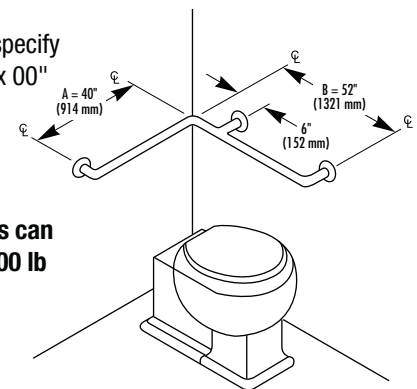


059

For special sizes, specify
059 modified 00" x 00"
(mm x mm).

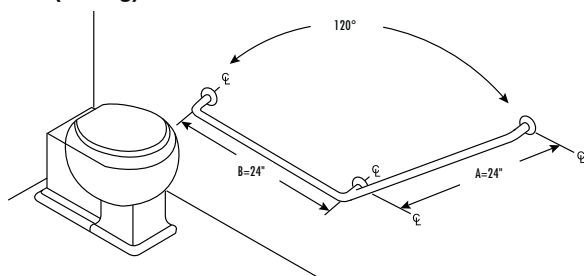
B side will have
stand off.

**Select dimensions can
support up to 1,000 lb
(454 Kg).**

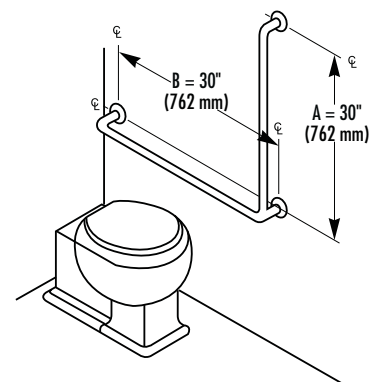


055

**Select dimensions
can support up to
1,000 lb (454 Kg).**

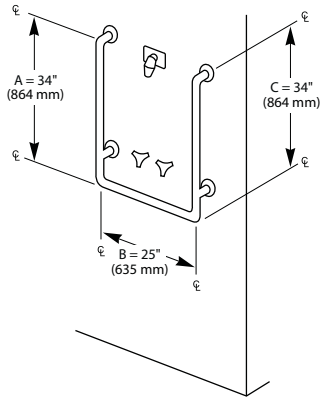


057

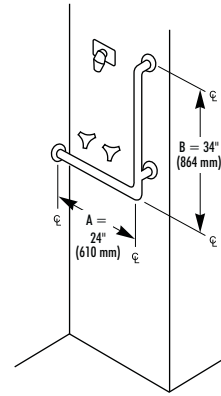


TYPICAL SHOWER APPLICATIONS

007

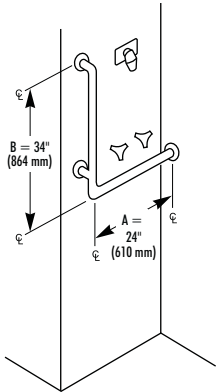


032

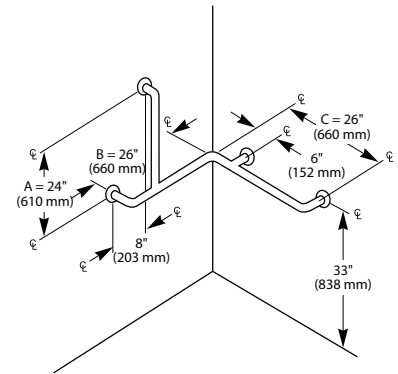


033

Opposite 032.

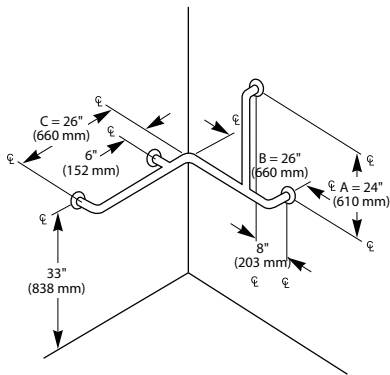


034

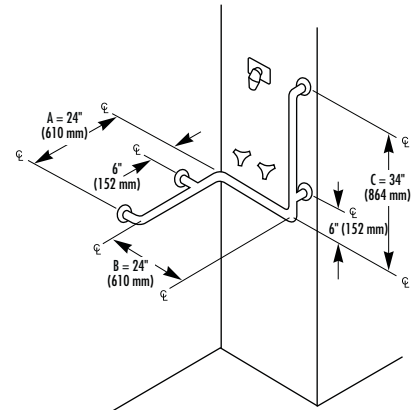


035

Opposite 034.

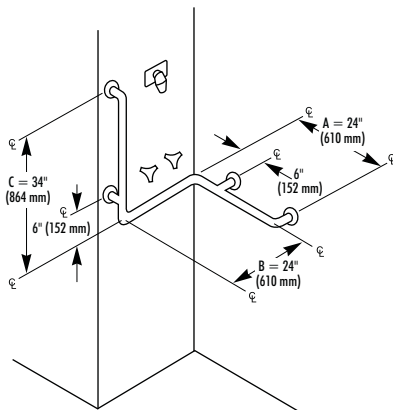


036



037

Opposite 036.



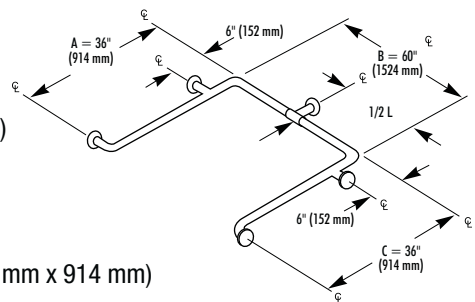
060

Specify
00" x 00" x 00"
(mm x mm x mm)

Note: Standard
dimensions are
36" x 60" x 36"
(914 mm x 1524 mm x 914 mm)

This configuration ships in two pieces which
are joined at the coupling. This configuration
is UPS-shippable.

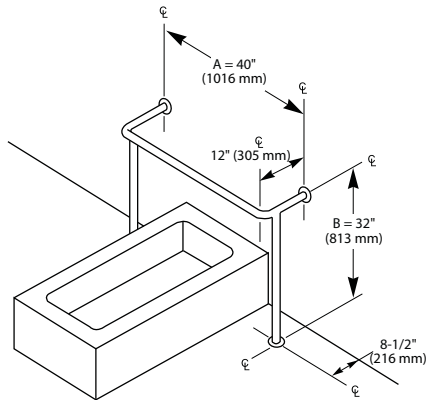
Select dimensions can support up to 1,000 lb (454 Kg).



GRAB BAR CONFIGURATIONS

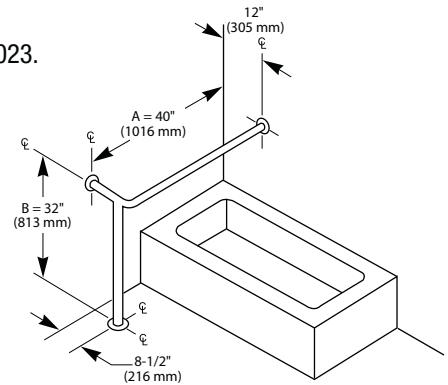
TYPICAL TUB APPLICATIONS

021

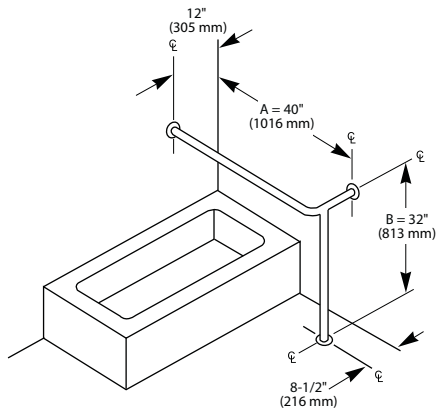


022

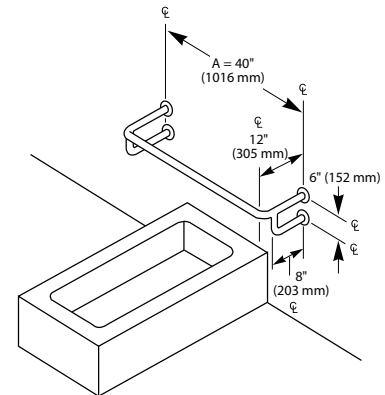
Opposite 023.



023

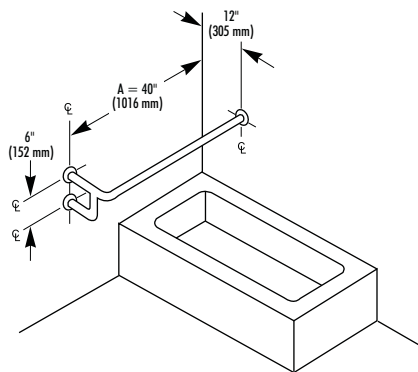


024

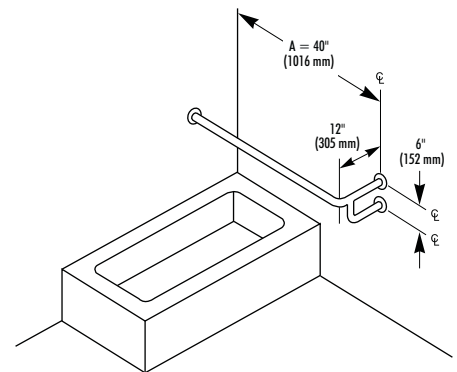


026

Opposite 027.

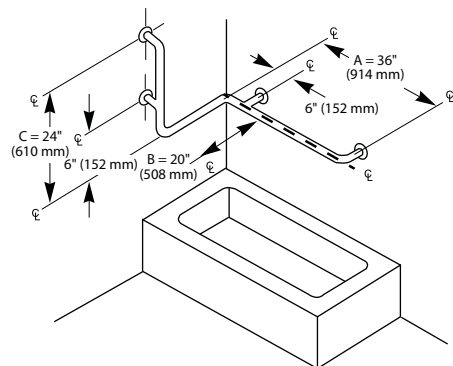


027

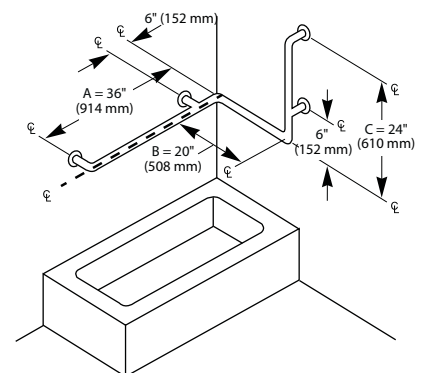


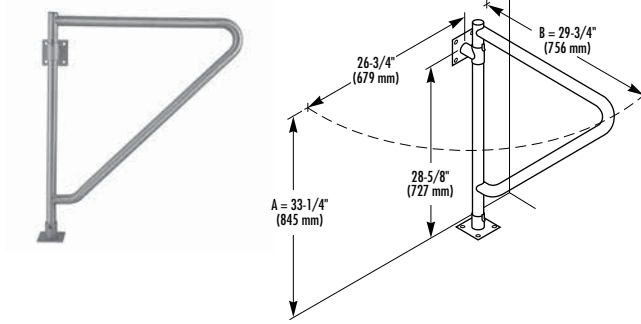
030

Opposite 031.



031





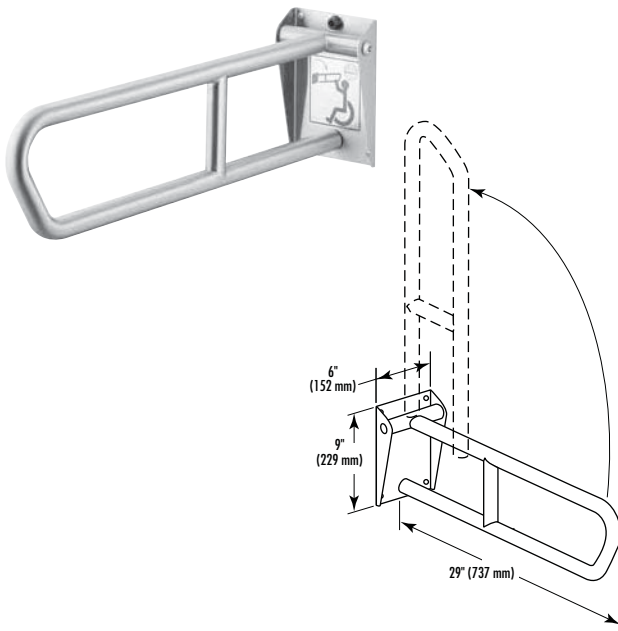
MODEL 8170-158

MODEL 8170-1581 with Integral Tissue Dispenser

Swing-away grab bar can be rotated to a support or departure position. Locks into support position.

1 1/2" O.D. (38 mm), 18-gauge stainless steel with exposed surfaces in architectural satin finish. Wall and floor flanges of 3/16" (5 mm) thick stainless steel plate.

-2 Safety-Grip Finish



BX MODEL 8370-101

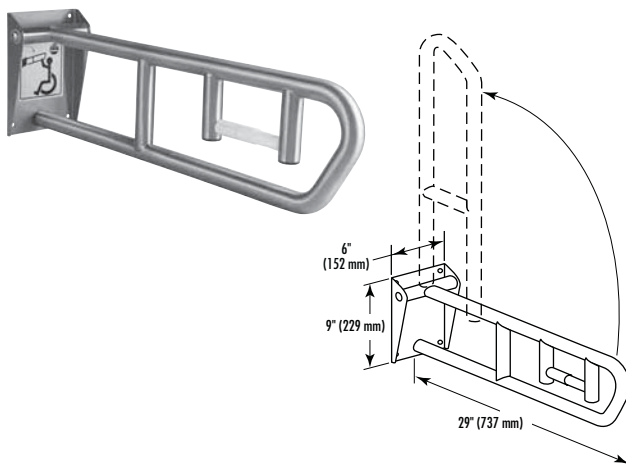
Swing-up grab bar swings up when not in use. Designed to prevent it from accidentally falling into position. Operates with less than 5 lb (2.3 Kg) of force.

1 1/4" O.D. (32 mm), 18-gauge stainless steel with exposed surfaces in architectural satin finish. Bar projects 29" (737 mm) from wall when in horizontal position.

BX -2 Safety-Grip Finish

BX MODEL 8370-102

Bar projects 34" (864 mm) from wall in horizontal position.



BX MODEL 8370-103

Swing-up grab bar with integral tissue dispenser. Swings up when not in use. Operates with less than 5 lb (2.3 Kg) of force.

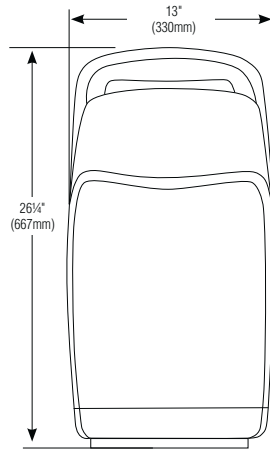
1 1/4" O.D. (32 mm), 18-gauge stainless steel with exposed surfaces in architectural satin finish. Tissue dispenser spindle of ABS plastic with concealed spring. Bar projects 29" (737 mm) from wall in horizontal position.

-2 Safety-Grip Finish



AERIX HAND DRYERS

Bradley's Aerix® hand dryers save time, money and headaches. NEW Aerix+ models offer the ultimate in high speed, high efficiency hand drying. There is an Aerix model to suit every application!



BX **MODEL 2921-S000 NEW!**

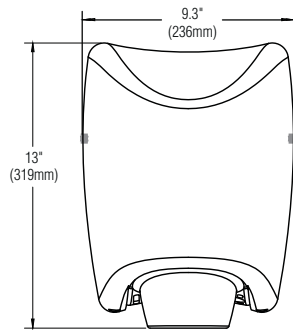
Aerix+ high speed, vertical dual-sided dryer. Surface-mounted. Adjustable speed. High impact ABS cover in silver.

- 10-12 second dry time
- 25% greater hand drying opening for more space and comfort
- Easy-to-empty water collection reservoir for clean floors and walls
- Replaceable HEPA filter

Overall dimensions 13" W x 26.25" H x 9.25" D.

BX **MODEL 2921-W000 NEW!**

Surface-mounted. High impact ABS cover in white.



BX **MODEL 2922-2873 NEW!**

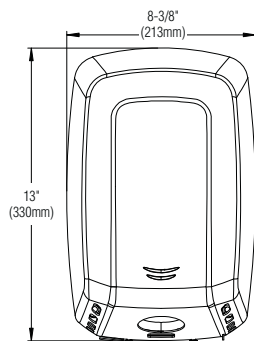
Aerix+ high speed, vertical dual-sided dryer. Surface-mounted. Adjustable speed. White cast aluminum cover with epoxy paint.

- 10-12 second dry time
- The longest service life of any high speed hand dryer
- Uses 40% less energy than any high speed hand dryer

Overall dimensions 9.3" W x 13" H x 7.6" D.

BX **MODEL 2922-2874 NEW!**

Surface-mounted. Stainless steel finish cover with satin finish.



BX **MODEL 2901-2873 NEW!**

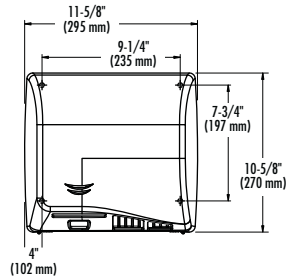
Surface-mounted. One-piece steel cover with white epoxy finish.

- 12-15 second dry time
- Universal voltage
- Adjustable speed
- Quieter operation than other dryers on the market

Overall dimensions 8.4" W x 13" H x 6¹¹/₁₆" D.

BX **MODEL 2901-2874 NEW!**

Surface-mounted. Stainless steel finish cover with satin finish.



BX **MODEL 2902-280000** White

Aerix adjustable speed dryer with $\frac{3}{16}$ " (5 mm) thick porcelain cast iron cover.

- Adjustable speed hand dryer
- "No-Touch" sensor operation
- 12-15 second drying time
- Universal voltage
- Vandal-resistant
- ADA compliant

Surface-Mounted

Mounting holes match those of most popular models.

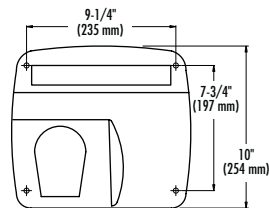
Overall dimensions 11 $\frac{3}{8}$ " W x 10 $\frac{3}{5}$ " H x 4" D.

BX **MODEL 2902-287300**

$\frac{1}{16}$ " (2 mm) thick white enamel coated steel cover.

BX **MODEL 2902-287400**

$\frac{1}{16}$ " (2 mm) thick stainless steel cover with satin finish.



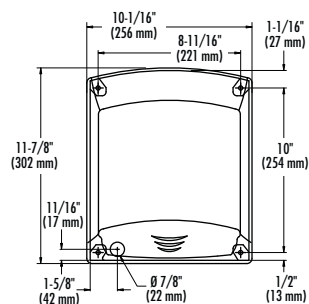
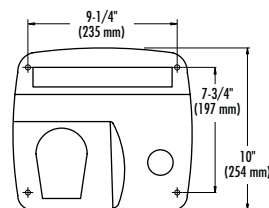
BX **MODEL 2903-280000** White

Infrared sensor activation. Cast iron cover. 29 second drying time. Surface-mounted: mounting holes match those of most popular models.

Overall dimensions 11 $\frac{1}{8}$ " W x 10" H x 8 $\frac{1}{4}$ " D.

BX **MODEL 2904-280000** White

Push button activation. Cast iron cover.



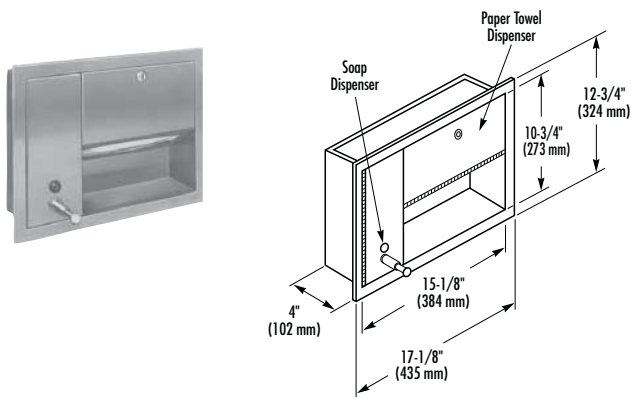
BX **MODEL 2905-287300** White

Modern design. "No-Touch" sensor activation. Steel cover. 38 second drying time. Ideal for medium-to-low traffic and medium-to-low vandal applications.

Overall dimensions 10 $\frac{1}{6}$ " W x 11 $\frac{7}{8}$ " H x 5 $\frac{1}{2}$ " D.

TOWELS & WASTE MULTI-PURPOSE

You need options and we have them. Accessories to fit every washroom – and every budget. Contemporary satin finish stainless steel design to match any decor in recessed, semi-recessed and surface-mounted styles. From stylish restaurants and office buildings to schools and recreation centers, Bradley's line of accessories will fit any application.

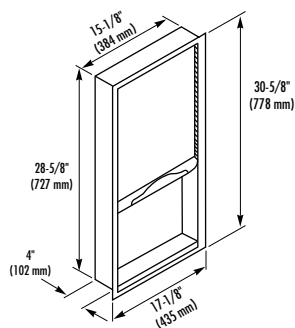


MODEL 1471

Recessed unit dispenses 250 multi-fold or 150 C-fold towels. Swing out soap dispenser for filling with capacity for 40 oz (1.2 L) of liquid soap. Sight gauge indicates refill time.

Rough wall opening $15\frac{1}{2}$ " W x $11\frac{1}{4}$ " H x 4" D.

-11 **Surface-Mounted** projects 4" (102 mm) from wall.



MODEL 155

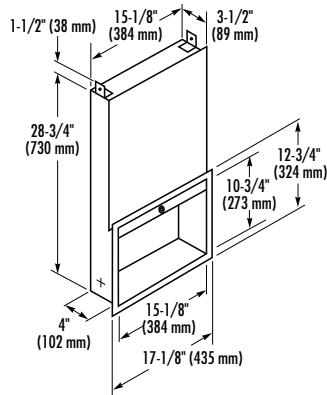
Mirrored door 15" W x 18" H (381 mm x 457 mm). 800 multi-fold or 600 C-fold towel capacity.

Rough wall opening $15\frac{5}{8}$ " W x $29\frac{1}{8}$ " H x 4" D.

-10 **Semi-Recessed** projects 2" (51 mm) from wall.

-11 **Surface-Mounted** projects 4" (102 mm) from wall.



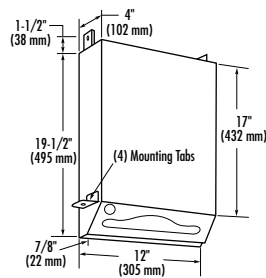


MODEL 198

For use behind continuous mirror or finished wall. 800 multi-fold or 600 C-fold towel capacity. Lock secured.

Rough wall opening 15 5/8" W x 30 1/4" H x 4" D.

Use with 1/2" (13 mm) thick drywall installations.

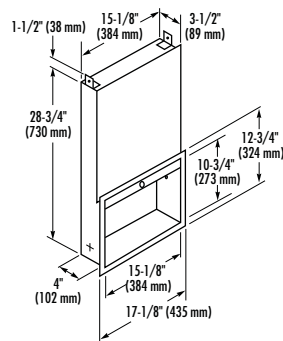


MODEL 1981

In-wall mounted towel dispenser for use behind mirror.

Dispenses 800 multi-fold or 600 C-fold towels. Lock secures behind hinged dispenser lip which opens for bottom refilling.

Rough wall opening 12 1/2" W x 18 1/2" H x 4" D.



MODEL 1985

For use behind continuous mirror or finished wall. 800 multi-fold or 600 C-fold towel capacity. Lock secures hinged towel dispenser lip which opens for refilling from bottom.

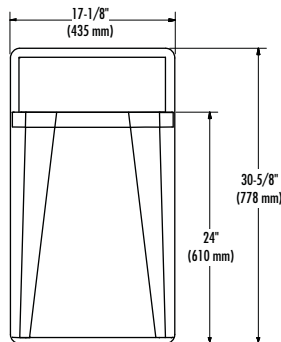
Rough wall opening 15 5/8" W x 30 1/4" H x 4" D.

Use with 5/8" (16 mm) thick drywall installations.



TOWELS & WASTE RECEPTACLES

Bradley Waste Receptacles provide convenience and durability. Units are fabricated of stainless steel with exposed surfaces in architectural satin finish. Recessed units feature one-piece, stainless steel flanges of welded construction with seamless corners, burr-free edges and 1/4" (6 mm) return to conceal wall irregularities.



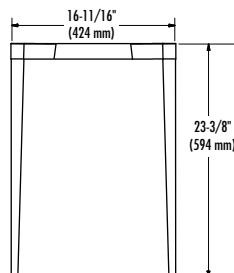
BX MODEL 3A05

Designed with unique dual-curve geometry. Constructed of architectural satin finish stainless steel. 12 gal (45.4 L), removable, stainless steel waste receptacle. Secured to cabinet with tumbler lock. Recess-mounted.

Rough wall opening 15³/₄" W x 29³/₁₆" H x 4" D.

-10 **Semi-Recessed** 2" (51 mm) in wall, projects 6¹/₁₆" (170 mm) from wall.

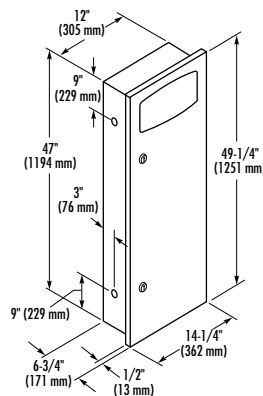
-11 **Surface-Mounted** projects 8¹/₁₆" (221 mm) from wall.



BX MODEL 3A15-11

Designed with unique dual-curve geometry. Constructed of architectural satin finish stainless steel. 16.5 gal (62.5 L), stainless steel waste receptacle.

Unit measures 16¹/₁₆" W x 23³/₈" H x 11¹/₁₆" D.



MODEL 3157

CONTEMPORARY SERIES

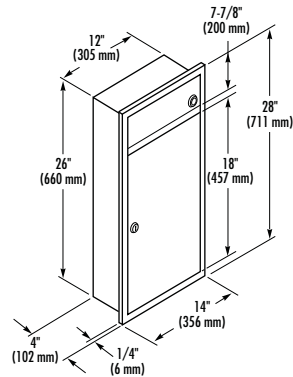
Recessed unit with push-flap door and 9.2 gal (34.8 L), removable, leak-proof, molded-plastic insert.

Rough wall opening 12¹/₂" W x 47¹/₂" H x 6¹/₂" D.

-10 **Semi-Recessed** 3" (76 mm) in wall, projects 3³/₄" (95 mm) from wall.

-11 **Surface-Mounted** projects 6³/₄" (171 mm) from wall.



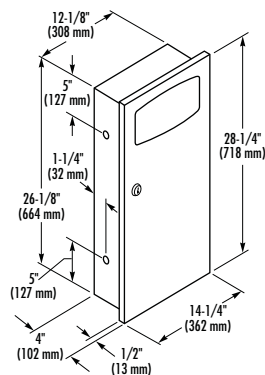
**MODEL 3251**

Recessed unit with 2.8 gal (10.6 L), removable, leak-proof, molded-plastic, waste receptacle insert. Tumbler lock. Push-flap door with full-length piano hinge covers receptacle opening.

Rough wall opening $12\frac{1}{2}$ " W x $26\frac{1}{2}$ " H x 4" D.

-10 **Semi-Recessed** 2" (51 mm) in wall, projects 2" (51 mm) from wall.

-11 **Surface-Mounted** projects 4" (102 mm) from wall.

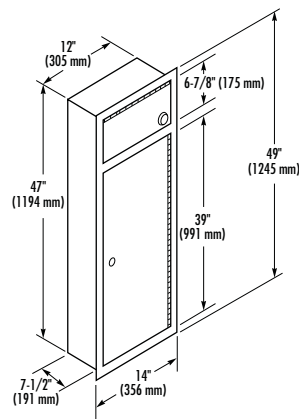
**MODEL 3257****CONTEMPORARY SERIES**

Recessed unit with push-flap door and 2.8 gal (10.6 L), removable, leak-proof, molded-plastic insert.

Rough wall opening $12\frac{5}{8}$ " W x $26\frac{5}{8}$ " H x 4" D.

-10 **Semi-Recessed** 2" (51 mm) in wall, projects 2" (51 mm) from wall.

-11 **Surface-Mounted** projects 4" (102 mm) from wall.

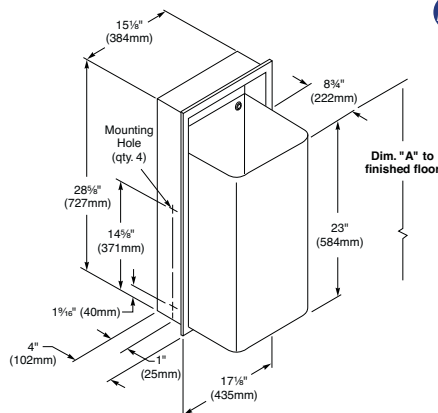
**MODEL 315-35**

Recessed unit with full-length piano hinge and tumbler lock keyed alike to companion Bradley units. 9.2 gal (34.8 L), removable, leak-proof, molded-plastic insert. Push-flap door with full-length piano hinge covers receptacle opening.

Rough wall opening $12\frac{1}{2}$ " W x $47\frac{1}{2}$ " H x $7\frac{1}{2}$ " D.

-10 **Semi-Recessed** $3\frac{1}{2}$ " (89 mm) in wall, projects 4" (102 mm) from wall.

-11 **Surface-Mounted** projects $7\frac{1}{2}$ " (191 mm) from wall.

**MODEL 334**

Recessed waste receptacle shall be fabricated of heavy gauge stainless steel with seamless exposed surfaces in satin finish. Removable 18 gal (68.1 L) stainless steel waste receptacle. Heavy-duty vinyl liner is optional. Receptacle secured to cabinet with tumbler lock.

Overall dimensions: $17\frac{1}{8}$ " W x $30\frac{5}{8}$ " H x $12\frac{3}{4}$ " D.



RECESSED

BX MODEL 344

12-gallon, removable, stainless steel waste receptacle. Secured to cabinet with tumbler lock. Heavy-duty, reusable, 12 gal (45.4 L) liner available as an accessory. Order separately using part number **P11-004**.

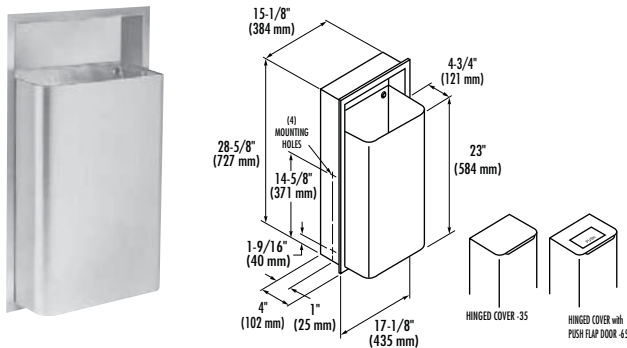
Rough wall opening $15\frac{5}{8}$ " W x $29\frac{1}{8}$ " H x 4" D.
Receptacle projects $4\frac{3}{4}$ " (121 mm).

MODEL 344-35 Hinged Cover Unit

MODEL 344-65 Push-Flap Door Unit

-10 Semi-Recessed 2" (51 mm) in wall, projects $6\frac{3}{4}$ " (171 mm) from wall.

-11 Surface-Mounted projects $8\frac{3}{4}$ " (222 mm) from wall.



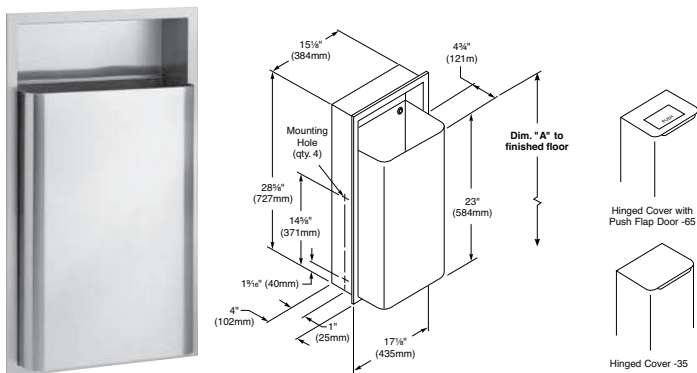
MODEL 346

Recessed waste receptacle made of heavy gauge stainless steel with seamless exposed surfaces and tumbler lock. in satin finish. Removable 12 gal (45.4 L) stainless steel waste receptacle. Heavy-duty vinyl liner is optional. tumbler lock.

Rough wall opening $15\frac{5}{8}$ " W x $29\frac{1}{8}$ " H x 6" D.

-10 Semi-Recessed 4" (102 mm) in wall, projects $4\frac{3}{4}$ " (121 mm) from wall.

-11 Surface-Mounted projects $8\frac{3}{4}$ " (222 mm) from wall.



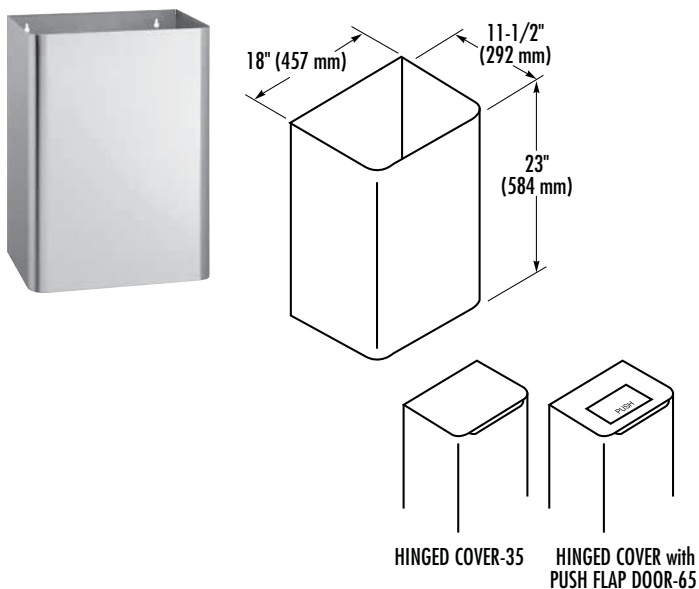
SURFACE-MOUNTED

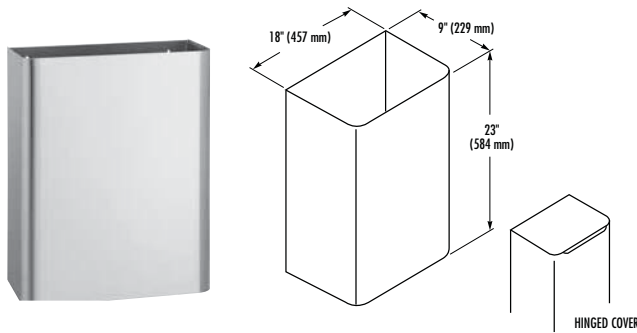
MODEL 355

20.6 gal (78 L), stainless steel waste receptacle. Heavy-duty, reusable, 20.6 gal (78 L) liner available as an accessory. Order separately using part number **P11-005**.

Unit measures 18" W x 23" H x $11\frac{1}{2}$ " D.

MODEL 355-35 Hinged Cover Unit

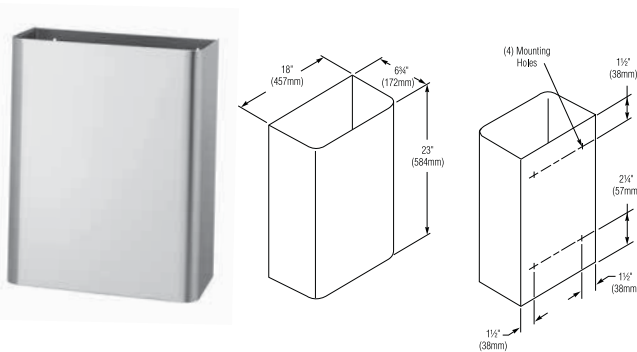


**MODEL 356**

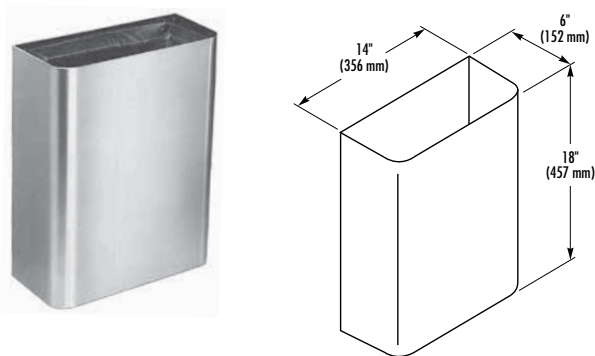
16.5 gal (62.5L), stainless steel waste receptacle. Heavy-duty, reusable, 16.5 gal (62.5L) liner available as an accessory. Order separately using part number **P11-006**.

Unit measures 18" W x 23" H x 9" D.

MODEL 356-35 Hinged Cover Unit

**MODEL 3565**

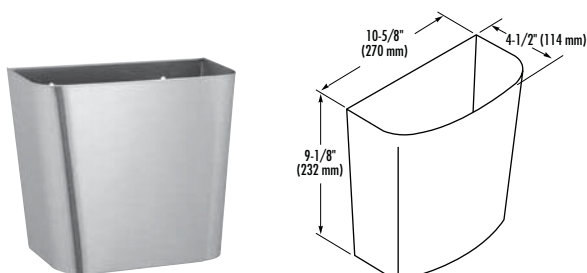
12 gal (45.4 L), stainless steel waste receptacle.

**MODEL 357**

6.5 gal (24.6 L), stainless steel waste receptacle. Heavy-duty, reusable, 6.5 gal (24.6 L) liner available as an accessory. Order separately using part number **P11-007**.

Unit measures 14" W x 18" H x 6" D.

MODEL 357-35 Hinged Cover Unit

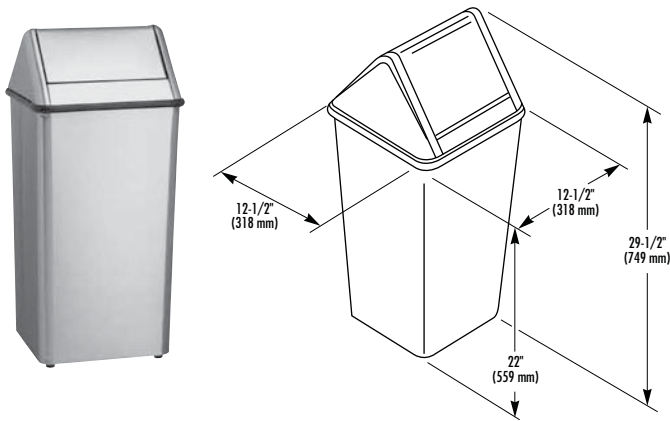
**MODEL 359**

1.5 gal (5.8 L), stainless steel waste receptacle. Utilizes disposable, wet-strength paper liner.

Unit measures 10 5/8" W x 9 1/8" H x 4 1/2" D.



FREESTANDING



MODEL 377

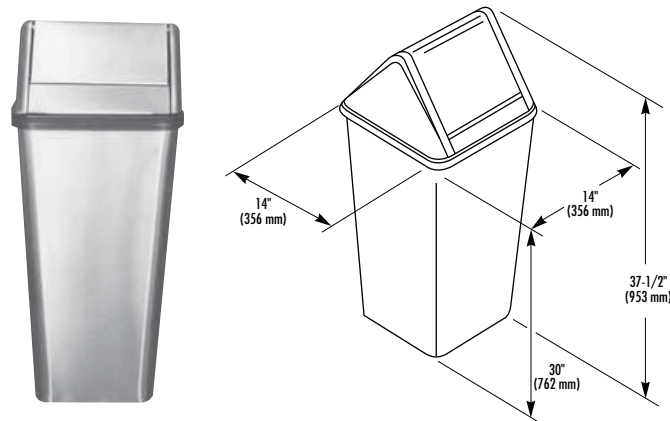
Freestanding, 13 gal (49.2 L), stainless steel waste receptacle.

Removable swing top.

Unit measures 29½" H x 12½" SQ.

MODEL 377-37 Less Swing Top

MODEL P15-025 Cover Only



MODEL 377-36

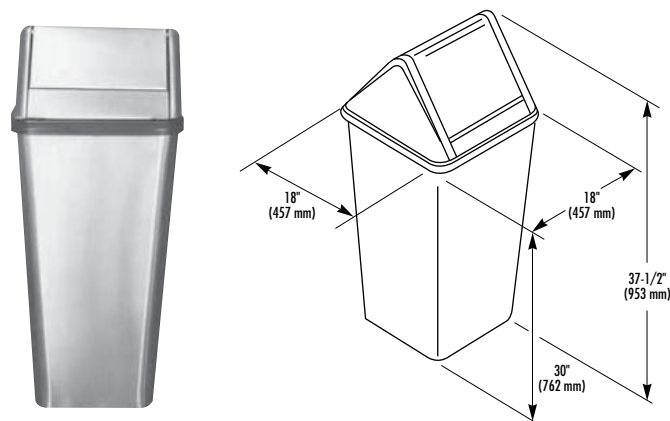
Freestanding, 21 gal (79.5 L), stainless steel waste receptacle.

Removable swing top.

Unit measures 37½" H x 14" SQ.

MODEL 377-3637 Less Swing Top

MODEL P15-098 Cover Only



MODEL 377-38

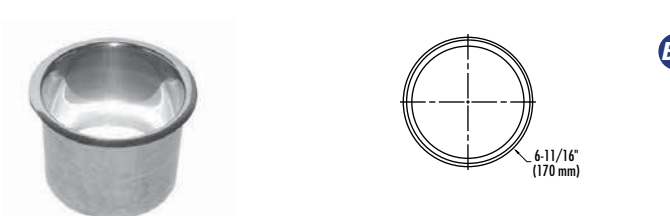
Freestanding, 36 gal (136.3 L), stainless steel waste receptacle.

Removable swing top.

Unit measures 37½" H x 18" SQ.

MODEL 377-3738 Less Swing Top

MODEL P15-195 Cover Only

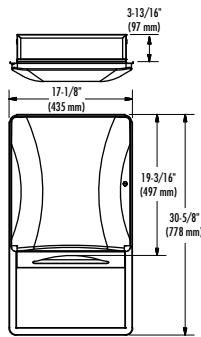


BX MODEL P10-696

Unit fabricated of stainless steel of drawn seamless construction and bright polished finish.

Countertop rough-in 6" (152 mm) diameter hole.

Overall dimensions 6¾" (171 mm) diameter x 3½" (89 mm) D.

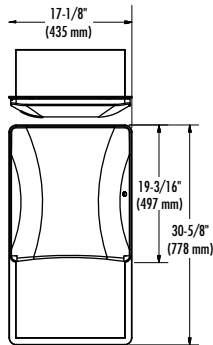


MODEL 2A00

Designed with unique dual-curve geometry. Constructed of architectural satin finish stainless steel. Dispenses 800 multi-fold or 600 C-fold towels.

Rough wall opening 15½" W x 29⅛" H x 4" D.

-10 **Semi-Recessed** 2" (51 mm) in wall, projects 4⅞" (116 mm) from wall.



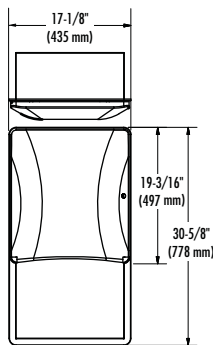
MODEL 2A01

Lever operated towel dispenser delivers preset length of towel (5½" (140 mm) per stroke). Towel dispenser capacity is one standard core 8" (203 mm) W x 8" (203 mm) diameter standard roll paper towels.

Rough wall opening 15½" W x 29⅛" H x 9¾" D.

-10 **Semi-Recessed** 4" (102 mm) in wall, projects 8½" (216 mm) from wall.

-11 **Surface-Mounted** projects 12½" (318 mm) from wall.



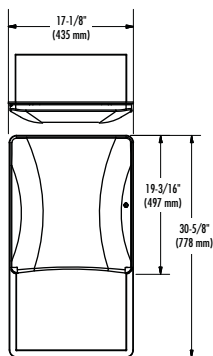
MODEL 2A02

Sensor-activated roll paper towel dispenser delivers 10" (254 mm) per operation. Towel dispenser capacity is one standard core 8" (203 mm) W x 8" (203 mm) diameter standard roll paper towels.

Rough wall opening 15½" W x 29⅛" H x 9¾" D.

-10 **Semi-Recessed** 4" (102 mm) in wall, projects 8½" (216 mm) from wall.

-11 **Surface-Mounted** projects 13¼" (337 mm) from wall.



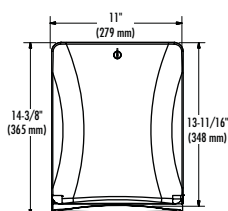
MODEL 2A09

Designed with unique dual-curve geometry. Constructed of architectural satin finish stainless steel. **Designed for field installation of customer-provided towel dispenser.** Suggested use with 2496 and 2497.

Rough wall opening 15½" W x 29⅛" H x 9¾" D.

-10 **Semi-Recessed** 4" (102 mm) in wall, projects 8½" (216 mm) from wall.

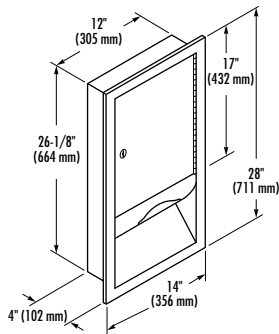
-11 **Surface-Mounted** projects 13¼" (337 mm) from wall.



BX MODEL 2A10-11

Designed with unique dual-curve geometry. Constructed of architectural satin finish stainless steel. Surface-mounted, paper towel dispenser. Dispenses 800 multi-fold or 600 C-fold towels.

Unit measures 11" W x 14⅜" H x 5¼" D.



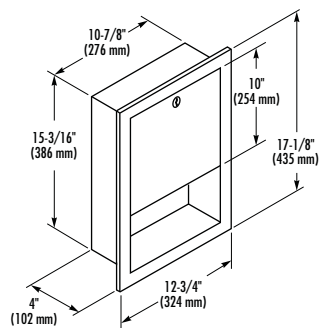
MODEL 244

Constructed of architectural satin finish stainless steel. Dispenses 800 multi-fold or 600 C-fold towels.

Rough wall opening $12\frac{1}{2}$ " W x $26\frac{5}{8}$ " H x 4" D.

-10 **Semi-Recessed** 2" (51 mm) in wall, projects 2" (51 mm) from wall.

-11 **Surface-Mounted** projects 4" (102 mm) from wall.



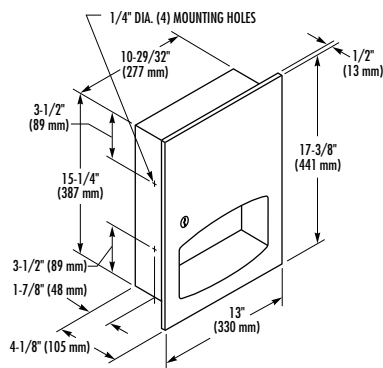
BX MODEL 2441

Constructed of architectural satin finish stainless steel. Dispenses 475 multi-fold or 350 C-fold towels.

Rough wall opening $11\frac{3}{8}$ " W x $15\frac{11}{16}$ " H x 4" D.

-10 **Semi-Recessed** 2" (51 mm) in wall, projects 2" (51 mm) from wall.

-11 **Surface-Mounted** projects 4" (102 mm) from wall.



BX MODEL 2442

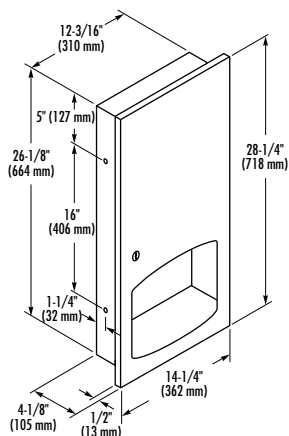
CONTEMPORARY SERIES

Constructed of architectural satin finish stainless steel. Dispenses 400 multi-fold or 300 C-fold towels.

Rough wall opening $11\frac{13}{32}$ " W x $15\frac{3}{4}$ " H x 4" D.

-10 **Semi-Recessed** $2\frac{1}{8}$ " (54 mm) in wall, projects 2" (51 mm) from wall.

-11 **Surface-Mounted** projects $4\frac{1}{8}$ " (105 mm) from wall.



MODEL 2447

CONTEMPORARY SERIES

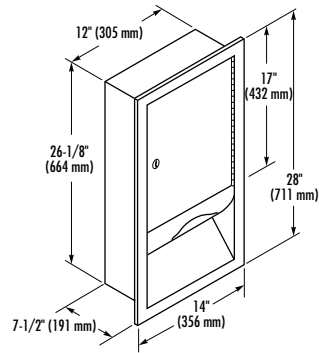
Constructed of architectural satin finish stainless steel. Dispenses 800 multi-fold or 500 C-fold towels.

Rough wall opening $12\frac{11}{16}$ " W x $26\frac{5}{8}$ " H x 4" D.

-10 **Semi-Recessed** $1\frac{5}{8}$ " (41 mm) in wall, projects $2\frac{1}{2}$ " (64 mm) from wall.

-11 **Surface-Mounted** projects $4\frac{1}{8}$ " (105 mm) from wall.





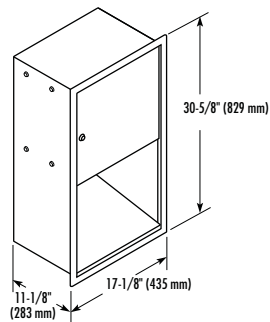
MODEL 247

Constructed of architectural satin finish stainless steel. Dispenses single-fold, 800 multi-fold or 500 C-fold towels.

Rough wall opening $12\frac{1}{2}$ " W x $26\frac{5}{8}$ " H x $7\frac{1}{2}$ " D.

-10 **Semi-Recessed** $3\frac{1}{2}$ " (89 mm) in wall, projects 4" (102 mm) from wall.

-11 **Surface-Mounted** projects $7\frac{1}{2}$ " (191 mm) from wall.

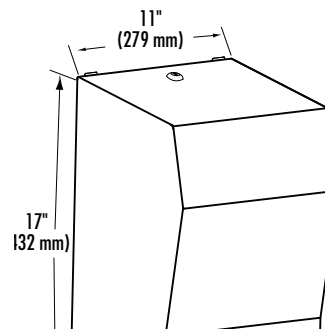


MODEL 2479

Constructed of architectural satin finish stainless steel. Dispenses one standard core center pull towel roll up to 9" x 9" (229 mm x 229 mm) diameter.

Rough wall opening $15\frac{3}{16}$ " W x $28\frac{3}{4}$ " H x $11\frac{1}{8}$ " D.

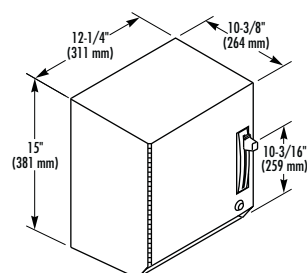
-10 **Semi-Recessed** $3\frac{1}{2}$ " (89 mm) in wall, projects 8" (203 mm) from wall.



MODEL 2482-11

Constructed of architectural satin finish stainless steel. Surface-mounted, roll paper towel dispenser. Push-bar operated. Baked-enamel towel dispenser mechanism. Unit dispenses non-perforated roll towels up to 8" (203 mm) in diameter and 8" (203 mm) wide with core sizes from $1\frac{1}{2}$ " (38 mm) to 2" (51 mm).

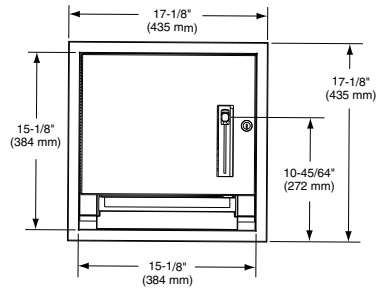
Unit measures 11" W x 17" H x $10\frac{1}{2}$ " D.



BX MODEL 2483

Constructed of architectural satin finish stainless steel. Surface-mounted, roll paper towel dispenser. Lever operated. Dispenses one standard core 8" (203 mm) or 9" (229 mm) wide x 800' (243.9 M) long paper towel roll.

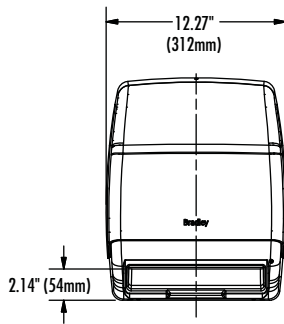
Unit measures $12\frac{1}{4}$ " W x 15" H x $10\frac{3}{8}$ " D.



MODEL 2484

Recessed or semi-recessed towel dispenser constructed of stainless steel with exposed surfaces in satin finish. Cabinet door secured with full length piano hinge and tumbler lock. Towel dispenser operated with less than 5 lb (2.3 Kg) of force. Dispenses one standard core 8" (203 mm) or 9" (229 mm) wide x 800' (243.9 M) long paper towel roll.

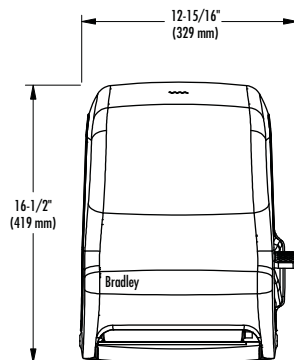
Unit measures 17 $\frac{1}{8}$ " W x 17 $\frac{1}{8}$ " H x 10 $\frac{1}{2}$ " D.



BX MODEL 2494

Constructed of high impact material. Door is translucent, and fabricated from durable high-impact plastic. Dispenses non-perforated roll towels up to 8" (203 mm) in diameter and 8" (203 mm) wide with core sizes from 1 $\frac{1}{2}$ " (38 mm) to 2" (51 mm). Dispenser also allows for 3" (76 mm) diameter stub roll. Operates with 4 "D" size alkaline batteries. Batteries are not included. Automatic transfer system will integrate stub roll when the primary is nearly depleted. Low battery indicator. Sheet is fully protected until dispensed. The transfer system, roll holders and door are field replaceable. Complies with FCC regulation on EMC.

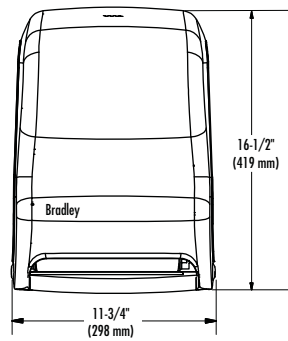
Unit measures 12 $\frac{7}{16}$ " W x 15 $\frac{3}{4}$ " H x 9 $\frac{1}{2}$ " D.



MODEL 2495

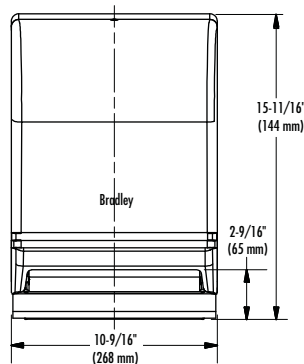
Constructed of high-impact plastic. Black translucent cover with speckled gray base. Black plastic handle is treated with Bio-Pruf® to inhibit bacteria growth. Dispenses one 8" (203 mm) wide paper towel roll and one 4" (102 mm) partial (stub) roll. 1 $\frac{1}{2}$ " (38 mm) core diameter. Lever-operated dispensing mechanism will provide an adjustable means to dispense a nominal 5" (127 mm), 4" (102 mm) or 2 $\frac{1}{2}$ " (64 mm) of toweling per lever stroke. Toweling will only be dispensed with the downward stroke of the lever.

Unit measures 12 $\frac{15}{16}$ " W x 16 $\frac{1}{2}$ " H x 9 $\frac{1}{4}$ " D.


BX MODEL 2496

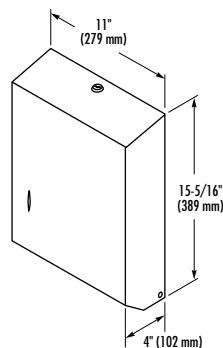
Constructed of high impact material. Door is translucent, and fabricated from durable high-impact plastic. Dispenses non-perforated roll towels up to 8½" (216 mm) in diameter and 8" (203 mm) wide with core sizes from 1½" (38 mm) to 2" (51 mm). Dispenser also allows for 4" (102 mm) diameter stub roll. A 10" (254 mm) towel will be dispensed every time the sensor is activated. Operates with 4 "D" size alkaline batteries (not included). Automatic transfer system will integrate stub roll when the primary is nearly depleted. A flashing red indicator light indicates that batteries need to be replaced.

Unit measures 11¾" W x 16½" H x 9¼" D.


BX MODEL 2497

Constructed of high-impact plastic. Fiberglass-reinforced ABS plastic push lever. Dispenses non-perforated paper towels from 8" (203 mm) wide roll with core sizes from 1½" (38 mm) to 2" (51 mm) diameter. Dispenser also allows for 4" (102 mm) diameter stub roll. The push lever dispensing mechanism delivers 5½" (140 mm) of toweling with each stroke.

Unit measures 10⅞" W x 15⅙" H x 8⅝" D.


BX MODEL 250-15

Constructed of architectural satin finish stainless steel. Surface-mounted, paper towel dispenser. Dispenses 525 multi-fold or 400 C-fold towels. Tumbler lock and bottom hinged. Refill indicator on cabinet face.

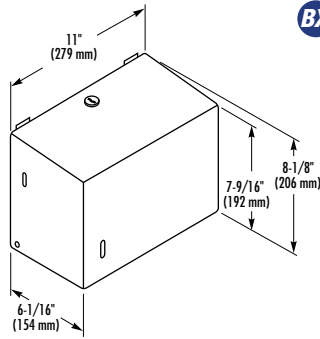
Unit measures 11" W x 15⅝" H x 4" D.

-33 White Enamel Finish

-1578 Bright Polish Finish

-250W-15 Frequency Towel Dispenser



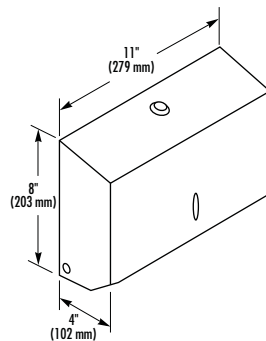


BX **MODEL 251-15**

Constructed of architectural satin finish stainless steel. Surface-mounted, paper towel dispenser. Dispenses 400 single-fold towels. Tumbler lock and bottom hinged. Refill indicator on cabinet face.

Unit measures 11" W x 8¹/₈" H x 6¹/₁₆" D.

-33 White Enamel Finish

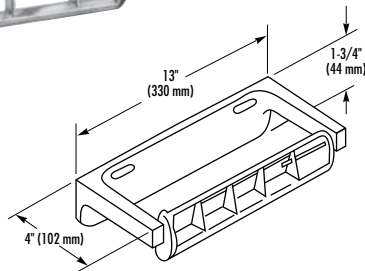
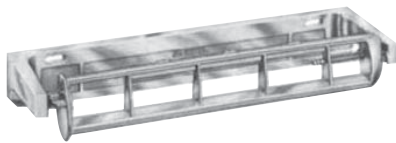


BX **MODEL 252**

Constructed of architectural satin finish stainless steel. Surface-mounted, paper towel dispenser. Dispenses 350 multi-fold or 200 C-fold towels. Cabinet secured with tumbler lock and hinges at bottom. Refill indicator on cabinet face.

Unit measures 11" W x 8" H x 4" D.

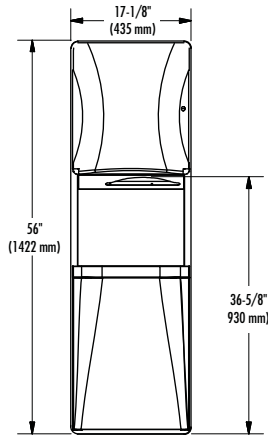
-78 Bright Polish Finish



MODEL 259

Surface-mounted, roll paper towel dispenser. Constructed of die-cast aluminum. Controlled delivery mechanism. Spring allows spindle to be released for filling. Holds one standard core roll paper towels to 6" (152 mm) diameter x 11" (279 mm) wide.

Unit measures 13" W x 1³/₄" H x 4" D.



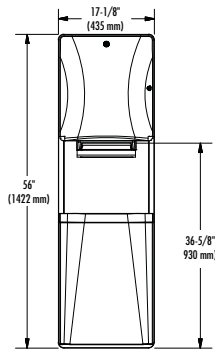
BX MODEL 2A05

Designed with unique dual-curve geometry. Constructed of architectural satin finish stainless steel. Dispenses 800 multi-fold and 600 C-fold paper towels. 12 gal (45.4 L), stainless steel waste receptacle.

Rough wall opening 15³/₄" W x 54¹/₂" H x 4" D.

-10 **Semi-Recessed** 2" (51 mm) in wall, projects 6¹/₁₆" (170 mm) from wall.

-11 **Surface-Mounted** projects 8¹/₁₆" (221 mm) from wall.



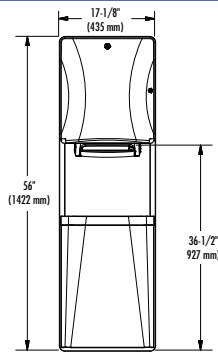
MODEL 2A15-36

Lever operated towel dispenser delivers preset length of towel (5¹/₂" (140 mm) per stroke). Towel dispenser capacity is one standard core 8" (203 mm) W x 8" (203 mm) diameter standard roll paper towels. 21 gal (79.5 L) stainless steel waste receptacle.

Rough wall opening 15⁵/₈" W x 54⁵/₈" H x 9⁷/₈" D.

-1036 **Semi-Recessed** 4" (102 mm) in wall, projects 10¹¹/₁₆" (271 mm) from wall.

-1136 **Surface-Mounted** projects 14¹¹/₁₆" (373 mm) from wall.



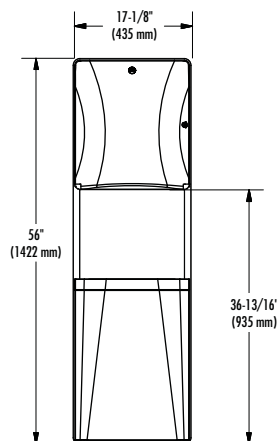
MODEL 2A25-36

Sensor-activated roll paper towel dispenser delivers 10" (254 mm) per operation. Towel dispenser capacity is one standard core 8" (203 mm) W x 8" (203 mm) diameter standard roll paper towels. 21 gal (79.5 L) stainless steel waste receptacle.

Rough wall opening 15⁵/₈" W x 54⁵/₈" H x 9⁷/₈" D.

-1036 **Semi-Recessed** 4" (102 mm) in wall, projects 10¹¹/₁₆" (271 mm) from wall.

-1136 **Surface-Mounted** projects 14¹¹/₁₆" (373 mm) from wall.



MODEL 2A95-36

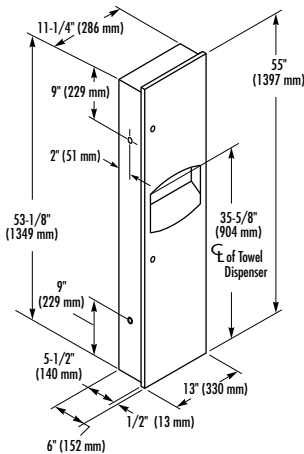
Designed with unique dual-curve geometry. Constructed of architectural satin finish stainless steel. **Designed for field installation of customer-provided towel dispenser.** Suggested use with 2494, 2496, and 2497. 21 gal (79.5 L) stainless steel waste receptacle.

Rough wall opening 15⁵/₈" W x 54⁵/₈" H x 9⁷/₈" D.

-1036 **Semi-Recessed** 3¹/₂" (89 mm) in wall, projects 9⁵/₁₆" (237 mm) from wall.

-1136 **Surface-Mounted** projects 12¹³/₁₆" (325 mm) from wall.





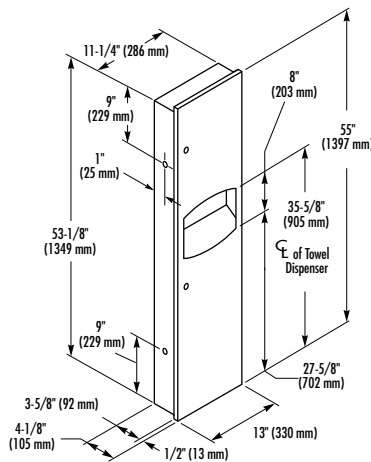
BX MODEL 2017 CONTEMPORARY SERIES

Constructed of architectural satin finish stainless steel. Dispenses 1,100 single-fold, 800 multi-fold or 600 C-fold towels. Waste receptacle has push-flap door and 4.9 gal (18.5 L), removable, molded-plastic insert.

Rough wall opening $11\frac{3}{4}$ " W x $53\frac{5}{8}$ " H x $5\frac{3}{4}$ " D.

BX -10 **Semi-Recessed** $3\frac{1}{2}$ " (89 mm) in wall, projects $2\frac{1}{2}$ " (64 mm) from wall.

-11 **Surface-Mounted** projects 6" (152 mm) from wall.



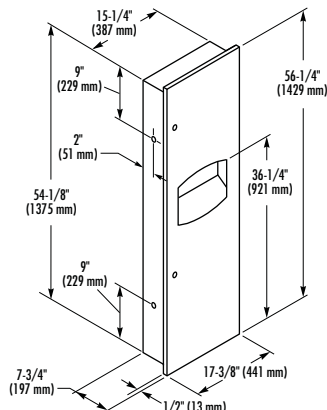
BX MODEL 2027 CONTEMPORARY SERIES

Constructed of architectural satin finish stainless steel. Dispenses 800 multi-fold or 600 C-fold towels. Waste receptacle has 3.3 gal (12.5 L), removable, molded-plastic insert.

Rough wall opening $11\frac{3}{4}$ " W x $53\frac{5}{8}$ " H x $3\frac{3}{4}$ " D.

-10 **Semi-Recessed** $2\frac{3}{8}$ " (60 mm) in wall, projects 2" (51 mm) from wall.

-11 **Surface-Mounted** projects $4\frac{3}{8}$ " (111 mm) from wall.



MODEL 2037 CONTEMPORARY SERIES

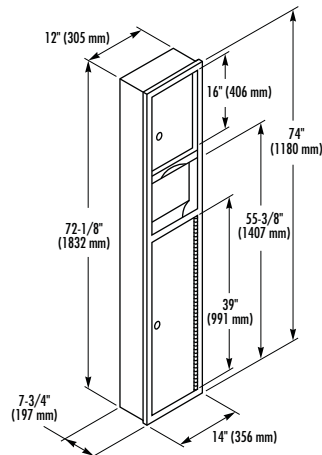
Constructed of architectural satin finish stainless steel. Dispenses 1,100 single-fold, 800 multi-fold or 600 C-fold towels. Waste receptacle has 11.2 gal (42.4 L), removable, molded-plastic insert.

Rough wall opening $15\frac{3}{4}$ " W x $54\frac{5}{8}$ " H x $7\frac{1}{2}$ " D.

-10 **Semi-Recessed** $3\frac{3}{4}$ " (95 mm) in wall, projects 4" (102 mm) from wall.

-11 **Surface-Mounted** projects $7\frac{3}{4}$ " (197 mm) from wall.





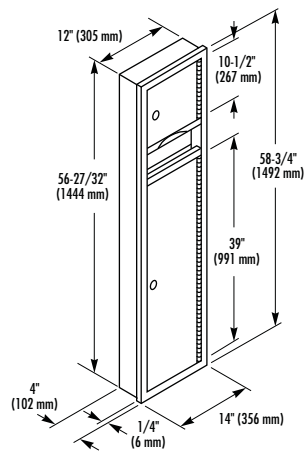
MODEL 225

Constructed of architectural satin finish stainless steel. Adjustable towel guide dispenses 1,000 single-fold, 800 multi-fold or 600 C-fold towels. Waste receptacle has 9.2 gal (34.8 L), removable, leak-proof, molded-plastic insert.

Rough wall opening 12½" W x 72¾" H x 7¾" D.

-10 **Semi-Recessed** 3½" (89 mm) in wall, projects 4" (102 mm) from wall.

-11 **Surface-Mounted** projects 7½" (191 mm) from wall.



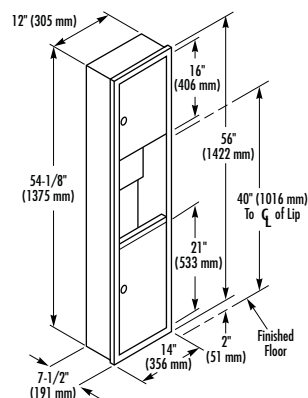
MODEL 2251

Constructed of architectural satin finish stainless steel. Dispenses 450 multi-fold or 250 C-fold towels. Waste receptacle has 5.3 gal (20.1 L), removable, molded-plastic insert.

Rough wall opening 12½" W x 57½" H x 4" D.

-10 **Semi-Recessed** 2" (51 mm) in wall, projects 2" (51 mm) from wall.

-11 **Surface-Mounted** projects 4" (102 mm) from wall.



MODEL 2252

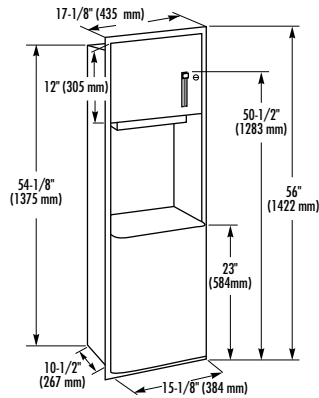
Constructed of architectural satin finish stainless steel. Adjustable towel guide dispenses 1,000 single-fold, 700 multi-fold or 400 C-fold towels. Waste receptacle has 4.9 gal (18.5 L), removable, leak-proof, molded-plastic insert.

Rough wall opening 12½" W x 54⅝" H x 7½" D.

-10 **Semi Recessed** 3½" (89 mm) in wall, projects 4" (102 mm) from wall.

-11 **Surface Mounted** projects 7½" (191 mm) from wall.





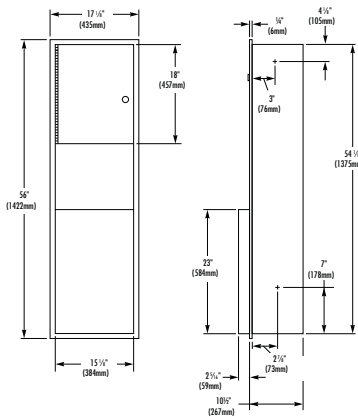
MODEL 227

Constructed of architectural satin finish stainless steel. Towel dispenser capacity is one standard core 8" (203 mm) or 9" (229 mm) wide x 800' (243.9 M) long paper towel roll. Waste receptacle is 18 gal (68.1 L) removable stainless steel.

Rough wall opening 15⁵/₈" W x 54⁵/₈" H x 10¹/₂" D.

-10 **Semi-Recessed** 3¹/₂" (89 mm) in wall, projects 9⁵/₁₆" (237 mm) from wall.

-11 **Surface-Mounted** projects 12¹³/₁₆" (325 mm) from wall.



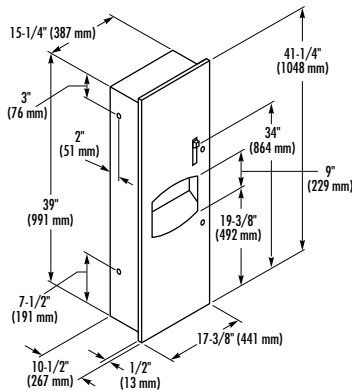
MODEL 2271 Unit without Roll Towel Mechanism

Designed for field installation of customer-provided towel dispenser. Suggested use with 2494, 2496 or 2497.

Rough wall opening 15⁵/₈" W x 54⁵/₈" H x 10¹/₂" D.

-10 **Semi Recessed** 3¹/₂" (89 mm) in wall, projects 9⁵/₁₆" (237 mm) from wall.

-11 **Surface Mounted** projects 12¹³/₁₆" (325 mm) from wall.



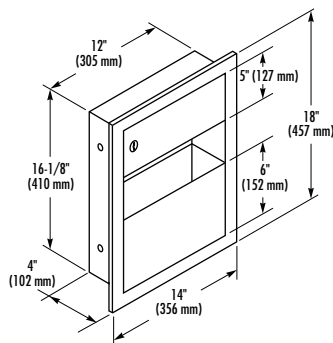
BX MODEL 2277 CONTEMPORARY SERIES

Constructed of architectural satin finish stainless steel. Dispenses one standard core roll 8" (203 mm) or 9" (229 mm) wide x 800' (243.9 M) long paper towel roll. Waste receptacle has 10.5 gal (37.7 L), removable, molded-plastic insert.

Rough wall opening 15³/₄" W x 39¹/₂" H x 10¹/₄" D.

-10 **Semi-Recessed** 3¹/₂" (89 mm) in wall, projects 7" (178 mm) from wall.

-11 **Surface-Mounted** projects 10¹/₂" (267 mm) from wall.



MODEL 229

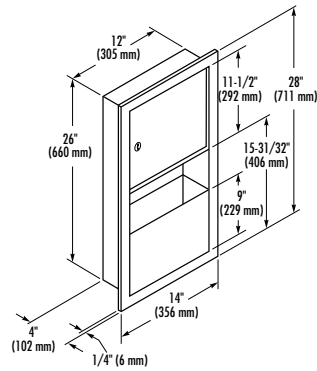
Constructed of architectural satin finish stainless steel. Dispenses 200 multi-fold or 100 C-fold towels. Waste receptacle has 1.25 gal (4.7L), removable, stainless steel insert.

Rough wall opening 12¹/₂" W x 16¹/₂" H x 4" D.

-10 **Semi-Recessed** 2" (51 mm) in wall, projects 2" (51 mm) from wall.

-11 **Surface-Mounted** projects 4" (102 mm) from wall.



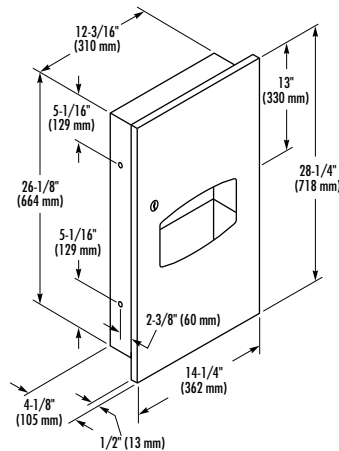
**BX** **MODEL 2291**

Constructed of architectural satin finish stainless steel. Dispenses 475 multi-fold or 350 C-fold towels. Waste receptacle has 2 gal (7.6 L), removable, stainless steel insert.

Rough wall opening $12\frac{1}{2}$ " W x $26\frac{1}{2}$ " H x 4" D.

-10 **Semi-Recessed** 2" (51 mm) in wall, projects 2" (51 mm) from wall.

BX -11 **Surface-Mounted** projects 4" (102 mm) from wall.

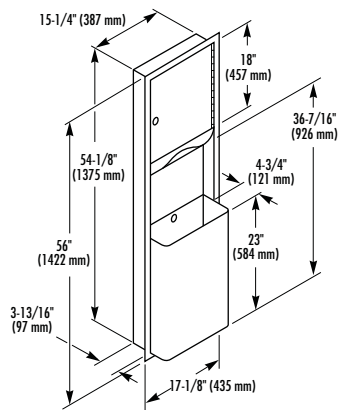
**BX** **MODEL 2297** **CONTEMPORARY SERIES**

Constructed of architectural satin finish stainless steel. Dispenses 475 multi-fold or 350 C-fold towels. Waste receptacle has 1.7 gal (6.4 L), removable, molded-plastic insert.

Rough wall opening $12\frac{11}{16}$ " W x $26\frac{5}{8}$ " H x 4" D.

-10 **Semi-Recessed** $1\frac{5}{8}$ " (41 mm) in wall, projects $2\frac{1}{2}$ " (64 mm) from wall.

-11 **Surface-Mounted** projects $4\frac{1}{8}$ " (105 mm) from wall.

**BX** **MODEL 234**

Constructed of architectural satin finish stainless steel. Dispenses 800 multi-fold or 600 C-fold towels. 12 gal (45.4 L), stainless steel waste receptacle is secured with tumbler lock.

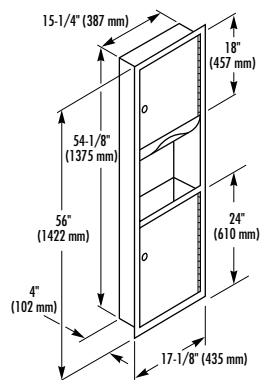
Rough wall opening $15\frac{3}{4}$ " W x $54\frac{1}{2}$ " H x 4" D.

MODEL 234-35 Hinged Cover

MODEL 234-65 Push-Flap Door Unit

BX -10 **Semi-Recessed** 2" (51 mm) in wall, projects $6\frac{3}{4}$ " (171 mm) from wall.

BX -11 **Surface-Mounted** projects $8\frac{3}{4}$ " (222 mm) from wall.

**BX** **MODEL 235**

Constructed of architectural satin finish stainless steel. Dispenses 800 multi-fold or 500 C-fold towels. Waste receptacle has 4.9 gal (18.5 L), removable, leak-proof, molded-plastic insert.

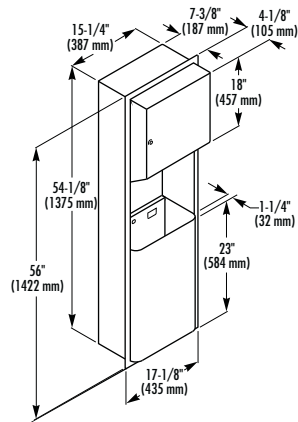
Rough wall opening $15\frac{3}{4}$ " W x $54\frac{5}{8}$ " H x 4" D.

-10 **Semi-Recessed** 2" (51 mm) in wall, projects 2" (51 mm) from wall.

-11 **Surface-Mounted** projects 4" (102 mm) from wall.



TOWELS & WASTE COMBINATION UNITS



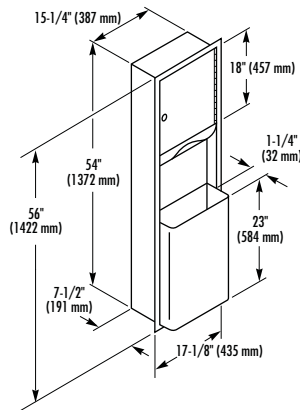
MODEL 236

Constructed of architectural satin finish stainless steel. Dispenses one standard center-pull towel roll up to 9" (229 mm) wide x 9" (229 mm) diameter. 12 gal (45.4 L), stainless steel waste receptacle.

Rough wall opening 15³/₄" W x 54¹/₂" H x 7¹/₂" D.

-10 **Semi-Recessed** 3⁵/₈" (92 mm) in wall, projects 7⁷/₈" (200 mm) from wall.

-11 **Surface-Mounted** projects 11¹/₂" (292 mm) from wall.



MODEL 237

Constructed of architectural satin finish stainless steel. Dispenses 1,100 single-fold, 800 multi-fold or 600 C-fold towels. 12 gal (45.4 L), stainless steel waste receptacle.

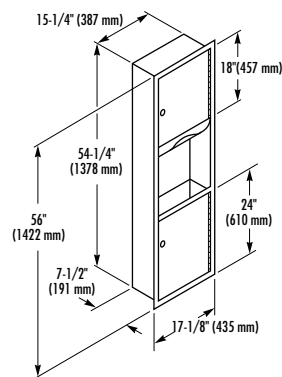
MODEL 237-35 Hinged Cover

MODEL 237-65 Push-Flap Door Unit

Rough wall opening 15³/₄" W x 54¹/₂" H x 7¹/₂" D.

-10 **Semi-Recessed** 3¹/₂" (89 mm) in wall, projects 4" (102 mm) from wall.

-11 **Surface-Mounted** Projects 7¹/₂" (191 mm) from wall.



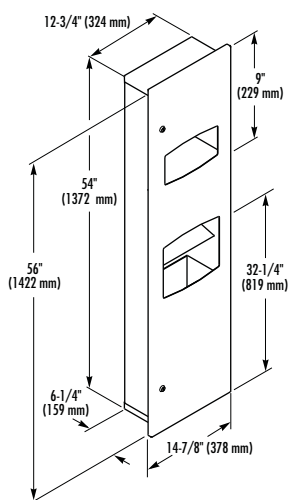
MODEL 238

Constructed of architectural satin finish stainless steel. Dispenses 1,100 single-fold, 800 multi-fold or 600 C-fold towels. 8.2 gal (31 L) waste receptacle, removable, leak-proof, molded-plastic insert.

Rough wall opening 15³/₄" W x 54³/₄" H x 7¹/₂" D.

-10 **Semi-Recessed** 3¹/₂" (89 mm) in wall, projects 4" (102 mm) from wall.

-11 **Surface-Mounted** Projects 7¹/₂" (191 mm) from wall.



MODEL 270

Convenient, space-saving 3-in-1 unit

3-in-1 towel dispenser, hand dryer and waste receptacle. Constructed of architectural satin finish stainless steel. Recessed towel dispenser holds 710 single-fold, 500 multi-fold or 370 C-fold paper towels. Waste receptacle has 4.37 gal (16.5 L) capacity. Hand dryer has sensor activation with universal voltage.

Rough wall opening 13" W x 54¹/₄" H x 5¹/₂" D.

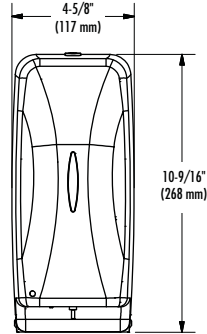
Unit measures 14⁷/₈" W x 56" H x 6¹/₄" D.

-10 **Semi-Recessed** 3¹/₂" (89 mm) in wall, projects 2³/₄" (70 mm) from wall.

-11 **Surface-Mounted** projects 6¹/₄" (159 mm) from wall.

-49 **For Export** CE certified.

Bradley Soap Dispensers are constructed of stainless steel with exposed surfaces in architectural satin finish. Units feature one-piece, stainless steel flange of welded construction with seamless corners, burr-free edges and 1/4" (6 mm) return to conceal minor wall irregularities. Tumbler locks keyed alike to companion Bradley units.



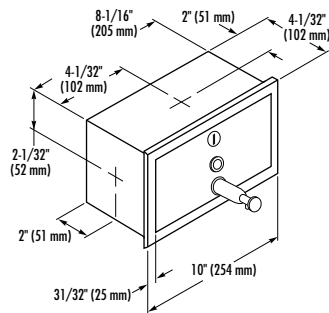
BX MODEL 6A00-11

Designed with unique dual-curve geometry. Constructed of architectural satin finish stainless steel. Surface-mounted, automatic, liquid soap dispenser with 27 oz (798 ml) capacity. Can also dispense hand sanitizer. Red light indicates low battery.

Unit measures 4⁵/₈" W x 10⁹/₁₆" H x 4³/₁₆" D.

MODEL 6A01-11 NEW! Foam soap dispenser with 27 oz (798 mL capacity).

RECESSED



MODEL 643

Recessed, horizontal, liquid soap dispenser. Stainless steel cabinet with plastic soap vessel. Buna-N check valves to prevent leaking. Slides open for filling. Holds 32 oz (946 ml) liquid soap. Sight gauge on dispenser. ADA compliant. Requires less than 5 lb (2.3 Kg) of force to operate.

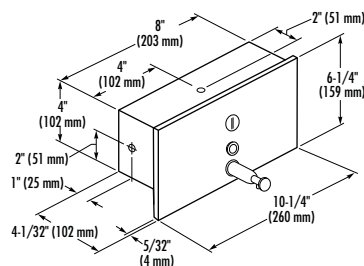
Rough wall opening 8¹/₂" W x 4¹/₂" H x 4" D.

MODEL 644 Vertically mounted unit with stainless steel soap vessel.

Rough wall opening 4¹/₂" W x 8¹/₂" H x 4" D.

MODEL 646 Vertically mounted unit with plastic soap vessel.

Rough wall opening 4¹/₂" W x 8¹/₂" H x 4" D.



MODEL 6437

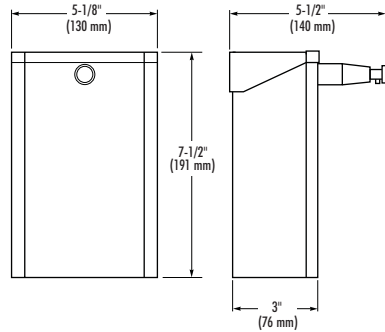
CONTEMPORARY SERIES

Recess-mounted liquid soap dispenser of satin-finish stainless steel. Plastic soap vessel holds 32 oz (946 ml) of liquid soap. Sight gauge on dispenser. ADA compliant. Requires less than 5 lb (2.3 Kg) of force to operate.

Rough wall opening 8¹/₂" W x 4¹/₂" H x 4" D.



SOAP DISPENSERS WALL MOUNTED



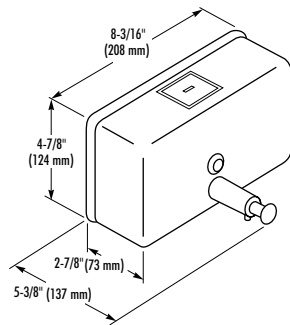
MODEL 6531

Stainless steel with architectural satin finish. Locked cover removes for filling. Holds 44 oz (1301 ml) liquid soap. Push-in-type valve delivers measured amount of liquid soap.

Unit measures 5 1/8" W x 7 1/2" H x 3" D.



SURFACE-MOUNTED

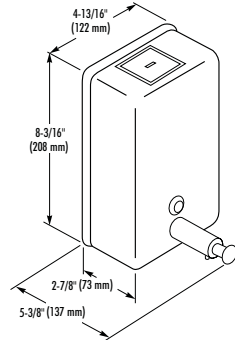


BX MODEL 6542 Horizontal

Liquid, tank-type soap dispenser of satin finish stainless steel. Holds 40 oz (1183 ml) liquid soap. Push-in-type valve. Concealed mounting. ADA compliant. Requires less than 5 lb (2.3 Kg) of force to operate.

Unit measures 8 3/16" W x 4 7/8" H x 2 7/8" D.

Valve projects 2 1/2" (64 mm) from wall.

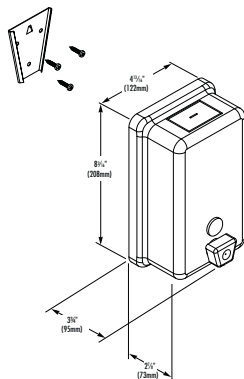


BX MODEL 6562 Vertical

Liquid, tank-type soap dispenser of satin finish stainless steel. Holds 40 oz (1183 ml) liquid soap. Push-in-type valve. Concealed mounting. ADA compliant. Requires less than 5 lb (2.3 Kg) of force to operate.

Unit measures 4 13/16" W x 8 3/16" H x 2 7/8" D.

Valve projects 2 1/2" (64 mm) from wall.



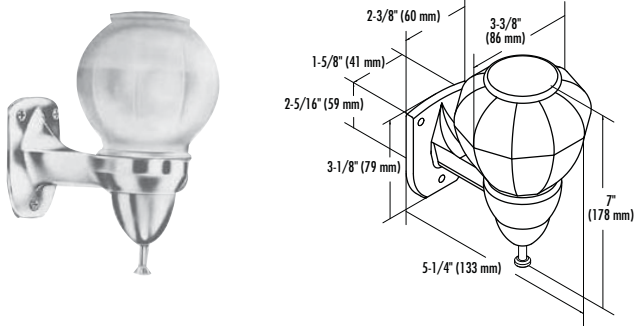
BX MODEL 6563 Vertical

Liquid, tank-type soap dispenser of stainless steel with black ABS plastic valve. Holds 40 oz (1183 ml) liquid soap. Push-in-type valve. Surface mounting. ADA compliant. Requires less than 5 lb (2.3 Kg) of force to operate. Ideal for higher end hospitality and other commercial restrooms.

Unit measures 4 13/16" W x 8 3/16" H x 2 7/8" D.

Valve projects 2 1/2" (64 mm) from wall.

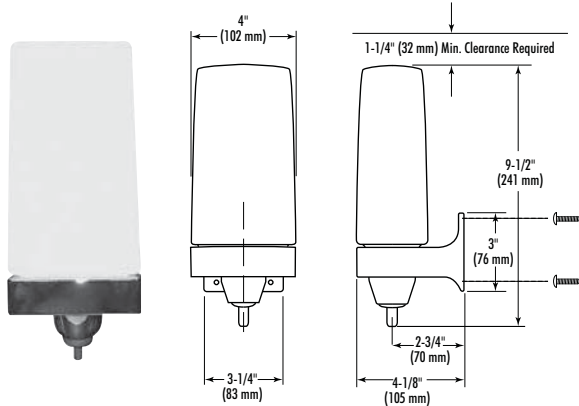


**MODEL 648**

Liquid soap dispenser features chrome-plated bracket, translucent polyethylene globe and push-up-type valve with corrosion-resistant components and vacuum-flow control. Holds 16 oz (473 ml) liquid soap. Swivels for filling.

Unit measures $3\frac{3}{8}$ " W x 7" H x $5\frac{1}{4}$ " D.

MODEL 6481 UNIT WITH NO SWIVEL (SHOWN)

**MODEL 650****BX MODEL 6501**

Liquid soap dispenser with push-up-type valve. Translucent polyethylene globe, chrome-plated ABS bracket. Valve is black ABS with stainless steel spring.

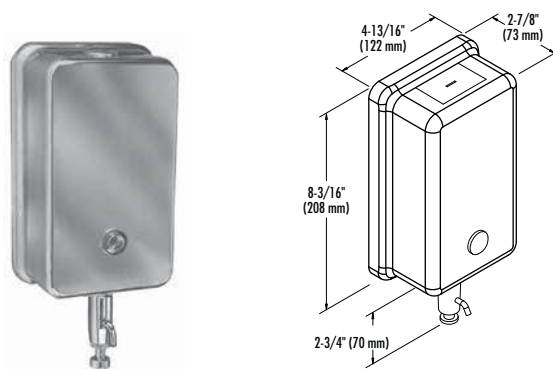
MODEL 650

Unit measures 4" W x $9\frac{1}{2}$ " H x $4\frac{1}{8}$ " D.

Holds 32 oz (946 ml) diagram shown.

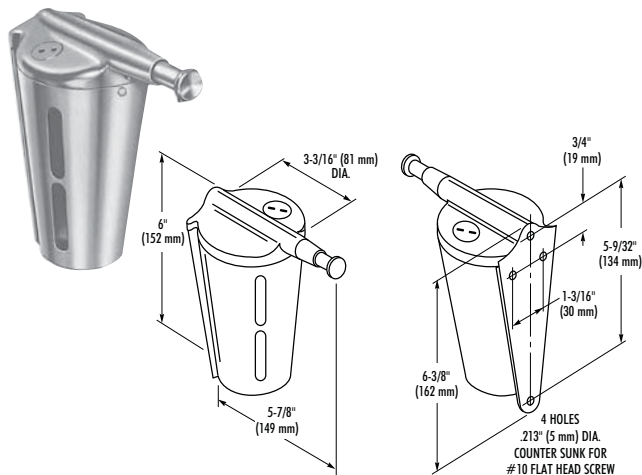
MODEL 6501

Unit measures 4" W x $7\frac{7}{8}$ " H x $4\frac{1}{8}$ " D. Holds 24 oz (710 ml).

**MODEL 655**

Liquid, tank-type soap dispenser with vertical valve. Fabricated of stainless steel with exposed surfaces in architectural satin finish. Holds 40 oz (1183 ml) liquid soap. ADA compliant. Requires less than 5 lb (2.3 kg) of force to operate.

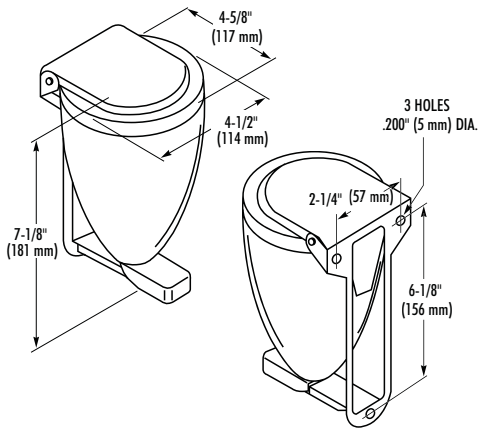
Unit measures $4\frac{13}{16}$ " W x $8\frac{3}{16}$ " H x $2\frac{7}{8}$ " D.

**MODEL 657**

Liquid soap dispenser. Chrome-plated brass with plastic container and chrome-plated plastic assembly. Holds 12 oz (355 ml) liquid soap. Concealed mounting.

Unit measures $3\frac{3}{16}$ " W x 6" H x $5\frac{7}{8}$ " D. (from wall to end of valve).

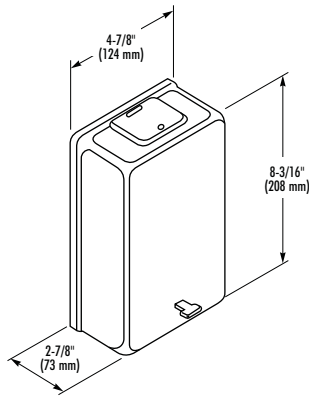
Valve projects $2\frac{11}{16}$ " (68 mm) from wall.



MODEL 658-30

Powdered soap dispenser of polished and satin finish stainless steel. Stainless push knob, springs and discharge mechanism. Holds 32 oz (946 ml) powdered soap. Locked top covers filler hole.

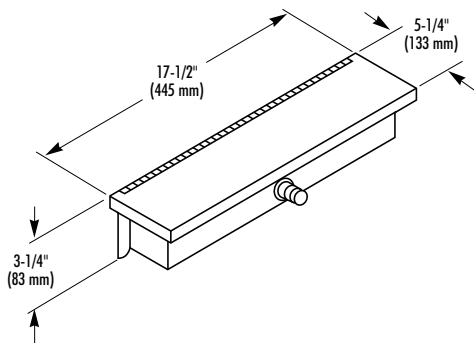
Unit measures 4½" W x 7⅛" H x 4⅝" D.



MODEL 6583

Powdered soap dispenser of satin finished stainless steel with chrome-plated brass valve. Holds 32 oz (946 ml) powdered soap. Locked top covers filler hole. Concealed mounting.

Unit measures 4⅞" W x 8⅜" H x 2⅞" D.



MODEL 661

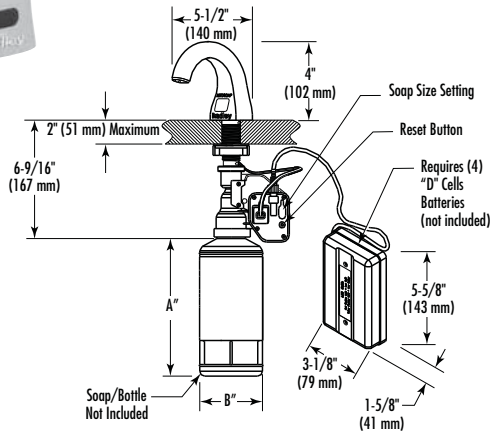
Shelf-type, liquid soap dispenser. Stainless steel with architectural satin finish. Chrome-plated brass and ABS valve. 80 oz (2366 ml) liquid soap reservoir. Vandal-resistant sight gauge. Hinged shelf with concealed latch raises for filling. ADA compliant. Requires less than 5 lb (2.3 Kg) of force to operate.

Unit measures 17½" W x 3¼" H x 5¼" D.

MODEL 662

Unit with two liquid soap valves to mount between two lavatories.





LAVATORY-MOUNTED

BX MODEL 6315-KT0000

(Soap Dispenser Starter Kit: 6315, 1 bottle of soap, 4 “D” size batteries.) Sensor-operated soap dispenser with 5½” (140 mm) spout length. ADA compliant. Reliable Infrared Metering Activation. LED light indicators for low battery and low soap refill. Spout fabricated of chrome-plated plastic. Requires 1” (25 mm) diameter hole in lavatory or countertop 1½” (38 mm) from edge of sink.

BX MODEL 6315 Soap Dispenser Only

AC ADAPTOR

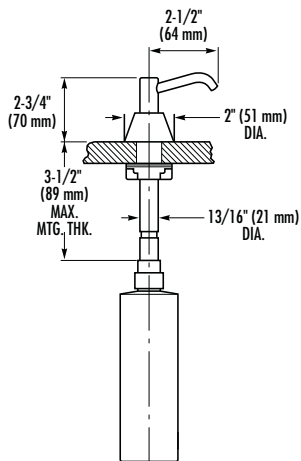
P19-231F Single soap dispenser adaptor

P19-231G Adaptor for up to 4 dispensers (need P19-231H for each dispenser)

P19-231H Wire assembly (to be used with P19-231G which requires 1 of these for each dispenser to be hooked up); up to 4 per P19-231G adaptor

P19-232A 2,000-shot non-refillable bottle

P19-232B 1,000-shot non-refillable bottle



MODEL 6322

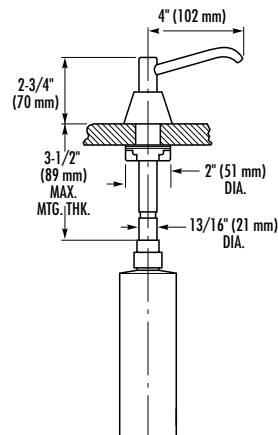
Liquid soap dispenser with 2½” (64 mm) spout length. Polyethylene container holds 16 oz (473 ml) liquid soap. Stainless steel plunger and spout. Special key provided. Requires 1” (25 mm) diameter mounting hole. Shank length 4¾” (121 mm) – can be shortened in field. ADA compliant. Requires less than 5 lb (2.3 Kg) of force to operate. Spout is fixed.

MODEL 6322-67

Unit with 16-oz (473 ml) stainless steel soap container.

MODEL 6322-68

Unit with 32-oz (946 ml) polyethylene soap container.



BX MODEL 6324

Liquid soap dispenser with 4” (102 mm) spout length and 4¾” (121 mm) shank. Polyethylene container holds 16 oz (473 mm) liquid soap. ADA compliant. Requires less than 5 lb (2.3 Kg) of force to operate. Spout is fixed.

MODEL 6324-67

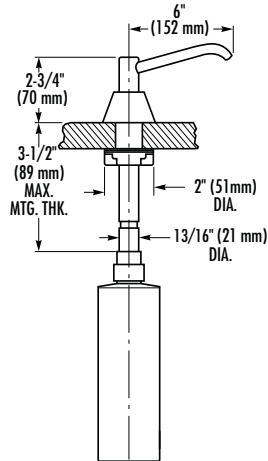
Unit with 16 oz (473 ml) stainless steel soap container.

BX MODEL 6324-68

Unit with 32 oz (946 ml) polyethylene soap container.



SOAP DISPENSERS DECK MOUNTED

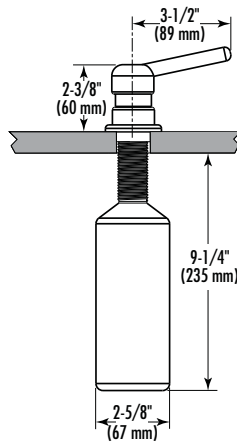


BX **MODEL 6326**

Liquid soap dispenser with 6" (152 mm) spout length. Polyethylene container holds 16 oz (473 ml) liquid soap. ADA compliant. Requires less than 5 lb (2.3 Kg) of force to operate. Spout is fixed.

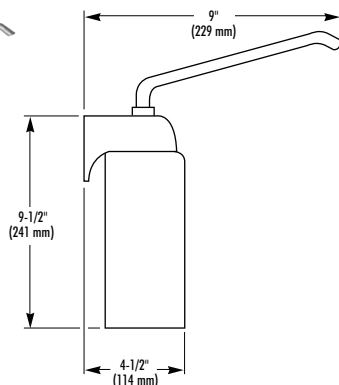
BX **MODEL 6326-67** Unit with 16 oz (473 ml) stainless steel soap container.

MODEL 6326-68 Unit with 32 oz (946 ml) polyethylene soap container.



MODEL 6334

Liquid soap dispenser with 3½" (89 mm) spout length. Polyethylene container holds 16 oz (473 ml) liquid soap. Chrome plated brass plunger and spout. Special key provided. Required 1¼" (32 mm) diameter hole in lavatory or countertop. ADA compliant. Requires less than 5 lb (2.3 Kg) of force to operate.



MODEL 6843

Foot-operated, medical soap dispenser. Housing of ABS plastic with stainless steel spout. Holds 32 oz (946 ml) and unscrews for filling. Foot pump of molded rubber with anti-slip base and 8' (2.4 M) vinyl tubing dispenses surgical liquid soaps, detergents and aseptic solutions with depression of pedal.

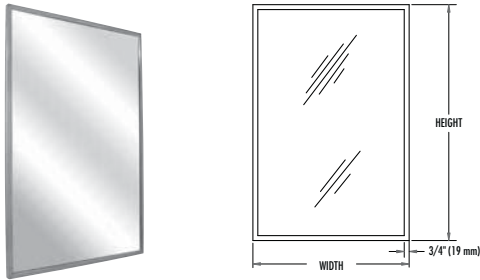
Unit measures 11½" H x 4½" D.

Spout projects 9" (229 mm) from wall.



Bradley Mirrors are made of first quality 1/4" (6 mm) float glass for a clean, contemporary look and an exclusive backing for long-lasting use. Guaranteed against silver spoilage for 15 years. Frames fabricated of stainless steel with theft-resistant mounting brackets. Angle Frame and Channel Frame Mirrors feature one-piece, roll-formed frames for strength. Frames guaranteed 15 years against corrosion. Choose Angle Frame style for welded, polished corners and Channel Frame style for neatly mitered corners.

Optional Features are listed on page 43.

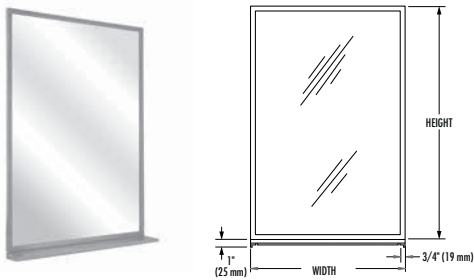


MODEL 780

Angle framed mirror. 3/4" x 3/4" (19 mm x 19 mm) satin finish, stainless steel angle frame with welded and polished corners. 1/4" (6 mm) thick glass. Wall hanger of 18-gauge steel provides theft-resistant mounting. Galvanized steel back plate with shock-absorbing, waterproof filler.

Standard or barrier-free applications.

BX See technical data for **Bradex** sizes.

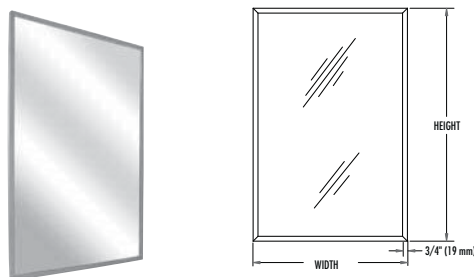


MODEL 7805

Angle framed mirror with shelf. 3/4" x 3/4" (19 mm x 19 mm) satin finish stainless steel angle frame with welded and polished corners. 1/4" (6 mm) thick glass. 5 1/2" (140 mm) W satin finish stainless steel shelf welded to frame. Shelf has flanged front and sides. Wall hanger of 18-gauge steel provides vandal- and theft-resistant mounting. Galvanized steel back plate with shock-absorbing, waterproof filler.

Standard or barrier-free applications.

BX See technical data for **Bradex** sizes.

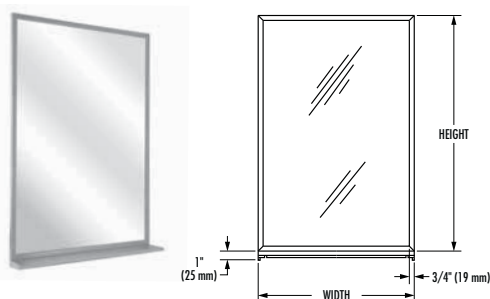


MODEL 781

Channel framed mirror. 3/4" x 3/4" x 7/16" (19 mm x 19 mm x 11 mm) channel frame of stainless steel with bright annealed finish. Neatly mitered corners. 1/4" (6 mm) thick glass. Wall hanger of 18-gauge steel provides vandal- and theft-resistant mounting. Galvanized steel back plate with shock-absorbing, waterproof filler.

Standard or barrier-free applications.

BX See technical data for **Bradex** sizes.



MODEL 7815

Channel-framed mirror with shelf. 3/4" x 3/4" x 7/16" (19 mm x 19 mm x 11 mm) frame of stainless steel with bright annealed finish. Neatly mitered corners. 1/4" (6 mm) thick glass. 5 1/2" (140 mm) W satin finish stainless steel shelf welded to frame. Wall hanger of 18-gauge steel provides vandal- and theft-resistant mounting. Galvanized steel back plate with shock-absorbing, waterproof filler.

Standard or barrier-free applications.

BX See technical data for **Bradex** sizes.



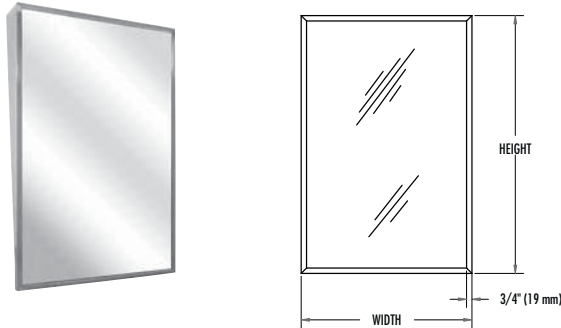
TILT MIRRORS

MODEL 740

Fixed-angle, tilt frame of satin finish stainless steel. $\frac{3}{4}$ " x $\frac{3}{4}$ " (19 mm x 19 mm) frame with welded and polished corners. $\frac{1}{4}$ " (6 mm) thick glass. Theft-resistant mounting bracket.

Standard or barrier-free applications.

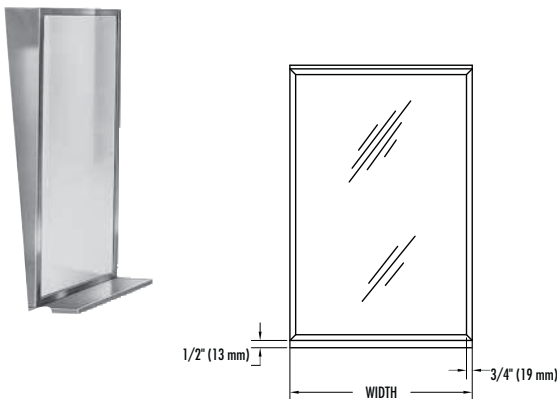
BX See technical data for projection from wall and BradEX® sizes.



MODEL 7405

Fixed-angle, tilt mirror with integral welded stainless steel shelf. $\frac{3}{4}$ " x $\frac{3}{4}$ " (19 mm x 19 mm) frame with welded and polished corners. $\frac{1}{4}$ " (6 mm) thick glass. Shelf is $5\frac{1}{2}$ " (140 mm) W, welded to frame, flanged front and sides with welded, polished corners. Theft-resistant mounting bracket.

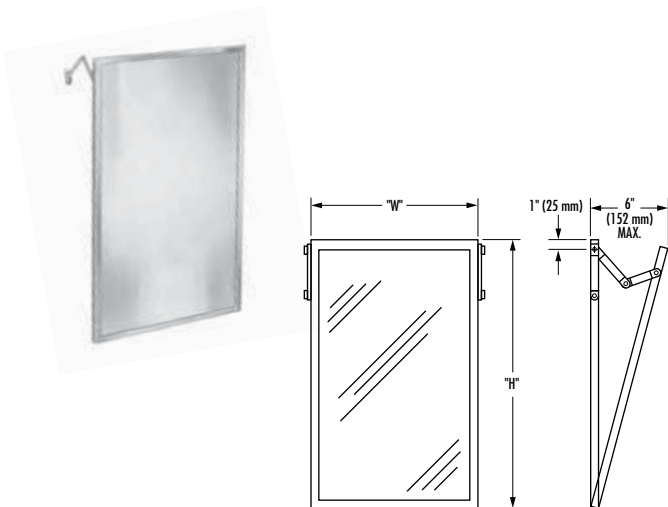
Standard or barrier-free applications.

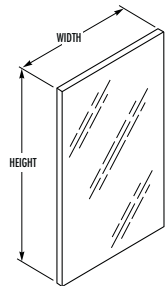


MODEL 782

Adjustable tilt mirror. $\frac{3}{4}$ " x $\frac{3}{4}$ " (19 mm x 19 mm) frame is bottom hinged and has welded, polished corners. $\frac{1}{4}$ " (6 mm) thick glass. Two friction elbow hinges on top allow unit to tilt up to maximum 6" (152 mm) from wall. Standard projection is 4" (102 mm).

Standard or barrier-free applications.

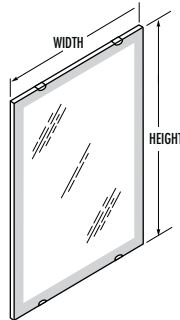


FRAMELESS MIRRORS**MODEL 747**

Frameless 1/4" (6 mm) thick glass mirror. Metal clip fasteners. Only available in standard glass.

Standard or barrier-free applications.

BX See technical data for BradEX® sizes.

**MODEL 747F**

Frosted, frameless mirror with first quality 1/4" (6 mm) thick glass mirror. Metal clip fasteners. Only available in standard glass.

–S Solid Acid-Etched Border

–P Plaid Acid-Etched Border

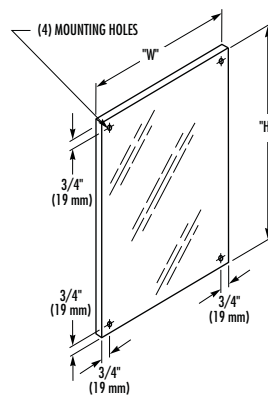
UNBREAKABLE STAINLESS STEEL MIRROR**MODEL 748**

Unframed mirror of stainless steel polished to No. 8 architectural bright finish. Mirror has 1/4" (6 mm) return to conceal 1/4" (6 mm) tempered Masonite backing. Fastens with tamper-resistant screws.

Standard or barrier-free applications.

MODEL 7481 In bright annealed stainless steel.

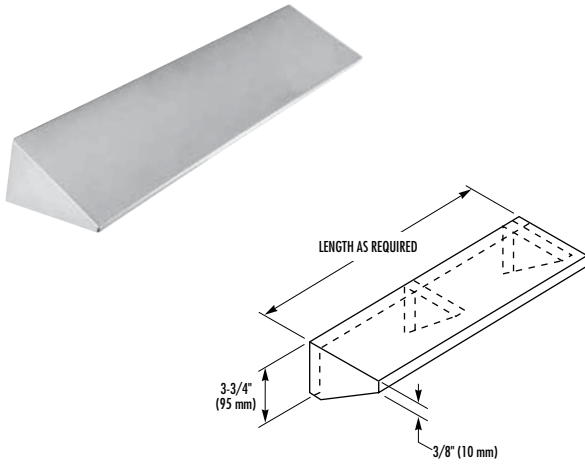
Standard or barrier-free applications.

**OPTIONAL FEATURES** - Options available on select Bradley models.

| FEATURES | ADD SUFFIX |
|--|------------|
| 1/4" (6mm) Tempered glass mirror | – 2 |
| Laminated glass mirror | – 3 |
| 300 Series stainless steel polished to a No. 8 architectural-grade finish in lieu of glass | – 4 |
| 400 Series bright annealed stainless steel in lieu of glass | – 5 |
| Plexiglass mirror | – 6 |

Note: Tempered, laminated, plexiglass and stainless steel provide extra security from broken glass but may differ in color and reflectivity from standard mirrors.

STAINLESS STEEL SHELVES



Surface-mounted shelves fabricated of stainless steel with exposed surfaces in architectural satin finish.

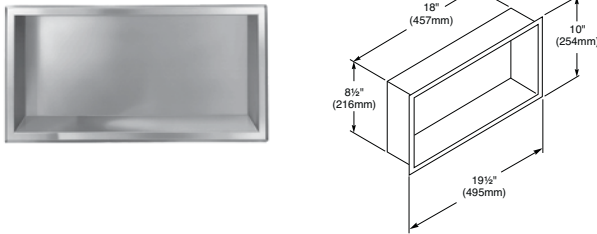
MODEL 755 5" (127 mm) Width

BX -18 18" (457 mm) Length

MODEL 756 6" (152 mm) Width

MODEL 758 8" (203 mm) Width

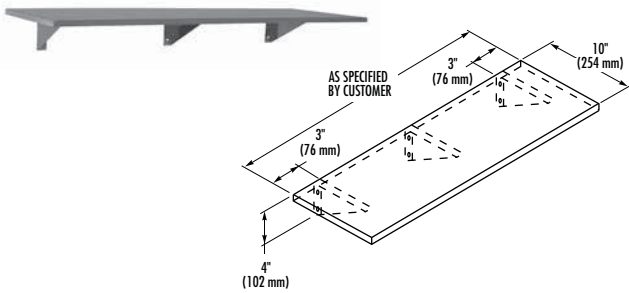
BX -24 24" (610 mm) Length



MODEL 760

Recessed shelf shall be fabricated of 22 gauge stainless steel with exposed surfaces in satin finish.

Unit measures 19 1/2" W x 10" H x 4" D.

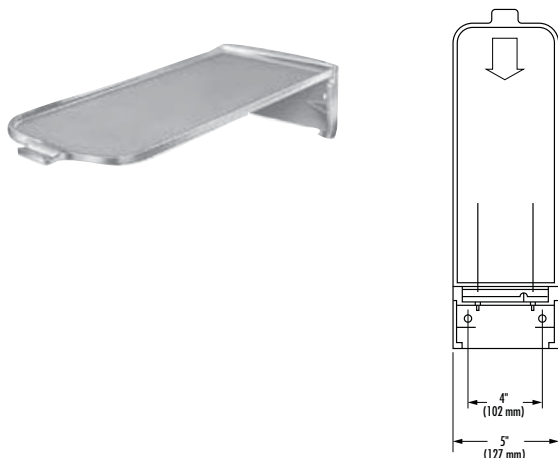


Surface-mounted shelves fabricated of stainless steel with exposed surfaces in architectural satin finish.

MODEL 7510 10" (254 mm) Width

MODEL 7512 12" (305 mm) Width

CHROME-PLATED ZINC SHELF



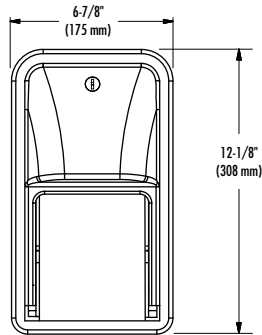
MODEL 790

Surface-mounted, fold-down utility shelf. Fabricated of heavy-duty, chrome-plated zinc die cast with textured shelf area. Rear hinged shelf folds down for use. Holds up to 150 lb (68 Kg). Automatically returns to vertical position.

Unit measures 5" W x 14 7/8" D.

-SS Stainless Steel

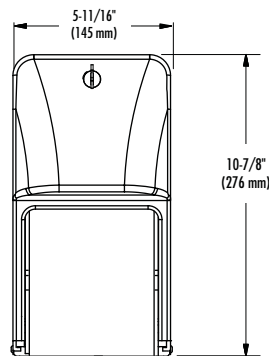
Bradley Toilet Tissue Holders and Seat Cover Dispensers provide a complete selection of surface-mounted, recessed and partition-mounted units. Toilet Tissue Holders are available in single and multi-roll models, some with integral shelves.



MODEL 5A00

Designed with unique dual-curve geometry. Constructed of architectural satin finish stainless steel. Recess-mounted, non-controlled delivery toilet tissue holder. Cabinet holds two rolls up to 4½" (114 mm) W x 5¼" (133 mm) diameter standard core toilet tissue. Molded polyethylene spindles.

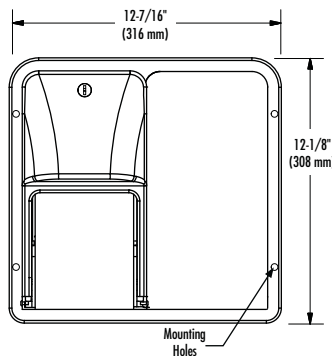
Rough wall opening 6" W x 11½" H x 4" D.



BX MODEL 5A10

Designed with unique dual-curve geometry. Constructed of architectural satin finish stainless steel. Surface-mounted, non-controlled delivery toilet tissue holder. Cabinet holds two rolls up to 4½" (114 mm) W x 5¼" (133 mm) diameter standard core toilet tissue. Molded polyethylene spindles.

Unit measures 5⅞" W x 10⅞" H x 6⅜" D.



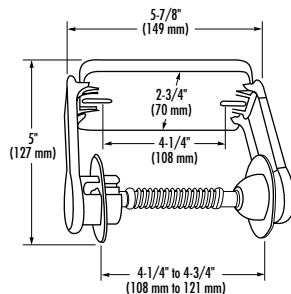
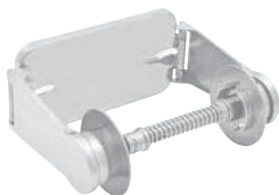
MODEL 5A20

Designed with unique dual-curve geometry. Constructed of architectural satin finish stainless steel. Partition-mounted, non-controlled delivery toilet tissue holder. Double-sided unit includes single-roll dispenser with roll-in-reserve serving each compartment. Each cabinet holds two rolls up to 4½" (114 mm) W x 5¼" (133 mm) diameter standard core toilet tissue. Molded polyethylene spindles.

Rough wall opening 11½" H x 11½" W.



SURFACE-MOUNTED

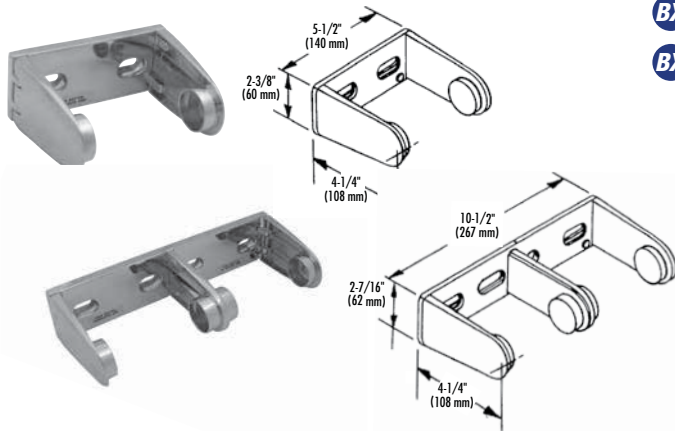


MODEL 5061

Controlled delivery with vandal-resistant locking device and constant roll tension. Exclusive adjusting mechanism accommodates rolls from 4¼" (108 mm) W to 4¾" (121 mm) W. Holds one standard core roll through 6" (152 mm) in diameter.

Unit measures 5⅞" W x 2¾" H x 5" D.

TOILET TISSUE DISPENSERS



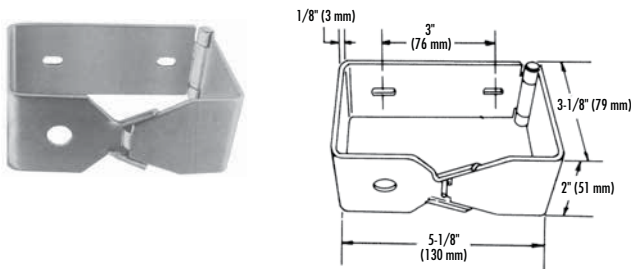
BX **MODEL 505** Single Roll

BX **MODEL 522** Double Roll

Controlled delivery. Chrome-plated, die-cast zinc. Unit features hinged arm with spring catch for filling and tension spring on fixed arm. Holds one (two) standard core roll(s) through 5" (127 mm) in diameter and 4 1/2" (114 mm) wide.

Single roll unit measures 5 1/2" W x 2 3/8" H x 4 1/4" D.

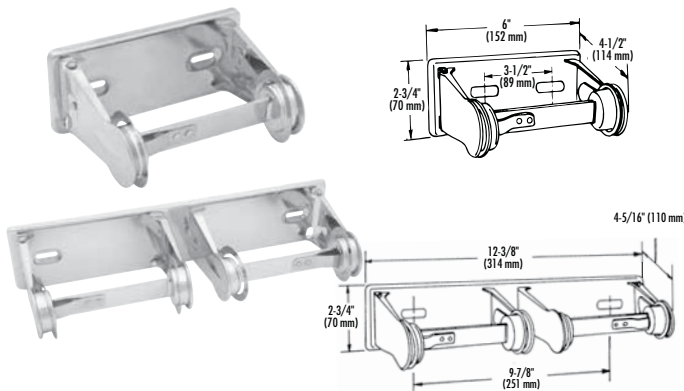
Double roll unit measures 10 1/2" W x 2 7/16" H x 4 1/4" D.



MODEL 5053 Single Roll

Controlled delivery. Epoxy-coated aluminum. One-piece construction with hinged arm and snap lock, which is concealed by tissue roll. No removable parts.

Unit measures 5 1/8" W x 2" H x 3 1/8" D.



BX **MODEL 5054** Single Roll

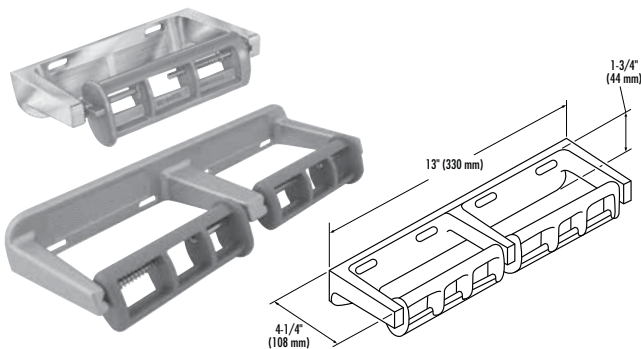
BX **MODEL 5224** Double Roll

Controlled delivery. Heavy-duty, chrome-plated steel. Vandal-resistant locking mechanism. Hinged arm for filling. Tension spring prevents free spinning of roll. Holds one (two) standard core roll(s) through 6" (152 mm) in diameter.

Single roll unit measures 6" W x 2 3/4" H x 4 1/2" D.

Double roll unit measures 12 3/8" W x 2 3/4" H x 4 5/16" D.

BX **MODEL 5061** Chrome-plated Zinc **Single Roll***



MODEL 5071 Single Roll

BX **MODEL 5241** Double Roll

Controlled delivery. Die-cast aluminum with gray polystyrene spindle. Rotates 1/2 revolution for each dispensing operation and returns to original position. Spring allows spindle to be released for filling. Holds one (two) standard core roll(s) through 5 1/2" (140 mm) in diameter.

Single roll unit measures 6 1/2" W x 1 3/4" H x 4" D.

Double roll unit measures 13" W x 1 3/4" H x 4 1/4" D.

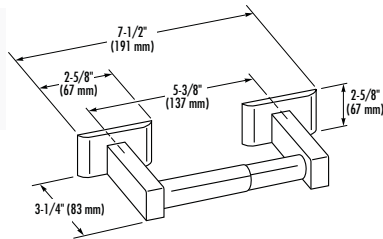
BX **-50** Non-controlled Delivery



THEFT-RESISTANT SPINDLE (-52)

Available as an option for Bradley surface-mounted and recessed toilet tissue holders.

Option 52 can be ordered as a replacement part: #S01-459.

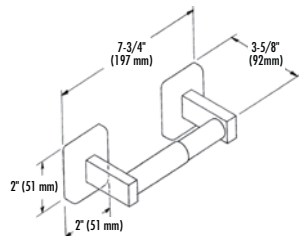
**MODEL 508***

Non-controlled delivery. Chrome-plated, cast brass with chrome-plated plastic spindle.

Unit measures 7 $\frac{1}{2}$ " W x 2 $\frac{5}{8}$ " H x 3 $\frac{1}{4}$ " D.



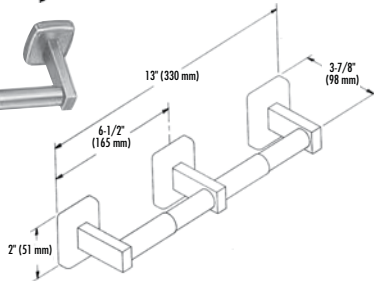
*Theft-resistant spindle available (-52).

**BX MODEL 5084 Single Roll*****BX MODEL 5234 Double Roll***

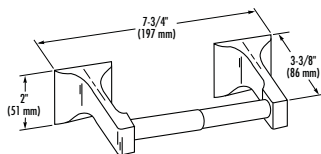
Non-controlled delivery. Constructed of satin-finish stainless steel. Unit has individually mounted arms and free-turning roller that telescopes for filling. Holds standard core rolls through 5 $\frac{1}{2}$ " (140 mm) in diameter.

Single roll unit measures 7 $\frac{3}{4}$ " W x 2" H x 3 $\frac{5}{8}$ " D.

Double roll unit measures 13" W x 2" H x 3 $\frac{7}{8}$ " D.

**BX MODEL 5085 Unit with Bright Polish Finish. Single Roll*****BX MODEL 5235 Unit with Bright Polish Finish. Double Roll***

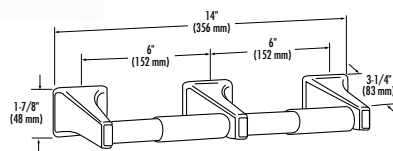
*Theft-resistant spindle available (-52).

**BX MODEL 508-32 Single Roll*****MODEL 523 Double Roll***

Non-controlled delivery. Highly polished, chrome-finish Zamac brackets with plated-steel mounting bracket and chrome-plated plastic spindle.

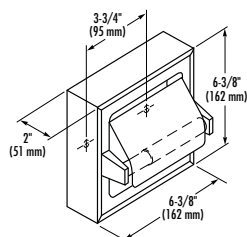
Single roll unit measures 7 $\frac{3}{4}$ " W x 2" H x 3 $\frac{3}{8}$ " D.

Double roll unit measures 14" W x 1 $\frac{7}{8}$ " H x 3 $\frac{1}{4}$ " D.



*Plastic Roller (-51) 508-32 only.

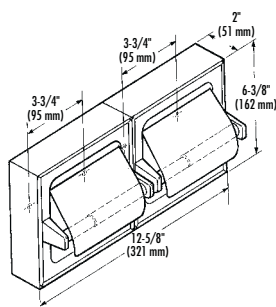
*Theft-resistant spindle available (-52).

**BX MODEL 5106 Single Roll*****BX MODEL 5126 Double Roll***

Surface-mounted, non-controlled delivery with hinged hood. Fabricated of bright polished stainless steel and chrome-plated plastic spindle. Free-turning rollers. Holds standard core rolls through 5 $\frac{1}{2}$ " (140 mm) in diameter.

Single roll unit measures 6 $\frac{3}{8}$ " W x 6 $\frac{3}{8}$ " H x 2" D.

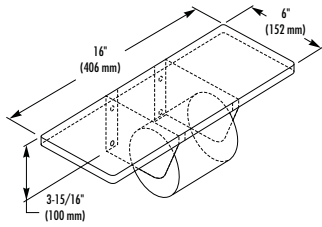
Double roll unit measures 12 $\frac{5}{8}$ " W x 6 $\frac{3}{8}$ " H x 2" D.



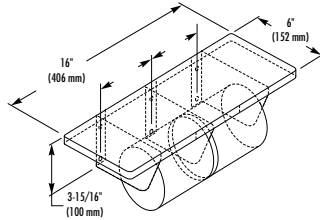
*Theft-resistant spindle available (-52).



TOILET TISSUE DISPENSERS



MODEL 5262 Single Roll

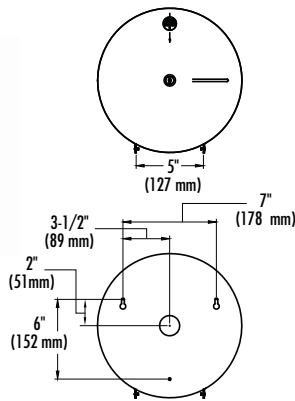


BX **MODEL 5263** Double Roll

Toilet tissue dispenser with shelf. Non-controlled delivery. Fabricated of satin-finish stainless steel. Spindle(s) of ABS plastic with concealed spring. Standard core 6" (152 mm) diameter toilet tissue roll(s).

Single roll unit measures 16" W x 3¹⁵/₁₆" H x 6" D.

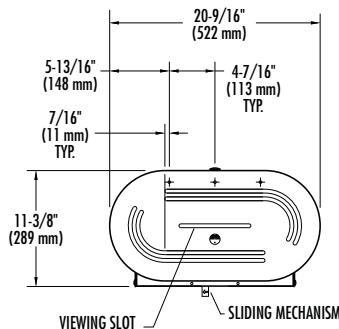
Double roll unit measures 16" W x 3¹⁵/₁₆" H x 6" D.



BX **MODEL 5424**

Surface-mounted, jumbo-roll, toilet tissue holder. Satin-finish stainless steel. Door swings down to replenish tissue roll and is secured with tumbler lock. Holds one roll (up to 10" (254 mm) diameter) of 1¹/₂" (38 mm) or 2¹/₈" (54 mm) diameter core toilet tissue minimum. Refill indicator slot reveals tissue level.

Unit measures 10¹³/₁₆" W x 10¹³/₁₆" H x 4³/₄" D.

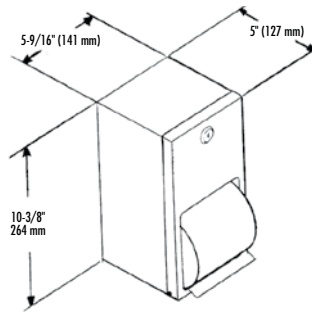


BX **MODEL 5425**

Surface-mounted, dual-jumbo-roll, toilet tissue holder. Satin-finish stainless steel. Bottom hinged front panel is secured with tumbler lock. Holds two standard 9" (229 mm) rolls. Core adapters accept 2¹/₄" (57 mm) or 3" (76 mm) diameter core tissue minimum. Inside mechanism of durable ABS has sliding bottom access panel to allow dispensing from one roll at a time. Non-controlled delivery.

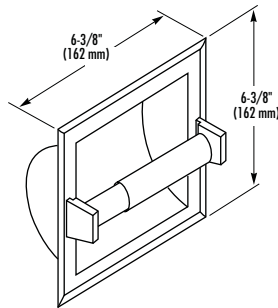
Unit measures 20⁹/₁₆" W x 11³/₈" H x 6" D.



**BX MODEL 5402**

Surface-mounted, dual-roll, toilet tissue holder. Satin-finish stainless steel. Vandal-resistant, polyethylene spindles. Bottom hinged front panel is secured with tumbler lock. Holds two standard rolls up to 4³/₄" (121 mm) in diameter, 4¹/₂" (114 mm) W. Non-controlled delivery.

Unit measures 5⁹/₁₆" W x 10³/₈" H x 5" D.

**RECESS-MOUNTED****MODEL 5104 Satin Finish*** (shown)

Recess-mounted toilet tissue holder with non-controlled delivery. Recessed housing and projecting parts of satin finish stainless steel. Free-turning, chrome-plated plastic roller telescopes for filling. Holds one standard core roll up to 5" (127 mm) in diameter.

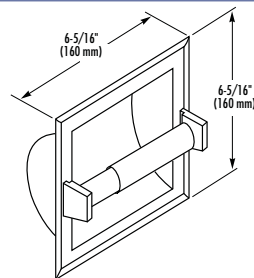
MODEL 5102 Unit Housing and Projecting Parts of Bright Polished Stainless Steel*

Rough wall opening 5¹/₄" W x 5¹/₄" H x 2" D.

MODEL 510 Chrome-Plated Brass Unit*

Rough wall opening 5¹/₄" W x 5¹/₄" H x 2" D.

*Theft-resistant spindle available (-52).

**MODEL 5103 Single Roll*****MODEL 5123 Double Roll***

Recess-mounted toilet tissue holder with hinged hood and non-controlled delivery. Housing brackets and hood fabricated of bright polished stainless steel. Chrome-plated plastic spindle. Holds one (two) standard core roll(s) through 5¹/₂" (140 mm) in diameter.

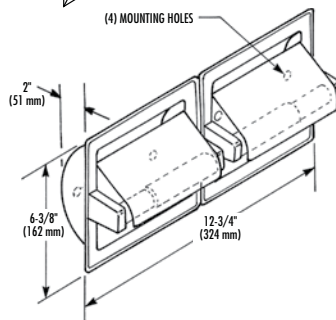
Single roll rough wall opening

5" W x 4⁷/₈" H x 1⁷/₈" D.

Double roll rough wall opening

11³/₄" W x 5¹/₄" H x 2" D.

*Theft-resistant spindle available (-52).

**MODEL 5105***

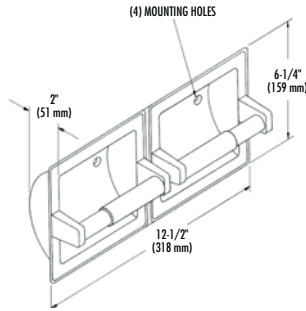
Recess-mounted toilet tissue holder with non-controlled delivery. Housing fabricated of bright polished stainless steel. Posts are fabricated of chrome-plated zinc. Spindle fabricated of chrome-plated plastic. Holds one standard core toilet tissue roll through 5" (127 mm) in diameter, plus one spare roll behind spindled roll.

Rough wall opening 5¹/₄" W x 5¹/₄" H x 4" D.

*Theft-resistant spindle available (-52).



TOILET TISSUE DISPENSERS



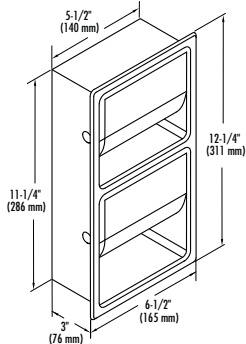
MODEL 5124*

Recess-mounted, dual-roll, toilet tissue holder with non-controlled delivery. Satin-finish stainless steel. Chrome-plated, zinc die-cast projecting parts. Free-turning, chrome-plated plastic rollers. Holds two standard core rolls through 5" (127 mm) in diameter.

MODEL 5125 Unit with Bright Polish Finish*

Rough wall opening 11 3/4" W x 5 1/4" H x 2" D.

*Theft-resistant spindle available (-52).

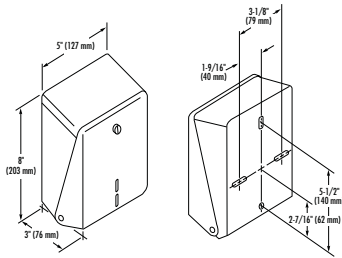


BX MODEL 5127

Recess-mounted, dual roll, non-controlled delivery with hinged hood toilet tissue holder. Fabricated of bright polished stainless steel and chrome-plated plastic spindle. Free-turning rollers. Holds standard core through 5 1/2" (140 mm) diameter.

Unit measures 6 1/2" W x 12 1/4" H x 3" D.

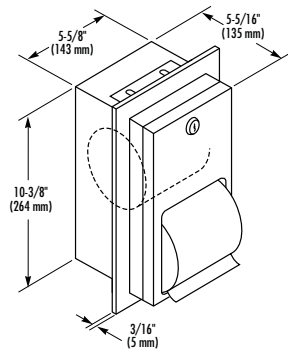
Rough wall opening 6" W x 11 3/4" H x 3 1/4" D.



MODEL 515

Dispenses sheet tissue. Satin-finish stainless steel. Front panel hinged at bottom. Vandal-resistant lock.

Unit measures 5" W x 8" H x 3" D.



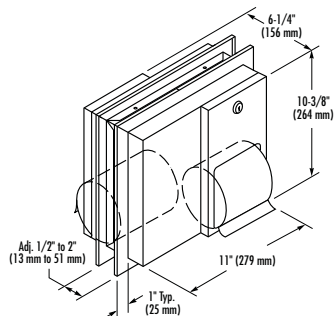
BX MODEL 5412

Recess-mounted, dual-roll, toilet tissue holder. Satin-finish stainless steel. Vandal-resistant polyethylene spindles. Bottom hinged front panel is secured with tumbler lock. Holds two standard rolls up to 4 3/4" (121 mm) in diameter, 4 1/2" (114 mm) W. Non-controlled delivery.

With flange, unit measures 7 5/8" W x 12 3/8" H x 5 5/16" D.

Without flange, unit measures 5 5/8" W x 10 3/8" H x 5 5/16" D.

Rough wall opening 5 3/4" W x 10 1/2" H x 4" D.



BX MODEL 5422

Partition-mounted, dual-roll, toilet tissue holder. Serves two adjoining compartments. Satin-finish stainless steel. Vandal-resistant polyethylene spindles. Bottom hinged front panel is secured with tumbler lock. Holds two standard rolls up to 4 3/4" (121 mm) in diameter, 4 1/2" (114 mm) W. Non-controlled delivery.

With flange, unit measures 13" W x 12 3/8" H x 5 23/32" D.

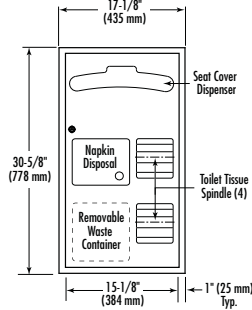
Without flange, unit measures 11" W x 10 3/8" H x 5 3/32" D.

Partition opening 11 3/8" W x 10 5/8" H.



TOILET TISSUE DISPENSERS COMBINATION UNITS

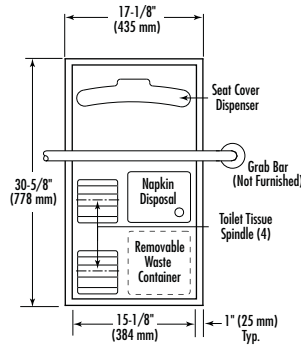
Bradley Seat Cover Dispenser/Combination units are fabricated of 18-gauge stainless steel and are secured with full-length piano hinges and tumbler locks for the ultimate blend of style and vandal resistance. When doors are locked, contents and interior areas are hidden and protected. Partition-mounted units serve two compartments at the same time.



BX MODEL 591

Partition-mounted combination unit serves two compartments. Dispenses 1,000 standard single or half-fold paper toilet seat covers. Holds four standard core rolls through 5 1/4" (133 mm) in diameter. Waste receptacle capacity 0.88 gal (3.3 L). Non-controlled delivery.

Partition opening 15 1/2" W x 28 7/8" H.



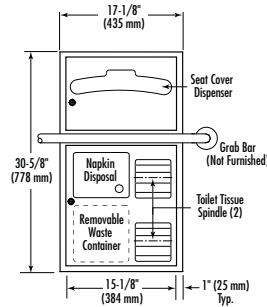
MODEL 5911

Partition-mounted combination unit serves two compartments. Mounts with one side flush against partition allowing clearance for grab bar in barrier-free compartment. Waste receptacle capacity 0.88 gal (3.3 L). Holds four standard core rolls through 5 1/4" (133 mm) in diameter. Non-controlled delivery. Servicing of unit accomplished from non-barrier-free compartment.

Partition opening 15 1/2" W x 28 7/8" H.



-69 Reverse Door Option



BX MODEL 5912

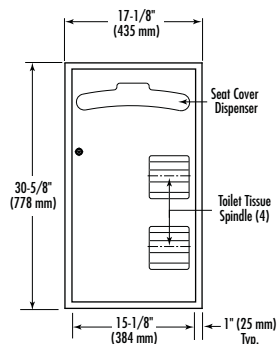
Recess-mounted combination unit. Dispenses 1,000 standard single or half-fold paper toilet seat covers. Holds two standard core rolls through 5 1/4" (133 mm) in diameter. Non-controlled delivery. Waste receptacle capacity 1 gal (3.8 L).

Rough wall opening 15 1/2" W x 28 7/8" H x 4" D.

-10 Semi-Recessed Projects 1 1/4" (32 mm) from wall. Not for use with grab bar.

-11 Surface-Mounted Projects 4 1/4" (108 mm) from wall. Not for use with grab bar.

-69 Reverse Door Option

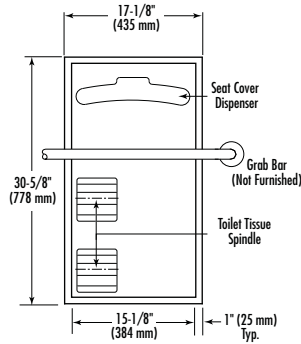


MODEL 592

Partition-mounted combination unit serves two compartments. Dispenses 1,000 standard single or half-fold paper toilet seat covers. Holds four standard core rolls through 5 1/4" (133 mm) in diameter. Non-controlled delivery.

Partition opening 15 1/2" W x 28 7/8" H.



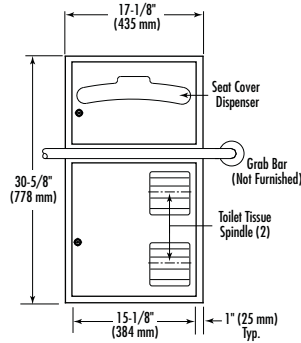


MODEL 5921

Partition-mounted combination unit serves two compartments. Mounts with one side flush against partition allowing clearance for grab bar in barrier-free compartment. Holds four standard core rolls through 5 1/4" (133 mm) in diameter. Servicing of unit accomplished from non-grab-bar compartment. Non-controlled delivery.

Partition opening 15 1/2" W x 28 7/8" H.

-69 Reverse Door Option



BX MODEL 5922

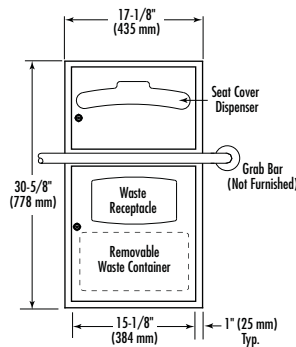
Recess mounted. Dispenses 1,000 standard single or half-fold paper toilet seat covers. Holds two standard core rolls through 5 1/4" (133 mm) in diameter. Non-controlled delivery.

Rough wall opening 15 1/2" W x 28 7/8" H x 4" D.

-10 Semi-Recessed 2 1/8" (54 mm) in wall, projects 2" (51 mm) from wall. Not for use with grab bar.

-11 Surface-Mounted Projects 4 1/4" (108 mm) from wall. Not for use with grab bar.

-69 Reverse Door Option



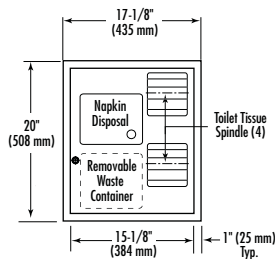
MODEL 5932

Recess-mounted combination unit. Dispenses 1,000 standard single or half-fold paper toilet seat covers. Waste receptacle capacity 1.7 gal (6.4 L).

Rough wall opening 15 1/2" W x 28 7/8" H x 4" D.

-10 Semi-Recessed

-11 Surface-Mounted

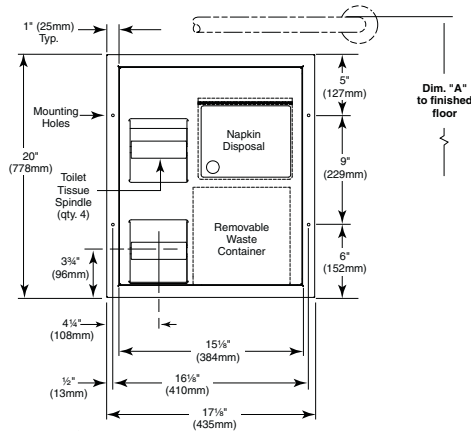


MODEL 594

Partition-mounted combination unit serves two compartments. Dispenses four standard core rolls through 5 1/4" (133 mm) in diameter, two rolls per compartment. Non-controlled delivery. Waste receptacle capacity 1 gal (3.8 L).

Partition opening 15 1/2" W x 18 1/4" H.

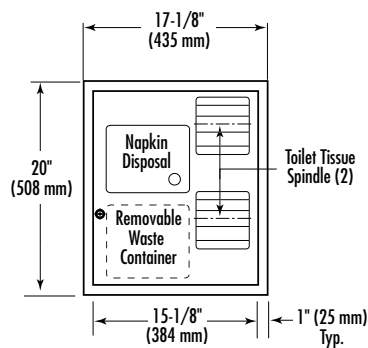




MODEL 5941

Partition-mounted combination unit shall include toilet tissue dispenser, and napkin disposal, and be fabricated of, heavy gauge stainless steel with seamless exposed surfaces in satin finish. Door and back panel shall be 18 gauge. Door shall have piano hinge and tumbler lock.

Overall dimensions: 17 1/8" W x 20" H x 4 1/2" D.



MODEL 5942

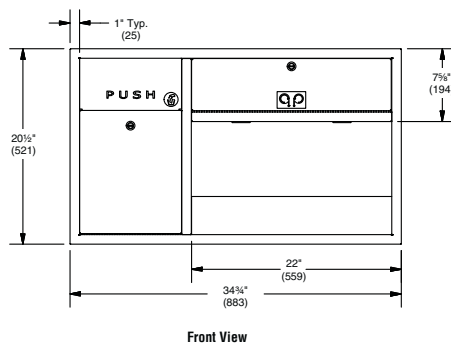
Recess-mounted combination unit. Dispenses two standard core rolls through 5 1/4" (133 mm) in diameter. Non-controlled delivery. Napkin disposal has self-closing, push-flap door. Waste receptacle capacity 1 gal (3.8 L).

Rough wall opening 15 3/8" W x 18 1/4" H x 4 1/4" D.

-10 Semi-Recessed 3 1/4" (83 mm) in wall, projects 1 1/4" (32 mm) from wall.

-11 Surface-Mounted Projects 4 1/2" (108 mm) from wall.

-69 Reverse Door Option



MODEL 5951

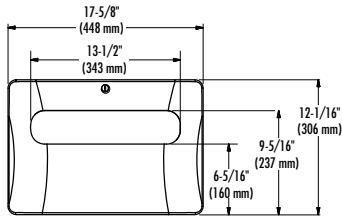
Recessed combination unit shall include dual jumbo coreless toilet tissue dispenser and napkin disposal, and be fabricated of stainless steel with seamless exposed surfaces in satin finish. Doors shall be 18 gauge, 304 stainless steel, with piano hinge and tumbler lock.

Overall dimensions: 34 3/4" W x 20 1/2" H x 6 1/4" D.

MODEL 5952 Right hand configuration.



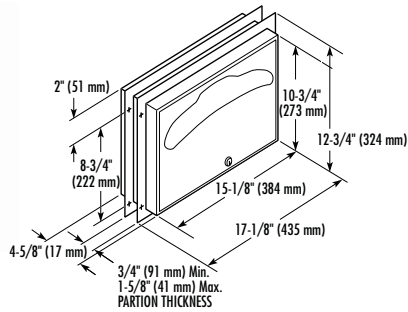
SEAT COVER DISPENSERS



BX **MODEL 5A40-11**

Designed with unique dual-curve geometry. Constructed of architectural satin finish stainless steel. Surface-mounted seat cover dispenser. Dispenses 250 standard single or half-fold paper toilet seat covers.

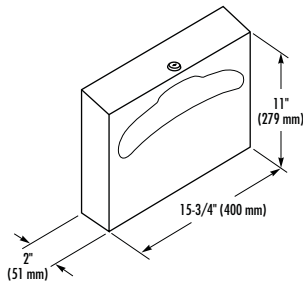
Unit measures 17⁵/₈" W x 12¹/₁₆" H x 1³/₄" D.



MODEL 582

Partition-mounted seat cover dispenser serves two compartments. Dispenses 1,000 single-fold or half-fold paper seat covers.

Partition opening 11" H x 15³/₈" W.



BX **MODEL 583**

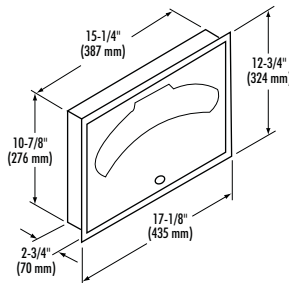
Surface-mounted seat cover dispenser. Dispenses 500 standard single or half-fold paper toilet seat covers. Does not lock.

Unit measures 15" W x 11¹/₂" H x 2³/₈" D.

BX **MODEL 5831 (shown)**

Unit dispenses 250 toilet seat covers.

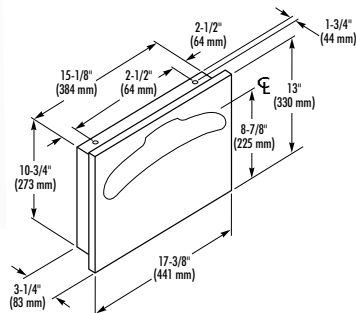
Unit measures 15³/₄" W x 11" H x 2" D.



MODEL 584

Recess-mounted seat cover dispenser. Dispenses 500 standard single or half-fold paper toilet seat covers.

Rough wall opening 15³/₄" W x 11³/₈" H x 2³/₄" D.



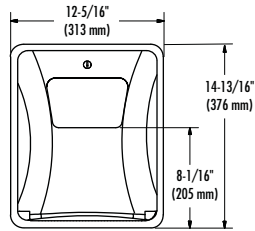
BX **MODEL 5847**

CONTEMPORARY SERIES

Recess-mounted, seat cover dispenser. Dispenses 500 standard single or half-fold toilet seat covers.

Rough wall opening 15⁵/₈" W x 11¹/₄" H x 2³/₄" D.



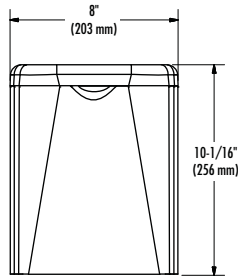


BX MODEL 4A00

Designed with unique dual-curve geometry. Constructed of architectural satin finish stainless steel. 1.5 gal (5.7 L), recess-mounted napkin disposal with push-flap door. Removable plastic disposal.

Rough wall opening 11 1/4" W x 13 3/4" H x 4" D.

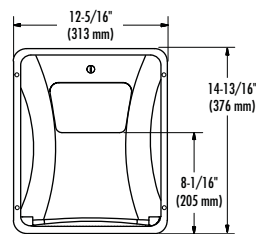
-10 Semi-Recessed 2" (51 mm) in wall, projects 3 3/4" (95 mm) from wall.



BX MODEL 4A10-11

Designed with unique dual-curve geometry. Constructed of architectural satin finish stainless steel. 1.5 gal (5.7 L), surface-mounted napkin disposal with hinged cover. Accepts all after-market industry liners.

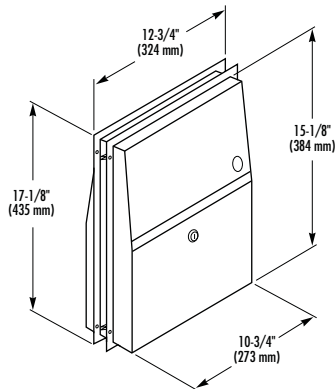
Unit measures 8" W x 10 1/16" H x 3 7/8" D.



MODEL 4A11

Designed with unique dual-curve geometry. Constructed of architectural satin finish stainless steel. Mounts in partition to serve two compartments. 1.5 gal (5.7 L) napkin disposal with self-closing push-flap door. Removable plastic disposal.

Rough wall opening 11 1/4" W x 13 3/4" H.

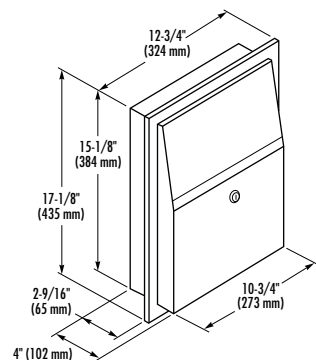


BX MODEL 4721-15

Mounts in partition to serve two compartments. Two push-flap doors and stainless steel waste receptacle removable from one side. Flange adjusts for partitions from 1/2" (13 mm) to 1 1/4" (32 mm) thick. Uses disposable, wet-strength paper liner. 1.5 gal (5.7 L) capacity.

Partition opening 11" W x 15 3/8" H.

Note: If used with an odd number of compartments, use one **Model 4722-15** in side wall of end compartment.



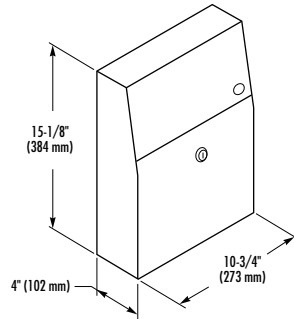
MODEL 4722-1015

Semi-recessed napkin disposal unit with push-flap door and removable, stainless steel receptacle. Uses disposable, wet-strength paper liner.

Rough wall opening 11" W x 15 3/8" H x 2 1/2" D.

Unit projects 1 7/16" (37 mm) from finished wall.

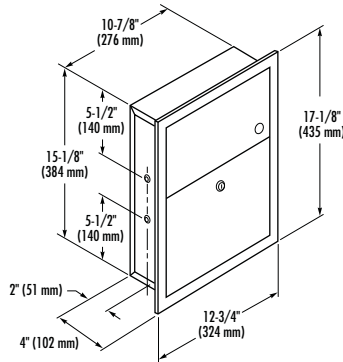




BX **MODEL 4722-15**

Surface-mounted napkin disposal unit with push-flap door and removable, stainless steel receptacle. Uses disposable, wet-strength paper liner.

Measures 10³/₄" W x 15¹/₈" H x 4" D.

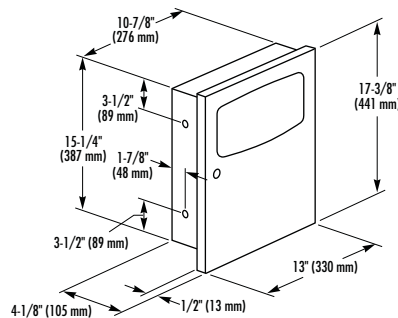


BX **MODEL 4731-15**

Recess-mounted napkin disposal unit with push-flap door and removable, stainless steel receptacle. Uses disposable, wet-strength paper liner. May also be used as a small-capacity waste receptacle.

Rough wall opening 11³/₈" W x 15³/₈" H x 4" D.

Unit projects 1⁷/₁₆" (37 mm) from finished wall.



MODEL 4737

CONTEMPORARY SERIES

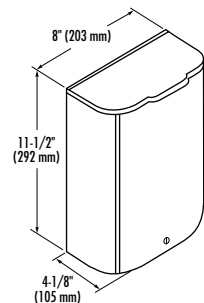
Recess-mounted napkin disposal with push-flap door. Removable, leak-proof, molded-plastic insert.

Rough wall opening 11³/₈" W x 15³/₄" H x 4" D.

-10 Semi-Recessed 2¹/₈" (54 mm) in wall, projects 2" (51 mm) from wall.

-11 Surface-Mounted Projects 4¹/₈" (105 mm) from wall.

Note: Only recessed and semi-recessed.



BX **MODEL 4781-15**

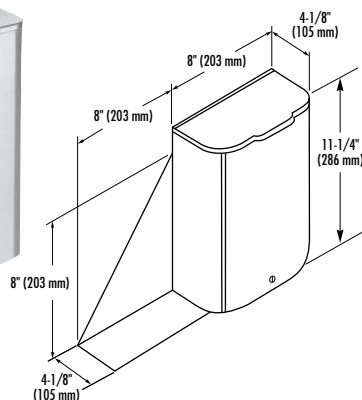
Surface-mounted napkin disposal unit has hinged cover and bottom with lock. Uses disposable, wet-strength paper liner.

Unit measures 8" W x 11¹/₂" H x 4¹/₈" D.

MODEL 4791-15

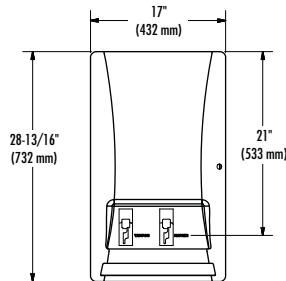
Surface-mounted napkin disposal with integral shelf has hinged cover and bottom with tumbler lock. Shelf welded to waste receptacle. Uses disposable, wet-strength paper liner.

Unit measures 16" W x 11¹/₄" H x 4¹/₈" D.



All Bradley dispensers combine smooth, contemporary styling with durable, vandal-resistant construction. Doors feature full-length piano hinges and tumbler locks for added security and maintenance ease. Configurations range from semi-recessed and recessed to surface-mounted and partition-mounted models.

RECESSED AND SEMI-RECESSED

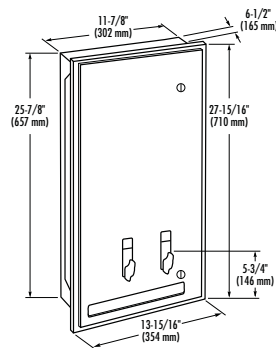


MODEL 4A20

Designed with unique dual-curve geometry. Constructed of architectural satin finish stainless steel. Recess-mounted napkin/tampon vendor. Dispenses 18 napkins and 28 tampons. Specify coin choice (Free, 10¢, 25¢, 50¢, \$1.00 and Euro).

Rough wall opening 16¹/₈" W x 27⁷/₈" H x 4" D.

- 11 **Surface-Mounted** Projects 5³/₄" (146 mm) from wall.
- 45 25¢ Coin Operation

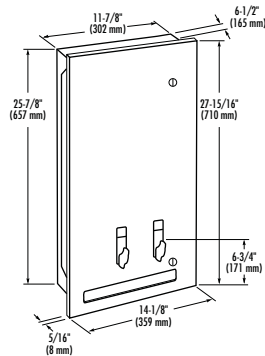


MODEL 401

Recessed napkin/tampon vendor. Dispenses 30 napkins and 28 tampons. Slip-type flange permits full or partial recess installation or can be discarded for surface mounting. Coin mechanism may be replaced in the field without removing cabinet from wall. Specify coin choice (Free, 10¢, 25¢, 50¢, \$1.00).

Rough wall opening 12¹/₂" W x 26³/₈" H x 6" D.

- BX** -45 25¢ Coin Operation



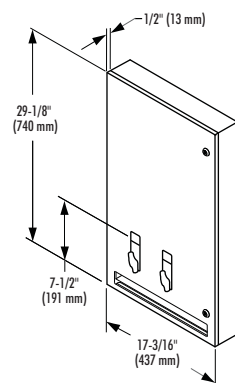
MODEL 4017

CONTEMPORARY SERIES

Recessed napkin/tampon vendor. Dispenses 30 napkins and 28 tampons. Full-length piano hinge and two tumbler locks. Coin mechanism may be replaced in the field without removing cabinet from wall. Specify coin choice (Free, 10¢, 25¢, 50¢, \$1.00).

Rough wall opening 12¹/₂" W x 26³/₈" H x 6¹/₂" D.

- 10 **Semi-Recessed** 4" (102 mm) in wall, projects 2" (51 mm) from wall.
- 11 **Surface-Mounted** Projects 6³/₄" (171 mm) from wall.



MODEL 407

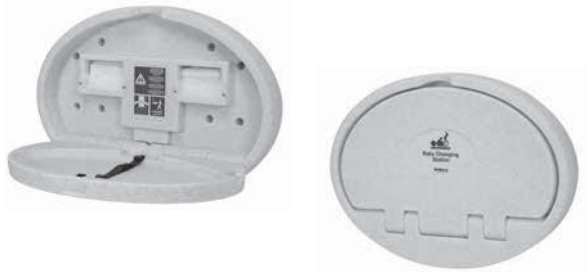
CONTEMPORARY SERIES

Recessed napkin/tampon vendor. Dispenses 18 napkins and 28 tampons. Shallow design permits unit to be fully recessed in a standard 4" (102 mm) deep wall. Coin mechanism may be replaced in the field without removing cabinet from wall. Specify coin choice (Free, 10¢, 25¢, 50¢, \$1.00).

Rough wall opening 16¹/₈" W x 27⁷/₈" H x 4" D.

- 11 **Surface-Mounted** Projects 4³/₈" (111 mm) from wall.
- BX** -45 25¢ Coin Operation
- BX** -1145 Surface-Mounted with 25¢ Coin Operation

BABY CHANGING STATIONS

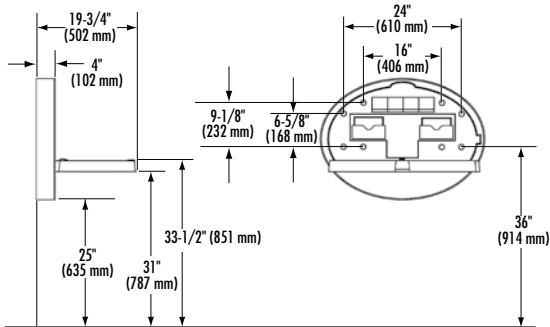


BX MODEL 961

Surface-mounted, folding, high-density polyethylene unit. Full-length steel hinge mechanism. Molded-in liner dispensers and bag hooks. Attractive gray/white/black granite color. Requires less than 5 lb (2.3 Kg) of pull force to open.

BX MODEL 9611 Solid Light Gray Color

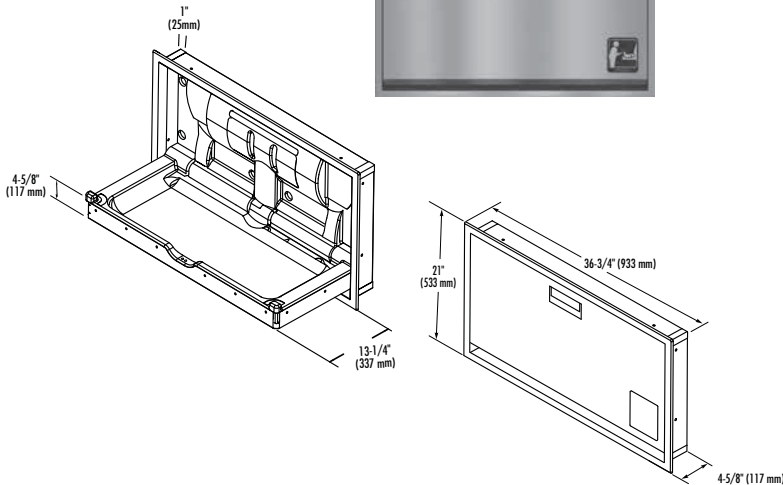
BX MODEL 9612 Ivory Color

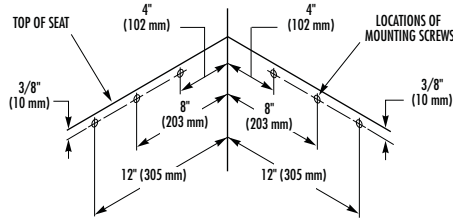


BX MODEL 962

Recess-mounted unit with polyethylene body and barrier-free design. Brushed stainless steel exterior. Standard with molded, dual-liner dispenser (holds approximately 50 per dispenser). Safety belt with cam-buckle is adjustable with one hand. Pneumatic gas shock mechanism ensures smooth, safe open and close motions. Rated to support static load of 250 lb (113.4 Kg).

BX MODEL 962-11 Surface-Mounted

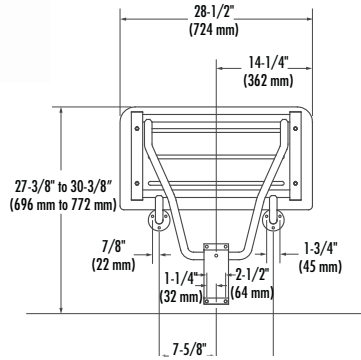
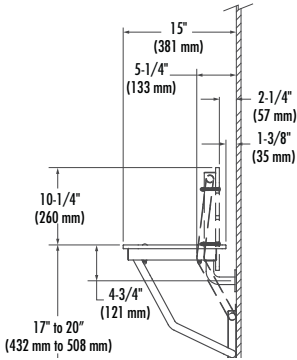




MODEL 954

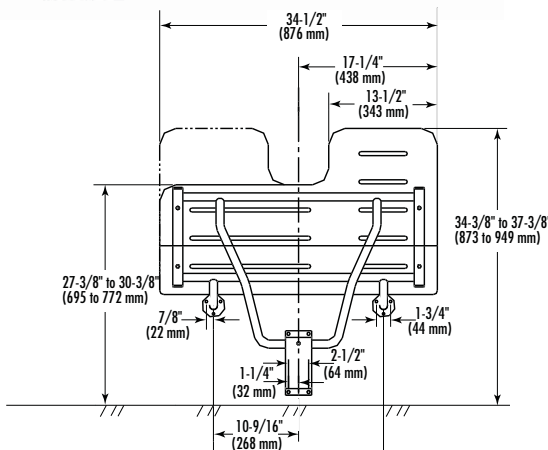
Hinged corner shower seat. Heavy-duty, satin-finish, stainless steel with 3/4" (19 mm) return edges. Folds to vertical position when not in use.

MODEL 9541 Fixed Corner Shower Seat



BX MODEL 9562

Folding, phenolic shower seat. Stainless steel tubing with stainless steel wall bracket and piano hinges. Seat of 1/2" (13 mm) solid phenolic. Folds to vertical position when not in use. Designed to support up to 400 lb (181.4 Kg) static load.



BX MODEL 9569

Frame fabricated with satin-finish, stainless steel, 16-gauge U-channel and 18-gauge 1" (25 mm) diameter tubing. Seat constructed of 1/2" (13 mm) thick solid phenolic with white matte melamine finish. Reversible in field to be right or left. Barrier-free design. For color options, please see website. When properly installed, designed to support up to 250 lb 113.4 Kg static load.

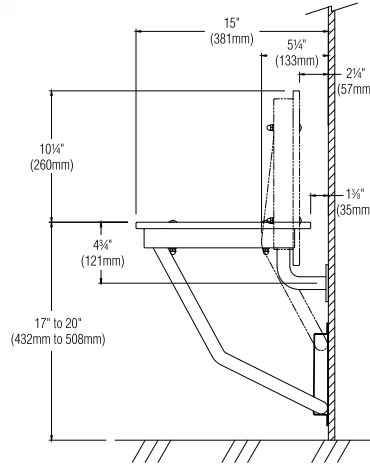
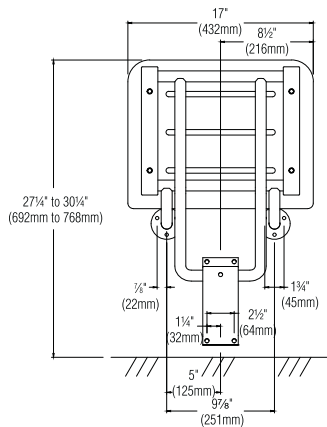
Reversible – Accommodates Right or Left Hand Configuration





BX MODEL 9591

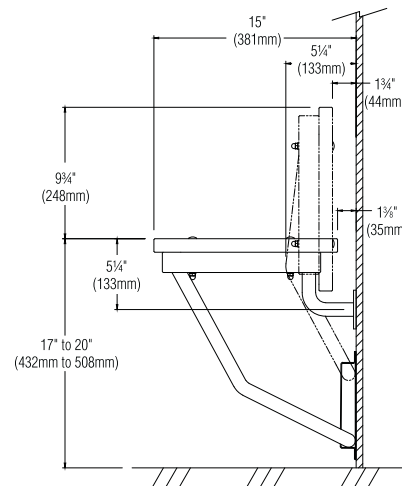
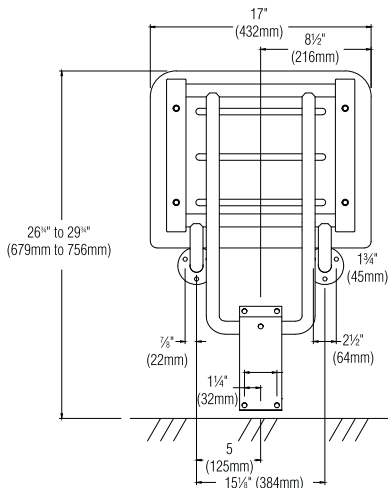
Folding, phenolic shower seat. Stainless steel tubing with stainless steel wall bracket and piano hinges. Seat of 1/2" (13 mm) solid phenolic. Folds to vertical position when not in use. Designed to support up to 250 lb (113.4 Kg) static load.



BX MODEL 9592

Folding, Bradmar™ solid plastic shower seat. Stainless steel tubing with stainless steel wall bracket and piano hinges. Seat of 1" (25 mm) thick high-density polyethylene. All exposed edges are machined smooth. Square configuration. Folds to vertical position when not in use. Designed to support up to 250 lb (113.4 Kg) static load.

Color: Linen cobblestone with textured finish.

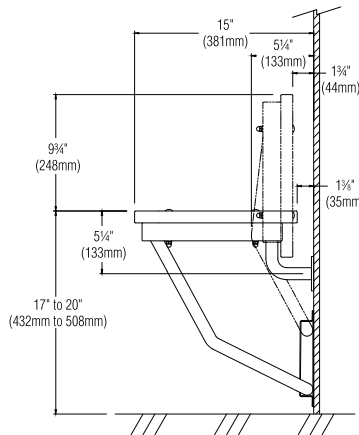
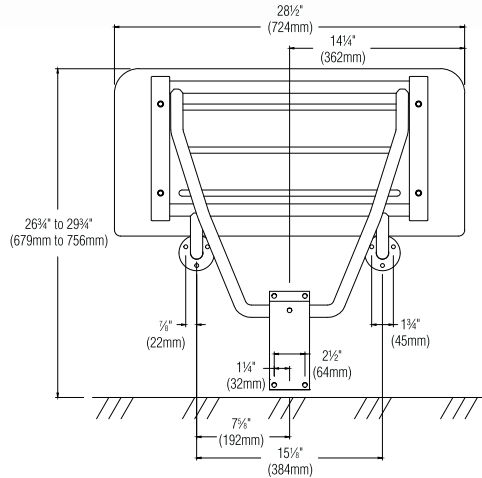




BX MODEL 9593

Folding, Bradmar™ solid plastic shower seat. Stainless steel tubing with stainless steel wall bracket and piano hinges. Seat of 1" (25 mm) thick high-density polyethylene. All exposed edges are machined smooth. Square configuration. Folds to vertical position when not in use. Designed to support up to 400 lb (181.4 Kg) static load.

Color: Linen cobblestone with textured finish.

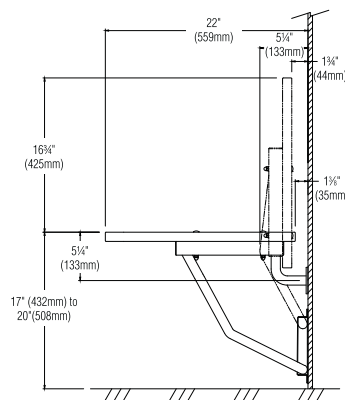
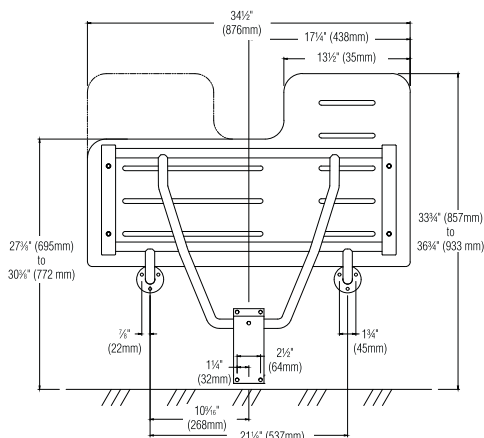


BX MODEL 9594

Folding, Bradmar™ solid plastic shower seat. Stainless steel tubing with stainless steel wall bracket and piano hinges. Seat of 1" (25 mm) thick high-density polyethylene. All exposed edges are machined smooth. Square configuration. Folds to vertical position when not in use. Designed to support up to 250 lb (113.4 Kg) static load.

Color: Linen cobblestone with textured finish.

Reversible – Accommodates Right or Left Hand Configuration

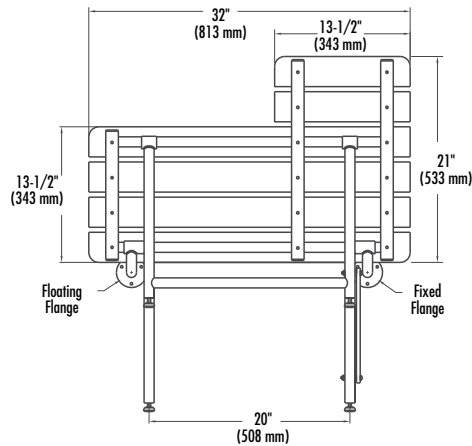




MODEL 957 Bariatric Shower Seat

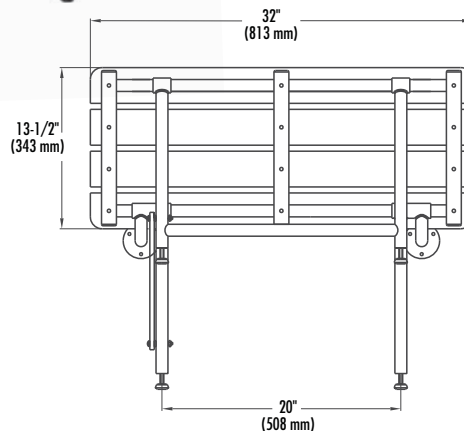
Folding bariatric shower seat with left hand configuration and barrier-free design. Frame fabricated of stainless steel tubing, 1 1/4" (32 mm) x 18-gauge square main frame with 1" (25 mm) x 18-gauge round cross members. Seat of 1/2" (13 mm) thick solid phenolic with white matte melamine finish. When properly installed, designed to support at least 900 lb (408.2 Kg).

MODEL 9571 Right Hand Configuration



MODEL 958 Bariatric Bench Shower Seat

Folding bariatric shower seat with barrier-free design. Frame fabricated of stainless steel tubing, 1 1/4" (32 mm) x 18-gauge square main frame with 1" (25 mm) x 18-gauge round cross members. Seat of 1/2" (13 mm) thick solid phenolic with white matte melamine finish. When properly installed, designed to support at least 900 lb (408.2 Kg).



SHOWER CURTAINS



BX MODEL 9533

Vinyl shower curtain. Fabricated of 6-gauge vinyl material. Hemmed edges and heat-sealed grommets on 6" (152 mm) centers. White is standard.

SIZES (9533)

- BX** 36" x 72" (914 x 1829 mm)
- BX** 42" x 72" (1067 x 1829 mm)
- BX** 72" x 72" (1829 x 1829 mm)

MODEL 9534

Duck shower curtain. Fabricated of 100% cotton duck material with hemmed top edges and chrome-plated nickel grommets on 6" (152 mm) centers. White only.

MODEL 9535

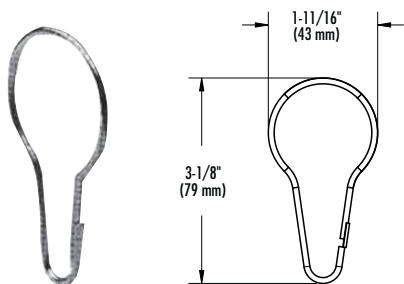
Antimicrobial shower curtain. Fabricated of 10 oz (10 mil), nylon-reinforced, antimicrobial, 8-gauge vinyl material. Flame resistant and self deodorizing with rust-proof grommet on 6" (152 mm) centers. All sides hemmed. Green is standard.

BX MODEL 9537

Same as Model 9535 shower curtain in white.

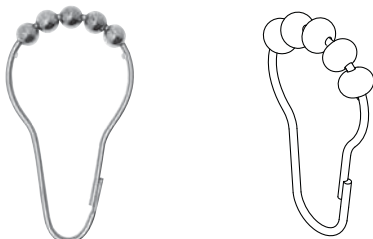
SIZES (9537)

- BX** 42" x 72" (1067 x 1829 mm)
- BX** 48" x 72" (1219 x 1829 mm)
- BX** 72" x 72" (1829 x 1829 mm)



BX MODEL 9536

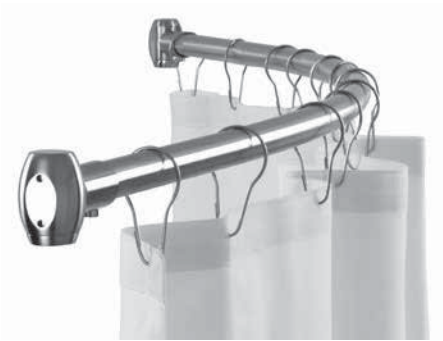
Shower curtain hook. Fabricated of stainless steel spring.



BX MODEL 9540

Shower curtain hook with rollers. Fabricated of stainless steel wire with snap fastener.

See technical data from website.

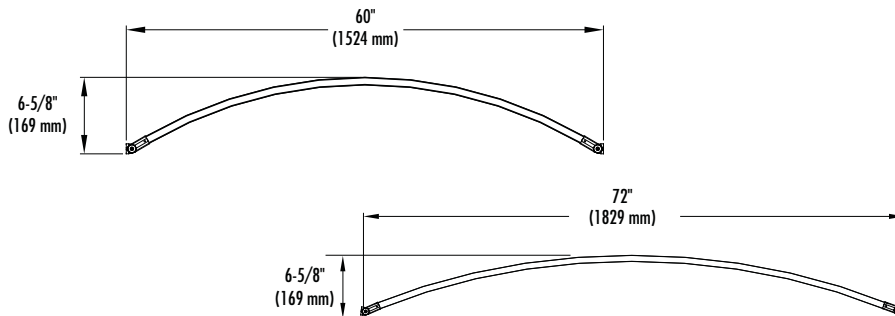


BX **MODEL 9530-60**

MODEL 9530-72

Shower curtain rod fabricated of stainless steel, seamless construction with exposed surfaces in architectural satin finish. Accommodates 60" (1524 mm) shower stall increasing space in shower stall.

-78 Bright Polished Finish



SHOWER RODS - EXPOSED MOUNTING

BX **MODEL 9531**

Heavy-duty shower curtain rod with exposed mounting. Rod of 18-gauge, satin-finish stainless steel; 1 1/4" (32 mm) O.D. Flanges of 22-gauge, satin-finish stainless steel; 3" O.D (76 mm). For lengths 72" (1829 mm) and greater, model 9522 is required. Must specify distance from ceiling.

MODEL 9531-4 Bright Finish

For lengths 72" (1829 mm) and greater, model 9522 is required. Must specify distance from ceiling.

SIZES

BX 36," 42," 48" and 60"
(914 mm, 1067 mm, 1219 mm and 1524 mm)

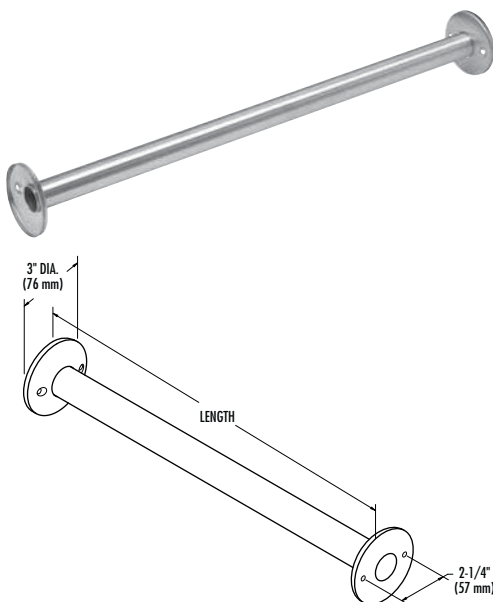
BX **MODEL 953**

Shower curtain rod of satin-finish stainless steel; 1" (25 mm) O.D. For rods over 72" (1829 mm) and L shaped, specify model 9531 or 9539.

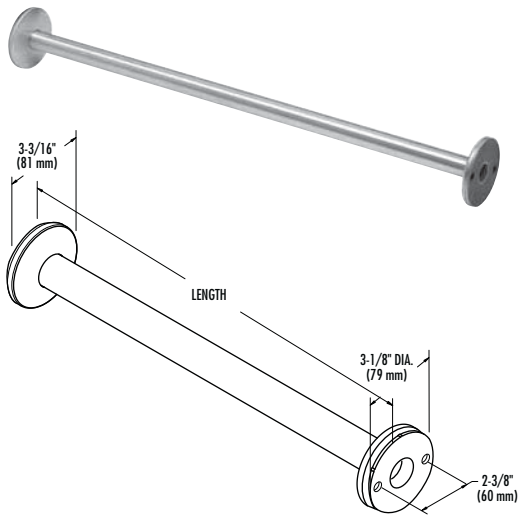
BX **MODEL 953-4** Bright Finish

SIZES

36" and 60" (914 and 1524 mm)



SHOWER RODS - CONCEALED MOUNTING

**BX** **MODEL 9539**

Heavy-duty shower curtain rod with concealed mounting. Fabricated of satin-finish stainless steel; 1 1/4" (32 mm) O.D. Flanges 3 3/16" (81 mm) O.D. Escutcheons snap over flanges to provide concealed mounting. For lengths 72" (1829 mm) and greater, model 9522 is required. Must specify distance from ceiling.

MODEL 9539-4 Bright Finish

For lengths 72" (1829 mm) and greater, model 9522 is required. Must specify distance from ceiling.

BX **SIZES**

36" and 60" (914 and 1524 mm)

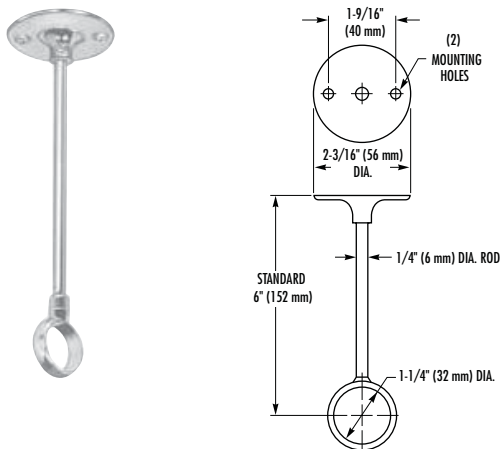
BX**MODEL 9538**

Shower curtain rod of satin-finish stainless steel; 1" (25 mm) O.D. For rods over 72" (1829 mm) and L shaped, specify model 9531 or 9539.

MODEL 9538-4 Bright Finish

BX**SIZES**

36" and 60" (914 and 1524 mm)

**MODEL 9522***

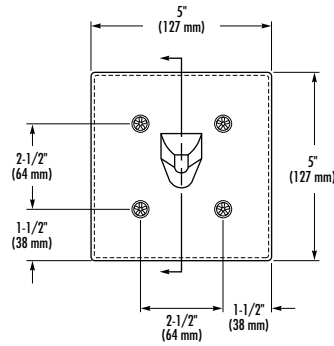
Shower rod ceiling support. For 1 1/4" (32 mm) O.D. shower curtain rod. Chrome-plated brass bracket, stainless steel rod and collar.

* Required for shower rod 72" (1829 mm) and greater. Must specify distance from ceiling.

SECURITY ACCESSORIES

You can rely on Bradley for a complete line of durable Security Fixtures for penal institutions and detention facilities. Our broad-based accessory line ranges from bookshelves and clothes hooks to soap dishes and tissue holders. All are fabricated of heavy-duty stainless steel.

CLOTHES HOOKS



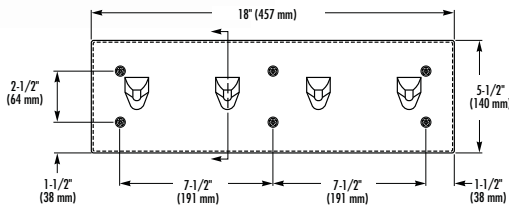
MODEL SA30 Chase-Mounted

MODEL SA31 Front-Mounted (shown)

Security towel hook fabricated of heavy-duty stainless steel with exposed surfaces in architectural satin finish. One-piece formed and ground smooth.

Unit measures 5" W x 5" H.

Projects 1 5/16" (33 mm) from wall.



MODEL SA32 Chase-Mounted

MODEL SA33 Front-Mounted (shown)

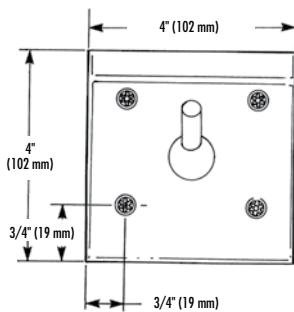
Security towel hook strip fabricated of heavy-duty stainless steel with exposed surfaces in architectural satin finish. All seams are welded and ground smooth.

Unit measures 18" W x 5 1/2" H.

Projects 1 5/16" (33 mm) from wall.



SA35



MODEL SA35 Chase-Mounted

BX MODEL SA36 Front-Mounted

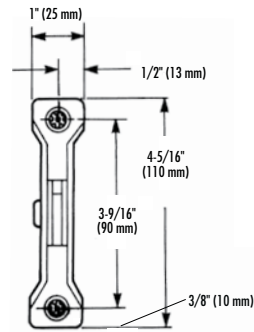
Security towel hook backplate fabricated of heavy-duty stainless steel in architectural satin finish. Safety hook of stainless steel with pivoting ball joint that releases when excessive force is applied.

Unit measures 4" W x 4" H.

Projects 2 1/4" (57 mm) from wall.



SA36



BX MODEL SA37 Front-Mounted

Safety clothes hook. Bracket is fabricated of heavy-duty stainless steel with stainless steel hook. Hook trips into down position when excessive loading is applied. Tension can be adjusted by special torx driver.

Unit measures 1" W x 4⁵/₁₆" H.

Projects 3" (76 mm) from wall.



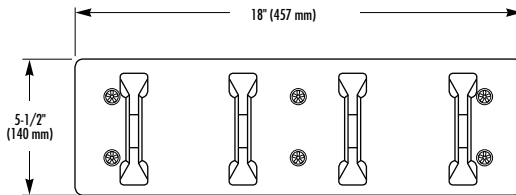
MODEL SA38 Chase-Mounted

MODEL SA39 Front-Mounted (shown)

Security clothes hook strip. Bracket is fabricated of heavy-duty stainless steel with stainless steel hook. Hook trips into down position when excessive loading is applied.

Unit measures 18" W x 5¹/₂" H.

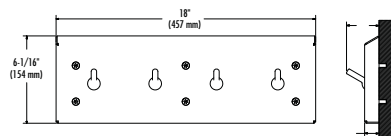
Projects 3" (76 mm) from wall.



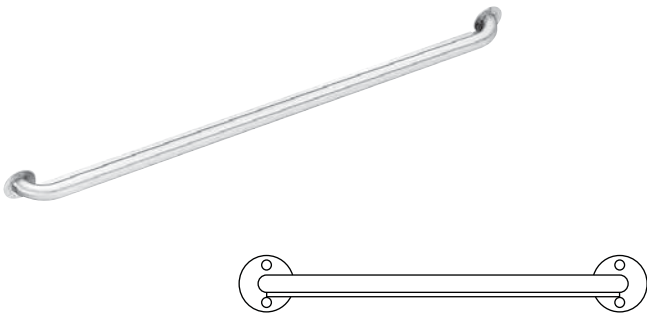
MODEL SA41

Security towel hook strip fabricated of heavy-duty stainless steel with exposed surfaces in architectural satin finish. All seams are welded and ground smooth. Safety hooks with pivoting ball joints that release when excessive force is applied.

Unit measures 18" W x 6¹/₁₆" H x 2¹/₄" D.



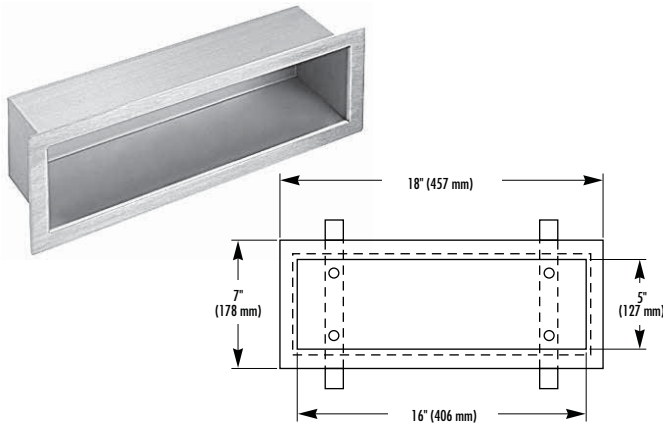
GRAB BAR



BX MODEL SA70

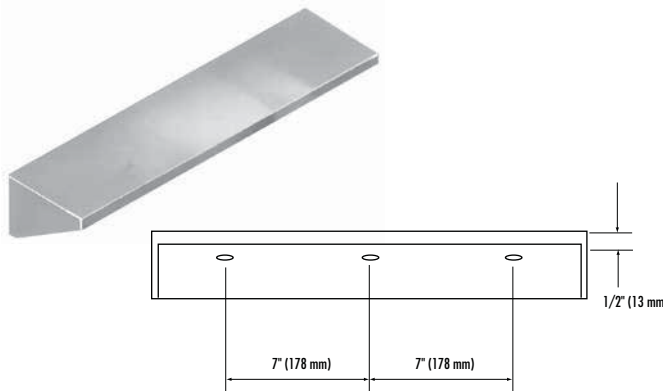
Heavy-duty stainless steel tubing 1½" (38 mm) O.D. with welded stainless steel mounting flanges. Meets or exceeds the requirements of ANSI Standard A117.1, the ADA and ABA Accessibility Guidelines for Buildings and Facilities (ADAAG) and the Uniform Federal Accessibility Standard (UFAS). Exposed front mounting with torx-head screws with **welded stainless steel closure plate**.

BOOKSHELVES



MODEL SA47 Chase-Mounted

Chase mounted, recessed shelf is fabricated of heavy-duty stainless steel with exposed surfaces in satin finish. Threaded studs are provided for rear mounting to specified wall thickness. Unit measures 16" W x 5" H x 4" D with 18" x 7" flange.



MODEL SA49 Chase-Mounted

Security, recessed shelf fabricated of heavy-duty stainless steel with exposed surfaces in architectural satin finish. All welds are ground smooth with polished corners and burr-free edges. Back of shelf has welded anchor nuts to receive threaded studs (provided).

Unit measures 16" W x 2⁹/₁₆" H.
Projects 4" (102 mm) from wall.



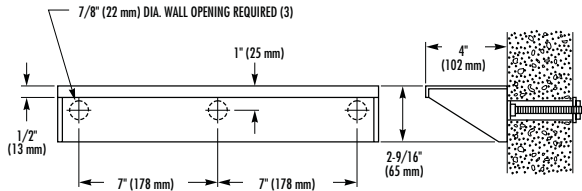


MODEL SA50 Chase-Mounted

Chase mounted, security shelf with toothbrush slots. Fabricated of heavy-duty stainless steel in architectural satin finish. Four slots for toothbrushes. Threaded studs are provided for rear mounting to specified wall thickness.

Unit measures 18" W x 2⁹/₁₆" H.

Projects 4" (102 mm) from wall.



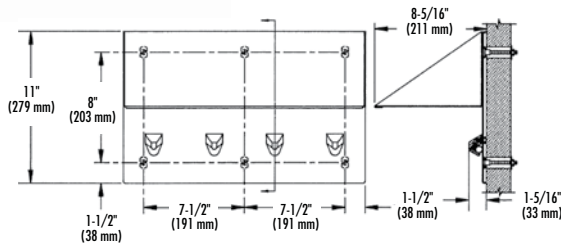
MODEL SA51 Chase-Mounted (shown)

MODEL SA52 Front-Mounted

Security bookshelf with clothes hooks fabricated of heavy-duty stainless steel with exposed surfaces in architectural satin finish. All seams are welded and ground smooth. Shelf interior is glass blasted to a uniform finish. Safety hooks fabricated of bright, chrome-plated brass housing with stainless steel ball and spring. Friction mechanism releases when excessive force is applied.

Unit measures 18" W x 11" H.

Projects 8⁵/₁₆" (211 mm) from wall.



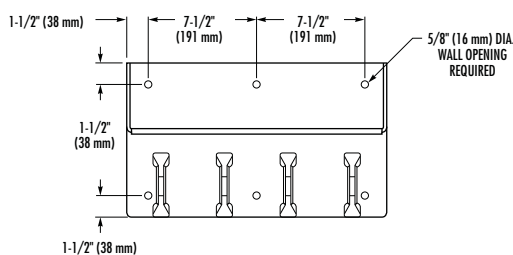
MODEL SA53 Chase-Mounted (shown)

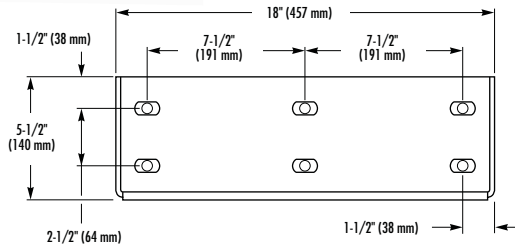
MODEL SA54 Front-Mounted

Security bookshelf with clothes hooks. Shelf and backplate are fabricated of heavy-duty stainless steel with architectural satin finish. Shelf interior is glass-blast satin finish. Bracket is fabricated of heavy-duty stainless steel with stainless steel hooks. Threaded studs are provided for rear mounting to specified wall thickness.

Unit measures 18" W x 11" H.

Projects 8" (203 mm) from wall.





MODEL SA55 Chase-Mounted (shown)

MODEL SA56 Front-Mounted

Security bookshelf fabricated of heavy-duty stainless steel with exposed surfaces in architectural satin finish. All seams are welded and ground smooth. Shelf interior is glass-bead blast finish. Backplate on rear-mounted unit has welded anchor nuts to receive threaded studs (provided).

Unit measures 18" W x 5 1/2" H.

Projects 8" (203 mm) from wall.

SECURITY MIRRORS

MODEL SA01, SA03

Security mirror frame fabricated of 14-gauge stainless steel. Reinforced with fiberboard backing. Chase mounted with welded anchor nuts on back of frame. Furnished with 1/4"-20 threaded studs cut to length for specified wall thickness. Designed for areas where ordinary mirrors are subject to breakage or theft, or can be used as weapons.

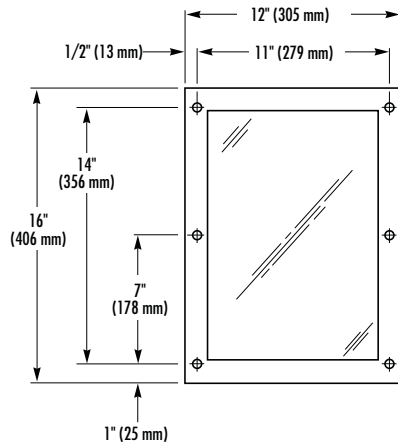
Unit measures 12" W x 16" H.

MODEL SA03

Front mounted furnished with vandal-resistant, torx-head machine screws.

REFLECTIVE SURFACES

- 1 20-gauge, 300 series stainless steel polished to a No. 8 architectural finish.
- 2 20-gauge, 400 series stainless steel with bright annealed finish.
- 5 Plexiglas® mirror.

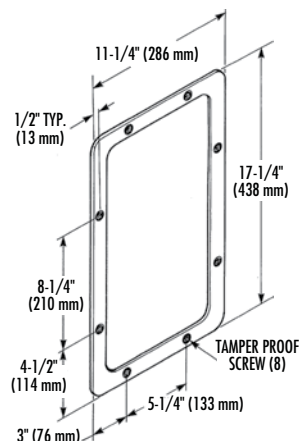


MODEL SA05 (shown), SA06

Integral frame security mirror fabricated of stainless steel polished to No. 8 architectural bright finish. Counter-sunk holes for mounting. Furnished with 1/4" (6 mm) tamper-resistant machine screws. Designed for areas where ordinary mirrors are subject to breakage or theft, or can be used as weapons.

Unit measures 11 1/4" W x 17 1/4" H.

MODEL SA06 Unit measures 10 1/16" W x 11 9/16" H.

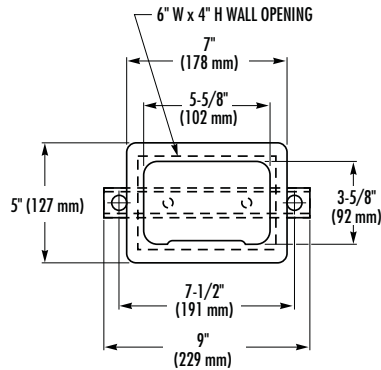


SOAP DISHES

MODEL SA16

Chase-mounted, recessed soap dish fabricated of heavy-duty stainless steel with exposed surfaces in architectural satin finish. Rim of dish is beveled to insure tight fit to wall surface. Threaded studs are provided for rear chase mounting to specified wall thickness.

Unit measures 5⁵/₈" W x 3⁵/₈" H x 2³/₄" D with 5" x 7" flange.

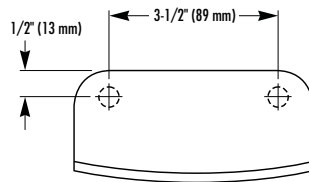


MODEL SA21, SA22

Soap dish fabricated of heavy-duty stainless steel in architectural satin finish. Formed from single-piece stainless steel with three drain holes.

MODEL SA21 Chase-Mounted Soap dish has welded anchor nuts to receive 1/4"-20 provided studs. Nuts and washers included.

MODEL SA22 Front-Mounted (shown) Soap dish supplied with 1/4"-20 x 1 1/2" L torx-head machine screws for installation to wall anchors.

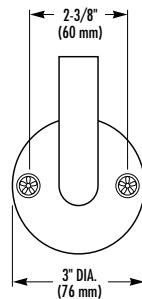


TISSUE HOLDERS

MODEL SA09 Chase-Mounted

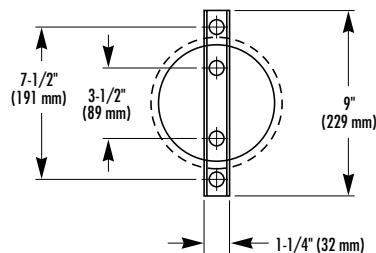
MODEL SA10 Front-Mounted (shown)

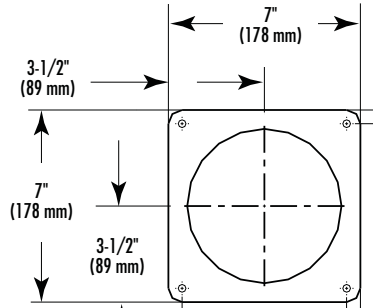
Security toilet tissue holder is fabricated of heavy-duty, seamless stainless steel tubing with architectural satin finish. Stainless steel end cap is welded and ground smooth.



MODEL SA11

Chase-mounted, recessed, roll toilet tissue holder is one-piece, drawn stainless steel, seamless construction, 4⁵/₁₆" (110 mm) deep, 5¹/₂" (140 mm) inside diameter. Roll will project if contraband is concealed behind tissue. Threaded studs are provided for rear mounting to specified wall thickness.

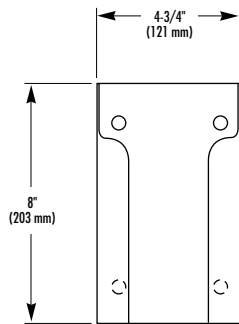




BX **MODEL SA12**

Front-mounted, recessed, roll toilet tissue holder is one-piece, drawn construction with welded front flange plate. Unit is $4\frac{5}{16}$ " (110 mm) deep, $5\frac{1}{2}$ " (140 mm) inside diameter. Roll will project if contraband is concealed behind tissue.

Unit measures 7" W x 7" H x $4\frac{1}{2}$ " D.



MODEL SA13 Chase-Mounted

MODEL SA14 Front-Mounted (shown)

MODEL SA15 Partition-Mounted (for 1" (25 mm) thick partitions)

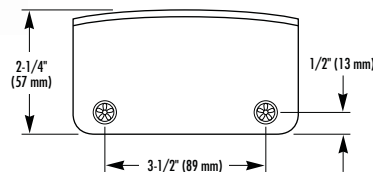
Security toilet tissue holder is fabricated of heavy-duty, seamless stainless steel with exposed surfaces in architectural satin finish. Interior is satin-gloss blast finish. All welds and edges are ground smooth and corners are rounded.

Unit measures $4\frac{3}{4}$ " W x 8" H.

Projects $2\frac{3}{4}$ " (70 mm) from wall.



TOOTHBRUSH HOLDERS



MODEL SA25 Chase-Mounted

MODEL SA26 Front-Mounted (shown)

Security toothbrush holder fabricated of heavy-duty stainless steel with exposed surfaces in architectural satin finish. Formed from single piece of stainless steel. Holds 4 toothbrushes.

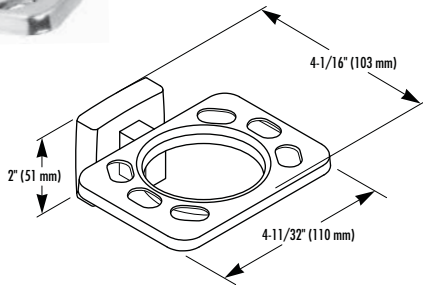
Unit measures 5" W x $2\frac{1}{4}$ " H.

Projects $2\frac{13}{16}$ " (71 mm) from wall.



Bradley offers quality crafted accessories for hotel washrooms and showers. Sturdy, stainless steel construction provides years of dependable service. Attractive, streamlined design works well with contemporary or traditional styling. Available in a variety of finishes to complement any hotel decor.

TOOTHBRUSH HOLDERS

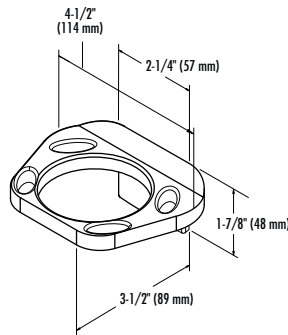


BX **MODEL 9044 Satin Finish**

MODEL 9045 Bright Polish Finish

Surface-mounted stainless steel tumbler and toothbrush holder. Concealed mounting plate with set screw.

Unit measures 4¹¹/₃₂" W x 4¹/₁₆" D.



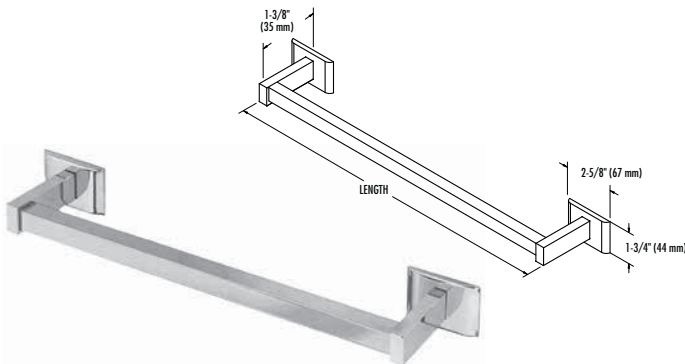
MODEL 924 Chrome-plated Zamac

Surface-mounted tumbler and toothbrush holder.

Concealed mounting plate with set screw.

Unit measures 4¹/₂" W x 3¹/₂" D.

TOWEL BARS & SHELVES

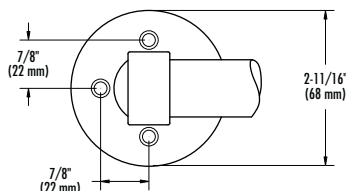


MODEL 907 Chrome Plated Brass

Towel bar. Snaps over concealed mounting plate.

Unit available in 18," 24" and 36" (457 mm, 610 mm and 914 mm) widths.

Projects 1³/₈" (35 mm) from wall.



MODEL 908 Satin Finish

Heavy-duty, surface-mounted, round towel bar. Support posts are chrome-plated brass with satin finish. Bar is satin finish stainless steel, 1" (25 mm) O.D.

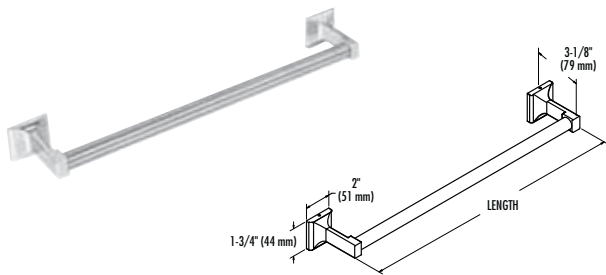
Unit available in 18," 24" and 30" (457 mm, 610 mm and 762 mm) widths.

Projects 3¹/₄" (83 mm) from wall.



-24 24" (610 mm) Length



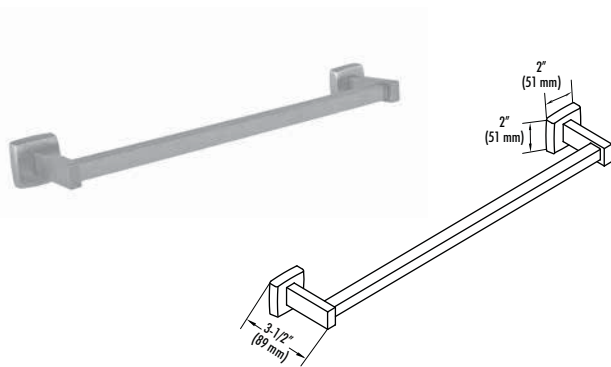


MODEL 926 Chrome-plated Zamac

Surface-mounted, $\frac{3}{4}$ " (19 mm) round towel bar. Concealed mounting plate with set screw.

Unit available in 18" and 24" (457 mm and 610 mm) widths.

Projects $\frac{3}{8}$ " (79 mm) from wall.



BX MODEL 9054 Satin Finish

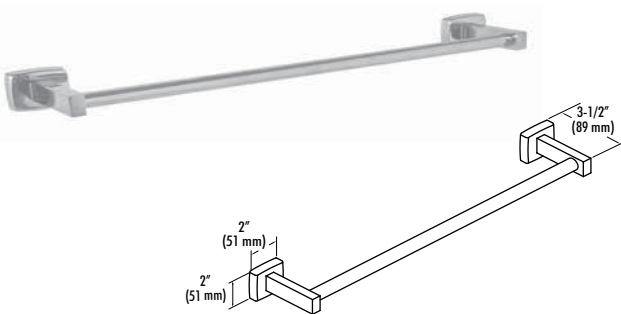
BX MODEL 9055 Bright Polish Finish

Surface-mounted stainless steel, $\frac{3}{4}$ " (19 mm) square towel bar. Concealed mounting plate with set screw.

Units available in 18," 24" and 30"* (457 mm, 610 mm and 762 mm) widths.

Projects 3" (76 mm) from wall.

* 30" (762 mm) not available for **Bradex** shipment.



BX MODEL 9065 Satin Finish

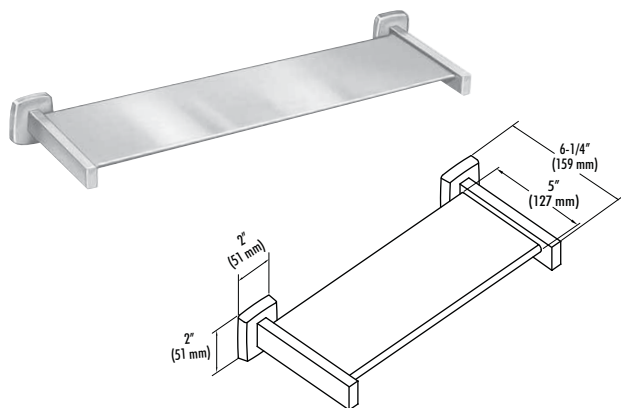
BX MODEL 9066 Bright Polish Finish

Surface-mounted stainless steel, $\frac{3}{4}$ " (19 mm) round towel bar. Concealed mounting plate with set screw.

Units available in 18," 24" and 30"* (457 mm, 610 mm and 762 mm) widths.

Projects 3" (76 mm) from wall.

* 30" (762 mm) not available for **Bradex** shipment.



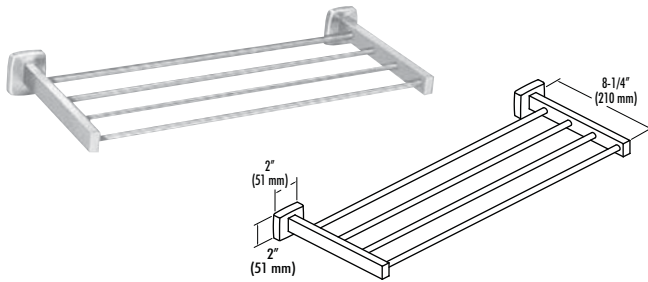
MODEL 9094 Satin Finish

MODEL 9095 Bright Polish Finish (shelf is satin finish)

Surface-mounted stainless steel, 5" (127 mm) D shelf. Concealed mounting plate with set screw.

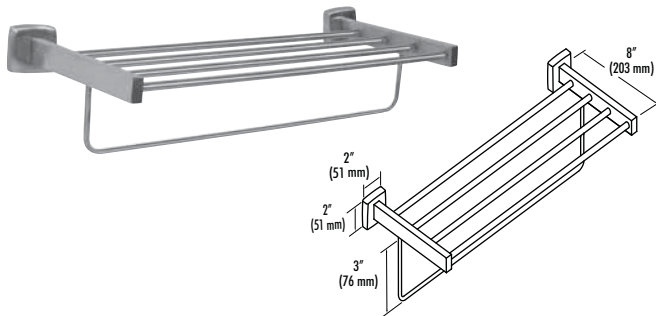
Units available in 18" or 24" (457 mm and 610 mm) widths.

Projects $6\frac{1}{4}$ " (159 mm) from wall.

**MODEL 9104 Satin Finish****MODEL 9105 Bright Polish Finish**

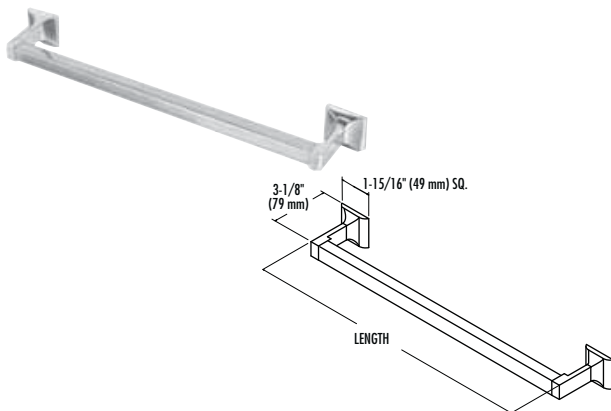
Surface-mounted stainless steel, 8" (203 mm) D towel shelf. Concealed mounting plate with set screw.

Units available in 18" or 24" (457 mm and 610 mm) widths.

**MODEL 9104-90 Satin Finish****MODEL 9105-90 Bright Polish Finish**

Surface-mounted stainless steel, 8" (203 mm) D towel shelf with towel bar. Concealed mounting plate with set screw.

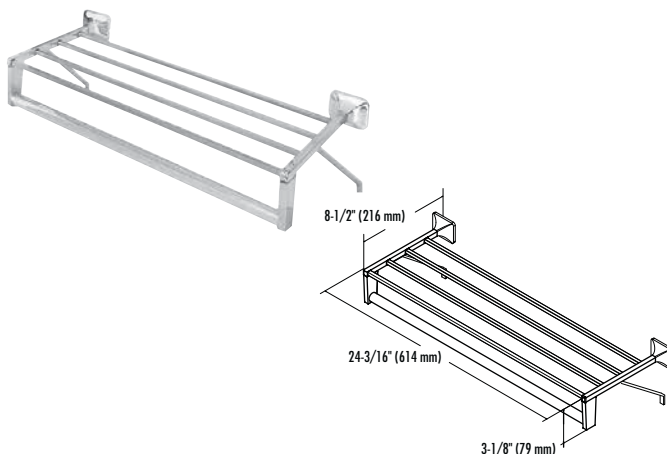
Units available in 18" or 24" (457 mm and 610 mm) widths.

**BX MODEL 927 Chrome-plated Zamac**

Surface-mounted, $\frac{3}{4}$ " (19 mm) square towel bar. Concealed mounting plate with set screw.

Unit available in 18" and 24" (457 mm and 610 mm) widths.

Projects $3\frac{1}{8}$ " (79 mm) from wall.

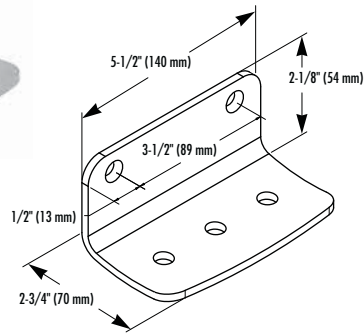
**MODEL 9301 Chrome-plated Zamac**

Surface-mounted, 8 $\frac{1}{2}$ " (216 mm) deep towel shelf with towel bar and support braces. Concealed mounting plate with set screw.

Unit available in 18" or 24" (457 mm and 610 mm) widths.



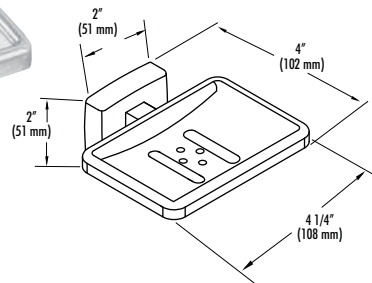
SOAP DISHES



BX **MODEL 900** Satin Finish

Surface-mounted stainless steel, extra heavy-duty, 7-gauge soap dish with drain holes. Satin finish.

Unit measures 5 1/2" W x 2 1/8" H x 2 3/4" D.



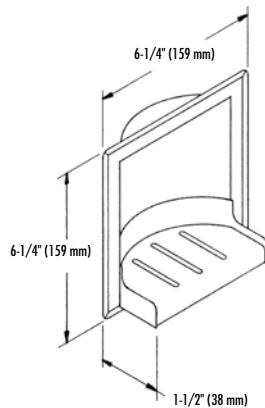
BX **MODEL 9014** Satin Finish

BX **MODEL 9015** Bright Polish Finish

Surface-mounted stainless steel soap dish with drain holes. Concealed mounting plate with set screw.

Unit measures 4 1/4" W x 4" D.

-63 Without Drain Holes

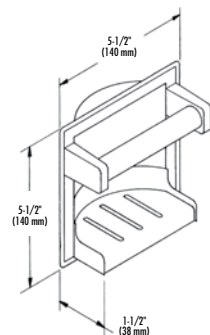


MODEL 9352 Bright Polish Finish

MODEL 9353 Satin Finish

Recess-mounted stainless steel soap dish. Plastic soap tray.

Rough wall opening 5 1/4" W x 5 1/4" H x 2" D.



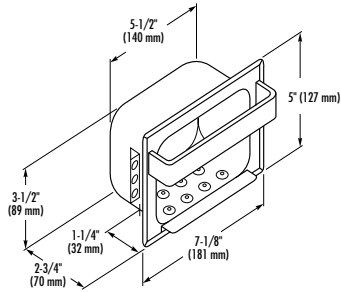
MODEL 9362 Bright Polish Finish Stainless Steel

MODEL 9363 Satin Stainless Steel

Recess-mounted soap dish. Heavy, clear-plastic soap tray.

MODEL 9362 & 9363 Rough wall opening 5 1/4" W x 5 1/4" H x 2" D.

-55 Back Clamp for Drywall Mounting



MODEL 940 Satin Finish

Recess-mounted stainless steel soap dish. Unit anchors in masonry walls with mortar lugs.

Rough wall opening $6\frac{1}{4}$ " W x $4\frac{1}{4}$ " H x $2\frac{3}{4}$ " D.

MODEL 9402 Unit with back clamp for drywall mounting.



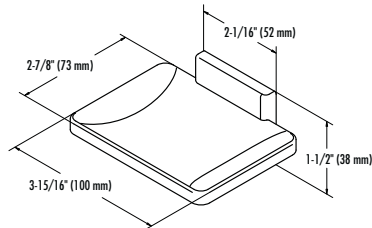
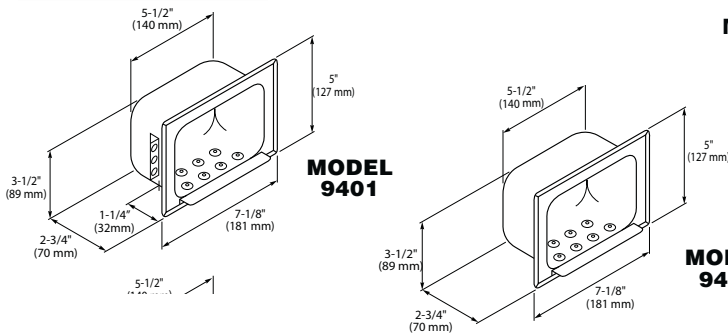
MODEL 9401 with Mortar Lugs

BX MODEL 9403 with Wall Clamp

Recess-mounted stainless steel soap dish.

Rough wall opening $6\frac{1}{4}$ " W x $4\frac{1}{4}$ " H x $2\frac{3}{4}$ " D.

MODEL 9403-96 Unit without drip lip.

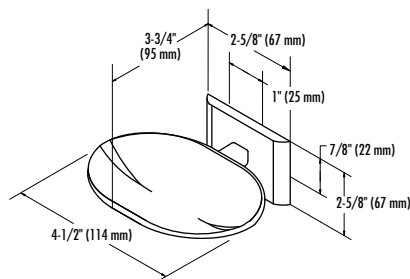


MODEL 921 Chrome-plated Zamac

MODEL 921-60 with Drain Holes

Surface-mounted soap dish. Concealed mounting plate with set screw.

Unit measures $3\frac{15}{16}$ " W x $2\frac{7}{8}$ " D.

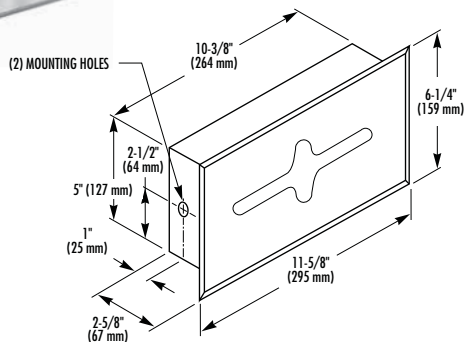
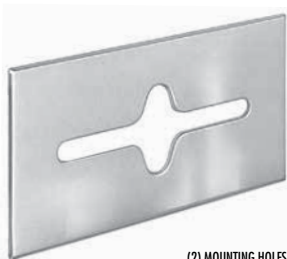


MODEL 901 Chrome Plated Brass

MODEL 901-60 with Drain Holes

Soap dish. Snaps over concealed mounting plate.

FACIAL TISSUE DISPENSERS



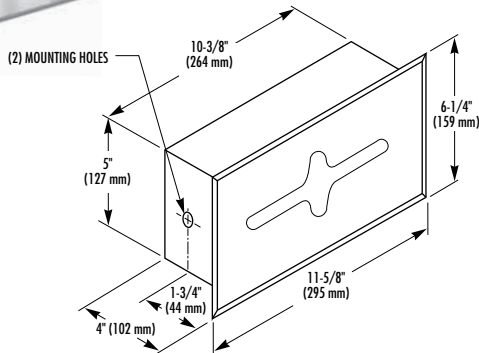
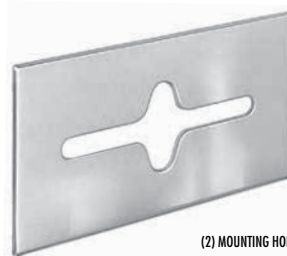
MODEL 987 Satin Finish

Recess-mounted facial tissue dispenser fabricated of stainless steel with exposed surfaces in satin finish. Rolled rim on face plate opening. Holds one box of 100 tissues.

Unit measures 11⁵/₈" W x 6¹/₄" H x 2⁵/₈" D.

MODEL 987-78 Polished Stainless Steel Finish

See bradleycorp.com for exact dimensions of each model.

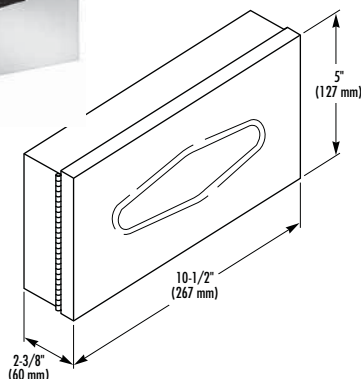


BX MODEL 987-36 Satin Finish

Recess-mounted, large-capacity facial tissue dispenser fabricated of stainless steel with exposed surfaces in satin finish. Holds one box of 300 tissues.

Rough wall opening 10³/₄" W x 5¹/₈" H x 4" D.

See bradleycorp.com for exact dimensions of each model.



MODEL 987-11 Satin Finish

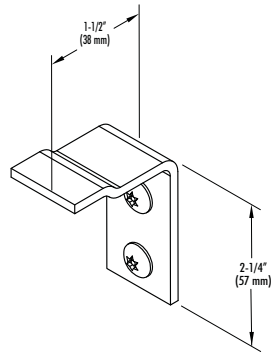
Surface-mounted facial tissue dispenser fabricated of stainless steel with exposed surfaces in satin finish. Holds one box of 100 tissues.

Unit measures 10¹/₂" W x 5" H x 2³/₈" D.

See bradleycorp.com for exact dimensions of each model.

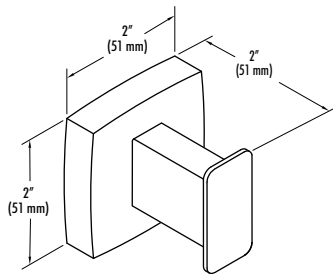


HOOKS

**MODEL 9111 Satin Finish**

Surface-mounted stainless steel clothes hook.
Exposed mounting.

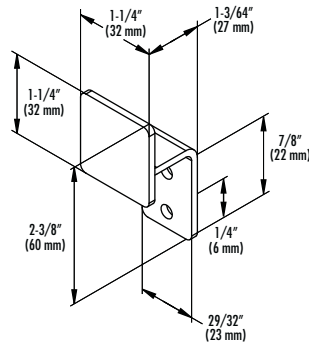
Projects 1½" (38 mm) from wall.

**BX MODEL 9114 Satin Finish****BX MODEL 9115 Bright Polish Finish**

Surface-mounted stainless steel, single robe hook. Concealed mounting plate with set screw.

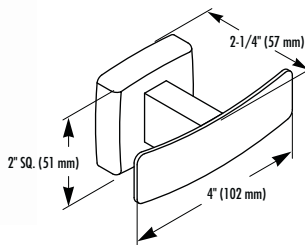
Units measure 2" W x 2" H.

Projects 2" (51 mm) from wall.

**BX MODEL 917 Satin Finish**

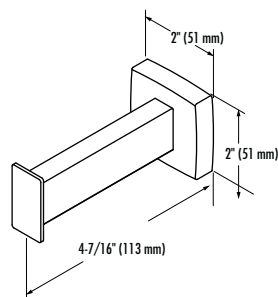
Surface-mounted stainless steel, single robe hook.
Exposed mounting.

Projects 1⅛" (29 mm) from wall.

**BX MODEL 9124 Satin Finish****BX MODEL 9125 Bright Polish Finish**

Surface-mounted stainless steel, double robe hook. Concealed mounting plate with set screw.

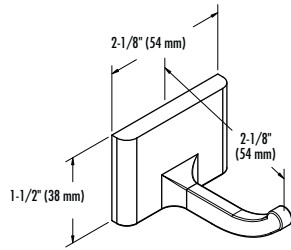
Projects 2¼" (57 mm) from wall.

**BX MODEL 9314 Satin Finish****MODEL 9315 Bright Polish Finish**

Surface-mounted stainless steel towel hook. Concealed mounting plate with set screw.

MODEL 9314 Projects 47/16" (113 mm) from wall.

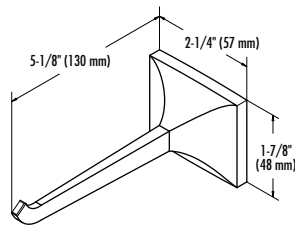
MODEL 9315 Projects 41/8" (105 mm) from wall.



MODEL 931 Chrome-plated Zamac

Surface-mounted, single robe hook. Concealed mounting plate with set screw.

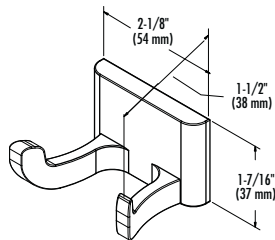
Projects 2 1/8" (54 mm) from wall.



MODEL 9311 Chrome-plated Zamac

Surface-mounted towel hook. Concealed mounting plate with set screw.

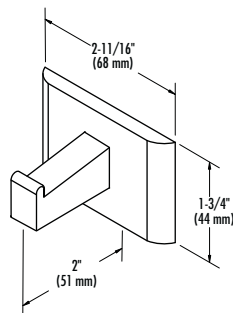
Projects 5 1/8" (130 mm) from wall.



BX MODEL 932 Chrome-plated Zamac

Surface-mounted, double robe hook. Concealed mounting plate with set screw.

Projects 1 1/2" (38 mm) from wall.

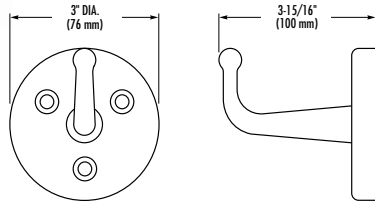


MODEL 911 Chrome-plated Brass

Single robe hook. Snaps over concealed mounting plate.

Projects 2" (51 mm) from wall.





BX **MODEL 9118 Exposed Mounting**

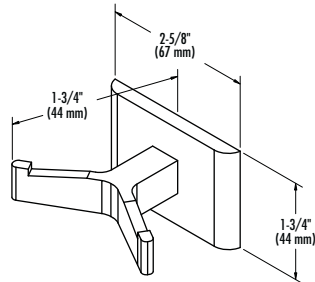
BX **MODEL 9119 Concealed Mounting**

Robe hook constructed of forged brass with bright chrome finish.

Unit measures 3" (76 mm) in diameter.

Projects 3¹⁵/₁₆" (100 mm) from wall.

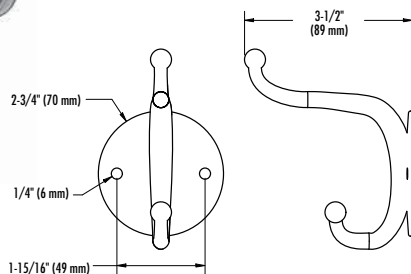
BX **-81 Satin Chrome-Plated Brass**



BX **MODEL 912 Chrome-plated Brass**

Double robe hook. Snaps over concealed mounting plate.

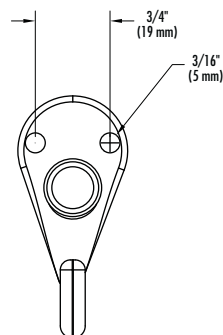
Projects 1³/₄" (44 mm) from wall.



MODEL 914 Chrome-plated Brass

Double hook. Exposed fasteners. Unit measures 2³/₄" in diameter.

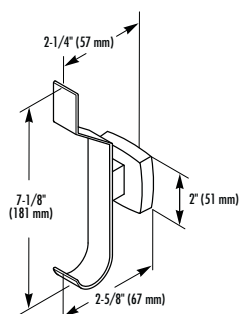
Projects 1¹/₂" (38 mm) and 3¹/₂" (89 mm) from wall.



BX **MODEL 915 Chrome-plated Brass**

Hook and bumper. Exposed fasteners.

Projects 3" (76 mm) from wall.



BX **MODEL 9134 Satin Finish**

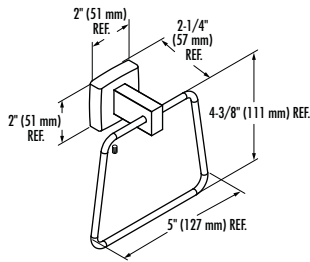
BX **MODEL 9135 Bright Polish Finish**

Surface-mounted stainless steel, combination hat and coat hook. Concealed mounting plate with set screw.

Projects 2⁵/₈" (67 mm) from wall.



TOWEL RINGS

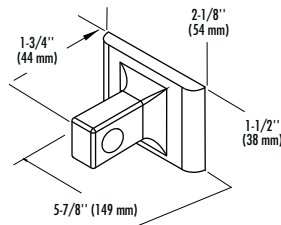


MODEL 9334 Satin Finish

BX **MODEL 9335 Bright Polish Finish**

Surface-mounted stainless steel towel ring. Concealed mounting plate with set screw.

Projects $2\frac{3}{8}$ " (60 mm) from wall.



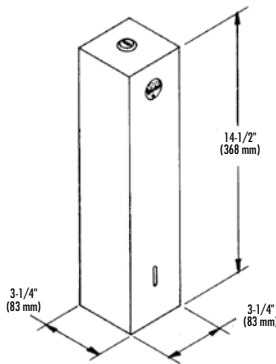
MODEL 934 Chrome-plated Zamac

Surface-mounted towel ring. Concealed mounting plate with set screw.

Projects $1\frac{3}{4}$ " (44 mm) from wall.



MISCELLANEOUS



MODEL 9495

Surface-mounted cup dispenser. Fabricated of 22-gauge stainless steel with exposed surfaces in architectural satin finish. Cabinet hinged at bottom and secured with tumbler lock on top. Holds 150 - 3 oz (89 ml) cups. Also accommodates 7 oz (207 ml) cups.

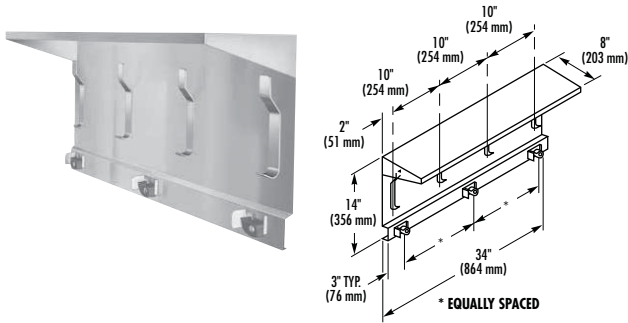
Unit measures $3\frac{1}{4}$ " W x $14\frac{1}{2}$ " H x $3\frac{1}{4}$ " D.



MODEL 947

Surface-mounted retractable clothesline. Constructed of heavy-gauge No. 8 bright polished stainless steel. Cord length is 6' (1.83 M).

Bradley offers a variety of hook, holder and shelf combinations to organize custodial equipment. Different configurations are available to fit any need or any space. Welded stainless steel construction stands up to tough use. Available in architectural satin finish.



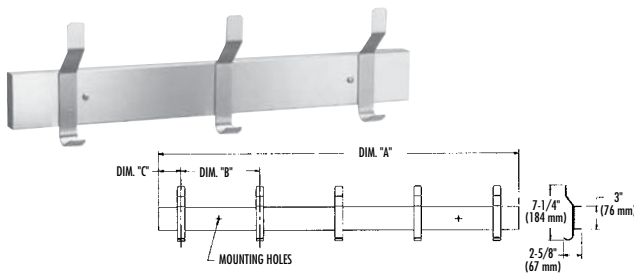
BX MODEL 9933

One-piece construction with welded gusset and hooks. Mop and broom holders consist of spring-activated rubber cams on plated-steel retainers.

Unit measures 14" H x 34" L. Shelf projects 8" (203 mm) from wall.

Has 4 hooks and 3 holders.

MODEL 9934 Unit 44" (1118 mm) L, has 5 hooks and 4 holders.



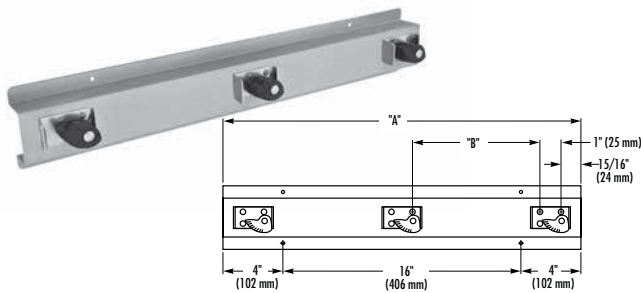
BX MODEL 9943

Unit measures 7 1/4" H x 24" L. Projects 2 1/4" (57 mm) from wall. Has 3 hooks.

MODEL 9944 Unit 36" (914 mm) L, has 4 hooks.

MODEL 9945 Unit 48" (1219 mm) L, has 5 hooks.

MODEL 9946 Unit 60" (1524 mm) L, has 6 hooks.



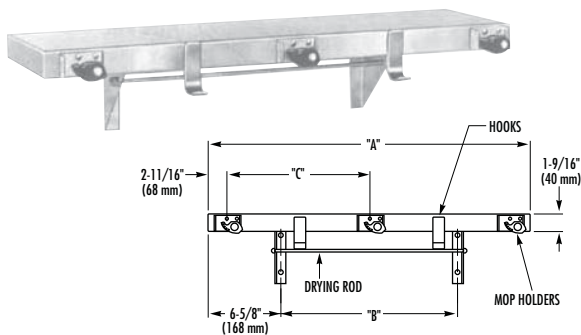
BX MODEL 9953

Surface-mounted mop and broom holder. Fabricated of satin-finish stainless steel. Mop and broom holders consist of spring-activated rubber cams on plated-steel retainers.

Unit measures 4" H x 24" L. Projects 2 3/4" (70 mm) from wall. Has 3 holders.

BX MODEL 9954 Unit 36" (914 mm) L, has 4 holders.

MODEL 9955 Unit 48" (1219 mm) L, has 5 holders.



MODEL 9983

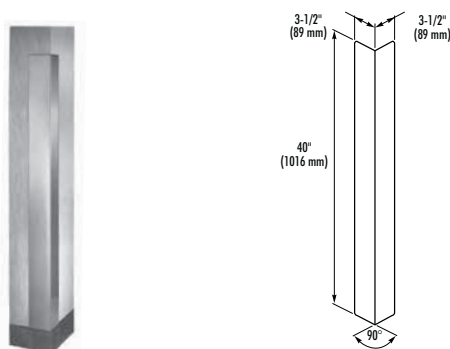
Surface-mounted utility shelf with drying rod. Fabricated of satin-finish stainless steel. Mop and broom holders of spring-activated rubber cams on plated-steel retainers.

Unit measures 30" L x 8" D. Has 2 hooks and 3 holders.

BX MODEL 9984 Unit 36" (914 mm) L, has 3 hooks and 4 holders.

MODEL 9985 Unit 42" (1067 mm) L, has 4 hooks and 5 holders.

MODEL 9986 Unit 48" (1219 mm) L, has 5 hooks and 6 holders.



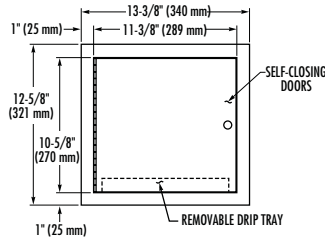
MODEL 991 Corner Guard

Fabricated of stainless steel with exposed surfaces in architectural satin finish. Exposed surfaces are rounded. No sharp corners. Secured to wall with special adhesive backing.

Unit measures 3 1/2" W x 40" H.

HEALTH CARE UNITS

Hygiene, durability and safety are featured in Bradley's hospital/patient care line. Fabricated of stainless steel for continuous, trouble-free use.

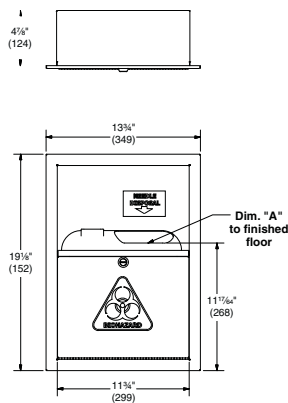


BX MODEL 9813

Specimen pass-thru cabinet. Self-closing doors with stainless steel piano hinges and chrome-plated brass knobs. Interlock mechanism prevents both doors from being open at the same time. Equipped with seam-soldered spill tray.

Rough wall opening 11 5/8" W x 10 7/8" H.

Flanges adjust from 3 1/2" (89 mm) to 5 1/2" (140 mm) wall thickness.



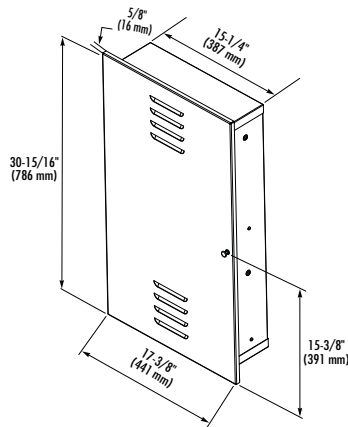
MODEL 989

Recessed needle disposal fabricated of stainless steel with exposed surfaces in satin finish. Door secured by piano hinge. Removable needle disposal with tumbler lock.

Rough wall opening 12" W x 17 3/8" H x 5" D.

MODEL 989-11 Surface-Mounted

Needle disposal not included

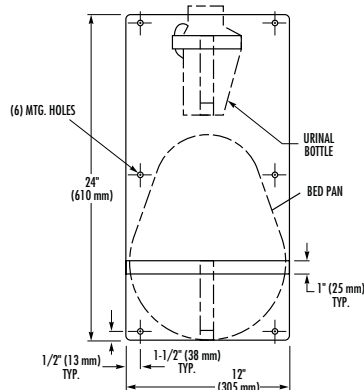


MODEL 990

Recess-mounted bedpan storage cabinet. Door has full-length piano hinge, magnetic catch, rodstop, chrome-plated brass knob and ventilation louvers. Interior rods and removable drip pan. Leak-proof bottom prevents leakage behind unit and into wall structure.

Rough wall opening 15 5/8" W x 29 1/16" H x 5" D.

MODEL 990-11 Surface-Mounted



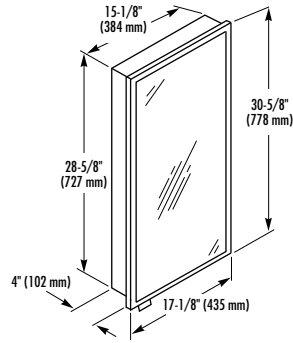
MODEL 9905

Surface-mounted bedpan and urinal storage unit. Fabricated of stainless steel with exposed surfaces in satin finish.

Unit measures 12" W x 24" H.

Projects 5 1/4" (133 mm) from wall.

Note: Bedpan and urinal not included.



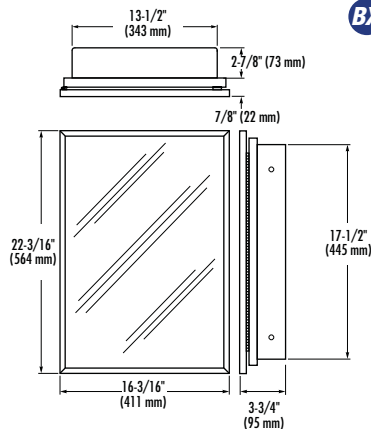
BX MODEL 175

Recess-mounted, stainless steel medicine cabinet. 1/4" (6 mm) thick mirrored door 17 1/8" W x 30 5/8" H and spring-buffered rodstop. Cabinet may be field inverted for left hand door swing. Three adjustable stainless steel shelves.

Rough wall opening 15 5/8" W x 29 1/8" H x 4" D.

-10 Semi-Recessed

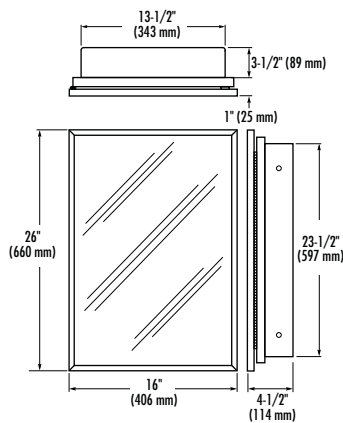
-11 Surface-Mounted



BX MODEL 9661

Recess-mounted medicine cabinet. Cabinet is fabricated of sturdy one-piece, white injection-molded polystyrene. Door is steel with baked-enamel finish. Door has full piano hinge and magnetic catch. Mirror frame of stainless steel. Two adjustable polystyrene shelves. Reversible to swing either left or right.

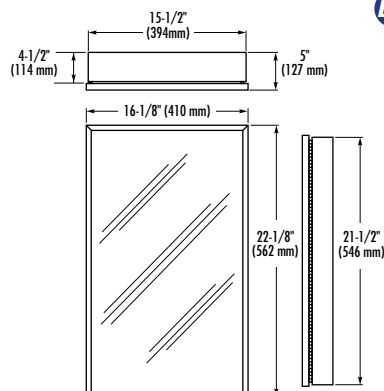
Rough wall opening 14" W x 18" H x 3" D.



BX MODEL 9663

Recess-mounted medicine cabinet. Seamless cabinet fabricated of one-piece, heavy drawn steel with baked-enamel finish. Mirror frame of stainless steel. Mirror of first-quality float glass, electro-copper-plated backed. Three adjustable prepainted metal shelves. Reversible for left or right hand swing.

Rough wall opening 14" W x 24" H x 3 5/8" D.



BX MODEL 9664

Surface-mounted medicine cabinet. Fabricated of heavy-gauge steel with baked-enamel finish. Mirror frame of stainless steel. Mirror of first-quality float glass, electro-copper-plated backed. Two removable metal shelves. Reversible for left or right hand swing.

Unit measures 16 1/4" W x 22 1/4" H x 5" D.

BRADMAR™

Fabricated from 30% pre-consumer or 100% post-consumer recycled high-density polyethylene (HDPE). No-Site™ style partitions with **no gap between the doors and pilasters** are available in Bradmar. Standard colors including speckled and solid colors with stainless steel shoes and aluminum wall brackets. Suited for humid and wet areas, and high-traffic or vandal-prone locations. Recommended for schools, parks, recreation centers. 15-year warranty.

HARDWARE: Heavy-duty aluminum.



PHENOLIC

Highly durable. Almost any Formica,® Arborite,® or Trespa color/pattern can be selected. Edges are solid black. Recommended for humid and wet areas. Resists water, oil, and bacteria. Withstands hose-down cleaning. Suited for outdoor parks, pools, shower rooms. 3-year warranty against delamination and discoloration.

HARDWARE: Heavy-duty, cast stainless steel, stamped stainless steel door hinges.



POWDER COATED

21 standard colors. High-quality gloss finish. Low cost. Recommended for office buildings, restaurants, religious institutions and environments less prone to vandals. 15-year warranty against rust-out.

HARDWARE: Heavy-duty, chromed Zamac.



FUSION GRANITE

Four colors of natural granite and three stainless steel finishes. Combines the natural beauty and durability of granite with the sleek style of stainless steel.



STAINLESS STEEL

High design and contemporary style. Soft brushed satin finish, 5WL textured or leather-grain patterns available. Textured patterns wrap around edges. Recommended for airports, stadiums, rest stops. 15-year warranty against rust-out.

HARDWARE: Heavy-duty, chromed Zamac.



SENTINEL™ OVERHEAD BRACED – SERIES 400

Overhead braced partitions provide the most economical solution for heavy-traffic and vandalism-prone areas. Because it requires no special floor or ceiling construction, installation is easy in new or old buildings. The anti-grip head rail provides outstanding rigidity.



FLOOR BRACED – SERIES 500

This style complements design with functional performance. Recommended for buildings with high ceilings, it enhances the effect of spaciousness. A minimum of 3" (76 mm) concrete construction is required for anchoring. This style is not available in Bradmar solid plastic.



CEILING HUNG – SERIES 600

Ideal for areas with low ceilings. Offering an area free from obstruction to allow for fast and easy maintenance, this system requires proper structural supports in the ceiling for maximum rigidity. Not recommended for ceiling heights over 8' (2.4M). This style is not available in Bradmar solid plastic.



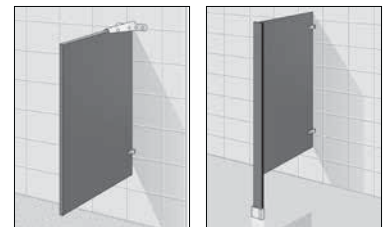
FLOOR-TO-CEILING – SERIES 700

Anchored at the floor and ceiling, main structural support can be provided by Series 500 or 600 mounting systems. Perfect for areas where additional support is required.



URINAL SCREENS

Wall-hung style provides economy and ease of maintenance while floor supported or floor-to-ceiling (not shown) screens offer extra stability for high-traffic areas.



SHOWER DIVIDERS

Available in Bradmar solid plastic, an advanced formula of high-density polyethylene (HDPE). Standard sized or customized to meet your facility layout, Bradmar shower dividers are available in multiple colors, including speckled and solid colors (see bradleycorp.com for complete list of colors). All Bradmar solid plastic products are covered by a 15-year warranty.



Design flexibility is a prime feature of Lenox® Lockers, offering countless options and configurations. Installation is simple. Lockers are shipped fully assembled and ready for attachment to the wall and each other.

Solid plastic lockers are formed of polymer resin with homogeneous color. Doors and frames are 1/2" (13 mm) thick, and sides, shelves, tops and bottoms are 3/8" (10 mm) thick. Locker box is one piece, all welded construction, providing outstanding rigidity and strength. Continuous latch bar runs the entire length of the door, providing a secure closure. Handle mechanism is capable of accepting a padlock and is securely fastened to the door. Stainless steel piano hinge is continuous and integrates into the full length of the door and main locker body.

20-year warranty against rust, delamination or breakage of any of the plastic components under normal use.

OPTIONS INCLUDE:

- Built-in Key Locks
- Built-in Combination Locks
- Coin-Operated Locks
- Card Locks
- Keypad Locks
- Combination Padlocks
- End Panels
- Solid Plastic Bases
- Slope Tops
- Colored Flat Tops
- Mesh Doors
- Engraved Logos
- Number Plates
- Plastic Coat Hooks
- Coat Rods
- Wall Hooks
- Fillers
- Mirrors



Z-LOCKER

Z-Locker design provides practical multi-tiered storage without wasting valuable floor space or compromising customer satisfaction. Double your locker availability while still providing clients with hanging space to keep garments wrinkle free.



CUBBY LOCKER

The easy-access cubby locker is perfect for items that do not require locked storage. The durable cubby is shipped fully assembled and can reduce installation costs by up to 50 percent.

Note:
Three cubby lockers shown.



LOCKER BENCH

The 1" (25 mm) thick bench top is smooth, seamless and oversized. The 20" (508 mm) locker underneath provides valuable additional storage space. Available in 3' (0.9 M) through 6' (1.8 M) lengths.



CUBBY BENCH

Convenient seating and easy-access storage in one. Space-saving solution available in 12 colors. Shipped fully assembled.



PEDESTAL BENCH

The bench top is 1 1/2" (38 mm) thick and available in 36" (914 mm) to 96" (2438 mm) in one-foot increments. Pedestals are black anodized aluminum. **ADA-compliant height is 18 1/2" (470 mm).**

9 1/2," 12," 18" and 24" (241 mm, 305 mm, 457 mm and 610 mm) widths available.



GEAR LOCKERS

Wider and deeper than standard lockers, Lenox Gear Lockers provide maximum storage and maximum durability with the best lead time and best warranty available!



STAINLESS STEEL

Stainless Steel is a low-carbon steel that contains chromium. The addition of chromium gives the steel its unique corrosion-resisting properties. It is extremely durable, resists corrosion, and stands up to many chemicals.



Despite the fact that stainless steel surfaces are generally non-tarnishing, they are not stain or rust proof. Stainless steel must be kept clean and free from contaminants. Frequent cleaning with mild soap and water or glass cleaner and a cotton cloth is required. Any discoloration or corrosion (commonly caused by contact with harsh cleaner, muriatic acid or bleach solutions) should be removed as soon as possible or permanent discoloration and pitting of the surface could occur. Most discoloration can be removed with a mild cleanser or stainless steel cleaner and a Scotchbrite® pad. The surface should then be thoroughly rinsed with clear water. With proper maintenance, stainless steel will maintain its luster and appearance indefinitely.

MIRRORS

Bradley mirrors are fabricated from heavy-gauge stainless steel frames and plate glass or an alternative reflective surface. The frame can be cared for by following the general stainless steel maintenance instructions above. Reflective surfaces can be cleaned with any standard non-abrasive glass cleaner and a soft cloth. Care must be taken to avoid allowing the cleaner to run down the surface of the mirror and collect in the frame. If allowed to continue, this could lead to premature silver spoilage and spotting on stainless steel.



SOAP DISPENSERS

Bradley soap dispensers provide dependable, consistent operation over the long term when the proper soap is used and when a minimal amount of periodic maintenance is performed on the valves. Soaps satisfying these basic guidelines will provide consistent flow and reduce clogs.

Soap thickness is determined by a measurement called viscosity. Soap viscosity should be between 100 cps (centerpoise) and 2500 cps for all Bradley soap dispensers. The pH (acid) level of soaps that will perform consistently should be in the range of 6.5 to 8.5. More acidic soaps (pH levels lower than 6.5) will corrode metal parts (even stainless steel) and degrade rubber and plastic components. Most inexpensive soaps (typically the pink lotion type) fall into this acidic category and will eventually cause valve failure and metal corrosion. PCMX or Isopropanol-based antibacterial soaps (within viscosity and pH limits) will also work with Bradley dispensers.

Valves must also be maintained (cleaned) to function properly. At the very minimum, hot water should be pumped through valves periodically to clear out soap residue. Ideally valves should occasionally be soaked for 30 minutes in hot water or a soap valve cleaning solution. With proper maintenance and soap, Bradley dispensers will provide long-term, trouble-free operation.



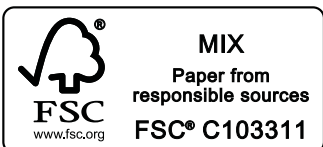
INDEX

| MODEL NO. | PAGE | | PAGE | | PAGE |
|-----------|------|----------|------|-------------|--------|
| 155 | 14 | 377-36 | 20 | 781 | 39 |
| 175 | 83 | 377-3637 | 20 | 782 | 40 |
| 198 | 15 | 377-37 | 20 | 790 | 42 |
| 2A00 | 21 | 377-3738 | 20 | 812 | 5 |
| 2A01 | 21 | 377-38 | 20 | 817 | 5 |
| 2A02 | 21 | 4A00 | 53 | 832 | 5 |
| 2A09 | 21 | 4A10-11 | 53 | 837 | 5 |
| 2A10-11 | 21 | 4A11 | 53 | 852 | 5 |
| 2A05 | 27 | 4A20 | 55 | 900 | 74 |
| 2A15-36 | 27 | 401 | 55 | 901 | 75 |
| 2A25-36 | 27 | 407 | 55 | 901-60 | 75 |
| 2A95-36 | 27 | 5A00 | 43 | 907 | 71 |
| 225 | 29 | 5A10 | 43 | 908 | 71 |
| 227 | 30 | 5A20 | 43 | 911 | 78 |
| 229 | 30 | 5A40-11 | 52 | 912 | 79 |
| 234 | 31 | 505 | 44 | 914 | 79 |
| 234-35 | 31 | 508 | 45 | 915 | 79 |
| 234-65 | 31 | 508-32 | 45 | 917 | 77 |
| 235 | 31 | 510 | 47 | 921 | 75 |
| 236 | 32 | 515 | 48 | 921-60 | 75 |
| 237 | 32 | 522 | 44 | 924 | 71 |
| 237-35 | 32 | 523 | 45 | 926 | 72 |
| 237-65 | 32 | 582 | 52 | 927 | 73 |
| 238 | 32 | 583 | 52 | 931 | 78 |
| 244 | 22 | 584 | 52 | 932 | 78 |
| 247 | 23 | 591 | 49 | 934 | 80 |
| 250-15 | 25 | 592 | 49 | 940 | 75 |
| 250W-15 | 25 | 594 | 50 | 947 | 80 |
| 251-15 | 26 | 6A00-11 | 33 | 953 | 62 |
| 252 | 26 | 643 | 33 | 953-4 | 62 |
| 259 | 26 | 644 | 33 | 954 | 57 |
| 270 | 32 | 646 | 33 | 957 | 60 |
| 3A05 | 16 | 648 | 35 | 958 | 60 |
| 3A15-11 | 16 | 650 | 35 | 961 | 56 |
| 315-35 | 17 | 655 | 35 | 962 | 56 |
| 334 | 17 | 657 | 35 | 962-11 | 56 |
| 344 | 18 | 658-30 | 36 | 987 | 76 |
| 344-35 | 18 | 661 | 36 | 987-11 | 76 |
| 344-65 | 18 | 662 | 36 | 987-36 | 76 |
| 346 | 18 | 740 | 40 | 987-78 | 76 |
| 355 | 18 | 747 | 41 | 989 | 82 |
| 355-35 | 18 | 747F | 41 | 989-11 | 82 |
| 356 | 19 | 748 | 41 | 990 | 82 |
| 356-35 | 19 | 755 | 42 | 990-11 | 82 |
| 357 | 19 | 756 | 42 | 991 | 81 |
| 357-35 | 19 | 758 | 42 | 1471 | 14 |
| 359 | 19 | 760 | 42 | 1981 | 15 |
| 377 | 20 | 780 | 39 | 1985 | 15 |
| | | | | 2017 | 28 |
| | | | | 2027 | 28 |
| | | | | 2037 | 28 |
| | | | | 2251 | 29 |
| | | | | 2252 | 29 |
| | | | | 2271 | 30 |
| | | | | 2277 | 30 |
| | | | | 2291 | 31 |
| | | | | 2297 | 31 |
| | | | | 2441 | 22 |
| | | | | 2442 | 22 |
| | | | | 2447 | 22 |
| | | | | 2479 | 23 |
| | | | | 2482-11 | 23 |
| | | | | 2483 | 23 |
| | | | | 2484 | 24 |
| | | | | 2494 | 24 |
| | | | | 2495 | 24 |
| | | | | 2496 | 25 |
| | | | | 2497 | 25 |
| | | | | 2901-2873 | 12 |
| | | | | 2901-2874 | 12 |
| | | | | 2902-280000 | 13 |
| | | | | 2902-287300 | 13 |
| | | | | 2902-287400 | 13 |
| | | | | 2903-280000 | 13 |
| | | | | 2904-280000 | 13 |
| | | | | 2905-287300 | 13 |
| | | | | 2921-S000 | 3, 12 |
| | | | | 2921-W000 | 3, 12 |
| | | | | 2922-2873 | 3, 12 |
| | | | | 2922-2874 | 3, 12 |
| | | | | 3157 | 16 |
| | | | | 3251 | 17 |
| | | | | 3257 | 17 |
| | | | | 3565 | 19 |
| | | | | 4017 | 55 |
| | | | | 4721-15 | 53 |
| | | | | 4722-1015 | 53 |
| | | | | 4722-15 | 54 |
| | | | | 4731-15 | 54 |
| | | | | 4737 | 54 |
| | | | | 4781-15 | 54 |
| | | | | 4791-15 | 54 |
| | | | | 5053 | 44 |
| | | | | 5054 | 44 |
| | | | | 5061 | 43, 44 |
| | | | | 5071 | 44 |

| | | | | | | | |
|--------------------------|----|------------------------|----|----------------------|----|----------------------|----|
| 5084 | 45 | 6501 | 35 | 9353 | 74 | 9984 | 81 |
| 5085 | 45 | 6531 | 34 | 9362 | 74 | 9985 | 81 |
| 5102 | 47 | 6542 | 34 | 9363 | 74 | 9986 | 81 |
| 5103 | 47 | 6562 | 34 | 9401 | 75 | P10-696 | 20 |
| 5104 | 47 | 6563 | 34 | 9402 | 75 | P15-025 | 20 |
| 5105 | 47 | 6583 | 36 | 9403 | 75 | P15-098 | 20 |
| 5106 | 45 | 6843 | 38 | 9403-96 | 75 | P15-195 | 20 |
| 5123 | 47 | 7405 | 40 | 9495 | 80 | SA01 | 68 |
| 5124 | 48 | 7481 | 41 | 9522 | 63 | SA03 | 68 |
| 5125 | 48 | 7510 | 42 | 9530-60 | 62 | SA05 | 68 |
| 5126 | 45 | 7512 | 42 | 9530-72 | 62 | SA06 | 68 |
| 5127 | 48 | 7805 | 39 | 9531 | 62 | SA09 | 69 |
| 5224 | 44 | 7815 | 39 | 9531-4 | 62 | SA10 | 69 |
| 5234 | 45 | 8170-158 | 11 | 9533 | 61 | SA11 | 69 |
| 5235 | 45 | 8170-1581 | 11 | 9534 | 61 | SA12 | 70 |
| 5241 | 44 | 8370-101 | 11 | 9535 | 61 | SA13 | 70 |
| 5262 | 46 | 8370-102 | 11 | 9536 | 61 | SA14 | 70 |
| 5263 | 46 | 8370-103 | 11 | 9537 | 61 | SA15 | 70 |
| 5402 | 47 | 9014 | 74 | 9538 | 63 | SA16 | 69 |
| 5412 | 48 | 9015 | 74 | 9538-4 | 63 | SA21 | 69 |
| 5422 | 48 | 9044 | 71 | 9539 | 63 | SA22 | 69 |
| 5424 | 46 | 9045 | 71 | 9539-4 | 63 | SA25 | 70 |
| 5425 | 46 | 9054 | 72 | 9540 | 61 | SA26 | 70 |
| 5831 | 52 | 9055 | 72 | 9541 | 57 | SA30 | 64 |
| 5847 | 52 | 9065 | 72 | 9562 | 57 | SA31 | 64 |
| 5911 | 49 | 9066 | 72 | 9569 | 57 | SA32 | 64 |
| 5912 | 49 | 9094 | 72 | 9571 | 60 | SA33 | 64 |
| 5921 | 50 | 9095 | 72 | 9591 | 58 | SA35 | 64 |
| 5922 | 50 | 9104 | 73 | 9592 | 58 | SA36 | 64 |
| 5932 | 50 | 9104-90 | 73 | 9593 | 59 | SA37 | 65 |
| 5941 | 51 | 9105 | 73 | 9594 | 59 | SA38 | 65 |
| 5942 | 51 | 9105-90 | 73 | 9611 | 56 | SA39 | 65 |
| 5951 | 51 | 9111 | 77 | 9612 | 56 | SA41 | 65 |
| 5952 | 51 | 9114 | 77 | 9661 | 83 | SA47 | 66 |
| 6315 | 37 | 9115 | 77 | 9663 | 83 | SA49 | 66 |
| 6315-KT0000 | 37 | 9118 | 79 | 9664 | 83 | SA50 | 67 |
| 6322 | 37 | 9119 | 79 | 9813 | 82 | SA51 | 67 |
| 6322-67 | 37 | 9124 | 77 | 9905 | 82 | SA52 | 67 |
| 6322-68 | 37 | 9125 | 77 | 9933 | 81 | SA53 | 67 |
| 6324 | 37 | 9134 | 79 | 9934 | 81 | SA54 | 67 |
| 6324-67 | 37 | 9135 | 79 | 9943 | 81 | SA55 | 68 |
| 6324-68 | 37 | 9301 | 73 | 9944 | 81 | SA56 | 68 |
| 6326 | 38 | 9311 | 78 | 9945 | 81 | SA70 | 66 |
| 6326-67 | 38 | 9314 | 77 | 9946 | 81 | | |
| 6326-68 | 38 | 9315 | 77 | 9953 | 81 | | |
| 6334 | 38 | 9334 | 80 | 9954 | 81 | | |
| 6437 | 33 | 9335 | 80 | 9955 | 81 | | |
| 6481 | 35 | 9352 | 74 | 9983 | 81 | | |



Commercial Washroom Innovation



262 251 6000
800 BRADLEY bradleycorp.com
W142 N9101 Fountain Boulevard
Menomonee Falls, WI USA 53051
3767-10-0415

