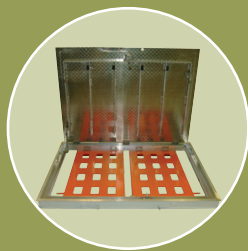
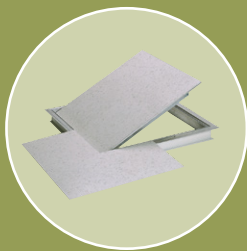
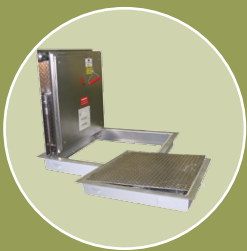


Floor Doors



Babcock-Davis' floor, vault, and sidewalk doors provide reliable and safe access below ground and between building floors. With Babcock-Davis, we build our services around your specified needs.



Drainable

- Interior & Exterior Applications
- Gutter Type Frame with Drain
- Aluminum & Steel
- Pedestrian & H2O Loads



Non-Drainable

- Interior Applications
- Aluminum & Steel
- Pedestrian & H2O Loads



Existing Opening

- Interior Applications
- Easy bolt-in place installation
- Aluminum & Steel



Recessed

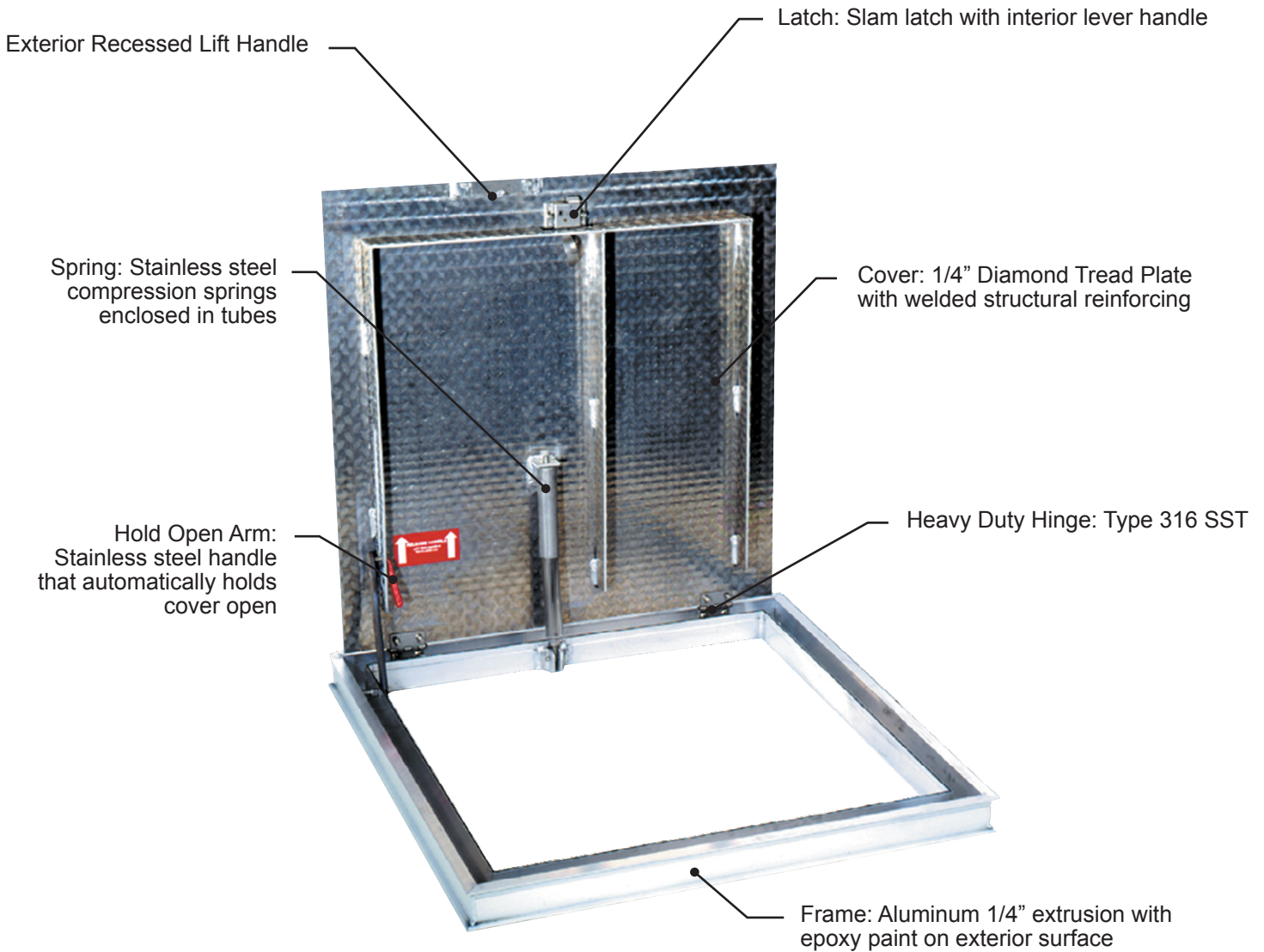
- Interior, High Visibility Areas
- Recessed 1/8" for Flooring Infill
- Pedestrian Load



Fire-Rated

- 2 hour & 3 hour Fire Rated to NFPA 288
- Warnock Hersey Tested & Labeled
- Pedestrian Load

Floor Door Components

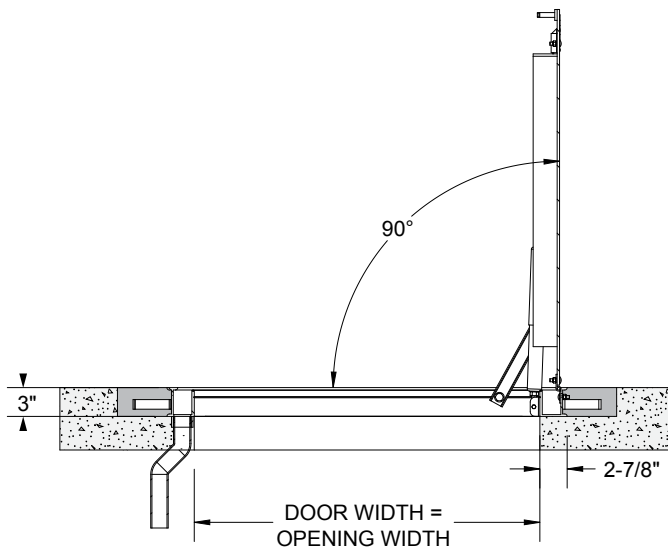


BFDDP: Drainable, Pedestrian

Drainable Floor Doors are intended for exterior or high moisture areas when liquid flow into the door is a concern. The frame is constructed with a gutter channel for water runoff to a drainage system.

Specifications

- Load: Pedestrian 300psf live load
- Material:
 - Aluminum 1/4", Mill finish with epoxy on exterior frame
 - Steel 3/16", Primed gray powder coat
 - Type 304 SST
 - Type 316 SST
- Cover: Diamond tread plate
- Frame: Formed gutter frame with a 1-1/2" drain coupling welded under frame for pipe connection for water runoff.
 - Anchor Straps, 1/4" x 1" x 4" welded for concrete pour
 - Bolt holes, 3/8" diameter for drop-in
- Spring: Coil Type 17-7 SST enclosed in Type 316 SST telescopic tubes
- Hinges: Heavy duty Type 316 SST
- Hold Open Arm: Type 316 SST automatic hold open arm locks cover in open position
- Latch: Slam latch Type 316 SST with inside lever handle, includes removable 5/16" steel square "L" handle and threaded plug



PRODUCT GUIDE

BFD **D** **P** **A** **W** **X** **S** **L**

SERIES	
D	DRAINABLE
N	NON-DRAINABLE
E	EXISTING OPENING
R	RECESSED
W	WATER TIGHT

LOAD	
P	300 PSF PEDESTRIAN
H	H20 VEHICULAR

MATERIAL	
A	1/4" ALUMINUM
P	3/16" STEEL PRIMED
S	3/16" TYPE 304 SST
T	3/16" TYPE 316 SST

SIZE (WIDTH & LENGTH)	
SINGLE DOOR	DOUBLE DOOR
24" x 24"	48" x 48"
30" x 36"	48" x 72"
36" x 36"	60" x 60"
42" x 42"	

COVER	
S	SINGLE DOOR
D	DOUBLE DOOR

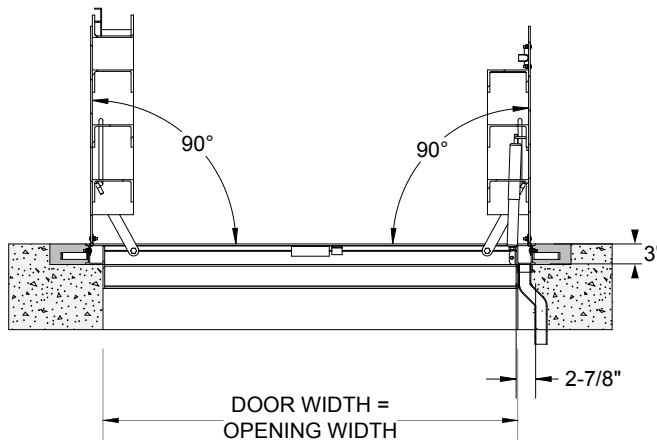
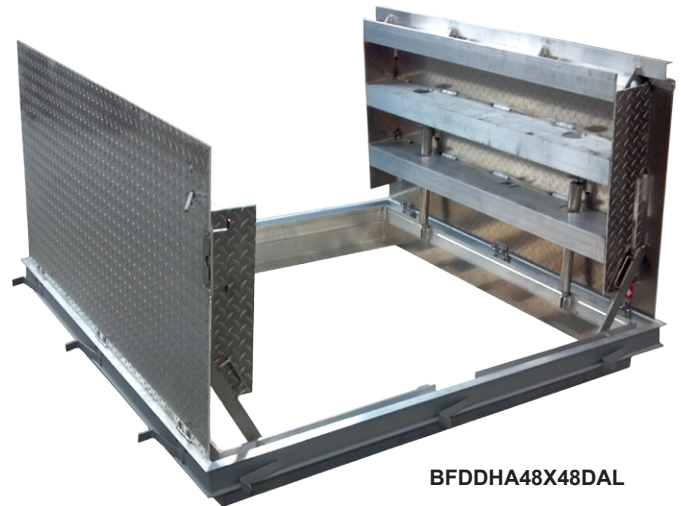
INSTALL	
A	ANCHOR
B	BOLT IN

Standard sizes listed,
other sizes available

BFDDH: Drainable, H20

Specifications

- Load: H20 wheel load for infrequent, off street traffic
- Material:
 - Aluminum 1/4", Mill finish with epoxy on exterior frame
 - Steel 3/16", Primed gray powder coat
 - Type 304 SST
 - Type 316 SST
- Cover: Diamond tread plate
- Frame: Formed gutter frame with a 1-1/2" drain coupling welded under frame for pipe connection for water runoff.
 - Anchor Straps, 1/4" x 1" x 4" welded for concrete pour
- Spring: Coil Type 17-7 SST enclosed in Type 316 SST telescopic tubes
- Hinges: Heavy duty Type 316 SST
- Hold Open Arm: Type 316 SST automatic hold open arm locks cover in open position
- Latch: Slam latch Type 316 SST with inside lever handle, includes removable 5/16" steel square "L" handle and threaded plug



PRODUCT GUIDE

BFD **D** **H** **A** **L**

SERIES
D DRAINABLE
N NON-DRAINABLE
E EXISTING OPENING
R RECESSED
W WATER TIGHT

LOAD
P 300 PSF PEDESTRIAN
H H20 VEHICULAR

MATERIAL
A 1/4" ALUMINUM
P 3/16" STEEL PRIMED
S 3/16" TYPE 304 SST
T 3/16" TYPE 316 SST

SIZE (WIDTH & LENGTH)	
SINGLE DOOR	DOUBLE DOOR
24" x 24"	48" x 48"
30" x 36"	48" x 72"
36" x 36"	60" x 60"
42" x 42"	

COVER
S SINGLE DOOR
D DOUBLE DOOR

Standard sizes listed,
other sizes available

BFDN: Non-Drainable

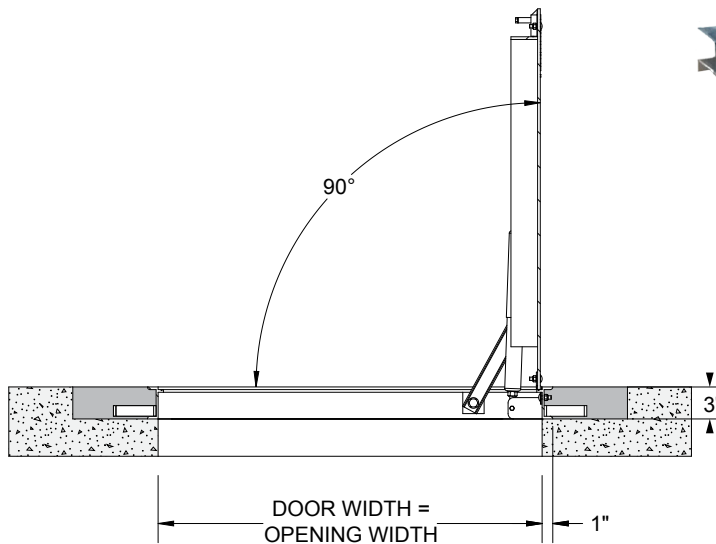
Babcock-Davis non-drainable doors are economical and easy to install. These doors are primarily for interior use in new openings, when concrete will be pour-in-place.

Specifications

- Load:
 - Pedestrian 300psf live load
 - H2O wheel load, infrequent, off street
- Material:
 - Aluminum 1/4", Mill finish with epoxy on exterior frame
- Frame: Angle frame
 - Anchor Straps, 1/4" x 1" x 4" welded for concrete pour
- Cover: Diamond tread plate
- Spring: Coil Type 17-7 SST enclosed in Type 316 SST telescopic tubes
- Hinges: Heavy duty Type 316 SST
- Hold Open Arm: Type 316 SST automatic hold open arm locks cover in open position
- Latch: Slam latch Type 316 SST with inside lever handle, includes removable 5/16" steel square "L" handle and threaded plug



BFDNPA36X36SAL



PRODUCT GUIDE

BFD **N** **A** **X** **A** **L**

SERIES	
D	DRAINABLE
N	NON-DRAINABLE
E	EXISTING OPENING
R	RECESSED
W	WATER TIGHT

LOAD	
P	300 PSF PEDESTRIAN
H	H2O VEHICULAR

MATERIAL	
A	1/4" ALUMINUM
P	3/16" STEEL PRIMED
S	3/16" TYPE 304 SST
T	3/16" TYPE 316 SST

SIZE (WIDTH & LENGTH)	
SINGLE DOOR	DOUBLE DOOR
24" x 24"	48" x 48"
30" x 36"	48" x 72"
36" x 36"	60" x 60"
42" x 42"	

COVER	
S	SINGLE DOOR
D	DOUBLE DOOR

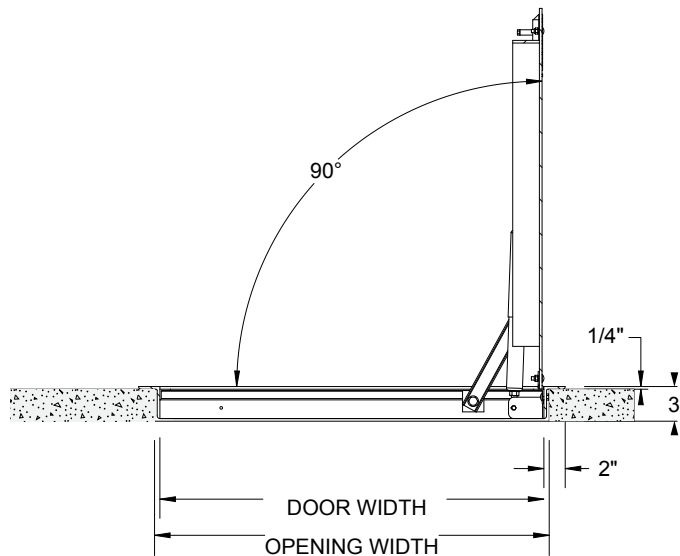
Standard sizes listed,
other sizes available

BFDE: Existing Opening

Babcock-Davis existing opening floor doors are economical and easy to install. These doors are primarily for interior use for existing-opening, drop-in installations.

Specifications

- Load:
 - Pedestrian 300psf live load
- Material:
 - Aluminum 1/4", Mill finish with epoxy on exterior frame
 - Steel 3/16", Primed gray powder coat
 - Type 304 SST
 - Type 316 SST
- Frame: Angle frame
 - Bolt holes, 3/8" diameter for drop-in
- Cover: Diamond tread plate
- Spring: Coil Type 17-7 SST enclosed in Type 316 SST telescopic tubes
- Hinges: Heavy duty Type 316 SST
- Hold Open Arm: Type 316 SST automatic hold open arm locks cover in open position
- Latch: Slam latch Type 316 SST with inside lever handle, includes removable 5/16" steel square "L" handle and threaded plug



DOOR WIDTH = OPENING WIDTH - 1"

PRODUCT GUIDE

BFD **E** **P** **A** **P** **S** **T** **X** **B** **L**

SERIES
D DRAINABLE
N NON-DRAINABLE
E EXISTING OPENING
R RECESSED
W WATER TIGHT

LOAD
P 300 PSF PEDESTRIAN
H H2O VEHICULAR

MATERIAL
A 1/4" ALUMINUM
P 3/16" STEEL PRIMED
S 3/16" TYPE 304 SST
T 3/16" TYPE 316 SST

SIZE (WIDTH & LENGTH)	
SINGLE DOOR	DOUBLE DOOR
24" x 24"	48" x 48"
30" x 36"	48" x 72"
36" x 36"	60" x 60"
42" x 42"	

COVER
S SINGLE DOOR
D DOUBLE DOOR

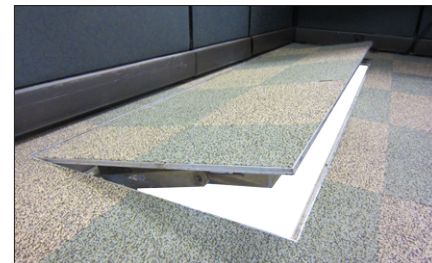
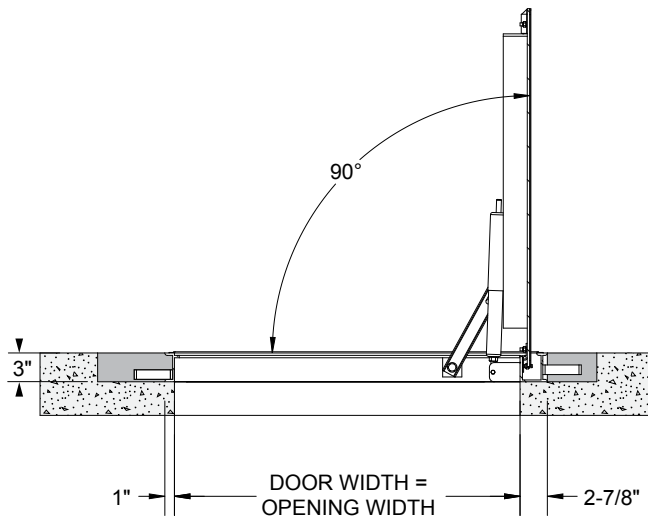
Standard sizes listed,
other sizes available

BFDR: Recessed

Babcock-Davis recessed floor doors are perfect for high visibility interior areas where access through the floor is necessary in pedestrian areas. The recessed aluminum floor doors are intended for infill of 1/8" vinyl composition tile (VCT) or carpet.

Specifications

- Load: Pedestrian 300psf live load
- Material:
 - Aluminum 1/4", Mill finish with epoxy on exterior frame
 - Steel 3/16", Primed gray powder coat
- Cover: Recessed for 1/8" flooring infill
- Frame: Angle frame with formed channel frame hingeside only
 - Anchor Straps, 1/4" x 1" x 4" welded for concrete pour
 - Bolt holes, 3/8" diameter for drop-in existing openings
- Spring: Coil Type 17-7 SST enclosed in type 316 SST telescopic tubes
- Hinges: Heavy duty Type 316 SST
- Hold Open Arm: Type 316 SST automatic hold open arm locks cover in open position
- Latch: Slam latch Type 316 SST with inside lever handle, includes removable 5/16" steel square "L" handle and threaded plug



PRODUCT GUIDE

BFD **R** **P** **A** **W** X **L**

SERIES	
D	DRAINABLE
N	NON-DRAINABLE
E	EXISTING OPENING
R	RECESSED
W	WATER TIGHT

LOAD	
P	300 PSF PEDESTRIAN
H	H20 VEHICULAR

MATERIAL	
A	1/4" ALUMINUM
P	3/16" STEEL PRIMED
S	3/16" TYPE 304 SST
T	3/16" TYPE 316 SST

SIZE (WIDTH & LENGTH)	
SINGLE DOOR	DOUBLE DOOR
24" x 24"	48" x 48"
30" x 36"	48" x 72"
36" x 36"	60" x 60"
42" x 42"	

COVER	
S	SINGLE DOOR
D	DOUBLE DOOR

INSTALL	
A	ANCHOR
B	BOLT IN

Standard sizes listed,
other sizes available

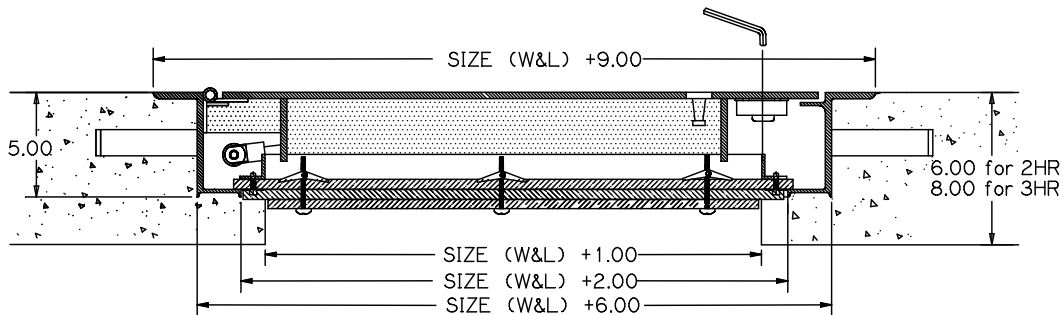
BF: Fire-Rated

Babcock-Davis fire-rated floor doors are engineered to achieve 2 hour and 3 hour fire-rating as tested by Warnock Hersey to NFPA 288 test standards.

Specifications

- Load: Pedestrian 300psf live load
- Material: Aluminum 1/4", Mill finish with epoxy on exterior frame
- Cover:
 - Diamond tread plate
 - Recessed for 1/8" flooring infill
- Fire Rating:
 - 2 Hr
 - 3 Hr
- Frame: Angle frame
 - Anchor Straps, 1/4" x 1" x 4" welded for concrete pour
 - Bolt holes, 3/8" diameter for drop-in wood frame openings
- Spring: Type 316 SST gas spring
- Hinges: Heavy duty Type 316 SST
- Latch: Slam latch Type 316 SST with inside pull release cable, includes external removable 5/16" steel square "L" handle and threaded plug
- Optional:
 - Self closing mechanism automatically closes door at 165°F in event of fire

FIRE RATED NFPA 288



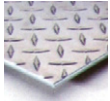
PRODUCT GUIDE

SERIES	COVER	FIRE RATING	WIDTH	LENGTH	OPTIONS
B	F			X	
F FIRE RATED	C DIAMOND TREAD PLATE T RECESSED 1/8"	RM 2 HOUR CM 3 HOUR	SIZE (WIDTH & LENGTH) 18" x 18" 36" x 36" 24" x 24" 42" x 42" 30" x 30" 48" x 48" 30" x 36" 48" x 60"		SC SELF CLOSING @ 165°F W WOOD FRAME / BOLT-IN

Standard sizes listed, other sizes available

Options

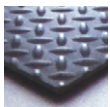
Material & Finish Options



A Aluminum Type 6061-T6
Standard material which is highly resistant to corrosion.



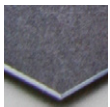
C Clear Anodized Aluminum Type 6061-T6
Greater corrosion resistance with an attractive finished appearance.



P Prime Painted Steel
Economical alternative to aluminum for interior applications. Prime coated with a rust inhibitive for finish painting.



S Stainless Steel #304
Used in applications where certain corrosive chemicals may affect aluminum and steel.



T Stainless Steel #316
Maximum level of corrosion resistance available. The non-skid tape provides a high traction surface.

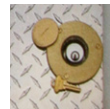
Additional Options



-PH Padlock Hasp Through Door
Simple hasp through the door that allows the door to be locked by a padlock.



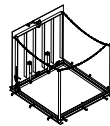
-PR Recessed Padlock Hasp with Hinged Cover
In applications where security and traffic are important, this hasp is concealed under a lid that is flush with the door.



-M Mortise Cam Lock
A high security option that allows the door to receive a mortise cylinder.



-D Detention Lock
Use where maximum security is required. Door is prepared to receive a detention dead bolt lock.

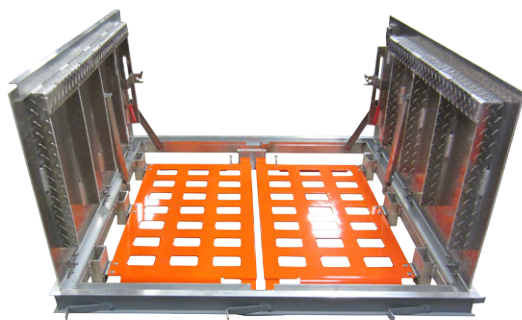


-SC Safety Chain
Provides a safety barrier for the floor door, using permanent upright posts and proof coil chains.

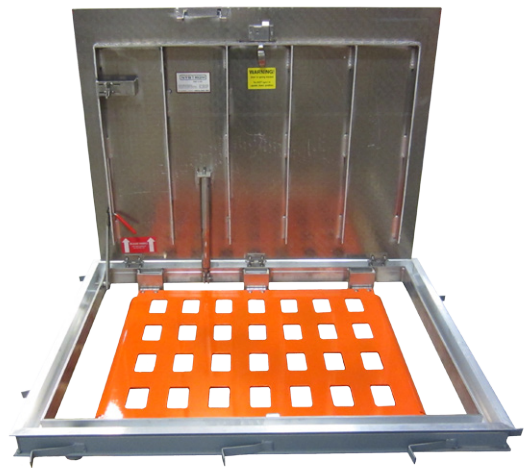
SG: Safety Grating Fall Protection

Safety grating provides permanent means of fall protection under floor doors. It is available as a factory installed option with most floor door styles.

- Load Rating: 300psf live load
- Material:
 - 1/4" Aluminum plate, orange powdercoat
 - Fiber Reinforced Plastic (FRP) yellow
- Hold open latch: Zinc plated steel
 - Optional padlock hasp



BFDDPA48X48DAL-SGON



BFDDPA36X36SAL-SGON

SR: Safety Railing

Safety railings provide a permanent means of fall protection as required by OSHA 1910.23 and OSHA 1926.503.

- Material: 1 ¼" ID Schedule 40 galvanized steel pipe
- Fittings: Cast Aluminum alloy with set screw secure mounting
- Exit Type:
 - Chain: 3/16" Proof Coil, zinc plated steel
 - Self Closing Gate: 1 ¼" galvanized steel tube



Meets OSHA Standard
CFR 29 1910.23



SRTG36X36FC

SRTG x

SIZE (WIDTH & LENGTH)	
30" x 18"	36" x 36"
30" x 24"	48" x 48"
36" x 30"	

Floor Door Size = Railing Size

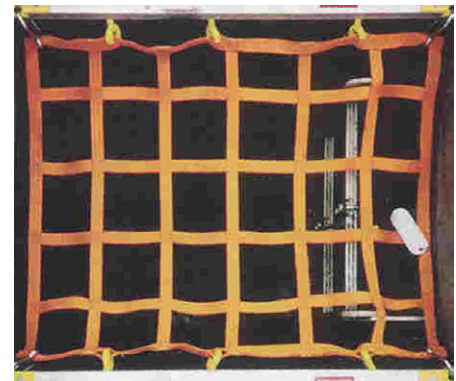
EXIT LOCATION
F FRONT EXIT
S SIDE EXIT (SINGLE DOOR)
D SIDE EXIT (DOUBLE DOOR)

OPTIONS
C CHAIN
G SELF-CLOSING GATE

SN: Safety Netting

The safety net system provides fall protection for floor doors when the hatch is open as required by OSHA 1926.502 (c) "Safety Net Systems".

- Rail Material: Extruded Aluminum 6061 T6
- Netting: Orange polyester with 5000 lb breaking strength
- Rings: Aluminum Alloy
- Installation Hardware
 - Retrofit / Non-Drainable have 3/8" expansion anchors for concrete
 - New / Drainable have 3/8" bolts and nuts



SNA36X36-R

SNA x -

SIZE (WIDTH & LENGTH)	
30" x 18"	36" x 36"
30" x 24"	48" x 48"
36" x 30"	

Floor Door Size = Net Size

INSTALL
R RETRO FIT
N NEW

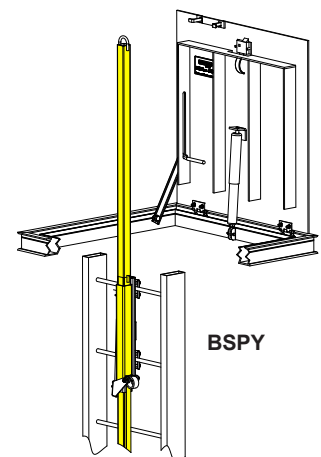
BSP: Safety Post

Safety posts mount to the top two ladder rungs of fixed ladders for safe entry and exits through a floor door. Meets OSHA 1910.27 (d)3 for ladder extension requirements.

- Material: 1 ½" x 1 ½" square tubing
 - Steel, yellow powder coat
 - Steel, hot dip galvanized
 - Aluminum, mill finish
 - Type 304 SST, mill finish
- Mounting Clamps: Type 304 SST
- Hardware: 3/8"-16 Bolts Type 316 SST

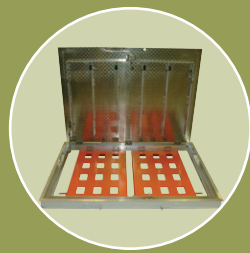
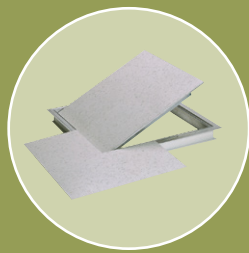
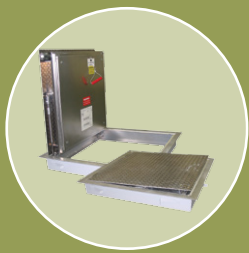
BSP

MATERIAL & FINISH
Y STEEL, YELLOW POWDER COAT
G STEEL, HOT DIP GALVANIZED
A ALUMINUM, MILL
S STAINLESS STEEL, MILL



BSPY

Floor Doors




Babcock-Davis[®]
Always right there.