



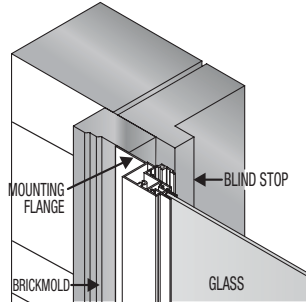
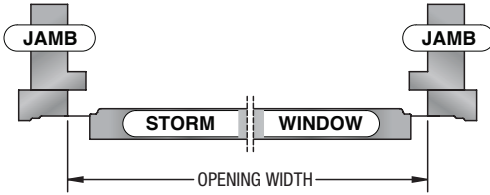
Exterior Storm Window Installation Instructions

TOOLS REQUIRED

Electric/cordless drill	3/32" drill bit	Pliers
Phillips screwdriver bit	Utility knife	Tape measure
Caulk gun		

For additional information on storm windows, installation, and to register your new window, go to www.LARSONdoors.com/windows

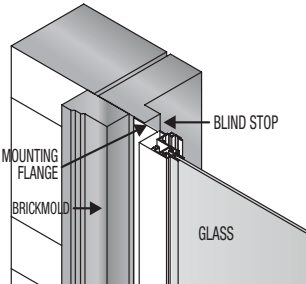
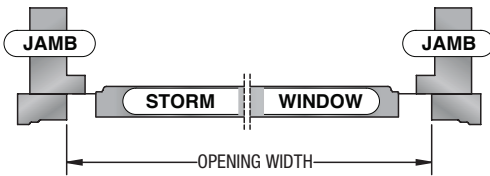
OVERLAP MOUNT INSTALLATION



1. If your model includes an adjustable expander, slide the expander onto the bottom of the window unit. (The bottom mounting flange does not have round pre-punched installation holes).
2. Position the storm window over the opening to check for a proper fit. Use caution when handling the window to ensure the glass panes stay within the frame.

If your storm window is too large, the mounting flange can be trimmed. Determine how much of the flange to remove. Using a utility knife, score the mounting flange along the appropriate groove. Bend the flange back and forth with pliers until it breaks off.

BLINDSTOP MOUNT INSTALLATION



3. Apply caulk to the head (top) and jambs (sides) of the existing window where the storm window will be mounted. To allow for proper drainage, DO NOT caulk the sill.
4. Set the storm window in place, ensuring it is square, centered in the opening and that the frame does not bow toward or away from the center of the window. Pre-drill a 3/32" pilot hole through each of the holes in the mounting flange, and secure window with the provided screws.
5. Adjust the expander (if applicable) so that it makes even contact across the window sill.

GENERAL GLASS CLEANING INSTRUCTIONS

Wash using household glass cleaner or a warm water/mild detergent mixture and a soft cloth or paper towel. A solution of four parts water/one part vinegar may also be used.

SPECIAL CARE FOR LOW-E GLASS (SELECT MODELS)

Clean the glass with plain water, using a clean soft sponge or lint-free cloth to remove as much surface grime from the glass as possible. If needed, wash the surface of the glass again with a solution of 80% water and 20% vinegar with a clean soft lint-free cloth. Dry with a new soft cloth.

Cleaning may cause streaks when dried if the glass is exceptionally dirty. In this case repeat the above steps.

NOTE:

- Care must be exercised when using rubber squeegees on the coated surface, as they can leave streaks that are hard to remove if they are used incorrectly or are in poor condition.
- Never use ANY type of scraper or abrasive cleaner on the coated surface. Particles from these materials can be deposited on the coated surface and are very difficult to remove.
- For unusually hard to remove spots such as crayon or grease, isopropyl alcohol, GooGone® or GoofOff® may be used. After spot cleaning, the full glass surface should be cleaned as discussed above.

