

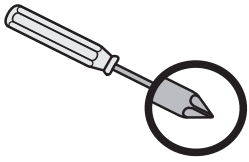
IT IS HIGHLY RECOMMENDED THAT THE INSTRUCTIONS BE READ THROUGH BEFORE INSTALLING DOOR.



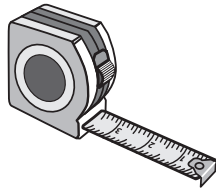
ESCAPE DOUBLE DOOR RETRACTABLE SCREEN DOOR **INSTALLATION INSTRUCTIONS**

INSTALLATION TOOLS

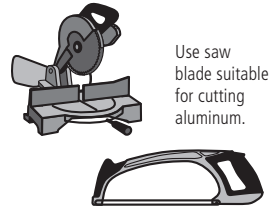
PHILLIPS SCREWDRIVER



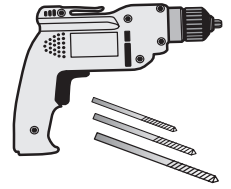
MEASURING TAPE



HAND-HELD OR POWER SAW



POWER DRILL & BITS

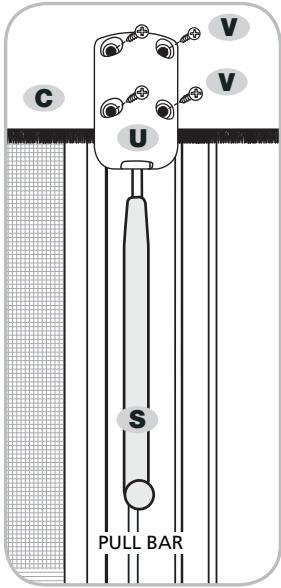


INTRODUCTION

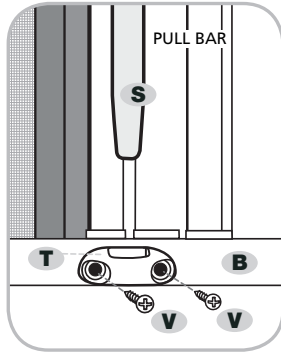
The Larson ESCAPE retractable screen features a fully assembled screen cassette pre-sized for opening sizes indicated on the packaging box. If the door opening is shorter than this product, contact Larson for help with another product.

The instructions are split into two sections: RECESS INSTALLATION, PAGE 2, and SURFACE INSTALLATION, PAGE 9. Determine which you need before starting.

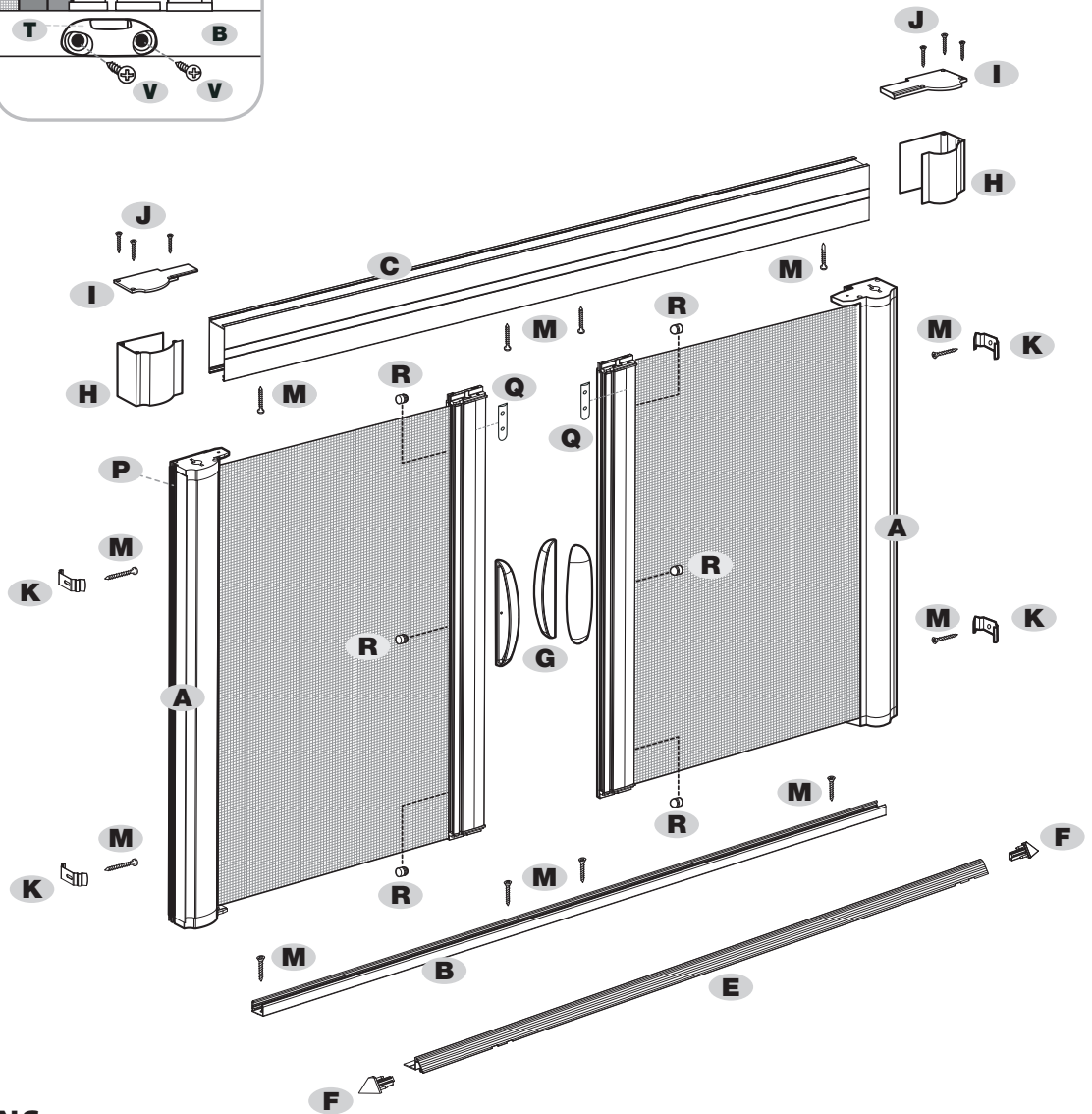
Please contact your Larson Dealer for additional custom sizes and colors.



Optional Top Slide Bolt



Optional Bottom Slide Bolt



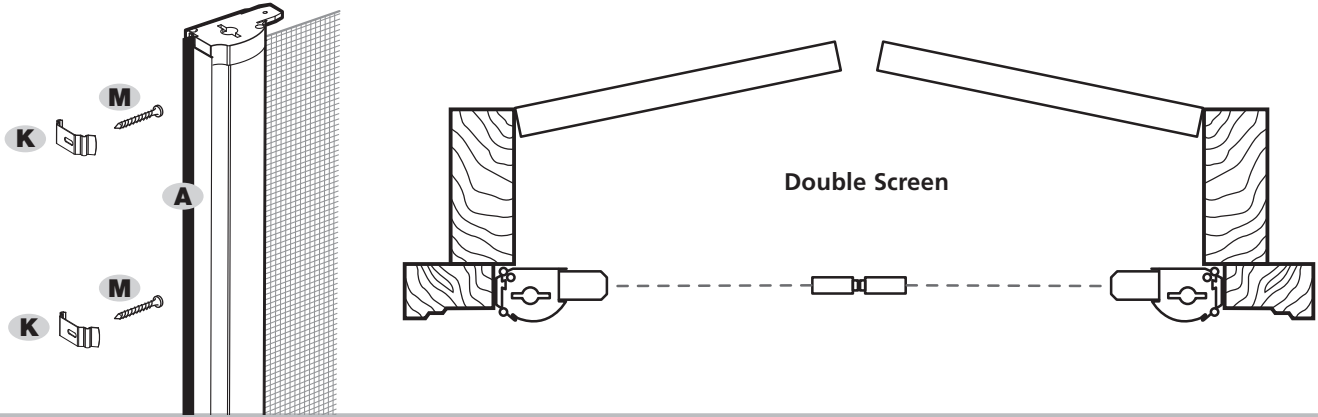
PART DESIGNATIONS

- | | | |
|--|---|--|
| A Screen Cassette Assembly | I Boot Body End Cap | Q Top Retainer Guide (can be installed on outer or inner door.) |
| B Bottom Guide Rail | J #6 x 3/4" (19mm) Phillips Flathead Countersunk Screws for Boot Body End Caps | R Rubber Bumpers |
| C Top Guide Rail | K Recess Mount Clips | S Slide Bolt |
| E Threshold Transition | M #8 x 3/4" (19mm) Phillips Panhead Screws | T Bottom Slide Bolt Retainer |
| F Threshold Transition End Caps | P Pile Weather Strip | U Top Slide Bolt Retainer |
| G Handle | | V #4 x 3/8" (9.5mm) Phillips Panhead Screws |
| H Boot Body | | |

1 MOUNTING

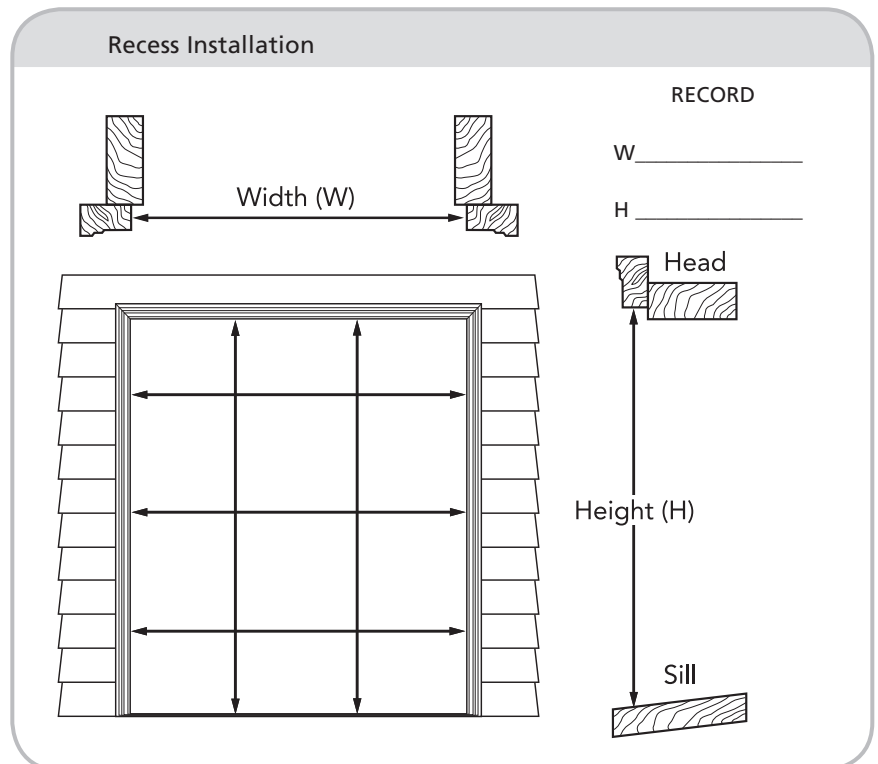
The A-Screen Cassette will be mounted using K-Recess Mounting Clips inside the door frame.

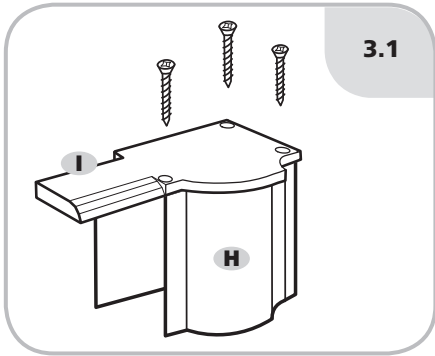
1-A Recess Installation



2 MEASURING

Measure the opening width and height in several places and record the smallest width and height measurement.





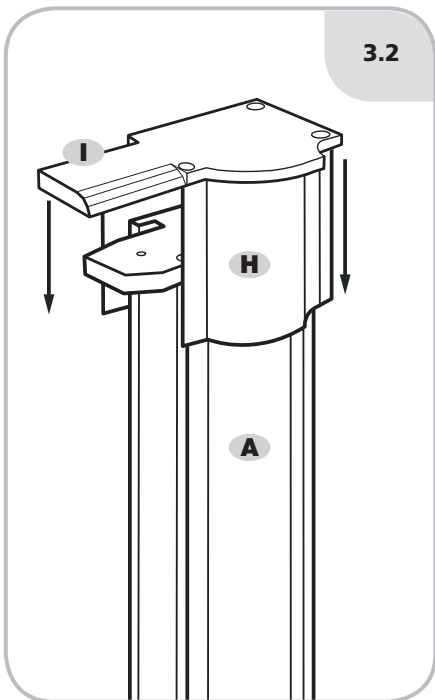
3.1

3 THE SCREEN CASSETTE

The **A-Screen Cassette Assembly** can be installed on either the right or left side of the door jamb by flipping the **Screen Cassette** (the rounded side of the Screen Cassette should face outward).

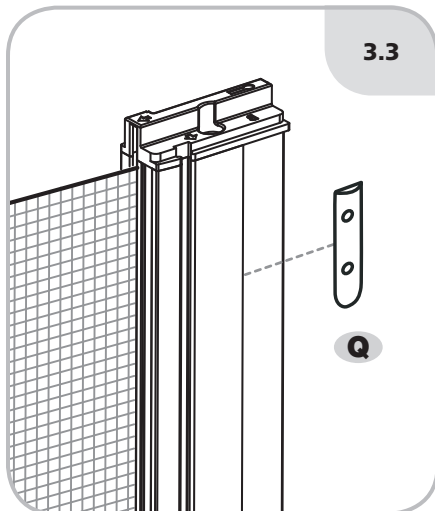
Determine which will be the top of the **H-Boot Body** [3.1] and attach the **I-Boot Body End Cap** on the desired top end using three (3) **J-#6 x 3/4" (19mm) Phillips Flathead Countersunk Screws**.

Slide the **H-Boot Body** onto what will be the top end of both **A-Screen Cassettes** [3.2].

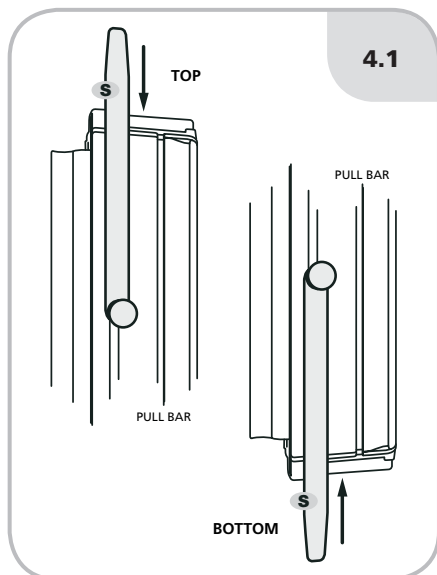


3.2

Install the **Q-Top Retainer Guide** [3.3] by sliding it onto the top of both **Pull Bars** (interior side). For now move the **Q-Top Retainer Guide** down about 6". It will be further adjusted in **STEP 12**.



3.3

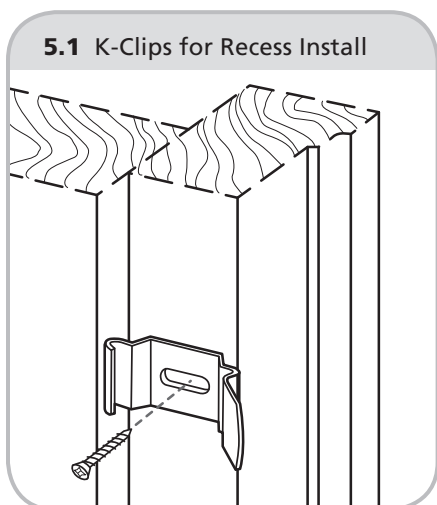


4 OPTIONAL • INSTALLING THE SLIDE BOLT ACCESSORY LOCK

Identify which of the two screen panels will be the one most often used to enter and exit the home. You will install the Slide Bolt Accessory Lock on the interior side of this inactive panel (the side less used).

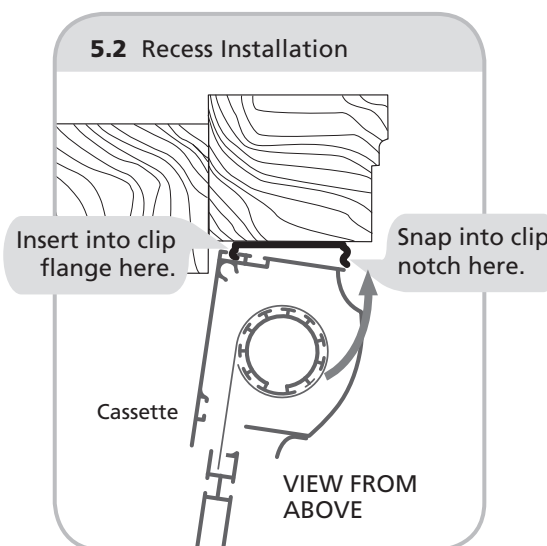
On the inactive panel loosen the Allen head set screw on the Q-Top Retainer Guide. Slide to remove the Q-Top Retainer Guide from the interior side of the pull bar **and then reinstall it in the same groove but on the opposite side of the pull bar (the exterior side)**. For now, slide the Q-Top Retainer Guide down about 4" so it is out of the way until it is adjusted and tightened in the final step.

In this same interior groove of the pull bar, **slide in an S-Slide Bolt at the bottom and then another at the top**. Make certain that the pointed end of each Slide Bolt faces out [4.1].



5 INSTALLING THE CASSETTES

Using the M-#8 x 3/4" (19mm) Phillips Panhead Screws, install the K-Recess Mounting Clips 16" from the top and bottom of the door opening [5.1]. Lock one A-Screen Cassette onto the mounting clips [5.2]. The other A-Screen Cassette will be installed in Step 8.



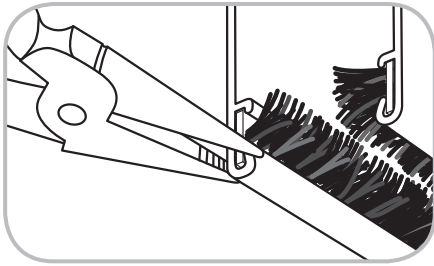
6 CUT THE TOP AND BOTTOM RAILS

Using the measurements from Step 2,

SUBTRACT 5" (127mm) FROM THE TOP GUIDE

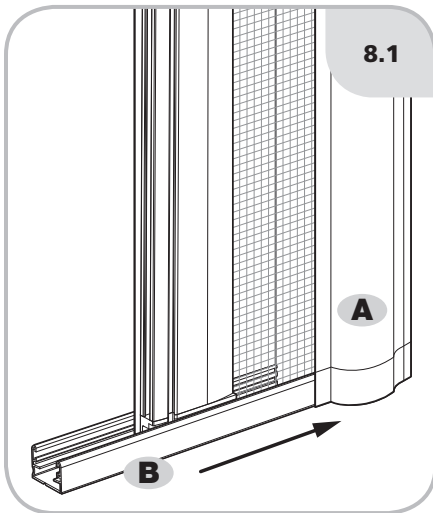
SUBTRACT 4-3/8" (111mm) FROM THE BOTTOM GUIDE

Cut the rails to size.



7 CRIMP WEATHER STRIPS

Crimp in the upraised channel lip on the inside of each corner of the **C-Top Guide Rail** and **B-Bottom Guide Rail** to keep the **P-Pile/Weather Strip** from moving, as shown at left.

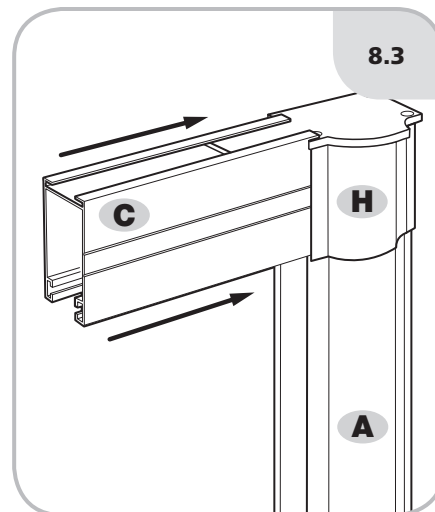
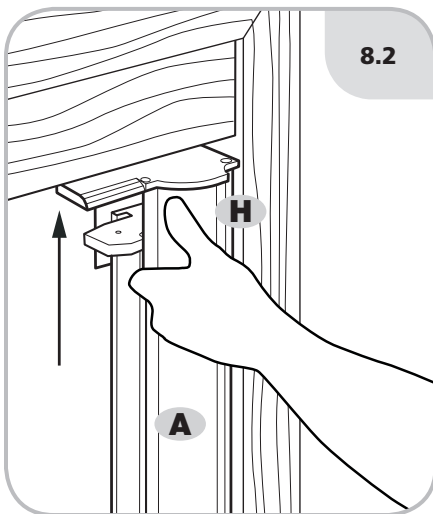


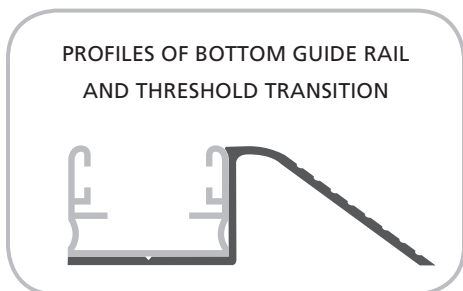
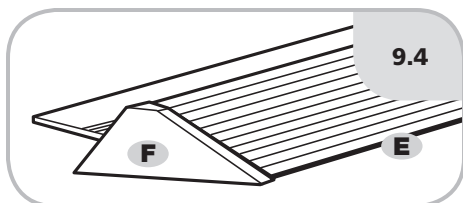
8 INSTALLING THE TOP AND BOTTOM GUIDE RAILS

Slide the **B-Bottom Guide Rail** fully onto the tab on the **A-Screen Cassette End Cap** [8.1] that was installed on the door frame in **Step 5**.

Slide the **H-Boot Body** upward on this **Screen Cassette** until it rests snug with the top of the door opening [8.2]. Slide the **B-Bottom Guide Rail** fully onto the **A-Screen Cassette End Cap** [8.1] of the second cassette that is yet to be installed within the door frame. Position the **C-Top Guide Rail** so that it rests on the **Pull Bar** of the **A-Screen Cassette Assembly** that has already been installed. Position and rest the opposite end of the **C-Top Guide Rail** on the pull bar of the second **A-Screen Cassette Assembly**. Move the second **A-Screen Cassette** into the door frame and lock the second **A-Screen Cassette** onto the **K-Mounting Clips** [5.2]. Slide the **H-Boot Body** upward on the second **A-Screen Cassette** until it rest snug with the top of the door opening.

Position the **C-Top Guide Rail** onto the tab of the **H-Boot Body** [8.3].

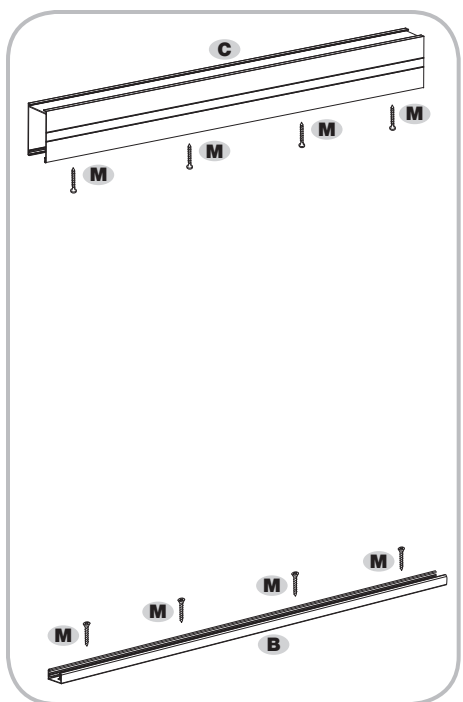




9 OPTIONAL • THRESHOLD TRANSITION FOR RECESS MOUNT ONLY

Before screwing down the **B-Bottom Guide Rail**, you may choose to install the **E-Threshold Transition** (with **F-Threshold Transition End Caps**) 9.4]. This part is optional; it protects the bottom guide rail and it is also a nice aesthetic feature. The **Transition** may be installed toward the interior or exterior of the home.

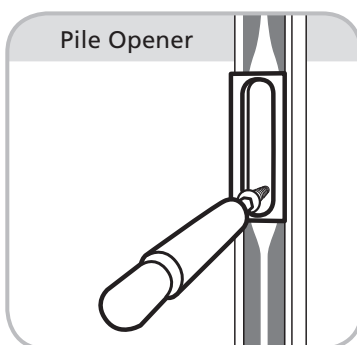
To install, cut the **Transition** to the door opening width, less 6-1/4" (159mm) for **Double Door Screens**. Insert the **F-Threshold Transition End Caps**, slide the lip of the **Transition** under the **Bottom Guide Rail** and secure both profiles with four (4) **M-#8 x 3/4" (19mm) Phillips Panhead Screws**. Position screws 6 inches in from each end and center the middle one.

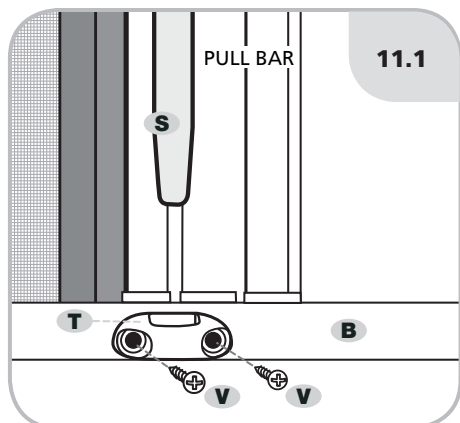


10 SECURE THE RAILS WITH SCREWS

Secure the **B-Bottom Guide Rail** and **C-Top Guide Rail** with four **M-#8 x 3/4" (19mm) Phillips Panhead Screws** each. Position screws 6 inches (150mm) in from each end and equally space the remaining screws.

When installing the **Bottom** and **Top Guide Rail**, use the convenient **Pile Opener** included with this kit, to temporarily separate the two insect piles. This will make for easier viewing and installation of the screws.



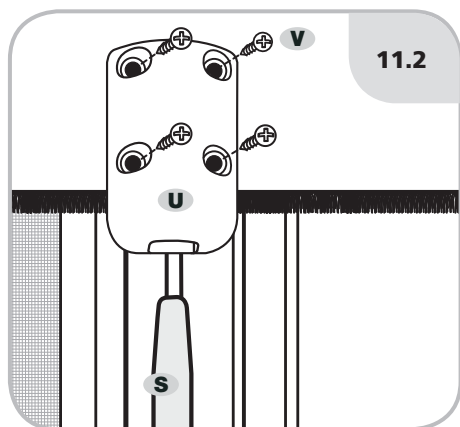


11

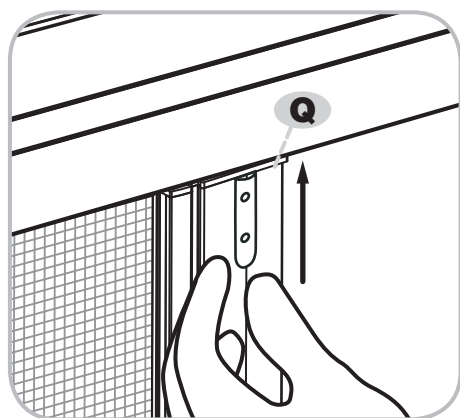
OPTIONAL • INSTALLING SLIDE BOLT RETAINERS (APPLICABLE ONLY IF STEP FOUR WAS IMPLEMENTED)

Close the screen doors. Now, on the **B-Bottom Guide Rail** and the **C-Top Guide Rail**, make pencil marks to the center of the channel in which you've installed the Slide Bolts.

Center the **T-Bottom Slide Bolt Retainer** to your channel mark, with the bottom of the **Retainer** flush to the bottom of the **B-Bottom Guide Rail**. Pencil mark the position for the screws, set the **Retainer** aside, and drill 1/8" holes. Then attach the **T-Bottom Slide Bolt Retainer** using (2) **V- #4 x 3/8" Phillips Panhead Screws** [10.1].



Position the **U-Top Slide Bolt Retainer** so that it also centers to the channel mark, with the bottom of the **Retainer** flush with the bottom of the **C-Top Guide Rail**. Pencil mark the position for the 4 screws, set aside the **Retainer** and drill 1/8" holes. Attach the **U-Top Slide Bolt Retainer** using (4) **V- #4 x 3/8" Phillips Panhead Screws** [10.2].

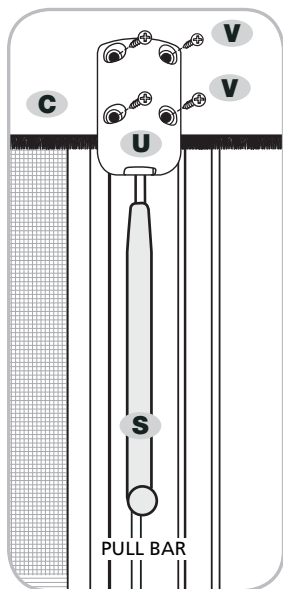


12

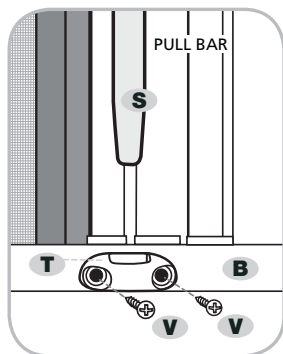
ADJUSTING THE TOP RETAINER GUIDE & HANDLES

Adjust the **Q-Top Retainer Guide(s)** so that they are positioned at the top of the **Pull Bar(s)** approximately 1/8" (3mm) below the top guide rail. Tighten **Allen-Head Set Screw**. Adjust the **G-Handle** heights by loosening the **Allen-Head Set Screw**, move the **G-Handle** as desired and retighten screw.

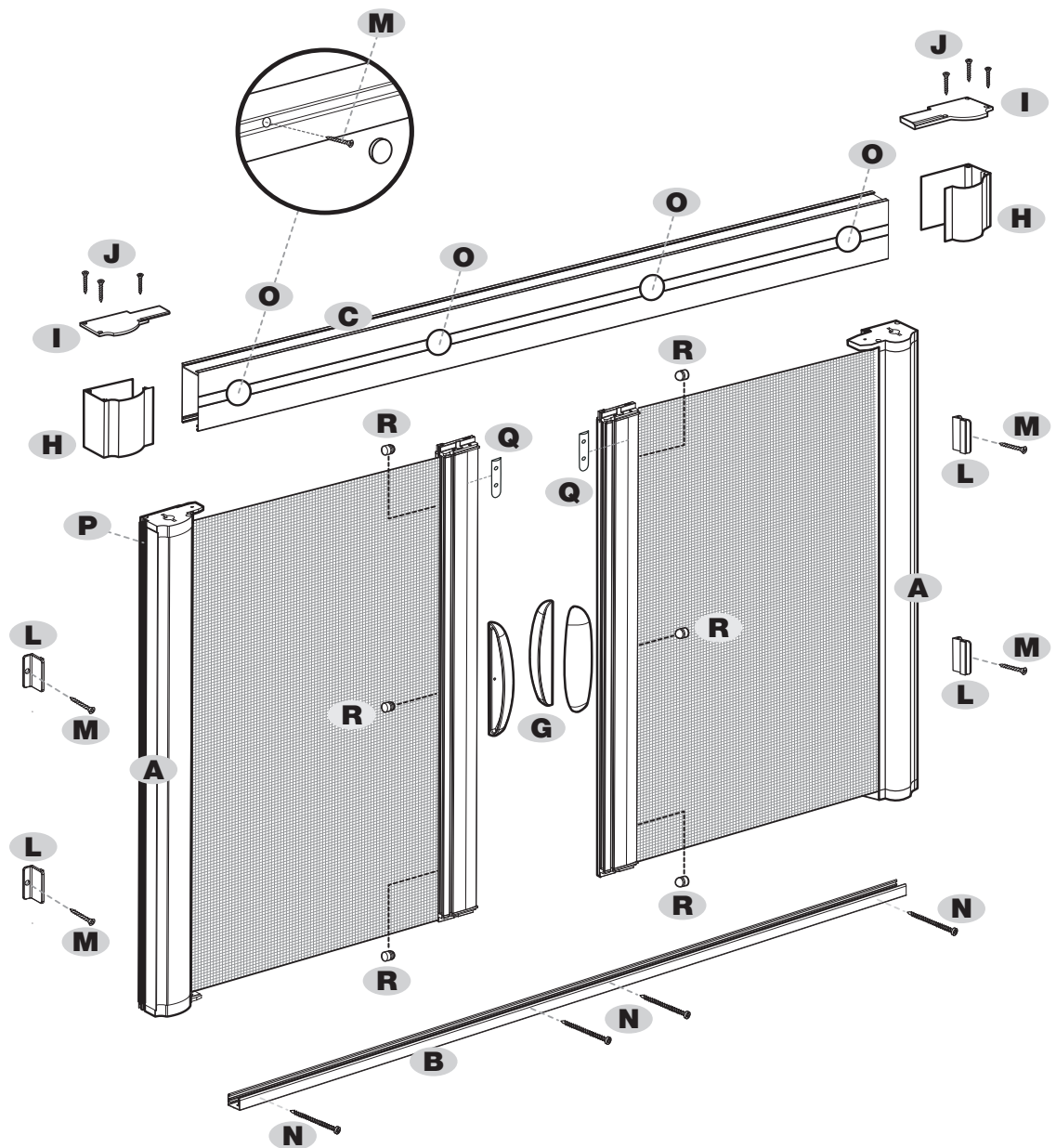
Note: the Retainer Guide(s) should NOT touch the Top Guide Rail when positioned correctly.



Optional Top Slide Bolt



Optional Bottom Slide Bolt

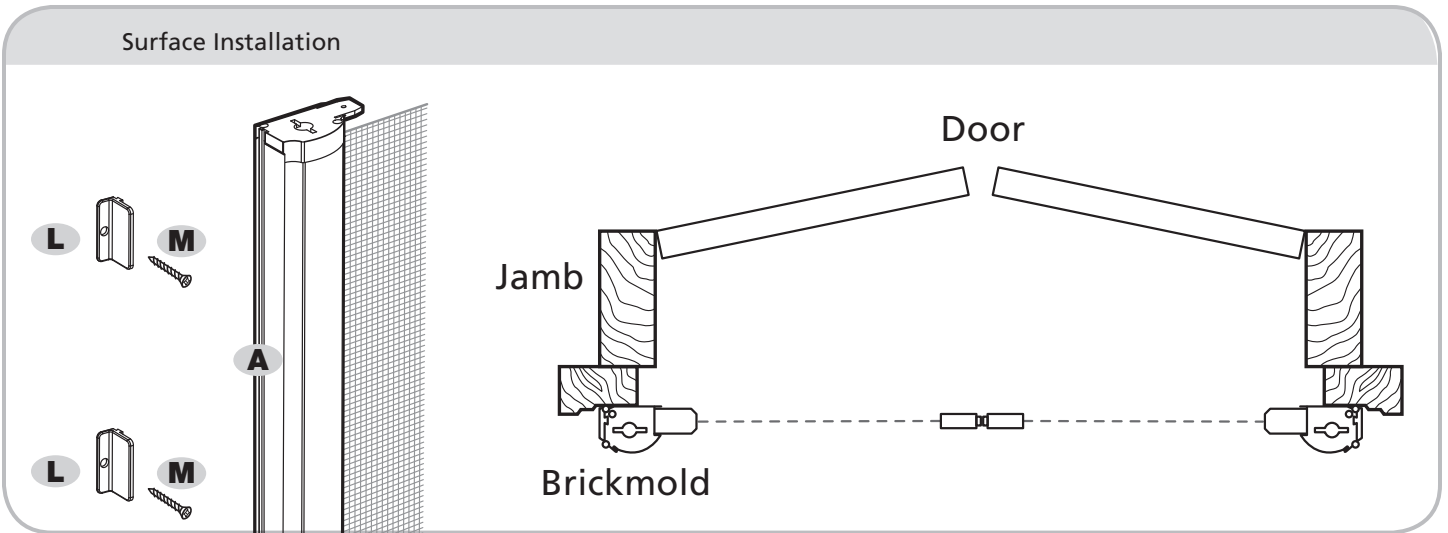


PART DESIGNATIONS

- | | | |
|--|--|--|
| A Screen Cassette Assembly | L Surface Mount Clips | Q Top Retainer Guide (can be installed on outer or inner side.) |
| B Bottom Guide Rail | M #8 x 3/4" (19mm) Phillips Panhead Screws | R Rubber Bumpers |
| C Top Guide Rail | N 1/8" (3mm) x 1-3/4" (44mm) Surface Mount Screws for Bottom Guide Rail | S Slide Bolt |
| G Handle | O Surface Mount Screw Cover Caps for Top Rail | T Bottom Slide Bolt Retainer |
| H Boot Body | P Pile Weather Strip | U Top Slide Bolt Retainer |
| I Boot Body End Cap | | V #4 x 3/8" (9.5mm) Phillips Panhead Screws |
| J #6 x 3/4" (19mm) Phillips Flathead Countersunk Screws for Boot Body End Cap | | |

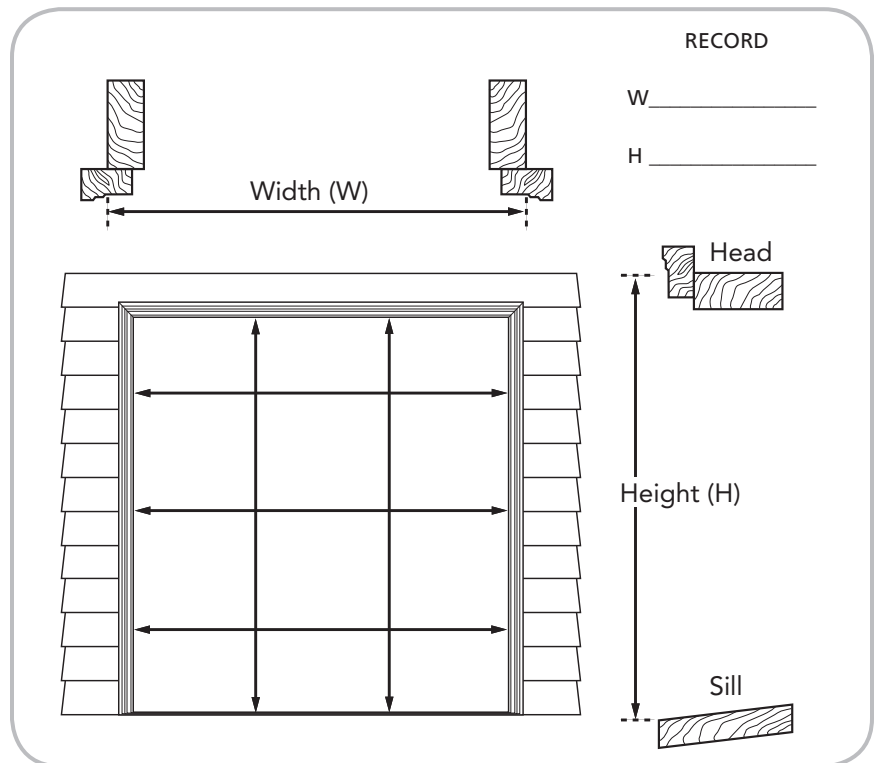
1 MOUNTING

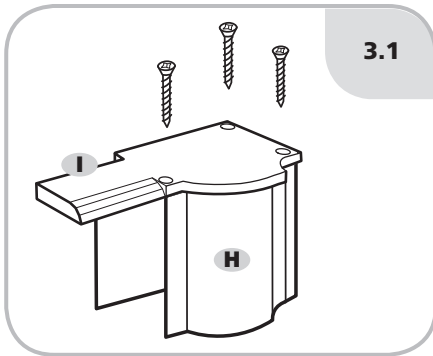
Surface / Flush Mount the A-Screen Cassette using L-Surface Mounting Clips.



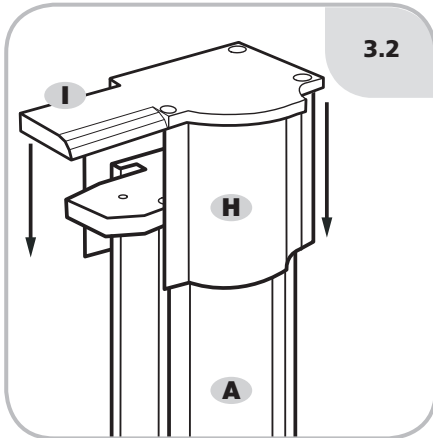
2 MEASURING

Place a small mark on the frame to indicate the outside alignment location where you wish to position the screen. Measure the opening width and height in several places and record the smallest width and height measurement.

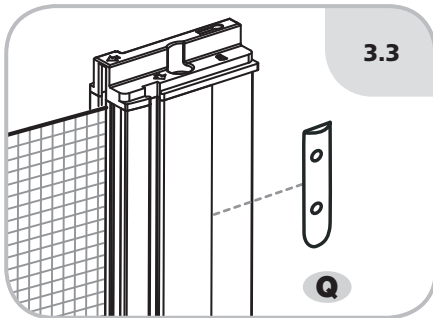




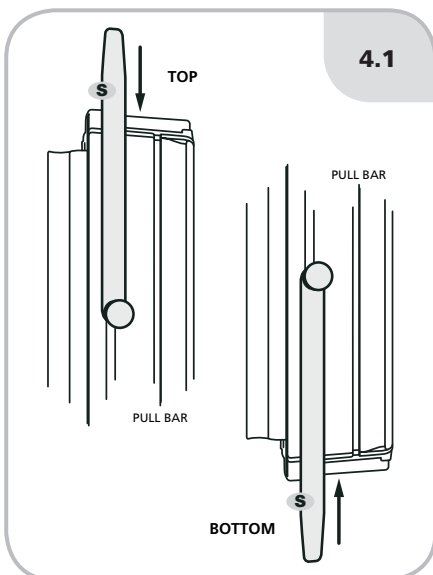
3.1



3.2



3.3



4.1

3 THE SCREEN CASSETTE

The **A-Screen Cassette Assembly** can be installed on either the right or left side of the door jamb by flipping the **Screen Cassette** (the rounded side of the Screen Cassette should face outward).

Determine which will be the top of the **H-Boot Body** [3.1] and attach the **I-Boot Body End Cap** on the desired top end using three (3) **J-#6 x 3/4" (19mm) Phillips Flathead Countersunk Screws**.

Slide the **H-Boot Body** onto what will be the top end of both **A-Screen Cassette Assemblies** [3.2].

Install the **Q-Top Retainer Guide** [3.3] by sliding it onto the top of both **Pull Bars (interior side)**. For now move the **Q-Top Retainer Guide** down about 6". It will be further adjusted in **STEP 11**.

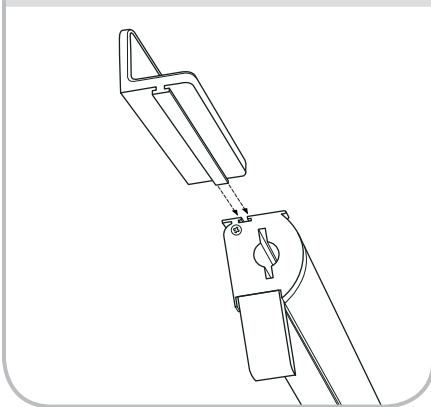
4 OPTIONAL • INSTALLING THE SLIDE BOLT ACCESSORY LOCK

Identify which of the two screen panels will be the one most often used to enter and exit the home. You will install the **Slide Bolt Accessory Lock** on the interior side of this inactive panel (the side less used).

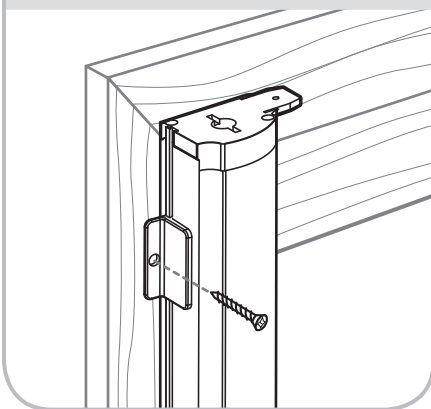
On the inactive panel loosen the **Allen head set screw** on the **Q-Top Retainer Guide**. Slide to remove the **Q-Top Retainer Guide** from the interior side of the pull bar **and then reinstall it in the same groove but on the opposite side of the pull bar (the exterior side)**. For now, slide the **Q-Top Retainer Guide** down about 4" so it is out of the way until it is adjusted and tightened in the final step.

In this same interior groove of the pull bar, **slide in an S-Slide Bolt at the bottom and then another at the top**. Make certain that the pointed end of each **Slide Bolt** faces out [4.1].

5.1 L-Clips for Surface Install



5.2 Surface Installation



5 **INSTALLING THE CASSETTES**

Remove and discard the **P-Pile/Weather Strip** from the back of **A-Screen Cassette**. Slide two **L-Surface Mount Clips** into the groove on the rear of both **Screen Cassettes** [5.1]. Position one of the **A-Screen Cassettes**, and use **M-#8 x 3/4" (19mm) Phillips Panhead Screws** to secure **L-Surface Mount Clips** to the opening [5.2]. The other **A-Screen Cassette** will be installed in **Step 8**.

6 **CUT THE TOP AND BOTTOM RAILS**

Using the measurements from Step 2,

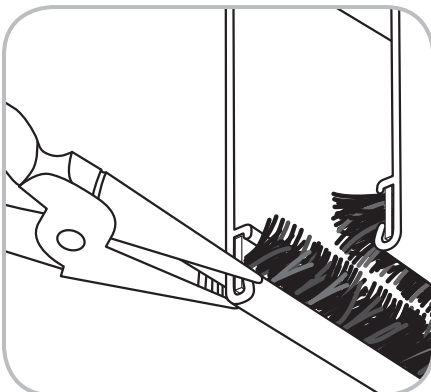
SUBTRACT 5" (127mm) FROM THE TOP GUIDE

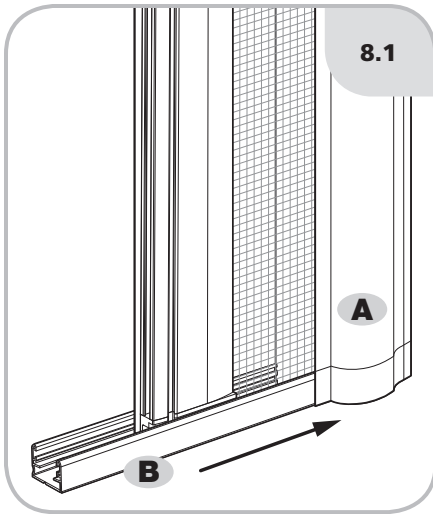
SUBTRACT 4-3/8" (111mm) FROM THE BOTTOM GUIDE

Cut the rails to size.

7 **CRIMP WEATHER STRIPS**

Crimp in the upraised channel lip on the inside of each corner of the **C-Top Guide Rail** and **B-Bottom Guide Rail** to keep the **P-Pile/Weather Strip** from moving, as shown at left.





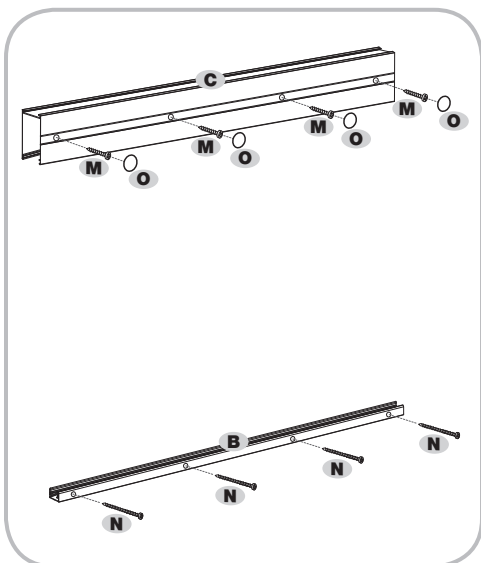
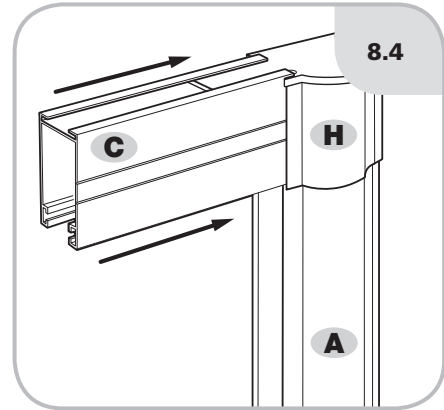
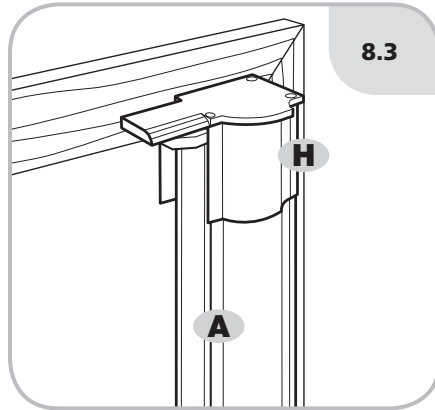
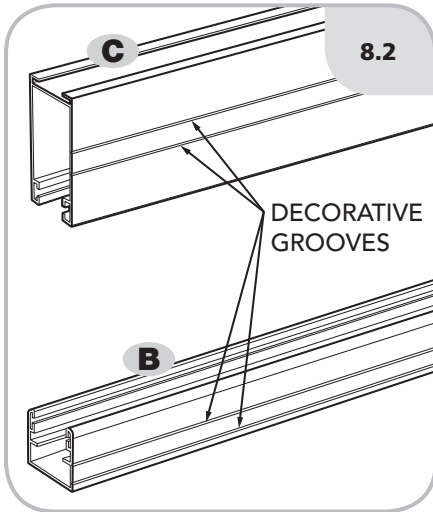
8

INSTALLING THE TOP AND BOTTOM GUIDE RAILS

Slide the **B-Bottom Guide Rail** fully onto the tab on the **A-Screen Cassette End Cap** [8.1] that was installed on the door frame in Step 5.

NOTE: The Bottom and Top Rails each have decorative grooves on one side. This groove should face the outside [8.2].

Slide the **H-Boot Body** upward on the **A-Screen Cassette** until it aligns with the desired alignment mark that you made on the frame [8.3]. Position the **C-Top Guide Rail** so that it rests on the **Pull Bar** of the **A-Screen Cassette Assembly** that has already been installed. Position and rest the opposite end of the **C-Top Guide Rail** on the pull bar of the second **A-Screen Cassette Assembly**. Move the second **A-Screen Cassette** to the door frame and fasten the cassette to the frame using the **L-Surface Mount Clips** and the **M-#8 x 3/4" (19mm) Phillips Panhead Screws** [5.2].



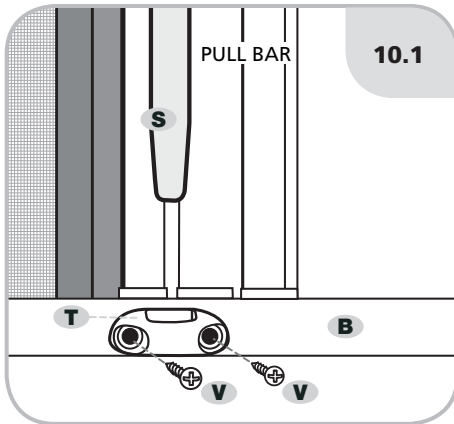
9

SECURE THE RAILS WITH SCREWS

Align the outside edge of both the **B-Bottom Guide Rail** and **C-Top Guide Rail** with the alignment mark on the door frame.

C-Top Guide Rail: Drill four (4) 3/8" (9.5mm) holes evenly spaced through the outside face only of the front surface of the **C-Top Guide Rail**. Using these larger holes as a guide, center and drill 1/8" (3mm) through the rear side of the rail. Using the larger 3/8" (9.5mm) holes for access, insert **M-#8 x 3/4" (19mm) Phillips Panhead Screws** into the 1/8" (3mm) holes to secure the **Top Guide Rail** to the frame. Complete the installation by inserting **O-Cover Caps** into the access holes.

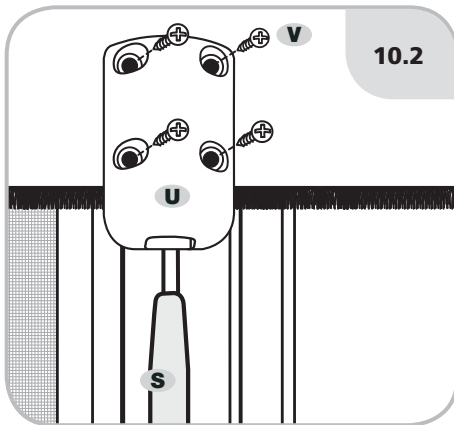
B-Bottom Guide Rail: Using the **Decorative Trim Groove** [8.2] as a guide (staying underneath the glide platforms inside the **Bottom Guide Rail**), drill four (4) 1/8" (3mm) holes evenly spaced and through both sides of the **B-Bottom Guide Rail**. Secure the rails to the frame using **N-1/8" (3mm) x 1-3/4" (44mm) Surface Mount Screws**. Do not over tighten.



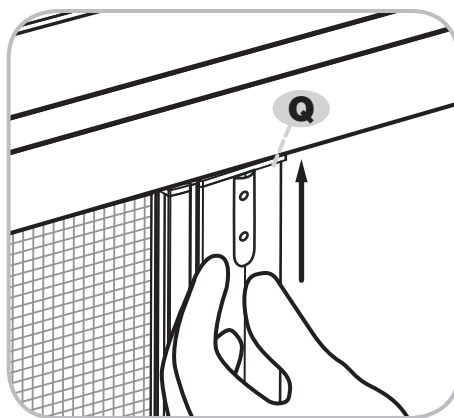
10 OPTIONAL • INSTALLING SLIDE BOLT RETAINERS (APPLICABLE ONLY IF STEP FOUR WAS IMPLEMENTED)

Close the screen doors. Now, on the **B-Bottom Guide Rail** and the **C-Top Guide Rail**, make pencil marks to the center of the channel in which you've installed the Slide Bolts.

Center the **T-Bottom Slide Bolt Retainer** to your channel mark, with the bottom of the **Retainer** flush to the bottom of the **B-Bottom Guide Rail**. Pencil mark the position for the screws, set the **Retainer** aside, and drill 1/8" holes. Then attach the **T-Bottom Slide Bolt Retainer** using (2) **V- #4 x 3/8" Phillips Panhead Screws** [10.1].



Position the **U-Top Slide Bolt Retainer** so that it also centers to the channel mark, with the bottom of the **Retainer** flush with the bottom of the **C-Top Guide Rail**. Pencil mark the position for the 4 screws, set aside the **Retainer** and drill 1/8" holes. Attach the **U-Top Slide Bolt Retainer** using (4) **V- #4 x 3/8" Phillips Panhead Screws** [10.2].



11 ADJUSTING THE TOP RETAINER GUIDE & HANDLES

Adjust the **Q-Top Retainer Guide(s)** so that they are positioned at the top of the **Pull Bar(s)** approximately 1/8" (3mm) below the top guide rail. Tighten **Allen-Head Set Screw**. Adjust the **G-Handle** heights by loosening the **Allen-Head Set Screw**, move the **G-Handle** as desired and retighten screw.

Note: the **Retainer Guide(s)** should **NOT** touch the **Top Guide Rail** when positioned correctly.



? Installation Questions ? Missing Parts ? Replacement Parts ?

DON'T GO BACK TO THE STORE!



TROUBLESHOOTING GUIDE

THE DOOR'S BOTTOM THRESHOLD SLOPES STEEPLY:

- ▶ The **Bottom Guide** will not work properly installed at an angle.
Use wedge shims to adjust the **Bottom Guide** until level.

SCREEN IS TORN OR DAMAGED:

- ▶ Replace the mesh using a **Screen Refill Kit**.

THE CLOSING MAGNETS DO NOT FULLY SEAL OR THE SCREEN DOES NOT CLOSE EVENLY:

- ▶ Clean the **Magnets** using mild soap and water.
- ▶ Clean any debris from inside the **Bottom Guide**. Debris can interfere with closing and smooth screen operation.
- ▶ Open the screen and check that the magnet that is located in the **Pull Bar** aligns with the magnetic strip in the **D-Dual-Mount Side Rail with Magnet**. To alter the alignment remove the **M-#8 x 3/4" (19mm) Phillips Panhead Screws** for the center of the **D-Dual-Mount Side Rail**. Flex the center of the **D-Dual-Mount Side Rail** 1/8" - 3/16" (3mm-4mm) toward the outside and then reinstall the **M-#8 x 3/4" (19mm) Phillips Panhead Screws**.