

READ THE COMPLETE INSTALLATION INSTRUCTIONS BEFORE PROCEEDING WITH INSTALLATION.



ESCAPE 100 SINGLE DOOR RETRACTABLE SCREEN DOOR INSTALLATION INSTRUCTIONS

See our installation video at
www.LARSONdoors.com/retractable_screens/escape

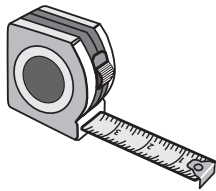


INSTALLATION TOOLS

PHILLIPS SCREWDRIVER



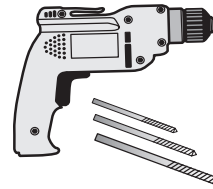
MEASURING TAPE



HAND-HELD OR POWER SAW



POWER DRILL & BITS



PLIERS



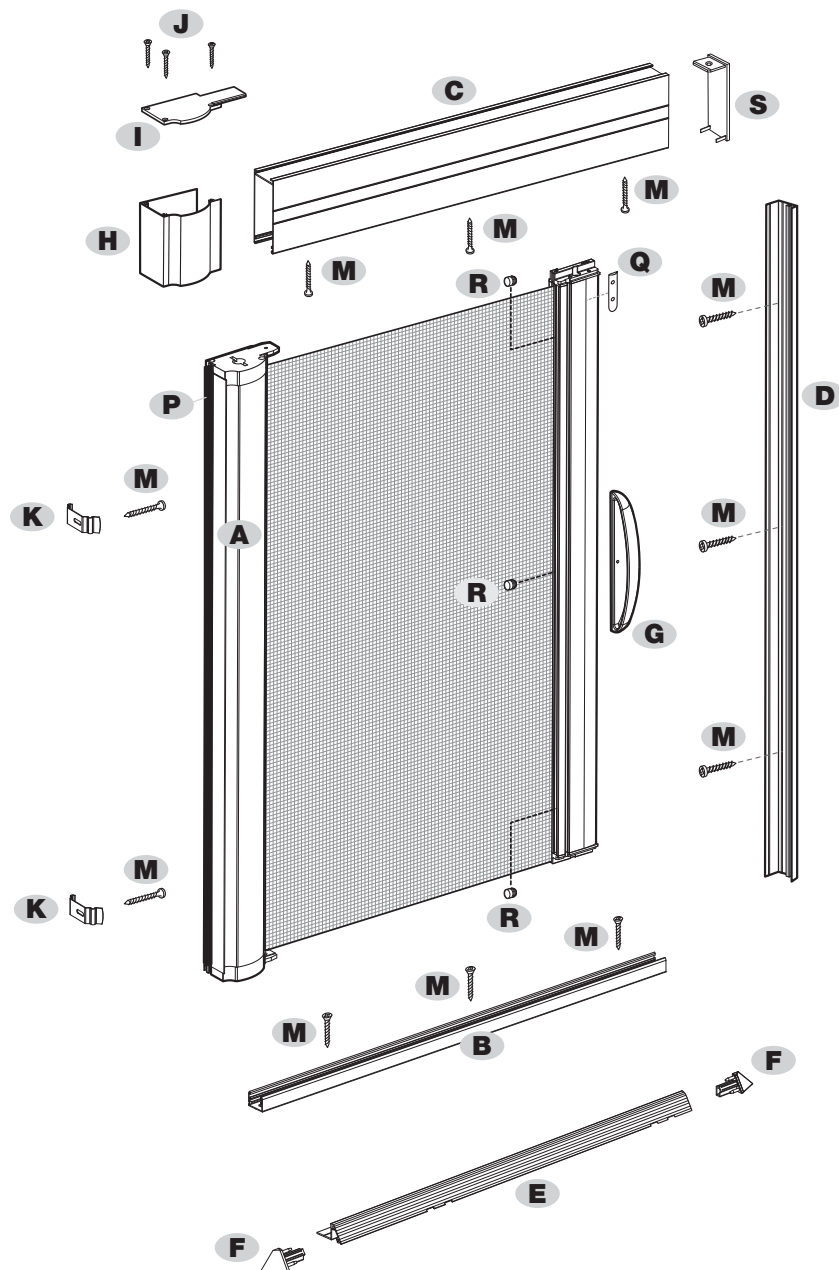
INTRODUCTION

The LARSON® ESCAPE retractable screen features a fully-assembled screen cassette pre-sized for opening sizes indicated on the packaging box. If the door opening is shorter than this product, contact LARSON for help with another product.

The instructions are divided into two sections based on the desired installation method.

Recess Installation: Page 2

Surface Installation: Page 6



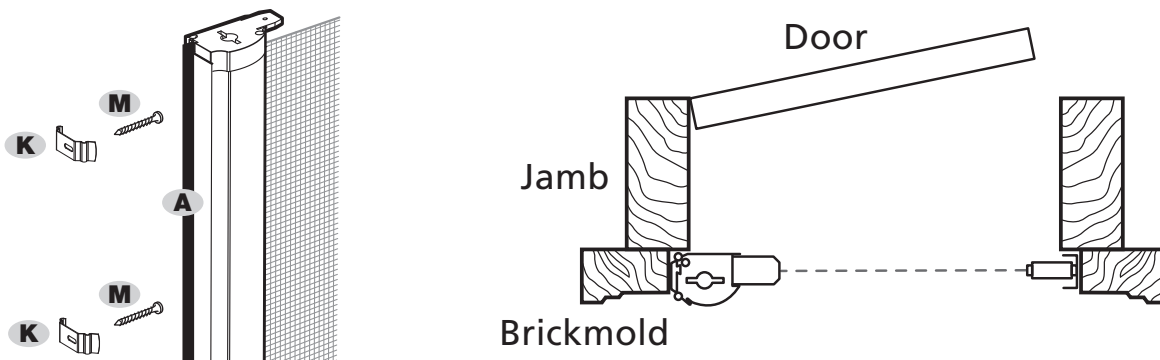
PART DESIGNATIONS

- A** Screen Cassette Assembly
- B** Bottom Guide Rail
- C** Top Guide Rail
- D** Dual-Mount Side Rail with Magnet
- E** Threshold Transition
- F** Threshold Transition End Caps
- G** Handle
- H** Boot Body
- I** Boot Body End Cap
- J** #6 x 3/4" (19mm) Phillips Flathead Countersunk Screws for Boot Body End Cap
- K** Recess Mounting Clips
- M** #8 x 3/4" (19mm) Phillips Panhead Screws
- P** Weather Strip
- Q** Top Retainer Guide
- R** Rubber Bumpers
- S** Optional • Top Guide Rail End Cap

1 RECESS INSTALLATION MOUNTING LOCATION

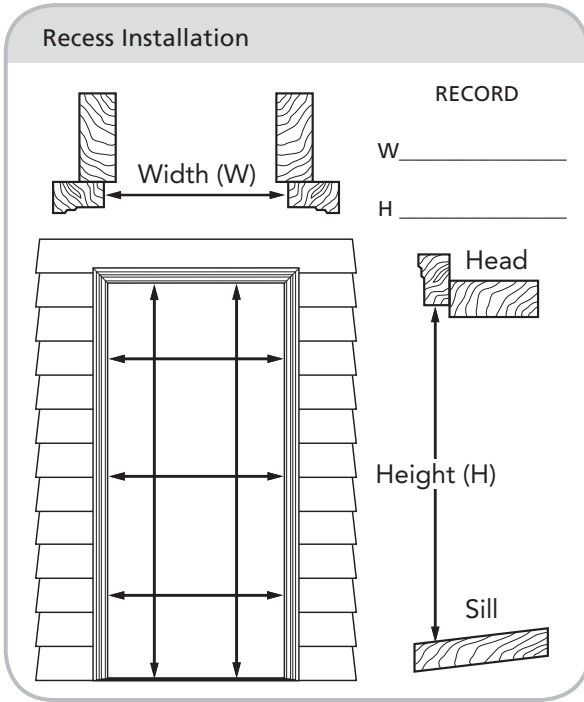
The Screen Cassette will be mounted using Recess Mounting Clips inside the door frame.

1 Recess Installation



2 MEASURE THE OPENING

Measure the opening width and height in several places and record the smallest width and height measurement. Verify the height of the opening falls within the size range printed on the box label packaging.



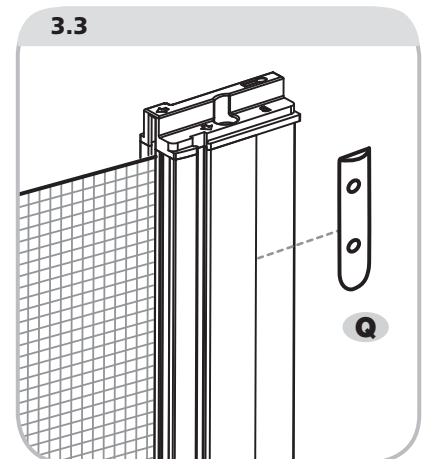
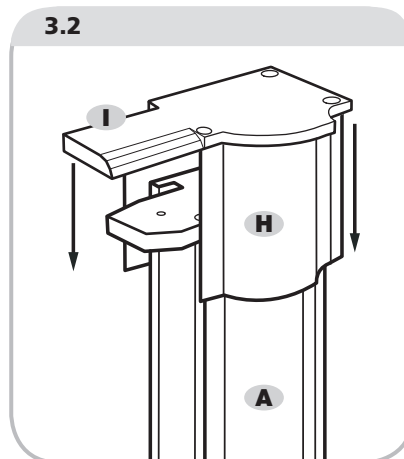
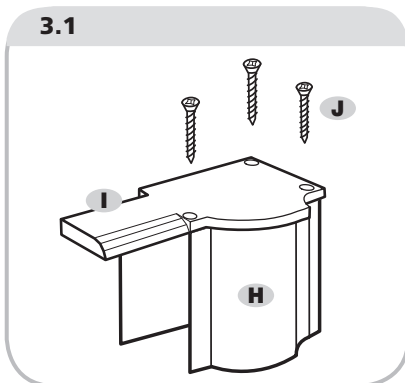
3 THE SCREEN CASSETTE

The **Screen Cassette Assembly** can be installed on either the right or left side of the door frame by flipping the **Screen Cassette** end for end. The rounded side of the **Screen Cassette** should face outward.

Determine which end of the **Boot Body** [3.1] will be the top and attach the **Boot Body End Cap** using three #6 x 3/4" (19mm) Phillips Flathead Countersunk Screws.

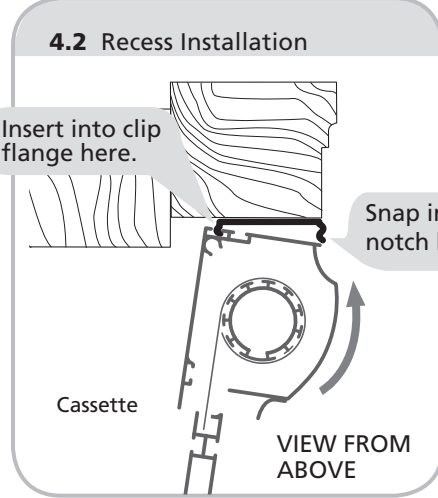
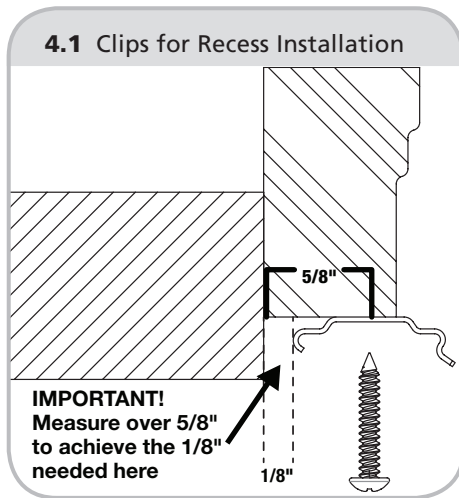
Slide the **Boot Body** onto what will be the top end of the **Screen Cassette Assembly** [3.2].

Install the **Top Retainer Guide** [3.3] by sliding it onto the top of the **Pull Bar** (interior side). For now move the **Top Retainer Guide** down about 6". It will be further adjusted in **STEP 10**.



4 INSTALL THE CASSETTE

Measure over 5/8" and install #8 x 3/4" (19mm) Phillips Panhead Screws. Install the Recess Mounting Clips 16" from the top and bottom of the door opening [4.1]. Lock the Screen Cassette onto the mounting clips [4.2].



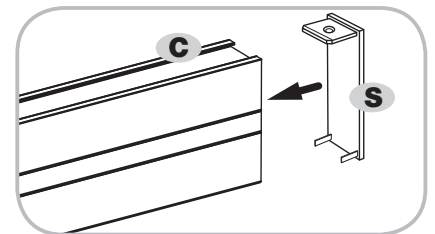
5 CUT THE TOP AND BOTTOM RAILS

Using the width measurements taken in Step 2:

SUBTRACT 2-1/2" (63MM) FROM THE WIDTH TO DETERMINE THE LENGTH OF THE TOP GUIDE RAIL

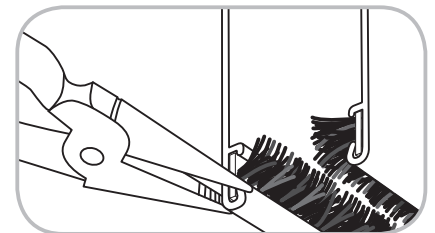
SUBTRACT 2-1/4" (57MM) FROM THE WIDTH TO DETERMINE THE LENGTH OF THE BOTTOM GUIDE RAIL

Cut the rails to length. Trim woolpile 1/2" shorter than top guide. Install the Top Guide Rail End Cap as shown (optional).



6 CRIMP WEATHER STRIPS

Crimp the channel lip on the inside of each end of the Top Guide Rail to prevent the Weather Strip from moving.

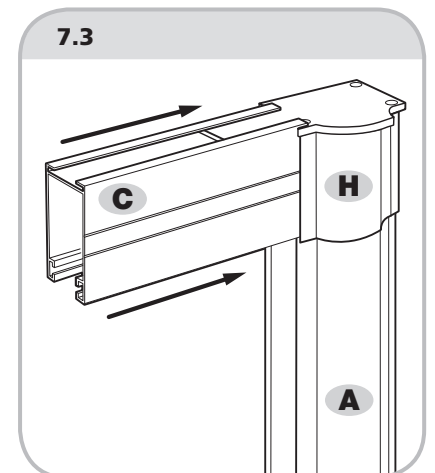
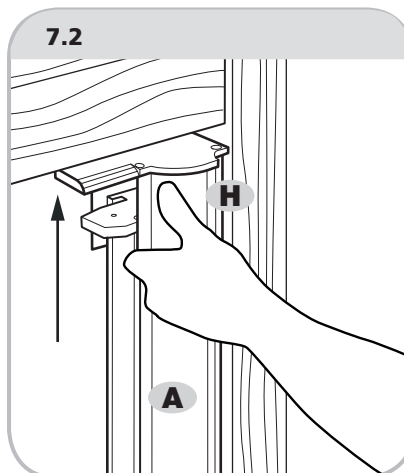
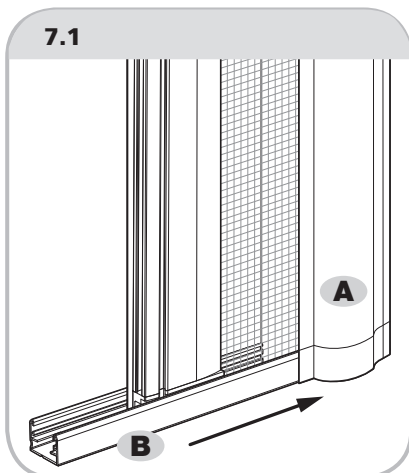


7 INSTALL THE TOP AND BOTTOM GUIDE RAILS

Slide the Bottom Guide Rail fully onto the tab on the Screen Cassette End Cap [7.1].

Slide the Boot Body upward on the Screen Cassette until it rests snug against the top of the door opening [7.2].

Slide the Top Guide Rail onto the tab of the Boot Body End Cap [7.3].

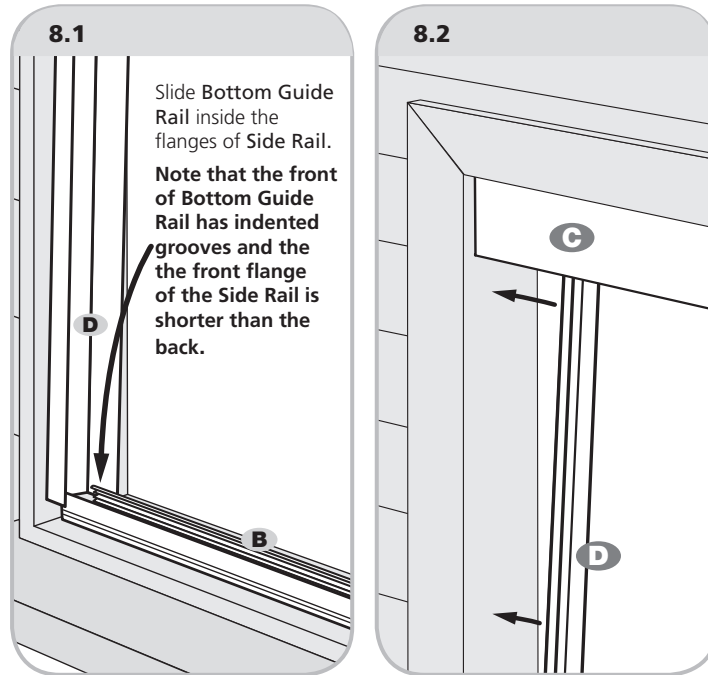


8 POSITION SIDE RAIL WITH MAGNET

Angle the Side Rail behind and over the Bottom Guide Rail, so that the Bottom Guide Rail is positioned inside the flanges of the Side Rail [8.1].

At the top, the Side Rail fits *inside* the flanges of the Top Guide Rail [8.2]. Position the Side Rail against the frame.

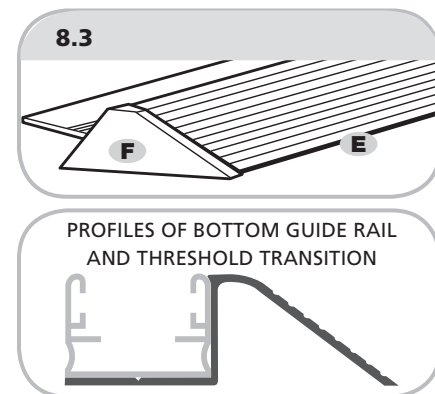
NOTE: Select models have pre-drilled holes on the Side Rail and Top Rail.



OPTIONAL THRESHOLD TRANSITION – RECESS MOUNT ONLY

Before securing the Bottom Guide Rail, you may choose to install the Threshold Transition (with Threshold Transition End Caps) [8.3]. This optional step protects the bottom guide rail and it is also an aesthetic feature. The Threshold Transition may be installed toward the interior or exterior of the home.

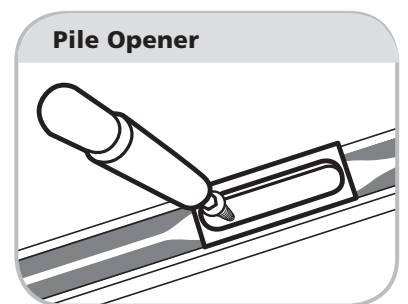
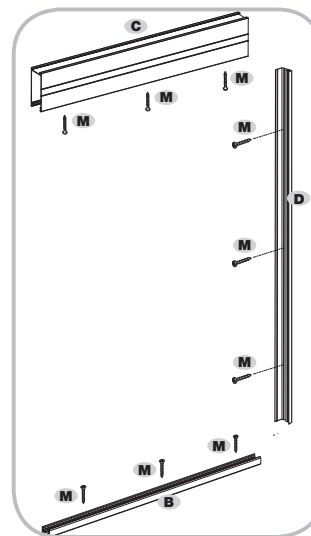
To install, cut the Threshold Transition to the door opening width, less 4-1/4" (114mm). Insert the Threshold Transition End Caps, and slide the lip of the Threshold Transition under the Bottom Guide Rail.



9 SECURE THE RAILS WITH SCREWS

Secure the Bottom Guide Rail, Top Guide Rail and Side Rail with Magnet with 3 #8 x 3/4" (19mm) Phillips Panhead Screws each. Position screws 6 inches (150mm) from each end and center the middle screw.

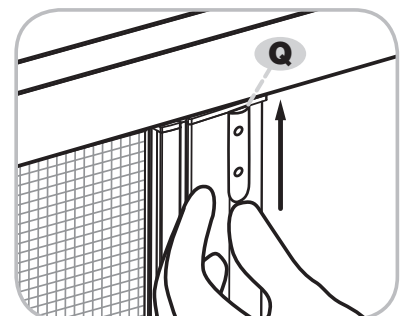
When installing the Bottom and Top Guide Rail, use the convenient Pile Opener included with this kit, to temporarily separate the two insect piles. This will make for easier viewing and installation of the screws.

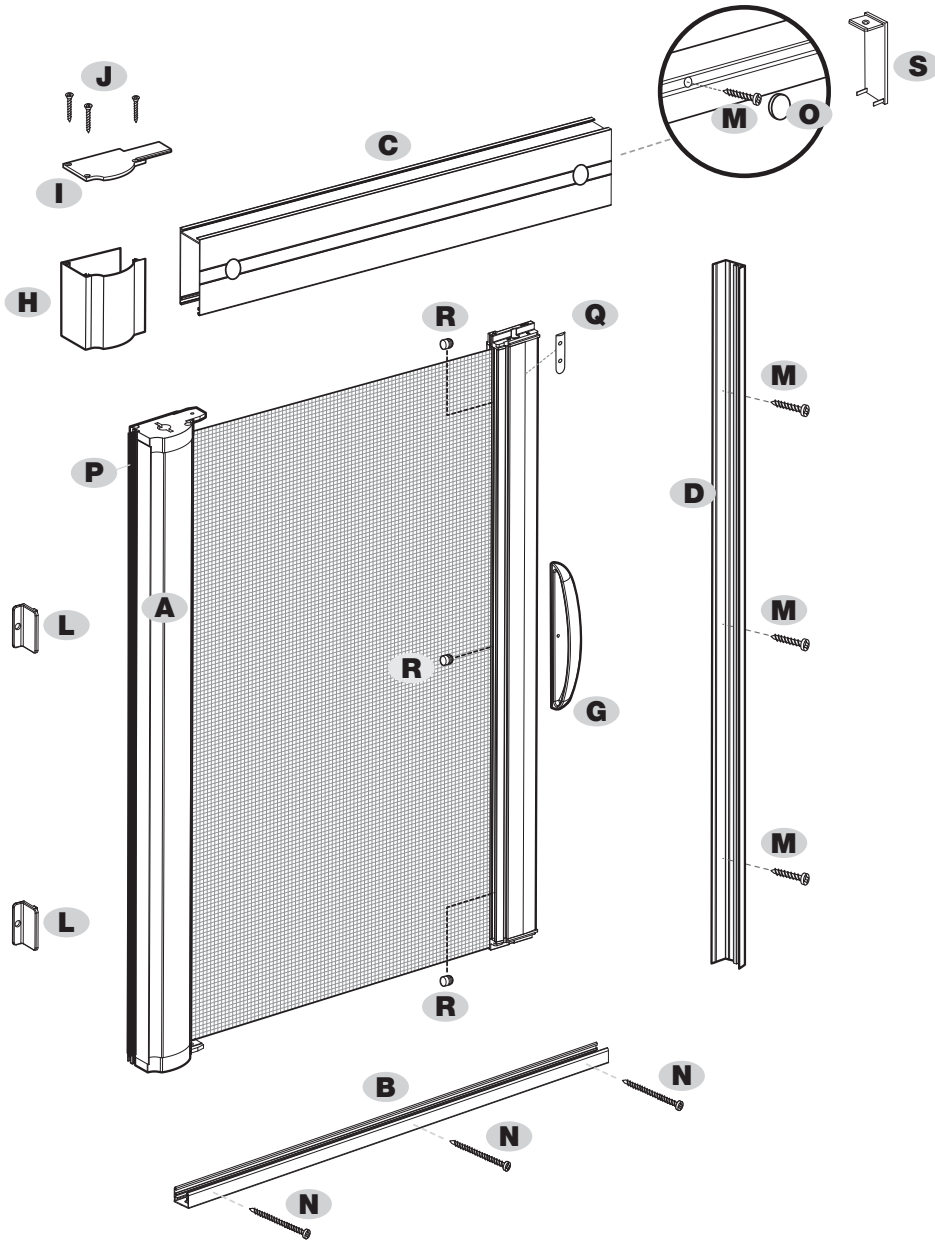


10 ADJUST THE TOP RETAINER GUIDE & HANDLES

Adjust the Top Retainer Guide so that it is positioned at the top of the Pull Bar approximately 1/8" (3mm) below the top guide rail. Tighten Allen-Head Set Screw. Adjust the Handle heights by loosening the Allen-Head Set Screw, moving the Handle as desired and retightening the screw.

Note: the Retainer Guide should NOT touch the Top Guide Rail when positioned correctly.





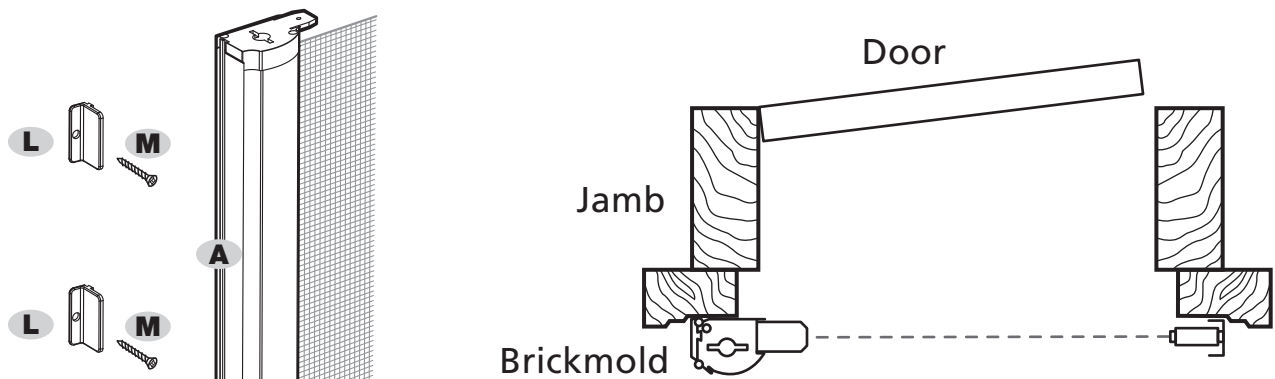
PART DESIGNATIONS

- A** Screen Cassette Assembly
- B** Bottom Guide Rail
- C** Top Guide Rail
- D** Dual-Mount Side Rail with Magnet
- G** Handle
- H** Boot Body
- I** Boot Body End Cap
- J** #6 x 3/4" (19mm) Phillips Flathead Countersunk Screws for Boot Body End Cap
- L** Surface Mount Clips
- M** #8 x 3/4" (19mm) Phillips Panhead Screws
- N** 1/8" (3mm) x 1-3/4" (44mm) Surface Mount Screws for Bottom Guide Rail
- O** Surface Mount Screw Cover Caps for Top Rail
- P** Weather Strip
- Q** Top Retainer Guide
- R** Rubber Bumpers
- S** Top Guide Rail End Cap

1 SURFACE INSTALLATION MOUNTING LOCATION

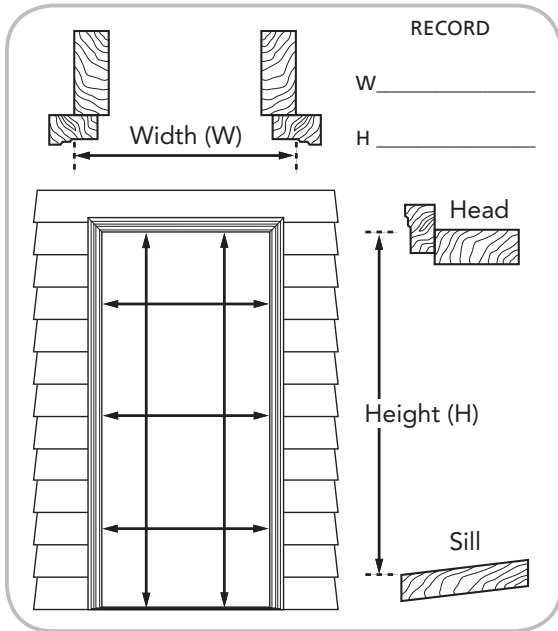
The Screen Cassette will be surface or flush mounted using Surface Mounting Clips on the face of the door frame.

Surface Installation



2 MEASURE

Measure the mounting width and height in several places and record the smallest width and height measurement. Verify the height of the opening falls within the size range printed on the box label packaging.



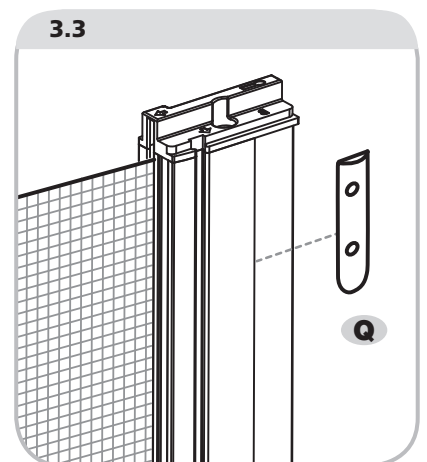
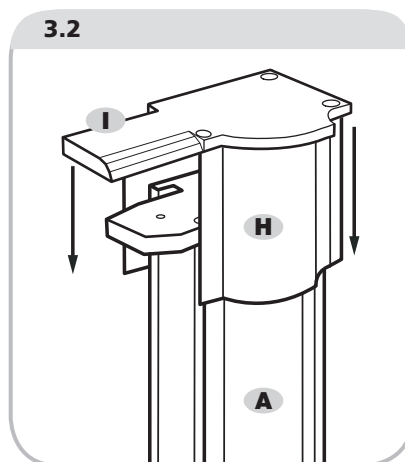
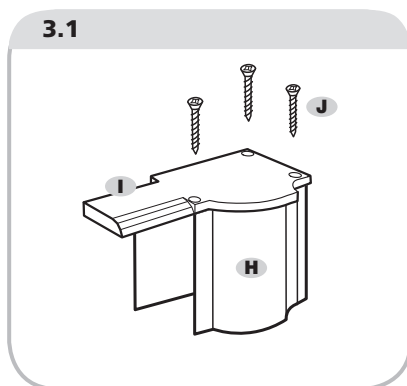
3 THE SCREEN CASSETTE

The **Screen Cassette Assembly** can be installed on either the right or left side of the door frame by flipping the **Screen Cassette** end for end. The rounded side of the Screen Cassette should face outward.

Determine which end of the **Boot Body** [3.1] will be the top and attach the **Boot Body End Cap** using three #6 x 3/4" (19mm) Phillips Flathead Countersunk Screws.

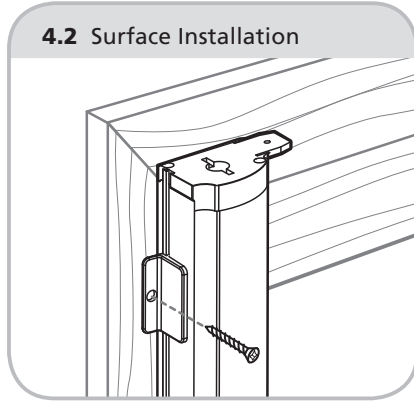
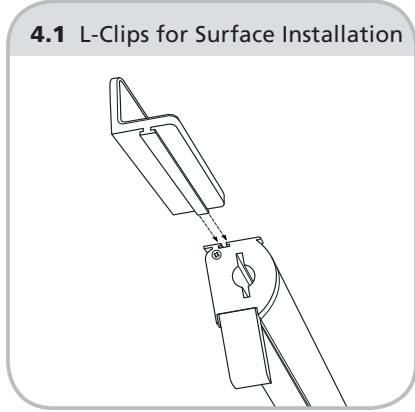
Slide the **Boot Body** onto what will be the top end of the **Screen Cassette Assembly** [3.2].

Install the **Top Retainer Guide** [3.3] by sliding it onto the top of the **Pull Bar** (interior side). For now move the **Top Retainer Guide** down about 6". It will be further adjusted in **STEP 10**.



4 INSTALL THE CASSETTE

Remove and discard the **Weather Strip** from the back of the **Screen Cassette**. Slide two **Surface Mount Clips** into the groove on the rear of the **Screen Cassette**, approximately 16" from each end [4.1]. Position the **Screen Cassette** on the door frame, and use **#8 x 3/4" (19mm) Phillips Panhead Screws** to secure **Surface Mount Clips** to the opening [4.2].



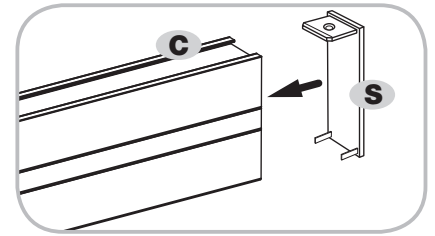
5 CUT THE TOP AND BOTTOM RAILS

Using the width measurements taken in Step 2:

SUBTRACT 2-1/2" (63MM) FROM THE WIDTH TO DETERMINE THE LENGTH OF THE TOP GUIDE RAIL

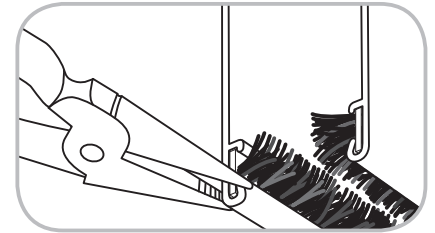
SUBTRACT 2-1/4" (57MM) FROM THE WIDTH TO DETERMINE THE LENGTH OF THE BOTTOM GUIDE RAIL

Cut the rails to length. Trim woolpile 1/2" shorter than top guide. Install the **Top Guide Rail End Cap** as shown.



6 CRIMP WEATHER STRIPS

Crimp the channel lip on the inside of each end of the **Top Guide Rail** to prevent the **Weather Strip** from moving.

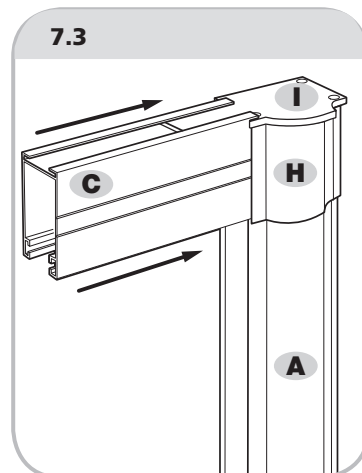
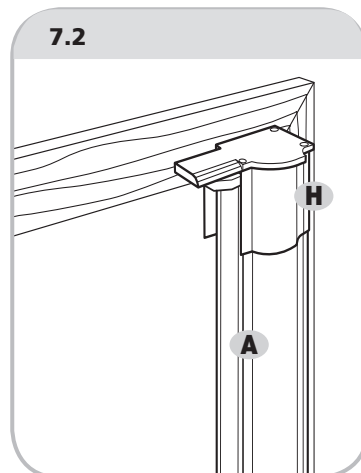
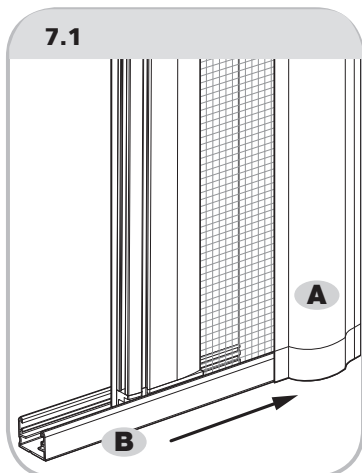


7 INSTALL THE TOP AND BOTTOM GUIDE RAILS

Slide the **Bottom Guide Rail** fully onto the tab on the **Screen Cassette End Cap** [7.1].

Slide the **Boot Body** upward on the **Screen Cassette** until it rests snug against the top of the door opening [7.2].

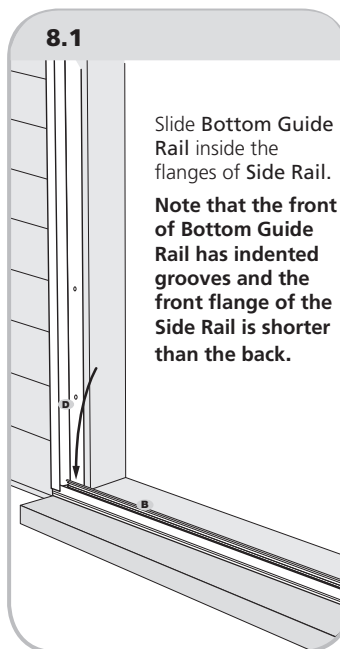
Slide the **Top Guide Rail** onto the tab of the **Boot Body End Cap** [7.3].



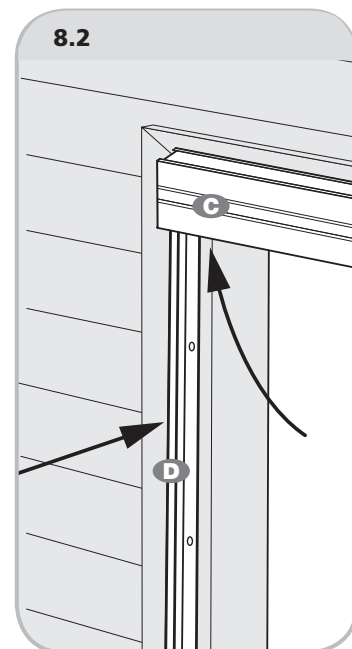
8 POSITION SIDE RAIL WITH MAGNET

Angle the **Side Rail with Magnet** behind and over the **Bottom Guide Rail**, so that the **Bottom Rail Guide** is positioned inside the flanges of the **Side Rail** [8.1].

At the top, the **Side Rail** fits *inside* the flanges of the **Top Guide Rail** [8.2]. Position the **Side Rail** against the frame.



Slide **Bottom Guide Rail** inside the flanges of **Side Rail**.
Note that the front of Bottom Guide Rail has indented grooves and the front flange of the Side Rail is shorter than the back.

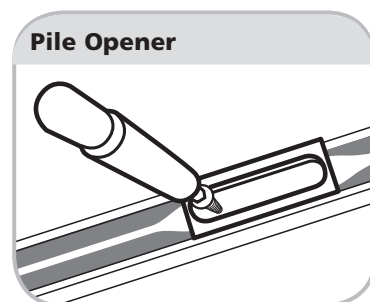
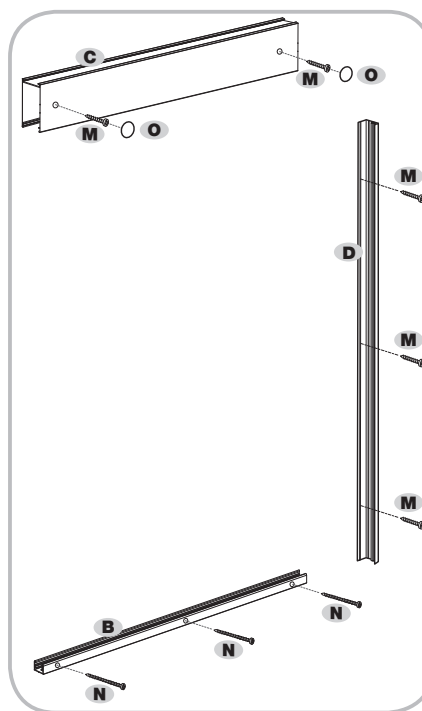


9 SECURE THE RAILS WITH SCREWS

Top Guide Rail Drill 2 3/8" (9.5mm) holes evenly spaced through **outside face only** of the **Top Guide Rail**. Using these holes as a guide, drill 1/8" (3mm) holes through the rear side of the Rail. Using the larger 3/8" (9.5mm) holes for access, insert screws into the 1/8" (3mm) holes and secure the Rail to the entry with 2 #8 x 3/4" (19mm) **Phillips Panhead Screws**. Complete the installation by inserting **Cover Caps for Top Rail** into access holes.

Bottom Guide Rail Staying underneath the glide platforms inside the **Bottom Guide Rail**, drill 3 1/8" (3mm) holes evenly spaced through both sides of the **Bottom Guide Rail**. Secure the rail to the entry with N-1/8" (3mm) x 1-3/4" (44mm) **Surface Mount Screws**. Do not over tighten.

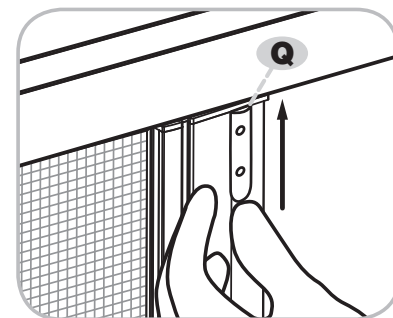
Side Guide Rail with Magnet Secure with 3 #8 x 3/4" (19mm) **Phillips Panhead Screws**.



10 ADJUSTING THE TOP RETAINER GUIDE & HANDLES

Adjust the **Top Retainer Guide** so that it is positioned at the top of the **Pull Bar** approximately 1/8" (3mm) below the top guide rail. Tighten **Allen-Head Set Screw**. Adjust the **Handle** heights by loosening the **Allen-Head Set Screw**, moving the **Handle** as desired, and retightening the screw.

Note: the Retainer Guide should NOT touch the Top Guide Rail when positioned correctly.



STOP

Installation Questions ? Missing Parts ? Replacement Parts ?

DON'T GO BACK TO THE STORE!

Please call our Homeowner Helpline @ 1-888-483-3768

STOP**TROUBLESHOOTING GUIDE****THE DOOR'S BOTTOM THRESHOLD SLOPES STEEPLY:**

- ▶ The **Bottom Guide** will not work properly if installed at an angle.
Use wedge shims to adjust the **Bottom Guide** until level.

SCREEN IS TORN OR DAMAGED:

- ▶ Replace the mesh using a **Screen Refill Kit**.

**THE CLOSING MAGNETS DO NOT FULLY SEAL OR THE
SCREEN DOES NOT CLOSE EVENLY:**

- ▶ Clean the **Magnets** using mild soap and water.
- ▶ Clean any debris from inside the **Bottom Guide**. Debris can interfere with closing and smooth screen operation.
- ▶ Open the screen and check that the magnet located in the **Pull Bar** aligns with the magnetic strip in the **Dual-Mount Side Rail with Magnet**.

To alter the alignment remove the **#8 x 3/4"(19mm) Phillips Panhead Screws** for the center of the **Dual-Mount Side Rail**. Flex the center of the **Dual-Mount Side Rail** 1/8" - 3/16" (3mm-4mm) toward the outside and then reinstall the **#8 x 3/4"(19mm) Phillips Panhead Screws**.

RECORD YOUR PRODUCT REGISTRATION NUMBER HERE: _____

Sticker is located on edge of opening in screen cassette.